

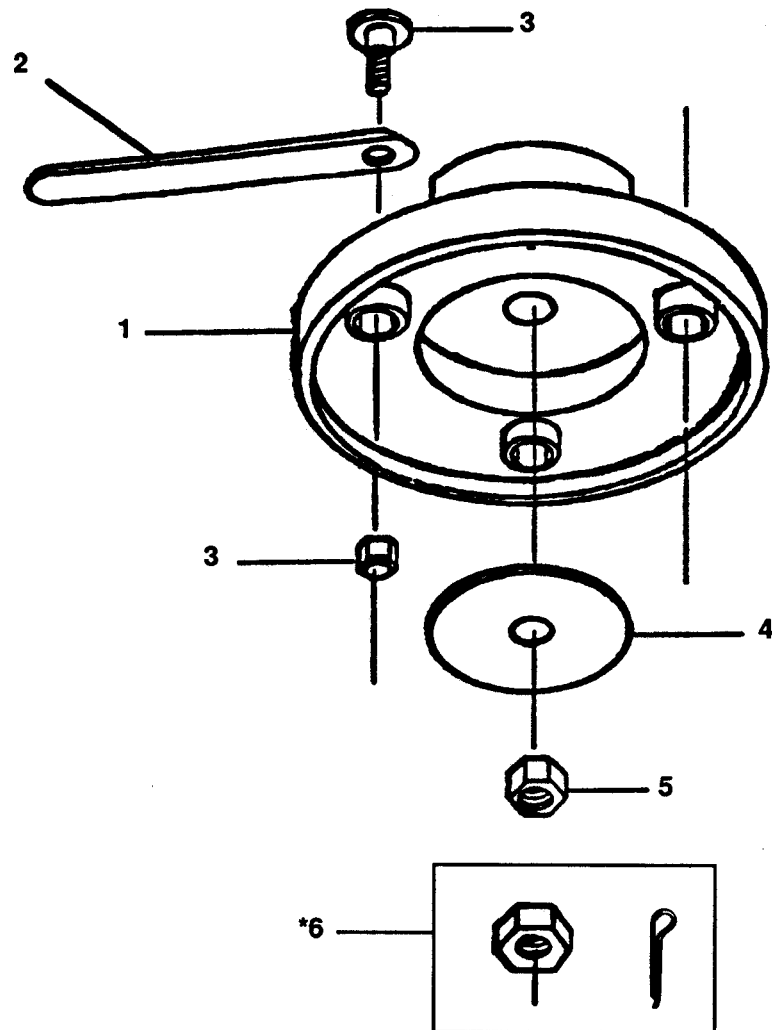


MAXI-CUT

PART NUMBER: 215111

***WEED BUTCHER**

PART NUMBER: 215100



| KEY | PART NUMBER | DESCRIPTION | MODELS USED ON |
|-----|--------------|--------------------------|-----------------------|
| 1 | N/A | Body, Head (use 215111) | GT-140/A/B GT-2100 |
| 1A | N/A | Body, Head (use 215100) | GT-160/A/AE GT-2101 |
| 2/A | 215112 | Blade Set (3) | GT-200/A/AE GT-2102 |
| 3/A | 215113 | Blade Fastener Set (3) | GT-200B/BE/CE GT-2103 |
| 4 | 215103 | Mounting Washer | GT-230 GT-2400 |
| 5 | 215104 | Mounting Nut (GT Units) | GT-1000 SRM-140D/DA |
| *6 | 90030020022 | Cotter Pin (SRM Units) | GT-1100/A SRM-210AE/E |
| | 900511 00010 | Mounting Nut (SRM Units) | GT-2000/2000SB |