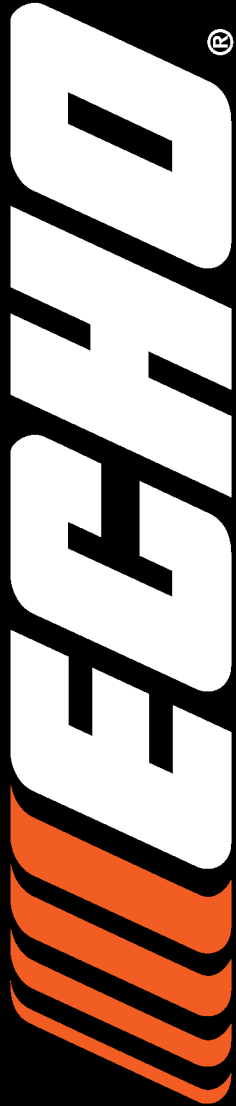


# SRM-265T Trimmer

Recortadora  
25.4cc

S/N: S73511001001 - S73511999999



### Optional Attachments & Accessories Accesorios

|                              |             |
|------------------------------|-------------|
| SRM Shoulder Harness Kit     | 99944200200 |
| U-Handle Kit                 | 99944200675 |
| Tiller/Cultivator Attachment | SRAC-200    |

### Accesorios & Accesorios Opcionales Accesorios

|                                   |
|-----------------------------------|
| Kit de Arnés Para El Hombro (SRM) |
| Kit de Mango en U                 |
| Aditamento de motoazadón          |

### Cutting Heads

|                                  |             |
|----------------------------------|-------------|
| Pro Maxi-Cut Head                | 215511      |
| ECHOMATIC Pro Head               | 21560031    |
| ECHOMATIC Head                   | 21560050    |
| 2-Line Rapid Loader Trimmer Head | 21560056    |
| SRM Manual Dual Line Head        | 21560060    |
| 3-Line Rapid Loader Head         | 99944200221 |
| Heavy Duty Fixed Line Head       | 99944200225 |
| SRM ECHOMATIC II Head            | 99944200250 |
| SPEED-FEED 375 Trimmer Head      | 99944200902 |

### Cabezas cortadoras

|   |
|---|
| Cabeza Pro Maxi-Cut                               |
| ECHOMATIC Pro Head                                |
| ECHOMATIC Head                                    |
| Cabeza Rapid Loader de Recortadora, de 2 cordones |
| SRM Manual Dual Line Head                         |
| Cabeza Rapid Loader de Recortadora, de 3 Cordones |
| Cabeça de Linha Fixa para Serviço Pesado          |
| SRM ECHOMATIC II Head                             |
| Cabeza SPEED-FEED 375 de Recortadora              |

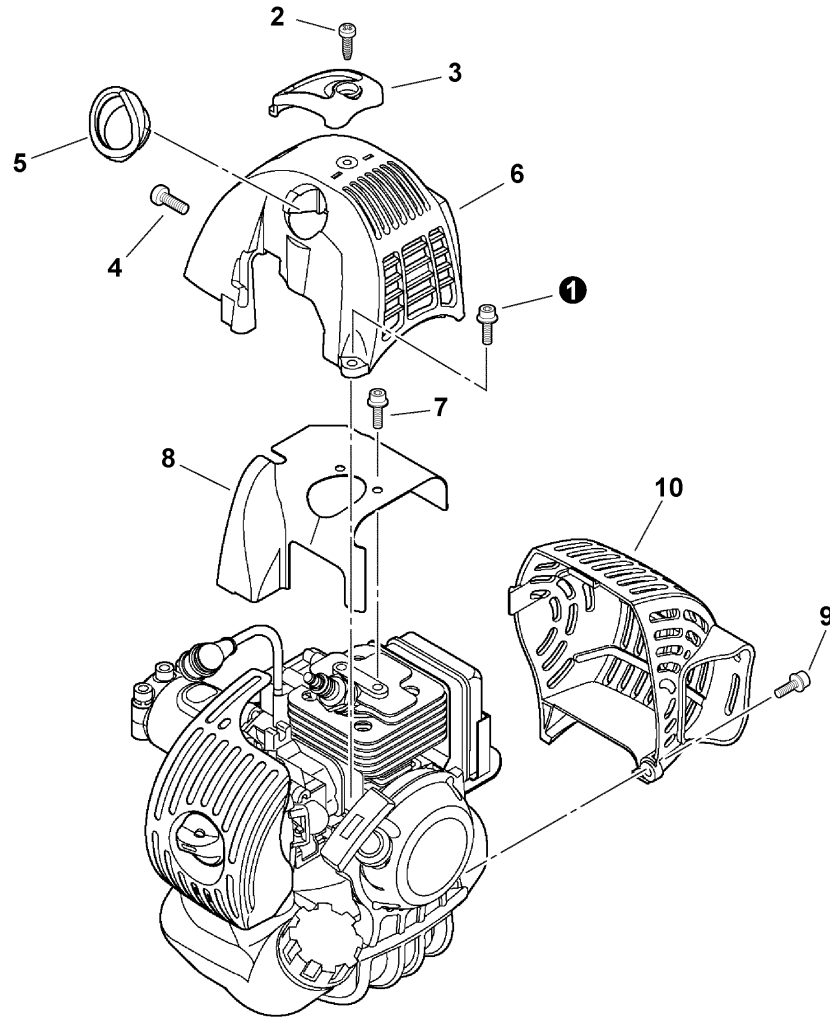
**TABLE OF CONTENTS - CONTENIDO**

*Click Any Diagram Description Below To View That Diagram*  
*Chasque cualquier descripción del diagrama abajo para ver ese diagrama*

|   |           |
|---|-----------|
| <b>Covers</b> .....                                 | <b>3</b>  |
| Cubiertas   |           |
| <b>Fuel System</b> .....                            | <b>4</b>  |
| Sistema de Combustible                              |           |
| <b>Fan Case, Clutch</b> .....                       | <b>5</b>  |
| Carcasa del Ventilador, Embrague                    |           |
| <b>Starter -- i-30</b> .....                        | <b>6</b>  |
| Arrancador -- i-30                                  |           |
| <b>Intake</b> .....                                 | <b>7</b>  |
| Admisión  |           |
| <b>Carburetor -- RB-K84</b> .....                   | <b>8</b>  |
| Carburador -- RB-K84                                |           |
| <b>Exhaust</b> .....                                | <b>10</b> |
| Escape  |           |
| <b>Flywheel, Ignition</b> .....                     | <b>11</b> |
| Volante, Ignición                                   |           |
| <b>Engine, Short Block -- SB1090</b> .....          | <b>12</b> |
| Motor, bloque corto -- SB1090                       |           |
| <b>ECHOMATIC Head -- 21560050</b> .....             | <b>13</b> |
| Cabeza ECHOMATIC de Recortadora -- 21560050         |           |
| <b>Debris Shield - Plastic</b> .....                | <b>14</b> |
| Protector Contra Residuos - Plástico                |           |
| <b>Gear Case</b> .....                              | <b>15</b> |
| Caja de Angranajes                                  |           |
| <b>Front Handle</b> .....                           | <b>16</b> |
| Mango delantero                                     |           |
| <b>Control Handle, Control Cable Assembly</b> ..... | <b>17</b> |
| Mango de Control, conjunto del cable de control     |           |
| <b>Main Pipe Assembly, Driveshaft</b> .....         | <b>18</b> |
| Conjunto del Tubo Principal, Eje de Mando           |           |
| <b>Labels</b> .....                                 | <b>19</b> |
| Etiquetas   |           |
| <b>P021011000 GASKET KIT</b> .....                  | <b>20</b> |
| P021011000 Kit de Juntas                            |           |
| <b>90010 RePower CAP AND VENT KIT</b> .....         | <b>21</b> |
| 90010 Kit del Caquillo y del Respiradero            |           |
| <b>90105 RePower FUEL SYSTEM KIT</b> .....          | <b>22</b> |
| 90105 RePower FUEL SYSTEM KIT                       |           |
| <b>90152 RePower TUNE-UP KIT</b> .....              | <b>23</b> |
| 90152 Kit de Puesta a Punto                         |           |
| <b>Part Number Index</b> .....                      | <b>24</b> |
| Índice Del Número De Parte                          |           |

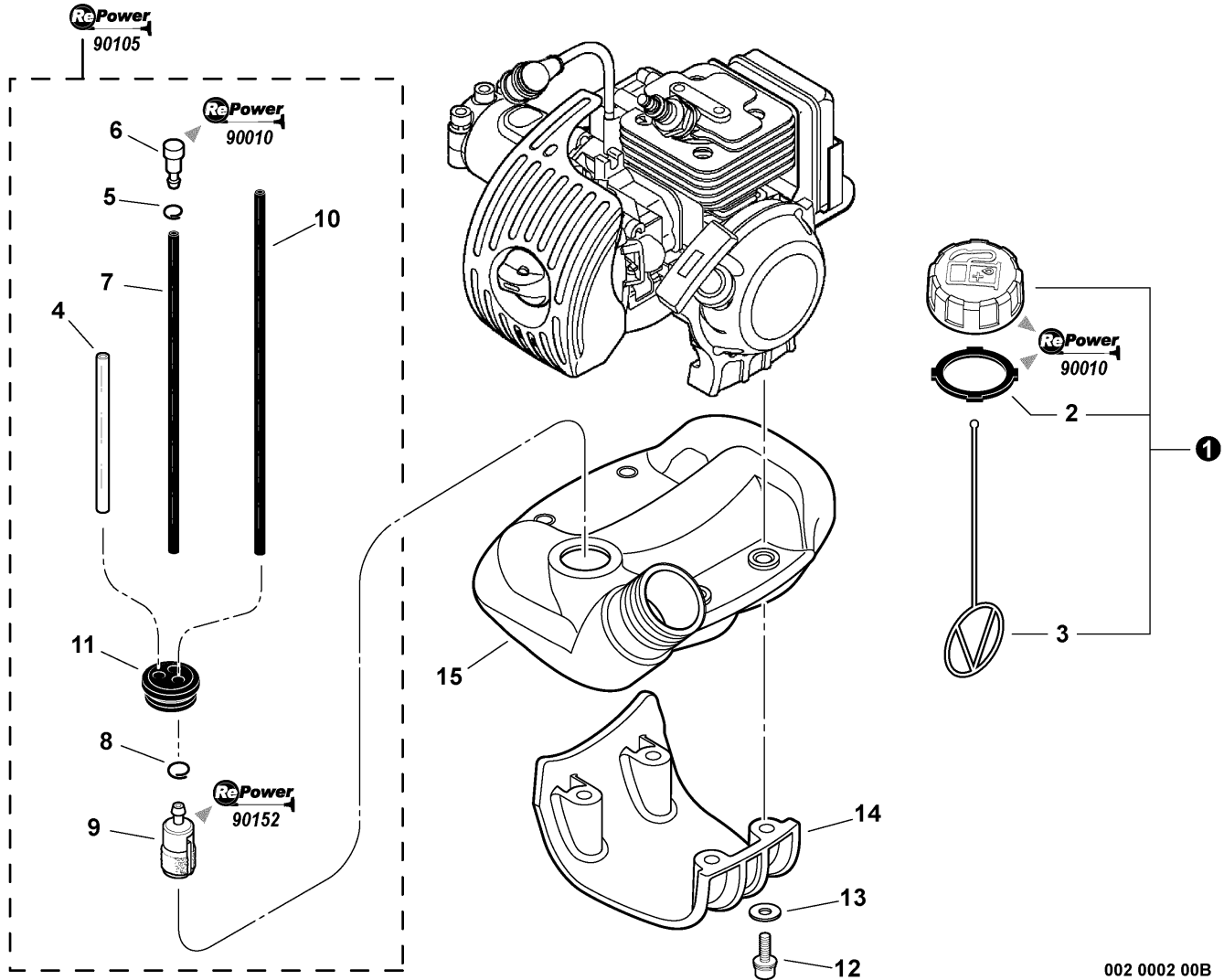


**NOTES -- NOTAS**



001 0001 000

|    |             |   |                  |                     |
|----|-------------|---|------------------|---------------------|
| ①  | 90010605014 | 1 | SCREW - 5X14     | TORNILLO - 5X14     |
| 2  | 90025605016 | 1 | SCREW - 5X16     | TORNILLO - 5X16     |
| 3  | A162000100  | 1 | GUARD, TOP       | PROTECTOR, SUPERIOR |
| 4  | 9114005012  | 1 | SCREW - 5X12     | TORNILLO - 5X12     |
| 5  | A162000080  | 1 | SEAL, DUST       | PROTECTOR, SUPERIOR |
| 6  | A160000780  | 1 | COVER, ENGINE    | CUBIERTA, MOTOR     |
| 7  | 90010605008 | 2 | SCREW - 5X8      | TORNILLO - 5X8      |
| 8  | A160000691  | 1 | SHIELD, CYLINDER | PROTECTOR, CILINDRO |
| 9  | 90010605014 | 1 | SCREW - 5X14     | TORNILLO - 5X14     |
| 10 | A320000341  | 1 | COVER, EXHAUST   | CUBIERTA, ESCAPE    |

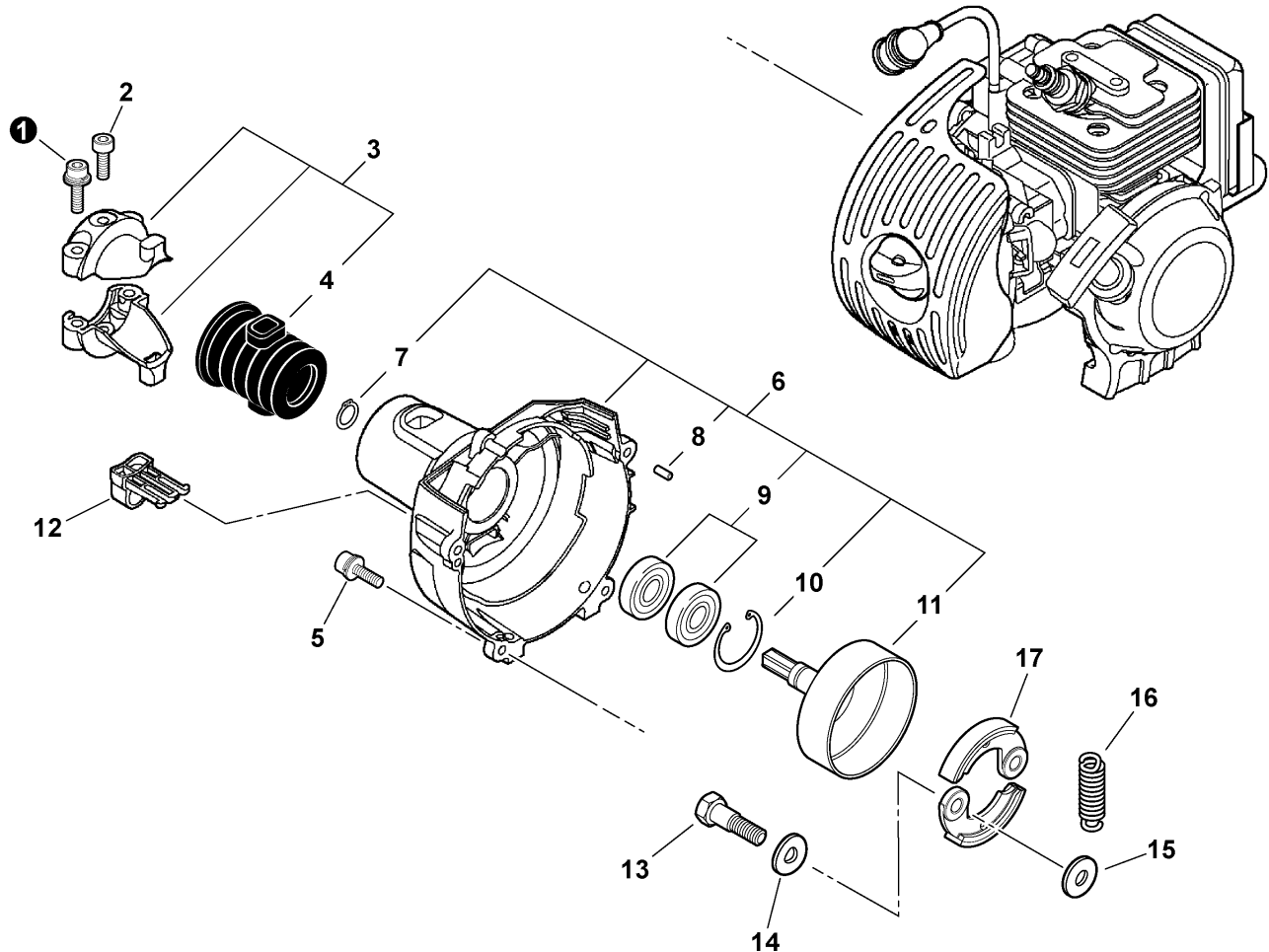


002 0002 00B

|    |               |   |  |  |
|----|---------------|---|--|--|
| ①  | 13100455530   | 1 | CAP ASY - ORANGE                       | CONJUNTO DE TAPA - NARANJA                   |
| 2  | + 13101655830 | 1 | GASKET                                 | JUNTA  |
| 3  | + 13105156030 | 1 | CONNECTOR, CAP                         | CONECTOR, TAPA                               |
| 4  | 13201040830   | 1 | PIPE - 3X6X75 -- CLEAR <sup>(1)</sup>  | TUBO - 3X6X75 -- TRANSPARENTE <sup>(1)</sup> |
| 5  | 13201326630   | 1 | CLIP - 6.5                             | GANCHO                                       |
| 6  | A356000031    | 1 | VENT, FUEL TANK                        | RESPIRADERO, TANQUE DE COMBUSTIBLE           |
| 7  | V471001180    | 1 | PIPE - 3X6X35 -- BLACK <sup>(2)</sup>  | TUBO - 3X6X35 -- NEGRO <sup>(2)</sup>        |
| 8  | 13201309820   | 1 | CLIP - 6                               | GANCHO - 6                                   |
| 9  | A369000000    | 1 | FILTER, FUEL                           | FILTRO DE COMBUSTIBLE                        |
| 10 | V470000580    | 1 | PIPE - 3X5X195 -- BLACK <sup>(3)</sup> | TUBO - 3X5X195 -- NEGRO <sup>(3)</sup>       |
| 11 | 13211555930   | 1 | GROMMET                                | ANILLO DE GOMA                               |
| 12 | 90016205025   | 4 | SCREW - 5X25                           | TORNILLO - 5X25                              |
| 13 | 90060300005   | 4 | WASHER - 5.5X12                        | ARANDELA - 5                                 |
| 14 | A175000030    | 1 | GUARD, FUEL TANK                       | PROTECTOR, TANQUE DE COMBUSTIBLE             |
| 15 | P021013640    | 1 | FUEL TANK ASY                          | CONJUNTO DE TANQUE DE COMBUSTIBLE            |
| 16 | 90105         |   | RePower FUEL SYSTEM KIT                | KIT DEL SISTEMA DE COMBUSTIBLE               |
| 17 | 90152         |   | RePower TUNE-UP KIT                    | KIT DEL PUESTA A PUNTO                       |
| 18 | 90010         |   | Repower CAP AND VENT KIT               | KIT REPOWER DE TAPA Y RESPIRADERO            |

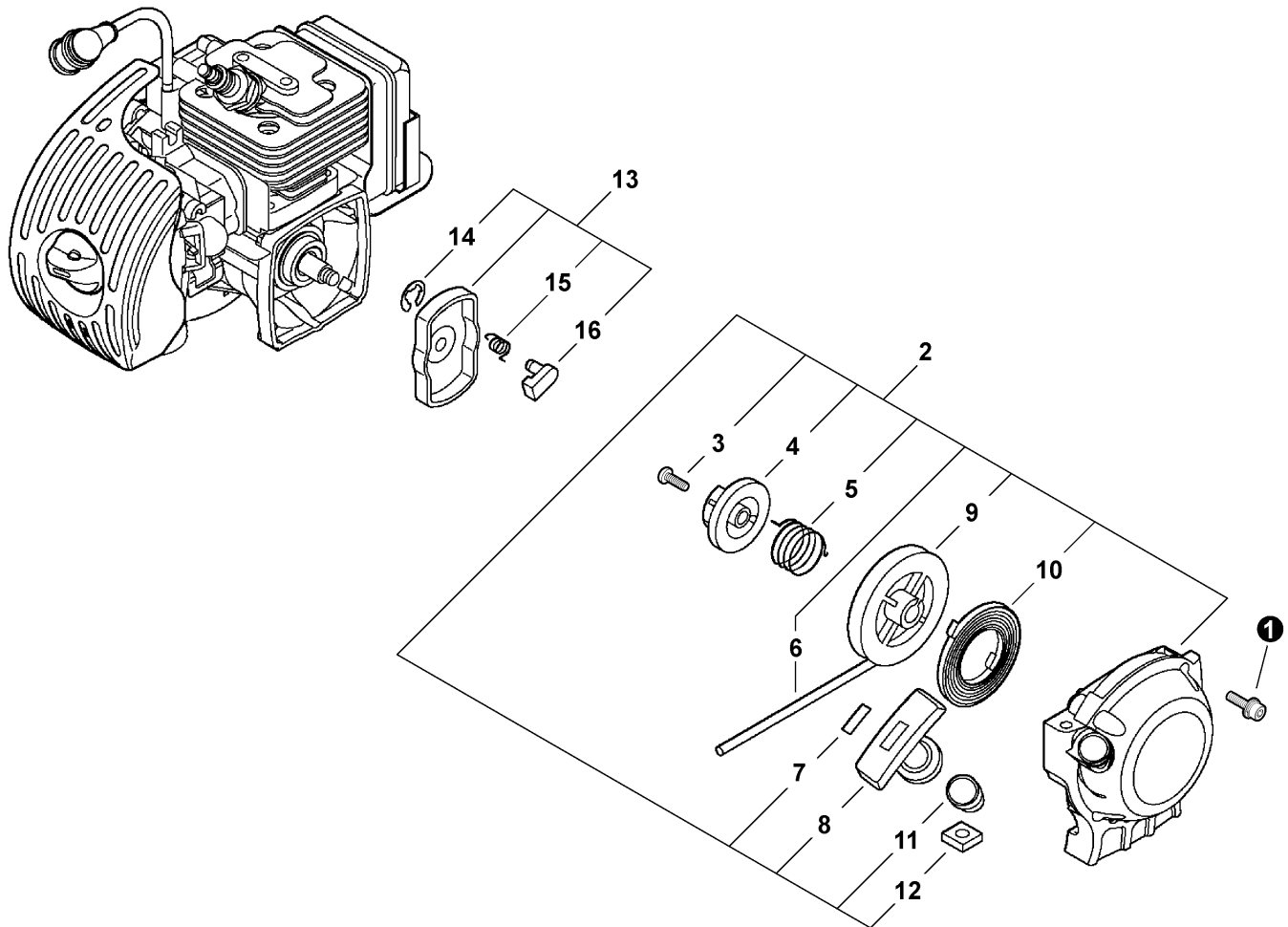
(FOOTNOTE) 1 - RePower BULK OPTION: 90017  
 2 - RePower BULK OPTION: 90015  
 3 - RePower BULK OPTION: 90014

(NOTA DEL PIE) 1 - OPCIÓN A GRANEL de la RePower: 90017  
 2 - OPCIÓN A GRANEL de la RePower: 90015  
 3 - OPCIÓN A GRANEL de la RePower: 90014



003 0001 000

|    |               |   |                       |                                    |
|----|---------------|---|-----------------------|------------------------------------|
| ①  | 90016205025   | 2 | SCREW - 5X25          | TORNILLO - 5X25                    |
| 2  | 90010505012   | 1 | SCREW - 5X12          | TORNILLO - 5X12                    |
| 3  | P021009380    | 1 | MAIN PIPE FIXTURE KIT | KIT DE SOPORTE DE TUBO PRINCIPAL   |
| 4  | + V420001081  | 1 | CUSHION               | COJÍN                              |
| 5  | 90016304016   | 4 | SCREW - 4X16          | TORNILLO - 4X16                    |
| 6  | P021009790    | 1 | FAN CASE ASY          | CONJUNTO DE CARCASA DEL VENTILADOR |
| 7  | + 90070100012 | 1 | RING, RETAINING - 12  | ANILLO, RETÉN - 12                 |
| 8  | + V622000020  | 2 | PIN, LOCATING         | PASADOR DE POSICIONAMIENTO         |
| 9  | + 90080796001 | 2 | BEARING, BALL - 6001  | COJINETE DE BOLAS - 6001           |
| 10 | + 90070200028 | 1 | RING, RETAINING - 28  | ANILLO, RETÉN - 28                 |
| 11 | + A556000390  | 1 | DRUM, CLUTCH          | TAMBOR, EMBRAGUE                   |
| 12 | V491000180    | 1 | CLIP                  | GANCHO                             |
| 13 | 17504656030   | 2 | BOLT, CLUTCH          | PERNO, EMBRAGUE                    |
| 14 | 17504956030   | 2 | WASHER - SPRING       | ARANDELA - RESORTE                 |
| 15 | 17504805530   | 2 | WASHER - 6            | ARANDELA - 6                       |
| 16 | V451000400    | 1 | SPRING, CLUTCH        | RESORTE, EMBRAGUE                  |
| 17 | A553000010    | 2 | SHOE, CLUTCH          | ZAPATA, EMBRAGUE                   |

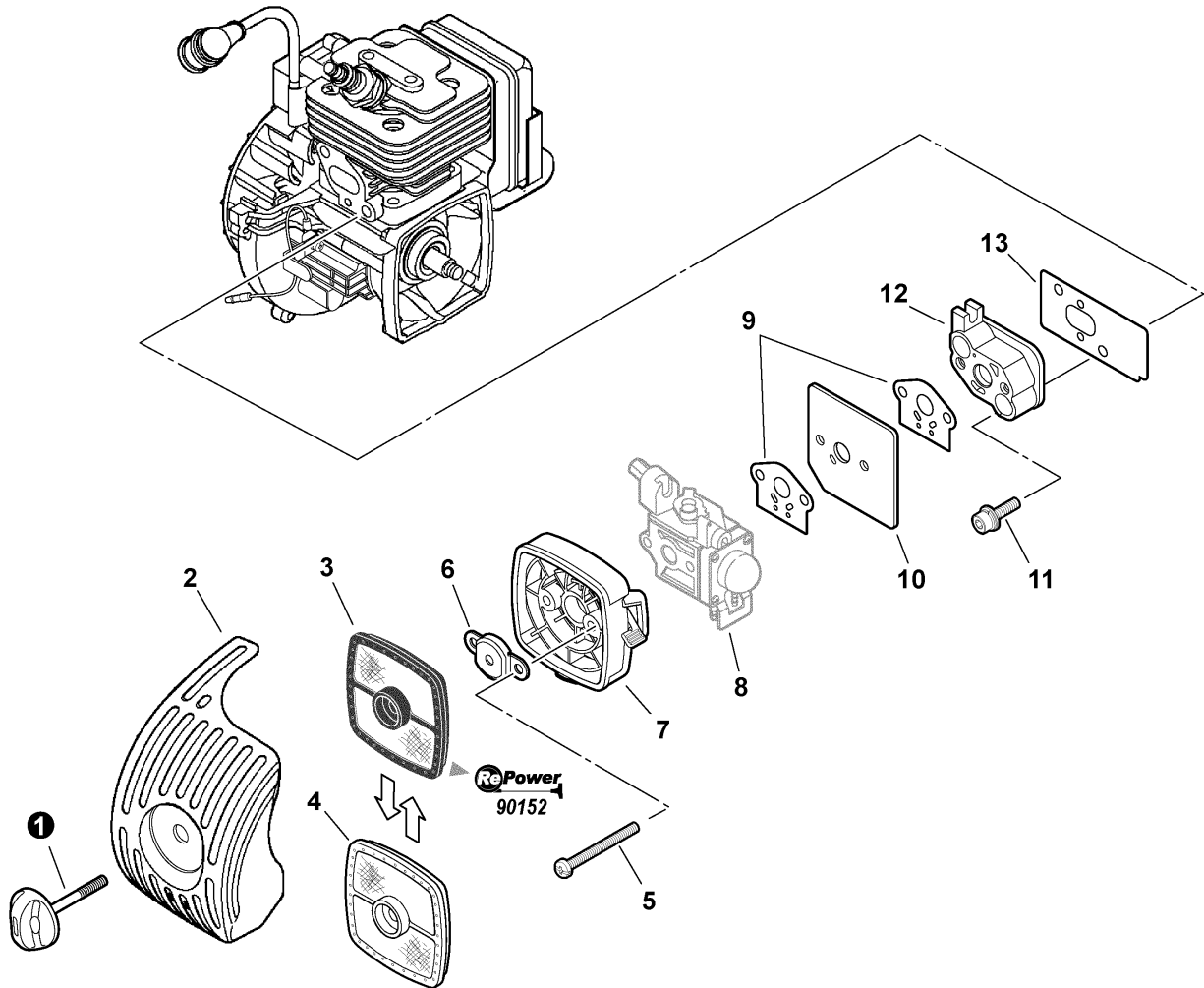


004 0001 000

|    |               |   |                                      |   |
|----|---------------|---|--------------------------------------|---|
| ❶  | 90016304016   | 4 | SCREW - 4X16                         | TORNILLO - 4X16                           |
| 2  | A051000940    | 1 | STARTER ASY                          | CONJUNTO DE ARRANCADOR                    |
| 3  | + 17723661830 | 1 | SCREW                                | TORNILLO                                  |
| 4  | + P022008280  | 1 | PLATE, CAM                           | PLACA, LEVA                               |
| 5  | + P022008270  | 1 | SPRING, DAMPER                       | RESORTE, AMORTIGUADOR                     |
| 6  | + P022008260  | 1 | ROPE, STARTER - 3X700 <sup>(1)</sup> | CUERDA, ARRANCADOR - 3X700 <sup>(1)</sup> |
| 7  | + 17724611120 | 1 | RETAINER, ROPE                       | RETÉN, CUERDA                             |
| 8  | + 17722827030 | 1 | GRIP, STARTER                        | AGARRE, ARRANCADOR                        |
| 9  | + P022006830  | 1 | ROPE, REEL                           | POLEA                                     |
| 10 | + 17722042030 | 1 | SPRING, REWIND                       | RESORTE, REBOBINADO                       |
| 11 | + 17722742030 | 1 | GUIDE, ROPE                          | GUÍA, CUERDA                              |
| 12 | + 90056500005 | 4 | NUT - 5 -- SQUARE                    | TUERCA - 5 -- CUADR                       |
| 13 | A052000180    | 1 | STARTER PAWL ASY                     | CONJUNTO DE TRINQUETE DEL ARRANCADOR      |
| 14 | + P022002100  | 2 | RING, RETAINING - 4                  | ANILLO, RETÉN - 4                         |
| 15 | + 17723412220 | 2 | SPRING, RETURN                       | RESORTE, RETORNO                          |
| 16 | + P022006850  | 2 | PAWL                                 | TRINQUETE                                 |

(FOOTNOTE) 1 - RePower BULK OPTION: 99944440000

(NOTA DEL PIE) 1 - OPCIÓN A GRANEL de la RePower: 99944440000



005 0001 000

|    |             |   |   |  |
|----|-------------|---|---|--|
| ①  | V299000250  | 1 | THUMBSCREW                                | TORNILLO, DE OREJETAS                      |
| 2  | A232000330  | 1 | COVER, AIR CLEANER                        | CUBIERTA, FILTRO DE AIRE                   |
| 3  | A226001410  | 1 | FILTER, AIR - DOUBLE LAYER <sup>(1)</sup> | FILTRO DE AIRE - CAPA DOBLE <sup>(1)</sup> |
| 4  | 13031054130 | 1 | FILTER, AIR - SINGLE LAYER <sup>(2)</sup> | FILTRO DE AIRE - CAPA ÚNICA <sup>(2)</sup> |
| 5  | 90024205065 | 2 | SCREW - 5X65                              | TORNILLO - 5X65                            |
| 6  | 12901152730 | 1 | PLATE, PREVENT                            | PLACA, PRE-RESPIRADERO                     |
| 7  | P021004480  | 1 | CASE, AIR CLEANER - BLACK                 | CARCASA, FILTRO DE AIRE - NEGRO            |
| 8  | -----       | 1 | CARBURETOR <sup>(3)</sup>                 | CARBURADOR <sup>(3)</sup>                  |
| 9  | V103000270  | 2 | GASKET, INTAKE <sup>(1)</sup>             | JUNTA, ADMISIÓN <sup>(1)</sup>             |
| 10 | A209000140  | 1 | PLATE, INSULATOR                          | PLACA, AISLANTE                            |
| 11 | 90016205025 | 2 | SCREW - 5X25                              | TORNILLO - 5X25                            |
| 12 | A200000200  | 1 | INSULATOR, INTAKE                         | AISLANTE, ADMISIÓN                         |
| 13 | V103000210  | 1 | SHIELD, INTAKE <sup>(1)</sup>             | PROTECTOR, ADMISIÓN <sup>(1)</sup>         |
| 14 | 90152       |   | RePower TUNE-UP KIT                       | KIT DEL PUESTA A PUNTO                     |

(FOOTNOTE) 1 - Included In GASKET KIT

2 - OPTIONAL

3 - See Carburetor Diagram For Details

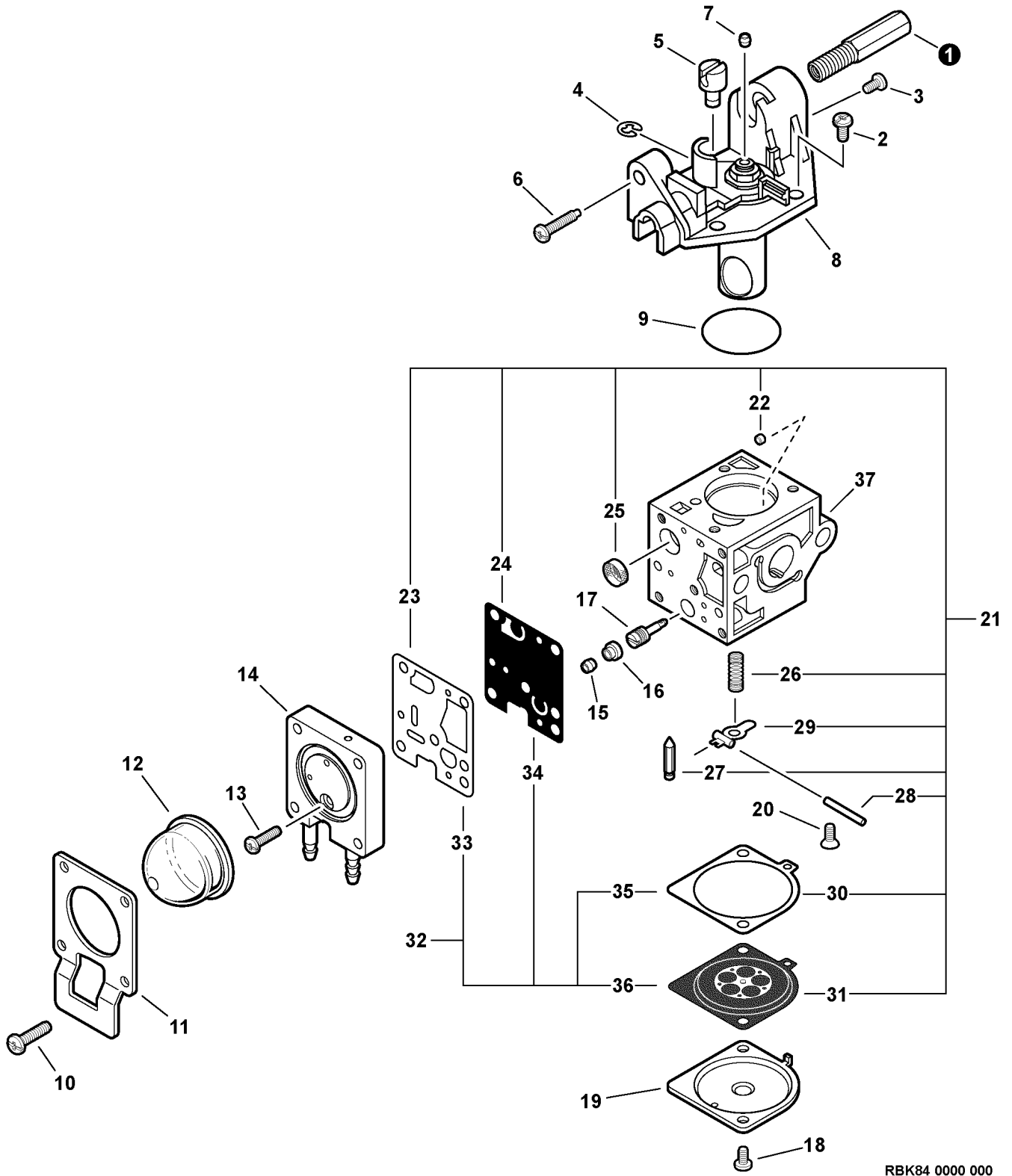
(NOTA DEL PIE) 1 - Incluido en KIT de la JUNTA

2 - OPCIONAL

3 - Vea el diagrama del carburador para los detalles



Recortadora

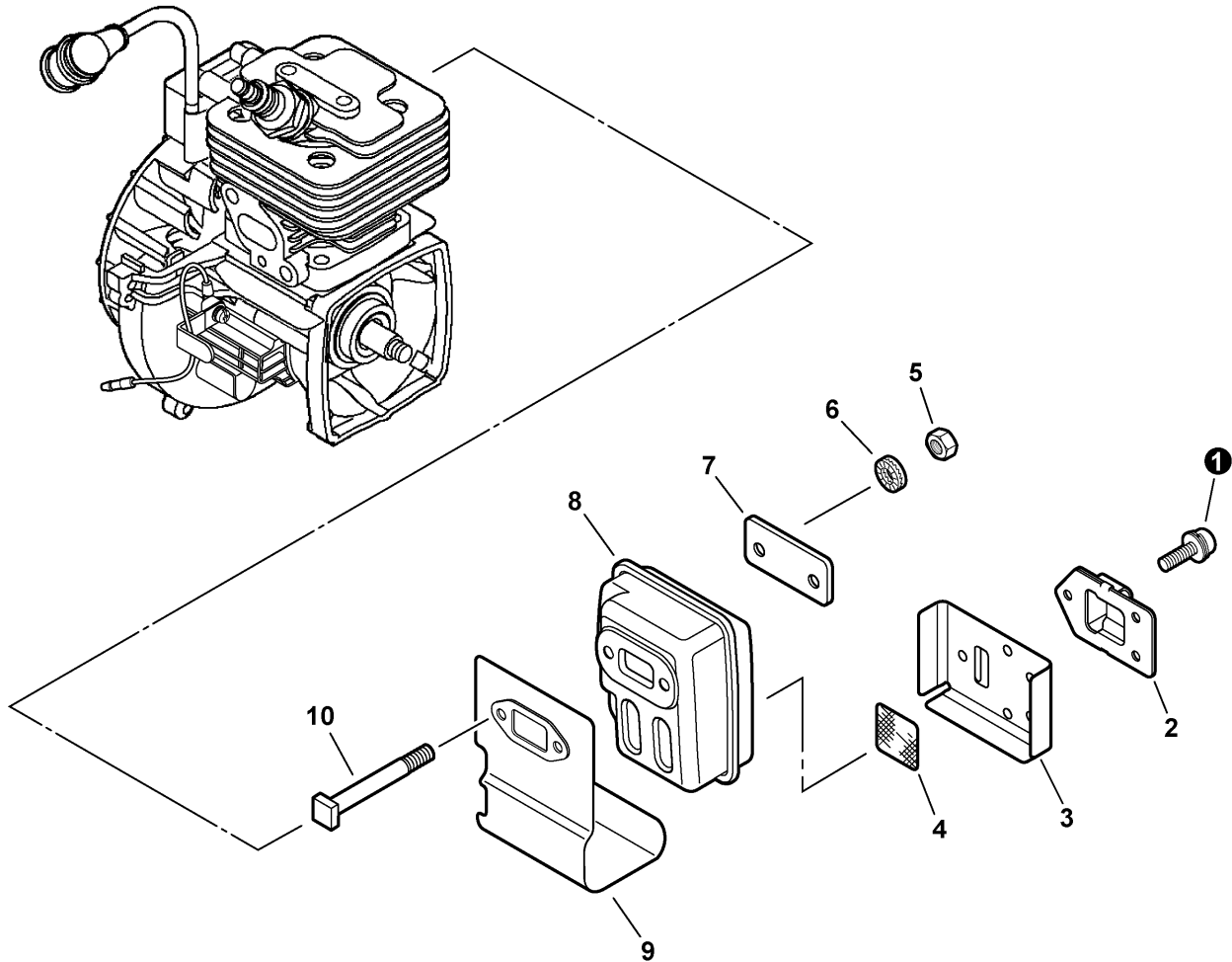
Carburetor -- RB-K84  
Carburador -- RB-K84

RBK84 0000 000

|    |               |   |                                 |                                       |
|----|---------------|---|---------------------------------|---------------------------------------|
|    | A021001201    | 1 | CARBURETOR -- RB-K84            | CARBURADOR -- RB-K84                  |
| ①  | + P005001330  | 1 | SCREW, CABLE ADJUST             | TORNILLO, AJUSTE DEL CABLE            |
| 2  | + 12534413931 | 3 | SCREW                           | TORNILLO                              |
| 3  | + 12534452130 | 1 | SCREW                           | TORNILLO                              |
| 4  | + P005000190  | 1 | RING, RETAINING                 | ANILLO, RETÉN                         |
| 5  | + P005002090  | 1 | SWIVEL                          | PIVOTE                                |
| 6  | + P005000100  | 1 | SCREW, IDLE ADJUST              | TORNILLO, AJUSTE DE RALENTÍ           |
| 7  | + P005001270  | 1 | PLUG                            | TAPA, LIMITADOR                       |
| 8  | + P005001980  | 1 | ROTOR COVER ASY                 | CONJUNTO DE CUBIERTA DEL ROTOR        |
| 9  | + P005000280  | 1 | O-RING                          | ANILLO O                              |
| 10 | + P005001900  | 4 | SCREW, PURGE BULB RETAINER      | TORNILLO, RETÉN DEL BULBO DE LA PURGA |
| 11 | + P005000250  | 1 | RETAINER, PURGE BULB            | RETÉN, BULBO DE LA PURGA              |
| 12 | + 12538108660 | 1 | BULB, PURGE                     | BULBO, PURGA                          |
| 13 | + P005000270  | 1 | SCREW, PURGE BASE               | TORNILLO, BASE, PURGA                 |
| 14 | + P005001890  | 1 | BASE, PURGE                     | BASE, PURGA                           |
| 15 | + P005001270  | 1 | PLUG                            | TAPA, LIMITADOR                       |
| 16 | + P005001250  | 1 | CAP, LIMITER                    | TAPÓN                                 |
| 17 | + P005001290  | 1 | NEEDLE - HIGH SPEED             | AGUJA - ALTA VELOCIDAD                |
| 18 | + 12534452130 | 2 | SCREW                           | TORNILLO                              |
| 19 | + 12534252130 | 1 | COVER, METERING                 | CUBIERTA, DIAFRAGMA                   |
| 20 | + 12533942030 | 1 | SCREW, METERING LEVER PIN       | TORNILLO, PASADOR DE RETÉN            |
| 21 | + P005002290  | 1 | REPAIR KIT                      | KIT DE REPARACIÓN                     |
| 22 | + P005001000  | 1 | GUIDE, ROLLER                   | GUÍA, RODILLO                         |
| 23 | + -----       | 1 | GASKET, PUMP                    | JUNTA, BOMBA                          |
| 24 | + -----       | 1 | DIAPHRAGM, PUMP                 | DIAFRAGMA, BOMBA                      |
| 25 | + -----       | 1 | STRAINER                        | TAMIZ                                 |
| 26 | + -----       | 1 | SPRING, METERING LEVER          | RESORTE, PALANCA DE DOSIFICACIÓN      |
| 27 | + -----       | 1 | VALVE, INLET NEEDLE             | VÁLVULA DE AGUJA, ADMISIÓN            |
| 28 | + -----       | 1 | PIN, METERING LEVER             | PASADOR, PALANCA DE DOSIFICACIÓN      |
| 29 | + -----       | 1 | LEVER, METERING                 | PALANCA, DOSIFICACIÓN                 |
| 30 | + -----       | 1 | GASKET, METERING                | JUNTA, DOSIFICACIÓN                   |
| 31 | + -----       | 1 | DIAPHRAGM, METERING             | DIAFRAGMA, DOSIFICACIÓN               |
| 32 | + P005002270  | 1 | DIAPHRAGM/GASKET KIT            | KIT DE DIAFRAGMA/JUNTA                |
| 33 | + -----       | 1 | GASKET, PUMP                    | JUNTA, BOMBA                          |
| 34 | + -----       | 1 | DIAPHRAGM, PUMP                 | DIAFRAGMA, BOMBA                      |
| 35 | + -----       | 1 | GASKET, METERING                | JUNTA, DOSIFICACIÓN                   |
| 36 | + -----       | 1 | DIAPHRAGM, METERING             | DIAFRAGMA, DOSIFICACIÓN               |
| 37 | + -----       | 1 | BODY, CARBURETOR <sup>(1)</sup> | CUERPO, CARBURADOR <sup>(1)</sup>     |

(FOOTNOTE) 1 - NOT AVAILABLE SEPARATELY

(NOTA DEL PIE) 1 - NO DISPONIBLE POR SEPARADO



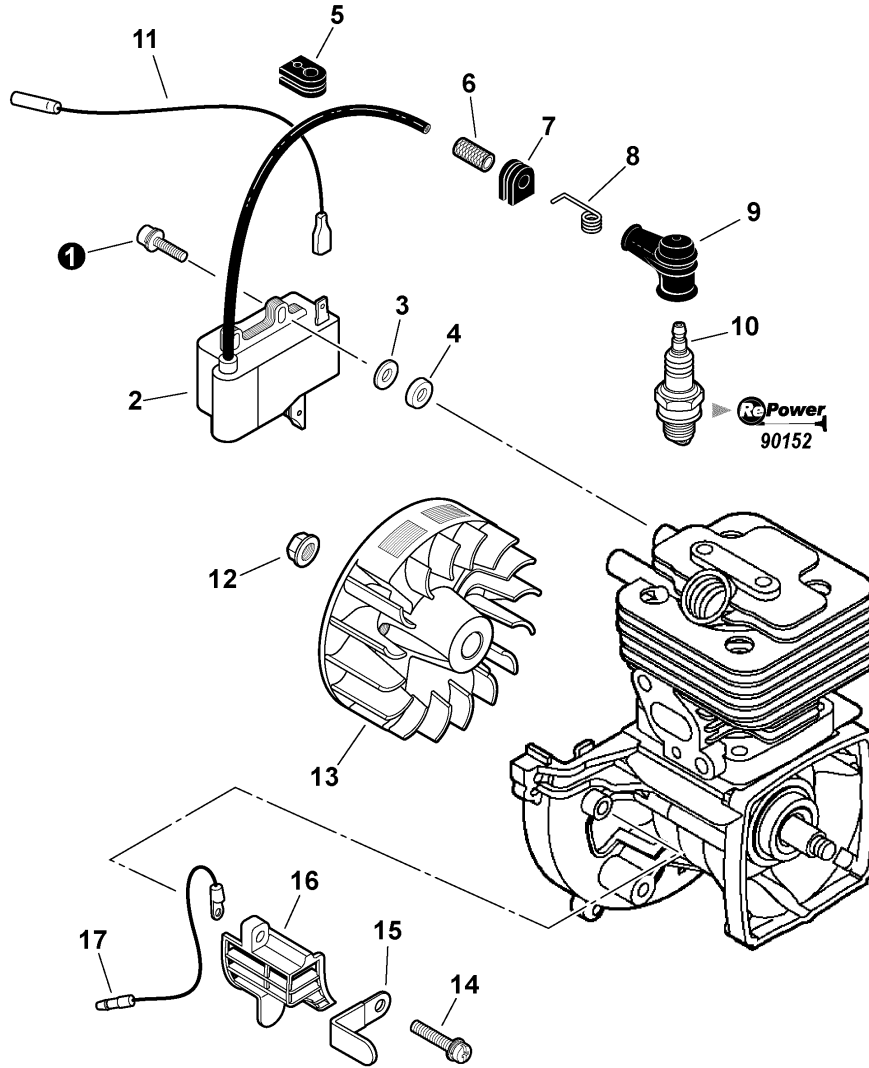
006 0001 000

|    |             |   |                                |                                  |
|----|-------------|---|--------------------------------|----------------------------------|
| ①  | 9136704012  | 3 | SCREW - 4X12                   | TORNILLO - 4X12                  |
| 2  | A313000830  | 1 | GUIDE, EXHAUST                 | GUÍA, ESCAPE                     |
| 3  | V104000790  | 1 | GASKET, EXHAUST <sup>(1)</sup> | JUNTA, ESCAPE <sup>(1)</sup>     |
| 4  | 14586240630 | 1 | SCREEN, SPARK ARRESTER         | PANTALLA, SUPRESOR DE CHISPAS    |
| 5  | 90050000005 | 2 | NUT - 5                        | TUERCA - 5                       |
| 6  | 9228005000  | 2 | LOCKWASHER                     | ARANDELA DE PRESIÓN              |
| 7  | V150001760  | 1 | PLATE                          | PLACA                            |
| 8  | A300000670  | 1 | MUFFLER                        | SILENCIADOR                      |
| 9  | V104000780  | 1 | SHIELD, EXHAUST <sup>(1)</sup> | PROTECTOR, ESCAPE <sup>(1)</sup> |
| 10 | V203000120  | 2 | BOLT - 5                       | PERNO - 5                        |

(FOOTNOTE) 1 - Included In GASKET KIT

(NOTA DEL PIE) 1 - Incluido en KIT de la JUNTA

Recortadora

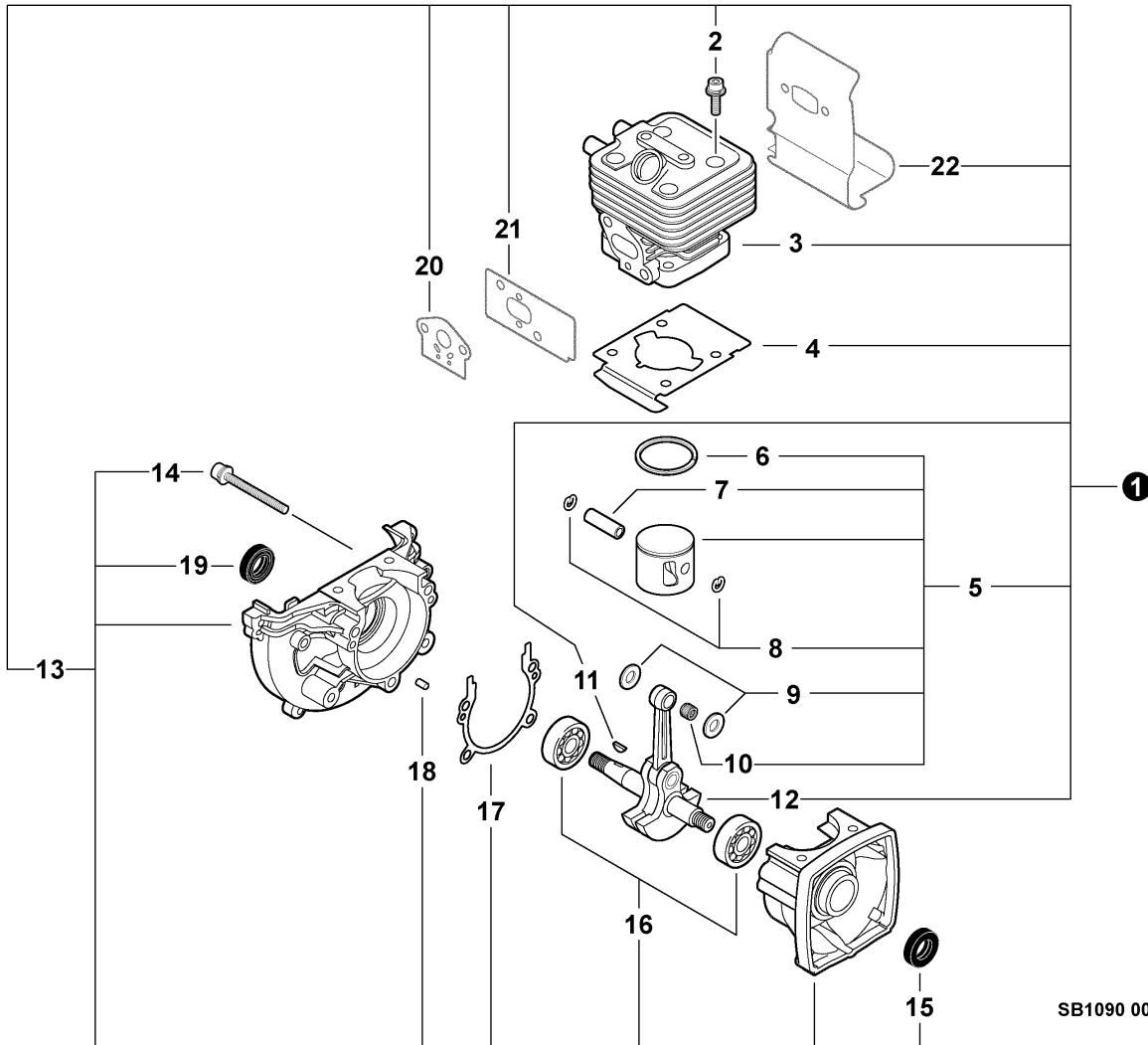
 Flywheel, Ignition  
 Volante, Ignición


007 0058 000

|    |             |   |                                      |                                 |
|----|-------------|---|--------------------------------------|---------------------------------|
| ①  | V202000130  | 2 | SCREW - 4                            | TORNILLO - 4                    |
| 2  | A411000251  | 1 | COIL, IGNITION                       | BOBINA, IGNICIÓN                |
| 3  | 90060300004 | 2 | WASHER                               | ARANDELA                        |
| 4  | V322000031  | 2 | INSULATOR                            | AISLANTE                        |
| 5  | V135000030  | 1 | GROMMET                              | ANILLO DE GOMA                  |
| 6  | V475003380  | 1 | INSULATOR                            | AISLANTE                        |
| 7  | 15611004920 | 1 | GROMMET                              | ANILLO DE GOMA                  |
| 8  | A426000010  | 1 | TERMINAL, SPARK PLUG CAP             | TERMINAL, CAPUCHÓN DE BUJÍA     |
| 9  | A427000013  | 1 | CAP, SPARK PLUG                      | TAPA, BUJÍA                     |
| 10 | 15901019830 | 1 | SPARK PLUG -- BPM-8Y                 | BUJÍA -- BPM-8Y                 |
| 10 | A425000000  | 1 | SPARK PLUG -- BPMR-8Y <sup>(1)</sup> | BUJÍA -- BPMR-8Y <sup>(1)</sup> |
| 11 | V485002331  | 1 | LEAD - IGNITION                      | CORDÓN                          |
| 12 | 90051500008 | 1 | NUT - 8 -- FLANGE                    | TUERCA, DE BRIDA - 8            |
| 13 | A409000310  | 1 | FLYWHEEL                             | VOLANTE                         |
| 14 | 90016205016 | 1 | SCREW - 5X16                         | TORNILLO - 5X16                 |
| 15 | 15911621231 | 1 | CLAMP                                | ABRAZADERA                      |
| 16 | A127000160  | 1 | COVER, DEBRIS                        | CUBIERTA, ANTIPOLVO             |
| 17 | 15663543130 | 1 | LEAD - GROUND                        | CABLE - DE TIERRA               |
| 18 | 90152       |   | RePower TUNE-UP KIT                  | KIT DEL PUESTA A PUNTO          |

(FOOTNOTE) 1 - CANADA MODELS

(NOTA DEL PIE) 1 - MODELOS DE CANADÁ

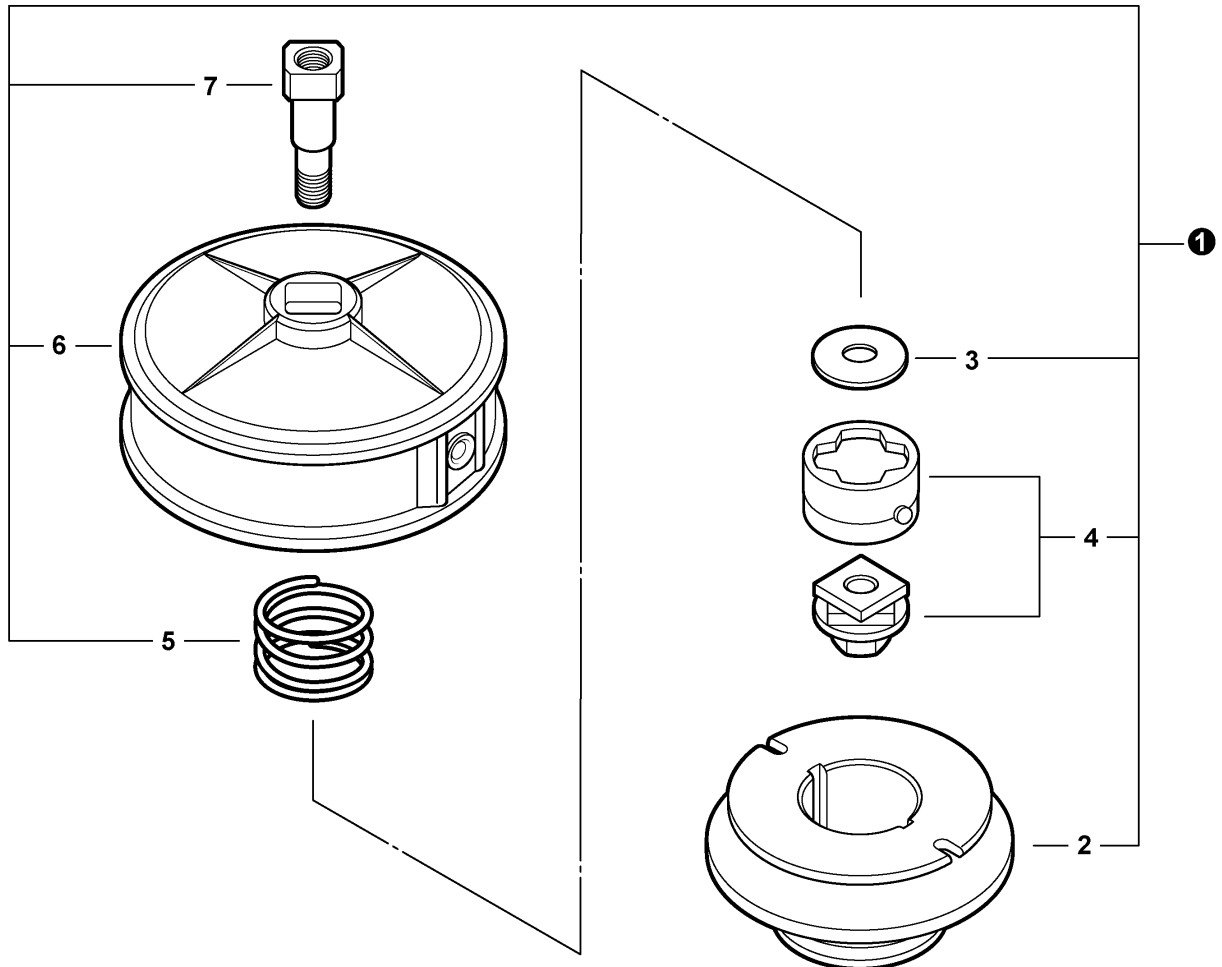


SB1090 0000 000

|          |               |   |                                  |                                  |
|----------|---------------|---|----------------------------------|----------------------------------|
| <b>1</b> | SB1090        | 1 | SHORT BLOCK -- SB1090            | BLOQUE CORTO -- SB1090           |
| 2        | + 90016205025 | 4 | SCREW - 5X25                     | TORNILLO - 5X25                  |
| 3        | + A130000761  | 1 | CYLINDER                         | CILINDRO                         |
| 4        | + V100000210  | 1 | GASKET, CYLINDER <sup>(1)</sup>  | JUNTA, CILINDRO <sup>(1)</sup>   |
| 5        | + P021009771  | 1 | PISTON KIT                       | KIT DE PISTÓN                    |
| 6        | + A101000170  | 1 | RING, PISTON                     | ANILLO, PISTÓN                   |
| 7        | + 10001335430 | 1 | PIN, PISTON                      | PASADOR, PISTÓN                  |
| 8        | + 10001503931 | 2 | RING, RETAINING                  | ANILLO, RETÉN                    |
| 9        | + 10001453630 | 2 | SPACER, PISTON                   | ESPACIADOR, PISTÓN               |
| 10       | + 10001216131 | 1 | BEARING, NEEDLE                  | COJINETE, DE AGUJAS              |
| 11       | + 10014212330 | 1 | KEY, WOODRUFF                    | CHAVETA, WOODRUFF                |
| 12       | + A011000434  | 1 | CRANKSHAFT ASY                   | CONJUNTO DE CIGÜEÑAL             |
| 13       | + P021010801  | 1 | CRANKCASE KIT                    | KIT DE CÁRTER                    |
| 14       | + 90016205028 | 3 | SCREW - 5X28                     | TORNILLO - 5X28                  |
| 15       | + V505000050  | 1 | SEAL, OIL                        | SELLO, ACEITE                    |
| 16       | + 9403536201  | 2 | BEARING, BALL - 6201             | COJINETE DE BOLAS - 6201         |
| 17       | + 10024242030 | 1 | GASKET, CRANKCASE <sup>(1)</sup> | JUNTA, CÁRTER <sup>(1)</sup>     |
| 18       | + V622000020  | 2 | PIN, LOCATING                    | PASADOR DE POSICIONAMIENTO       |
| 19       | + 10021242031 | 1 | SEAL, OIL                        | SELLO, ACEITE                    |
| 20       | + -----       | 1 | GASKET, INTAKE <sup>(1)</sup>    | JUNTA, ADMISIÓN <sup>(1)</sup>   |
| 21       | + -----       | 1 | GASKET, INTAKE <sup>(1)</sup>    | JUNTA, ADMISIÓN <sup>(1)</sup>   |
| 22       | + -----       | 1 | SHIELD, EXHAUST <sup>(1)</sup>   | PROTECTOR, ESCAPE <sup>(1)</sup> |

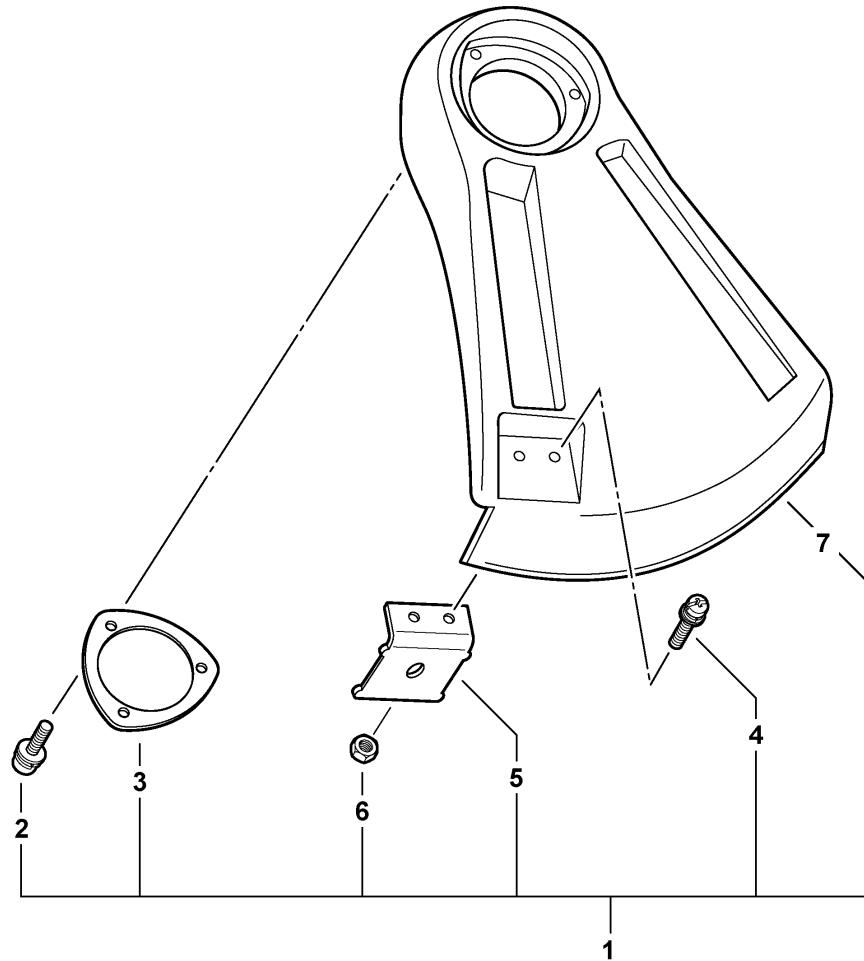
(FOOTNOTE) 1 - Included In GASKET KIT

(NOTA DEL PIE) 1 - Incluido en KIT de la JUNTA



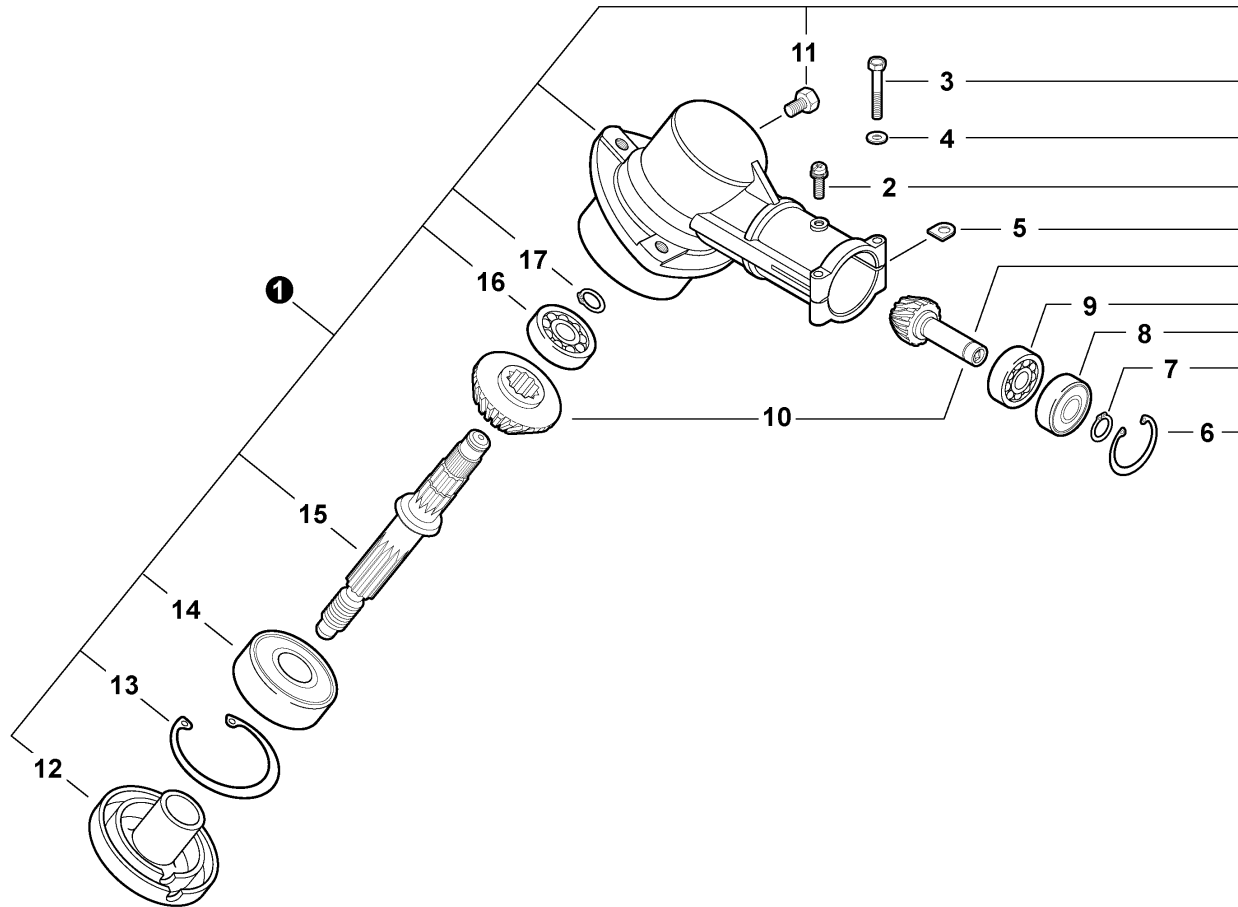
900 0015 000

| ① | 21560050 | SRM ECHOMATIC HEAD | CABEZA SRM ECHOMATIC |
|---|----------|--------------------|----------------------|
| 2 | + 215607 | 1 SPOOL            | CARRETE              |
| 3 | + 215604 | 1 WASHER           | ARANDELA             |
| 4 | + 215609 | 1 CAM KIT          | KIT DE LEVA          |
| 5 | + 215603 | 1 SPRING           | RESORTE              |
| 6 | + 215602 | 1 DRUM ASY         | CONJUNTO DE TAMBOR   |
| 7 | + 215601 | 1 BOLT, SHAFT      | PERNO, EJE           |



034 0006 000

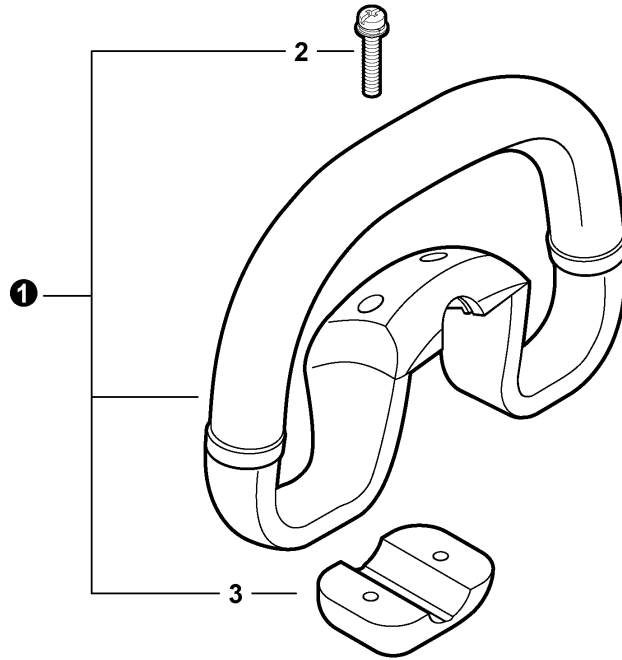
|   |               |   |                             |                                  |
|---|---------------|---|-----------------------------|----------------------------------|
| ① | P021001393    | 1 | DEBRIS SHIELD KIT - PLASTIC | KIT DE PROTECTOR CONTRA RESIDUOS |
| 2 | + 90023805016 | 3 | SCREW - 5X16                | TORNILLO - 5X16                  |
| 3 | + C552000110  | 1 | PLATE, SHIELD               | PLACA                            |
| 4 | + 90023805016 | 2 | SCREW - 5X16                | TORNILLO - 5X16                  |
| 5 | + 69901644330 | 1 | KNIFE, TRIMMER LINE         | CUCHILLO, CORDÓN                 |
| 6 | + 90050000005 | 2 | NUT - 5                     | TUERCA - 5                       |
| 7 | + C550000032  | 1 | SHIELD, DEBRIS - PLASTIC    | PROTECTOR - PLÁSTICO             |



032 0024 00T

|          |               |   |                        |                                |
|----------|---------------|---|------------------------|--------------------------------|
| <b>1</b> | P021013432    | 1 | GEAR CASE ASY          | CONJUNTO DE CAJA DE ENGRANAJES |
| 2        | + 90024205012 | 1 | SCREW - 5X12           | TORNILLO - 5X12                |
| 3        | + 90010005035 | 2 | BOLT - 5X35            | PERNO - 5X35                   |
| 4        | + 90060000005 | 2 | WASHER                 | ARANDELA - 5                   |
| 5        | + 61023904130 | 2 | WASHER, SHIM           | ARANDELA, ESPACIADORA          |
| 6        | + 90070200022 | 1 | RING, RETAINING - 22   | ANILLO, RETÉN - 22             |
| 7        | + 90070600010 | 1 | RING, RETAINING - 10   | ANILLO, RETÉN - 10             |
| 8        | + 90085806900 | 1 | BEARING, BALL - 6900Z  | COJINETE DE BOLAS - 6900Z      |
| 9        | + 90085506900 | 1 | BEARING, BALL - 6900   | COJINETE DE BOLAS - 6900       |
| 10       | + V000000020  | 1 | GEAR SET               | JUEGO DE ENGRANAJES            |
| 11       | + 61043450031 | 1 | BOLT - 8X8             | PERNO - 8X8                    |
| 12       | + C535000320  | 1 | ADAPTER, BLADE - UPPER | ADAPTADOR, CUCHILLA - SUPERIOR |
| 13       | + 90070200042 | 1 | RING, RETAINING - 42   | ANILLO, RETÉN - 42             |
| 14       | + 90081206302 | 1 | BEARING, BALL - 609    | COJINETE DE BOLAS - 609        |
| 15       | + C534000220  | 1 | GEAR, SHAFT            | ENGRANAJE, EJE                 |
| 16       | + 90081000629 | 1 | BEARING, BALL - 629    | COJINETE DE BOLAS - 629        |
| 17       | + 90070600012 | 1 | RING, RETAINING - 12   | ANILLO, RETÉN - 12             |

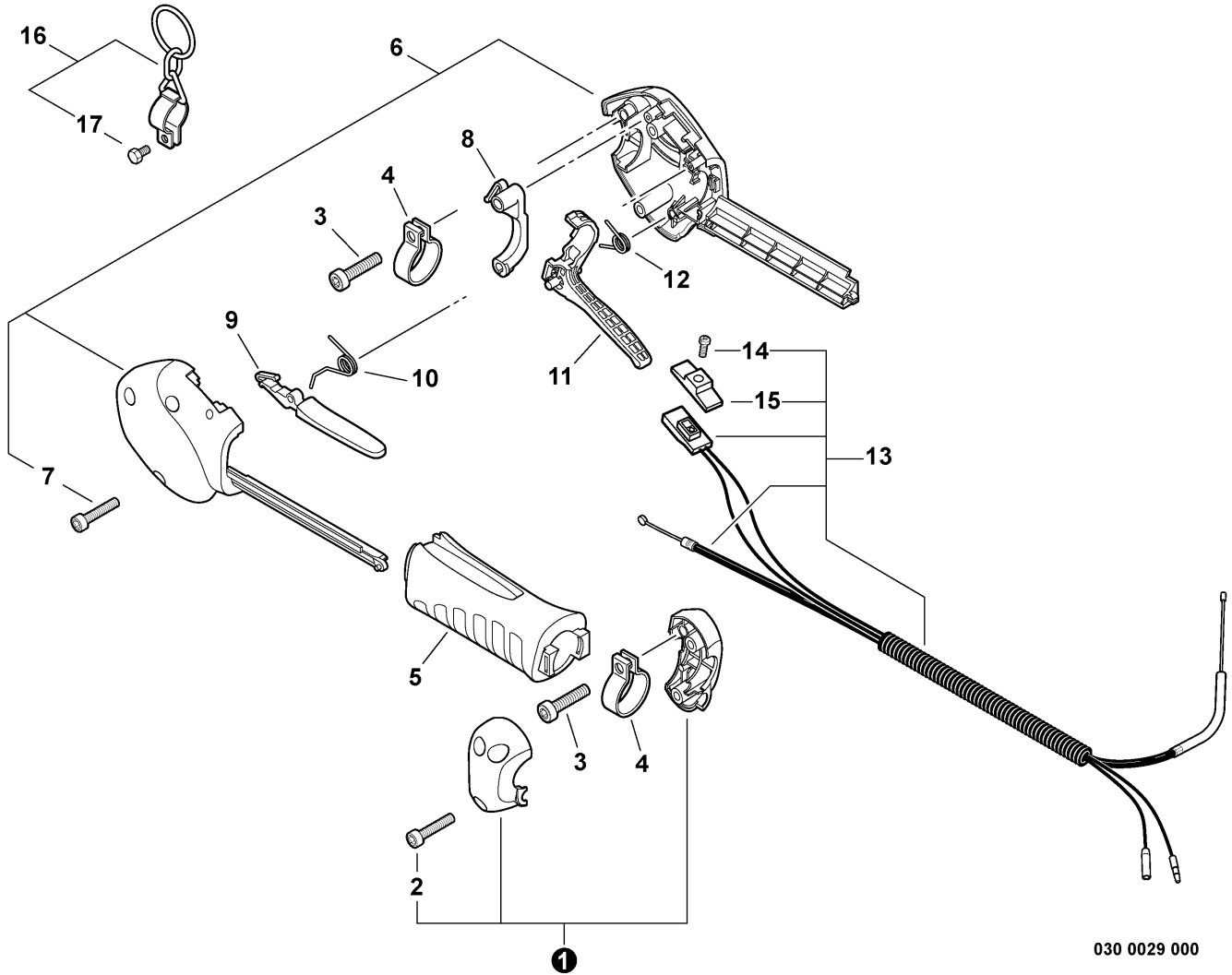




030 0033 000

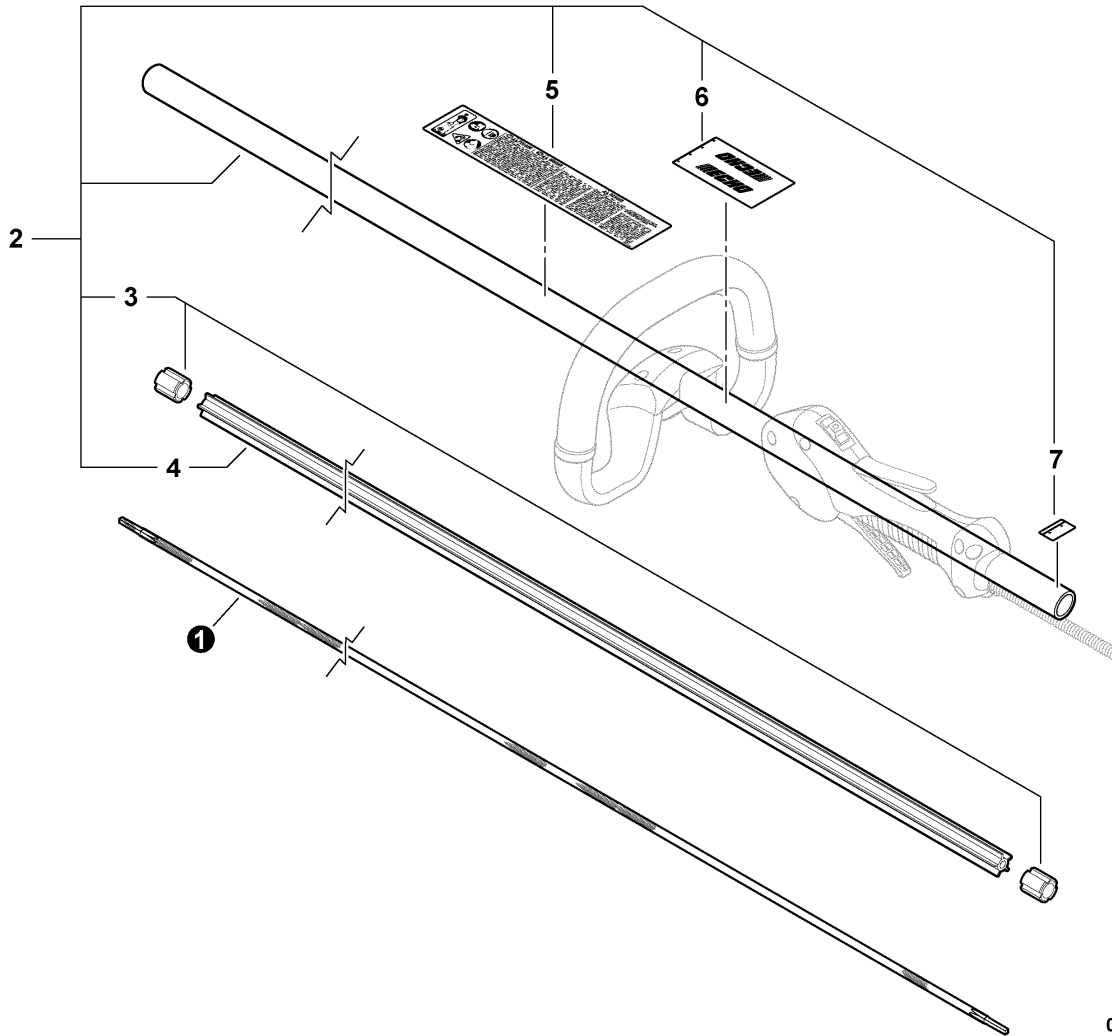
|   |             |   |                  |                        |
|---|-------------|---|------------------|------------------------|
| ❶ | P021008322  | 1 | FRONT HANDLE KIT | KIT DE MANGO DELANTERO |
| ❷ | 90024205040 | 2 | SCREW - 5X40     | TORNILLO - 5X40        |
| ❸ | C423000190  | 1 | FIXTURE, HANDLE  | ADITAMENTO, MANGO      |

Recortadora

 Control Handle, Control Cable Assembly  
 Mango de Control, conjunto del cable de control


030 0029 000

|    |               |   |                         |                                 |
|----|---------------|---|-------------------------|---------------------------------|
| ①  | P021009970    | 1 | HANDLE FIXTURE KIT      | KIT DE ADITAMENTO DE MANGO      |
| 2  | + 88995021060 | 2 | SCREW - 4X22 -- TAPPING | TORNILLO - 4X22 -- AUTOROSCANTE |
| 3  | 90016205020   | 1 | SCREW - 5X20            | TORNILLO - 5X20                 |
| 4  | V495000680    | 1 | CLAMP                   | ABRAZADERA                      |
| 5  | C412000090    | 1 | GRIP, HANDLE            | AGARRE, MANGO                   |
| 6  | P021009961    | 1 | CONTROL HANDLE KIT      | KIT DE MANGO DE CONTROL         |
| 7  | + 88995021060 | 2 | SCREW - 4X22 -- TAPPING | TORNILLO - 4X22 -- AUTOROSCANTE |
| 8  | C453000151    | 1 | LOCKOUT, TRIGGER        | TRABA, GATILLO                  |
| 9  | C460000051    | 1 | LEVER, THROTTLE LOCKOUT | PALANCA, BLOQUEO                |
| 10 | V452000240    | 1 | SPRING, LEVER RETURN    | RESORTE, RETORNO DE LA PALANCA  |
| 11 | C450000183    | 1 | TRIGGER, THROTTLE       | GATILLO, ACELERADOR             |
| 12 | V452000210    | 1 | SPRING, TRIGGER         | RESORTE, GATILLO                |
| 13 | V043000071    | 1 | CONTROL CABLE ASY       | CONJUNTO DE CABLE DE CONTROL    |
| 14 | + 9154503010  | 1 | SCREW - 3X10            | TORNILLO - 3X10                 |
| 15 | + A444000020  | 1 | KNOB                    | PERILLA                         |
| 16 | C646000060    | 1 | HARNES HANGER KIT       | CONJUNTO DE COLGADOR DE ARNÉS   |
| 17 | + 90010005012 | 1 | BOLT - 5X12             | PERNO - 5X12                    |



031 0001 000

|   |               |   |                         |                                |
|---|---------------|---|-------------------------|--------------------------------|
| ① | 61001344730   | 1 | DRIVESHAFT - FLEXIBLE   | EJE DE MANDO - FLEXIBLE        |
| 2 | C050001110    | 1 | MAIN PIPE ASY           | CONJUNTO DE TUBO PRINCIPAL     |
| 3 | + 61024644730 | 2 | STOPPER                 | DETENEDOR                      |
| 4 | + C507000260  | 1 | LINER - FLEXIBLE        | FORRO - FLEXIBLE               |
| 5 | + X505002500  | 1 | LABEL - CAUTION         | ETIQUETA - PRECAUCIÓN          |
| 6 | + X505001930  | 1 | LABEL - HANDLE LOCATION | ETIQUETA - UBICACIÓN DEL MANGO |
| 7 | + 89015204930 | 1 | LABEL - ALIGNMENT       | ETIQUETA - ALINEACIÓN          |

Recortadora

Labels  
Etiquetas



100 0047 000

|    |             |   |  |  |
|----|-------------|---|--|--|
| 1  | X532000671  | 1 | LABEL - SPARK PLUG -- BPM-8Y                 | ETIQUETA - BUJÍA -- BPM-8Y                 |
| 2  | X532000720  | 1 | LABEL - SPARK PLUG -- BPMR-8Y <sup>(1)</sup> | ETIQUETA - BUJÍA -- BPMR-8Y <sup>(1)</sup> |
| 3  | X505002310  | 1 | LABEL - CAUTION -- HOT                       | ETIQUETA - PRECAUCIÓN -- CALIENTE          |
| 4  | X502000310  | 1 | LABEL - ECHO                                 | ETIQUETA - ECHO                            |
| 5  | 89012152730 | 1 | LABEL - CHOKE                                | ETIQUETA - AHOGADOR                        |
| 6  | 89033252730 | 1 | LABEL - CHOKE <sup>(1)</sup>                 | ETIQUETA - AHOGADOR <sup>(1)</sup>         |
| 7  | X547000350  | 1 | LABEL - MODEL -- SRM-265                     | ETIQUETA - MODELO -- SRM-265               |
| 8  | X547000360  | 1 | LABEL - MODEL -- SRM-265S                    | ETIQUETA - MODELO -- SRM-265S              |
| 9  | X547000400  | 1 | LABEL - MODEL -- SRM-265T                    | ETIQUETA - MODELO -- SRM-265T              |
| 10 | X547000630  | 1 | LABEL - MODEL -- SRM-265U                    | ETIQUETA - MODELO -- SRM-265U              |

(FOOTNOTE) 1 - CANADA MODELS

(NOTA DEL PIE) 1 - MODELOS DE CANADÁ



Recortadora

P021011000 GASKET KIT  
P021011000 Kit de Juntas

| Use Gasket Kit | Contains: | Service Number | Description       |
|----------------|-----------|----------------|-------------------|
| P021011000     |           | 10024242030    | GASKET, CRANKCASE |
|                |           | V100000210     | GASKET, CYLINDER  |
|                |           | V103000210     | SHIELD, INTAKE    |
|                |           | V103000270     | GASKET, INTAKE    |
|                |           | V104000780     | SHIELD, EXHAUST   |
|                |           | V104000790     | GASKET, EXHAUST   |

300 0026 000

---

|  |            |   |            |               |
|--|------------|---|------------|---------------|
|  | P021011000 | 1 | GASKET KIT | KIT DE JUNTAS |
|--|------------|---|------------|---------------|

---

**90010 RePower CAP AND VENT KIT**

---

| contains:       | qty: |
|-----------------|------|
| --- CAP         | 1    |
| --- GASKET, CAP | 1    |
| --- VENT ASY    | 1    |

**90010 KIT del CASQUILLO Y del RESPIRADERO de la RePower**

---

| Incluye:                    | cant: |
|-----------------------------|-------|
| --- TAPA                    | 1     |
| --- JUNTA, TAPA             | 1     |
| --- CONJUNTO DE RESPIRADERO | 1     |

**90010 KIT de CAP ET d'ÉVENT de pouvoir de RePower**

---

| Inclut:             | qte: |
|---------------------|------|
| --- CAPUCHON        | 1    |
| --- JOINT, CAPUCHON | 1    |
| --- ASS. ÉVENT      | 1    |

**90010 JOGO do TAMPÃO E do RESPIRADOURO do RePower**

---

| Inclui:                | quant: |
|------------------------|--------|
| --- TAMPA              | 1      |
| --- VEDAÇÃO, TAMPA     | 1      |
| --- CJTO DO VENTILADOR | 1      |

90010



90010

1 RePower CAP AND VENT KIT

KIT REPOWER DE TAPA Y RESPIRADERO

**90105 RePower FUEL SYSTEM KIT**

| contains:                   | qty: |
|-----------------------------|------|
| --- CLIP - 6                | 1    |
| --- CLIP - 6.5              | 1    |
| --- FILTER, FUEL            | 1    |
| --- GROMMET                 | 1    |
| --- PIPE - 3X5X195 -- BLACK | 1    |
| --- PIPE - 3X5X35 -- BLACK  | 1    |
| --- PIPE - 3X6X75 -- CLEAR  | 1    |
| --- VENT ASY                | 1    |

**90105 KIT de d'INSTALLATION CARBURANT de RePower**

| Inclut:                     | qte: |
|-----------------------------|------|
| --- ANNEAU - 6              | 1    |
| --- ANNEAU - 6.5            | 1    |
| --- FILTRE, ESSENCE         | 1    |
| --- OEILLET                 | 1    |
| --- TUYAU - 3X5X195 -- NOIR | 1    |
| --- TUYAU - 3X5X35 -- NOIR  | 1    |
| --- TUYAU - 3X6X75 -- CLAIR | 1    |
| --- ASS. ÉVENT              | 1    |

**90105 KIT del SISTEMA de CARBURANTE de la RePower**

| Incluye:                          | cant: |
|-----------------------------------|-------|
| --- GANCHO - 6                    | 1     |
| --- GANCHO - 6.5                  | 1     |
| --- FILTRO DE COMBUSTIBLE         | 1     |
| --- ANILLO DE GOMA                | 1     |
| --- TUBO - 3X5X195 -- NEGRO       | 1     |
| --- TUBO - 3X5X35 -- NEGRO        | 1     |
| --- TUBO - 3X6X75 -- TRANSPARENTE | 1     |
| --- CONJUNTO DE RESPIRADERO       | 1     |

**90105 JOGO do SISTEMA de COMBUSTÍVEL do RePower**

| Inclui:                           | quant: |
|-----------------------------------|--------|
| --- PRESILHA - 6                  | 1      |
| --- PRESILHA - 6.5                | 1      |
| --- FILTRO, COMBUSTÍVEL           | 1      |
| --- OLHAL                         | 1      |
| --- TUBO - 3X5X195 -- PRETO       | 1      |
| --- TUBO - 3X5X35 -- PRETO        | 1      |
| --- TUBO - 3X6X75 -- TRANSPARENTE | 1      |
| --- CJTO DO VENTILADOR            | 1      |

90105



90105

1 RePower FUEL SYSTEM KIT

KIT DEL SISTEMA DE COMBUSTIBLE

**90152****RePower TUNE-UP KIT**

---

| contains:                      | qty: |
|--------------------------------|------|
| --- FILTER, AIR - DOUBLE LAYER | 1    |
| --- FILTER, FUEL               | 1    |
| --- SPARK PLUG -- BPMR-8Y      | 1    |

**KIT del AJUSTE de la RePower**

---

| Incluye:                        | cant: |
|---------------------------------|-------|
| --- FILTRO DE AIRE - CAPA DOBLE | 1     |
| --- FILTRO DE COMBUSTIBLE       | 1     |
| --- BUJÍA -- BPMR-8Y            | 1     |

**KIT de MISE AU POINT de pouvoir de RePower**

---

| Inclut:                          | qte: |
|----------------------------------|------|
| --- FILTRE, AIR - COUCHE DOUBLE  | 1    |
| --- FILTRE, ESSENCE              | 1    |
| --- BOUGIE D'ALLUMAGE -- BPMR-8Y | 1    |

**JOGO do AJUSTE do RePower**

---

| Inclui:                        | quant: |
|--------------------------------|--------|
| --- FILTRO, AR - CAMADA DOPLA  | 1      |
| --- FILTRO, COMBUSTÍVEL        | 1      |
| --- VELA DE IGNIÇÃO -- BPMR-8Y | 1      |

90152



90152

1 RePower TUNE-UP KIT

KIT DEL PUESTA A PUNTO

---



## PART NUMBER INDEX - ÍNDICE DEL NÚMERO DE PARTE

*Click The Page Number After Any Part Number To View The Diagram Containing That Part*  
*Chasque la página después de cualquier número de parte para ver el diagrama que contiene esa parte*

| Part Number | Page        | Part Number | Page         | Part Number | Page  |
|-------------|-------------|-------------|--------------|-------------|-------|
| -----       | 7, 9, 12    | 9005000005  | 10, 14       | P005000270  | 9     |
| 10001216131 | 12          | 90051500008 | 11           | P005000280  | 9     |
| 10001335430 | 12          | 90056500005 | 6            | P005001000  | 9     |
| 10001453630 | 12          | 90060000005 | 15           | P005001250  | 9     |
| 10001503931 | 12          | 90060300004 | 11           | P005001270  | 9     |
| 10014212330 | 12          | 90060300005 | 4            | P005001290  | 9     |
| 10021242031 | 12          | 90070100012 | 5            | P005001330  | 9     |
| 10024242030 | 12          | 90070200022 | 15           | P005001890  | 9     |
| 12533942030 | 9           | 90070200028 | 5            | P005001900  | 9     |
| 12534252130 | 9           | 90070200042 | 15           | P005001980  | 9     |
| 12534413931 | 9           | 90070600010 | 15           | P005002090  | 9     |
| 12534452130 | 9           | 90070600012 | 15           | P005002270  | 9     |
| 12538108660 | 9           | 90080796001 | 5            | P005002290  | 9     |
| 12901152730 | 7           | 90081000629 | 15           | P021001393  | 14    |
| 13031054130 | 7           | 90081206302 | 15           | P021004480  | 7     |
| 13100455530 | 4           | 90085506900 | 15           | P021008322  | 16    |
| 13101655830 | 4           | 90085806900 | 15           | P021009380  | 5     |
| 13105156030 | 4           | 90105       | 4, 22        | P021009771  | 12    |
| 13201040830 | 4           | 90152       | 4, 7, 11, 23 | P021009790  | 5     |
| 13201309820 | 4           | 9114005012  | 3            | P021009961  | 17    |
| 13201326630 | 4           | 9136704012  | 10           | P021009970  | 17    |
| 13211555930 | 4           | 9154503010  | 17           | P021010801  | 12    |
| 14586240630 | 10          | 9228005000  | 10           | P021011000  | 20    |
| 15611004920 | 11          | 9403536201  | 12           | P021013432  | 15    |
| 15663543130 | 11          | A011000434  | 12           | P021013640  | 4     |
| 15901019830 | 11          | A021001201  | 9            | P022002100  | 6     |
| 15911621231 | 11          | A051000940  | 6            | P022006830  | 6     |
| 17504656030 | 5           | A052000180  | 6            | P022006850  | 6     |
| 17504805530 | 5           | A101000170  | 12           | P022008260  | 6     |
| 17504956030 | 5           | A127000160  | 11           | P022008270  | 6     |
| 17722042030 | 6           | A130000761  | 12           | P022008280  | 6     |
| 17722742030 | 6           | A160000691  | 3            | SB1090      | 12    |
| 17722827030 | 6           | A160000780  | 3            | V000000020  | 15    |
| 17723412220 | 6           | A162000080  | 3            | V043000071  | 17    |
| 17723661830 | 6           | A162000100  | 3            | V100000210  | 12    |
| 17724611120 | 6           | A175000030  | 4            | V103000210  | 7     |
| 21560050    | 13          | A200000200  | 7            | V103000270  | 7     |
| 215601      | 13          | A209000140  | 7            | V104000780  | 10    |
| 215602      | 13          | A226001410  | 7            | V104000790  | 10    |
| 215603      | 13          | A232000330  | 7            | V135000030  | 11    |
| 215604      | 13          | A300000670  | 10           | V150001760  | 10    |
| 215607      | 13          | A313000830  | 10           | V202000130  | 11    |
| 215609      | 13          | A320000341  | 3            | V203000120  | 10    |
| 61001344730 | 18          | A356000031  | 4            | V299000250  | 7     |
| 61023904130 | 15          | A369000000  | 4            | V322000031  | 11    |
| 61024644730 | 18          | A409000310  | 11           | V420001081  | 5     |
| 61043450031 | 15          | A411000251  | 11           | V451000400  | 5     |
| 69901644330 | 14          | A425000000  | 11           | V452000210  | 17    |
| 88995021060 | 17          | A426000010  | 11           | V452000240  | 17    |
| 89012152730 | 19          | A427000013  | 11           | V470000580  | 4     |
| 89015204930 | 18          | A444000020  | 17           | V471001180  | 4     |
| 89033252730 | 19          | A553000010  | 5            | V475003380  | 11    |
| 90010       | 4, 21       | A556000390  | 5            | V485002331  | 11    |
| 90010005012 | 17          | C050001110  | 18           | V491000180  | 5     |
| 90010005035 | 15          | C412000090  | 17           | V495000680  | 17    |
| 90010505012 | 5           | C423000190  | 16           | V505000050  | 12    |
| 90010605008 | 3           | C450000183  | 17           | V622000020  | 5, 12 |
| 90010605014 | 3           | C453000151  | 17           | X502000310  | 19    |
| 90016205016 | 11          | C460000051  | 17           | X505001930  | 18    |
| 90016205020 | 17          | C507000260  | 18           | X505002310  | 19    |
| 90016205025 | 4, 5, 7, 12 | C534000220  | 15           | X505002500  | 18    |
| 90016205028 | 12          | C535000320  | 15           | X532000671  | 19    |
| 90016304016 | 5, 6        | C550000032  | 14           | X532000720  | 19    |
| 90023805016 | 14          | C552000110  | 14           | X547000350  | 19    |
| 90024205012 | 15          | C646000060  | 17           | X547000360  | 19    |
| 90024205040 | 16          | P005000100  | 9            | X547000400  | 19    |
| 90024205065 | 7           | P005000190  | 9            | X547000630  | 19    |
| 90025605016 | 3           | P005000250  | 9            |             |       |