

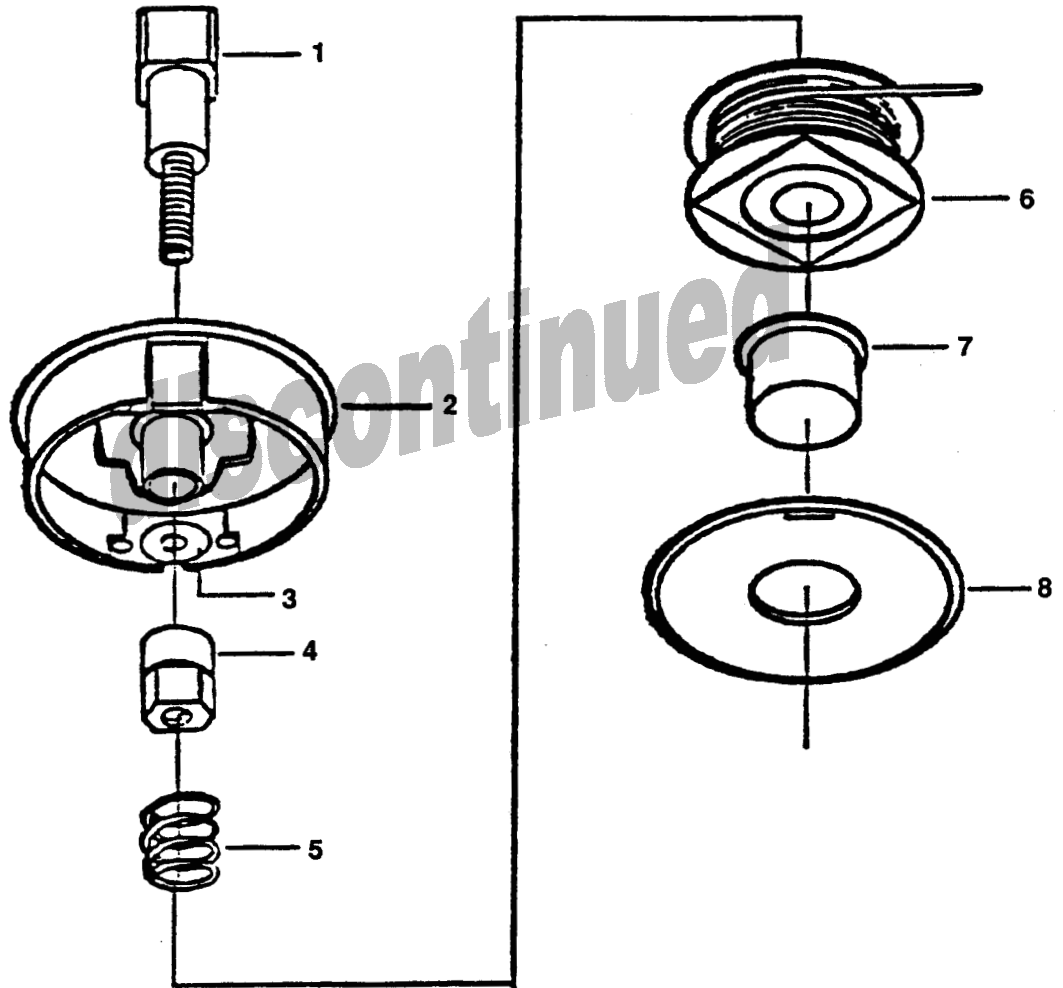


SEMI-AUTO HEAD ASSEMBLY

PART NUMBER: 21560040 (215400) (STYLE A)

Thread Size: 3/8-24 UNF R.H.

Line Diameter: .080



KEY	PART NUMBER	DESCRIPTION	MODELS USED ON
1	215401	Bolt, 3/8-24 R.H.	GT-140 GT-230
2	215402	Housing	GT-140A GT-1000
3	215703	Eyelet	GT-140B GT-1100/A
4	215404	Nut	GT-160 GT-2000/2000SB
5	215405	Spring	GT-160A GT-2100
6	215406	Spool	GT-160AE GT-2101
7	215407	Button	GT-200 GT-2102
8	215408	Cover	GT-200A GT-2103
			GT-200AE GT-2400
			GT-200B SRM-210AE
			GT-200BE SRM-210E
			GT-200CE SRM-2000