



---

**PARTS CATALOG**

**BRUSH CUTTER  
MODEL SRM-2100**

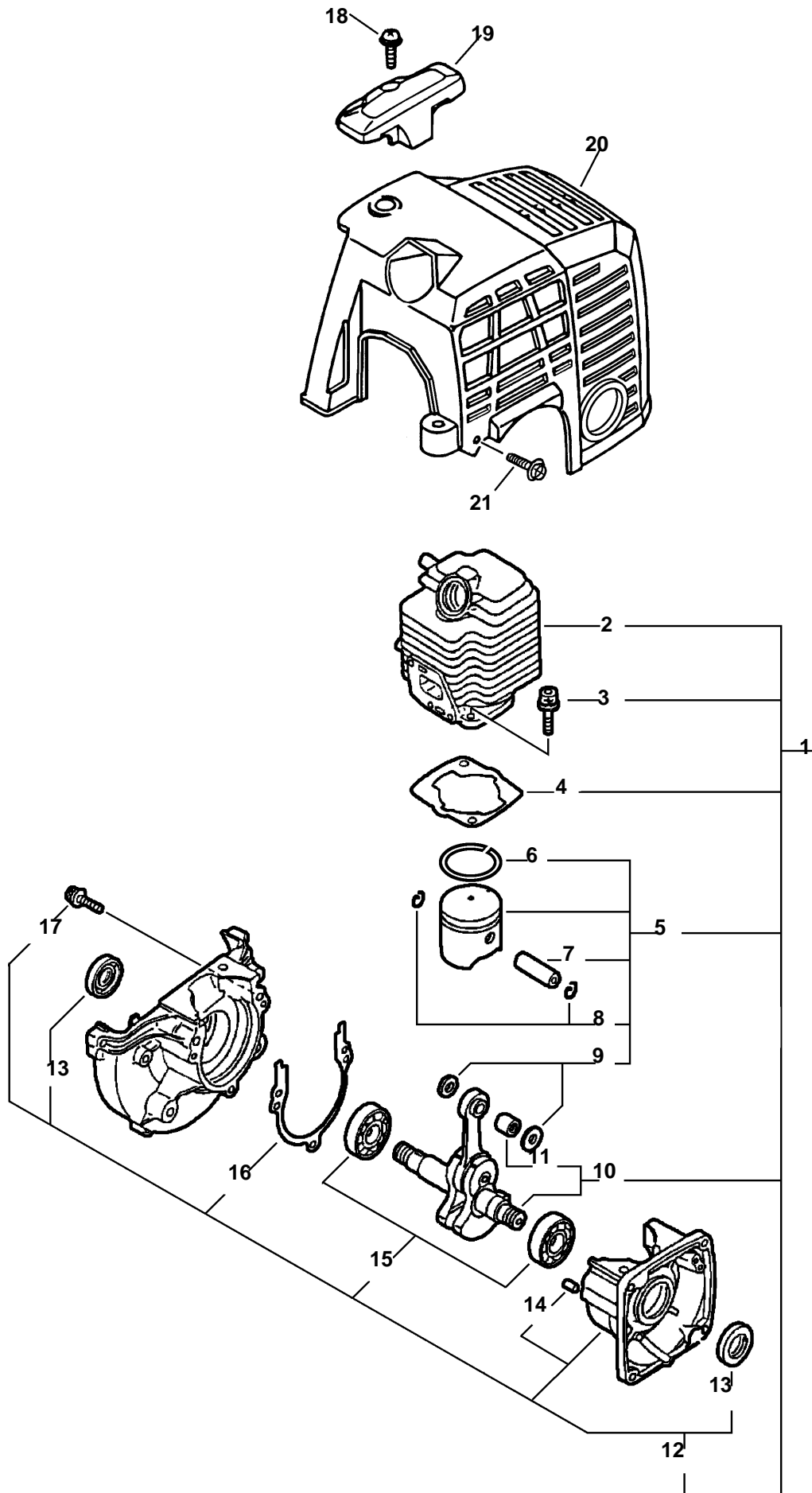
SERIAL NUMBER 159491 & UP

**MODEL SRM-2110**

SERIAL NUMBER 001001 & UP

**ECHO, INCORPORATED**

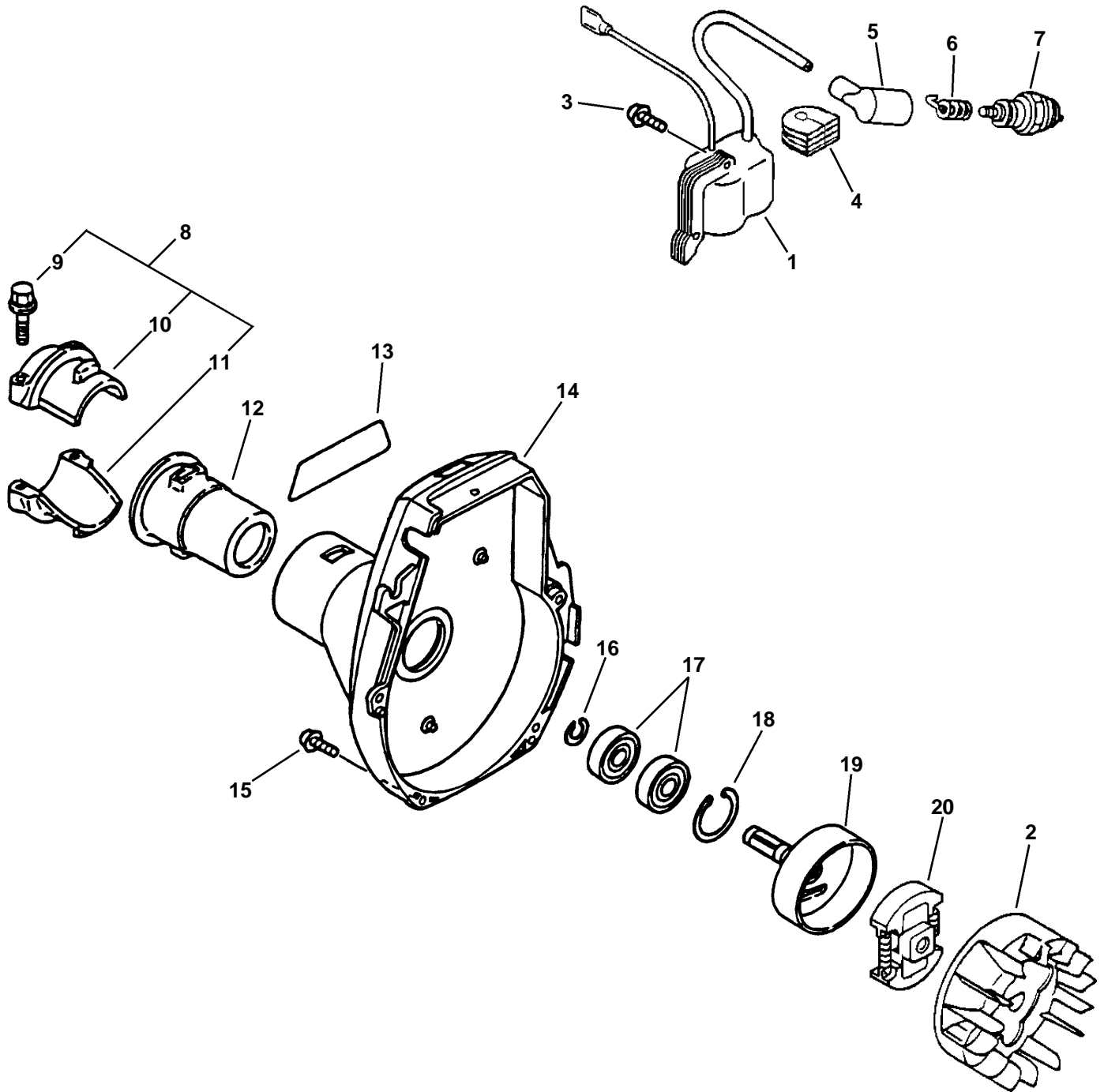
400 OAKWOOD ROAD  
LAKE ZURICH, ILLINOIS 60047  
[WWW.ECHO-USA.COM](http://WWW.ECHO-USA.COM)



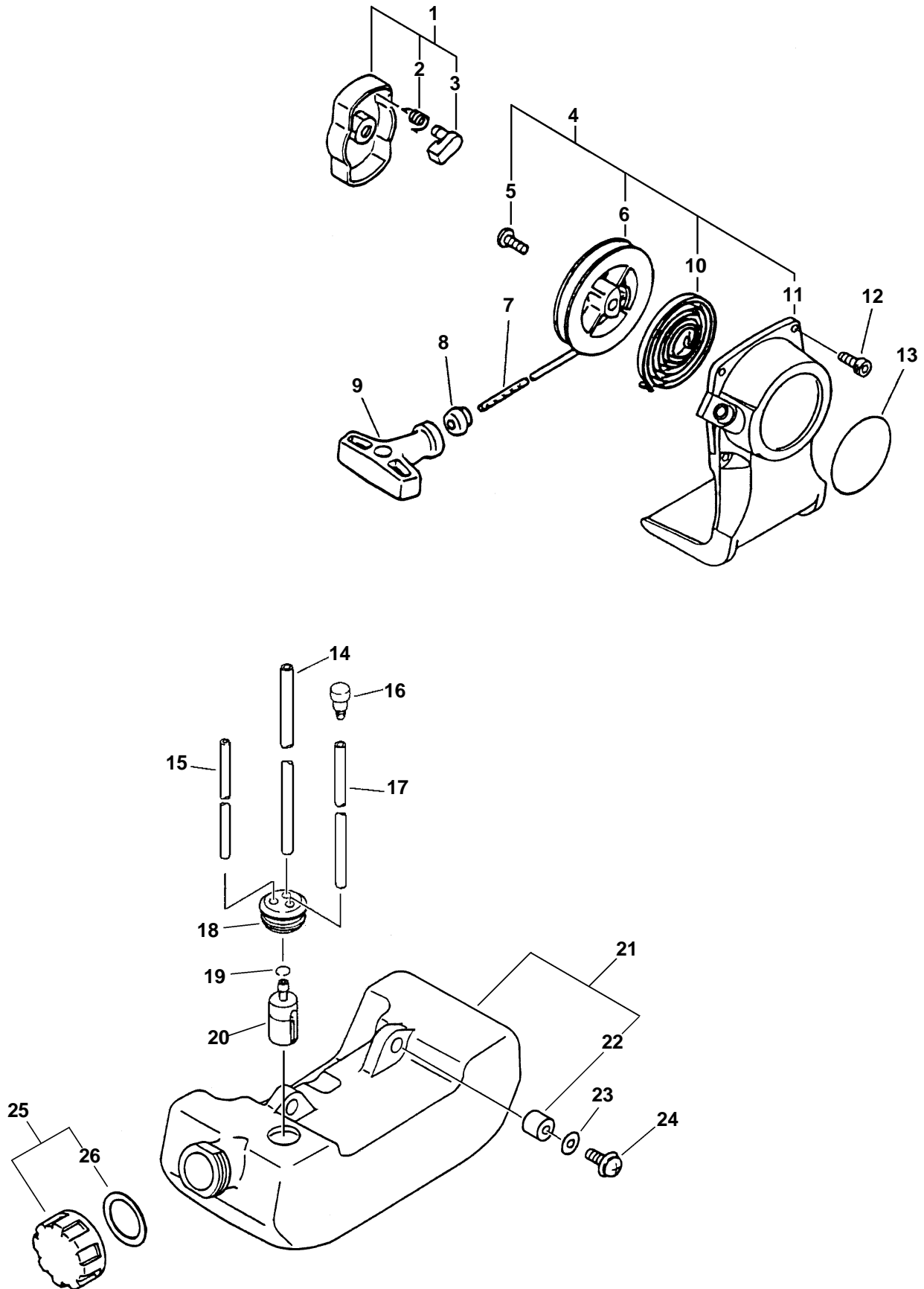
ITEM	PART NUMBER	QTY	DESCRIPTION	REMARKS
<u>OPTIONAL ENGINE REPOWER</u>				
1	SB1026	1	SHORT BLOCK	INCLUDES ITEMS 2-17
2	10101147630	1	CYLINDER	
3	90016205022	2	BOLT 5X22	
4	10101044332	1	GASKET, CYLINDER BASE	CONTAINED IN GASKET KIT 88900042033
5	10000044331	1	PISTON KIT	INCLUDES ITEMS
6	A101000000	1	RING, PISTON	
7	10001311520	1	PIN, PISTON	
8	10001504630	2	CIRCLIP, PISTON PIN	
9	10001411520	2	SPACER, PISTON PIN	
10	10010044733	1	CRANKSHAFT ASY	INCLUDES ITEM 11
11	10001251230	1	BEARING, NEEDLE	
12	10020451030	1	CRANKCASE KIT	INCLUDES ITEMS 13-17
13	10021242030	2	OILSEAL	
14	10021503930	2	PIN, DOWEL	
15	90081036201	2	BEARING, BALL 6201	
16	10024242030	1	GASKET, CRANKCASE	CONTAINED IN GASKET KIT 88900042033
17	90016205028	3	SCREW 5X28	
18	90023805016	1	SCREW 5X16	
19	15991254130	1	GUARD, TOP	
20	10151448930	1	COVER, CYLINDER	
21	90016204016	6	SCREW 4X16	

GASKET KIT

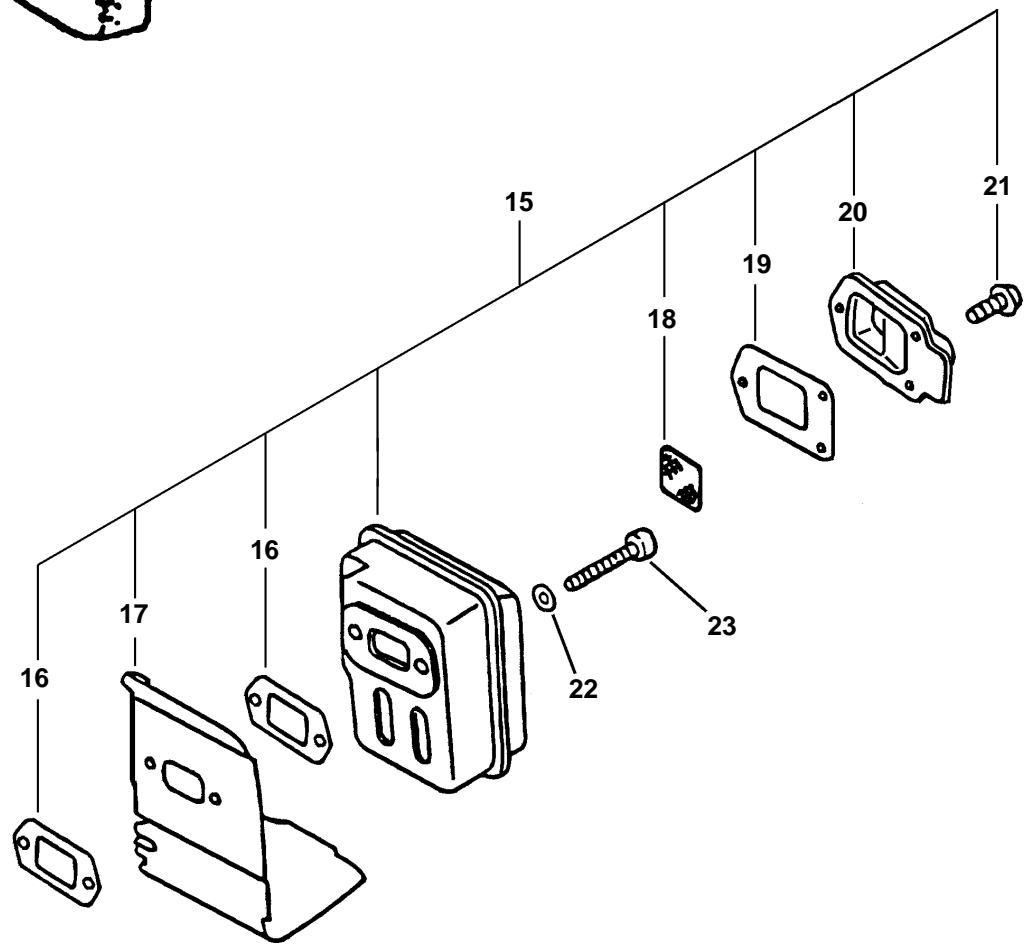
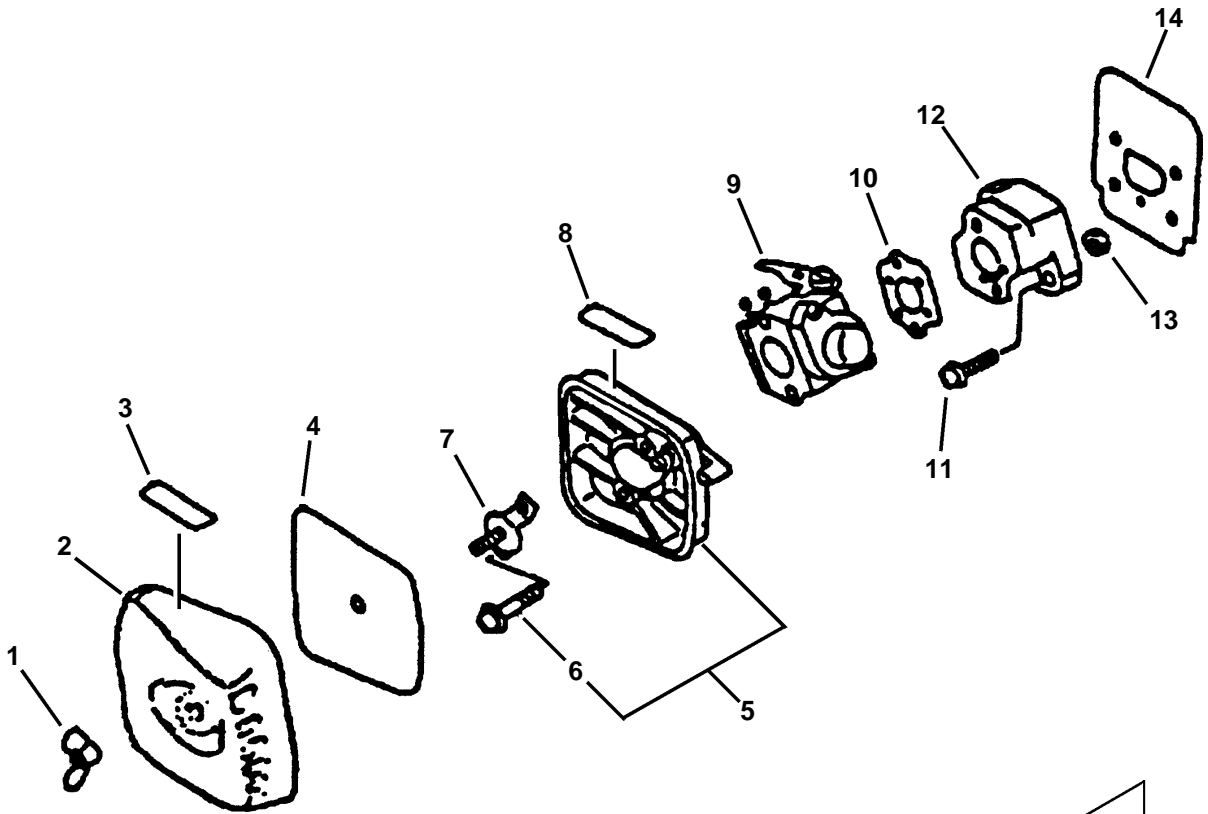
88900042033	1	GASKET KIT - CONTAINS THE FOLLOWING:
10101044332	1	GASKET, CYLINDER BASE
10024242030	1	GASKET, CRANKCASE
V103000111	1	GASKET, INTAKE
13001042032	1	GASKET, INTAKE
14586642031	1	GASKET, EXHAUST
V104000160	2	GASKET, EXHAUST



ITEM	PART NUMBER	QTY	DESCRIPTION	REMARKS
<u>SRM-2100 S/N 001001 - 289257 &amp; SRM-2110 S/N 001001 - 024169</u>				
1	15660144731	1	COIL, IGNITION	
2	15680144730	1	FLYWHEEL	
<u>SRM-2100 S/N 289258 &amp; UP &amp; SRM-2110 S/N 024170 &amp; UP</u>				
1	15662609660	1	COIL, IGNITION	
2	15680109660	1	FLYWHEEL	
3	90016204022	2	SCREW 4X22	
4	15611240630	1	GROMMET	
5	15901201620	1	CAP, SPARK PLUG	
6	15901103432	1	COIL, SPARK PLUG CAP	
7	15901010630	1	PLUG, SPARK BPM-7A	
8	61090355230	1	HOLDER KIT	INCLUDES ITEMS 9-11
9	90014205025	2	BOLT 5X25	
10	61092227432	1	HOLDER - UPPER	
11	61092355230	1	HOLDER - LOWER	
12	61091055230	1	CUSHION	
13	89011554130	1	LABEL, MODEL SRM-2100	
13	89011254130	1	LABEL, MODEL SRM-2110	
14	10150352131	1	FAN COVER ASY	
15	90016204016	6	SCREW 4X16	
16	90070100012	1	CIRCLIP 12	
17	90080706001	2	BEARING, BALL 6001	
18	90070200028	1	CIRCLIP 28	
19	17500548930	1	DRUM, CLUTCH	
20	17500056830	1	CLUTCH ASY	

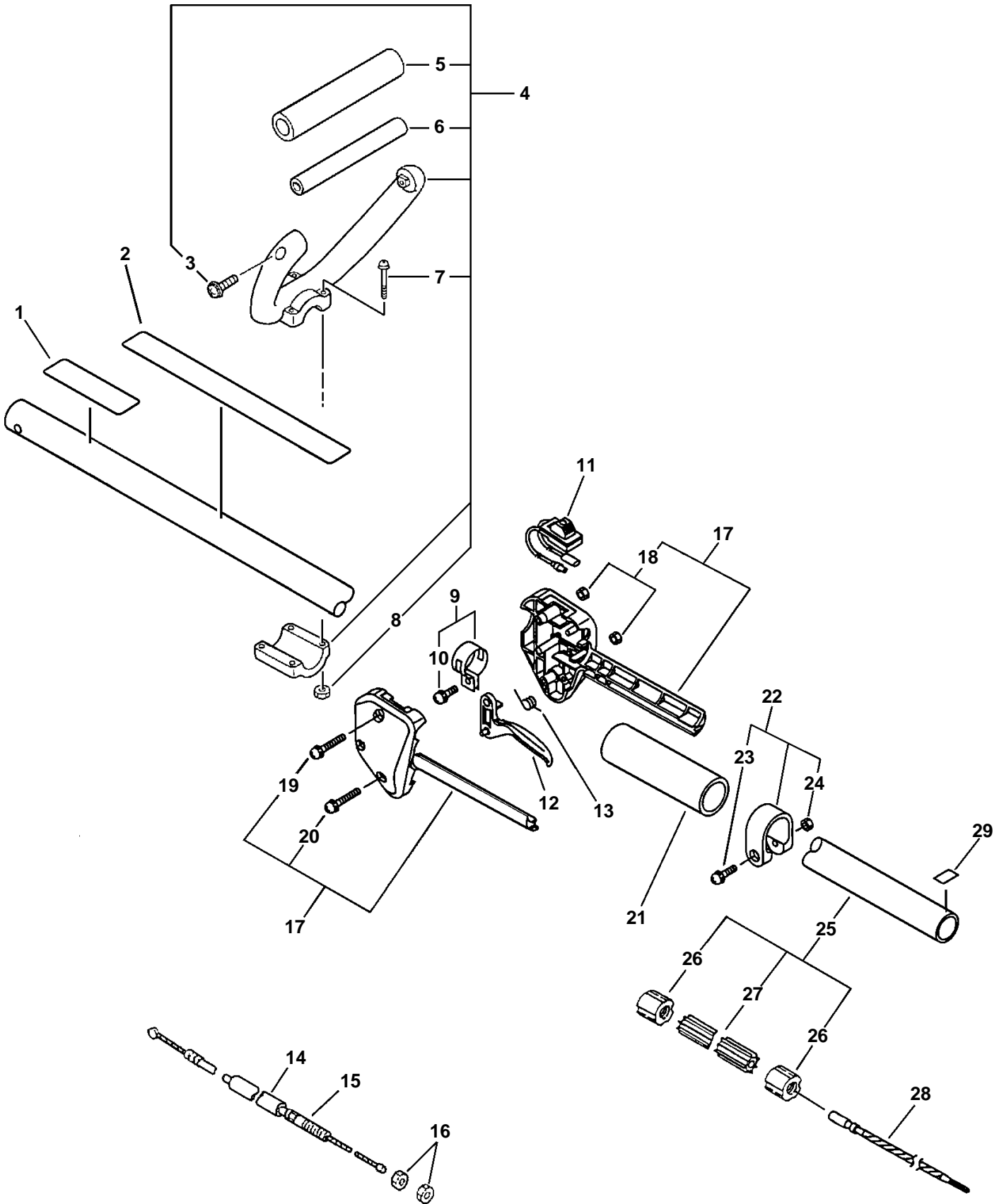


ITEM	PART NUMBER	QTY	DESCRIPTION	REMARKS
1	17720244330	1	STARTER PAWL ASY	INCLUDES ITEMS 2-3
2	17723442030	1	SPRING, RETURN	
3	17721844330	1	PAWL, STARTER	
4	17720054130	1	STARTER ASY	INCLUDES ITEMS 5-11
5	17723644330	1	SCREW	
6	17721544430	1	DRUM, STARTER	
7	17722610120	1	ROPE, STARTER	OPTIONAL BULK ROPE 99944444000 3mm(1/8in) X 1000mm(39-1/2in)
8	17722742030	1	GUIDE, ROPE	
9	17722806530	1	GRIP, STARTER	
10	17722042030	1	SPRING, REWIND	
11	17723244333	1	CASE, STARTER	
12	90016204016	2	SCREW 4X16	
13	89011849130	1	LABEL, ECHO	
14	13201013930	1	PIPE, FUEL - 3X5X180mm	OPTIONAL BULK LINE 90014
15	13201056330	1	PIPE, RETURN - 3X6X90mm	OPTIONAL BULK LINE 90017
16	13130056430	1	VENT ASY	
17	13131239130	1	PIPE, VENT - 3X5X70mm	OPTIONAL BULK LINE 90014
18	13211546730	1	GROMMET, FUEL	
19	13201309820	1	CLIP	
20	13120507320	1	FILTER, FUEL	
21	13100544331	1	TANK, FUEL	INCLUDES ITEM 22
22	13104528230	2	COLLAR	
23	90060300005	2	WASHER 5	
24	90023805016	2	SCREW 5X16	
25	13100455830	1	FUEL CAP ASY	INCLUDES ITEM 26
26	13101640930	1	GASKET, FUEL TANK CAP	

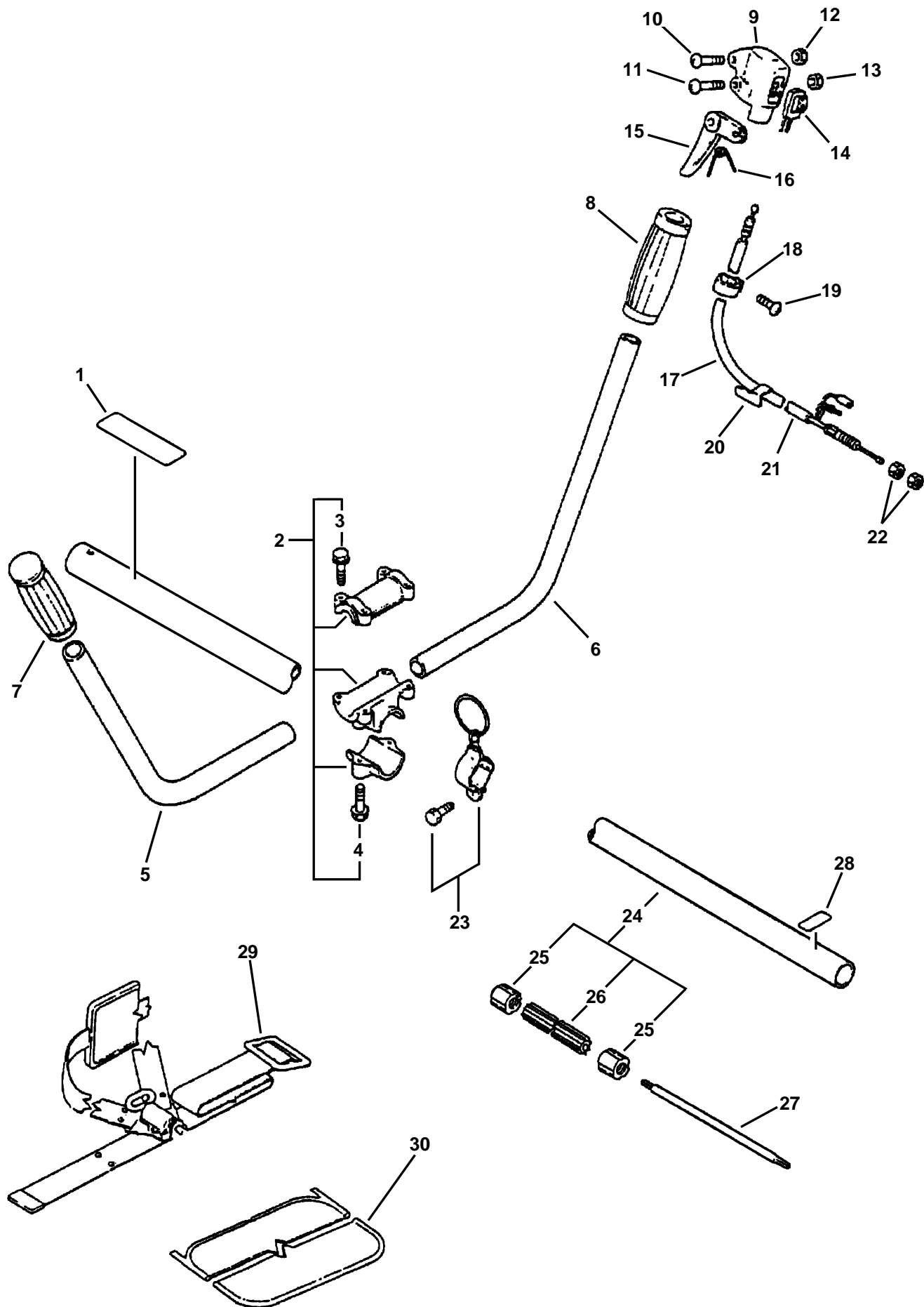




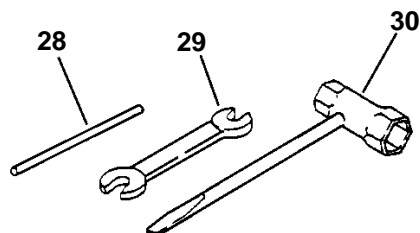
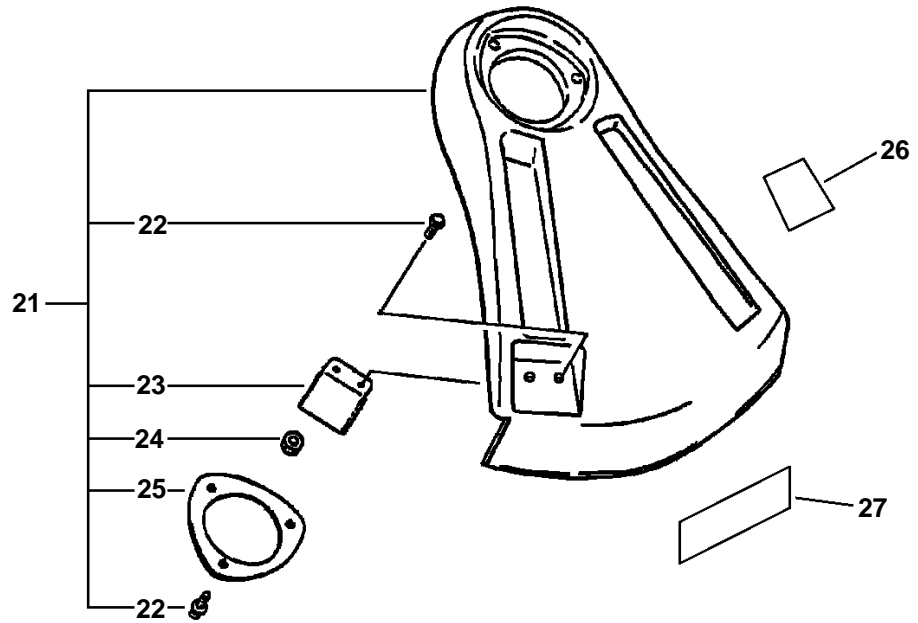
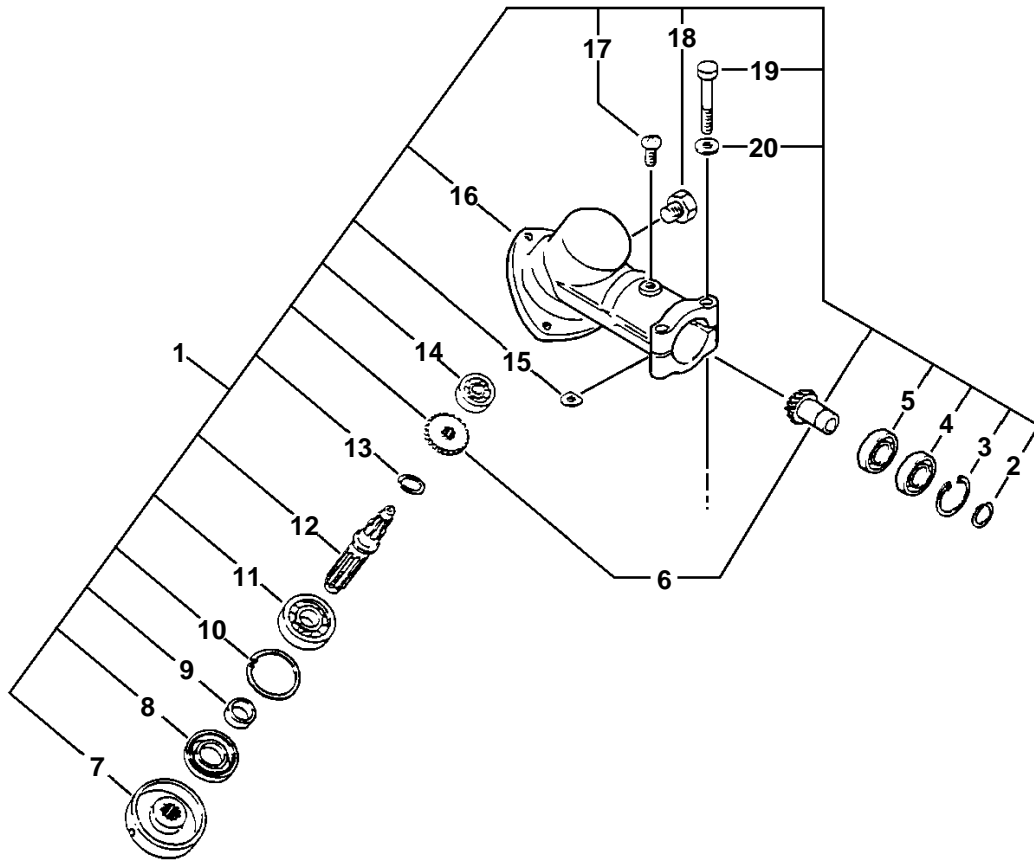
ITEM	PART NUMBER	QTY	DESCRIPTION	REMARKS
1	90052800005	1	NUT, WING 5	
2	13030206561	1	COVER, AIR CLEANER	
3	89018706960	1	LABEL, CAUTION	
4	13031054130	1	FILTER, AIR - HEAVY DUTY	
5	13030706561	1	CASE, AIR CLEANER	INCLUDES ITEM 6
6	90024205065	2	SCREW 5X65	
7	12901105060	1	PLATE, PREVENT	
8	89012106360	1	LABEL, CHOKE	
<u>SRM-2100 S/N 001001-205481 &amp; SRM-2110 S/N 001001-018529</u>				
9	12520050632	1	CARBURETOR C1U-K16	SEE PAGE 18-19
<u>SRM-2100 S/N 205482-290322 &amp; SRM-2110 S/N 018530-024170</u>				
9	12520049030	1	CARBURETOR CIU-47	SEE PAGE 20-21
<u>SRM-2100 S/N 290323 &amp; UP &amp; SRM-2110 S/N 024171 &amp; UP</u>				
9	12520013312	1	CARBURETOR CIU-K52	SEE PAGE 22-23
10	V103000111	1	GASKET, INTAKE	
11	90023805020	2	SCREW 5X20	
12	13001742031	1	INSULATOR	
13	90050000005	1	NUT 5	
14	13001042032	1	GASKET, INTAKE	
15	14580042031	1	MUFFLER ASY	INCLUDES ITEMS 16-21
16	V104000160	2	GASKET, INTAKE	
17	14587152130	1	COVER, MUFFLER	
18	14586240630	1	SCREEN, MUFFLER	
19	14586642031	1	GASKET, MUFFLER LID	
20	14580942030	1	HOLDER, SCREEN	
21	90023804010	3	SCREW 4X10	
22	90060000005	2	WASHER 5	
23	90010505055	2	BOLT 5X55	



ITEM	PART NUMBER	QTY	DESCRIPTION	REMARKS
1	89016044430	1	LABEL, CAUTION	
2	89016047630	1	LABEL, CAUTION	
3	90024605030	2	SCREW 5X30	
4	35120152130	1	LOOP HANDLE ASY	INCLUDES TIEMS 5-8
5	35121351730	1	GRIP, FRONT HANDLE	
6	35121051730	1	HANDLE, FRONT	
7	90024205035	4	SCREW 5X35	
8	90050000005	4	NUT 5	
9	30120029430	1	BAND	INCLUDES ITEM 10
10	90024205014	1	SCREW 5X14	
11	16340049230	1	SWITCH, IGNITION	
12	17801052130	1	CONTORL, THROTTLE	
13	17804342230	1	SPRING, THROTTLE RETURN	
14	17812706960	1	TUBE	
15	17800144430	1	CABLE, THROTTLE	
16	90050200006	2	NUT 6	
17	17800352130	1	THROTTLE BRACKET SET	INCLUDES ITEMS 18-20
18	90050000005	5	NUT 5	
19	90024205035	1	SCREW 5X35	
20	90024205025	1	SCREW 5X25	
21	35121352130	1	GRIP, FRONT HANDLE	
22	61027252130	1	BAND 25	INCLUDES ITEMS 23-24
23	90024205030	1	SCREW 5X30	
24	90050000005	1	NUT 5	
25	61060944730	1	DRIVESHAFT HOUSING ASY	INCLUDES ITEMS 26-27
26	61024644730	2	FIXTURE, LINER	
27	61021744730	1	LINER, FLEXIBLE	
28	61001344730	1	SHAFT, FLEXIBLE	
29	89015204930	1	LABEL, LOCATION	

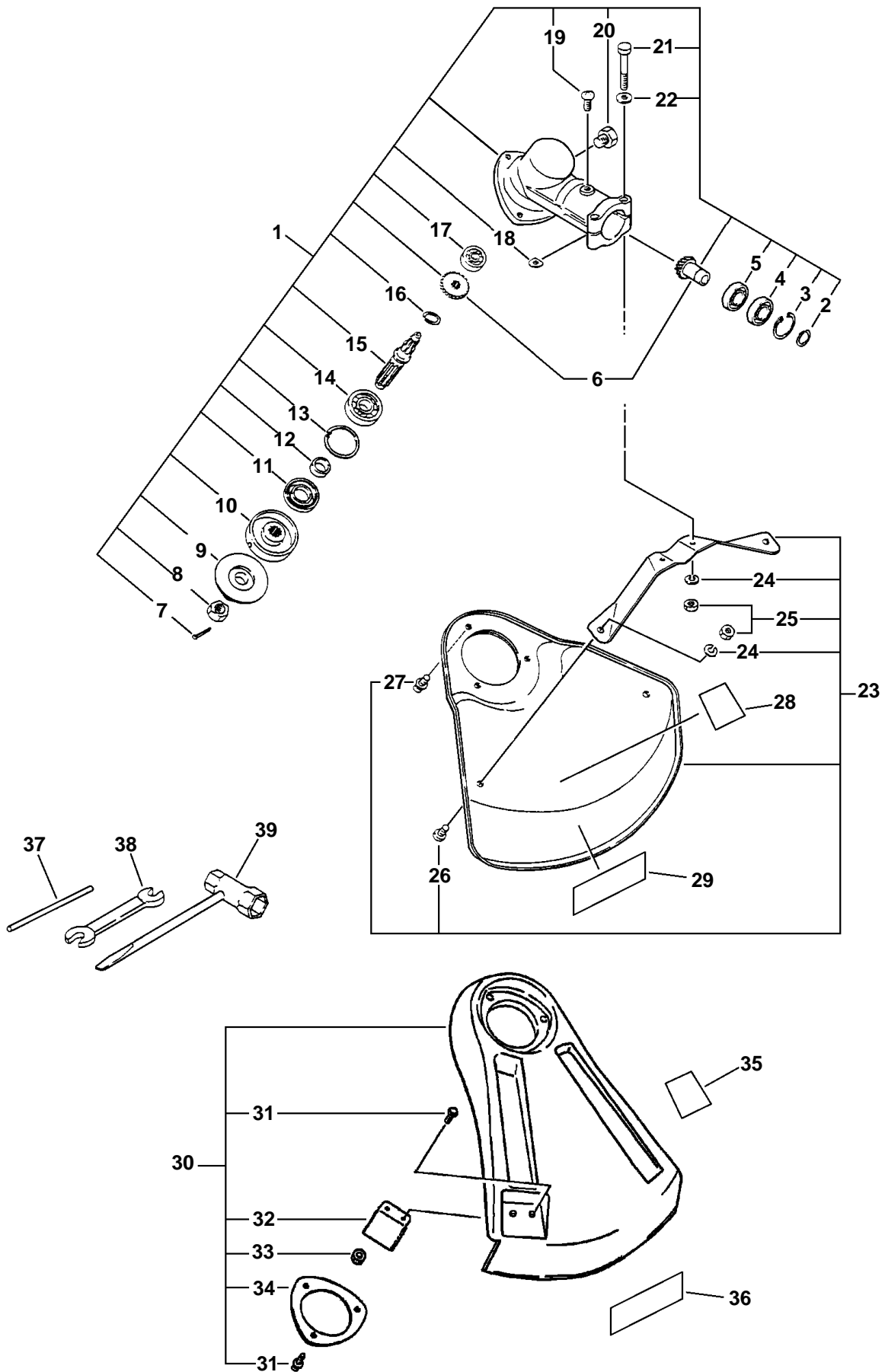


ITEM	PART NUMBER	QTY	DESCRIPTION	REMARKS
	<u>S/N 001001-503953</u>			
1	89016054130	1	LABEL, CAUTION	
2	P021000460	1	HANDLE BRACKET ASY	INCLUDES ITEMS 3-4
3	90014205025	4	BOLT 5X25	
4	90014206030	2	BOLT 6X30	
5	35121005530	1	HANDLE, FRONT - LEFT	
6	35101005530	1	HANDLE, FRONT - RIGHT	
7	35131102330	1	GRIP, HANDLE	
8	35131522130	1	GRIP, HANDLE	
9	17802451830	1	BRACKET, THROTTLE	
10	90022005025	1	SCREW 5X25	
11	17811005330	1	SCREW	
12	90056000005	1	LOCKNUT 5	
13	90050000005	1	NUT 5	
14	16340149230	1	SWITCH, IGNITION	
15	17801006460	1	CONTROL, THROTTLE	
16	17804305230	1	SPRING, THROTTLE RETURN	
17	17800141330	1	CABLE, THROTTLE	
18	17810605330	1	BAND	
19	90022005010	1	SCREW 5X10	
20	17811104930	1	CLIP, THROTTLE WIRE	
21	17812708030	1	TUBE 10X11X750	
22	17802105530	2	LOCKNUT	
23	30120021330	1	HOOK ASY	
24	61060944730	1	DRIVESHAFT HOUSING ASY	INCLUDES ITEMS 25-26
25	61024644730	2	FIXTURE, LINER	
26	61021744730	1	LINER, FLEXIBLE	
27	61001344730	1	SHAFT, FLEXIBLE	
28	89015204930	1	LABEL, LOCATION	
29	30100052131	1	HARNESS ASY	
30	30110541830	1	PAD, WAIST	



31

ITEM	PART NUMBER	QTY	DESCRIPTION	REMARKS
1	61040247731	1	GEAR HOUSING ASY	INCLUDES ITEMS 2-20
2	90070600010	1	CIRCLIP 10	
3	90070200022	1	CIRCLIP 22	
4	90085806900	1	BEARING, BALL 6900	
5	90085506900	1	BEARING, BALL 6900	
6	61030044830	1	GEAR SET, BEVEL	
7	61031347731	1	PLATE, ADAPTER (U)	
8	61041307130	1	OILSEAL	
9	61031507130	1	SPACER	
10	90070200032	1	CIRCLIP 32	
11	90081006201	1	BEARING, BALL 6201	
12	61036008931	1	SHAFT, P.T.O.	
13	90070600012	1	CIRCLIP 12	
14	90080000609	1	BEARING, BALL 609	
15	61023904130	2	WASHER, SHIM	
16	61046027430	1	HOUSING, GEAR	
17	90024205010	1	SCREW 5X10	
18	90010008008	1	BOLT 8X8	
19	90010005035	2	BOLT 5X35	
20	90060000005	2	WASHER 5	
21	P021001391	1	SHIELD ASY	INCLUDES ITEMS 22-25
22	90024205016	5	SCREW 5X16	
23	69901644330	1	KNIFE, CORD	
24	90050000005	2	NUT 5	
25	69901840830	1	BRACKET, SHIELD	
26	89016844830	1	LABEL, CAUTION	
27	89011848830	1	LABEL, ECHO	
28	89751801131	1	LOCKING TOOL	
29	89511200330	1	SPANNER 8X10	
30	89541008030	1	WRENCH, W/SCREWDRIVER	





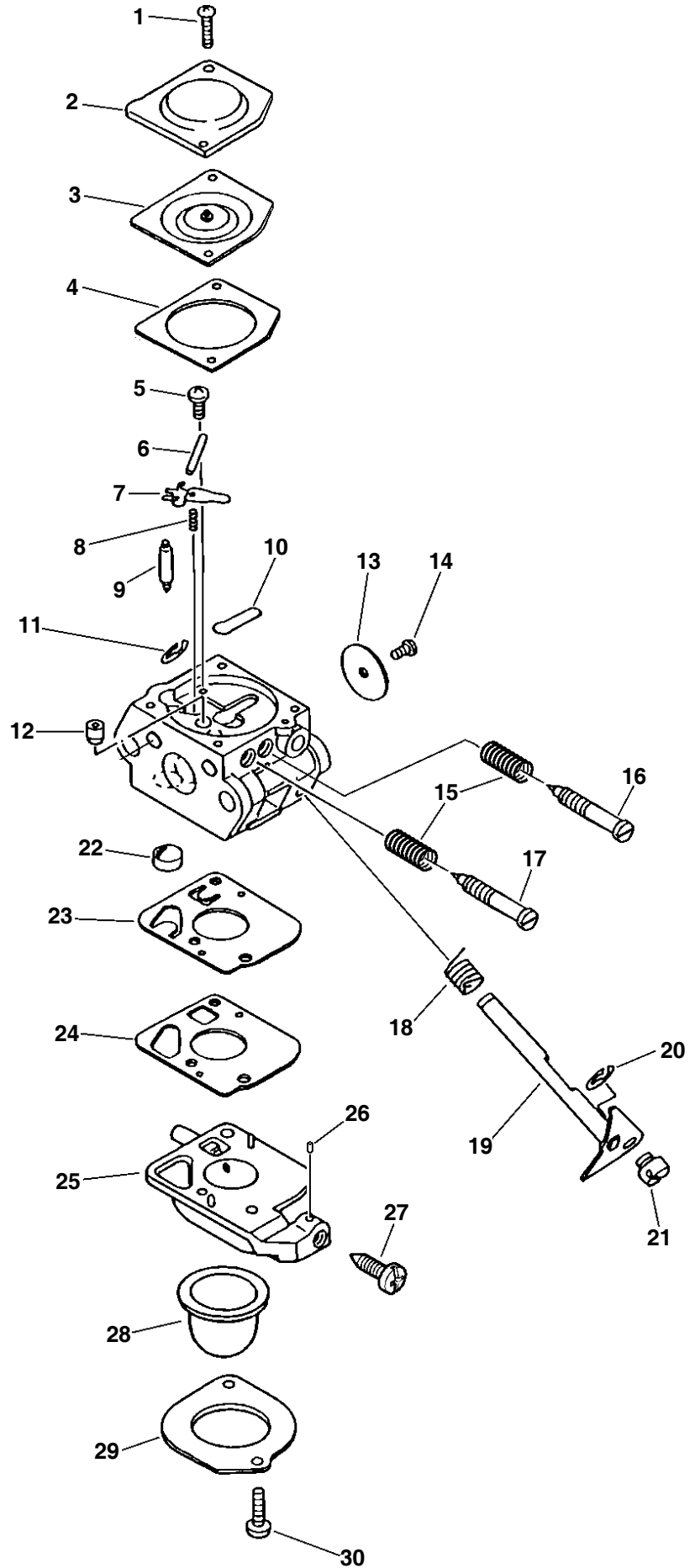
ITEM	PART NUMBER	QTY	DESCRIPTION	REMARKS
1	61040240930	1	GEAR HOUSING ASY	INCLUDES ITEMS 2-22
2	90070600010	1	CIRCLIP 10	
3	90070200022	1	CIRCLIP 22	
4	90085806900	1	BEARING, BALL 6900	
5	90085506900	1	BEARING, BALL 6900	
6	61030044830	1	GEAR SET, BEVEL	
7	90030020022	1	PIN, SPLIT 2X22	
8	90051100010	1	NUT 10 - LEFT HANDED	
9	61031404131	1	PLATE, ADAPTER - LOWER	
10	61033808930	1	PLATE, ADAPTER - UPPER	
11	61041307130	1	SEAL, OIL	
12	61031507130	1	SPACER	
13	90070200032	1	CIRCLIP 32	
14	90081006201	1	BEARING, BALL 6201	
15	61036008931	1	SHAFT, P.T.O.	
16	90070600012	1	CIRCLIP 12	
17	90080000609	1	BEARING, BALL 609	
18	61023904130	2	WASHER, SHIM	
19	90024205010	1	SCREW 5X10	
20	61043450030	1	BOLT 8X6	
21	90010005035	2	BOLT 5X35	
22	90060000005	2	WASHER 5	
23	69900023431	1	SHIELD ASY	INCLUDES ITEMS 24-27
24	90060500005	4	WASHER, SPRING 5	
25	90050000005	4	NUT 5	
26	90022005008	2	SCREW 5X8	
27	90024205010	3	SCREW 5X10	
28	89011848830	1	LABEL, ECHO	
28	89016844830	1	LABEL, CAUTION	
30	P021001391	1	SHIELD ASY	INCLUDES ITEMS 31-34
31	90024205016	5	SCREW 5X16	
32	69901644330	1	KNIFE, CORD	
33	90050000005	2	NUT 5	
34	69901840830	1	BRACKET, SHIELD	
35	89016844830	1	LABEL, CAUTION	
36	89011848830	1	LABEL, ECHO	
37	89751801131	1	LOCKING TOOL	
38	89511200330	1	SPANNER 8X10	
39	89541008030	1	WRENCH, W/SCREWDRIVER	

# SRM-2100 & SRM-2110

## CARBURETOR

SRM-2100 S/N 159491-205481

SRM-2110 S/N 001001-018529



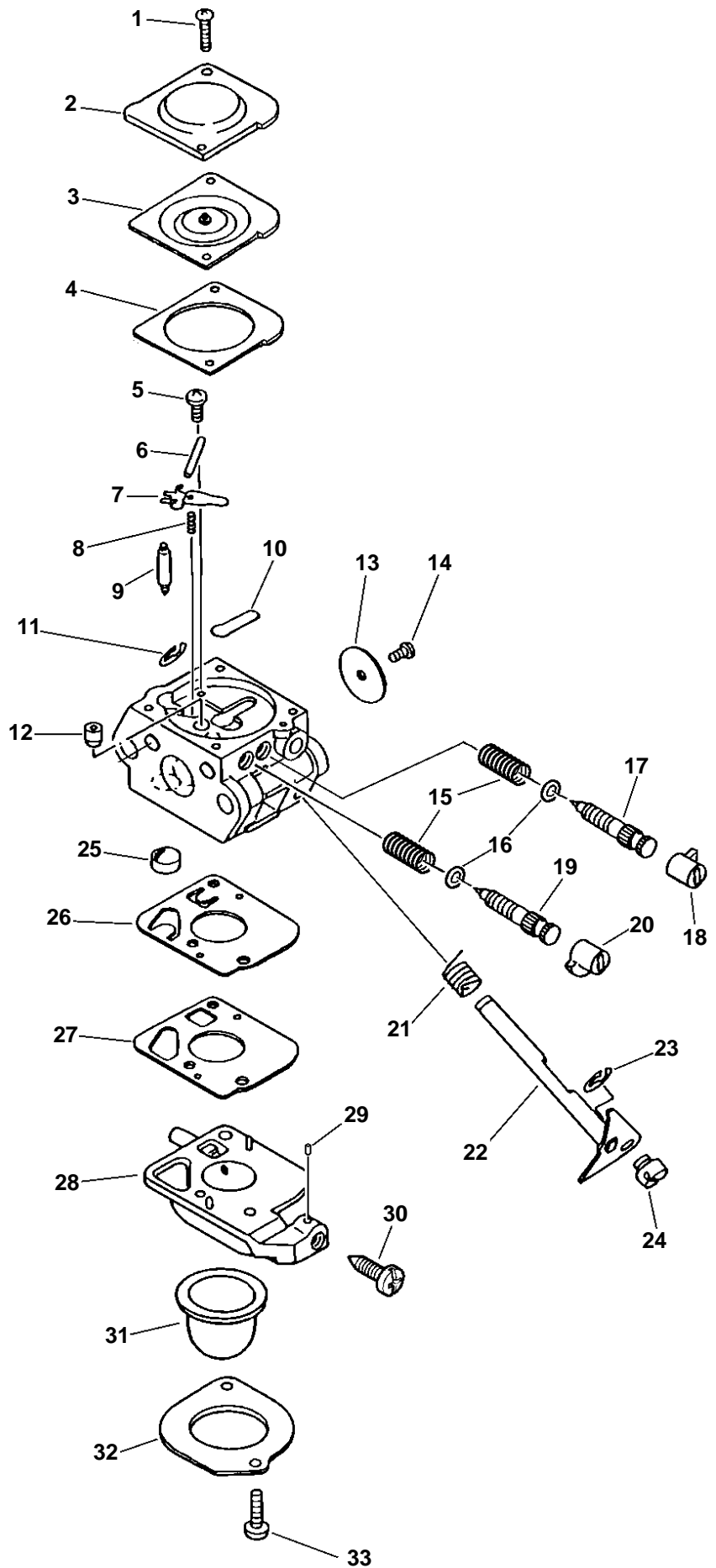
ITEM	PART NUMBER	QTY	DESCRIPTION	REMARKS
<u>SRM-2100 S/N 159491-205481 &amp; SRM-2110 S/N 001001-018529</u>				
	125200 50632	1	CARBURETOR C1U-K16	INCLUDES THE FOLLOWING ITEMS:
1	12534413931	2	SCREW	
2	12534252130	1	COVER, DIAPHRAGM	
3	A B	1	DIAPHRAGM	
4	A B	1	GASKET, DIAPHRAGM	
5	12533942030	1	SCREW	
6	A	1	PIN	
7	A	1	ARM, VALVE	
8	A	1	SPRING, COIL	
9	A	1	VALVE, NEEDLE	
10	A	1	PLUG, WELCH	
11	12532715130	1	CLIP	
12	12537611610	1	NOZZLE, CHECK VALVE	
13	12531642030	1	VALVE, THROTTLE	
14	12531413930	1	SCREW	
15	12531942030	2	SPRING, COIL	
16	12532047630	1	NEEDLE, HIGH SPEED	
17	12531842030	1	NEEDLE, IDLE	
18	12531342030	1	SPRING, THROTTLE RETURN	
19	12531742030	1	SHAFT, THROTTLE	
20	12532713930	1	CLIP	
21	12537242030	1	SWIVEL	
22	A	1	STRAINER	
23	A B	1	DIAPHRAGM, FUEL PUMP	
24	A B	1	GASKET, FUEL PUMP	
25	12532411610	1	COVER, PUMP	
26	12537813930	1	PIECE, FRICTION	
27	12533413930	1	SCREW, IDLE ADJUST	
28	12538146730	1	PUMP, PRIMER	
29	12536311610	1	RING	
30	12531011610	2	SCREW	
A	12530042030	1	REPAIR KIT	
B	12530342030	1	GASKET/DIAPHRAGM KIT	

# SRM-2100 & SRM-2110

## CARBURETOR

SRM-2100 S/N 205482-290322

SRM-2110 S/N 018530-024170



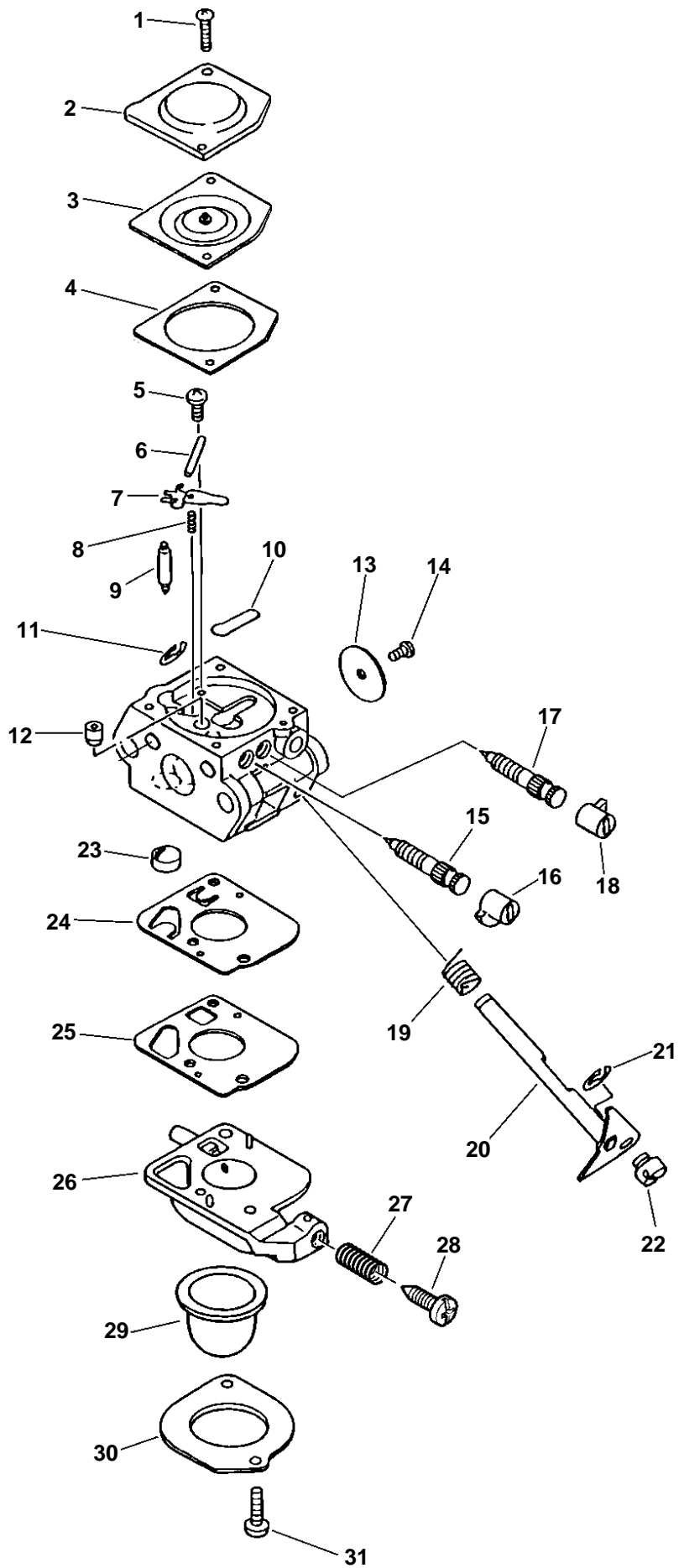
ITEM	PART NUMBER	QTY	DESCRIPTION	REMARKS
<u>SRM-2100 S/N 205482-290322 &amp; SRM-2110 S/N 018530-024170</u>				
	12520049030	1	CARBURETOR C1U-K47	INCLUDES THE FOLLOWING:
1	12534452130	2	SCREW	
2	12534213210	1	COVER, METERING DIAPHRAGM	
3	A B	1	DIAPHRAGM, METERING	
4	A B	1	GASKET, METERING DIAPHRAGM	
5	12533942030	1	SCREW	
6	A	1	PIN, METERING ARM	
7	A	1	LEVER, METERING	
8	A	1	SPRING, METERING LEVER	
9	A	1	VALVE, INLET NEEDLE	
10	A	1	PLUG, WELCH	
11	12532715130	1	CLIP	
12	12537649030	1	NOZZLE, CHECK VALVE	
13	12531649030	1	VALVE, THROTTLE	
14	12531413930	1	SCREW	
15	12531942030	2	SPRING, NEEDLE	
16	12535320560	2	WASHER	
17	12531807360	1	NEEDLE, LO SPEED	
18	12532909860	1	CAP, LIMITER - LO SPEED	
19	12532007360	1	NEEDLE, HIGH SPEED	
20	12532939030	1	CAP, LIMITER - HIGH SPEED	
21	12531342030	1	SPRING, THROTTLE RETURN	
22	12531749030	1	SHAFT, THROTTLE	
23	12532713930	1	CLIP	
24	12537242030	1	SWIVEL	
25	A	1	STRAINER	
26	A B	1	DIAPHRAGM, FUEL PUMP	
27	A B	1	GASKET, FUEL PUMP	
28	12538313310	1	BASE, PURGE	
29	12537813930	1	PIECE, FRICTION	
30	12533413930	1	SCREW, IDLE ADJUST	
31	12538108660	1	PUMP, PURGE	
32	12536311610	1	RETAINER, PURGE PUMP	
33	12531011610	2	SCREW	
A	12530049030	1	REPAIR KIT	
B	12530349030	1	GASKET/DIAPHRAGM KIT	

# SRM-2100 & SRM-2110

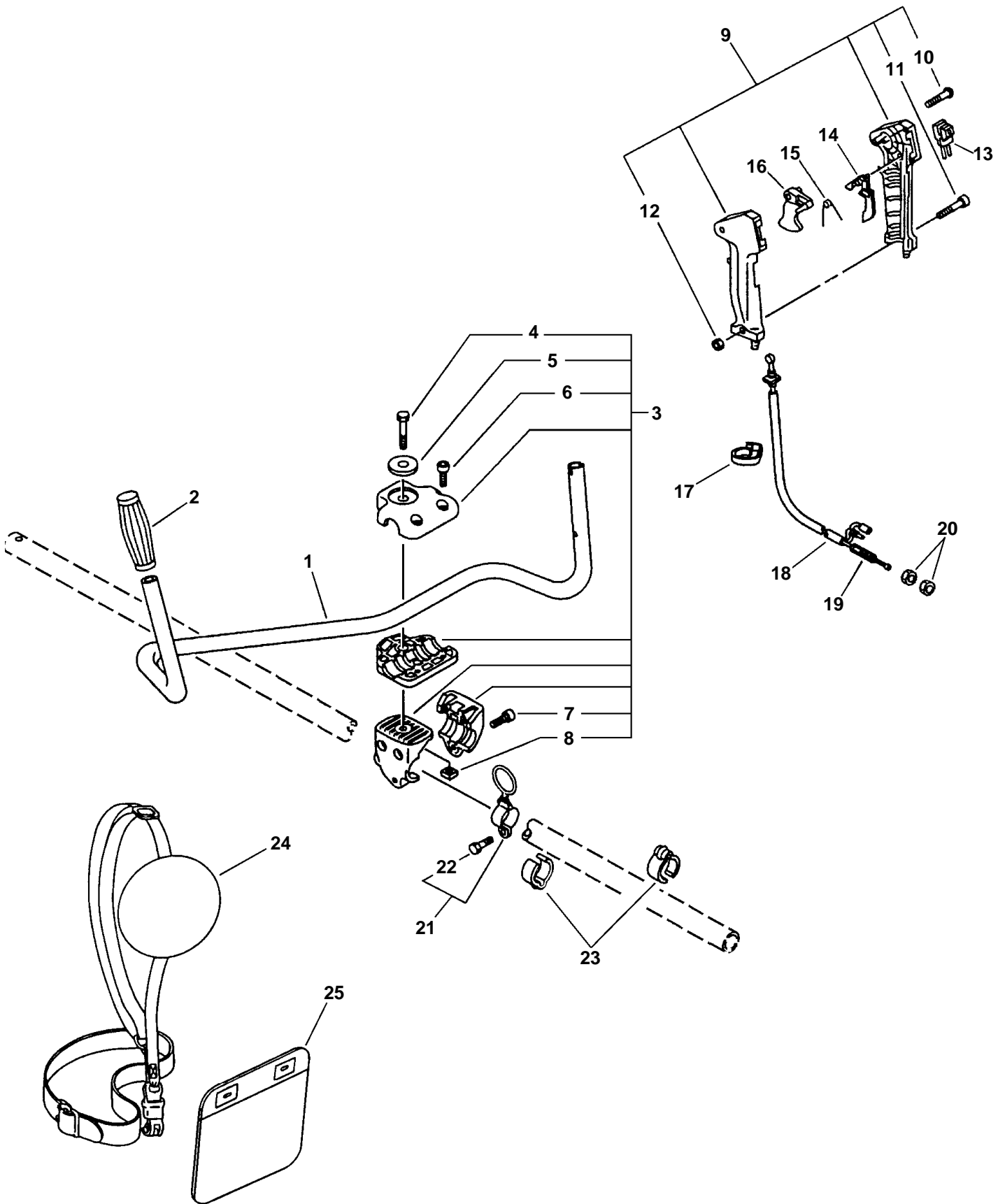
## CARBURETOR

SRM-2100 S/N 290323 & UP

SRM-2110 S/N 024171 & UP

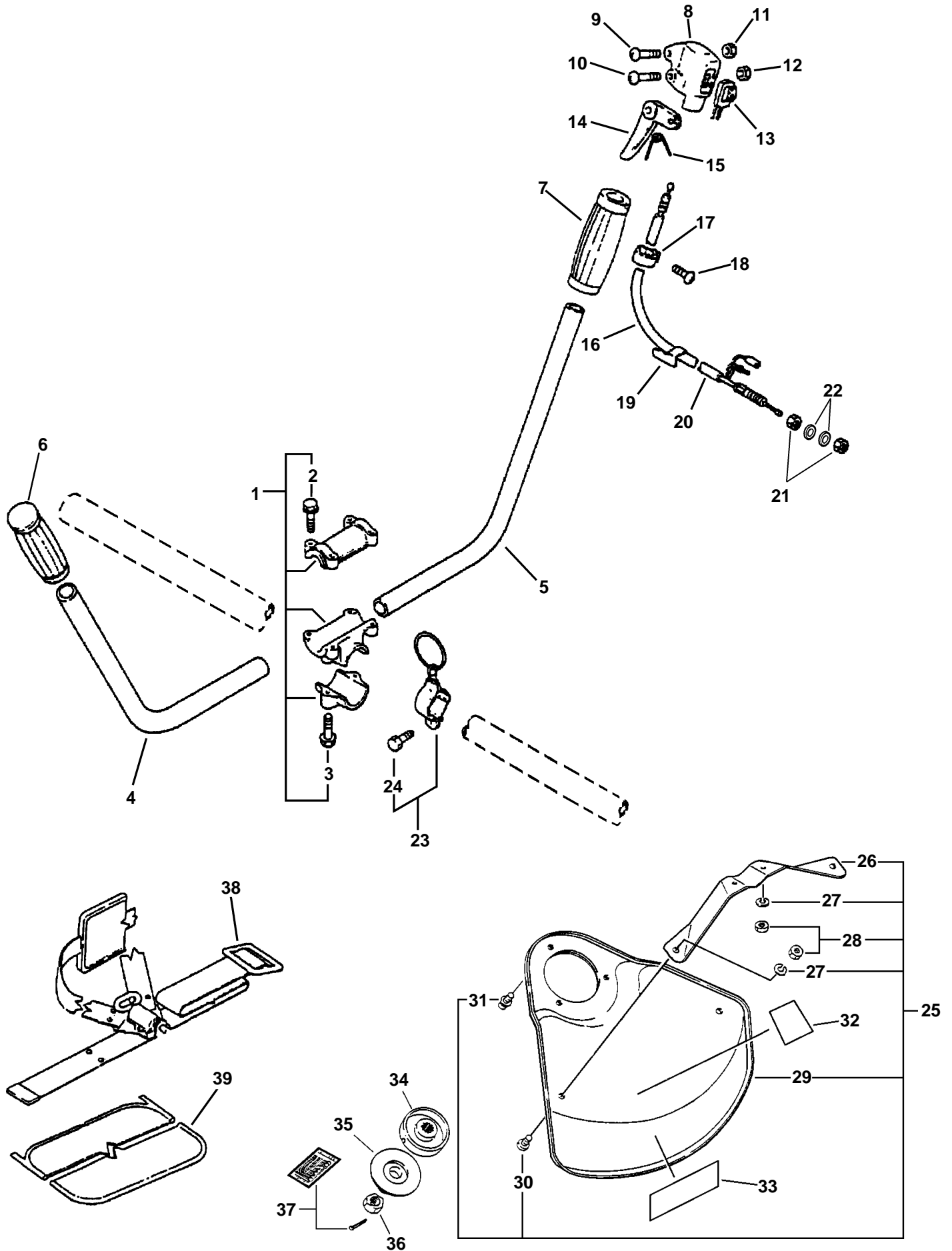


ITEM	PART NUMBER	QTY	DESCRIPTION	REMARKS
SRM-2100 S/N 290323 & UP & SRM-2110 S/N 024171 & UP				
	12520013312	1	CARBURETOR C1U-K52	INCLUDES THE FOLLOWING ITEMS:
1	12534452130	2	SCREW	
2	12534213210	1	COVER, METERING CHAMBER	
3	A B	1	DIAPHRAGM, METERING	
4	A B	1	GASKET, DIAPHRAGM METERING	
5	12533942030	1	SCREW, METERING PIN	
6	A	1	PIN, METERING LEVER	
7	A	1	LEVER, METERING	
8	A	1	SPRING, METERING LEVER	
9	A	1	VALVE, NEEDLE	
10	A	1	PLUG, WELCH	
11	12532715130	1	CLIP, THROTTLE SHAFT	
12	12537649030	1	NOZZLE, CHECK VALVE	
13	12531649030	1	VALVE, THROTTLE	
14	12531413930	1	SCREW, THROTTLE VALVE	
15	12532013310	1	NEEDLE, HIGH SPEED	
16	12532939030	1	CAP, LIMITER H.S.	
17	12531813310	1	NEEDLE, IDLE	
18	12532909860	1	CAP, LIMITER L.S.	
19	12531342030	1	SPRING, THROTTLE RETURN	
20	12531713310	1	SHAFT, THROTTLE	
21	12532713930	1	CLIP, SWIVEL	
22	12537242030	1	SWIVEL	
23	A	1	STRAINER	
24	A B	1	DIAPHRAGM, FUEL PUMP	
25	A B	1	GASKET, FUEL PUMP	
26	12538313310	1	BASE, PURGE	
27	12533306960	1	SPRING, IDLE ADJUSTER	
28	12533406960	1	SCREW, IDLE ADJUST	
29	12538108660	1	PUMP, PURGE	
30	12536311610	1	RING	
31	12531011610	2	SCREW	
A	12530013310	1	REPAIR KIT	
B	12530313310	1	GASKET/DIAPHRAGM KIT	





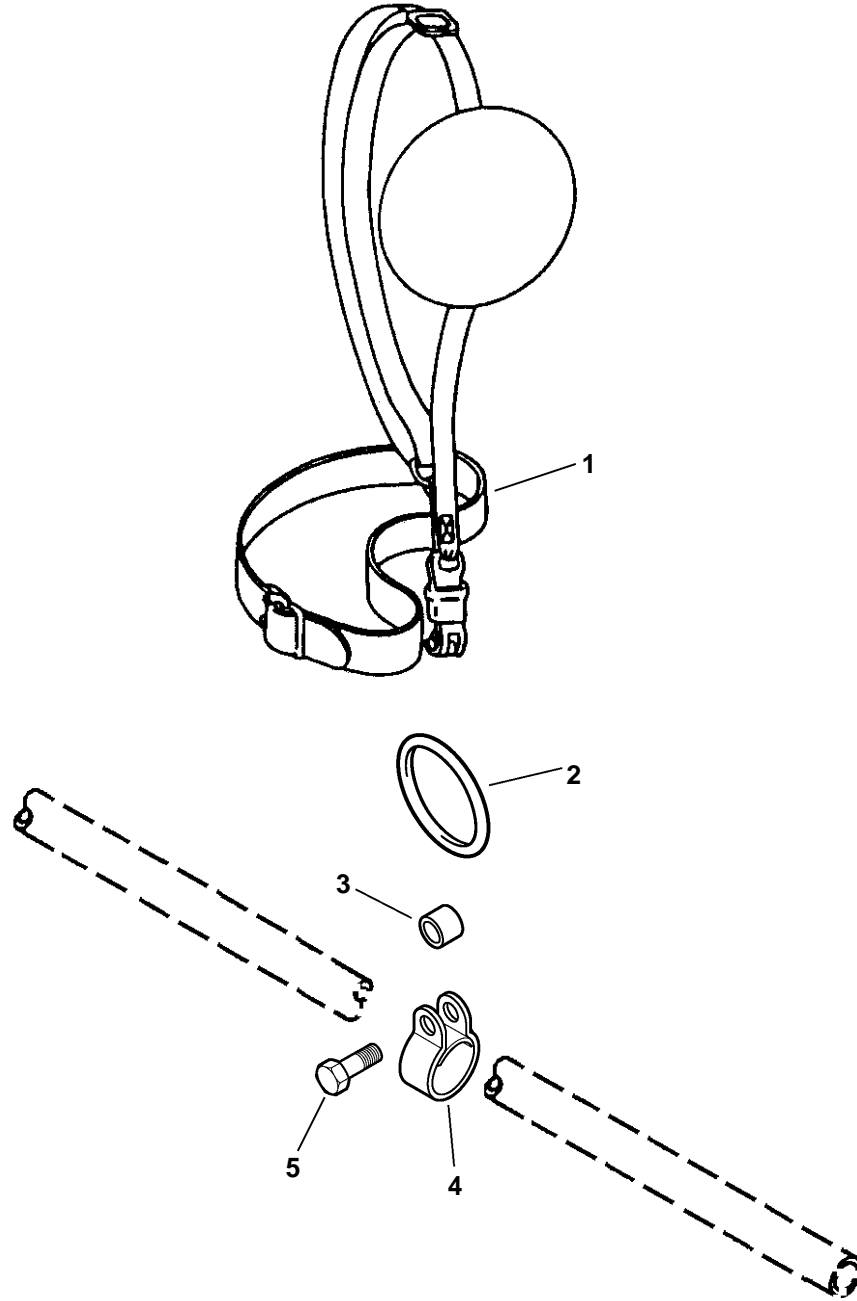
ITEM	PART NUMBER	QTY	DESCRIPTION	REMARKS
1	C400000000	1	HANDLE, FRONT	
2	35131102330	1	GRIP, HANDLE	
3	35130152130	1	HANDLE BRACKET ASY	INCLUDES ITEMS 4-8
4	35142152130	1	BOLT	
5	60501454230	1	WASHER	
6	90016205020	2	BOLT 5X20	
7	90016205030	3	BOLT 5X30	
8	90056550008	1	NUT	
9	35110247530	1	FRONT HANDLE GRIP ASY	INCLUDES ITEMS 10-12
10	90024603025	4	SCREW 3X25	
11	90022005030	1	SCREW 5X30	
12	90050000005	1	NUT 5	
13	16340149230	1	SWITCH, IGNITION	
14	17801205960	1	LOCKOUT, THROTTLE	
15	17801335631	1	SPRING, THROTTLE LOCK	
16	17801005960	1	CONTROL, THROTTLE	
17	15911209960	1	CLIP	
18	V475000000	1	TUBE	
19	17800147530	1	CABLE, THROTTLE	
20	90050200006	2	NUT 6	
21	30120021330	1	HOOK RING ASY	INCLUDES ITEM 22
22	90010005012	1	BOLT 5X12	
23	22492452130	2	CLIP	
24	30100052131	1	HARNESS, SHOULDER	
25	30110541830	1	CUSHION	



**OPTIONAL COMBINATION U-HANDLE/BLADE  
CONVERSION KIT 99944200451**

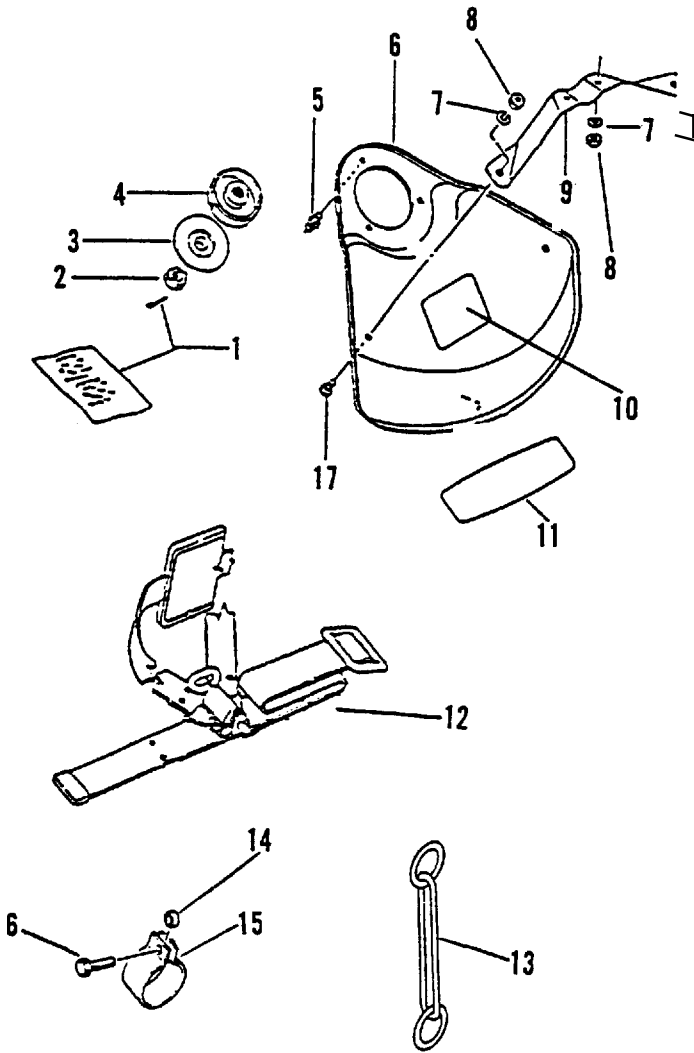
**SRM-2100**

ITEM	PART NUMBER	QTY	DESCRIPTION	REMARKS
1	P021000460	1	BRACKET SET	INCLUDES ITEMS 2-3
2	90014205025	4	BOLT 5X25	
3	90014206030	2	BOLT 6X30	
4	35121005530	1	HANDLE - LEFT	
5	35101005530	1	HANDLE - RIGHT	
6	35131122430	1	GRIP	
7	35131522130	1	GRIP	
8	17802451830	1	BRACKET, THROTTLE	
9	17811005330	1	SCREW	
10	90024205025	1	SCREW 5X25	
11	90056000005	1	LOCKNUT 5	
12	90050000005	1	NUT 5	
13	16340149230	1	SWITCH, IGNITION	
14	17801006460	1	TRIGGER, THROTTLE	
15	17804305230	1	SPRING, RETURN	
16	17800141330	1	CABLE, THROTTLE	
17	17810605330	1	BAND	
18	90022005010	1	SCREW 5X10	
19	17811104930	1	CLAMP	
20	17812708030	1	TUBE	
21	90050300006	2	NUT 6	
22	90060000006	2	WASHER 6	
23	30120021330	1	HOOK	
24	90010005012	1	BOLT 5X12	
25	69900023431	1	SHIELD ASY	INCLUDES ITEMS 26-31
26	69901523431	1	BRACKET	
27	90060500005	4	WASHER, SPRING 5	
28	90050000005	4	NUT 5	
29	69901023531	1	SHIELD	
30	90022005008	2	SCREW 5X8	
31	90024205010	3	SCREW 5X10	
32	89016841030	1	LABEL, CAUTION	
33	89011848830	1	LABEL, ECHO	
34	61033808930	1	PLATE, FITTING - UPPER	
35	61031404131	1	PLATE, FITTING - LOWER	
36	90051100010	1	NUT 10, LEFT	
37	90030020022	1	PIN, SPLIT (10 PER PACKAGE)	
38	30100052131	1	HARNESS ASY	
39	30110541830	1	PAD, WAIST	

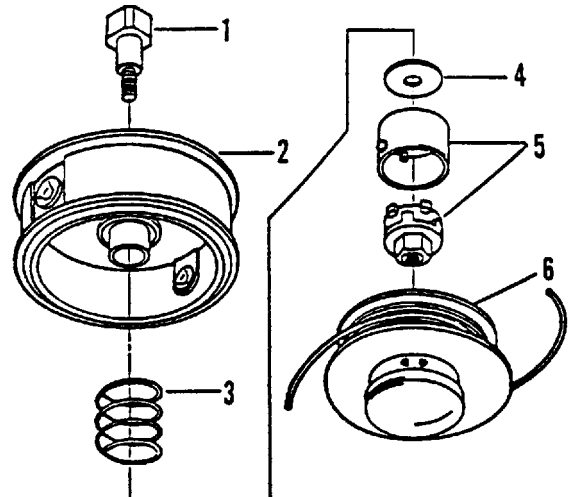


ITEM	PART NUMBER	QTY	DESCRIPTION	REMARKS
1	30100052131	1	HARNESS ASY	
2	30130524330	1	RING	
3	69901203330	1	SPACER	
4	30120708930	1	RING, CLAMP	
5	90010005018	1	BOLT	

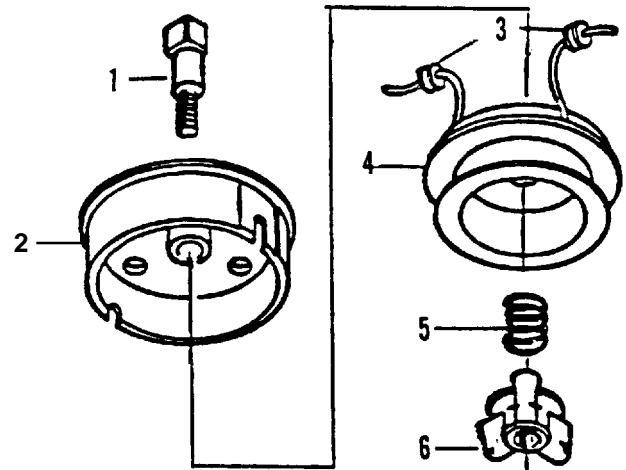
### 99944200410 BLADE CONVERSION KIT



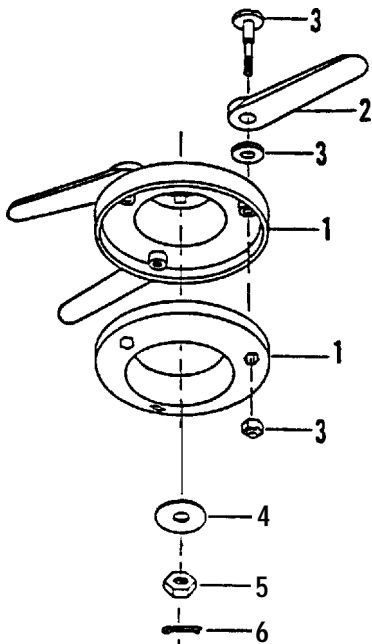
### 21560050 SEMI-AUTO HEAD



### 21560060 MANUAL HEAD ASY



### 215211 PRO MAXI-CUT



69500120330



69600120330

ITEM	PART NUMBER	QTY	DESCRIPTION	REMARKS
<u>99944200410 BLADE CONVERSION KIT</u>				
1	90030020022	1	PIN, SPLIT (10 PER PACKAGE)	
2	90051100010	1	NUT 5 - LEFT HAND	
3	61031404131	1	PLATE, FITTING - LOWER	
4	61033808930	1	PLATE, FITTING - UPPER	
5	90024205010	3	SCREW 5X10	
6	69901023531	1	SHIELD, METAL	
7	90060500005	4	WASHER, SPRING 5	
8	90050000005	4	NUT 5	
9	69901523431	1	BRACKET, SHIELD	
10	89016841030	1	DECAL, CAUTION	
11	89011848830	1	DECAL, ECHO	
12	30100052130	1	HARNES ASY	
13	30130524330	1	LINK	
14	69901203330	1	SPACER	
15	30120708930	1	LINK, HOOK	
16	90010005018	1	BOLT 5X18	
17	90022005008	2	SCREW 5X8	
<u>21560050 SEMI-AUTO HEAD</u>				
1	215601	1	BOLT, SHAFT M10X1.25 - LEFT HAND	
2	215602	1	DRUM W/EYELETS	
3	215603	1	SPRING	
4	215604	1	WASHER	
5	215609	1	DRIVE, OUTER & CAM, INNER - LEFT HAND	
6	215607	1	SPOOL - LINE DIAMETER 0.095	
<u>21560060 MANUAL HEAD ASY</u>				
1	215601	1	BOLT, SHAFT M10X1.25 - LEFT HAND	
2	215702	1	HOUSING	
3	215703	2	EYELETS	
4	215704	1	SPOOL - LINE DIAMETER 0.095	
5	215705	1	SPRING	
6	215706	1	KNOB	
<u>215211 PRO MAXI-CIT</u>				
1	N/A	1	BODY, HEAD - NOT AVAILABLE SEPARATELY USE ORIGINAL PART NUMBER 215211	
2	215212	1	BLADE SET (3)	
3	215213	1	FASTENER SET (3)	
4	215103	1	WASHER, MOUNTING	
5	90051100010	1	NUT, MOUNTING M10X1.25	
6	90030020022	2	COTTER PIN	

69500120330 8 INCH BRUSH BLADE

69500120330 8 INCH, 80 TOOTH KNIFE BLADE