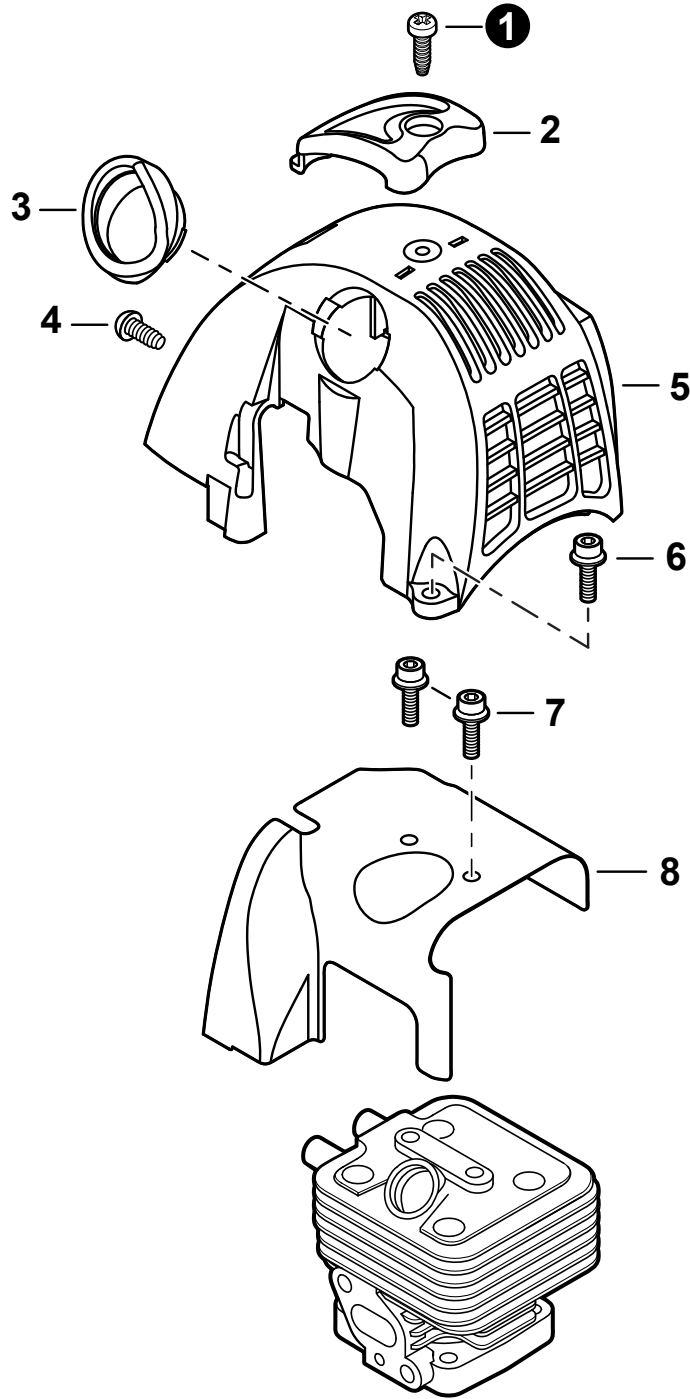
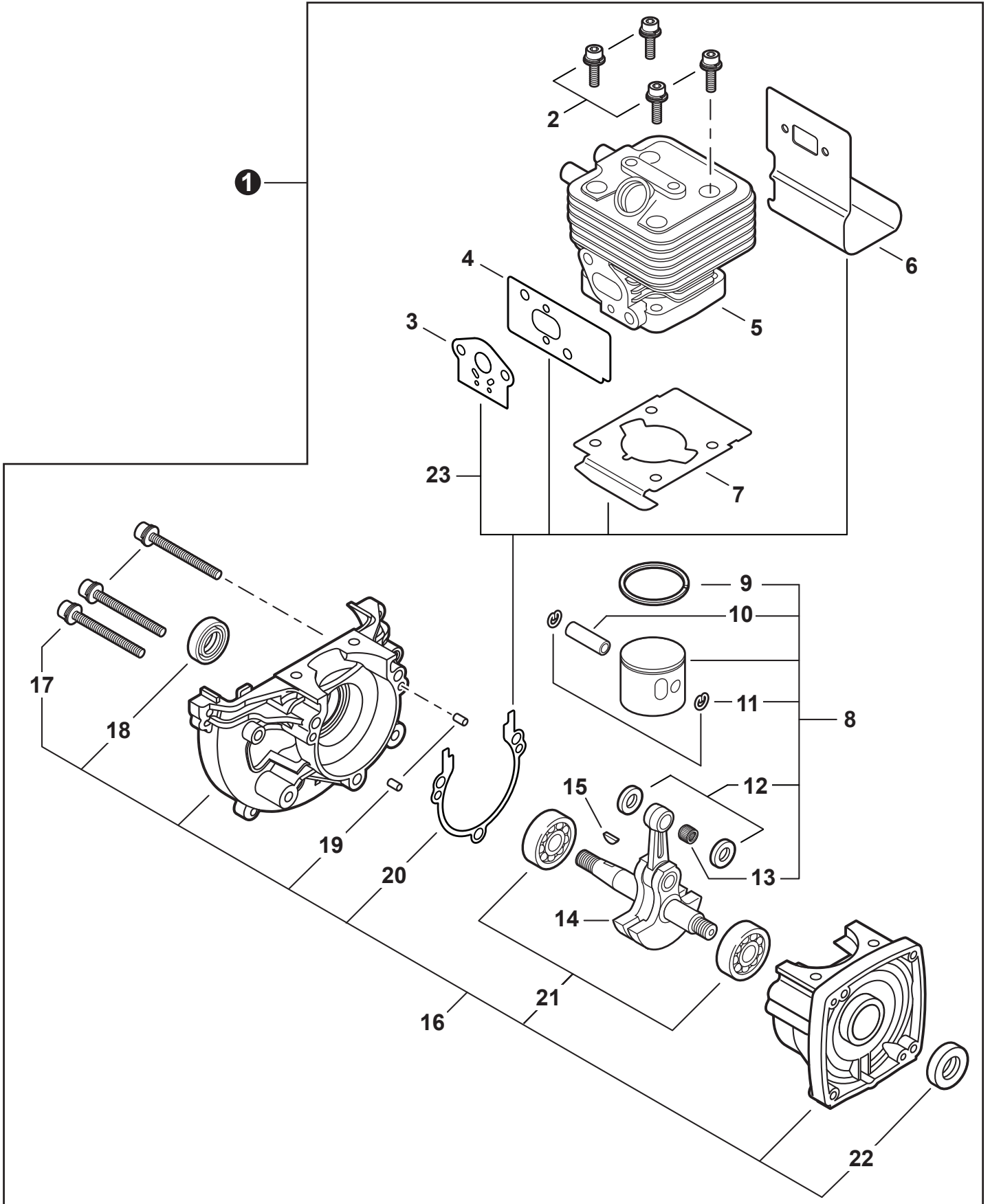




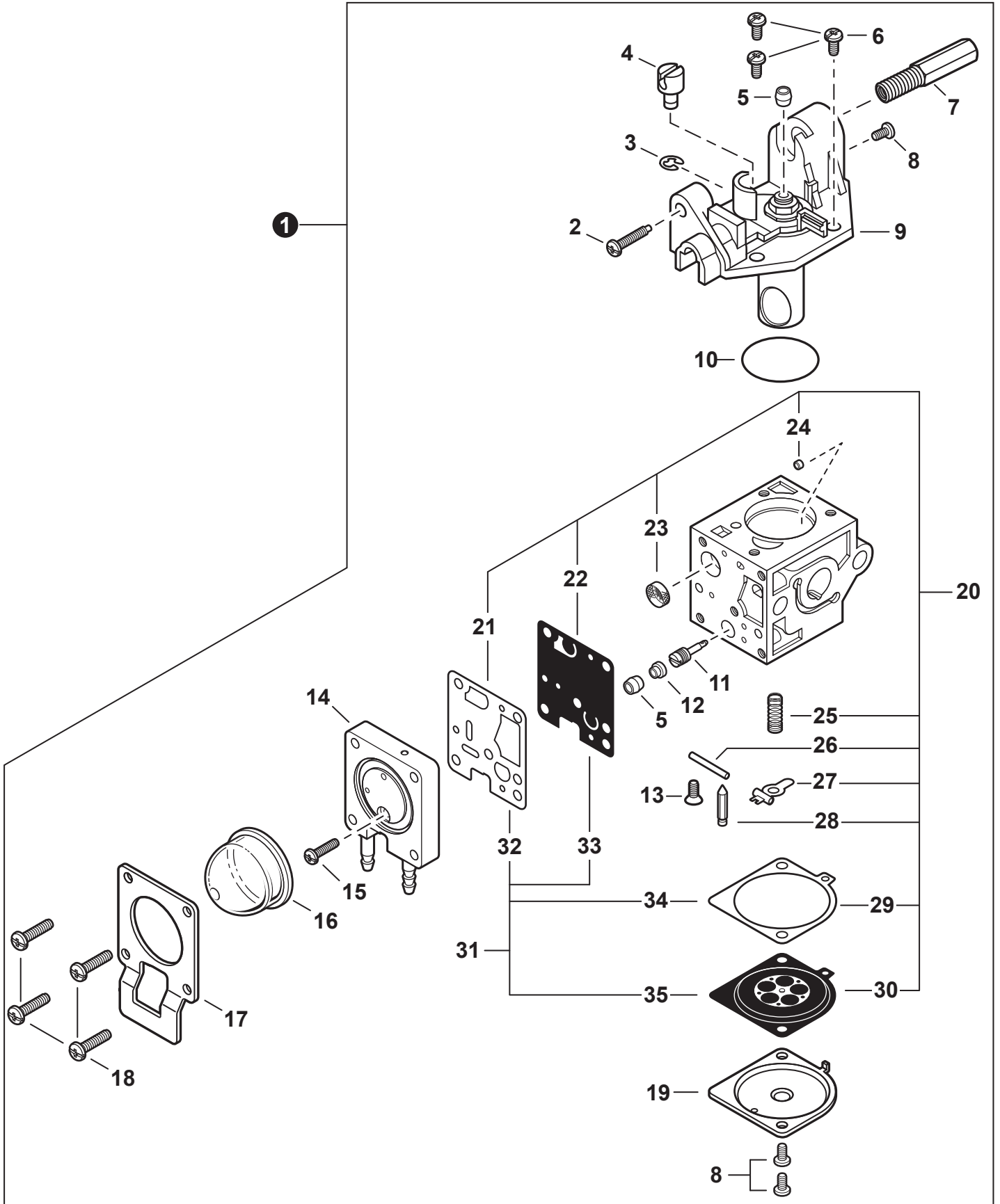
|                            |           |                                       |           |
|----------------------------|-----------|---------------------------------------|-----------|
| <b>Engine Covers</b> ..... | <b>3</b>  | <b>Fan Case</b> .....                 | <b>13</b> |
| Cubiertas del Motor        |           | Carcasa del Ventilador                |           |
| <b>Engine</b> .....        | <b>4</b>  | <b>Main Pipe</b> .....                | <b>14</b> |
| Motor                      |           | Tubo Principle                        |           |
| <b>Engine</b> .....        | <b>5</b>  | <b>Control Handle</b> .....           | <b>15</b> |
| Motor                      |           | Mango de Control                      |           |
| <b>Carburetor</b> .....    | <b>6</b>  | <b>Gear Case</b> .....                | <b>16</b> |
| Carburador                 |           | Caja de Engranajes                    |           |
| <b>Carburetor</b> .....    | <b>7</b>  | <b>Support Handle</b> .....           | <b>17</b> |
| Carburador                 |           | Mango de soporte                      |           |
| <b>Intake</b> .....        | <b>8</b>  | <b>Edger Shield</b> .....             | <b>18</b> |
| Admisión                   |           | Protector para Orilladora             |           |
| <b>Exhaust</b> .....       | <b>9</b>  | <b>Labels</b> .....                   | <b>19</b> |
| Escape                     |           | Etiquetas                             |           |
| <b>Ignition</b> .....      | <b>10</b> | <b>Tools</b> .....                    | <b>20</b> |
| Encendido                  |           | Herramientas                          |           |
| <b>Starter</b> .....       | <b>11</b> | <b>RePower Maintenance Kits</b> ..... | <b>20</b> |
| Arrancador                 |           | Kits de Mantenimiento RePower         |           |
| <b>Fuel System</b> .....   | <b>12</b> |                                       |           |
| Sistema de combustible     |           |                                       |           |



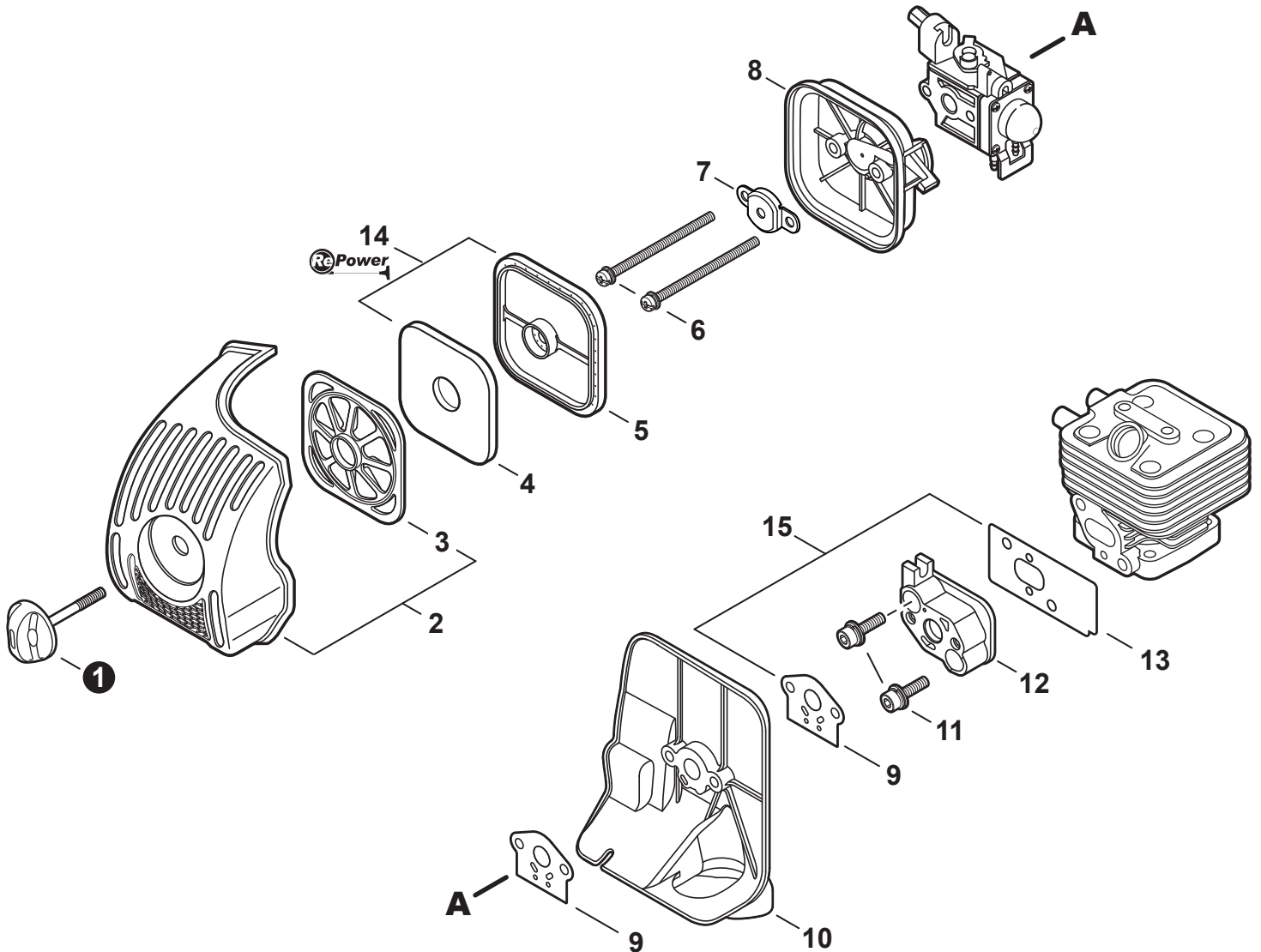
| NO. | PART NUMBER | QTY. | DESCRIPTION             | DESCRIPCIÓN           |
|-----|-------------|------|-------------------------|-----------------------|
| 1   | 90025605016 | 1    | SCREW, TAPPING 5×16     | TORNILLO ROSCADO 5×16 |
| 2   | A162000100  | 1    | GUARD, TOP              | PROTECTOR             |
| 3   | A162000080  | 1    | GUARD, TOP - SPARK PLUG | PROTECTOR DE BUJÍA    |
| 4   | 9114005012  | 1    | BOLT 5×12               | PERNO 5×12            |
| 5   | A160000780  | 1    | COVER, ENGINE           | CUBIERTA DEL MOTOR    |
| 6   | 90010605014 | 1    | BOLT 5×14               | PERNO 5×14            |
| 7   | 90010605008 | 2    | BOLT 5×8                | PERNO 5×8             |
| 8   | A160000691  | 1    | SHIELD, CYLINDER        | PROTECTOR DE CILINDRO |



| NO. | PART NUMBER | QTY. | DESCRIPTION                | DESCRIPCIÓN                      |
|-----|-------------|------|----------------------------|----------------------------------|
| 1   | SB1102      | 1    | SHORT BLOCK SB1102         | BLOQUE CORTO SB1102              |
| 2   | 90016205025 | 4    | +BOLT 5×25                 | +PERNO 5×25                      |
| 3   | V103000270  | 1    | +GASKET, INTAKE            | +EMPAQUETADURA DE ADMISIÓN       |
| 4   | V103000210  | 1    | +HEAT SHIELD, INTAKE       | +PROTECTOR TÉRMICO DEL ADMISIÓN  |
| 5   | A130001940  | 1    | +CYLINDER                  | +CILINDRO                        |
| 6   | V104000780  | 1    | +HEAT SHIELD, EXHAUST      | +PROTECTOR TÉRMICO DEL ESCAPE    |
| 7   | V100000210  | 1    | +GASKET, CYLINDER          | +EMPAQUETADURA DE CILINDRO       |
| 8   | P021037310  | 1    | +PISTON KIT                | +JUEGO DE PISTÓN                 |
| 9   | A101000170  | 1    | ++RING, PISTON             | ++ANILLO DEL PISTÓN              |
| 10  | 10001335430 | 1    | ++PIN, PISTON 6×9×27.8     | ++PASADOR DEL PISTÓN 6×9×27.8    |
| 11  | 10001503931 | 2    | ++RING, SNAP               | ++ANILLO RETENEDOR               |
| 12  | 10001453630 | 2    | ++WASHER, THRUST 9×12×15×3 | ++ARANDELA DE EMPUJE 9×12×15×3   |
| 13  | 10001216131 | 1    | ++BEARING, NEEDLE 9        | ++COJINETE DE AGUJAS 9           |
| 14  | A011000434  | 1    | +CRANKSHAFT ASSY           | +MONTAJE DE CIGÜEÑAL             |
| 15  | 10014212330 | 1    | +KEY, WOODRUFF             | +CHAVETA WOODRUFF                |
| 16  | P021010801  | 1    | +CRANKCASE KIT             | +JUEGO DE CÁRTER                 |
| 17  | 90016205028 | 3    | ++BOLT 5×28                | ++PERNO 5×28                     |
| 18  | 10021242031 | 1    | ++SEAL, OIL 12             | ++SELLO DE ACEITE 12             |
| 19  | 90033040080 | 2    | ++PIN, LOCATING 4×8        | ++PASADOR DE POSICIONAMIENTO 4×8 |
| 20  | 10024242030 | 1    | ++GASKET, CRANKCASE        | ++EMPAQUETADURA DE CÁRTER        |
| 21  | 9403536201  | 2    | ++BEARING, BALL 6201       | ++COJINETE DE BALINES 6201       |
| 22  | V505000050  | 1    | ++SEAL, OIL 12             | ++SELLO DE ACEITE 12             |
| 23  | P021011000  | 1    | GASKET KIT                 | JUEGO DE EMPAQUETADURA           |

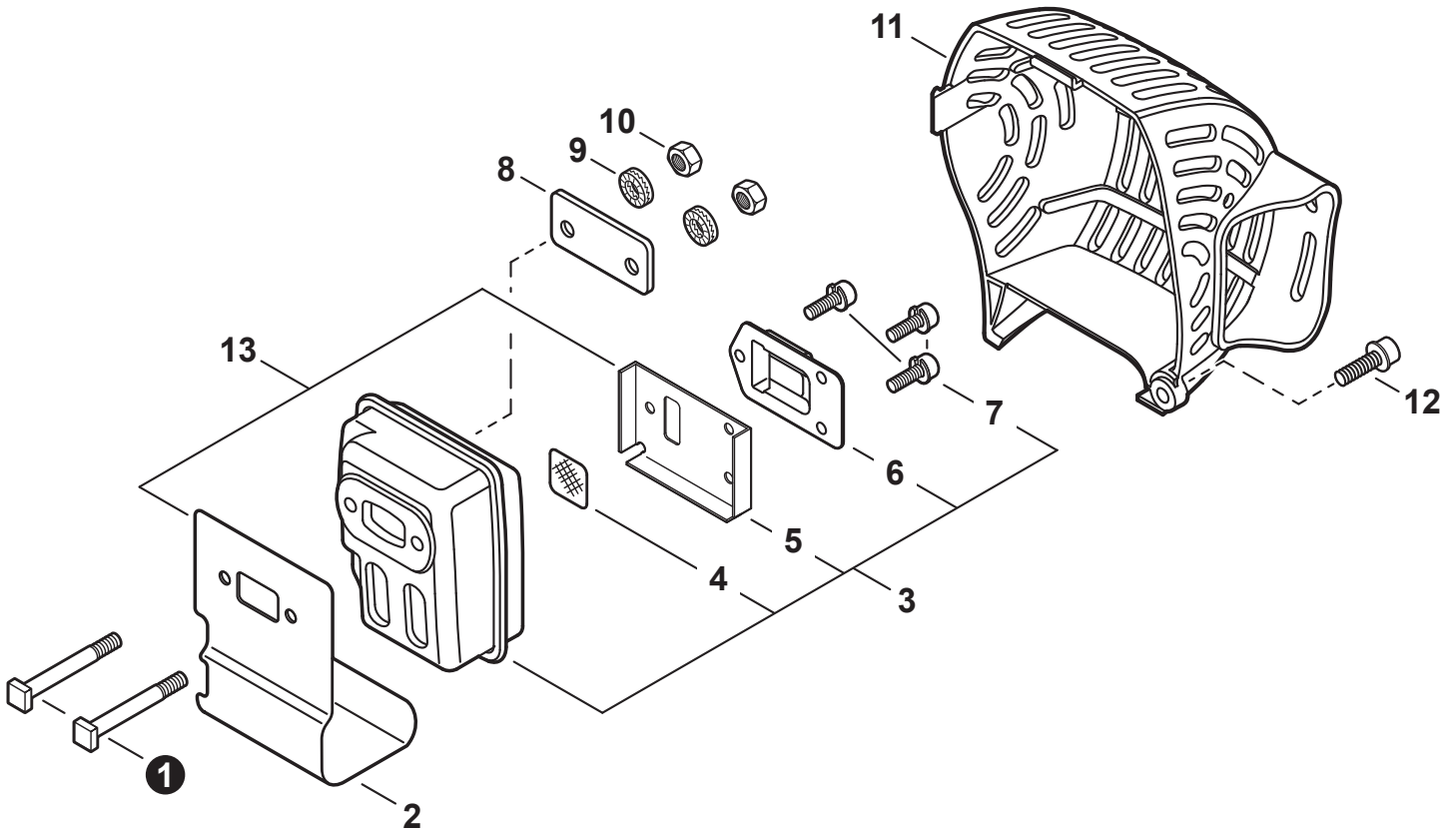


| NO. | PART NUMBER       | QTY. | DESCRIPTION                    | DESCRIPCIÓN                                 |
|-----|-------------------|------|--------------------------------|---|
| 1   | A021003831        | 1    | CARBURETOR - RB-K112           | CARBURADOR - RB-K112                        |
| 2   | P005000100        | 1    | +SCREW, THROTTLE ADJUST        | +TORNILLO AJUSTE DE TENSION DEL ACELERADOR  |
| 3   | P005000190        | 1    | +E-RING                        | +RETENEDOR TIPO "E"                         |
| 4   | P005002090        | 1    | +SWIVEL                        | +CONECTOR GIRATORIO                         |
| 5   | P005001270        | 2    | +CAP, LIMITER                  | +PROTECTOR DE TORNILLO                      |
| 6   | 12534413931       | 3    | +SCREW                         | +TORNILLO                                   |
| 7   | P005001330        | 1    | +ADJUSTER, THROTTLE CABLE      | +AJUSTADOR DE CABLE DEL ACELERADOR          |
| 8   | 12534452130       | 3    | +SCREW                         | +TORNILLO                                   |
| 9   | P005002440        | 1    | +COVER ASSY, ROTOR             | +MONTAJE DE CUBIERTA DE ROTOR               |
| 10  | P005000280        | 1    | +O-RING                        | +JUNTA TÓRICA                               |
| 11  | P005002450        | 1    | +NEEDLE, HIGH SPEED            | +AGUJA DE REGULACION ALTA (H)               |
| 12  | P005001250        | 1    | +PLUG                          | +TAPÓN                                      |
| 13  | 12533942030       | 1    | +SCREW                         | +TORNILLO                                   |
| 14  | P005002480        | 1    | +BODY ASSY, PURGE              | +MONTAJE DE CUERPO DE PURGA                 |
| 15  | P005000270        | 1    | +SCREW                         | +TORNILLO                                   |
| 16  | P005003110        | 1    | +BULB, PURGE                   | +BULBO DE PURGA                             |
| 17  | P005000250        | 1    | +RETAINER, PURGE BULB          | +SUJETADOR DE BULBO DE PURGA                |
| 18  | P005001900        | 4    | +SCREW                         | +TORNILLO                                   |
| 19  | 12534252130       | 1    | +COVER, METERING DIAPHRAGM     | +TAPA DE DIAFRAGMA DE MEDICIÓN              |
| 20  | <b>P005003410</b> | 1    | <b>+REPAIR KIT, CARBURETOR</b> | <b>+JUEGO DE REPARACIÓN DE CARBURADOR</b>   |
| 21  |                   | 1    | ++GASKET, PUMP                 | ++EMPAQUETADURA DE LA BOMBA                 |
| 22  |                   | 1    | ++DIAPHRAGM, PUMP              | ++DIAFRAGMA DE LA BOMBA                     |
| 23  |                   | 1    | ++SCREEN, FUEL INLET           | ++MALLA FILTRADORA                          |
| 24  |                   | 1    | ++GUIDE, ROLLER                | ++GUÍA DE RODILLO                           |
| 25  |                   | 1    | ++SPRING, METERING LEVER       | ++RESORTE PALANCA DE MEDICIÓN               |
| 26  |                   | 1    | ++PIN, METERING LEVER          | ++PASADOR DE PALANCA DE MEDICIÓN            |
| 27  |                   | 1    | ++LEVER, METERING              | ++PALANCA DE MEDICIÓN                       |
| 28  |                   | 1    | ++VALVE, INLET NEEDLE          | ++VÁLVULA REGULADORA                        |
| 29  |                   | 1    | ++GASKET, METERING DIAPHRAGM   | ++EMPAQUETADURA DIAFRAGMA DE MEDICIÓN       |
| 30  |                   | 1    | ++DIAPHRAGM, METERING          | ++DIAFRAGMA DE MEDICIÓN                     |
| 31  | <b>P005002270</b> | 1    | <b>+GASKET / DIAPHRAGM KIT</b> | <b>+JUEGO DE EMPAQUETADURA / DIAFRAGMAS</b> |
| 32  |                   | 1    | ++GASKET, PUMP                 | ++EMPAQUETADURA DE LA BOMBA                 |
| 33  |                   | 1    | ++DIAPHRAGM, PUMP              | ++DIAFRAGMA DE LA BOMBA                     |
| 34  |                   | 1    | ++GASKET, METERING DIAPHRAGM   | ++EMPAQUETADURA DIAFRAGMA DE MEDICIÓN       |
| 35  |                   | 1    | ++DIAPHRAGM, METERING          | ++DIAFRAGMA DE MEDICIÓN                     |

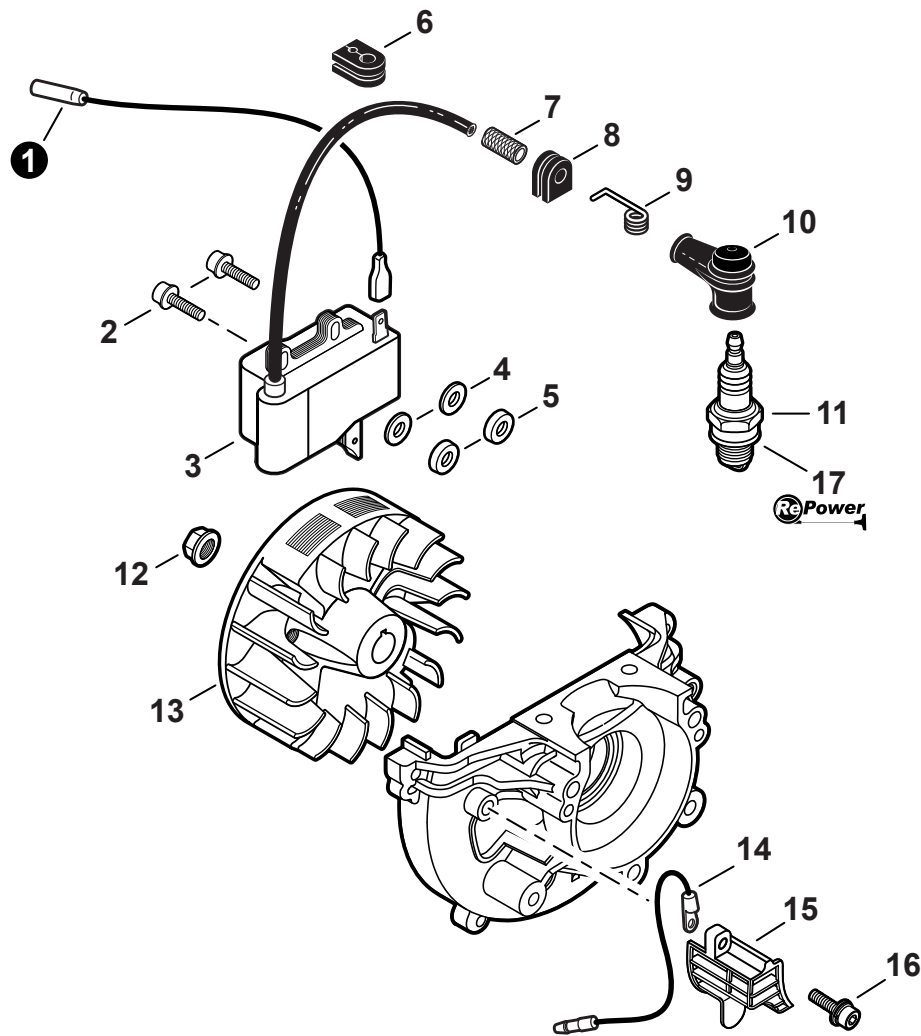


| NO. | PART NUMBER | QTY. | DESCRIPTION                | DESCRIPCIÓN                            |
|-----|-------------|------|----------------------------|--|
| 1   | V299000250  | 1    | THUMBSCREW                 | TORNILLO DE OREJETAS                   |
| 2   | P021042071  | 1    | COVER KIT, AIR FILTER      | MONTAJE DE CUBIERTA DEL FILTRO DE AIRE |
| 3   | A227000001  | 1    | +RETAINER, PRE-FILTER      | +SUJETADOR, PRE-FILTRO                 |
| 4   | A226000371  | 1    | PRE-FILTER, FOAM           | PRÉ-FILTRO DE ESPUMA                   |
| 5   | A226000472  | 1    | FILTER, AIR - DOUBLE LAYER | FILTRO DE AIRE - CAPA DOBLE            |
| 6   | 9157905070  | 2    | SCREW 5×70                 | TORNILLO 5×70                          |
| 7   | A244000070  | 1    | PLATE, PREVENT             | PLACA DE PREVENCIÓN                    |
| 8   | P021013820  | 1    | CASE, AIR FILTER           | CAJA DEL FILTRO DE AIRE                |
| 9   | V103000270  | 2    | GASKET, INTAKE             | EMPAQUETADURA DE ADMISIÓN              |
| 10  | A209000710  | 1    | PLATE, INSULATOR           | PLACA AISLANTE                         |
| 11  | 90016205025 | 2    | BOLT 5×25                  | PERNO 5×25                             |
| 12  | A200000200  | 1    | INSULATOR, INTAKE          | AISLADOR DE ADMISIÓN                   |
| 13  | V103000210  | 1    | HEAT SHIELD, INTAKE        | PROTECTOR TÉRMICO DEL ADMISIÓN         |
| 14  | 90125       | 1    | TUNE-UP KIT - REPOWER      | JUEGO DE PUESTA A PUNTO - REPOWER      |
| 15  | P021011000  | 1    | GASKET KIT                 | JUEGO DE EMPAQUETADURA                 |

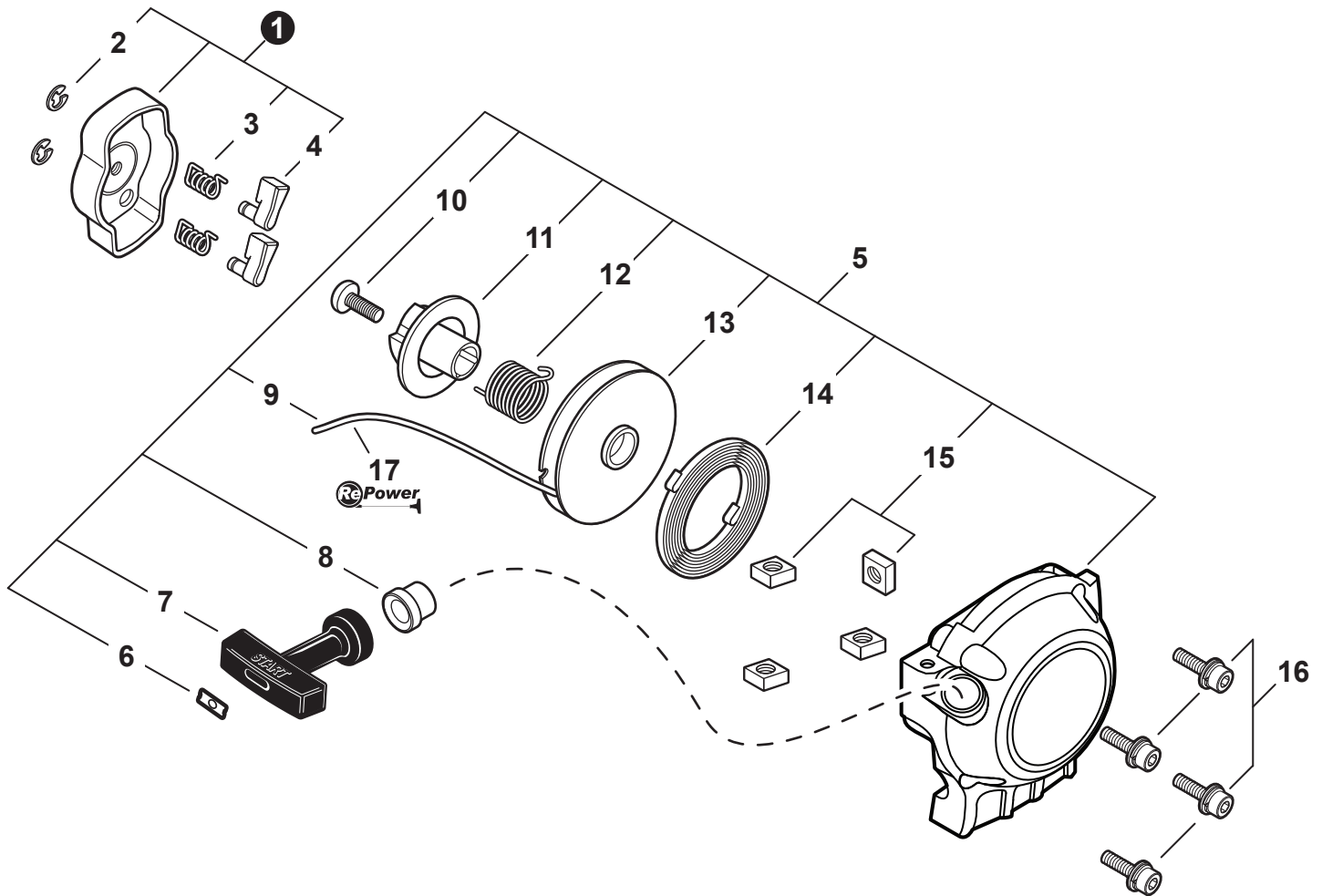




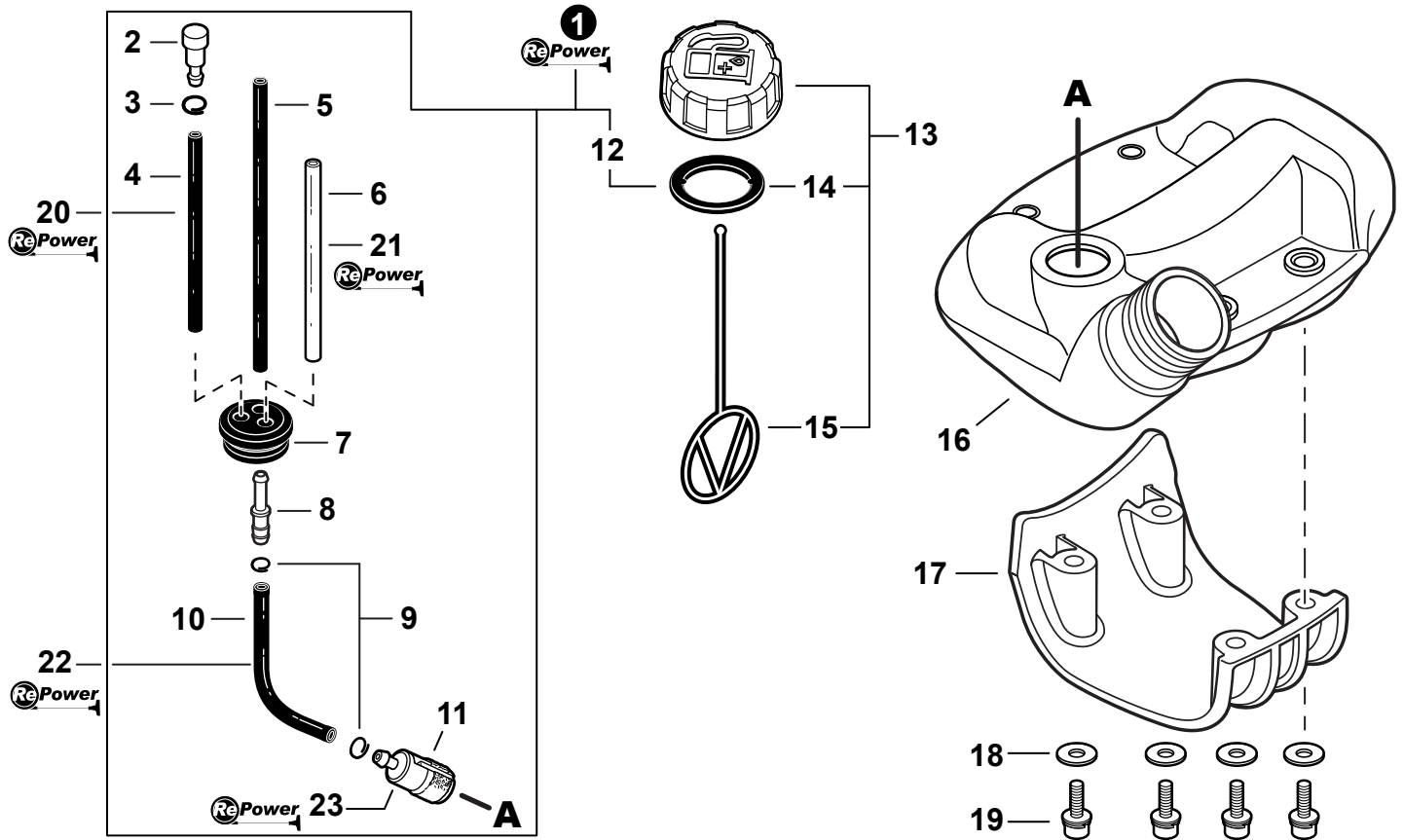
| NO. | PART NUMBER       | QTY. | DESCRIPTION             | DESCRIPCIÓN                   |
|-----|-------------------|------|-------------------------|-------------------------------|
| 1   | V203000120        | 2    | BOLT 5×60               | PERNO 5×60                    |
| 2   | V104000780        | 1    | HEAT SHIELD, EXHAUST    | PROTECTOR TÉRMICO DEL ESCAPE  |
| 3   | <b>P021011580</b> | 1    | <b>MUFFLER ASSY</b>     | <b>MONTAJE DE SILENCIADOR</b> |
| 4   | 14586240630       | 1    | +SCREEN, SPARK ARRESTER | +PANTALLA DEL GUARDACHISPAS   |
| 5   | V104000790        | 1    | +GASKET, EXHAUST        | +EMPAQUETADURA DE ESCAPE      |
| 6   | A313000830        | 1    | +GUIDE, EXHAUST         | +GUÍA DE ESCAPE               |
| 7   | 9136704010        | 3    | +SCREW 4×10             | +TORNILLO 4×10                |
| 8   | V150001760        | 1    | PLATE, EYE              | PLACA                         |
| 9   | 9228005000        | 2    | WASHER                  | ARANDELA                      |
| 10  | 90050000005       | 2    | NUT 5                   | TUERCA 5                      |
| 11  | A320000341        | 1    | COVER, MUFFLER          | CUBIERTA DEL SILENCIADOR      |
| 12  | 90010605014       | 1    | BOLT 5×14               | PERNO 5×14                    |
| 13  | <b>P021011000</b> | 1    | <b>GASKET KIT</b>       | <b>JUEGO DE EMPAQUETADURA</b> |



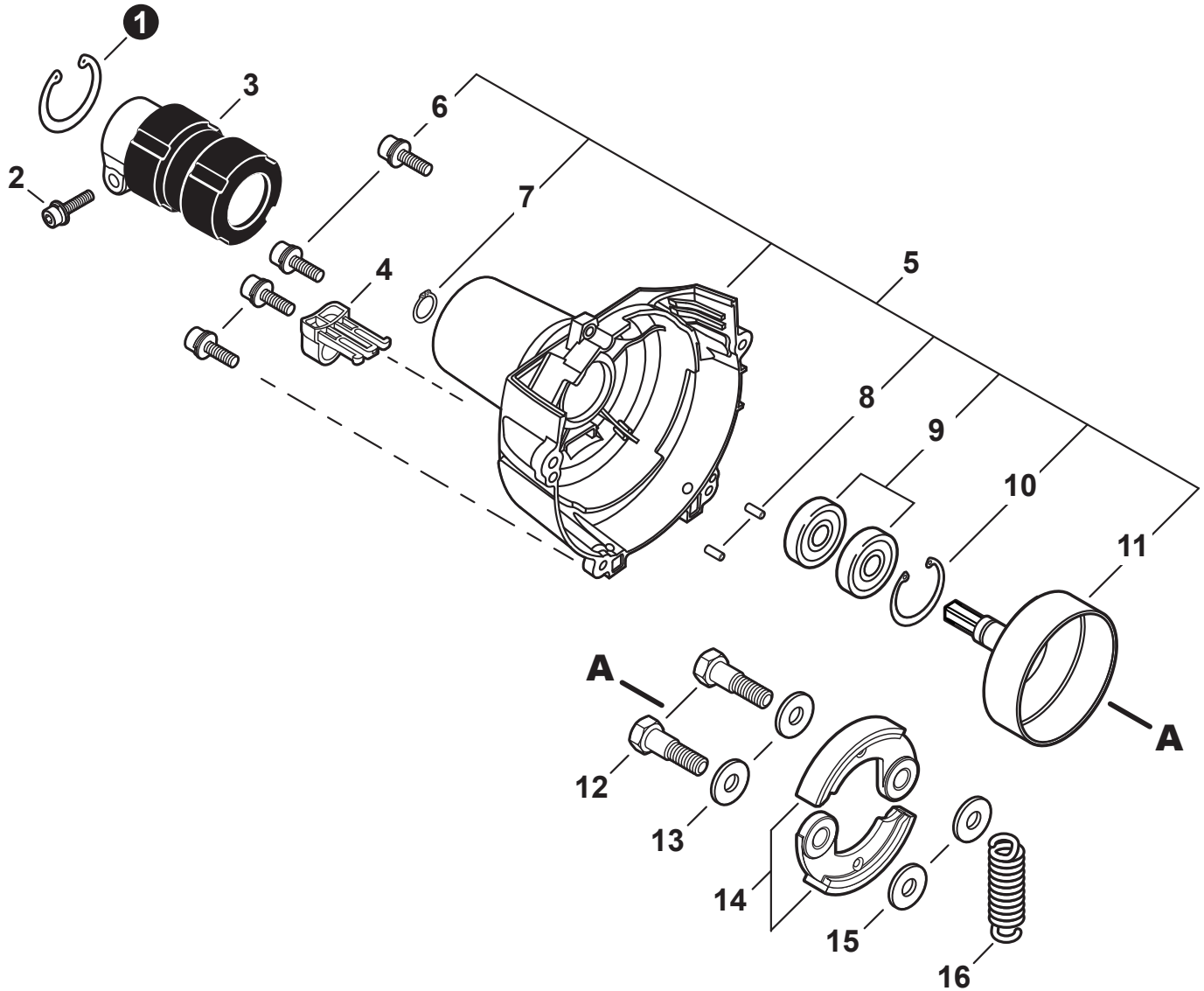
| NO. | PART NUMBER | QTY. | DESCRIPTION           | DESCRIPCIÓN                       |
|-----|-------------|------|-----------------------|-----------------------------------|
| 1   | V485002331  | 1    | LEAD - IGNITION       | CABLE DE ENCENDIDO                |
| 2   | V202000130  | 2    | BOLT 4                | PERNO 4                           |
| 3   | A411000251  | 1    | COIL, IGNITION        | BOBINA DE ENCENDIDO               |
| 4   | 90060300004 | 2    | WASHER 4mm            | ARANDELA 4mm                      |
| 5   | V322000031  | 2    | INSULATOR 4           | AISLADOR 4                        |
| 6   | V135000030  | 1    | GROMMET               | OJAL                              |
| 7   | V475003380  | 1    | TUBE, INSULATOR       | TUBO AISLANTE                     |
| 8   | 15611004920 | 1    | GROMMET, HT CORD      | OJAL DE CABLE                     |
| 9   | A426000010  | 1    | TERMINAL, SPARK PLUG  | TERMINAL DE BUJÍA                 |
| 10  | A427000013  | 1    | CAP, SPARK PLUG       | TAPA DE BUJÍA                     |
| 11  | 15901019830 | 1    | SPARK PLUG - BPM-8Y   | BUJÍA BPM-8Y                      |
| 12  | 90051500008 | 1    | NUT, FLANGE M8        | TUERCA-BRIDA M8                   |
| 13  | A409001222  | 1    | FLYWHEEL              | VOLANTE                           |
| 14  | 15663543130 | 1    | LEAD - GROUND         | CABLE DE TIERRA                   |
| 15  | A127000160  | 1    | COVER, DUST           | CUBIERTA ANTIPOLVO                |
| 16  | 90016205016 | 1    | BOLT 5x16             | PERNO 5x16                        |
| 17  | 90125       | 1    | TUNE-UP KIT - REPOWER | JUEGO DE PUESTA A PUNTO - REPOWER |



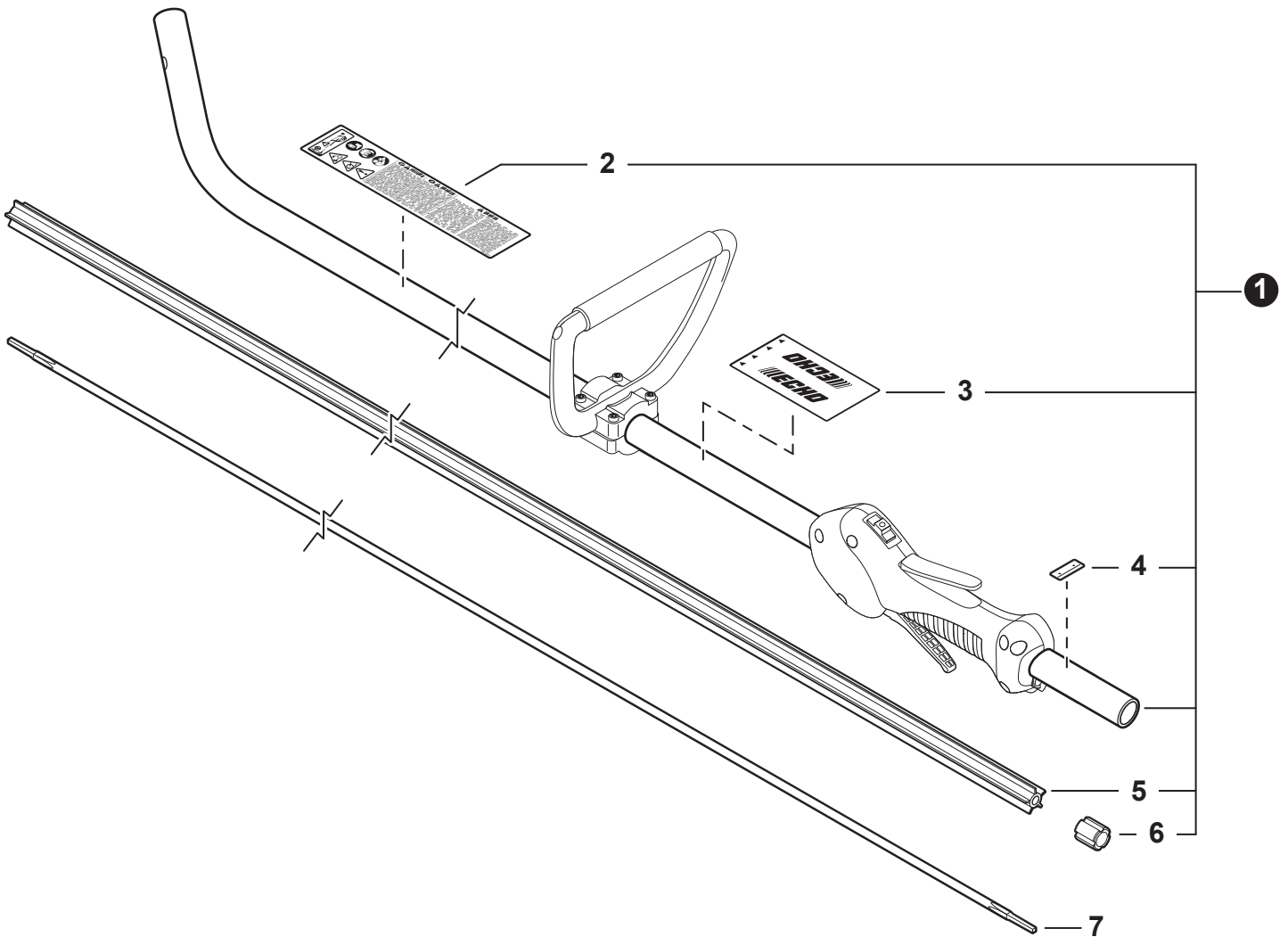
| NO. | PART NUMBER | QTY. | DESCRIPTION                     | DESCRIPCIÓN                                |
|-----|-------------|------|---------------------------------|--|
| 1   | A052000180  | 1    | PAWL ASSY, STARTER              | MONTAJE DE TRINQUETE                       |
| 2   | P022002100  | 2    | +E-RING 4                       | +RETENEDOR TIPO "E" 4                      |
| 3   | 17723412220 | 2    | +SPRING, RETURN                 | +RESORTE DE RETORNO                        |
| 4   | P022006850  | 2    | +PAWL, STARTER                  | +TRINQUETE                                 |
| 5   | A051000941  | 1    | STARTER ASSY, RECOIL            | MONTAJE DE ARRANCADOR AUTORRETRÁCTIL       |
| 6   | P022037670  | 1    | +RETAINER, ROPE                 | +RETENEDOR DE CUERDA                       |
| 7   | 17722827030 | 1    | +GRIP, STARTER                  | +AGARRE DEL ARRANCADOR                     |
| 8   | 17722742030 | 1    | +GUIDE, ROPE                    | +GUÍA DE CUERDA                            |
| 9   | P022008260  | 1    | +ROPE, STARTER 3×700            | +CUERDA DEL ARRANCADOR 3×700               |
| 10  | 17723661830 | 1    | +SCREW                          | +TORNILLO                                  |
| 11  | P022028000  | 1    | +PLATE, CAM                     | +PLACA DE LEVA                             |
| 12  | P022008270  | 1    | +SPRING, TORSION                | +RESORTE DE TORSIÓN                        |
| 13  | P022027980  | 1    | +REEL, ROPE                     | +CARRETE DEL CABLE                         |
| 14  | 17722042030 | 1    | +SPRING, RECOIL                 | +RESORTE RECULAR                           |
| 15  | P022022010  | 4    | +NUT                            | +TUERCA                                    |
| 16  | 90016304016 | 4    | BOLT 4×16                       | PERNO 4×16                                 |
| 17  | 99944440000 | 1    | ROPE, STARTER - REPOWER BULK Ø3 | CUERDA DEL ARRANCADOR REPOWER AL POR MAYOR |



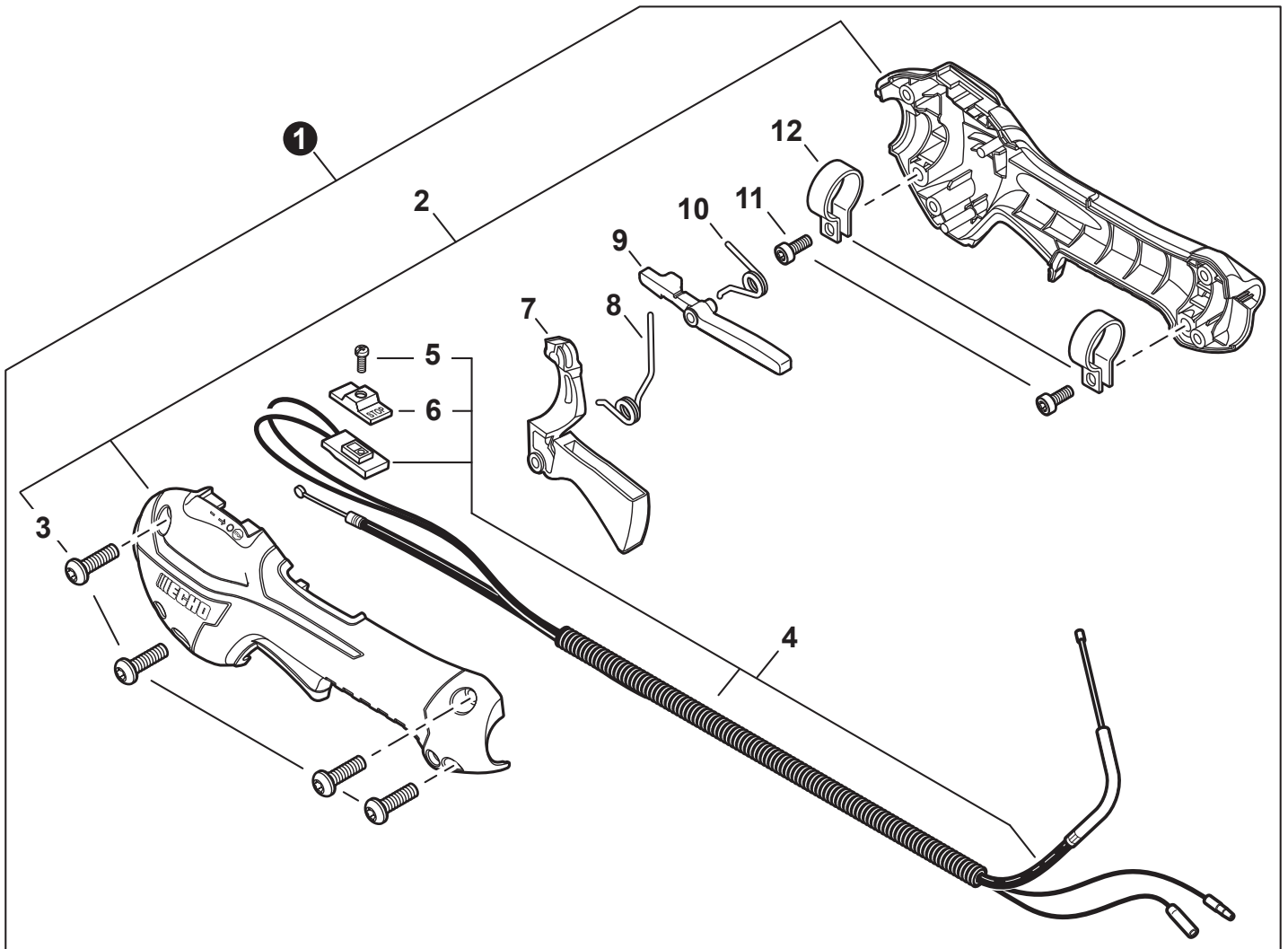
| NO. | PART NUMBER | QTY. | DESCRIPTION                           | DESCRIPCIÓN                                  |
|-----|-------------|------|---------------------------------------|--|
| 1   | 90137BP     | 1    | FUEL SYSTEM KIT - REPOWER             | KIT DEL SISTEMA DE COMBUSTIBLE - REPOWER     |
| 2   | A356000031  | 1    | +VENT ASSY                            | +VÁLVULA DE RESPIRADERO                      |
| 3   | V490001230  | 1    | +CLIP Ø6.5MM                          | +SUJETADOR Ø6.5MM                            |
| 4   | V471001180  | 1    | +PIPE, VENT 3×6×35 BLACK              | +TUBO DE VENTILACIÓN 3×6×35 NEGRO            |
| 5   | V471003710  | 1    | +PIPE, FUEL - 3×5×67 - BLACK          | +TUBO DE COMBUSTIBLE 3×5×67 NEGRO            |
| 6   | 13201040830 | 1    | +PIPE, FUEL 3×6×75 CLEAR              | +TUBO DE COMBUSTIBLE 3×6×75 TRANSPARENTE     |
| 7   | 13211555930 | 1    | +GROMMET, FUEL                        | +OJAL DE COMBUSTIBLE                         |
| 8   | V186000520  | 1    | +CONNECTOR, PIPE Ø5×Ø3.5              | +CONECTOR DE TUBO Ø5×Ø3.5                    |
| 9   | V490001240  | 2    | +CLIP Ø6                              | +SUJETADOR Ø6                                |
| 10  | V471003650  | 1    | +PIPE, FUEL - 3×5×125 - BLACK         | +TUBO DE COMBUSTIBLE 3×5×125 NEGRO           |
| 11  | A369000440  | 1    | +FILTER, FUEL                         | +FILTRO DE COMBUSTIBLE                       |
| 12  | V107000150  | 1    | +GASKET, FUEL CAP                     | +EMPAQUETADURA DEL TAPA DE COMBUSTIBLE       |
| 13  | P021040030  | 1    | CAP ASSY, FUEL                        | MONTAJE DE TAPA DE COMBUSTIBLE               |
| 14  | V107000150  | 1    | +GASKET, FUEL CAP                     | +EMPAQUETADURA DEL TAPA DE COMBUSTIBLE       |
| 15  | 13105156030 | 1    | +CONNECTOR, CAP L= 100mm              | +CONECTOR DE TAPA L= 100mm                   |
| 16  | P021013640  | 1    | TANK, FUEL                            | TANQUE DE COMBUSTIBLE                        |
| 17  | A175000030  | 1    | GUARD, FUEL TANK                      | PROTECTOR, TANQUE DE COMBUSTIBLE             |
| 18  | 90060300005 | 4    | WASHER 5.5×12×0.8                     | ARANDELA 5.5×12×0.8                          |
| 19  | 90016205025 | 4    | BOLT 5×25                             | PERNO 5×25                                   |
| 20  | 90015       | 1    | PIPE, FUEL - REPOWER BULK 3×6mm BLACK | TUBO REPOWER AL POR MAYOR 3×6mm NEGRO        |
| 21  | 90017       | 1    | PIPE, FUEL - REPOWER BULK 3×6mm CLEAR | TUBO REPOWER AL POR MAYOR 3×6mm TRANSPARENTE |
| 22  | 90014       | 1    | PIPE, FUEL - REPOWER BULK 3×5mm BLACK | TUBO REPOWER AL POR MAYOR 3×5mm NEGRO        |
| 23  | 90125       | 1    | TUNE-UP KIT - REPOWER                 | JUEGO DE PUESTA A PUNTO - REPOWER            |



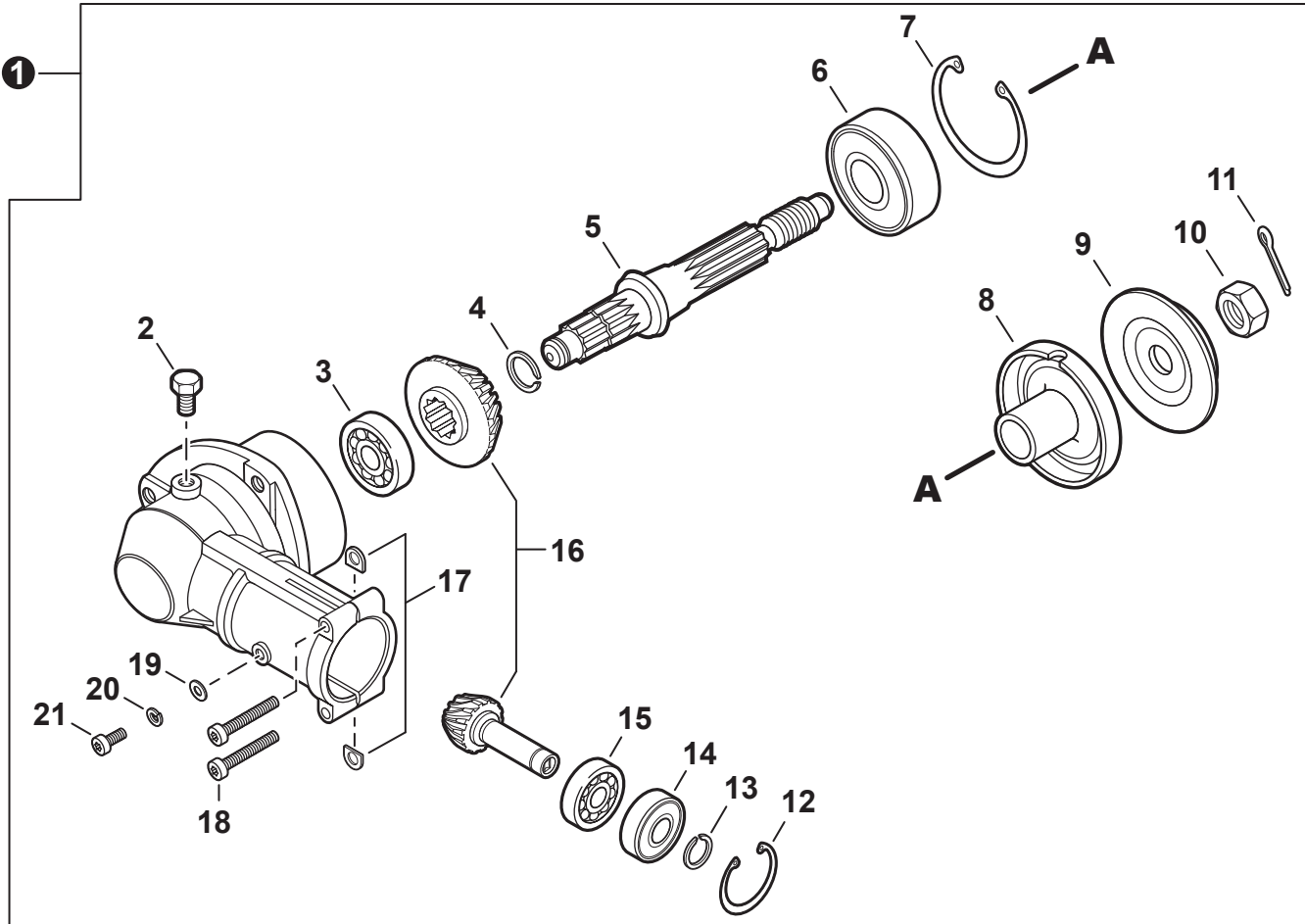
| NO. | PART NUMBER       | QTY. | DESCRIPTION            | DESCRIPCIÓN                               |
|-----|-------------------|------|------------------------|---|
| 1   | 90070200042       | 1    | RING, SNAP Ø42         | ANILLO RETENEDOR Ø42                      |
| 2   | 90016205028       | 1    | BOLT 5×28              | PERNO 5×28                                |
| 3   | 61092255931       | 1    | HOLDER, MAIN PIPE      | SUJETADOR DE TUBO PRINCIPAL               |
| 4   | V491000180        | 1    | CLIP                   | SUJETADOR                                 |
| 5   | <b>P021048600</b> | 1    | <b>COVER ASSY, FAN</b> | <b>MONTAJE DE CUBIERTA DEL VENTILADOR</b> |
| 6   | 90016304016       | 4    | +BOLT 4×16             | +PERNO 4×16                               |
| 7   | 90070100012       | 1    | +RING, SNAP 12         | +ANILLO RETENEDOR 12                      |
| 8   | V622000020        | 2    | +PIN, LOCATING 4       | +PASADOR DE POSICIONAMIENTO 4             |
| 9   | 9405106001        | 2    | +BEARING, BALL 6001    | +COJINETE DE BALINES 6001                 |
| 10  | 90070200028       | 1    | +RING, SNAP 28         | +ANILLO RETENEDOR 28                      |
| 11  | A556000390        | 1    | +DRUM, CLUTCH          | +TAMBOR EMBRAGUE                          |
| 12  | 17504656030       | 2    | BOLT, CLUTCH 8×7.9×M6  | PERNO DEL EMBRAGUE 8×7.9×M6               |
| 13  | 17504956030       | 2    | WASHER 8.5×16×0.5      | ARANDELA 8.5×16×0.5                       |
| 14  | A553000010        | 2    | SHOE, CLUTCH           | ZAPATA DE EMBRAGUE                        |
| 15  | 17504805530       | 2    | WASHER 6.2×19×1.0      | ARANDELA 6.2×19×1.0                       |
| 16  | V451000400        | 1    | SPRING, CLUTCH         | RESORTE DEL EMBRAGUE                      |



| NO. | PART NUMBER | QTY. | DESCRIPTION                | DESCRIPCIÓN                     |
|-----|-------------|------|----------------------------|---------------------------------|
| 1   | C050002900  | 1    | MAIN PIPE ASSY             | MONTAJE DE TUBO PRINCIPAL       |
| 2   | X505002510  | 1    | +LABEL, CAUTION            | +ETIQUETA DE PRECAUCIÓN         |
| 3   | X505001930  | 1    | +LABEL, HANDLE LOCATION    | +ETIQUETA - UBICACIÓN DEL MANGO |
| 4   | 89015204930 | 1    | +LABEL - ALIGNMENT         | +ETIQUETA - ALINEACIÓN          |
| 5   | C507000260  | 1    | +LINER, FLEXIBLE 21.6×1420 | +FORRO FLEXIBLE 21.6×1420       |
| 6   | 61024644730 | 1    | +STOPPER                   | +RETENEDOR                      |
| 7   | C506000390  | 1    | DRIVESHAFT - FLEXIBLE      | EJE DE MANDO - FLEXIBLE         |

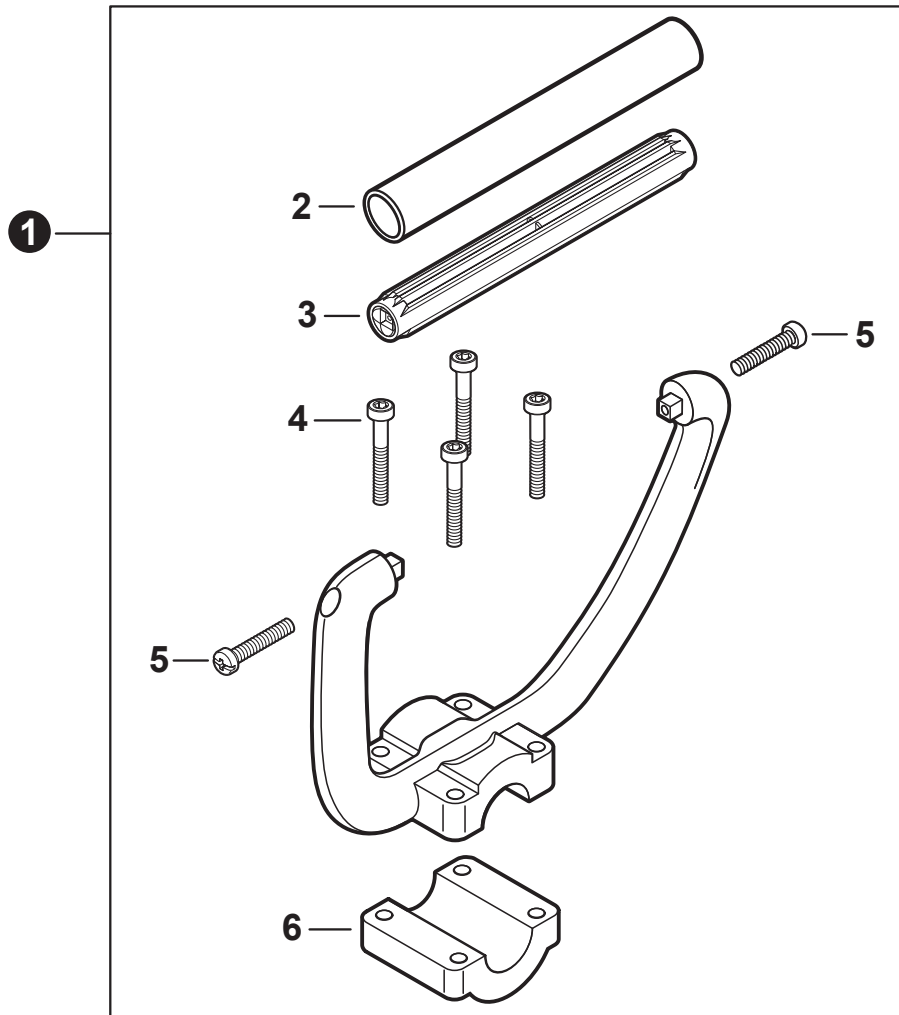


| NO. | PART NUMBER | QTY. | DESCRIPTION              | DESCRIPCIÓN                      |
|-----|-------------|------|--------------------------|----------------------------------|
| 1   | P021044493  | 1    | CONTROL HANDLE ASSY      | MONTAJE DE MANGO DE CONTROL      |
| 2   | P021044371  | 1    | +CONTROL HANDLE KIT      | +JUEGO DE MANGO DE CONTROL       |
| 3   | V805000000  | 4    | ++BOLT, TORX 5×16        | ++PERNO TORX 5×16                |
| 4   | P021044760  | 1    | +CABLE ASSY, CONTROL     | +MONTAJE DE CABLE PARA CONTROL   |
| 5   | 9154503010  | 1    | ++SCREW 3×10             | ++TORNILLO 3×10                  |
| 6   | A444000020  | 1    | ++KNOB, SWITCH - ORANGE  | ++BOTÓN DE INTERRUPTOR - NARANJA |
| 7   | C453000482  | 1    | +TRIGGER, THROTTLE       | +GATILLO DEL ACELERADOR          |
| 8   | V452001520  | 1    | +SPRING, TORSION         | +RESORTE DE TORSIÓN              |
| 9   | C460000441  | 1    | +LEVER, THROTTLE LOCKOUT | +PALANCA SEGURO DEL ACELERADOR   |
| 10  | V452001510  | 1    | +SPRING, TORSION         | +RESORTE DE TORSIÓN              |
| 11  | V805000150  | 2    | +BOLT, TORX 5×16         | +PERNO TORX 5×16                 |
| 12  | V495003020  | 2    | +CLAMP                   | +ABRAZADERA                      |

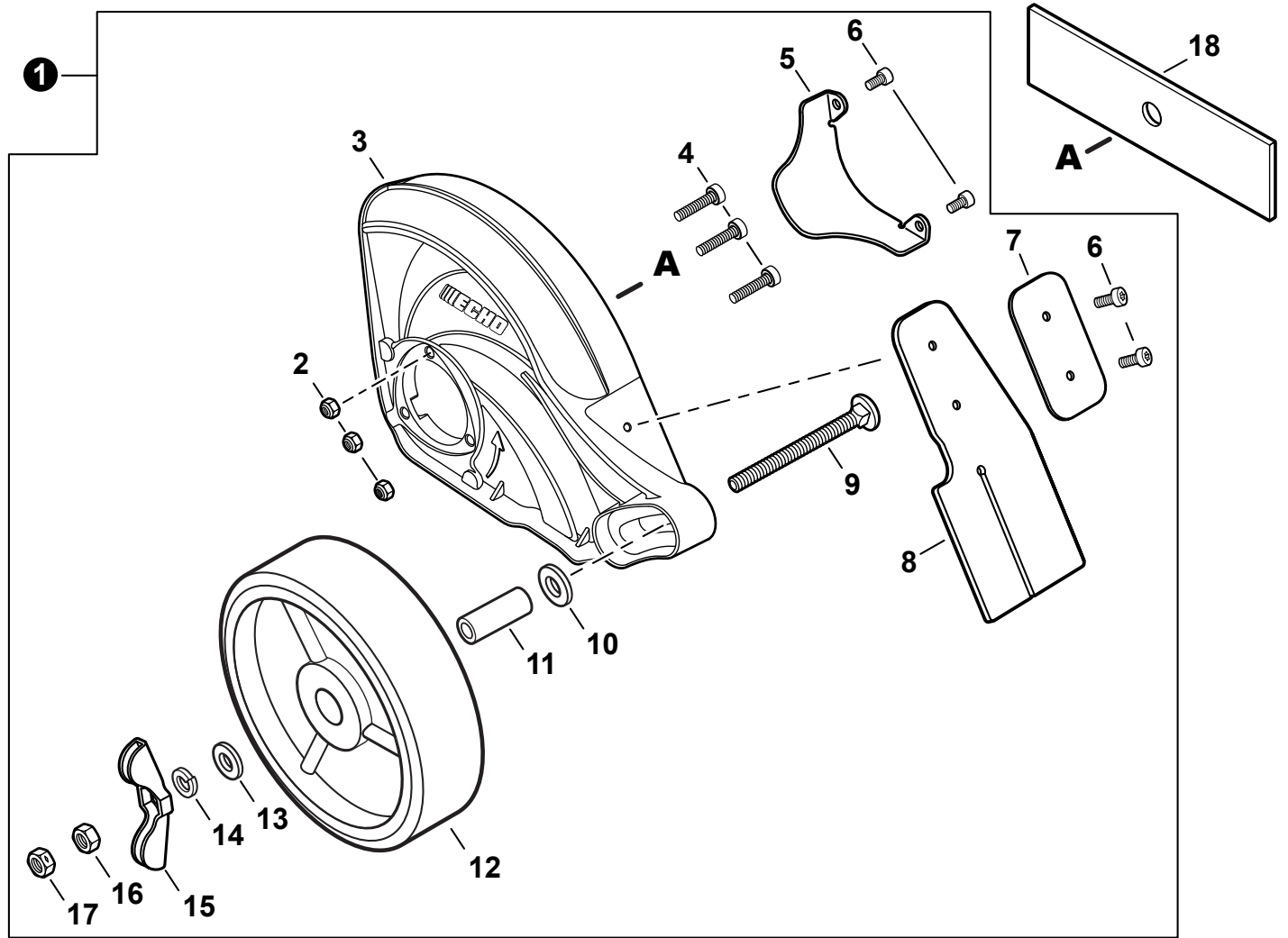


| NO. | PART NUMBER | QTY. | DESCRIPTION              | DESCRIPCIÓN                   |
|-----|-------------|------|--------------------------|-------------------------------|
| 1   | P021049420  | 1    | GEAR CASE ASSY           | MONTAJE DE CAJA DE ENGRANAJES |
| 2   | 61043450031 | 1    | +BOLT M8×1.25            | +PERNO M8×1.25                |
| 3   | 90081000629 | 1    | +BEARING, BALL 629       | +COJINETE DE BALINES 629      |
| 4   | 90070600012 | 1    | +RING, SNAP Ø12          | +ANILLO RETENEDOR Ø12         |
| 5   | C534000220  | 1    | +SHAFT, GEAR             | +EJE DE ENGRANAJE             |
| 6   | 90081206302 | 1    | +BEARING, BALL 6302      | +COJINETE DE BALINES 6302     |
| 7   | 90070200042 | 1    | +RING, SNAP Ø42          | +ANILLO RETENEDOR Ø42         |
| 8   | C535000100  | 1    | +PLATE, ADAPTOR - UPPER  | +PLACA DEL ADAPTADOR SUPERIOR |
| 9   | 61031404131 | 1    | +PLATE, ADAPTOR - LOWER  | +PLACA DEL ADAPTADOR INFERIOR |
| 10  | 90051300010 | 1    | +NUT 10×1.25 LH          | +TUERCA 10×1.25 LH            |
| 11  | 90030020022 | 1    | +PIN, COTTER 2×22        | +PASADOR DE CHAVETA 2×22      |
| 12  | 90070200022 | 1    | +RING, SNAP Ø22          | +ANILLO RETENEDOR Ø22         |
| 13  | 90070600010 | 1    | +RING, SNAP Ø10          | +ANILLO RETENEDOR Ø10         |
| 14  | 90085806900 | 1    | +BEARING, BALL 6900-Z    | +COJINETE DE BALINES 6900-Z   |
| 15  | 90085506900 | 1    | +BEARING, BALL 6900      | +COJINETE DE BALINES 6900     |
| 16  | V000000020  | 1    | +GEAR SET                | +JUEGO DE ENGRANAJES          |
| 17  | 61023904130 | 2    | +D-WASHER                | +ARANDELA D                   |
| 18  | V805000170  | 2    | +BOLT, TORX 5×25         | +PERNO TORX 5×25              |
| 19  | 90060000005 | 1    | +WASHER, FLAT 5.5×10×0.8 | +ARANDELA 5.5×10×0.8          |
| 20  | 90060500005 | 1    | +WASHER, SPRING 5        | +ARANDELA DE PRESION 5        |
| 21  | V805000130  | 1    | +BOLT, TORX 5×10         | +PERNO TORX 5×10              |

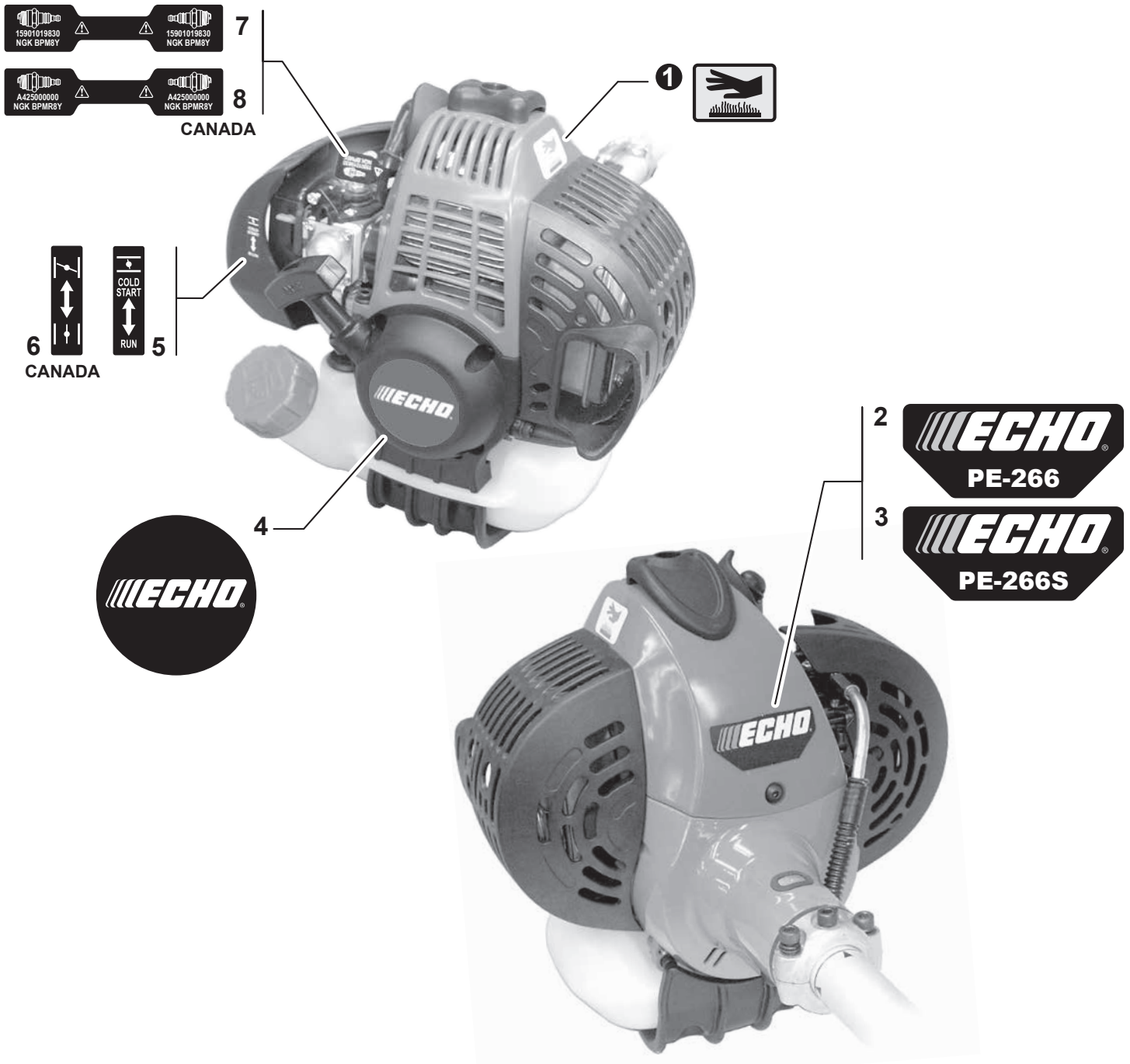




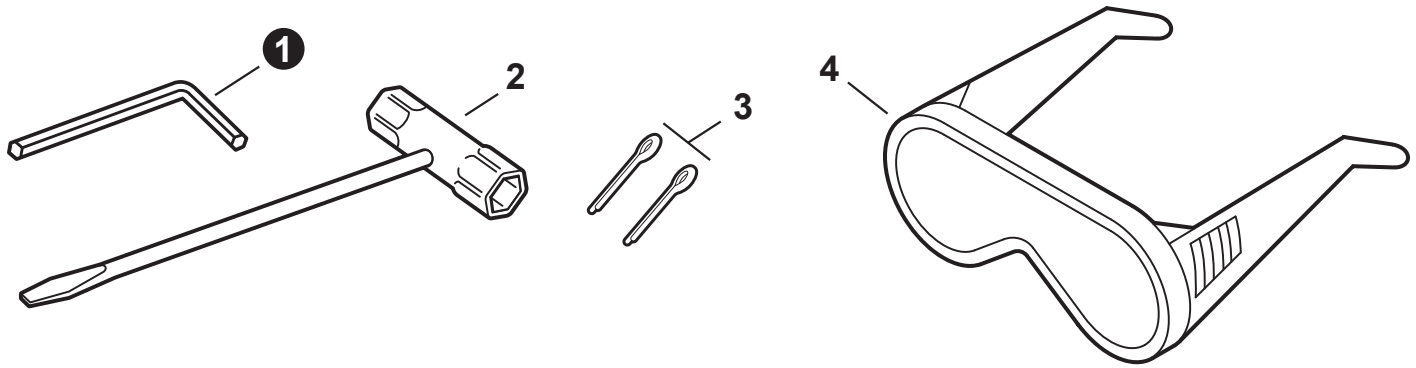
| NO. | PART NUMBER | QTY. | DESCRIPTION           | DESCRIPCIÓN                 |
|-----|-------------|------|-----------------------|-----------------------------|
| 1   | P021049270  | 1    | HANDLE ASSY - SUPPORT | MONTAJE DE MANGO DE SOPORTE |
| 2   | 35121351730 | 1    | +GRIP, HANDLE         | +AGARRE                     |
| 3   | 35121051730 | 1    | +HANDLE               | +MANGO                      |
| 4   | V805000060  | 4    | +BOLT 5×35            | +PERNO 5×35                 |
| 5   | 90024605030 | 2    | +SCREW 5×30           | +TORNILLOS 5×30             |
| 6   | C423000300  | 1    | +BRACKET, HANDLE      | +SOPORTE DE MANGO           |



| NO. | PART NUMBER | QTY. | DESCRIPTION          | DESCRIPCIÓN                   |
|-----|-------------|------|----------------------|-------------------------------|
| 1   | P021049310  | 1    | SHIELD KIT, EDGER    | KIT DE PROTECTOR              |
| 2   | 90056250005 | 3    | +NUT, LOCK M5        | +CONTRATUERCA M5              |
| 3   | C550000740  | 1    | +SHIELD, BLADE       | +PROTECTOR PARA CUCHILLA      |
| 4   | V805000170  | 3    | +BOLT, TORX 5x25     | +PERNO TORX 5x25              |
| 5   | C557000430  | 1    | +GUARD, SHIELD       | +PROTECTOR                    |
| 6   | V804000000  | 4    | +BOLT, TORX 4x12     | +PERNO TORX 4x12              |
| 7   | C552000260  | 1    | +PLATE, FLAP         | +PLACA ALETA                  |
| 8   | C550000730  | 1    | +FLAP, DEBRIS        | +ALETA DE RESIDUOS            |
| 9   | V205001220  | 1    | +BOLT M8-1.25x80MM   | +PERNO M8-1.25x80MM           |
| 10  | 90060200010 | 1    | +WASHER 10           | +ARANDELA 10                  |
| 11  | 30242452630 | 1    | +COLLAR 12           | +COLLAR 12                    |
| 12  | C730000030  | 1    | +WHEEL               | +RUEDA                        |
| 13  | 90060200008 | 1    | +WASHER 8            | +ARANDELA 8                   |
| 14  | 90060500008 | 1    | +WASHER, SPRING 8    | +ARANDELA DE PRESION 8        |
| 15  | V299000440  | 1    | +KNOB, FASTENER      | +PERILLA DE FIJACIÓN          |
| 16  | 90050000008 | 1    | +NUT M8              | +TUERCA M8                    |
| 17  | V265000340  | 1    | +NUT, LOCK M8        | +CONTRATUERCA M8              |
| 18  | 69601552632 | 1    | BLADE, CUTTER - 2 PK | CUCHILLA DE CORTE - 2 PAQUETE |



| NO. | PART NUMBER | QTY. | DESCRIPTION                | DESCRIPCIÓN                     |
|-----|-------------|------|----------------------------|---------------------------------|
| 1   | X505002310  | 1    | LABEL, CAUTION - HOT       | ETIQUETA DE PRECAUCIÓN CALIENTE |
| 2   | X547002010  | 1    | LABEL - MODEL PE-266       | ETIQUETA MODELO PE-266          |
| 3   | X547002030  | 1    | LABEL - MODEL PE-266S      | ETIQUETA MODELO PE-266S         |
| 4   | X502000330  | 1    | LABEL, ECHO                | ETIQUETA ECHO                   |
| 5   | 89012152730 | 1    | LABEL, CHOKE               | ETIQUETA DEL ESTRANGULADOR      |
| 6   | 89033252730 | 1    | LABEL, CHOKE               | ETIQUETA DEL ESTRANGULADOR      |
| 7   | X532000671  | 1    | LABEL, SPARK PLUG - BPM8Y  | ETIQUETA DE BUJÍA BPM8Y         |
| 8   | X532000720  | 1    | LABEL, SPARK PLUG - BPMR8Y | ETIQUETA DE BUJÍA BPMR8Y        |



| NO. | PART NUMBER | QTY. | DESCRIPTION         | DESCRIPCIÓN             |
|-----|-------------|------|---------------------|-------------------------|
| 1   | X605000100  | 1    | WRENCH, ALLEN 4MM   | LLAVE ALLEN 4MM         |
| 2   | X602000020  | 1    | T-WRENCH 17×19 L200 | LLAVE EN T 17×19 L200   |
| 3   | 90030020022 | 2    | PIN, COTTER 2×22    | PASADOR DE CHAVETA 2×22 |
| 4   | X690000080  | 1    | GLASSES, SAFETY     | ANTEOJOS DE SEGURIDAD   |

**RePower Maintenance Kits**  
Kits de Mantenimiento RePower

| NO. | PART NUMBER        | QTY. | DESCRIPTION                                  | DESCRIPCIÓN   |
|-----|--------------------|------|--|---|
| 1   | <b>P021011000</b>  | 1    | <b>GASKET KIT</b>                            | <b>JUEGO DE EMPAQUETADURA</b>                       |
| 2   | 10024242030        | 1    | +GASKET, CRANKCASE                           | +EMPAQUETADURA DE CÁRTER                            |
| 3   | V100000210         | 1    | +GASKET, CYLINDER                            | +EMPAQUETADURA DE CILINDRO                          |
| 4   | V103000210         | 1    | +HEAT SHIELD, INTAKE                         | +PROTECTOR TÉRMICO DEL ADMISIÓN                     |
| 5   | V103000270         | 1    | +GASKET, INTAKE                              | +EMPAQUETADURA DE ADMISIÓN                          |
| 6   | V104000780         | 1    | +HEAT SHIELD, EXHAUST                        | +PROTECTOR TÉRMICO DEL ESCAPE                       |
| 7   | V104000790         | 1    | +GASKET, EXHAUST                             | +EMPAQUETADURA DE ESCAPE                            |
| 8   | <b>90125</b>       | 1    | <b>TUNE-UP KIT - REPOWER</b>                 | <b>JUEGO DE PUESTA A PUNTO - REPOWER</b>            |
| 9   | A226000371         | 1    | +PRE-FILTER, FOAM                            | +PRÉ-FILTRO DE ESPUMA                               |
| 10  | A226000472         | 1    | +FILTER, AIR - DOUBLE LAYER                  | +FILTRO DE AIRE - CAPA DOBLE                        |
| 11  | A369000440         | 1    | +FILTER, FUEL                                | +FILTRO DE COMBUSTIBLE                              |
| 12  | 15901019830        | 1    | +SPARK PLUG - BPM-8Y                         | +BUJÍA BPM-8Y                                       |
| 22  | <b>90137BP</b>     | 1    | <b>FUEL SYSTEM KIT - REPOWER</b>             | <b>KIT DEL SISTEMA DE COMBUSTIBLE - REPOWER</b>     |
| 23  | A356000031         | 1    | +VENT ASSY                                   | +VÁLVULA DE RESPIRADERO                             |
| 24  | V490001230         | 1    | +CLIP Ø6.5MM                                 | +SUJETADOR Ø6.5MM                                   |
| 25  | V471001180         | 1    | +PIPE, VENT 3×6×35 BLACK                     | +TUBO DE VENTILACIÓN 3×6×35 NEGRO                   |
| 26  | V471003710         | 1    | +PIPE, FUEL - 3×5×67 - BLACK                 | +TUBO DE COMBUSTIBLE 3×5×67 NEGRO                   |
| 27  | 13201040830        | 1    | +PIPE, FUEL 3×6×75 CLEAR                     | +TUBO DE COMBUSTIBLE 3×6×75 TRANSPARENTE            |
| 28  | 13211555930        | 1    | +GROMMET, FUEL                               | +OJAL DE COMBUSTIBLE                                |
| 29  | V186000520         | 1    | +CONNECTOR, PIPE Ø5×Ø3.5                     | +CONECTOR DE TUBO Ø5×Ø3.5                           |
| 30  | V490001240         | 2    | +CLIP Ø6                                     | +SUJETADOR Ø6                                       |
| 31  | V471003650         | 1    | +PIPE, FUEL - 3×5×125 - BLACK                | +TUBO DE COMBUSTIBLE 3×5×125 NEGRO                  |
| 32  | A369000440         | 1    | +FILTER, FUEL                                | +FILTRO DE COMBUSTIBLE                              |
| 33  | V107000150         | 1    | +GASKET, FUEL CAP                            | +EMPAQUETADURA DEL TAPA DE COMBUSTIBLE              |
| 38  | <b>90014</b>       | 1    | <b>PIPE, FUEL - REPOWER BULK 3×5mm BLACK</b> | <b>TUBO REPOWER AL POR MAYOR 3×5mm NEGRO</b>        |
| 39  | <b>90017</b>       | 1    | <b>PIPE, FUEL - REPOWER BULK 3×6mm CLEAR</b> | <b>TUBO REPOWER AL POR MAYOR 3×6mm TRANSPARENTE</b> |
| 40  | <b>90015</b>       | 1    | <b>PIPE, FUEL - REPOWER BULK 3×6mm BLACK</b> | <b>TUBO REPOWER AL POR MAYOR 3×6mm NEGRO</b>        |
| 41  | <b>99944440000</b> | 1    | <b>ROPE, STARTER - REPOWER BULK Ø3</b>       | <b>CUERDA DEL ARRANCADOR REPOWER AL POR MAYOR</b>   |