



FITS MODELS

- SRM-230
- SRM-260
- SRM-1500 SERIAL NUMBERS: 0135001 & UP
- SRM-2100 T1 SERIAL NUMBERS: 159491 & UP
- SRM-2100 T1E
- SRM-2100SB
- SRM-2101
- SRM-2110
- SRM-2201
- SRM-2301
- SRM-2400
- SRM-2400SB
- SRM-2450
- SRM-2502
- SRM-2601
- SRM-2602

PARTS CATALOG

**20mm BLADE
CONVERSION KIT**

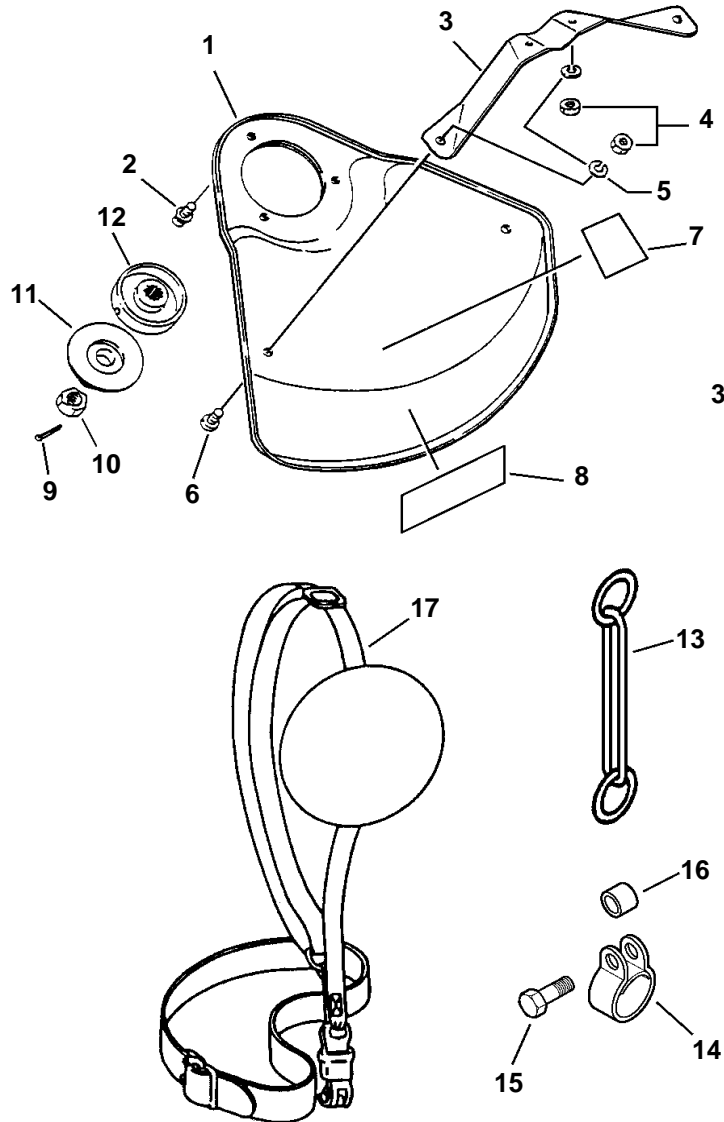
MODEL 99944200410

ECHO, INCORPORATED

400 Oakwood Road Lake Zurich, Illinois 60047

WWW.ECHO-USA.COM

99944200410 BLADE CONVERSION KIT



| ITEM | PART NUMBER | QTY | DESCRIPTION | REMARKS |
|------|-------------|-----|----------------------------|---------|
| 1 | 69901023531 | 1 | SHIELD, METAL | |
| 2 | 90024205010 | 3 | SCREW 5X10 | |
| 3 | 69901523431 | 1 | BRACKET, SHIELD | |
| 4 | 90050000005 | 4 | NUT 5 | |
| 5 | 90060500005 | 4 | SPRING WASHER 5 | |
| 6 | 90022005008 | 1 | SCREW 5X8 | |
| 7 | 89016841030 | 1 | DECAL, CAUTION | |
| 8 | 89011848830 | 1 | DECAL, ECHO | |
| 9 | 89850201130 | 1 | PIN, SPLIT (PACKAGE OF 10) | |
| 10 | 90051100010 | 1 | NUT 10 - LEFT HAND | |
| 11 | 61031404131 | 1 | PLATE FITTING - LOWER | |
| 12 | 61033808930 | 1 | PLATE FITTING - UPPER | |
| 13 | 30130524330 | 1 | LINK | |
| 14 | 30120708930 | 1 | LINK, HOOK | |
| 15 | 90010005018 | 1 | BOLT 5X18 | |
| 16 | 69901203330 | 1 | SPACER | |
| 17 | 30100052130 | 1 | HARNESS ASY | |