



OPTIONAL ATTACHMENTS & ACCESSORIES

Accessories

35130454230	U-Handle Kit
69500120331	8" 80 Tooth Brush Blade
69600120331	8" 8 Tooth Blade
89850308031	8" Blade Protector
99944200047	3 Cutter Metal Blade - 20mm Arbor
99944200130	22 Tooth Clearing Saw Blade -- 20mm Arbor
99944200200	SRM Shoulder Harness Kit
99944200411	20mm Blade Conversion Kit
99944200415	Universal Blade Conversion Kit
99944200455	Barrier Bar
99944200521	U-Handle_Blade Conversion Combo Kit
SRAC-200	Tiller/Cultivator Attachment

Attachments

99944200470	Edger Attachment
99944200480	Hedge Clipper Attachment
99944200485	Hedge Clipper Attachment
99944200510	Cultivator Attachment
99944200530	Power Pruner Attachment
99944200540	Grass Trimmer Attachment
99944200590	Articulating Hedge Clipper Attachment
99944200595	Articulating Hedge Clipper Attachment
99944200600	80 Tooth Blade Trimmer Attachment
99944200610	Rapid Loader Trimmer Attachment

Cutting Heads

215511	Pro Maxi-Cut Head
21560030	ECHOmatic Pro Head
21560031	SRM ECHOmatic Pro Head
21560050	Semi-Auto Head Assembly
21560055	Semi-Auto Head Assembly
21560056	2-Line Rapid Loader Head -- Echo
21560060	SRM Manual Dual Line Head
99944200230	Semi-Auto Dual Line Head
99944200900	U-Turn Head

PARTS CATALOG

SRM-210SB Trimmer

21.2cc

SERIAL NUMBERS

S/N: 09001001 - 09999999

ECHO, INCORPORATED

400 Oakwood Road Lake Zurich, Illinois 60047 USA

WWW.ECHO-USA.COM



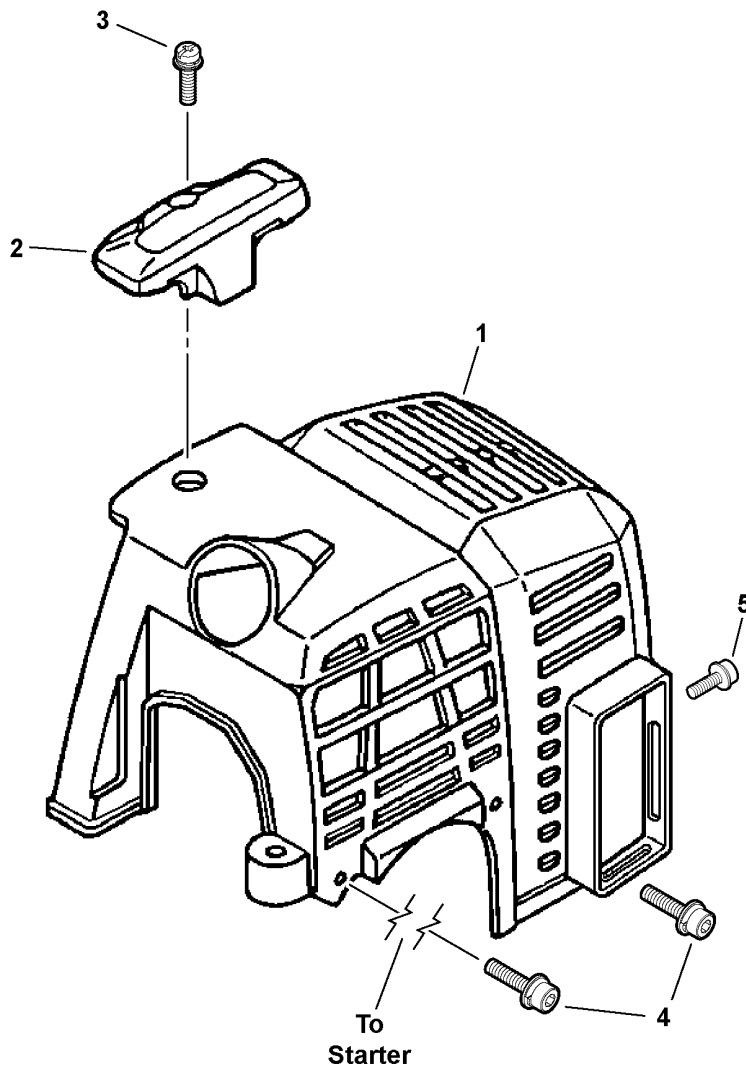
Table of Contents

Click Any Diagram Description Below To View That Diagram.

SRM-210SB S/N: 09001001 - 09999999

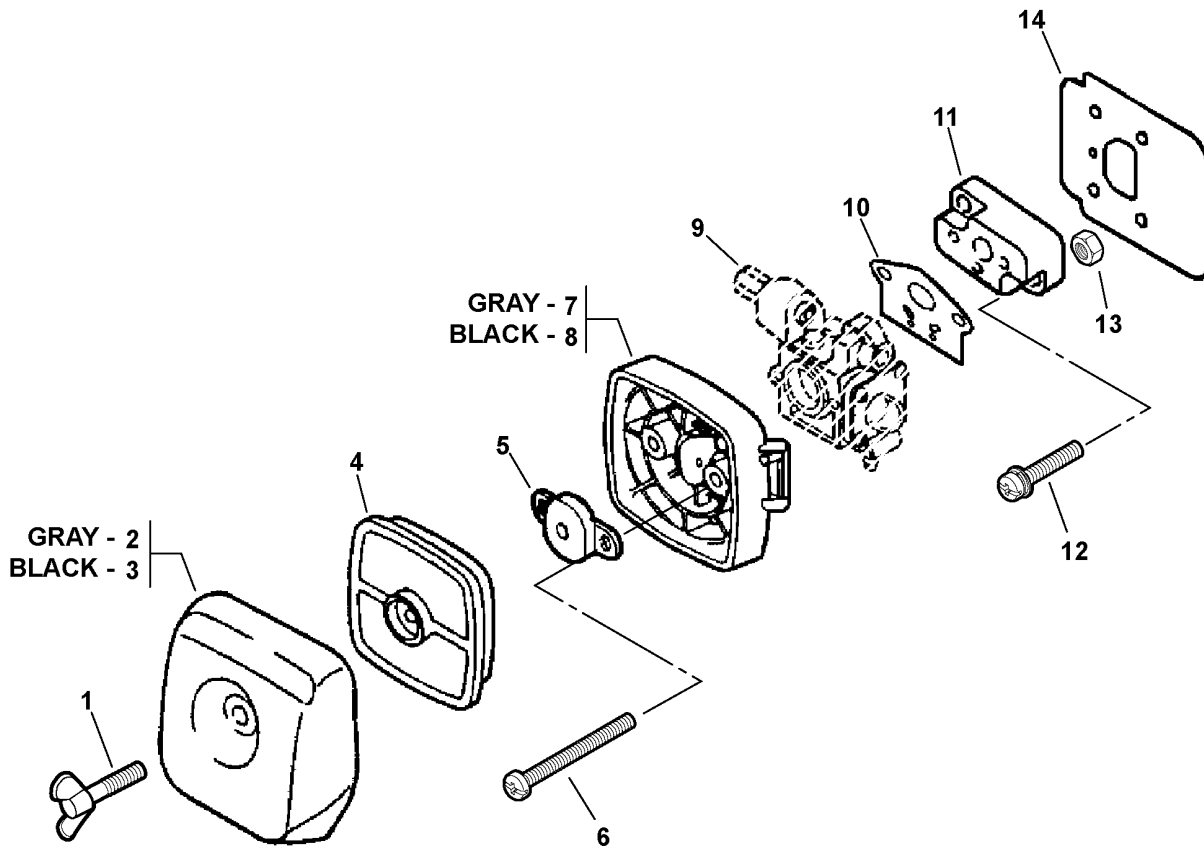
Engine Cover.....	4
Intake.....	6
Carburetor -- RB-K75.....	8
Exhaust.....	10
Starter -- i-30.....	12
Fuel System.....	14
Fan Case, Clutch.....	16
Ignition.....	18
Engine, Short Block -- SB1072.....	20
Plastic Shield.....	22
Gear Case S/N: 09001001 - 09007107.....	24
Gear Case S/N: 09007108 - 09999999.....	26
Main Pipe Assembly, Flexible Driveshaft -- Lower.....	28
Main Pipe Assembly, Flexible Driveshaft, Coupler -- Upper.....	30
Front Handle.....	32
Control Handle, Throttle Cable, Ignition Switch.....	34
Labels.....	36
Gasket Kit -- P021008260.....	38
RePower Tune-Up Kit.....	40
Tools.....	42
Part Number Index.....	44
Part Description Index.....	45

This Page Intentionally Left Blank



001 0008 000

ITEM	PART NUMBER	QTY	DESCRIPTION	REMARKS
1	A160000570	1	COVER, ENGINE	
2	A162000050	1	GUARD, TOP	
3	90023805016	1	SCREW 5X16	
4	90016304016	1	SCREW 4X16	
5	9110704008	1	SCREW	

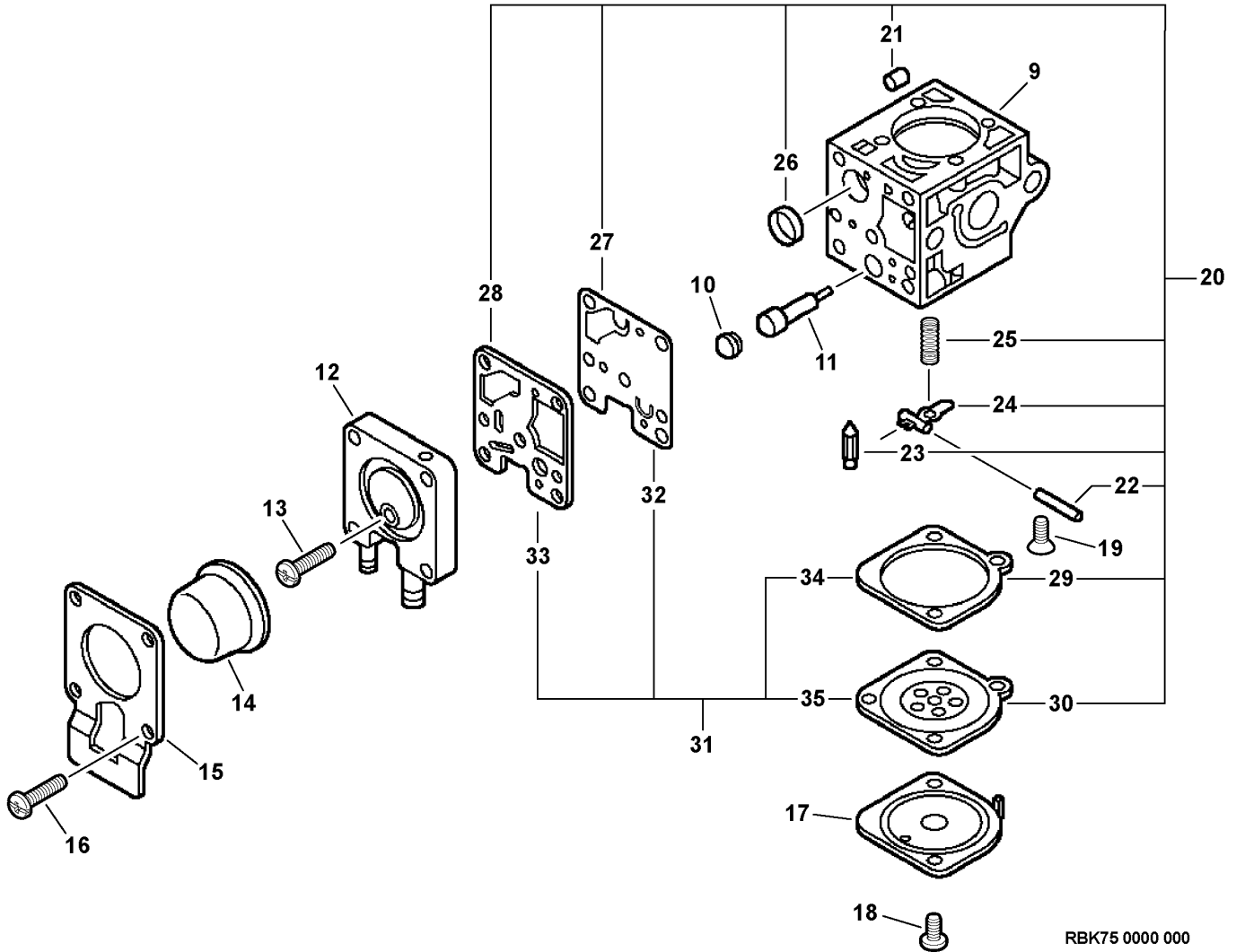
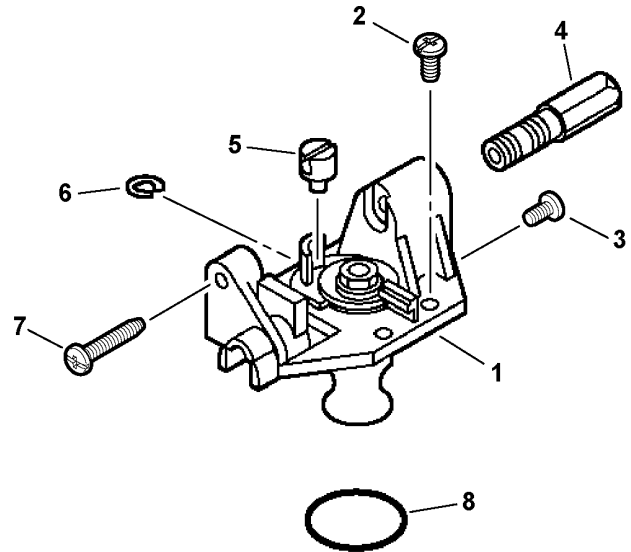


005 0007 00B

ITEM	PART NUMBER	QTY	DESCRIPTION	REMARKS
1	21041752730	1	WING BOLT	
2	13031306563	1	LID, AIR CLEANER -- GRAY	
3	13031305863	1	LID, AIR CLEANER -- BLACK	
4	13031054130	1	FILTER, AIR ¹	
5	12901152730	1	PLATE, PREVENT	
6	90022005065	2	SCREW 5X65	
7	P021000991	1	CASE, AIR CLEANER -- GRAY	
8	P021004480	1	CASE, AIR CLEANER -- BLACK	
9	-----	1	CARBURETOR	See Carburetor Diagram For Additional Information
10	13001013410	1	GASKET, INTAKE ²	
11	13001744330	1	INSULATOR, INTAKE	
12	90023805020	2	SCREW 5X20	
13	90050000005	2	NUT 5	
14	13001042032	1	SHIELD, INTAKE ²	

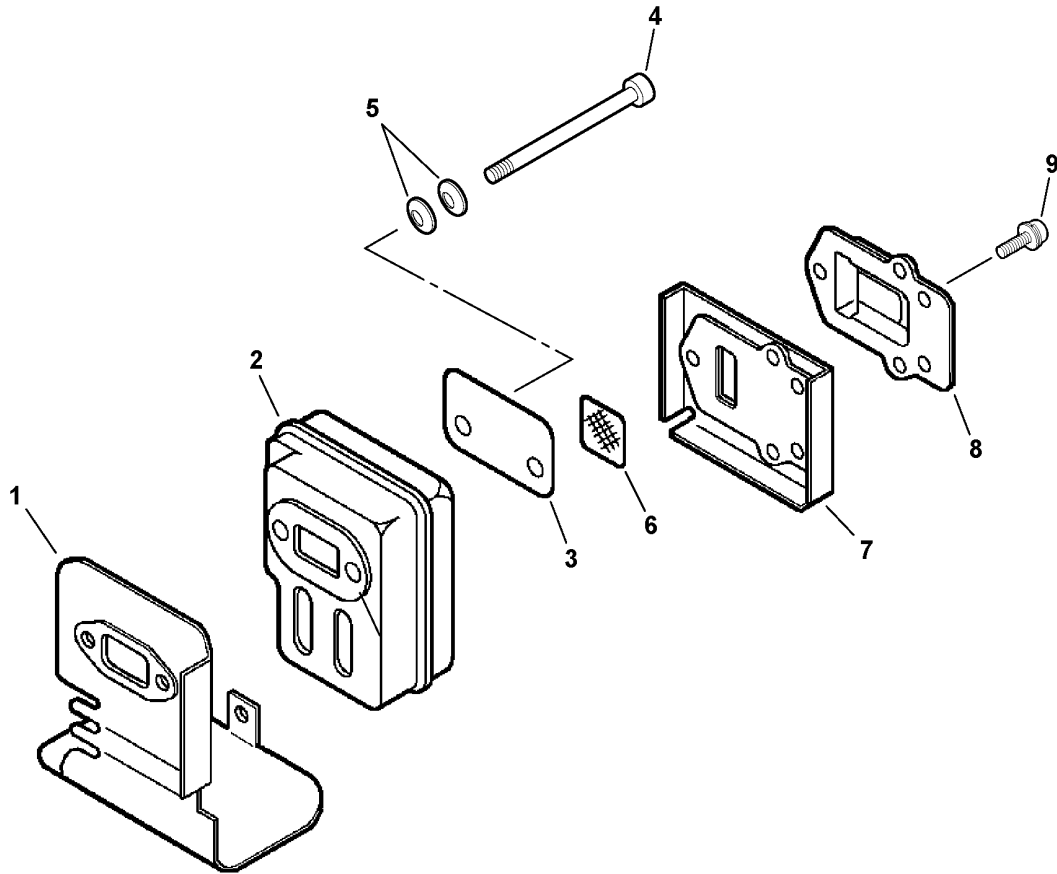
Footnotes

- 1:** Also Included In REPOWER TUNE-UP KIT
- 2:** Also Included In GASKET KIT



RBK75 0000 000

ITEM	PART NUMBER	QTY	DESCRIPTION	REMARKS
	A021000740	1	CARBURETOR -- RB-K75	
1	P005001320	1	ROTOR COVER ASY	
2	12534413931	3	SCREW, ROTOR COVER ASY	
3	12534452130	1	SCREW, ROTOR COVER	
4	P005001330	1	SCREW, CABLE ADJUST	
5	P005001240	1	SWIVEL	
6	P005000190	1	E-RING	
7	P005000100	1	SCREW, THROTTLE ADJUST	
8	P005000280	1	O-RING	
9	-----	1	BODY, CARBURETOR	NOT AVAILABLE SEPARATELY
10	P005001270	1	PLUG	
11	P005001260	1	NEEDLE - HIGH SPEED	
12	P005000930	1	PURGE BASE ASY	
13	P005000270	1	SCREW, PURGE BASE ASY	
14	12538108660	1	BULB, PURGE	
15	P005000250	1	RETAINER, PURGE BULB	
16	12531061830	4	SCREW, PURGE BULB RETAINER	
17	12534252130	1	COVER, DIAPHRAGM	
18	12534452130	3	SCREW, DIAPHRAGM COVER	
19	12533942030	1	SCREW, METERING LEVER PIN	
20	P005001670	1	REPAIR KIT	INCLUDES ITEMS 21-30
21	P005001000	1	ROLLER, GUIDE	
22	-----	1	PIN, METERING LEVER	
23	-----	1	VALVE, INLET NEEDLE	
24	-----	1	LEVER, METERING	
25	-----	1	SPRING, METERING LEVER	
26	-----	1	STRAINER	
27	-----	1	DIAPHRAGM, PUMP	
28	-----	1	GASKET, PUMP	
29	-----	1	GASKET, METERING	
30	-----	1	DIAPHRAGM, METERING	
31	P005001660	1	DIAPHRAGM/GASKET KIT	INCLUDES ITEMS 32-35
32	-----	1	DIAPHRAGM, PUMP	
33	-----	1	GASKET, PUMP	
34	-----	1	GASKET, METERING	
35	-----	1	DIAPHRAGM, METERING	

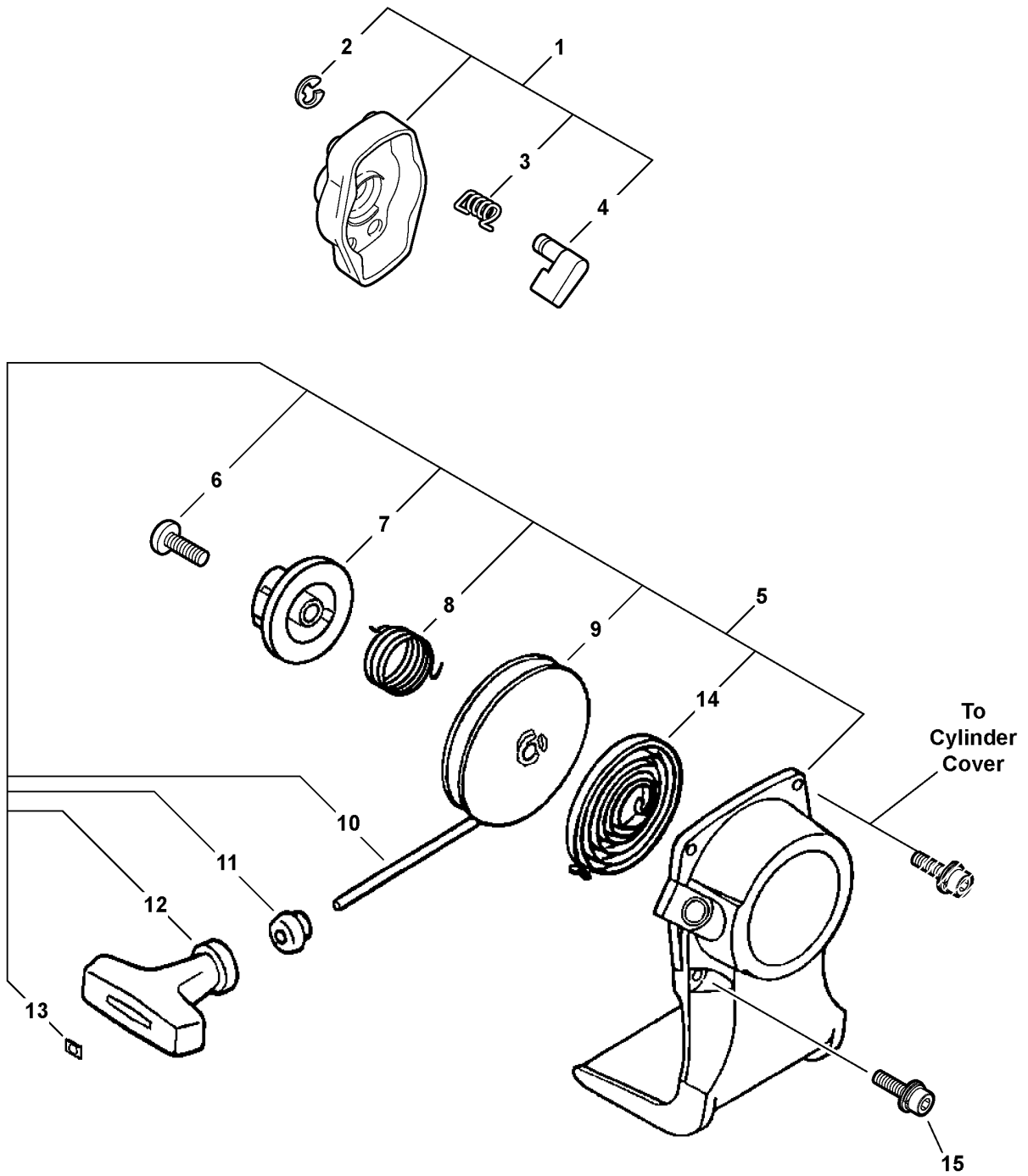


006 0030 000

ITEM	PART NUMBER	QTY	DESCRIPTION	REMARKS
1	V104000500	1	SHIELD, EXHAUST ¹	
2	A300000141	1	MUFFLER	
3	V150000371	1	PLATE, EYE	
4	90010505055	2	SCREW 5X55	
5	V347000000	4	CONICAL WASHER	
6	14586240630	1	SCREEN, MUFFLER	
7	V104000360	1	GASKET, EXHAUST ¹	
8	A313000600	1	GUIDE, EXHAUST	
9	9136704010	5	SCREW 4X10	

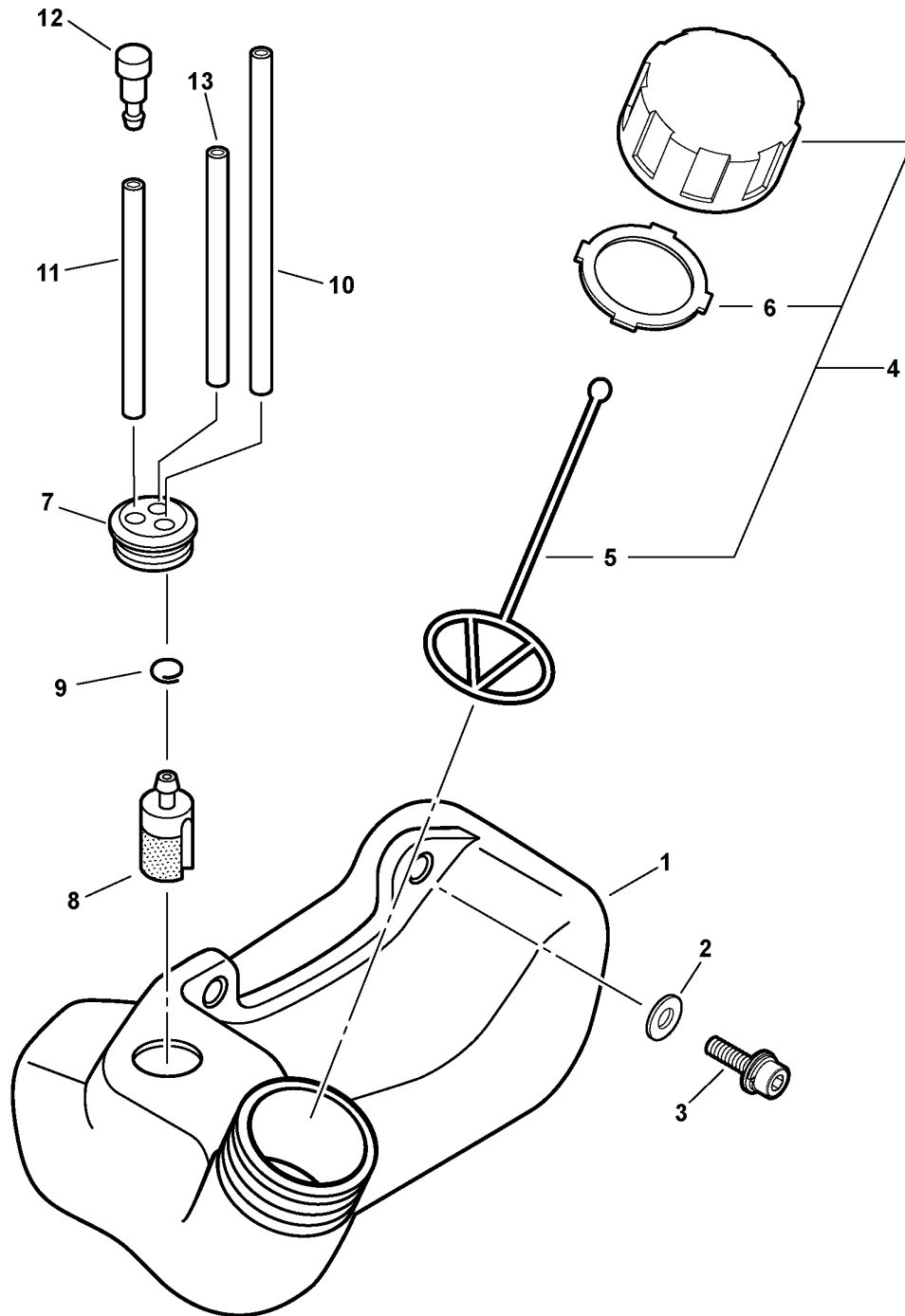
Footnotes

1: Also Included In GASKET KIT



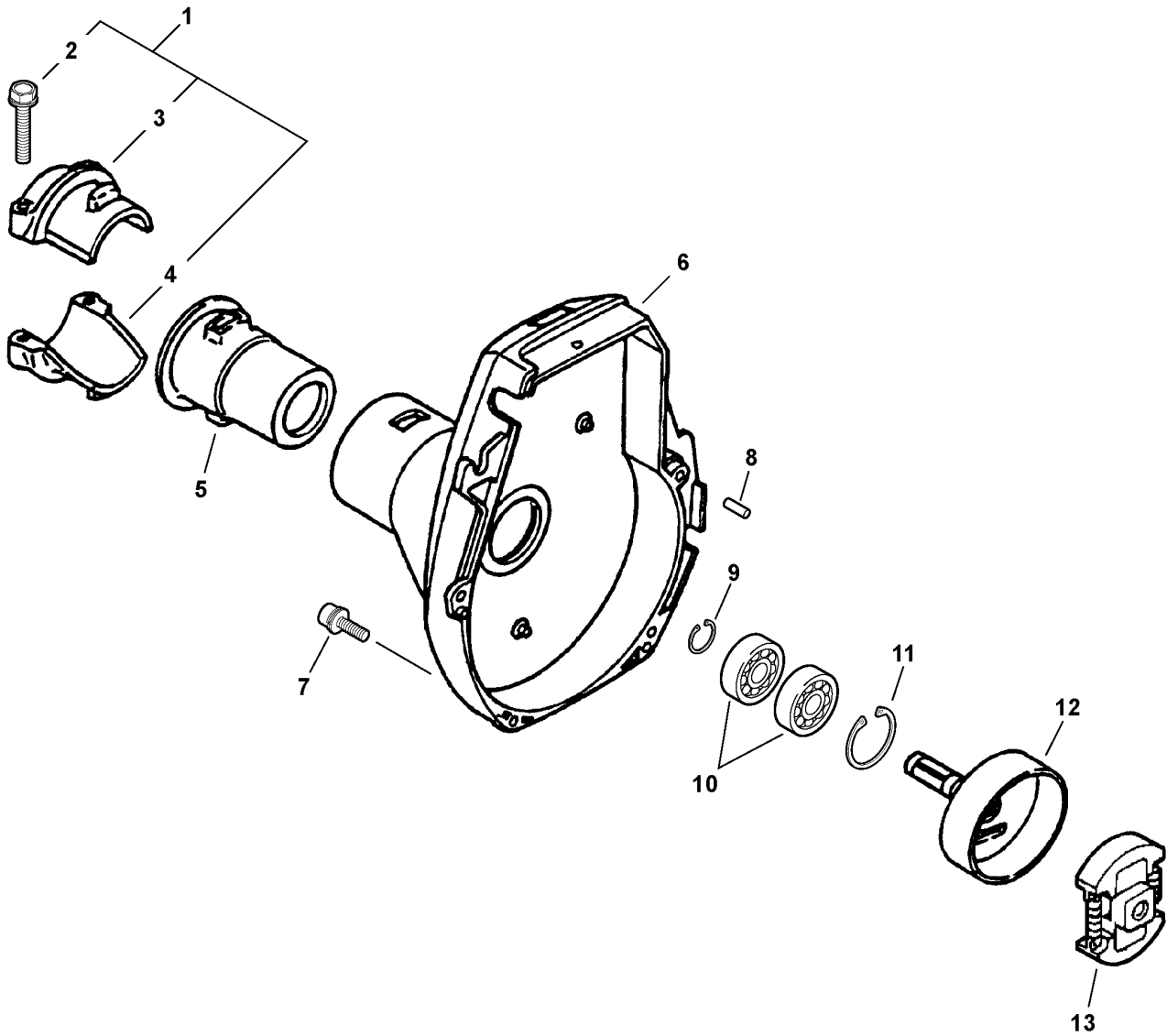
004 0009 000

ITEM	PART NUMBER	QTY	DESCRIPTION	REMARKS
1	A052000180	1	STARTER PAWL ASY	INCLUDES ITEMS 2-4
2	P022002100	2	E-RING	
3	P022006510	2	SPRING, PAWL RETURN	
4	P022006850	2	PAWL, STARTER	
5	A051000680	1	STARTER ASY	INCLUDES ITEMS 6-14
6	17723661830	1	SCREW	
7	P022008280	1	PLATE, CAM	
8	P022008270	1	SPRING, DAMPER	
9	P022006830	1	DRUM	
10	P022008260	1	ROPE, STARTER - 3X700mm	REPOWER BULK OPTION: 99944440000
11	17722742030	1	GUIDE, ROPE	
12	17722827030	1	GRIP, STARTER	
13	17724611120	1	CLIP, STARTER ROPE	
14	17722042030	1	SPRING, REWIND	
15	90016304016	4	SCREW 4X16	



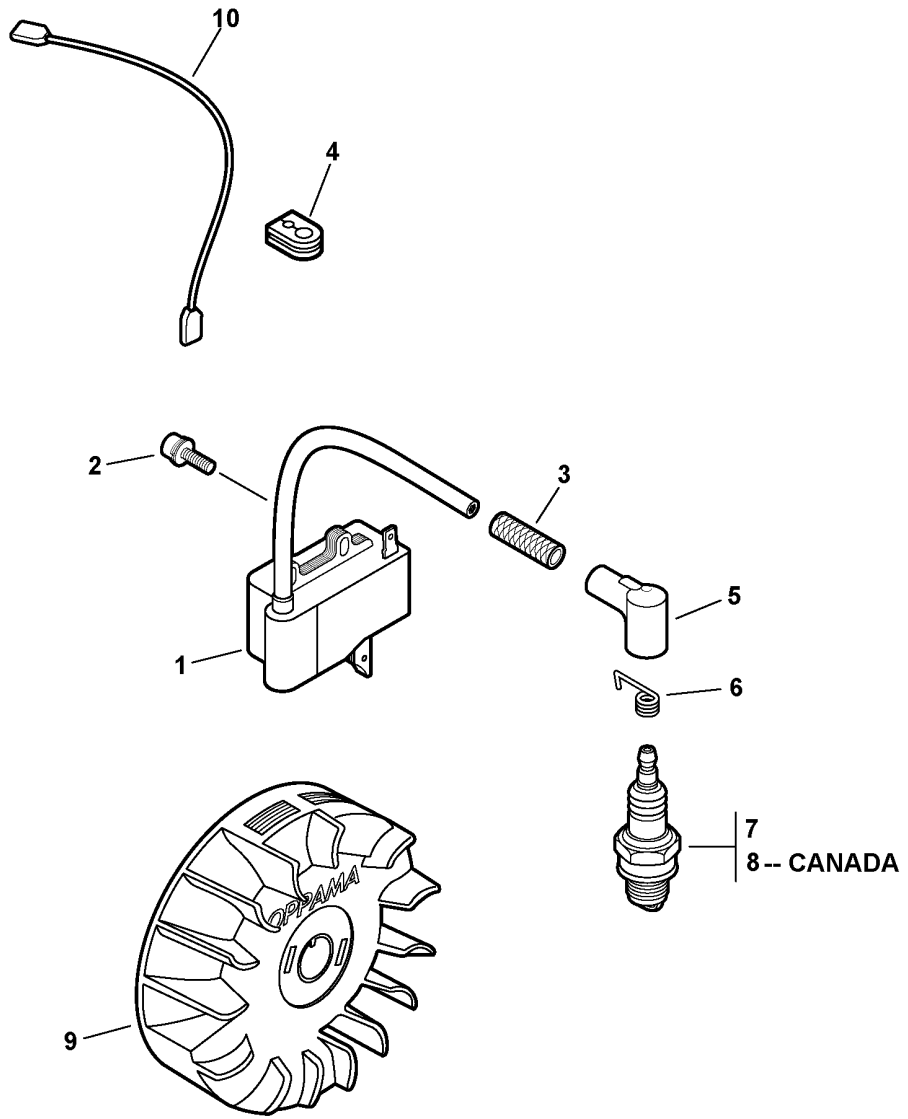
002 0006 00B

ITEM	PART NUMBER	QTY	DESCRIPTION	REMARKS
1	A350000290	1	TANK, FUEL	
2	90060300005	2	WASHER 5	
3	90016205020	2	SCREW 5X20	
4	13100455530	1	CAP ASY	INCLUDES ITEMS 5-6
5	13105156030	1	CONNECTOR, CAP	
6	13101655830	1	GASKET, CAP	
7	V137000030	1	GROMMET	
8	13120507320	1	FILTER, FUEL	
9	13201309820	1	CLIP	
10	V471001190	1	PIPE, FUEL - 3X5X180mm	REPOWER BULK OPTION: 90014
11	V471001200	1	PIPE, VENT - 3X5X70mm	REPOWER BULK OPTION: 90014
12	A356000030	1	VENT ASY	
13	13201256030	1	PIPE, RETURN - 3X6X80mm	REPOWER BULK OPTION: 90017



003 0005 000

ITEM	PART NUMBER	QTY	DESCRIPTION	REMARKS
1	61090355230	1	HOLDER KIT	INCLUDES ITEMS 2-4
2	90014205025	2	BOLT 5X25	
3	61092227432	1	HOLDER	
4	61092355230	1	HOLDER	
5	61091055230	1	CUSHION	
6	10150352131	1	FAN COVER ASY	
7	90016304016	4	SCREW 4X16	
8	V622000020	2	DOWEL PIN	
9	90070100012	1	CIRCLIP 12	
10	90080796001	2	BEARING, BALL - 6001	
11	90070200028	1	CIRCLIP 28	
12	17500548931	1	DRUM, CLUTCH	
13	17500056830	1	CLUTCH ASY	

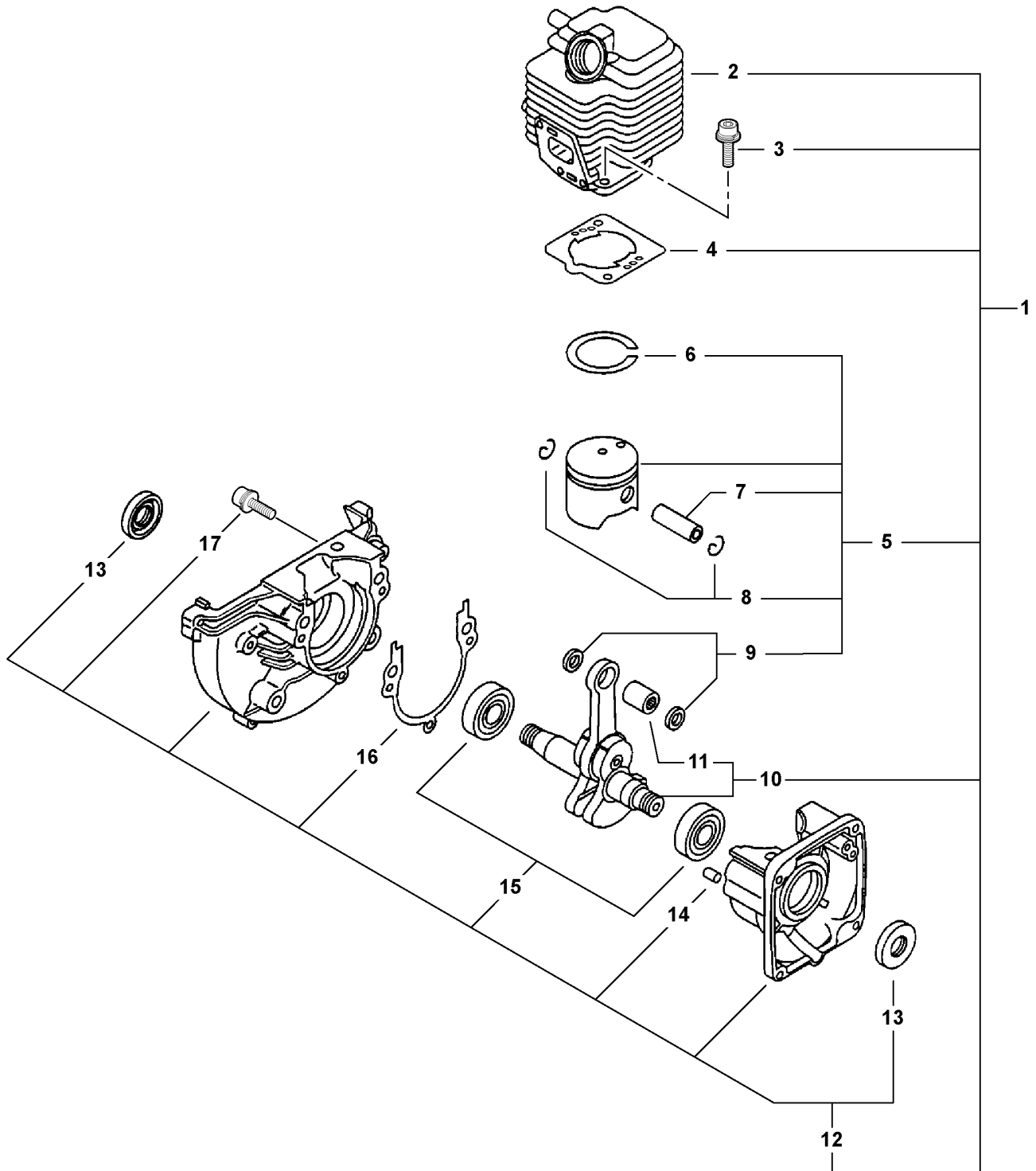


007 0043 00B

ITEM	PART NUMBER	QTY	DESCRIPTION	REMARKS
1	A411000140	1	COIL, IGNITION	
2	90016204020	2	SCREW 4X20	
3	15611054930	1	TUBE, INSULATOR	
4	15611240630	1	BUSHING	
5	15901201620	1	CAP, SPARK PLUG	
6	15901103432	1	TERMINAL, SPARK PLUG CAP	
7	15901019830	1	SPARK PLUG -- BPM-8Y ¹	
8	A425000000	1	SPARK PLUG -- BPMR-8Y ¹	CANADA MODELS
9	A409000210	1	FLYWHEEL	
10	16201052830	1	LEAD, IGNITION	

Footnotes

1: Also Included In REPOWER TUNE-UP KIT

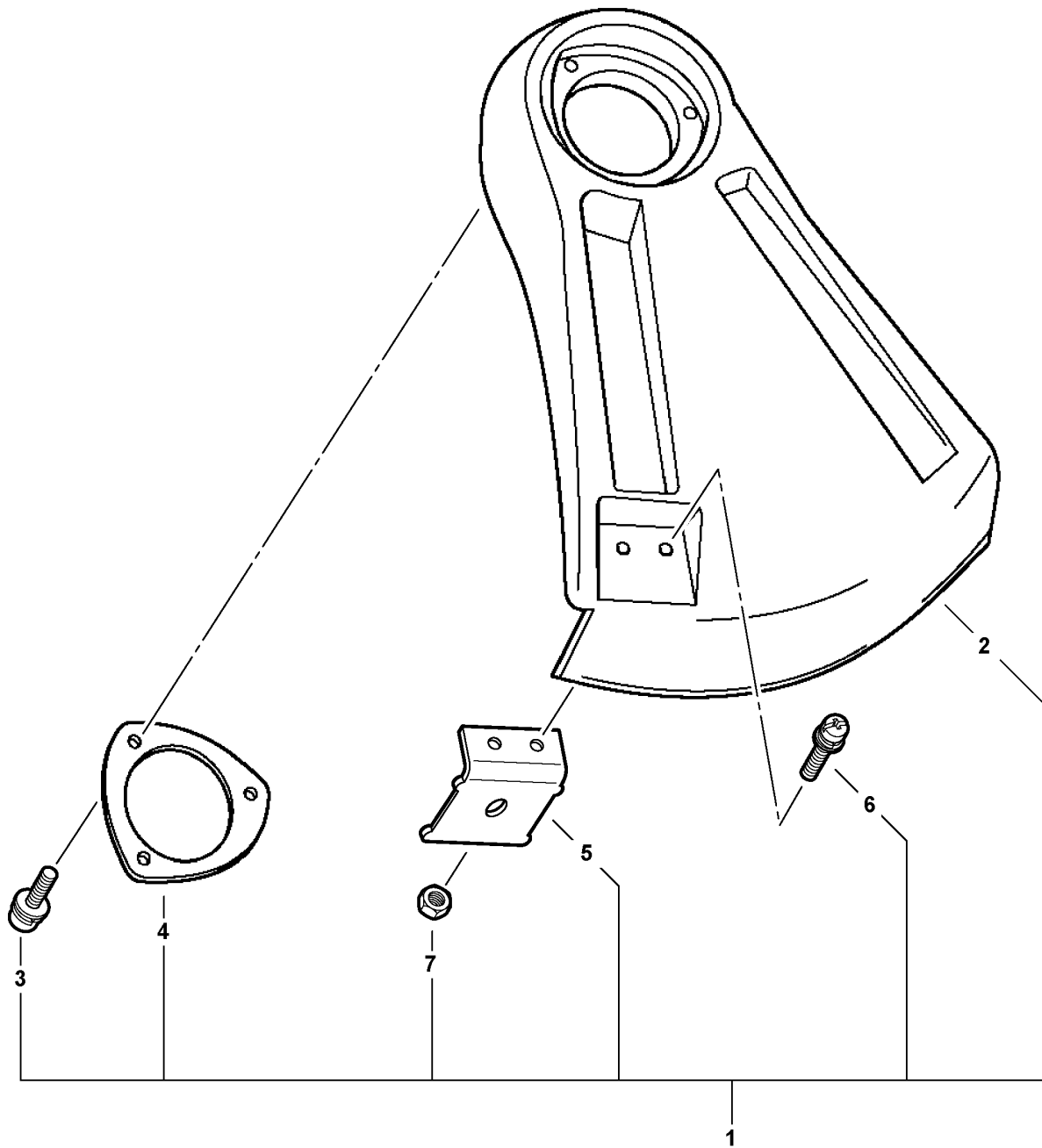


SB1072 0000 000

ITEM	PART NUMBER	QTY	DESCRIPTION	REMARKS
1	SB1072	1	SHORT BLOCK	INCLUDES ITEM 2-17
2	A130000540	1	CYLINDER	
3	90016205022	2	SCREW 5X22	
4	V100000160	1	GASKET, CYLINDER ¹	
5	P021007712	1	PISTON KIT	INCLUDES ITEMS 6-9
6	A101000090	1	RING, PISTON	
7	10001311520	1	PIN, PISTON	
8	10001504630	2	CIRCLIP, PISTON PIN	
9	10001411520	2	SPACER, PISTON PIN	
10	A011000101	1	CRANKSHAFT ASY	INCLUDES ITEM 11
11	V553000010	1	BEARING, NEEDLE	
12	10020452132	1	CRANKCASE KIT	INCLUDES ITEMS 13-17
13	10021242031	2	OIL SEAL	
14	V622000020	2	DOWEL PIN	
15	9403536201	2	BEARING, BALL - 6201	
16	10024242030	1	GASKET, CRANKCASE ¹	
17	90016205028	3	SCREW 5X28	

Footnotes

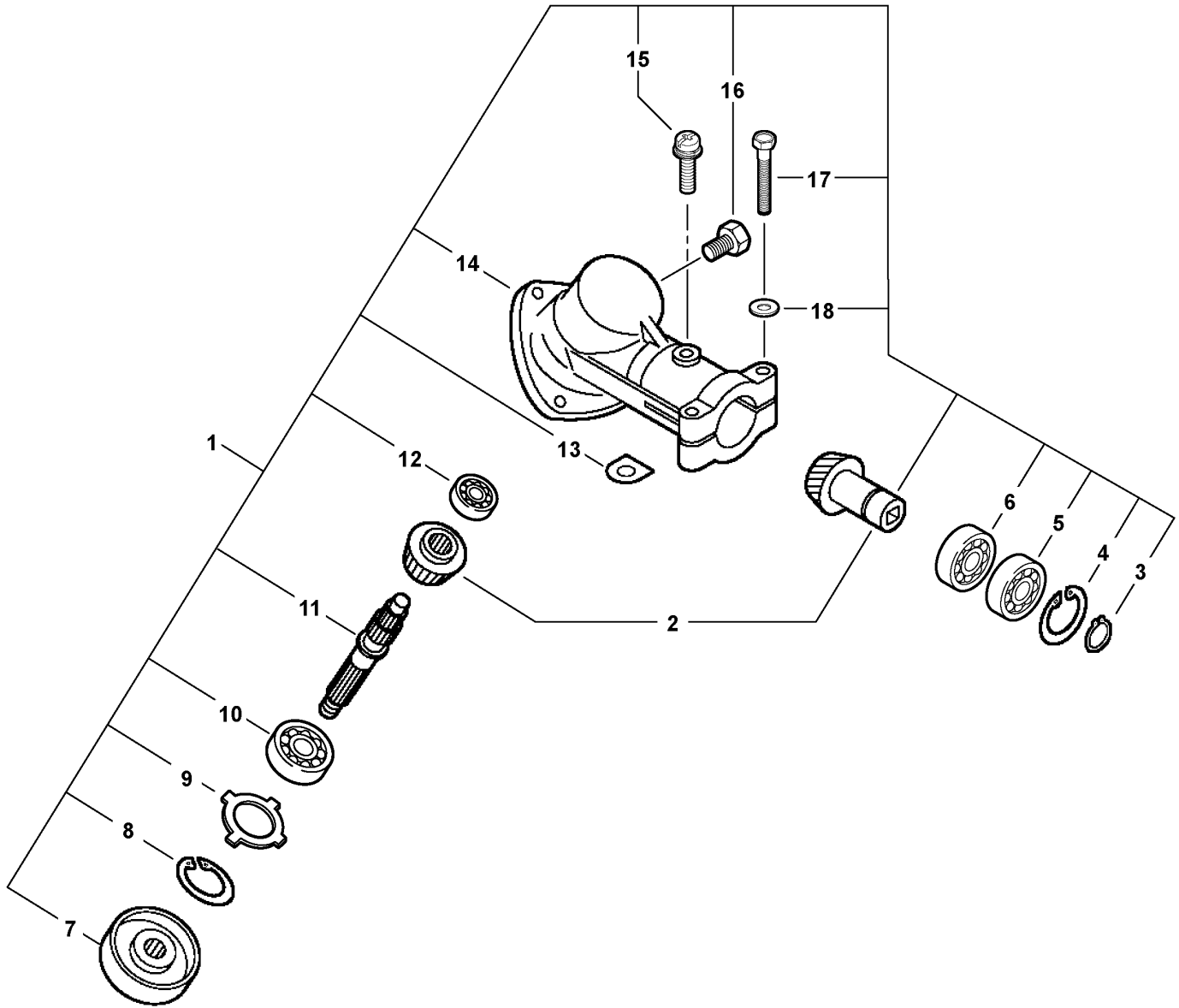
¹: Also Included In GASKET KIT



034 0001 000

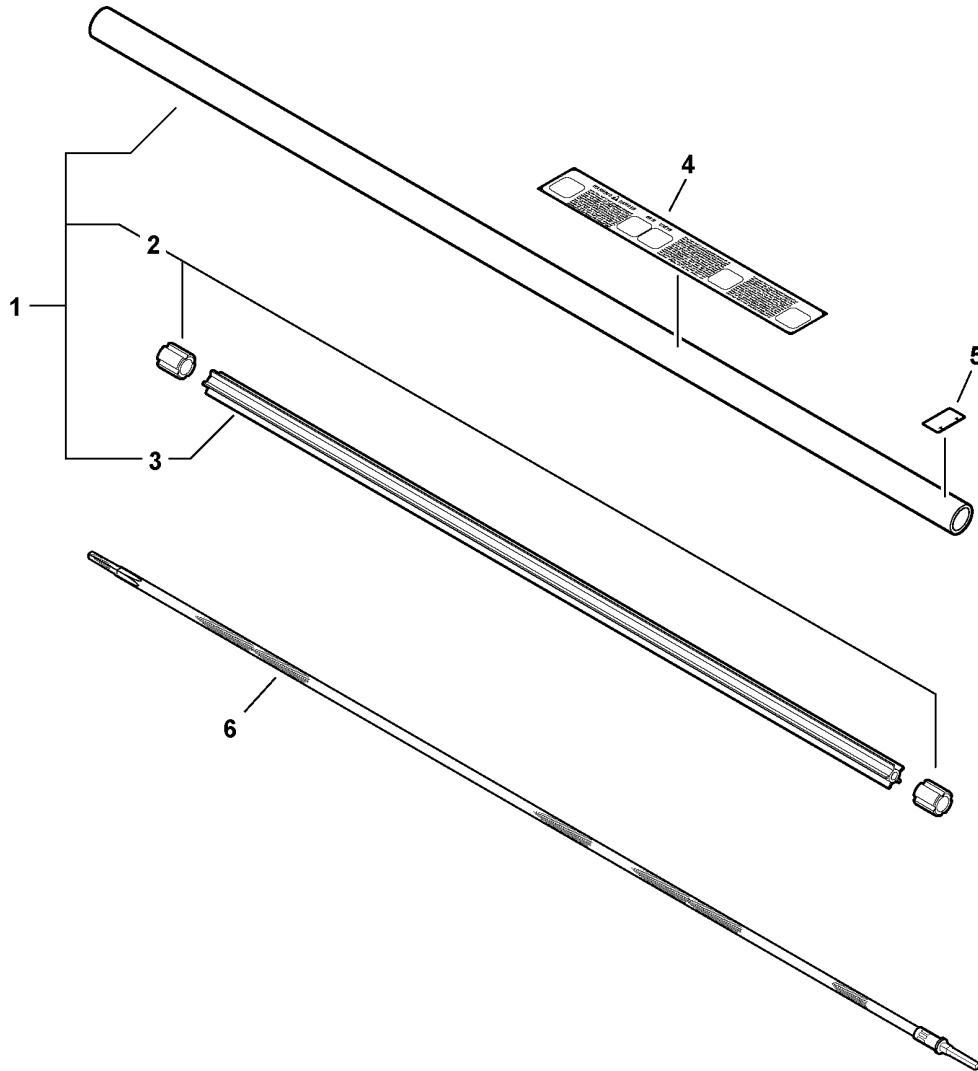
ITEM	PART NUMBER	QTY	DESCRIPTION	REMARKS
1	P021001392	1	PLASTIC SHIELD KIT	INCLUDES ITEMS 2-7
2	C550000031	1	SHIELD - PLASTIC	
3	90023805020	3	SCREW 5X20	
4	C552000110	1	FLANGE, SHIELD	
5	69901644330	1	CUTTER, LINE	
6	90023805016	2	SCREW 5X16	
7	90050000005	2	NUT 5	

ITEM	PART NUMBER	QTY	DESCRIPTION	REMARKS
1	P021008180	1	GEAR HOUSING ASY	INCLUDES ITEMS 2-18
2	61030044830	1	GEAR SET	
3	90070600010	1	CIRCLIP 10	
4	90070200022	1	CIRCLIP 22	
5	9406306900	1	BEARING, BALL 6900Z	
6	9406006900	1	BEARING, BALL 6900	
7	C535000210	1	PLATE, ADAPTER - UPPER	
8	90070200032	1	CIRCLIP 32	
9	V340000130	1	WASHER	
10	90081206201	1	BEARING, BALL 6201	
11	C534000270	1	SHAFT, P.T.O.	
12	9406000609	1	BEARING, BALL 609	
13	61023904130	2	SHIM WASHER	
14	C531000310	1	HOUSING, GEAR	
15	90024205010	1	SCREW 5X10	
16	61043450031	1	BOLT 8X8	
17	90010005035	2	BOLT 5X35	
18	90060000005	2	WASHER 5	



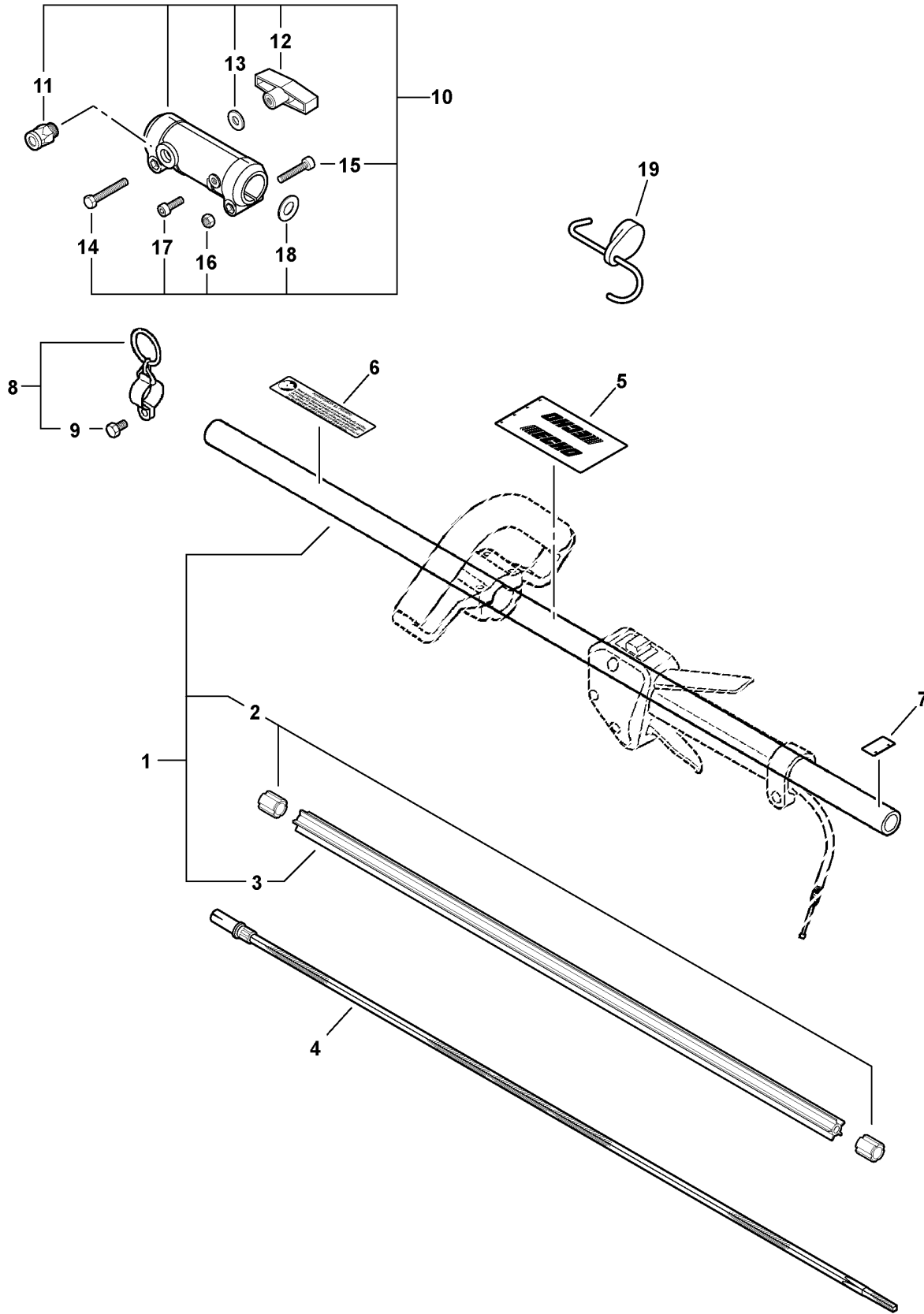
032 0010 0VA

ITEM	PART NUMBER	QTY	DESCRIPTION	REMARKS
1	P021008181	1	GEAR HOUSING ASY	INCLUDES ITEMS 2-18
2	61030044830	1	GEAR SET	
3	90070600010	1	CIRCLIP 10	
4	90070200022	1	CIRCLIP 22	
5	9406306900	1	BEARING, BALL 6900Z	
6	9406006900	1	BEARING, BALL 6900	
7	C535000210	1	PLATE, ADAPTER - UPPER	
8	90070200032	1	CIRCLIP 32	
9	V340000180	1	WASHER	
10	90081206201	1	BEARING, BALL 6201	
11	C534000270	1	SHAFT, P.T.O.	
12	9406000609	1	BEARING, BALL 609	
13	61023904130	2	SHIM WASHER	
14	C531000310	1	HOUSING, GEAR	
15	90024205010	1	SCREW 5X10	
16	61043450031	1	BOLT 8X8	
17	90010005035	2	BOLT 5X35	
18	90060000005	2	WASHER 5	



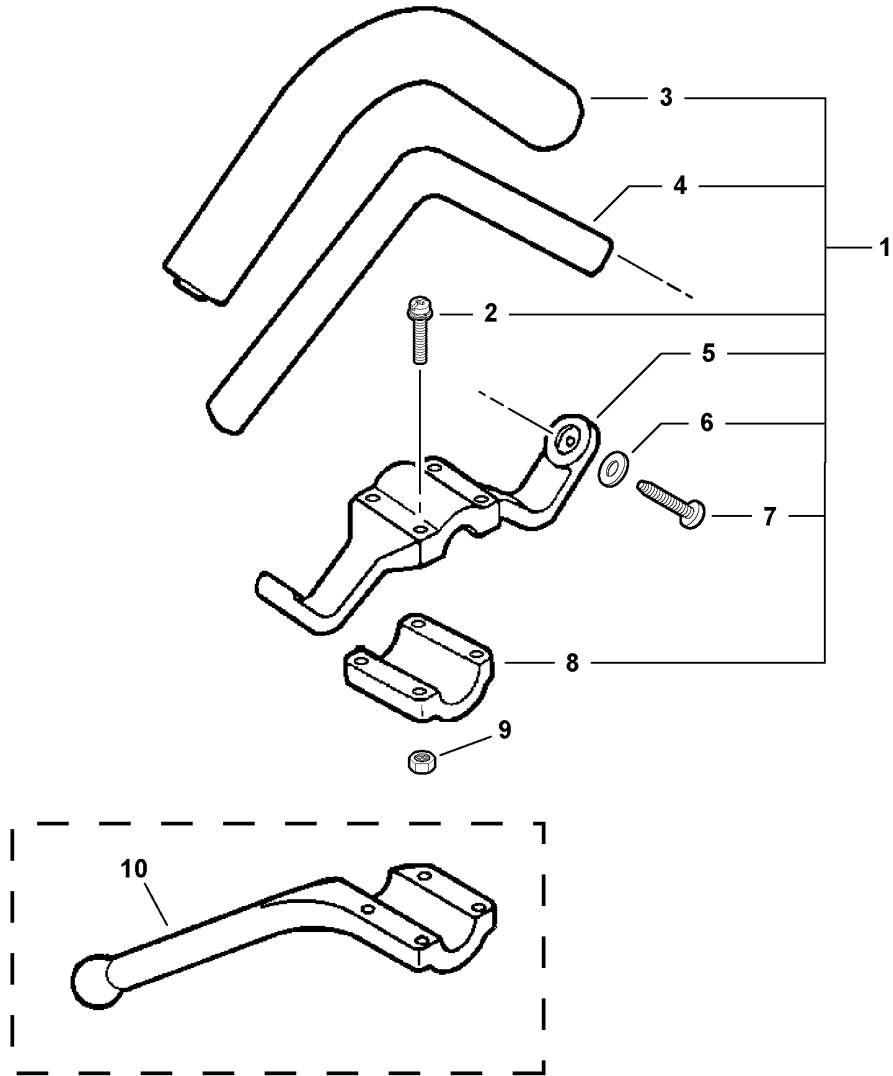
031 0007 000

ITEM	PART NUMBER	QTY	DESCRIPTION	REMARKS
1	61020654130	1	MAIN PIPE ASY	INCLUDES ITEMS 2-3
2	61024644730	2	STOPPER	
3	61021752630	1	LINER, FLEXIBLE	
4	C506000000	1	DRIVESHAFT - FLEXIBLE	
5	89016054130	1	LABEL - CAUTION	
6	89015204930	1	LABEL - PIPE LOCATION	



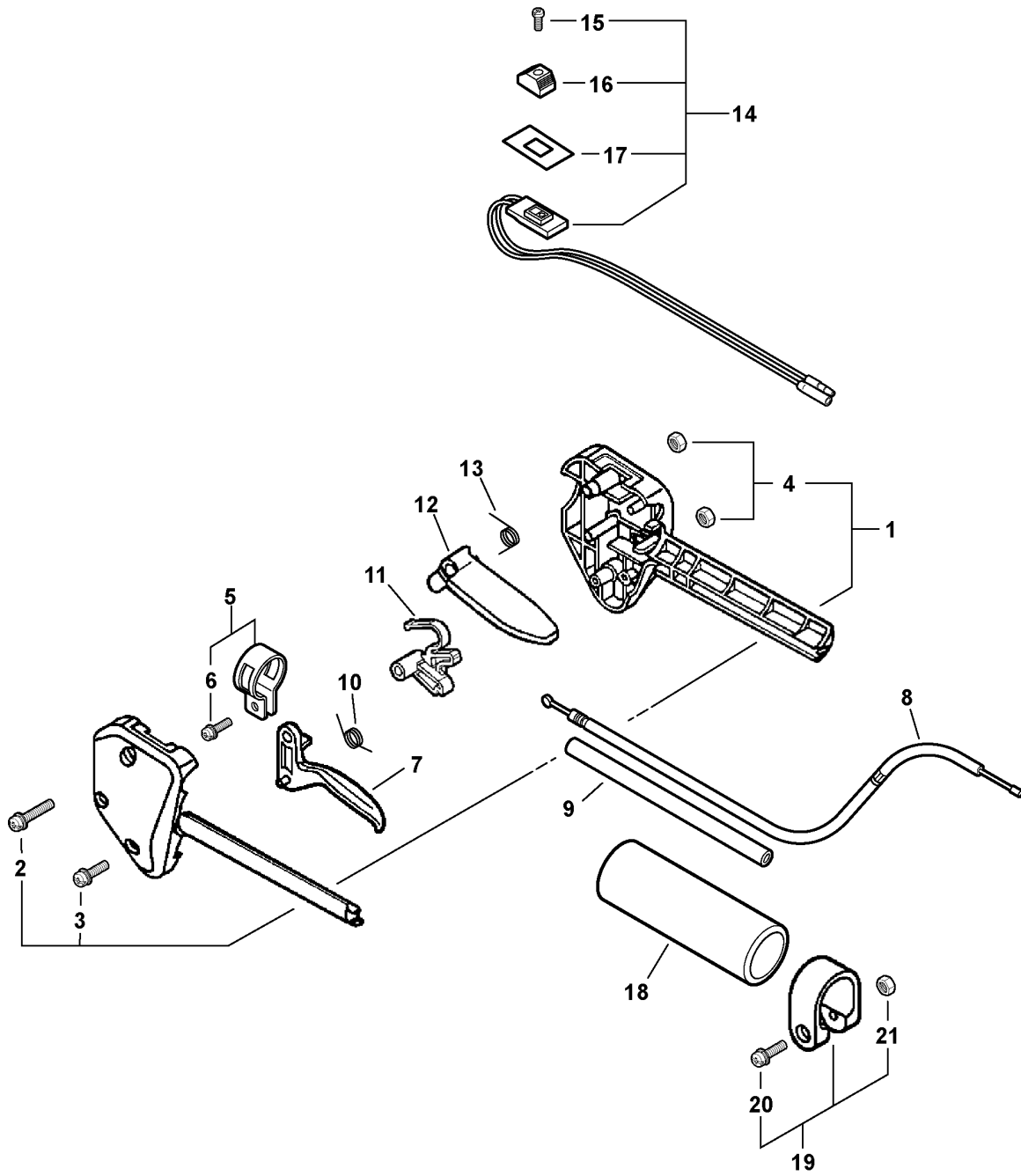
031 0008 000

ITEM	PART NUMBER	QTY	DESCRIPTION	REMARKS
1	61020656730	1	MAIN PIPE ASY	INCLUDES ITEMS 2-3
2	61024644730	2	STOPPER	
3	61021756730	1	LINER, FLEXIBLE	
4	C506000041	1	DRIVESHAFT - FLEXIBLE	
5	X505001930	1	LABEL - HANDLE LOCATION	
6	89022809560	1	LABEL - CAUTION -- SPANISH	
7	89015204930	1	LABEL - PIPE LOCATION	
8	30120021330	1	HARNESS RING ASY	
9	90010005012	1	BOLT 5X12	
10	P021004350	1	COUPLER ASY	INCLUDES ITEMS 11-18
11	17830256630	1	LATCH ASY	
12	V299000160	1	KNOB	
13	V304000040	1	WASHER	
14	9108506040	1	BOLT 6X40	
15	90010506025	1	SCREW 6X25	
16	90051400006	1	NUT 6	
17	90010506010	1	SCREW 6X10	
18	V312000010	1	WASHER	
19	99944200630	1	PAS ATTACHMENT HANGER	INCLUDES 4 PER PACKAGE



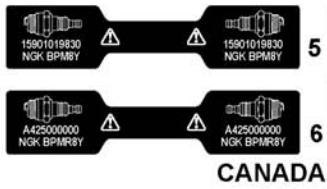
030 0008 000

ITEM	PART NUMBER	QTY	DESCRIPTION	REMARKS
1	P021000021	1	FRONT HANDLE ASY	INCLUDES ITEMS 2-9
2	90024205035	4	SCREW 5X35	
3	35121666230	1	GRIP, HANDLE	
4	35120566230	1	HANDLE, FRONT	
5	35123266230	1	BRACKET, HANDLE - UPPER	
6	90060000005	2	WASHER 5	
7	90025305020	2	SCREW 5	
8	35122507130	1	BRACKET, HANDLE - LOWER	
9	90050000005	4	NUT 5	
10	99944200455	1	BAR, BARRIER	



030 0035 000

ITEM	PART NUMBER	QTY	DESCRIPTION	REMARKS
1	17800352130	1	CONTROL HANDLE KIT	INCLUDES ITEMS 2-4
2	90024205035	1	SCREW 5X35	
3	90024205025	1	SCREW 5X25	
4	90050000005	2	NUT 5	
5	30120029430	1	BAND ASY	INCLUDES ITEM 6
6	90024205014	1	SCREW 5X14	
7	17801052130	1	TRIGGER, THROTTLE	
8	V430000730	1	CABLE, THROTTLE	
9	17812750330	1	TUBE, VINYL	
10	17804342230	1	SPRING, THROTTLE RETURN	
11	17801252730	1	LOCKOUT, THROTTLE TRIGGER	
12	17809052631	1	LEVER, THROTTLE TRIGGER LOCKOUT	
13	17801352630	1	SPRING, THROTTLE LOCKOUT	
14	16340155631	1	IGNITION SWITCH ASY	INCLUDES ITEMS 15-17
15	9154503010	1	SCREW 3X10	
16	16341049231	1	KNOB, SWITCH	
17	89015712330	1	COVER, SWITCH	
18	35121352130	1	GRIP, HANDLE	
19	61027252130	1	CLAMP KIT	INCLUDES ITEMS 20-21
20	90024205028	1	SCREW 5X28	
21	90050000005	1	NUT 5	



100 0086 00C

ITEM	PART NUMBER	QTY	DESCRIPTION	REMARKS
1	89012152730	1	LABEL - CHOKE	
2	89033252730	1	LABEL - CHOKE	CANADA MODELS
3	89016006361	1	LABEL - CAUTION -- HOT	
4	X502000150	1	LABEL - ECHO	
5	X532000671	1	LABEL - SPARK PLUG -- BPM-8Y	
6	X532000720	1	LABEL - SPARK PLUG -- BPMR-8Y	CANADA MODELS
7	X543000170	1	LABEL - MODEL -- SRM-210	
8	X543000180	1	LABEL - MODEL -- SRM-210SB	
9	X543000190	1	LABEL - MODEL -- SRM-210U	
10	X503001290	1	LABEL - MODEL -- SRM-211	
11	X503001580	1	LABEL - MODEL -- SRM-211SB	
12	X503001690	1	LABEL - MODEL -- SRM-211U	

Use Gasket Kit	Contains:	Service Number	Description
P021008260		10024242030	GASKET, CRANKCASE
		13001013410	GASKET, INTAKE
		13001042032	GASKET, INTAKE
		14586642031	GASKET, EXHAUST
		V100000160	GASKET, CYLINDER
		V104000360	GASKET, EXHAUST
		V104000500	SHIELD, EXHAUST

300 0009 000

<u>ITEM</u>	<u>PART NUMBER</u>	<u>QTY</u>	<u>DESCRIPTION</u>	<u>REMARKS</u>
1	P021008260	1	GASKET KIT	

RePower Tune-Up Kit	Contains: Service Number	Description
90074	13031054130	AIR FILTER
	13120507320	FUEL FILTER
	15901019830	SPARK PLUG BPM-8Y

<u>ITEM</u>	<u>PART NUMBER</u>	<u>QTY</u>	<u>DESCRIPTION</u>	<u>REMARKS</u>
1	90074	1	TUNE-UP KIT	

SOCKET WRENCH W/SCREWDRIVER (Also Remove Spark Plugs)

1 - 89541010630 -- 17X19mm

2 - X602000020 -- 17X19mm

3 - 89541039131 -- 10X19mm

4 - 89541006960 -- 13X19mm

SOCKET WRENCH

5 - X602000031 -- 17X14.5mm

LOCKING BAR

6 - 89751801131 -- 5X120mm

OPEN END WRENCH

7 - 89511200330 -- 8X10mm

8 - 89512220960 -- 17X19mm

9 - 89501505260 -- 10mm

HEX BAR

10 - 89541220960 -- 10mm

HEX KEY

11 - 89561203430 -- 3mm

12 - 89561000130 -- 4mm

13 - 89561100330 -- 5mm

TORX KEY

14 - X506000050 -- 3mm

SCREWDRIVER

15 - 89581100130 -- 125mm SLOTTED

16 - 89581203930 -- 50mm PHILLIPS

CHUCK KEY

17 - 89757005560

200 0002 000

ITEM	PART NUMBER	QTY	DESCRIPTION	REMARKS
1	89541010630	1	SOCKET WRENCH/SCREWDRIVER	17X19mm
2	X602000020	1	SOCKET WRENCH/SCREWDRIVER	17X19mm
3	89541039131	1	SOCKET WRENCH/SCREWDRIVER	10X19mm
4	89541006960	1	SOCKET WRENCH/SCREWDRIVER	13X19mm
5	X602000031	1	SOCKET WRENCH	17X14.5mm
6	89751801131	1	LOCKING BAR	5X120mm
7	89511200330	1	OPEN END WRENCH	8X10mm
8	89512220960	1	OPEN END WRENCH	17X19mm
9	89501505260	1	OPEN END WRENCH	10mm
10	89541220960	1	HEX BAR	10mm
11	89561203430	1	HEX KEY	3mm
12	89561000130	1	HEX KEY	4mm
13	89561100330	1	HEX KEY	5mm
14	X605000050	1	TORX KEY	3mm
15	89581100130	1	SCREWDRIVER	SLOTTED HEAD
16	89581203930	1	SCREWDRIVER	PHILLIPS HEAD
17	89757005560	1	CHUCK KEY	



Part Number Index

Click The Page Number After Any Part Number To View The Diagram Containing That Part.

Part Number	Page	Part Number	Page	Part Number	Page
-----7, 9	8901215273037	A35000029015
1000131152021	8901520493029, 31	A35600003015
1000141152021	8901571233035	A40900021019
1000150463021	8901600636137	A41100014019
1002045213221	8901605413029	A42500000019
1002124203121	8902280956031	C50600000029
1002424203021	8903325273037	C50600004131
1015035213117	8950150526043	C53100031025, 27
125310618309	8951120033043	C53400027025, 27
125339420309	8951222096043	C53500021025, 27
125342521309	8954100696043	C55000003123
125344139319	8954101063043	C55200011023
125344521309	8954103913143	P0050001009
125381086609	8954122096043	P0050001909
129011527307	8956100013043	P0050002509
130010134107	8956110033043	P0050002709
130010420327	8956120343043	P0050002809
130017443307	8958110013043	P0050009309
130310541307	8958120393043	P0050010009
130313058637	8975180113143	P0050012409
130313065637	8975700556043	P0050012609
1310045553015	9001000501231	P0050012709
1310165583015	9001000503525, 27	P0050013209
1310515603015	9001050505511	P0050013309
1312050732015	9001050601031	P0050016609
1320125603015	9001050602531	P0050016709
1320130982015	9001420502517	P02100002133
1458624063011	9001620402019	P0210009917
1561105493019	9001620502015	P02100139223
1561124063019	9001620502221	P02100435031
1590101983019	9001620502821	P0210044807
1590110343219	900163040165, 13, 17	P02100771221
1590120162019	900220050657	P02100818025
1620105283019	900238050165, 23	P02100818127
1634015563135	900238050207, 23	P02100826039
1634104923135	9002420501025, 27	P02200210013
1750005683017	9002420501435	P02200651013
1750054893117	9002420502535	P02200683013
1772204203013	9002420502835	P02200685013
1772274203013	9002420503533, 35	P02200826013
1772282703013	9002530502033	P02200827013
1772366183013	900500000057, 23, 33, 35	P02200828013
1772461112013	9005140000631	SB107221
1780035213035	9006000000525, 27, 33	V10000016021
1780105213035	9006030000515	V10400036011
1780125273035	9007010001217	V10400050011
1780135263035	9007020002225, 27	V13700003015
1780434223035	9007020002817	V15000037111
1780905263135	9007020003225, 27	V29900016031
1781275033035	9007060001025, 27	V30400004031
1783025663031	9007441	V31200001031
210417527307	9008079600117	V34000013025
3012002133031	9008120620125, 27	V34000018027
3012002943035	910850604031	V34700000011
3512056623033	91107040085	V43000073035
3512135213035	913670401011	V47100119015
3512166623033	915450301035	V47100120015
3512250713033	940353620121	V55300001021
3512326623033	940600060925, 27	V62200002017, 21
6102065413029	940600690025, 27	X50200015037
6102065673031	940630690025, 27	X50300129037
6102175263029	9994420045533	X50300158037
6102175673031	9994420063031	X50300169037
6102390413025, 27	A01100010121	X50500193031
6102464473029, 31	A0210007409	X53200067137
6102725213035	A05100068013	X53200072037
6103004483025, 27	A05200018013	X54300017037
6104345003125, 27	A10100009021	X54300018037
6109035523017	A13000054021	X54300019037
6109105523017	A1600005705	X60200002043
6109222743217	A1620000505	X60200003143
6109235523017	A30000014111	X60500005043
6990164433023	A31300060011		



Part Description Index

Click The Page Number After Any Part Description To View The Diagram Containing That Part.

B

BAND ASY.....35
 BAR, BARRIER.....33
 BEARING, BALL - 6001.....17
 BEARING, BALL - 6201.....21
 BEARING, BALL 609.....25, 27
 BEARING, BALL 6201.....25, 27
 BEARING, BALL 6900.....25, 27
 BEARING, BALL 6900Z.....25, 27
 BEARING, NEEDLE.....21
 BODY, CARBURETOR.....9
 BOLT 5X12.....31
 BOLT 5X25.....17
 BOLT 5X35.....25, 27
 BOLT 6X40.....31
 BOLT 8X8.....25, 27
 BRACKET, HANDLE - LOWER.....33
 BRACKET, HANDLE - UPPER.....33
 BULB, PURGE.....9
 BUSHING.....19

C

CABLE, THROTTLE.....35
 CAP ASY.....15
 CAP, SPARK PLUG.....19
 CARBURETOR.....7
 CARBURETOR -- RB-K75.....9
 CASE, AIR CLEANER -- BLACK.....7
 CASE, AIR CLEANER -- GRAY.....7
 CHUCK KEY.....43
 CIRCLIP 10.....25, 27
 CIRCLIP 12.....17
 CIRCLIP 22.....25, 27
 CIRCLIP 28.....17
 CIRCLIP 32.....25, 27
 CIRCLIP, PISTON PIN.....21
 CLAMP KIT.....35
 CLIP.....15
 CLIP, STARTER ROPE.....13
 CLUTCH ASY.....17
 COIL, IGNITION.....19
 CONICAL WASHER.....11
 CONNECTOR, CAP.....15
 CONTROL HANDLE KIT.....35
 COUPLER ASY.....31
 COVER, DIAPHRAGM.....9
 COVER, ENGINE.....5
 COVER, SWITCH.....35
 CRANKCASE KIT.....21
 CRANKSHAFT ASY.....21
 CUSHION.....17
 CUTTER, LINE.....23
 CYLINDER.....21

D

DIAPHRAGM, METERING.....9
 DIAPHRAGM, PUMP.....9
 DIAPHRAGM/GASKET KIT.....9
 DOWEL PIN.....17, 21
 DRIVESHAFT - FLEXIBLE.....29, 31
 DRUM.....13
 DRUM, CLUTCH.....17

E

E-RING.....9, 13

F

FAN COVER ASY.....17
 FILTER, AIR.....7
 FILTER, FUEL.....15
 FLANGE, SHIELD.....23
 FLYWHEEL.....19
 FRONT HANDLE ASY.....33

G

GASKET KIT.....39
 GASKET, CAP.....15
 GASKET, CRANKCASE.....21
 GASKET, CYLINDER.....21
 GASKET, EXHAUST.....11
 GASKET, INTAKE.....7
 GASKET, METERING.....9
 GASKET, PUMP.....9
 GEAR HOUSING ASY.....25, 27
 GEAR SET.....25, 27
 GRIP, HANDLE.....33, 35
 GRIP, STARTER.....13
 GROMMET.....15
 GUARD, TOP.....5
 GUIDE, EXHAUST.....11
 GUIDE, ROPE.....13

H

HANDLE, FRONT.....33
 HARNESS RING ASY.....31
 HEX BAR.....43
 HEX KEY.....43
 HOLDER.....17
 HOLDER KIT.....17
 HOUSING, GEAR.....25, 27

I

IGNITION SWITCH ASY.....35
 INSULATOR, INTAKE.....7

K

KNOB.....31
 KNOB, SWITCH.....35

L

LABEL - CAUTION.....29
 LABEL - CAUTION -- HOT.....37
 LABEL - CAUTION -- SPANISH.....31
 LABEL - CHOKE.....37
 LABEL - ECHO.....37
 LABEL - HANDLE LOCATION.....31
 LABEL - MODEL -- SRM-210.....37
 LABEL - MODEL -- SRM-210SB.....37
 LABEL - MODEL -- SRM-210U.....37
 LABEL - MODEL -- SRM-211.....37
 LABEL - MODEL -- SRM-211SB.....37
 LABEL - MODEL -- SRM-211U.....37
 LABEL - PIPE LOCATION.....29, 31
 LABEL - SPARK PLUG -- BPM-8Y.....37
 LABEL - SPARK PLUG -- BPMR-8Y.....37

LATCH ASY.....31
 LEAD, IGNITION.....19
 LEVER, METERING.....9
 LEVER, THROTTLE TRIGGER LOCKOUT.....35
 LID, AIR CLEANER -- BLACK.....7
 LID, AIR CLEANER -- GRAY.....7
 LINER, FLEXIBLE.....29, 31
 LOCKING BAR.....43
 LOCKOUT, THROTTLE TRIGGER.....35

M

MAIN PIPE ASY.....29, 31
 MUFFLER.....11

N

NEEDLE - HIGH SPEED.....9
 NUT 5.....7, 23, 33, 35
 NUT 6.....31

O

OIL SEAL.....21
 OPEN END WRENCH.....43
 O-RING.....9

P

PAS ATTACHMENT HANGER.....31
 PAWL, STARTER.....13
 PIN, METERING LEVER.....9
 PIN, PISTON.....21
 PIPE, FUEL - 3X5X180mm.....15
 PIPE, RETURN - 3X6X80mm.....15
 PIPE, VENT - 3X5X70mm.....15
 PISTON KIT.....21
 PLASTIC SHIELD KIT.....23
 PLATE, ADAPTER - UPPER.....25, 27
 PLATE, CAM.....13
 PLATE, EYE.....11
 PLATE, PREVENT.....7
 PLUG.....9
 PURGE BASE ASY.....9

R

REPAIR KIT.....9
 RETAINER, PURGE BULB.....9
 RING, PISTON.....21
 ROLLER, GUIDE.....9
 ROPE, STARTER - 3X700mm.....13
 ROTOR COVER ASY.....9

S

SCREEN, MUFFLER.....11
 SCREW.....5, 13
 SCREW 3X10.....35
 SCREW 4X10.....11
 SCREW 4X16.....5, 13, 17
 SCREW 4X20.....19
 SCREW 5.....33
 SCREW 5X10.....25, 27
 SCREW 5X14.....35
 SCREW 5X16.....5, 23
 SCREW 5X20.....7, 15, 23
 SCREW 5X22.....21
 SCREW 5X25.....35



Part Description Index (continued)

SCREW 5X28.....21, 35
 SCREW 5X35.....33, 35
 SCREW 5X55.....11
 SCREW 5X65.....7
 SCREW 6X10.....31
 SCREW 6X25.....31
 SCREW, CABLE ADJUST.....9
 SCREW, DIAPHRAGM COVER.....9
 SCREW, METERING LEVER PIN.....9
 SCREW, PURGE BASE ASY.....9
 SCREW, PURGE BULB RETAINER.....9
 SCREW, ROTOR COVER.....9
 SCREW, ROTOR COVER ASY.....9
 SCREW, THROTTLE ADJUST.....9
 SCREWDRIVER.....43
 SHAFT, P.T.O.....25, 27
 SHIELD - PLASTIC.....23
 SHIELD, EXHAUST.....11
 SHIELD, INTAKE.....7
 SHIM WASHER.....25, 27
 SHORT BLOCK.....21
 SOCKET WRENCH.....43
 SOCKET WRENCH/SCREWDRIVER.....43
 SPACER, PISTON PIN.....21
 SPARK PLUG -- BPM-8Y.....19
 SPARK PLUG -- BPMR-8Y.....19
 SPRING, DAMPER.....13
 SPRING, METERING LEVER.....9
 SPRING, PAWL RETURN.....13
 SPRING, REWIND.....13
 SPRING, THROTTLE LOCKOUT.....35
 SPRING, THROTTLE RETURN.....35
 STARTER ASY.....13
 STARTER PAWL ASY.....13
 STOPPER.....29, 31
 STRAINER.....9
 SWIVEL.....9

T

TANK, FUEL.....15
 TERMINAL, SPARK PLUG CAP.....19
 TORX KEY.....43
 TRIGGER, THROTTLE.....35
 TUBE, INSULATOR.....19
 TUBE, VINYL.....35
 TUNE-UP KIT.....41

V

VALVE, INLET NEEDLE.....9
 VENT ASY.....15

W

WASHER.....25, 27, 31
 WASHER 5.....15, 25, 27, 33
 WING BOLT.....7

NOTES



ECHO, INCORPORATED

400 Oakwood Road
Lake Zurich, IL 60047 USA

WWW.ECHO-USA.COM
