



OPTIONAL ATTACHMENTS & ACCESSORIES

Accessories

35130454230	U-Handle Kit
99944200200	SRM Shoulder Harness Kit
99944200411	20mm Blade Conversion Kit
99944200415	Universal Blade Conversion Kit
99944200455	Barrier Bar
99944200521	U-Handle_Blade Conversion Combo Kit
99944200630	Attachment Hanger Kit

Attachments

99944200470	Edger Attachment
99944200480	Hedge Clipper Attachment
99944200485	Hedge Clipper Attachment
99944200510	Cultivator Attachment
99944200530	Power Pruner Attachment
99944200535	3 Foot Extension
99944200540	Grass Trimmer Attachment
99944200550	ProSweep Attachment
99944200560	ProThatch Attachment
99944200595	Articulating Hedge Clipper Attachment
99944200600	80 Tooth Blade Trimmer Attachment
99944200610	Rapid Loader Trimmer Attachment
99944200620	Pro Paddle
99944200630	Attachment Hanger Kit

PARTS CATALOG

PAS-230 Pro

Attachment Series

22.8cc

SERIAL NUMBERS

S/N: 05001001 - 05999999

ECHO, INCORPORATED

400 Oakwood Road Lake Zurich, Illinois 60047 USA

WWW.ECHO-USA.COM



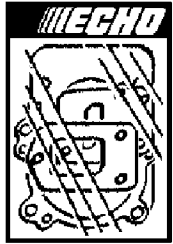
Table of Contents

Click Any Diagram Description Below To View That Diagram.

PAS-230 S/N: 05001001 - 05999999

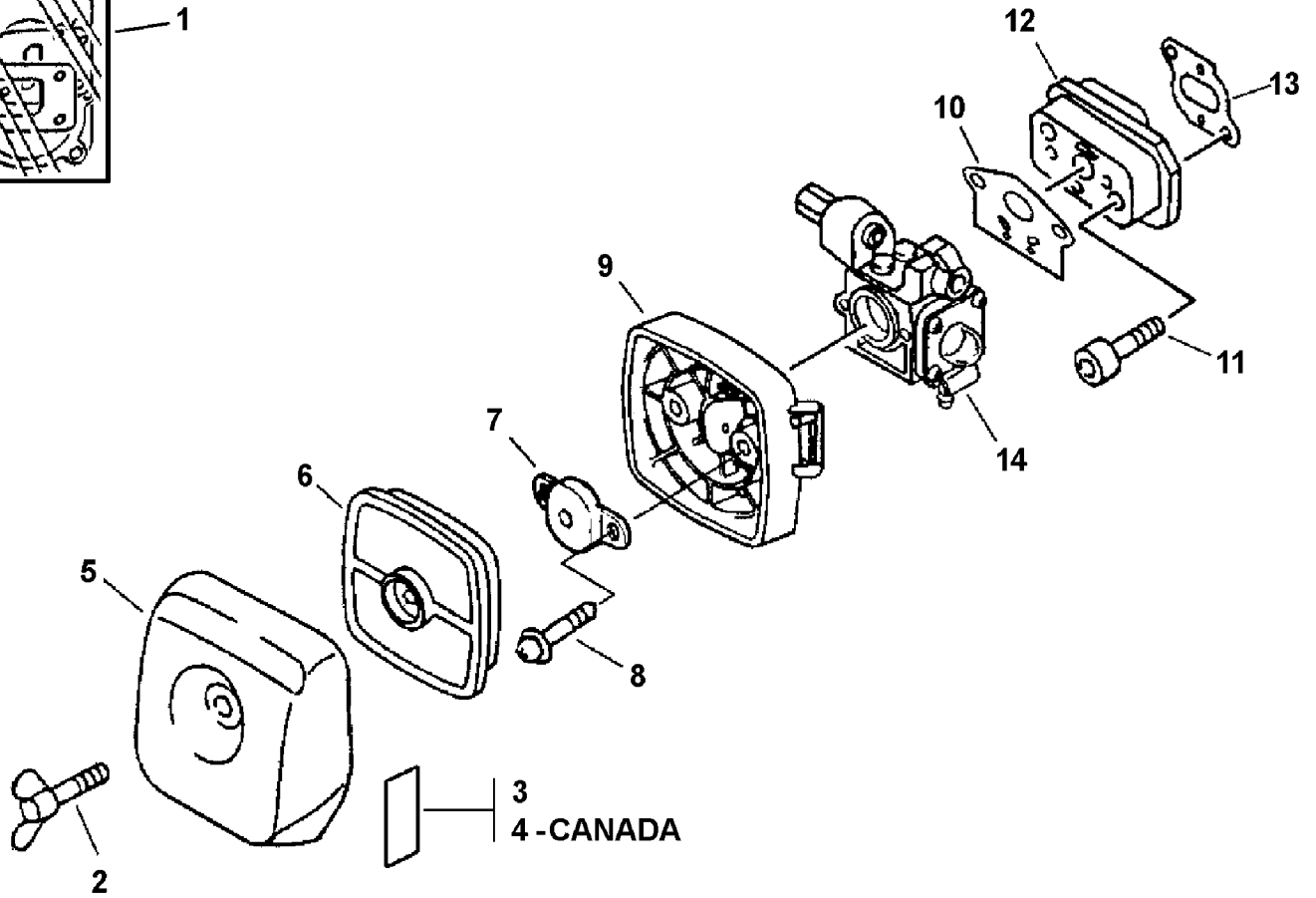
Intake.....	4
Carburetor -- RB-K66 S/N: 05001001 - 05001953.....	6
Carburetor -- RB-K66 S/N: 05001954 - 05003915.....	8
Carburetor -- RB-K66B S/N: 05003916 - 05010252.....	10
Carburetor -- RB-K70 S/N: 05010253 - 05999999.....	12
Exhaust.....	14
Starter, Fuel System.....	16
Fancase, Clutch.....	18
Engine, Short Block, Ignition, Cylinder Cover.....	20
Main Pipe Assembly, Flexible Driveshaft, Coupler -- Upper.....	22
Front Handle.....	24
Control Handle, Throttle Cable, Ignition Switch.....	26
Part Number Index.....	28
Part Description Index.....	29

This Page Intentionally Left Blank



GASKETKIT

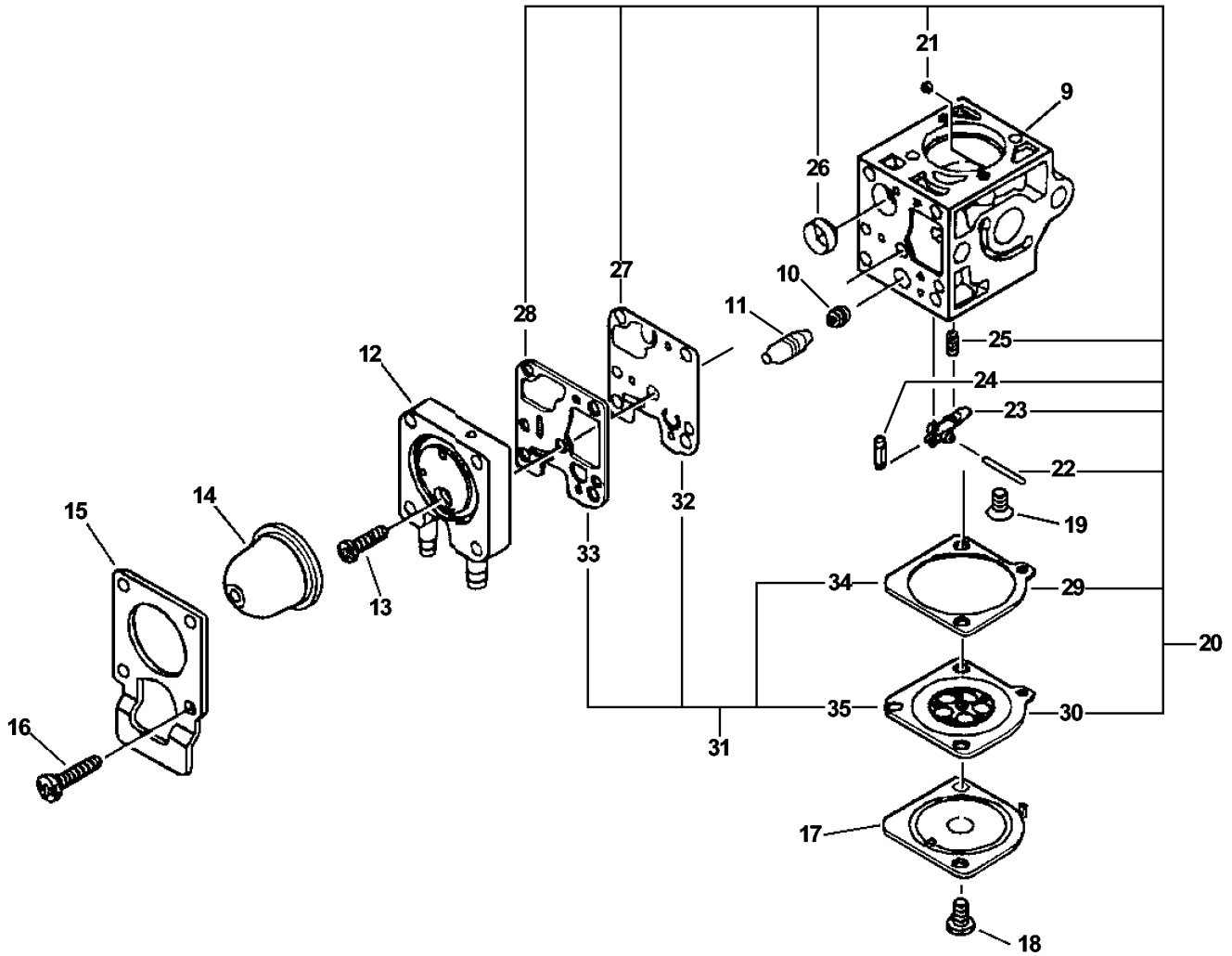
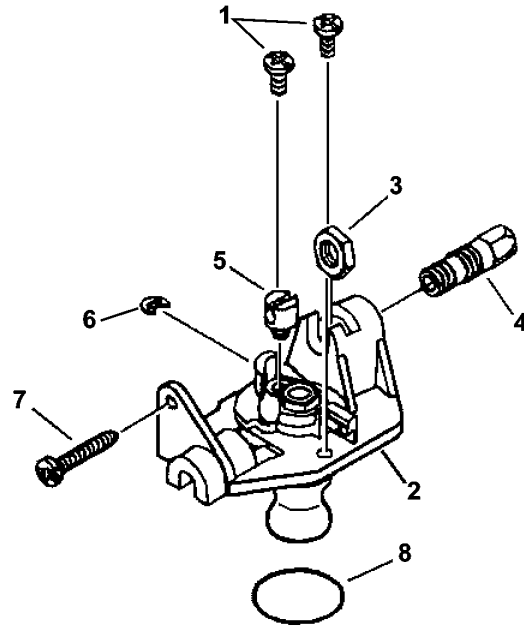
1



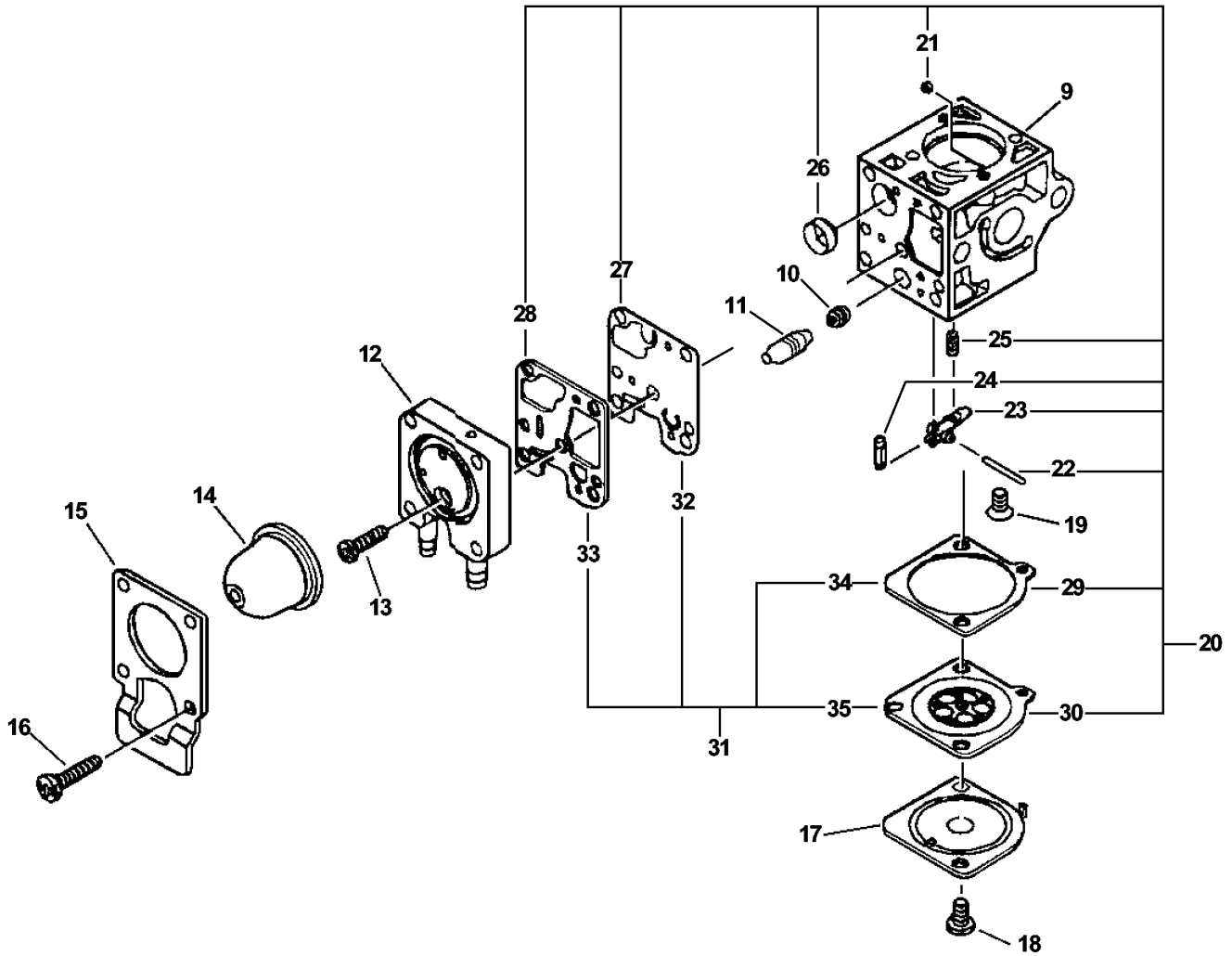
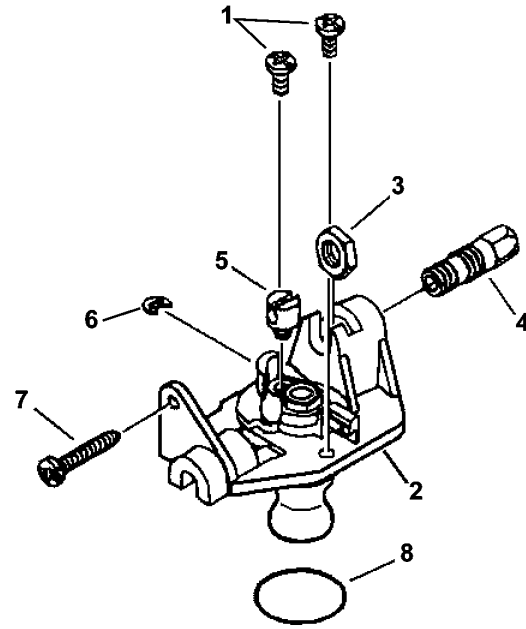
ITEM	PART NUMBER	QTY	DESCRIPTION	REMARKS
1	P021003900	1	GASKET KIT	
2	21041752730	1	WING BOLT	
3	89012152730	1	LABEL - CHOKE	
4	89033252730	1	LABEL - CHOKE	CANADA MODELS
5	13031306563	1	LID, AIR CLEANER - GRAY	
6	13031054130	1	FILTER, AIR	
7	12901152730	1	PLATE, PREVENT	
8	90024205060	2	SCREW 5X60	
9	P021000991	1	CASE, AIR CLEANER - GRAY	
10	13001013410	1	GASKET, INTAKE ¹	
11	90016205025	2	SCREW 5X25	
12	13001756431	1	INSULATOR	
13	13001055930	1	GASKET, INTAKE ¹	
14	-----	1	CARBURETOR	See Carburetor Diagrams For Additional Information

Footnotes

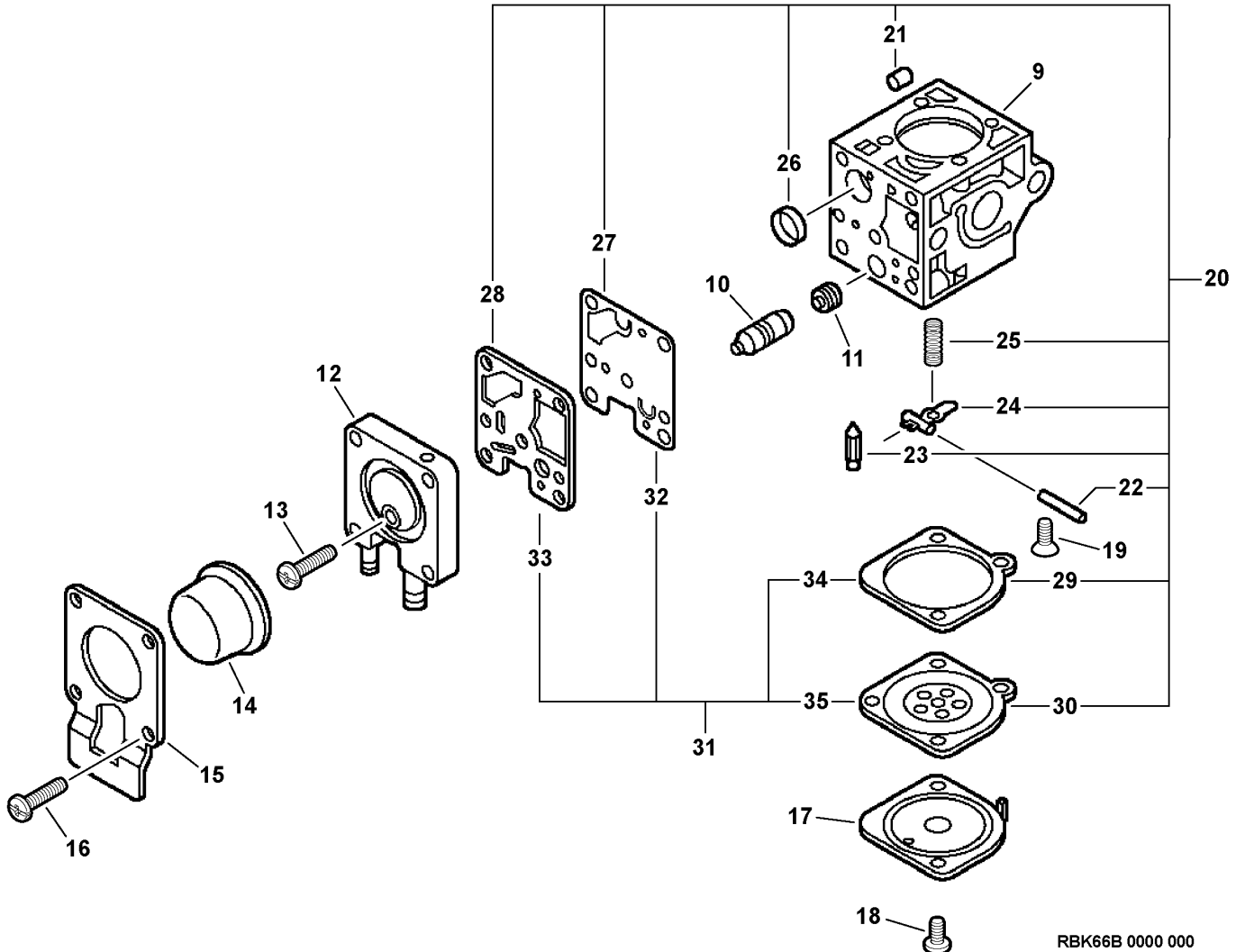
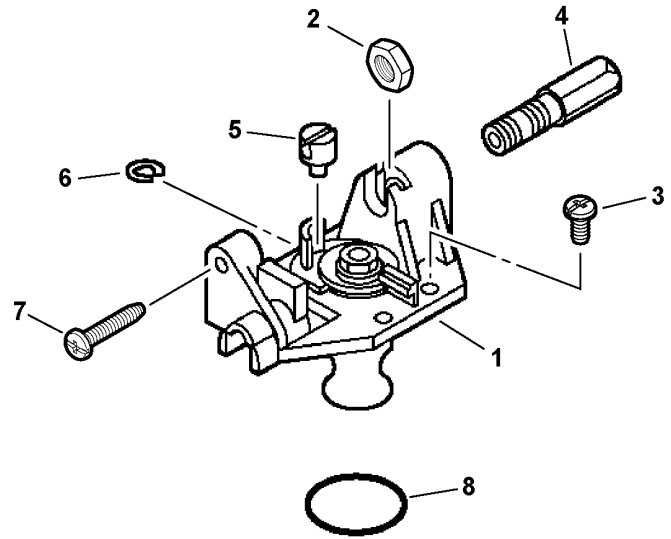
¹: Also Included In GASKET KIT



ITEM	PART NUMBER	QTY	DESCRIPTION	REMARKS
	A021000380	1	CARBURETOR -- RB-K66	
1	12534413931	3	SCREW, ROTOR COVER ASY	
2	P005000690	1	ROTOR COVER ASY	
3	P005000120	1	NUT, CABLE	
4	P005000700	1	SCREW, CABLE ADJUST	
5	P005000180	1	SWIVEL	
6	P005000190	1	E-RING	
7	P005000100	1	SCREW, THROTTLE ADJUST	
8	P005000280	1	O-RING	
9	-----	1	BODY, CARBURETOR	NOT AVAILABLE SEPARATELY
10	P005000570	1	JET	
11	P005000370	1	PLUG KIT	
12	P005000530	1	PURGE BASE ASY	
13	P005000270	1	SCREW, PURGE BASE ASY	
14	12538108660	1	BULB, PURGE	
15	P005000250	1	RETAINER, PURGE BULB	
16	12531061830	4	SCREW, PURGE BULB RETAINER	
17	12534252130	1	COVER, DIAPHRAGM	
18	12534452130	2	SCREW, DIAPHRAGM COVER	
19	12533942030	1	SCREW, METERING LEVER PIN	
20	P005000560	1	REPAIR KIT	
21	P005000290	1	ROLLER, GUIDE	
22	-----	1	PIN, METERING LEVER	
23	-----	1	LEVER, METERING	
24	-----	1	VALVE, INLET NEEDLE	
25	-----	1	SPRING, METERING LEVER	
26	-----	1	STRAINER	
27	-----	1	DIAPHRAGM, PUMP	
28	-----	1	GASKET, PUMP	
29	-----	1	GASKET, METERING	
30	-----	1	DIAPHRAGM, METERING	
31	P005000550	1	DIAPHRAGM/GASKET KIT	INCLUDES ITEMS 32-35
32	-----	1	DIAPHRAGM, PUMP	
33	-----	1	GASKET, PUMP	
34	-----	1	GASKET, METERING	
35	-----	1	DIAPHRAGM, METERING	

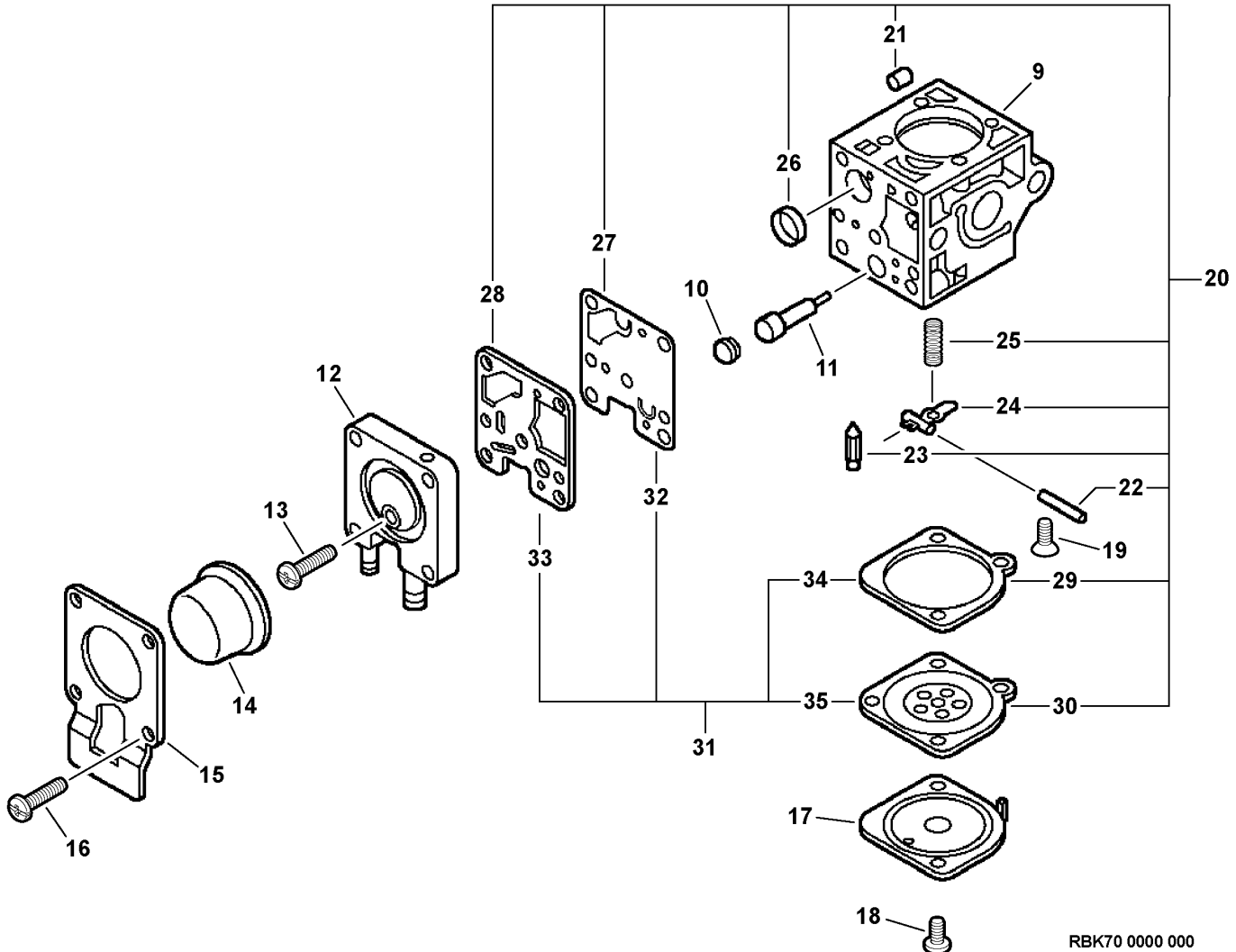
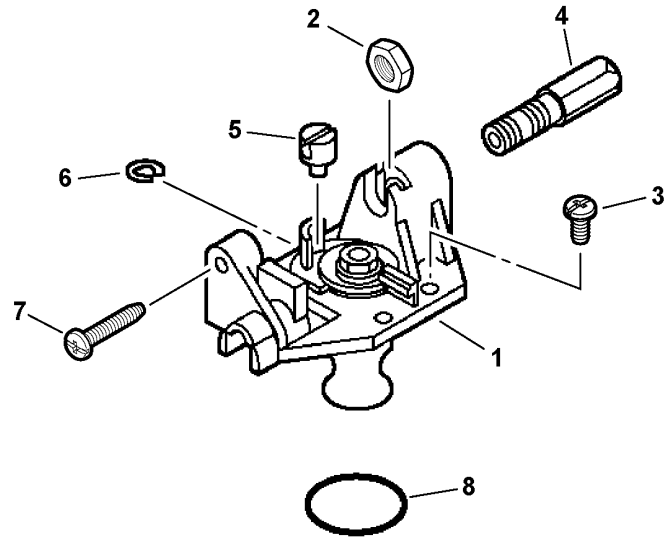


ITEM	PART NUMBER	QTY	DESCRIPTION	REMARKS
	A021000380	1	CARBURETOR -- RB-K66	
1	12534413931	3	SCREW, ROTOR COVER ASY	
2	P005000690	1	ROTOR COVER ASY	
3	P005000120	1	NUT, CABLE	
4	P005000700	1	SCREW, CABLE ADJUST	
5	P005000180	1	SWIVEL	
6	P005000190	1	E-RING	
7	P005000100	1	SCREW, THROTTLE ADJUST	
8	P005000280	1	O-RING	
9	-----	1	BODY, CARBURETOR	NOT AVAILABLE SEPARATELY
10	P005000570	1	JET	
11	P005000370	1	PLUG KIT	
12	P005000530	1	PURGE BASE ASY	
13	P005000270	1	SCREW, PURGE BASE ASY	
14	12538108660	1	BULB, PURGE	
15	P005000250	1	RETAINER, PURGE BULB	
16	12531061830	4	SCREW, PURGE BULB RETAINER	
17	12534252130	1	COVER, DIAPHRAGM	
18	12534452130	2	SCREW, DIAPHRAGM COVER	
19	12533942030	1	SCREW, METERING LEVER PIN	
20	P005000950	1	REPAIR KIT	
21	P005001000	1	ROLLER, GUIDE	
22	-----	1	PIN, METERING LEVER	
23	-----	1	LEVER, METERING	
24	-----	1	VALVE, INLET NEEDLE	
25	-----	1	SPRING, METERING LEVER	
26	-----	1	STRAINER	
27	-----	1	DIAPHRAGM, PUMP	
28	-----	1	GASKET, PUMP	
29	-----	1	GASKET, METERING	
30	-----	1	DIAPHRAGM, METERING	
31	P005000550	1	DIAPHRAGM/GASKET KIT	INCLUDES ITEMS 32-35
32	-----	1	DIAPHRAGM, PUMP	
33	-----	1	GASKET, PUMP	
34	-----	1	GASKET, METERING	
35	-----	1	DIAPHRAGM, METERING	



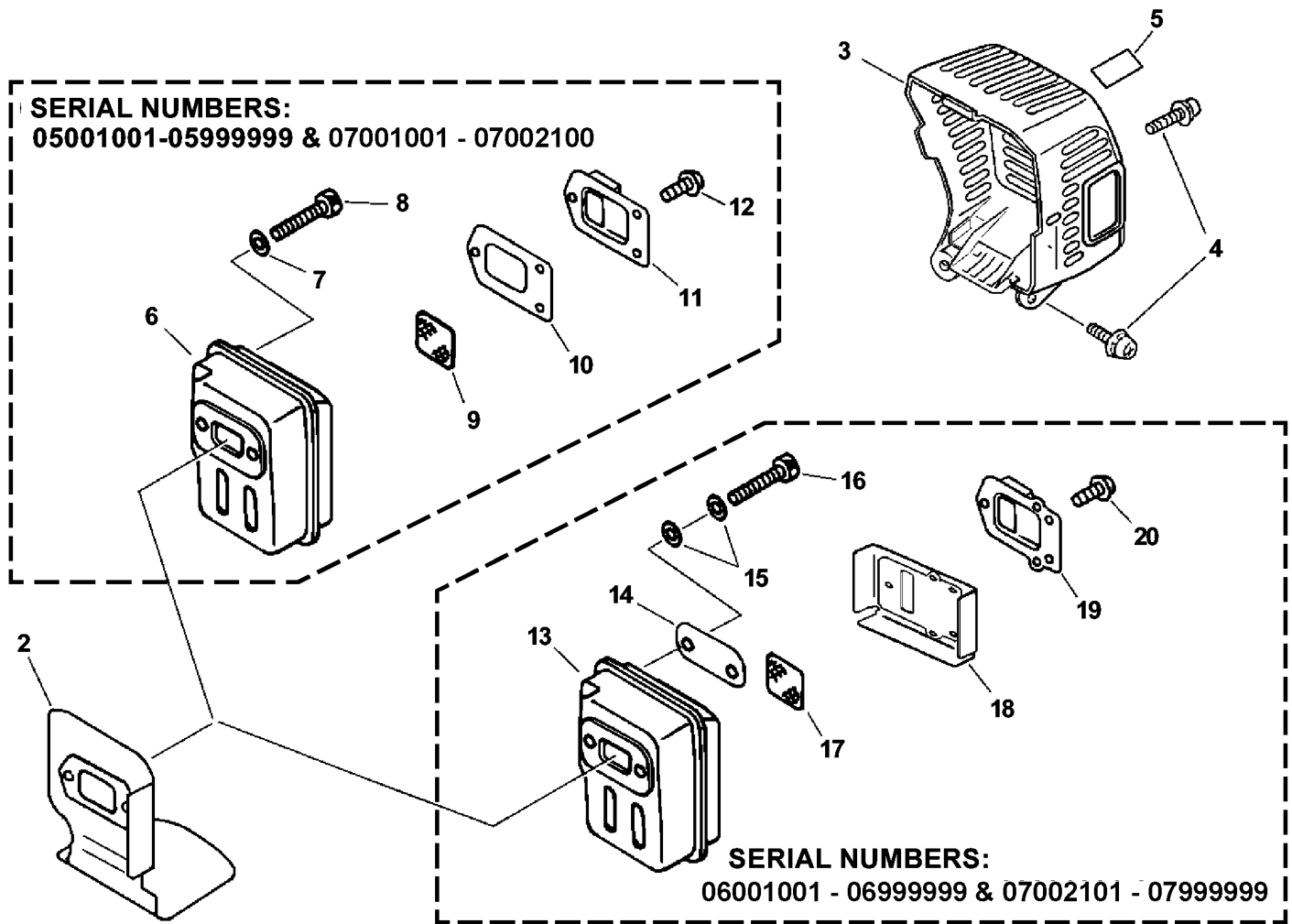
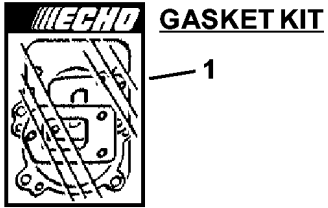
RBK66B 0000 000

ITEM	PART NUMBER	QTY	DESCRIPTION	REMARKS
	A021000382	1	CARBURETOR -- RB-K66B	
1	P005000690	1	ROTOR COVER ASY	
2	P005000120	1	NUT, CABLE	
3	12534413931	3	SCREW, ROTOR COVER ASY	
4	P005000700	1	SCREW, CABLE ADJUST	
5	P005000180	1	SWIVEL	
6	P005000190	1	E-RING	
7	P005000100	1	SCREW, THROTTLE ADJUST	
8	P005000280	1	O-RING	
9	-----	1	BODY, CARBURETOR	NOT AVAILABLE SEPARATELY
10	P005000370	1	PLUG KIT	
11	P005000570	1	JET	
12	P005000930	1	PURGE BASE ASY	
13	P005000270	1	SCREW, PURGE BASE ASY	
14	12538108660	1	BULB, PURGE	
15	P005000250	1	RETAINER, PURGE BULB	
16	12531061830	4	SCREW, PURGE BULB RETAINER	
17	12534252130	1	COVER, DIAPHRAGM	
18	12534452130	2	SCREW, DIAPHRAGM COVER	
19	12533942030	1	SCREW, METERING LEVER PIN	
20	P005000950	1	REPAIR KIT	INCLUDES ITEMS 21-30
21	P005001000	1	ROLLER, GUIDE	
22	-----	1	PIN, METERING LEVER	
23	-----	1	VALVE, INLET NEEDLE	
24	-----	1	LEVER, METERING	
25	-----	1	SPRING, METERING LEVER	
26	-----	1	STRAINER	
27	-----	1	DIAPHRAGM, PUMP	
28	-----	1	GASKET, PUMP	
29	-----	1	GASKET, METERING	
30	-----	1	DIAPHRAGM, METERING	
31	P005000550	1	DIAPHRAGM/GASKET KIT	INCLUDES ITEMS 32-35
32	-----	1	DIAPHRAGM, PUMP	
33	-----	1	GASKET, PUMP	
34	-----	1	GASKET, METERING	
35	-----	1	DIAPHRAGM, METERING	



RBK70 0000 000

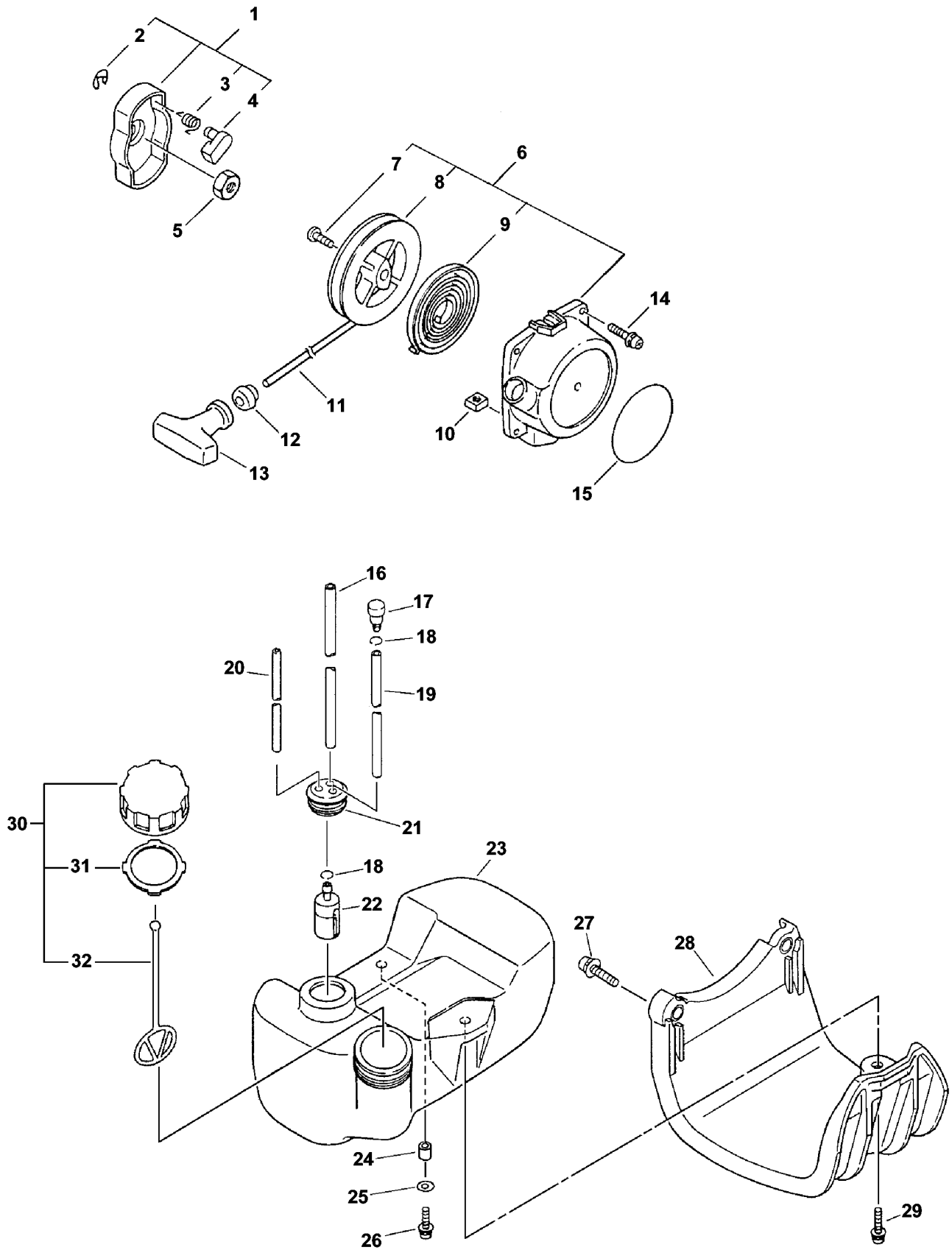
ITEM	PART NUMBER	QTY	DESCRIPTION	REMARKS
	A021000720	1	CARBURETOR -- RB-K70	
1	P005001230	1	ROTOR COVER ASY	
2	P005000120	1	NUT, CABLE	
3	12534413931	3	SCREW, ROTOR COVER ASY	
4	P005000700	1	SCREW, CABLE ADJUST	
5	P005001240	1	SWIVEL	
6	P005000190	1	E-RING	
7	P005000100	1	SCREW, THROTTLE ADJUST	
8	P005000280	1	O-RING	
9	-----	1	BODY, CARBURETOR	NOT AVAILABLE SEPARATELY
10	P005001270	1	PLUG	
11	P005001260	1	NEEDLE - HIGH SPEED	
12	P005000930	1	PURGE BASE ASY	
13	P005000270	1	SCREW, PURGE BASE ASY	
14	12538108660	1	BULB, PURGE	
15	P005000250	1	RETAINER, PURGE BULB	
16	12531061830	4	SCREW, PURGE BULB RETAINER	
17	12534252130	1	COVER, DIAPHRAGM	
18	12534452130	2	SCREW, DIAPHRAGM COVER	
19	12533942030	1	SCREW, METERING LEVER PIN	
20	P005000950	1	REPAIR KIT	INCLUDES ITEMS 21-30
21	P005001000	1	ROLLER, GUIDE	
22	-----	1	PIN, METERING LEVER	
23	-----	1	VALVE, INLET NEEDLE	
24	-----	1	LEVER, METERING	
25	-----	1	SPRING	
26	-----	1	STRAINER	
27	-----	1	DIAPHRAGM, PUMP	
28	-----	1	GASKET, PUMP	
29	-----	1	GASKET, METERING	
30	-----	1	DIAPHRAGM, METERING	
31	P005000550	1	DIAPHRAGM/GASKET KIT	INCLUDES ITEMS 32-35
32	-----	1	DIAPHRAGM, PUMP	
33	-----	1	GASKET, PUMP	
34	-----	1	GASKET, METERING	
35	-----	1	DIAPHRAGM, METERING	



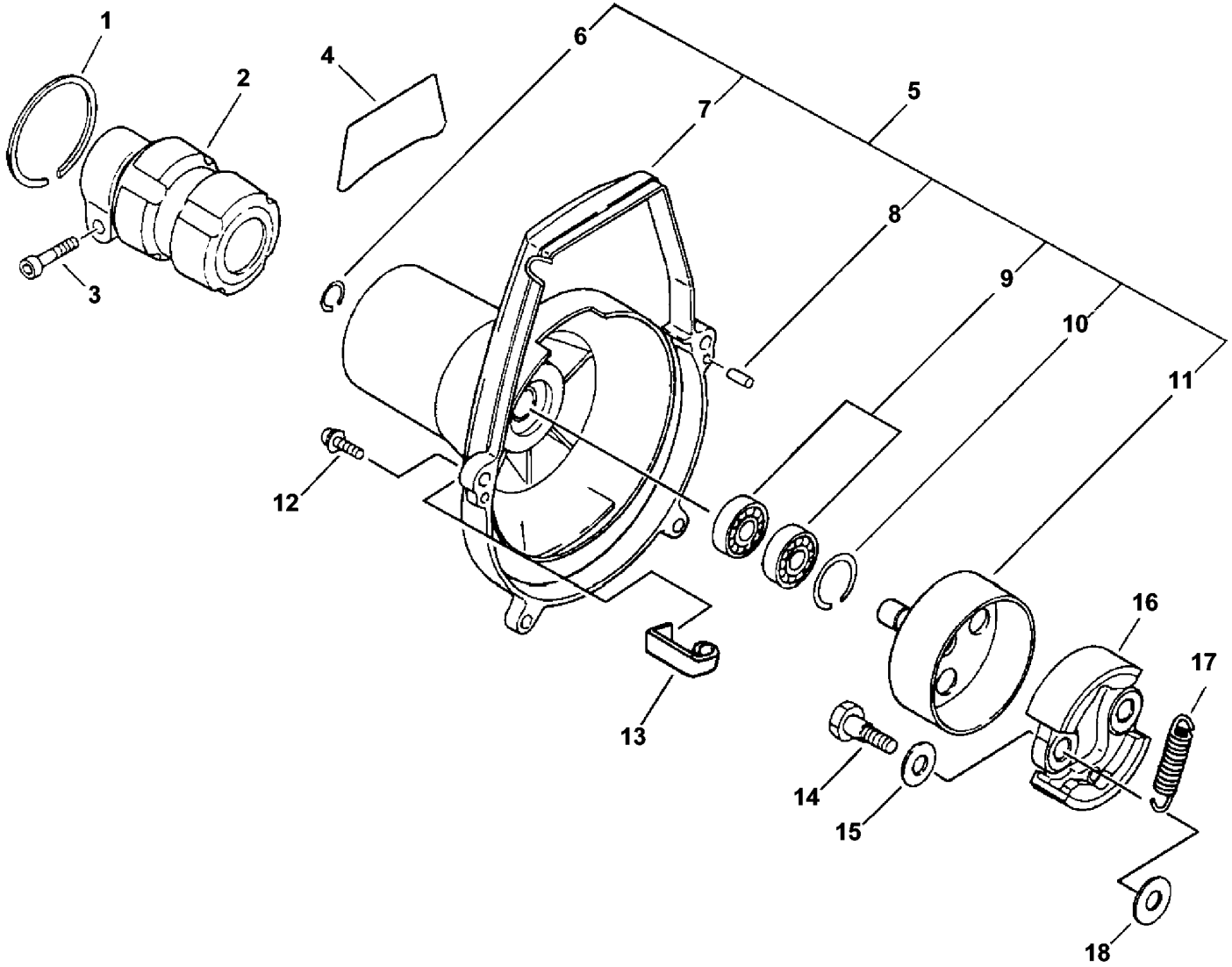
ITEM	PART NUMBER	QTY	DESCRIPTION	REMARKS
1	P021003900	1	GASKET KIT	
2	V104000061	1	SHIELD, EXHAUST ¹	
3	A320000001	1	COVER, MUFFLER	
4	90010605012	2	SCREW 5X12	
5	89016006361	1	LABEL - CAUTION -- HOT	
6	14580642030	1	MUFFLER	
7	90060000005	2	WASHER	
8	90010505055	2	SCREW 5X55	
9	14586240630	1	SCREEN, MUFFLER	
10	14586642031	1	GASKET, EXHAUST ¹	
11	A313000350	1	GUIDE, EXHAUST	
12	90024204010	3	SCREW 4X10	
13	A300000141	1	MUFFLER	
14	V150000371	1	PLATE, EYE	
15	V347000000	4	CONICAL WASHER	
16	90010505055	2	SCREW 5X55	
17	14586240630	1	SCREEN, MUFFLER	
18	V104000360	1	GASKET, EXHAUST ¹	
19	A313000130	1	GUIDE, EXHAUST	
20	9136704010	5	SCREW 4X10	

Footnotes

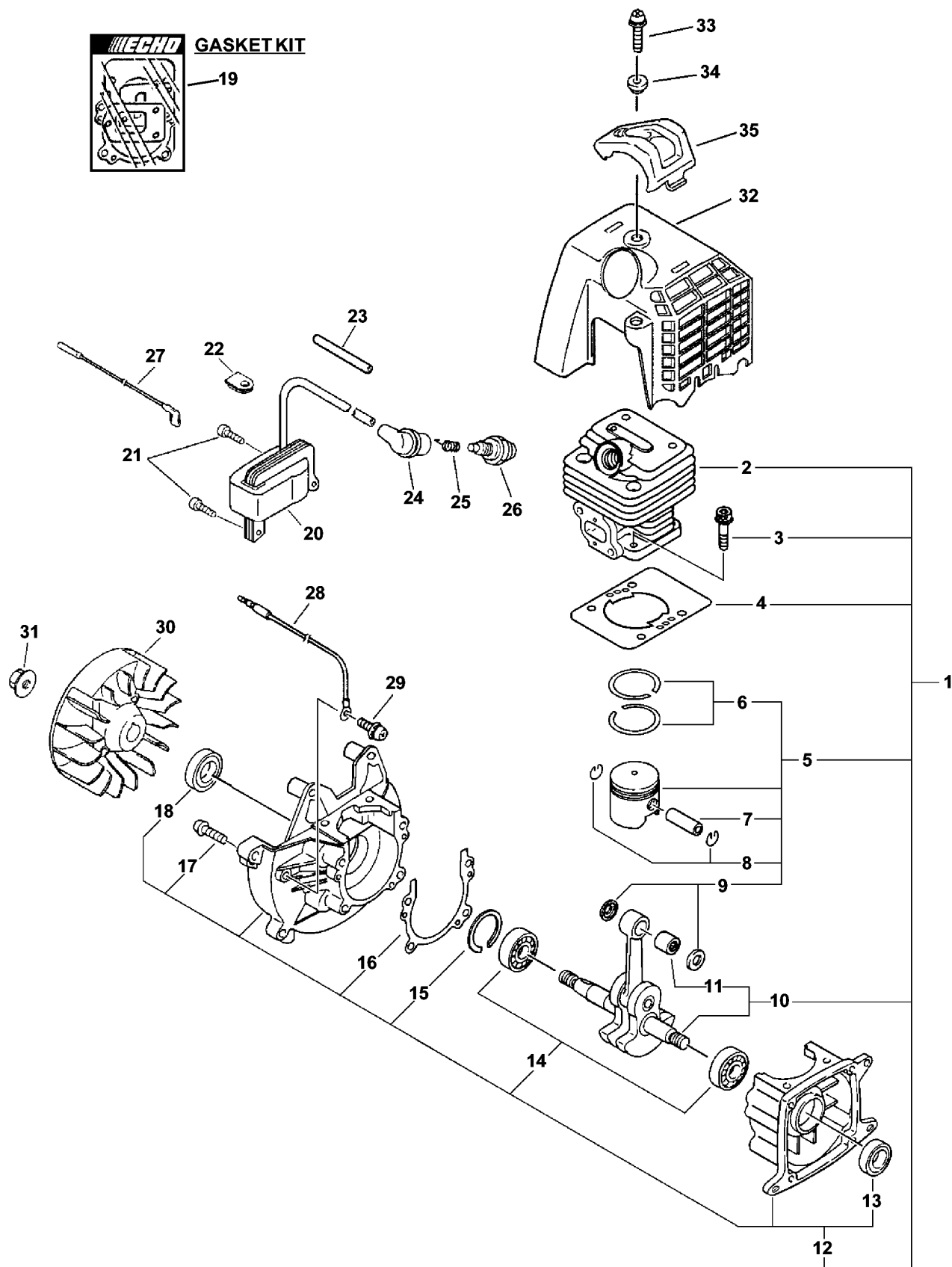
¹: Also Included In GASKET KIT



ITEM	PART NUMBER	QTY	DESCRIPTION	REMARKS
1	A052000030	1	STARTER PAWL ASY	INCLUDES ITEMS 2-4
2	90070000004	1	E-RING 4	
3	17723440630	1	SPRING, RETURN	
4	17721840630	1	PAWL, STARTER	
5	90050200008	1	NUT 8	
6	17720055931	1	STARTER ASY	INCLUDES ITEMS 7-13
7	17723644330	1	SCREW	
8	17721540630	1	DRUM, STARTER	
9	17722040630	1	SPRING, REWIND	
10	90056500005	1	NUT	
11	17722603930	1	ROPE, STARTER - 3.5X850mm	REPOWER BULK OPTION: 99944445000
12	17722742030	1	GUIDE, ROPE	
13	17722827030	1	GRIP, STARTER	
14	9112604012	4	BOLT 4X12	
15	89011849130	1	LABEL, ECHO	
16	13201038331	1	PIPE, FUEL - SPIRAL	
17	A356000030	1	VENT ASY	
18	13201326630	2	CLIP	
19	V471000110	1	PIPE, VENT - 3X6X115mm	REPOWER BULK OPTION: 90015
20	13201256030	1	PIPE, RETURN - 3X6X80mm	REPOWER BULK OPTION: 90017
21	13211555930	1	GROMMET, FUEL	
22	13120519830	1	FILTER, FUEL	
23	13100555931	1	TANK, FUEL	INCLUDES ITEM 24
24	13104528230	2	SPACER	
25	90060300005	2	WASHER 5	
26	90016205016	2	SCREW 5X16	
27	90016205022	2	SCREW 5X22	
28	30511057733	1	STAND	
29	90024405020	1	SCREW 5X20	
30	13100455530	1	CAP ASY	INCLUDES ITEM 31-32
31	13101655830	1	GASKET, CAP	
32	13105156030	1	CONNECTOR, CAP	



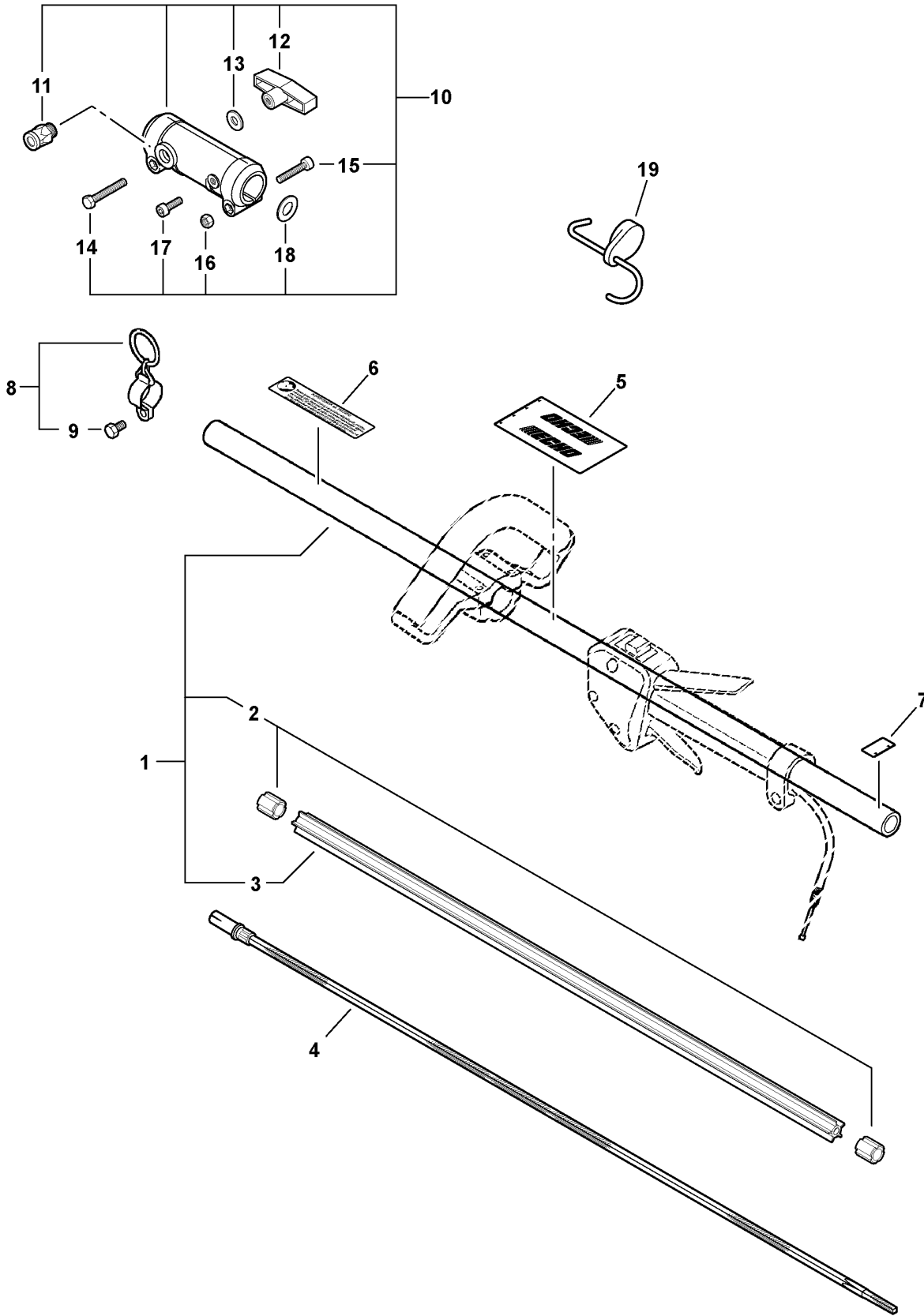
ITEM	PART NUMBER	QTY	DESCRIPTION	REMARKS
1	90070200042	1	CIRCLIP 42	
2	61092255931	1	FIXTURE, MAIN PIPE	
3	90016205028	1	SCREW 5X28	
4	X503003360	1	LABEL - MODEL -- PAS-230	
4	X503001640	1	LABEL - MODEL - PAS-231	
5	P021001410	1	FAN COVER ASY - GRAY	INCLUDES ITEMS 6-11
6	90070100012	1	CIRCLIP 12	
7	A172000030	1	CASE, FAN - GRAY	
8	V622000020	2	DOWEL PIN - 4X7.8mm	
9	90080796001	2	BEARING, BALL - 6001	
10	90070200028	1	CIRCLIP 28	
11	A556000030	1	DRUM, CLUTCH	
12	90016205018	2	SCREW 5X18	
13	17811106230	1	CLIP	
14	17504656030	2	SHAFT, CLUTCH	
15	17504956030	2	WASHER	
16	A553000010	2	SHOE, CLUTCH	
17	V451000090	1	TENSION SPRING	
18	17504805530	2	WASHER	



ITEM	PART NUMBER	QTY	DESCRIPTION	REMARKS
1	SB1061	1	SHORT BLOCK	INCLUDES ITEMS 2-18
2	A130000341	1	CYLINDER	
3	90016205022	4	SCREW 5X22	
4	V100000060	1	GASKET, CYLINDER ¹	
5	P021001101	1	PISTON KIT	INCLUDES ITEMS 6-9
6	A101000000	2	RING, PISTON	
7	10001311520	1	PIN, PISTON	
8	10001504630	2	CIRCLIP, PISTON PIN	
9	10001411520	2	SPACER, PISTON PIN	
10	A011000042	1	CRANKSHAFT ASY	INCLUDES ITEM 11
11	V553000010	1	BEARING, NEEDLE	
12	P021000940	1	CRANKCASE KIT	INCLUDES ITEMS 13-18
13	10021305530	1	OIL SEAL	
14	90080036001	2	BEARING, BALL 6001	
15	90070200028	1	CIRCLIP 28	
16	10024255930	1	GASKET, CRANKCASE ¹	
17	90016205025	4	SCREW 5X25	
18	10021228230	1	OIL SEAL	
19	P021003900	1	GASKET KIT	
20	A411000110	1	COIL, IGNITION	
21	90016205016	2	SCREW 5X16	
22	15611240630	1	GROMMET	
23	V475002200	1	TUBE, INSULATOR	
24	15901203433	1	CAP, SPARK PLUG	
25	15901103432	1	TERMINAL, SPARK PLUG CAP	
26	15901019830	1	SPARK PLUG -- BPM-8Y	
26	BPMR-8A	1	PLUG, SPARK	CANADA MODELS
27	16201056430	1	LEAD, IGNITION	
28	16201452930	1	LEAD, GROUND	
29	90024205010	1	SCREW 5X10	
30	A409000130	1	FLYWHEEL	
31	90051500008	1	FLANGE NUT 8	
32	A160000040	1	COVER, ENGINE	
33	9111005016	1	SCREW 5X16	
34	V353000020	1	COLLAR 5	
35	A162000000	1	GUARD, TOP	

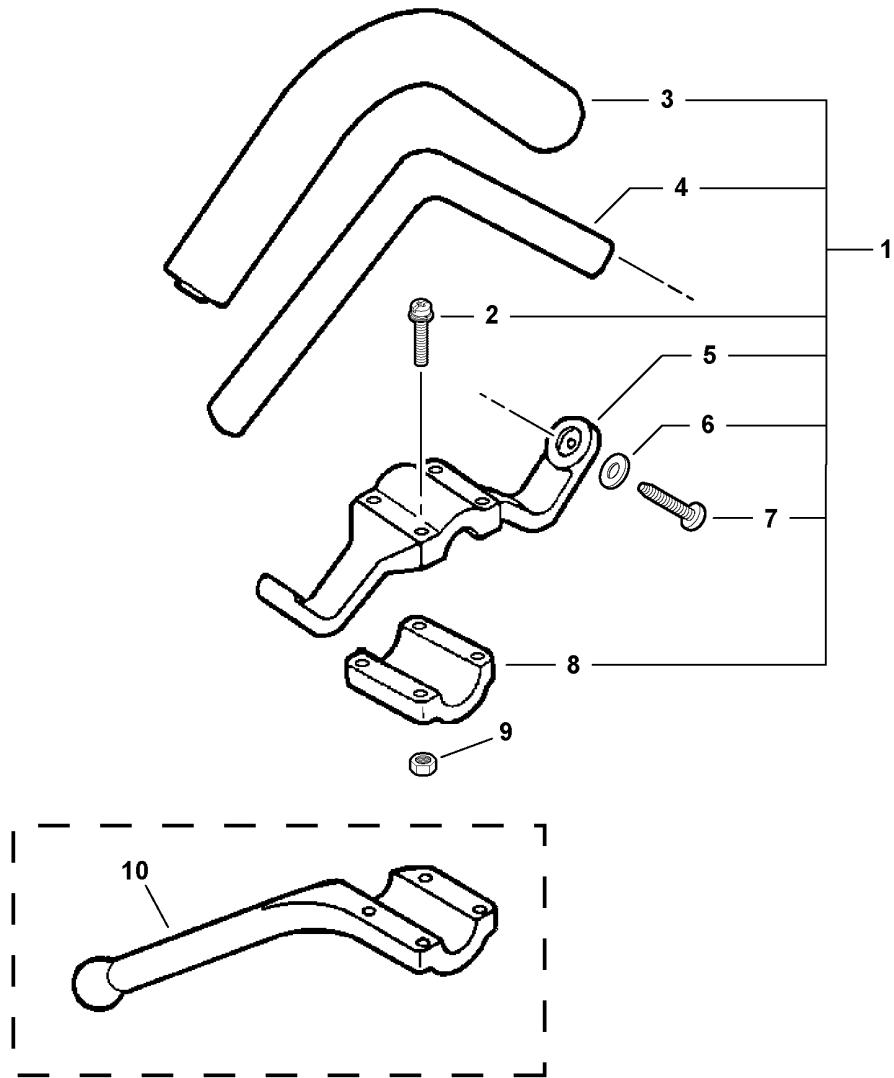
Footnotes

1: Also Included In GASKET KIT



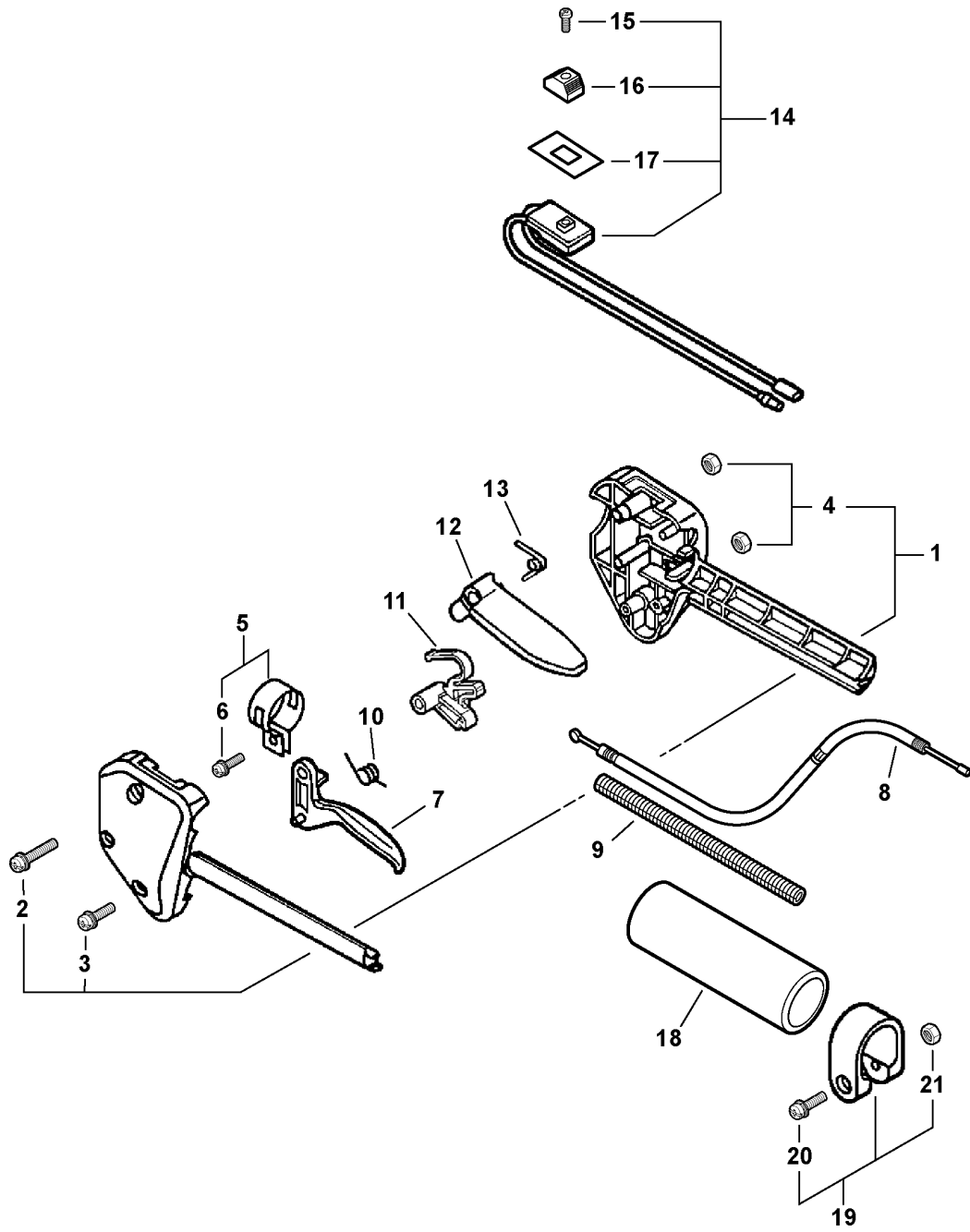
031 0008 000

ITEM	PART NUMBER	QTY	DESCRIPTION	REMARKS
1	61020656730	1	MAIN PIPE ASY	INCLUDES ITEMS 2-3
2	61024644730	2	STOPPER	
3	C507000230	1	LINER, FLEXIBLE	
4	C506000042	1	DRIVESHAFT - FLEXIBLE	
5	X505001930	1	LABEL - HANDLE LOCATION	
6	89022809560	1	LABEL - CAUTION -- SPANISH	
7	89015204930	1	LABEL - PIPE LOCATION	
8	C646000060	1	HARNESS HANGER KIT	
9	90010005012	1	BOLT 5X12	
10	P021004350	1	COUPLER ASY	INCLUDES ITEMS 11-18
11	17830256630	1	LATCH ASY	
12	V299000160	1	KNOB	
13	V304000040	1	WASHER	
14	9108506040	1	BOLT 6X40	
15	90010506025	1	SCREW 6X25	
16	90051400006	1	NUT 6	
17	90010506010	1	SCREW 6X10	
18	V312000010	1	WASHER	



030 0008 000

ITEM	PART NUMBER	QTY	DESCRIPTION	REMARKS
1	P021000021	1	FRONT HANDLE ASY	INCLUDES ITEMS 2-9
2	90024205035	4	SCREW 5X35	
3	35121666230	1	GRIP, HANDLE	
4	35120566230	1	HANDLE, FRONT	
5	35123266230	1	BRACKET, HANDLE - UPPER	
6	90060000005	2	WASHER 5	
7	90025305020	2	TAPPING SCREW 5X20	
8	35122507130	1	BRACKET, HANDLE - LOWER	
9	90050000005	4	NUT 5	
10	99944200455	1	BAR, BARRIER	



030 0017 000

ITEM	PART NUMBER	QTY	DESCRIPTION	REMARKS
1	17800352130	1	CONTROL HANDLE KIT	INCLUDES ITEMS 2-4
2	90024205035	1	SCREW 5X35	
3	90024205025	1	SCREW 5X25	
4	90050000005	2	NUT 5	
5	30120029430	1	BAND ASY	INCLUDES ITEM 6
6	90024205014	1	SCREW 5X14	
7	17801052130	1	TRIGGER, THROTTLE	
8	V430000730	1	CABLE, THROTTLE	
9	V475000850	1	COVER - CORRUGATED	
10	17804342230	1	SPRING, THROTTLE RETURN	
11	17801252730	1	LOCKOUT, THROTTLE	
12	17809052632	1	LEVER, THROTTLE LOCKOUT	
13	17801352630	1	SPRING, THROTTLE LOCKOUT	
14	A440000280	1	IGNITION SWITCH ASY	INCLUDES ITEMS 15-17
15	9154503010	1	SCREW 3X10	
16	16341049231	1	KNOB, SWITCH - ORANGE	
17	89015712330	1	LABEL, SWITCH	
18	35121352130	1	GRIP, HANDLE	
19	61027252130	1	CLAMP KIT	INCLUDES ITEMS 20-21
20	90024205028	1	SCREW 5X28	
21	90050000005	1	NUT 5	



Part Number Index

Click The Page Number After Any Part Number To View The Diagram Containing That Part.

Part Number	Page	Part Number	Page	Part Number	Page
-----	5, 7, 9, 11, 13	89015204930	23	P005000280	7, 9, 11, 13
10001311520	21	89015712330	27	P005000290	7
10001411520	21	89016006361	15	P005000370	7, 9, 11
10001504630	21	89022809560	23	P005000530	7, 9
10021228230	21	89033252730	5	P005000550	7, 9, 11, 13
10021305530	21	90010005012	23	P005000560	7
10024255930	21	90010505055	15	P005000570	7, 9, 11
12531061830	7, 9, 11, 13	90010506010	23	P005000690	7, 9, 11
12533942030	7, 9, 11, 13	90010506025	23	P005000700	7, 9, 11, 13
12534252130	7, 9, 11, 13	90010605012	15	P005000930	11, 13
12534413931	7, 9, 11, 13	90016205016	17, 21	P005000950	9, 11, 13
12534452130	7, 9, 11, 13	90016205018	19	P005001000	9, 11, 13
12538108660	7, 9, 11, 13	90016205022	17, 21	P005001230	13
12901152730	5	90016205025	5, 21	P005001240	13
13001013410	5	90016205028	19	P005001260	13
13001055930	5	90024204010	15	P005001270	13
13001756431	5	90024205010	21	P021000021	25
13031054130	5	90024205014	27	P021000940	21
13031306563	5	90024205025	27	P021000991	5
13100455530	17	90024205028	27	P021001101	21
13100555931	17	90024205035	25, 27	P021001410	19
13101655830	17	90024205060	5	P021003900	5, 15, 21
13104528230	17	90024405020	17	P021004350	23
13105156030	17	90025305020	25	SB1061	21
13120519830	17	90050000005	25, 27	V100000060	21
13201038331	17	90050200008	17	V104000061	15
13201256030	17	90051400006	23	V104000360	15
13201326630	17	90051500008	21	V150000371	15
13211555930	17	90056500005	17	V299000160	23
14580642030	15	90060000005	15, 25	V304000040	23
14586240630	15	90060300005	17	V312000010	23
14586642031	15	90070000004	17	V347000000	15
15611240630	21	90070100012	19	V353000020	21
15901019830	21	90070200028	19, 21	V430000730	27
15901103432	21	90070200042	19	V451000090	19
15901203433	21	90080036001	21	V471000110	17
16201056430	21	90080796001	19	V475000850	27
16201452930	21	9108506040	23	V475002200	21
16341049231	27	9111005016	21	V553000010	21
17504656030	19	9112604012	17	V622000020	19
17504805530	19	9136704010	15	X503001640	19
17504956030	19	9154503010	27	X503003360	19
17720055931	17	99944200455	25	X505001930	23
17721540630	17	A011000042	21		
17721840630	17	A021000380	7, 9		
17722040630	17	A021000382	11		
17722603930	17	A021000720	13		
17722742030	17	A052000030	17		
17722827030	17	A101000000	21		
17723440630	17	A130000341	21		
17723644330	17	A160000040	21		
17800352130	27	A162000000	21		
17801052130	27	A172000030	19		
17801252730	27	A300000141	15		
17801352630	27	A313000130	15		
17804342230	27	A313000350	15		
17809052632	27	A320000001	15		
17811106230	19	A356000030	17		
17830256630	23	A409000130	21		
21041752730	5	A411000110	21		
30120029430	27	A440000280	27		
30511057733	17	A553000010	19		
35120566230	25	A566000030	19		
35121352130	27	BPMR-8A	21		
35121666230	25	C506000042	23		
35122507130	25	C507000230	23		
35123266230	25	C646000060	23		
61020656730	23	P005000100	7, 9, 11, 13		
61024644730	23	P005000120	7, 9, 11, 13		
61027252130	27	P005000180	7, 9, 11		
61092255931	19	P005000190	7, 9, 11, 13		
89011849130	17	P005000250	7, 9, 11, 13		
89012152730	5	P005000270	7, 9, 11, 13		



Part Description Index

Click The Page Number After Any Part Description To View The Diagram Containing That Part.

B

BAND ASY.....27
 BAR, BARRIER.....25
 BEARING, BALL - 6001.....19
 BEARING, BALL 6001.....21
 BEARING, NEEDLE.....21
 BODY, CARBURETOR.....7, 9, 11, 13
 BOLT 4X12.....17
 BOLT 5X12.....23
 BOLT 6X40.....23
 BRACKET, HANDLE - LOWER.....25
 BRACKET, HANDLE - UPPER.....25
 BULB, PURGE.....7, 9, 11, 13

C

CABLE, THROTTLE.....27
 CAP ASY.....17
 CAP, SPARK PLUG.....21
 CARBURETOR.....5
 CARBURETOR -- RB-K66.....7, 9
 CARBURETOR -- RB-K66B.....11
 CARBURETOR -- RB-K70.....13
 CASE, AIR CLEANER - GRAY.....5
 CASE, FAN - GRAY.....19
 CIRCLIP 12.....19
 CIRCLIP 28.....19, 21
 CIRCLIP 42.....19
 CIRCLIP, PISTON PIN.....21
 CLAMP KIT.....27
 CLIP.....17, 19
 COIL, IGNITION.....21
 COLLAR 5.....21
 CONICAL WASHER.....15
 CONNECTOR, CAP.....17
 CONTROL HANDLE KIT.....27
 COUPLER ASY.....23
 COVER - CORRUGATED.....27
 COVER, DIAPHRAGM.....7, 9, 11, 13
 COVER, ENGINE.....21
 COVER, MUFFLER.....15
 CRANKCASE KIT.....21
 CRANKSHAFT ASY.....21
 CYLINDER.....21

D

DIAPHRAGM, METERING.....7, 9, 11, 13
 DIAPHRAGM, PUMP.....7, 9, 11, 13
 DIAPHRAGM/GASKET KIT.....7, 9, 11, 13
 DOWEL PIN - 4X7.8mm.....19
 DRIVESHAFT - FLEXIBLE.....23
 DRUM, CLUTCH.....19
 DRUM, STARTER.....17

E

E-RING.....7, 9, 11, 13
 E-RING 4.....17

F

FAN COVER ASY - GRAY.....19
 FILTER, AIR.....5
 FILTER, FUEL.....17
 FIXTURE, MAIN PIPE.....19
 FLANGE NUT 8.....21

FLYWHEEL.....21
 FRONT HANDLE ASY.....25

G

GASKET KIT.....5, 15, 21
 GASKET, CAP.....17
 GASKET, CRANKCASE.....21
 GASKET, CYLINDER.....21
 GASKET, EXHAUST.....15
 GASKET, INTAKE.....5
 GASKET, METERING.....7, 9, 11, 13
 GASKET, PUMP.....7, 9, 11, 13
 GRIP, HANDLE.....25, 27
 GRIP, STARTER.....17
 GROMMET.....21
 GROMMET, FUEL.....17
 GUARD, TOP.....21
 GUIDE, EXHAUST.....15
 GUIDE, ROPE.....17

H

HANDLE, FRONT.....25
 HARNESS HANGER KIT.....23

I

IGNITION SWITCH ASY.....27
 INSULATOR.....5

J

JET.....7, 9, 11

K

KNOB.....23
 KNOB, SWITCH - ORANGE.....27

L

LABEL - CAUTION -- HOT.....15
 LABEL - CAUTION -- SPANISH.....23
 LABEL - CHOKE.....5
 LABEL - HANDLE LOCATION.....23
 LABEL - MODEL -- PAS-230.....19
 LABEL - MODEL - PAS-231.....19
 LABEL - PIPE LOCATION.....23
 LABEL, ECHO.....17
 LABEL, SWITCH.....27
 LATCH ASY.....23
 LEAD, GROUND.....21
 LEAD, IGNITION.....21
 LEVER, METERING.....7, 9, 11, 13
 LEVER, THROTTLE LOCKOUT.....27
 LID, AIR CLEANER - GRAY.....5
 LINER, FLEXIBLE.....23
 LOCKOUT, THROTTLE.....27

M

MAIN PIPE ASY.....23
 MUFFLER.....15

N

NEEDLE - HIGH SPEED.....13
 NUT.....17
 NUT 5.....25, 27

NUT 6.....23
 NUT 8.....17
 NUT, CABLE.....7, 9, 11, 13

O

OIL SEAL.....21
 O-RING.....7, 9, 11, 13

P

PAWL, STARTER.....17
 PIN, METERING LEVER.....7, 9, 11, 13
 PIN, PISTON.....21
 PIPE, FUEL - SPIRAL.....17
 PIPE, RETURN - 3X6X80mm.....17
 PIPE, VENT - 3X6X115mm.....17
 PISTON KIT.....21
 PLATE, EYE.....15
 PLATE, PREVENT.....5
 PLUG.....13
 PLUG KIT.....7, 9, 11
 PLUG, SPARK.....21
 PURGE BASE ASY.....7, 9, 11, 13

R

REPAIR KIT.....7, 9, 11, 13
 RETAINER, PURGE BULB.....7, 9, 11, 13
 RING, PISTON.....21
 ROLLER, GUIDE.....7, 9, 11, 13
 ROPE, STARTER - 3.5X850mm.....17
 ROTOR COVER ASY.....7, 9, 11, 13

S

SCREEN, MUFFLER.....15
 SCREW.....17
 SCREW 3X10.....27
 SCREW 4X10.....15
 SCREW 5X10.....21
 SCREW 5X12.....15
 SCREW 5X14.....27
 SCREW 5X16.....17, 21
 SCREW 5X18.....19
 SCREW 5X20.....17
 SCREW 5X22.....17, 21
 SCREW 5X25.....5, 21, 27
 SCREW 5X28.....19, 27
 SCREW 5X35.....25, 27
 SCREW 5X55.....15
 SCREW 5X60.....5
 SCREW 6X10.....23
 SCREW 6X25.....23
 SCREW, CABLE ADJUST.....7, 9, 11, 13
 SCREW, DIAPHRAGM COVER.....7, 9, 11, 13
 SCREW, METERING LEVER PIN.....7, 9, 11, 13
 SCREW, PURGE BASE ASY.....7, 9, 11, 13
 SCREW, PURGE BULB RETAINER.....7, 9, 11, 13
 SCREW, ROTOR COVER ASY.....7, 9, 11, 13
 SCREW, THROTTLE ADJUST.....7, 9, 11, 13
 SHAFT, CLUTCH.....19
 SHIELD, EXHAUST.....15
 SHOE, CLUTCH.....19
 SHORT BLOCK.....21
 SPACER.....17
 SPACER, PISTON PIN.....21



Part Description Index (continued)

SPARK PLUG -- BPM-8Y.....21
SPRING.....13
SPRING, METERING LEVER.....7, 9, 11
SPRING, RETURN.....17
SPRING, REWIND.....17
SPRING, THROTTLE LOCKOUT.....27
SPRING, THROTTLE RETURN.....27
STAND.....17
STARTER ASY.....17
STARTER PAWL ASY.....17
STOPPER.....23
STRAINER.....7, 9, 11, 13
SWIVEL.....7, 9, 11, 13

T

TANK, FUEL.....17
TAPPING SCREW 5X20.....25
TENSION SPRING.....19
TERMINAL, SPARK PLUG CAP.....21
TRIGGER, THROTTLE.....27
TUBE, INSULATOR.....21

V

VALVE, INLET NEEDLE.....7, 9, 11, 13
VENT ASY.....17

W

WASHER.....15, 19, 23
WASHER 5.....17, 25
WING BOLT.....5

NOTES



ECHO, INCORPORATED
400 Oakwood Road
Lake Zurich, IL 60047 USA

WWW.ECHO-USA.COM
