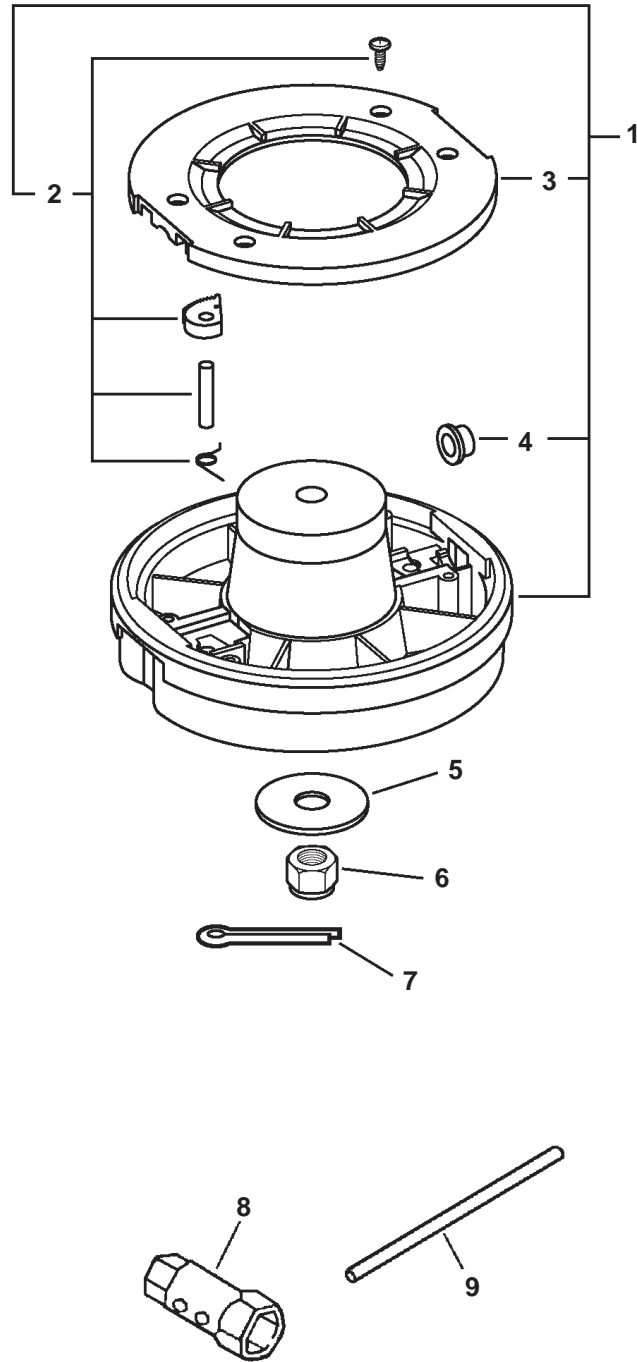


ITEM	PART NUMBER	QTY	DESCRIPTION	REMARKS
1	61040247731	1	GEAR HOUSING ASY	INCLUDES ITEMS 2-20
2	61031347731	1	PLATE, ADAPTER - UPPER	
3	61041307130	1	OIL SEAL	
4	61031507130	1	SPACER	
5	90070200032	1	CIRCLIP 32	
6	90081036201	1	BEARING, BALL 6201	
7	61036008931	1	SHAFT, P.T.O.	
8	90070600012	1	CIRCLIP 12	
9	61030044830	1	GEAR SET	
10	90080000609	1	BEARING, BALL	
11	61046027430	1	HOUSING, GEAR	
12	90024205010	1	SCREW 5X10	
13	61043450031	1	BOLT 8	■
14	90010005035	2	BOLT 5X35	
15	90060000005	2	WASHER 5	
16	90085506900	1	BEARING, BALL	
17	90085806900	1	BEARING, BALL	
18	90070200022	1	CIRCLIP 22	
19	90070600010	1	CIRCLIP 10	
20	61023904130	2	WASHER, SHIM	
21	89016054130	1	LABEL, CAUTION	
22	61020654130	1	DRIVESHAFT HOUSING ASY	INCLUDES ITEMS 23-25
23	61024644730	2	STOPPER	
24	61021752630	1	LINER, FLEXIBLE	
25	C506000000	1	DRIVESHAFT - FLEXIBLE	
26	35122301130	1	CAP, PIPE	
27	P021001260	1	SHIELD ASY	INCLUDES ITEMS 28-30
28	90050000005	2	NUT 5	
29	69901644330	1	CUTTER	
30	90023805016	2	SCREW 5X16	
31	69901840830	1	BRACKET, SHIELD	
32	90023805016	3	SCREW 5X16	



ITEM	PART NUMBER	QTY	DESCRIPTION	REMARKS
1	X047000110	1	TWO LINE RAPID LOADERTM ATTACHMENT	INCLUDES ITEM 2-4 ■
2	P022001090	1	REPAIR KIT - INCLUDES 3 EA - CAM, SHAFT, SPRING & 6 EA - SCREW	■
3	P022001070	1	COVER, TOP	■
4	P022001080	2	EYELET (3 PER PACKAGE)	■
5	V307000080	1	WASHER 10	
6	90051300010	1	LOCKNUT - LEFT HAND	
7	9300020160	1	COTTER PIN	■
8	X602000031	1	WRENCH	■
9	89751801131	2	LOCKING TOOL	■