



**PARTS CATALOG**

**UNIVERSAL BLADE  
CONVERSION KIT**

**MODEL 99944200415**

**FITS MODELS**

- PAS-210
- PAS-211
- PAS-230
- PAS-231
- PAS-260
- PAS-261
- PAS-2100
- SRM-210
- SRM-210i
- SRM-210SB
- SRM-210U
- SRM-211
- SRM-211i
- SRM-211SB
- SRM-211U
- SRM-230
- SRM-230S
- SRM-230SB
- SRM-230U
- SRM-231
- SRM-231S
- SRM-231U
- SRM-260
- SRM-260S
- SRM-260SB
- SRM-260U
- SRM-261
- SRM-261S
- SRM-261SB
- SRM-261U
- SRM-310
- SRM-310S
- SRM-311
- SRM-311S
- SRM-1501 SERIAL NUMBERS: 83387 & UP
- SRM-2100
- SRM-2100SB
- SRM-2201
- SRM-2400
- SRM-2400SB
- SRM-2501
- SRM-2501S
- SRM-2502
- SRM-2601
- SRM-3100

---



---



---



---



---



---



---



---



---



---



---



---



---



---



---



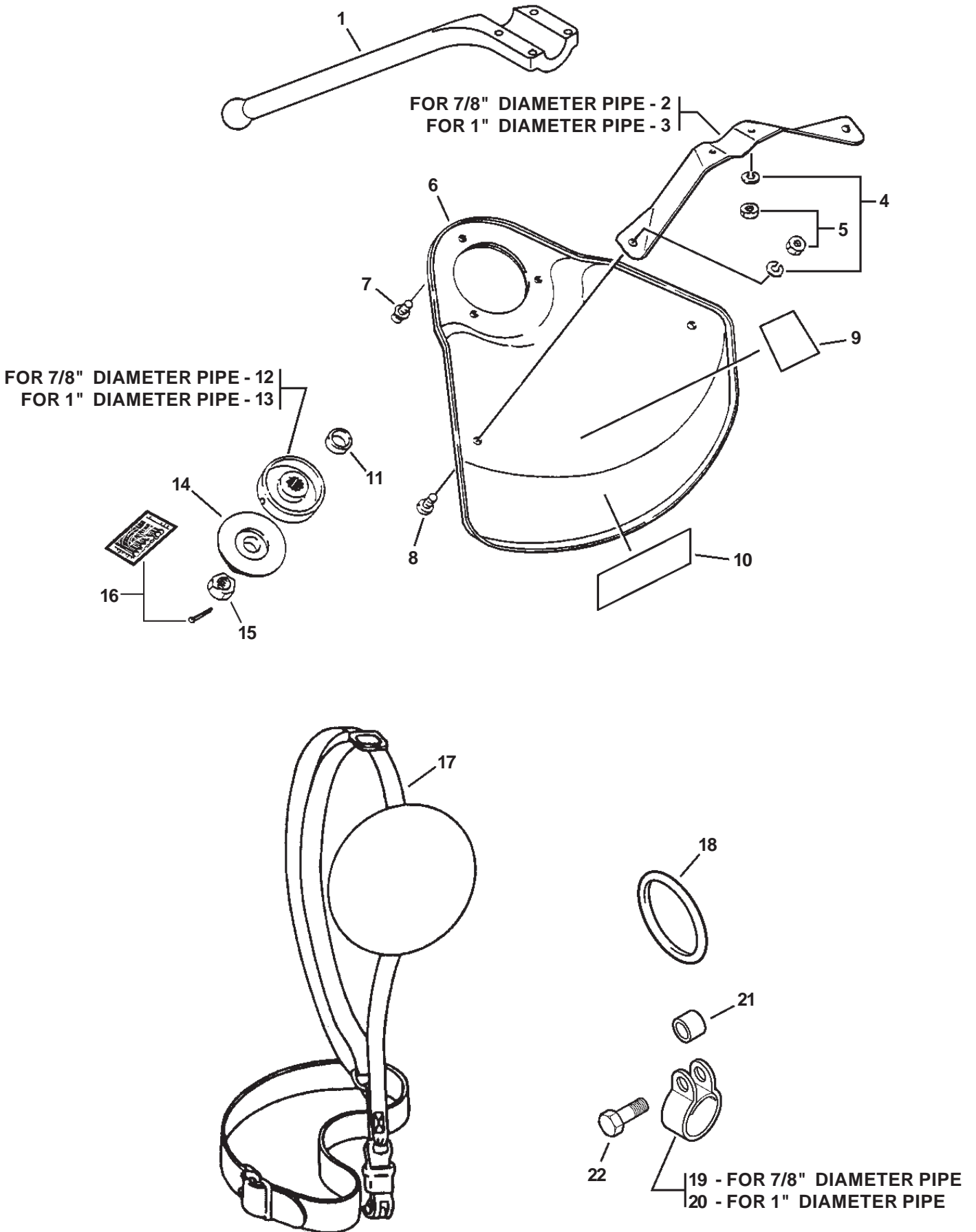
---



---



---



| ITEM | PART NUMBER | QTY | DESCRIPTION               | REMARKS                |
|------|-------------|-----|---------------------------|------------------------|
| 1    | 99944200455 | 1   | BAR, BARRIER              |                        |
| 2    | 69901523431 | 1   | BRACKET, SHIELD           | FOR 7/8" DIAMETER PIPE |
| 3    | 69901523532 | 1   | BRACKET, SHIELD           | FOR 1" DIAMETER PIPE   |
| 4    | 90060500005 | 4   | SPRING WASHER 5           |                        |
| 5    | 90050000005 | 4   | NUT 5                     |                        |
| 6    | C550000200  | 1   | SHIELD, METAL             |                        |
| 7    | 90024205010 | 3   | SCREW 5X10                |                        |
| 8    | 90022005008 | 2   | SCREW 5X8                 |                        |
| 9    | 89016841031 | 1   | LABEL, CAUTION            |                        |
| 10   | 89011848830 | 1   | LABEL, ECHO               |                        |
| 11   | 61031507130 | 1   | SPACER                    |                        |
| 12   | C535000160  | 1   | PLATE, ADAPTER - UPPER    | FOR 7/8" DIAMETER PIPE |
| 13   | C535000140  | 1   | PLATE, ADAPTER - UPPER    | FOR 1" DIAMETER PIPE   |
| 14   | C535000150  | 1   | PLATE, ADAPTER - LOWER    |                        |
| 15   | 90051100010 | 1   | NUT 10 - LEFT HAND        |                        |
| 16   | 90030020022 | 1   | SPLIT PIN (PACKAGE OF 10) |                        |
| 17   | C062000070  | 1   | HARNESS ASY               |                        |
| 18   | 30101652730 | 1   | RING, HARNESS             |                        |
| 19   | 30120708930 | 1   | CLAMP, HARNESS RING       | FOR 7/8" DIAMETER PIPE |
| 20   | 30120707530 | 1   | CLAMP, HARNESS RING       | FOR 1" DIAMETER PIPE   |
| 21   | 69901203330 | 1   | SPACER                    |                        |
| 22   | 90010005018 | 1   | BOLT 5X18                 |                        |