

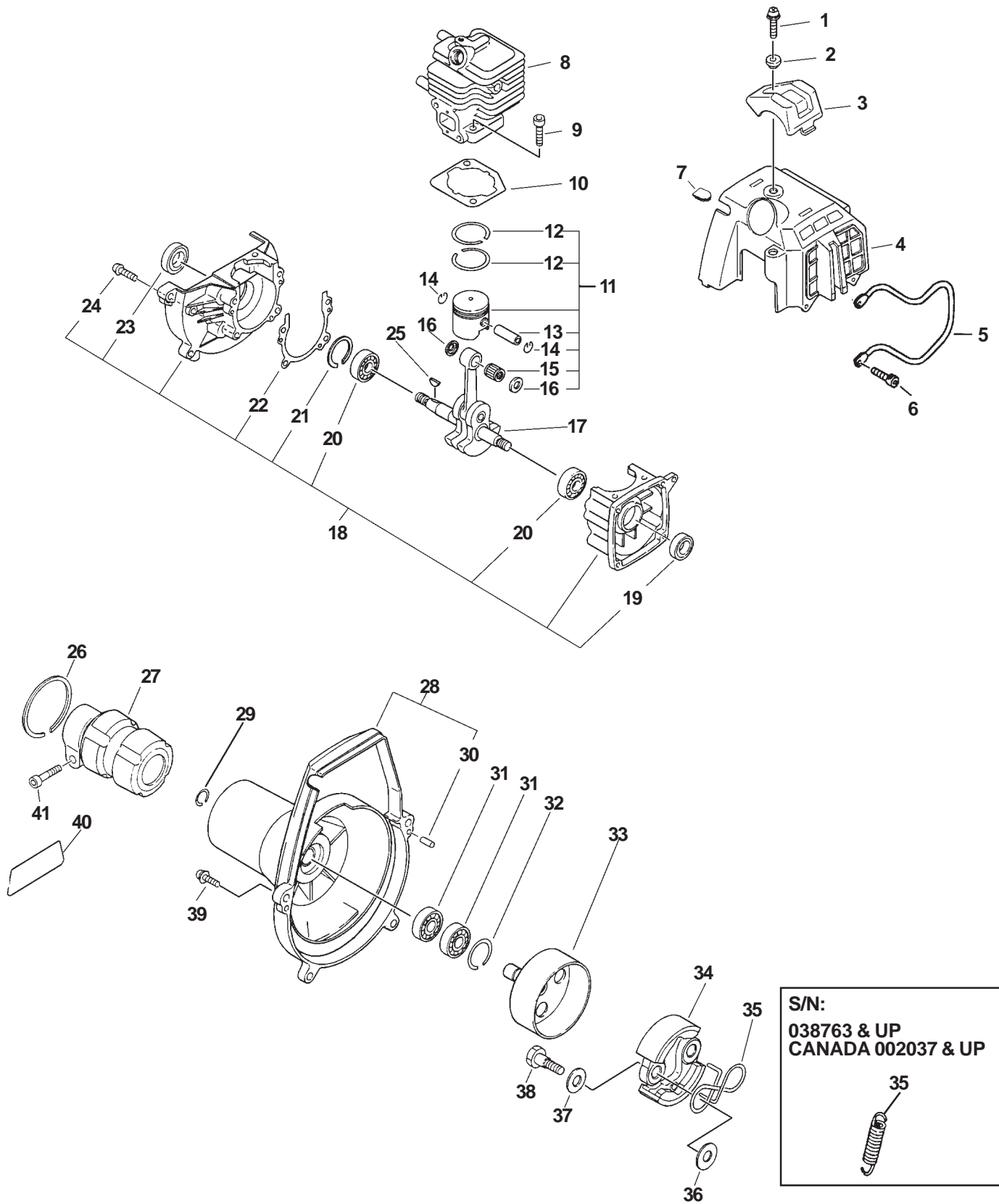


**BRUSH CUTTER  
PARTS CATALOG  
MODEL SRM-2601  
SRM-2610**

**TYPE 1E  
(EPA & CALIFORNIA EMISSION)  
SERIAL NUMBER 005001 AND UP  
(CANADA)  
SERIAL NUMBER 001001 AND UP**

**ECHO, INCORPORATED  
400 OAKWOOD ROAD  
LAKE ZURICH, IL 60047**

**99922202915  
REVISED 04/20/06**

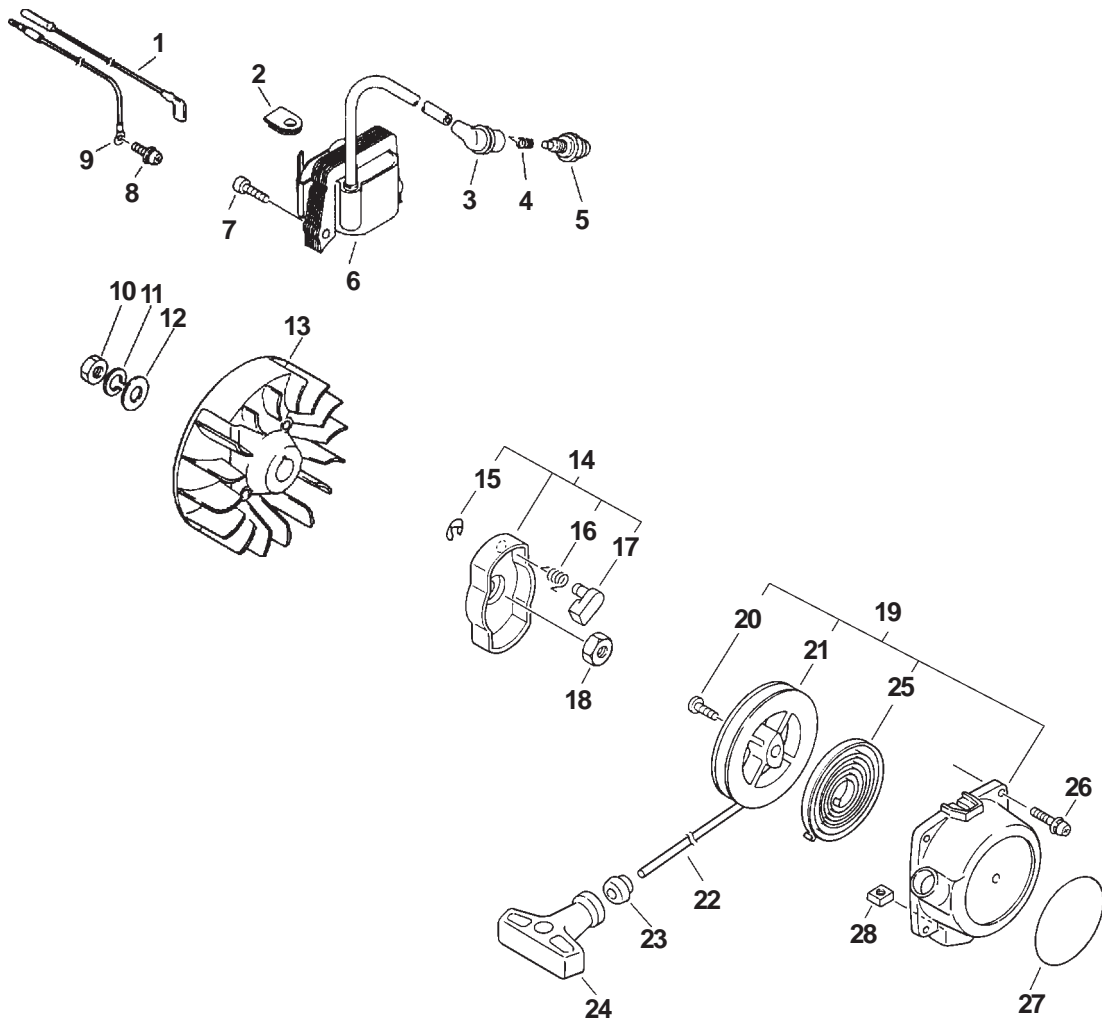


**ENGINE/INTERNAL, EXTERNAL, CRANKCASE, FAN HOUSING, COVER, CLUTCH SRM-2601/2610 TYPE 1E**

KEY	PART NUMBER	QTY	DESCRIPTION	REMARKS
1	90010605020	1	SCREW 5X20	
2	10153155930	1	COLLAR	
3	15990555930	1	GUARD, TOP	
4	10150657730	1	COVER, CYLINDER	
5	10026857730	1	GUARD, ENGINE (OPTIONAL)	
6	90016204016	2	BOLT 4X16	
7	10153828230	1	GROMMET, PLUG S/N 050277 & UP	
8	10103456031	1	CYLINDER	
9	90016205022	4	BOLT, H.S. 5X22	
10	10101056030	1	GASKET, CYLINDER BASE	USE GASKET KIT 88900057730
11	10000056031	1	PISTON KIT (S/N 005001 - 059438)	INCLUDES ITEMS 12 - 16
11	P021000370	1	PISTON KIT (S/N 059439 & UP)	INCLUDES ITEMS 12 - 16
12	10001109560	2	RING, PISTON (S/N 005001 - 059438)	
12	A101000010	2	RING, PISTON (S/N 059439 & UP)	
13	10001356030	1	PIN, PISTON	
14	10001504630	2	CIRCLIP, PISTON PIN	
15	10001255930	1	BEARING, NEEDLE	
16	10001455930	2	SPACER, PISTON PIN	
17	-----	1	CRANKSHAFT ASY USE SB1039	
18	-----	1	CRANKCASE KIT USE SB1039	
19	10021305530	1	OILSEAL	
20	90080036001	2	BEARING, BALL 6001	
21	90070200028	1	CIRCLIP 28	
22	-----	1	GASKET, CRANKCASE	USE GASKET KIT 88900057730
23	10021228230	1	OILSEAL	
24	90016205025	4	BOLT, H.S. 5X25	
25	10014212330	1	KEY, WOODRUFF	
26	90070200042	1	CIRCLIP 42	
27	61092255930	1	HOLDER	
28	10150757730	1	COVER ASY, FAN S/N 005001 - 050276, CANADA 001001-002036	INCLUDES 29-33
28	10150357731	1	COVER ASY, FAN S/N 050277 - 102046, CANADA 002037 & UP	INCLUDES 29-33
28	P021001580	1	COVER ASY, FAN S/N 102047 & UP	INCLUDES 29-33
29	90070100010	1	CIRCLIP 10	
30	10021503930	2	PIN, DOWEL	
31	90080706000	2	BEARING, BALL 6000LU	
32	90070200026	1	CIRCLIP 26	
33	17500555930	1	DRUM, CLUTCH S/N 005001 - 102046, CANADA 001001 & UP	
33	A556000050	1	DRUM, CLUTCH S/N 102047 & UP	
34	17500955930	2	SHOE, CLUTCH S/N 005001 - 102046, CANADA 001001 & UP	
34	A553000010	2	SHOE, CLUTCH S/N 102047 & UP	
35	17501855930	1	SPRING, CLUTCH S/N 005001 - 038762, CANADA 001001-002036	
35	17501805533	1	SPRING, CLUTCH S/N 038763 - 102046, CANADA 002037 & UP	
35	V451000090	1	SPRING, CLUTCH S/N 102047 & UP	
36	17504805530	2	WASHER	
37	17504956030	2	WASHER	
38	17504656030	2	SHAFT, CLUTCH	
39	90016205018	2	BOLT, H.S. 5X18	
40	89003457730	1	LABEL, MODEL	
41	90016205028	1	BOLT, H.S. 5X28	
	88900057730	1	GASKET KIT	

OPTIONAL ENGINE REPOWER

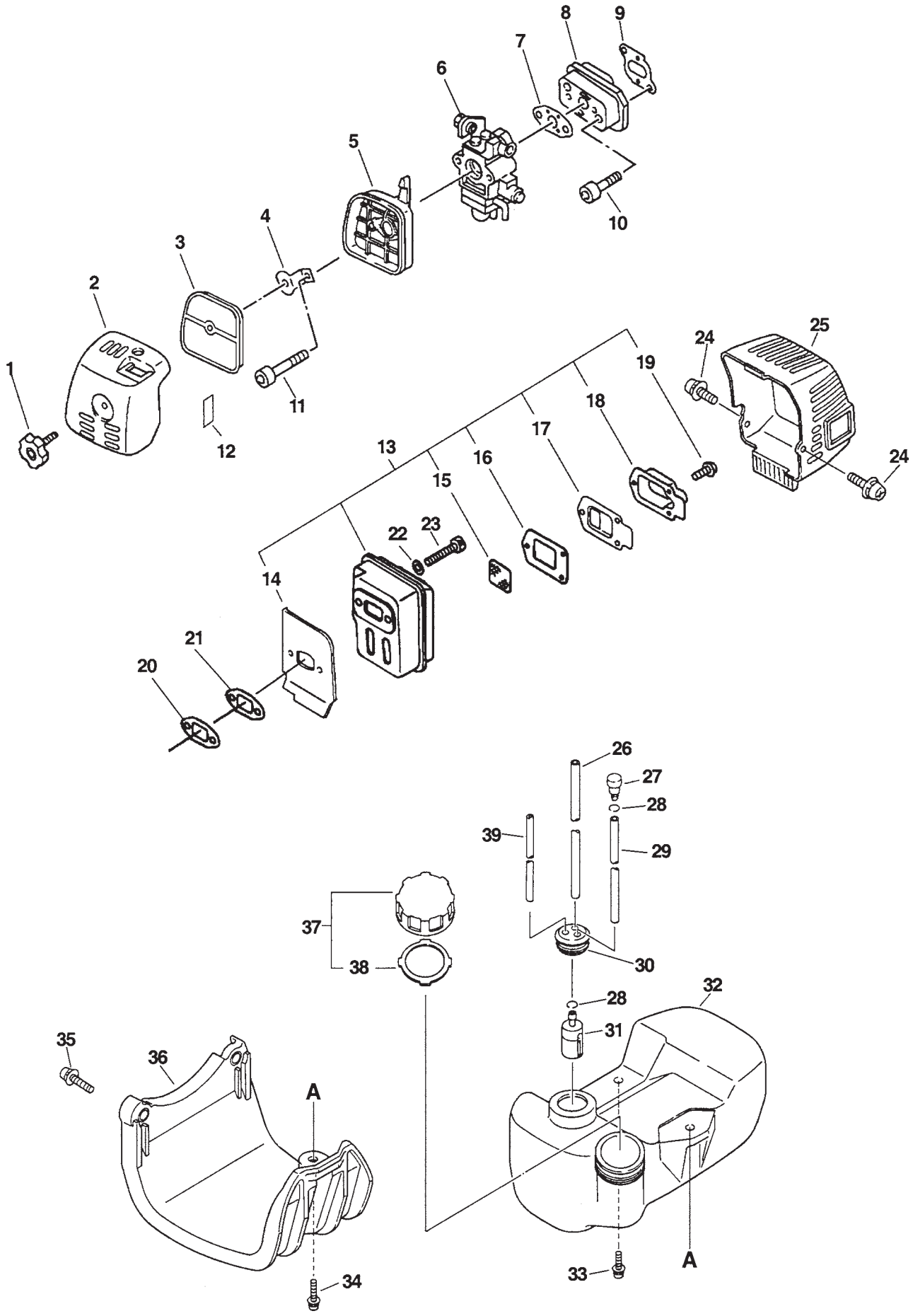
SB1039	1	SHORT BLOCK	INCLUDES ITEMS 8-24
--------	---	-------------	---------------------



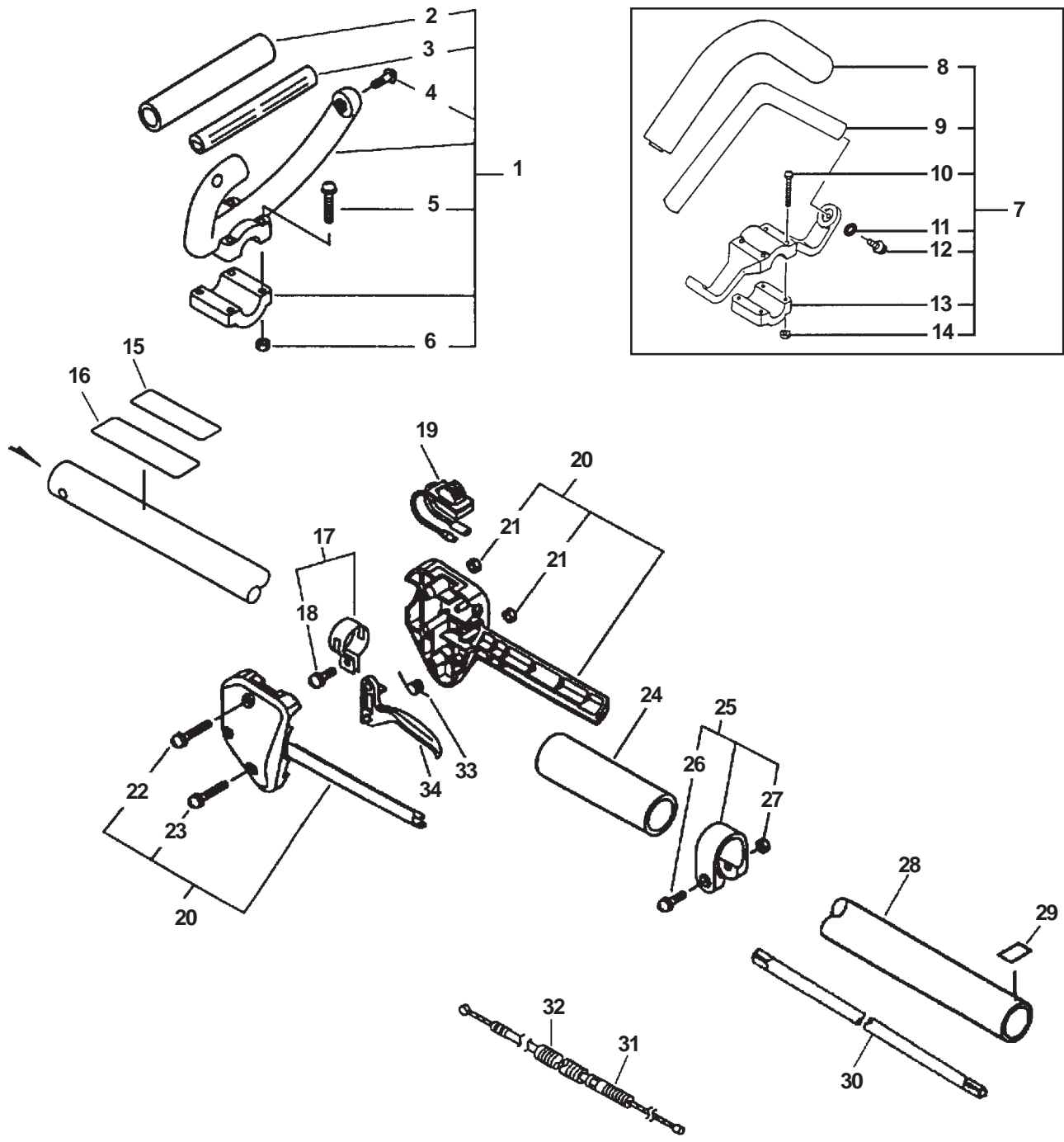
## IGNITION, STARTER, FLYWHEEL

## SRM-2601/2610 TYPE 1E

KEY	PART NUMBER	QTY	DESCRIPTION	REMARKS
1	16201056430	1	LEAD	
2	15611228230	1	GROMMET	S/N 005001 - 050276
2	15611240630	1	GROMMET	S/N 050277 & UP
3	15901203433	1	CAP, SPARK PLUG	
4	15901103432	1	COIL, SPARK PLUG CAP	
5	99944500071	1	PLUG, SPARK (BPM-7Y)	
5	15901010230	1	PLUG, SPARK (BPMR-7A)	CANADIAN MODELS
6	15262656031	1	COIL, IGNITION	
7	90016205020	2	BOLT, H.S. 5X20	
8	90024205010	1	SCREW 5X10	
9	16201452930	1	LEAD, GROUND	
10	90050200008	1	NUT 8	
11	90060500008	1	WASHER, SPRING 8	
12	90060000008	1	WASHER 8	
13	15280156030	1	FLYWHEEL	
14	17720240630	1	PAWL ASY, STARTER	INCLUDES ITEMS 15 - 17
15	90070000004	1	E-RING 4	
16	17723440630	1	SPRING, RETURN	
17	17721840630	1	PAWL, STARTER	
18	90050200008	1	NUT 8	
19	17720055931	1	STARTER ASY	INCLUDES ITEMS 20 - 25
20	17723644330	1	SCREW	
21	17721540630	1	DRUM, STARTER	
22	-----	1	ROPE, STARTER - 3.8X950mm	BULK OPTION: 99944400050
23	17722742030	1	GUIDE, ROPE	
24	17722827030	1	GRIP, STARTER	
25	17722040630	1	SPRING, REWIND	
26	90016204014	4	BOLT, H.S. 4X14	
27	89011849130	1	LABEL, ECHO	
28	90056500005	1	NUT	

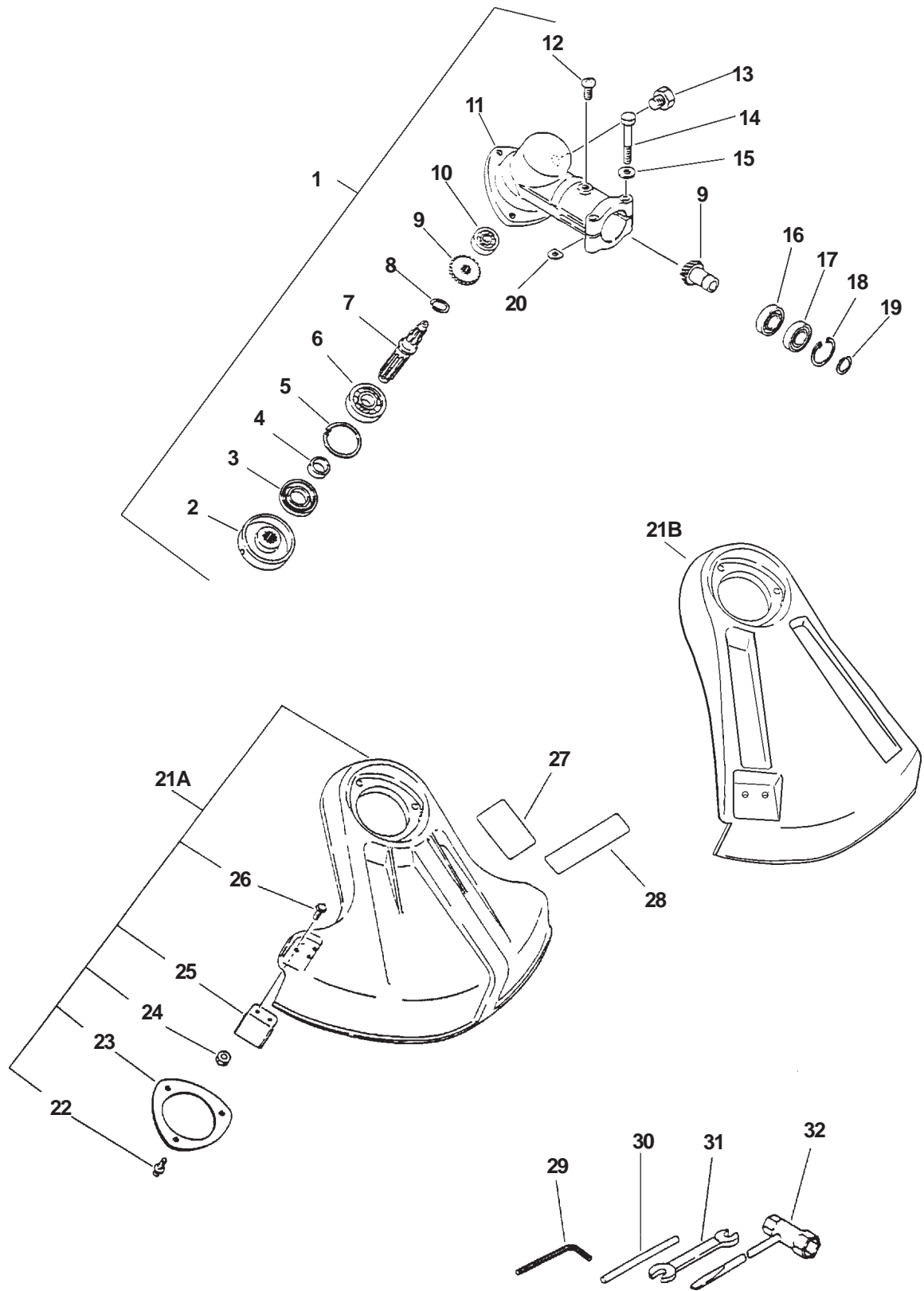


KEY	PART NUMBER	QTY	DESCRIPTION	REMARKS
1	13040652130	1	KNOB, FASTENER	
2	13031357731	1	LID, CLEANER	
3	13031051830	1	FILTER, AIR	USE KIT 90030
4	12901157730	1	PLATE, PREVENT	
5	13030757730	1	CASE, AIR CLEANER	
6	12300057730	1	CARBURETOR ASY (WYJ-192)	
7	13001013410	1	GASKET, INTAKE	USE GASKET KIT 88900057730
8	13001756430	1	INSULATOR	
9	13001055930	1	GASKET, INTAKE	USE GASKET KIT 88900057730
10	90016205025	2	BOLT, H.S. 5X25	
11	90024205055	2	SCREW 5X55 (W/W.SW)	
12	89012155230	1	LABEL, CHOKE	
13	14580057730	1	MUFFLER ASY	INCLUDES ITEMS 14 - 19
14	14551055930	1	GASKET, MUFFLER	USE GASKET KIT 88900057730
15	14586240630	1	SCREEN, MUFFLER	
16	14586642031	1	GASKET, MUFFLER LID	USE GASKET KIT 88900057730
17	14587642030	1	LID, MUFFLER	
18	14581852130	1	GUIDE, EXHAUST	
19	90023804010	3	SCREW 4X10	
20	14551042031	1	GASKET, MUFFLER (S/N 005001 - 050277)	USE GASKET KIT 88900057730
21	14564257730	1	SPACER (S/N 005001 - 050277)	
22	90060000005	2	WASHER 5	
23	90010505055	2	BOLT, H.S. 5X55	
24	90016205012	2	BOLT, H.S. 5X12	
25	14562157730	1	COVER, MUFFLER	
26	13201052030	1	PIPE	
27	13130056430	1	VALVE, CHECK	USE KIT 90010
28	13201326630	2	CLIP	
29	43721720760	1	PIPE 3X6X100	
30	13211555930	1	GROMMET, FUEL	
31	13120530830	1	STRAINER, FUEL	USE KIT 90030
32	13100556530	1	TANK, FUEL	
33	90023905016	2	SCREW 5X16	
34	90024405020	1	SCREW	
35	90016205022	2	BOLT, H.S. 5X22	
36	30511057730	1	STAND	
37	13100455830	1	CAP ASY, FUEL TANK	INCLUDES ITEM 38
38	13101655830	1	GASKET, FUEL CAP	
39	43721520760	1	PIPE 3X6X60	

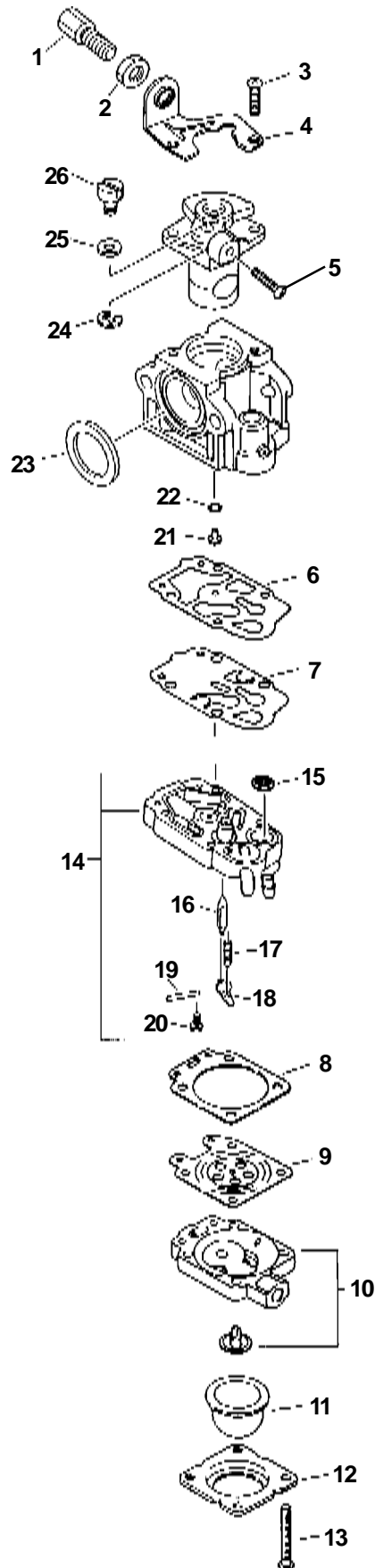




KEY	PART NUMBER	QTY	DESCRIPTION	REMARKS
1	35120152130	1	HANDLE ASY, LOOP	INCLUDES ITEMS 2 - 6
2	35121351730	1	GRIP, FRONT HANDLE	
3	35121051730	1	HANDLE, REAR	
4	90024605030	2	SCREW 5X30	
5	90024205035	4	SCREW 5X35	
6	90050000005	4	NUT 5	
7	P021000020	1	HANDLE ASY	INCLUDES ITEMS 8 - 14
8	35121666230	1	GRIP, FRONT HANDLE	
9	35120566230	1	HANDLE, FRONT	
10	90024205035	4	SCREW 5X35	
11	90060300005	2	WASHER	
12	88995021060	2	SCREW	
13	35122507130	1	BRACKET, HANDLE	
14	90050000005	4	NUT, 5	
15	89016054130	1	LABEL, CAUTION	
15	89031749030	1	LABEL, CAUTION	CANADIAN MODELS
16	89022809560	1	LABEL, CAUTION	
17	30120029430	1	BAND ASY	INCLUDES ITEM 18
18	90024205014	1	SCREW 5X14	
19	16340052430	1	SWITCH, IGNITION	
20	17800352130	1	BRACKET SET, THROTTLE	INCLUDES ITEMS 21 - 23
21	90050000005	2	NUT 5	
22	90024205035	1	SCREW 5X35	
23	90024205025	1	SCREW 5X25	
24	35121352130	1	GRIP, FRONT HANDLE	
25	61027252130	1	BAND	INCLUDES ITEMS 26 & 27
26	90024205028	1	SCREW 5X28	
27	90050000005	1	NUT 5	
28	61020656030	1	HOUSING ASY, DRIVE SHAFT	
29	89015204930	1	LABEL, CAUTION	
30	61001156030	1	SHAFT, DRIVE	
31	17800156530	1	WIRE, THROTTLE	
32	17812706960	1	TUBE	
33	17804342230	1	SPRING, THROTTLE RETURN	
34	17801052130	1	CONTROL, THROTTLE	



KEY	PART NUMBER	QTY	DESCRIPTION	REMARKS	
1	61040057731	1	HOUSING ASY, GEAR	INCLUDES ITEMS 2 - 20	
2	61031347731	1	PLATE, ADAPTER (U)		
3	61041307130	1	OILSEAL		
4	61031507130	1	SPACER		
5	90070200032	1	CIRCLIP 32		
6	90081036201	1	BEARING, BALL 6201		
7	61036008931	1	SHAFT, P.T.O.		
8	90070600010	1	CIRCLIP 10		
9	61030040930	1	GEAR SET		
10	90080000609	1	BEARING, BALL 609		
11	61046027430	1	HOUSING, GEAR		
12	90024205010	1	SCREW 5X10		
13	90010008008	1	BOLT 8X6		
14	90010005035	2	BOLT 5X35		
15	90060000005	2	WASHER 5		
16	90085506900	1	BEARING, BALL 6900		
17	90085806900	1	BEARING, BALL 6900Z		
18	90070200022	1	CIRCLIP 22		
19	90070600012	1	CIRCLIP 12		
20	61023904130	2	WASHER, SHIM		
21A	69900440931	1	SHIELD ASY, W/LABEL		INCLUDES ITEMS 22 - 27
21B	P021001260	1	SHIELD ASY		
22	90023805016	3	SCREW 5X16		
23	69901840830	1	BRACKET, SHIELD		
24	90050000005	2	NUT 5		
25	69901644330	1	CUTTER		
26	90023805016	2	SCREW 5X16		
27	89016844830	1	LABEL, CAUTION		
28	89011848830	1	LABEL, ECHO		
29	89561000130	1	L-WRENCH 4MM		
30	89751801131	1	LOCKING TOOL		
31	89511200330	1	SPANNER 8X10		
32	89541008030	1	WRENCH, W/SCREWDRIVER		



## CARBURETOR

## SRM-2601/2610 TYPE 1E

KEY	PART NUMBER	QTY	DESCRIPTION	REMARKS
	12300057730	1	CARBURETOR WYJ-192	INCLUDES THE FOLLOWING ITEMS
1	12316156431	1	SCREW, ADJUSTER	
2	12315356430	1	NUT, ADJUSTER	
3	12311440630	2	SCREW	
4	12312854230	1	BRACKET, IDLE ADJUST	
5	12313440030	1	SCREW, IDLE ADJUST	
6	A B	1	GASKET, PUMP	
7	A B	1	DIAPHRAGM, PUMP	
8	A B	1	GASKET, METERING DIAPHRAGM	
9	A B	1	DIAPHRAGM, METERING	
10	12318005560	1	BODY, AIR PURGE	
11	12318140630	1	PUMP, PURGE	
12	12314205560	1	COVER, PURGE PUMP	
13	12311005560	4	SCREW, PUMP COVER	
14	12317905560	1	BODY ASY, PUMP	INCLUDES ITEMS 15 - 20
15	A	1	SCREEN, INLET	
16	A	1	VALVE, INLET NEEDLE	
17	12312205560	1	SPRING, METERING LEVER	
18	A	1	LEVER, METERING	
19	12313803930	1	PIN, METERING LEVER	
20	12313905560	1	SCREW, METERING LEVER PIN	
21	12318457730	1	JET, MAIN	
22	12318340630	1	O-RING	
23	A B	1	RING, PACKING	
24	12317307930	1	CLIP	
25	12314954230	1	WASHER	
26	12317245130	1	SWIVEL	
A	12310057730	1	REPAIR KIT	
B	12310157730	1	DIAPHRAGM/GASKET KIT	