



OPTIONAL ATTACHMENTS & ACCESSORIES

Fits Models

PAS-210	Pro Attachment Series
PAS-2100	Pro Attachment Series
PAS-211	Pro Attachment Series
PAS-230	Pro Attachment Series
PAS-231	Pro Attachment Series
PAS-2400	Pro Attachment Series
PAS-260	Pro Attachment Series
PAS-2601	Pro Attachment Series
PAS-261	Pro Attachment Series
SRM-2100SB	Split-Shaft Trimmer
SRM-2101SB	Split-Shaft Trimmer
SRM-210SB	Split-Shaft Trimmer
SRM-2400SB	Split-Shaft Trimmer
SRM-260SB	Split-Shaft Trimmer
SRM-261SB	Split-Shaft Trimmer

Guide Bars

1080373301	Guide Bar - 8" (.050" Ga)
1100373901	Guide Bar - 10" (.043" Ga)
1101373901	Guide Bar - 10" (.050" Ga)
1102373901	Guide Bar - 10" (.050" Ga) -- Intenz

Sawing Chains

1907039	Sawing Chain - 10" (.043" Ga) -- Micro-Lite
1917033	Sawing Chain - 8" (.050" Ga) -- Low Profile
1917039	Sawing Chain - 10" (.050" Ga) -- Low Profile

PARTS CATALOG

99944200530 Power Pruner Attachment

Pro Attachment Series

SERIAL NUMBERS

Power Pruner Attachment

ECHO, INCORPORATED

400 Oakwood Road Lake Zurich, Illinois 60047 USA

WWW.ECHO-USA.COM



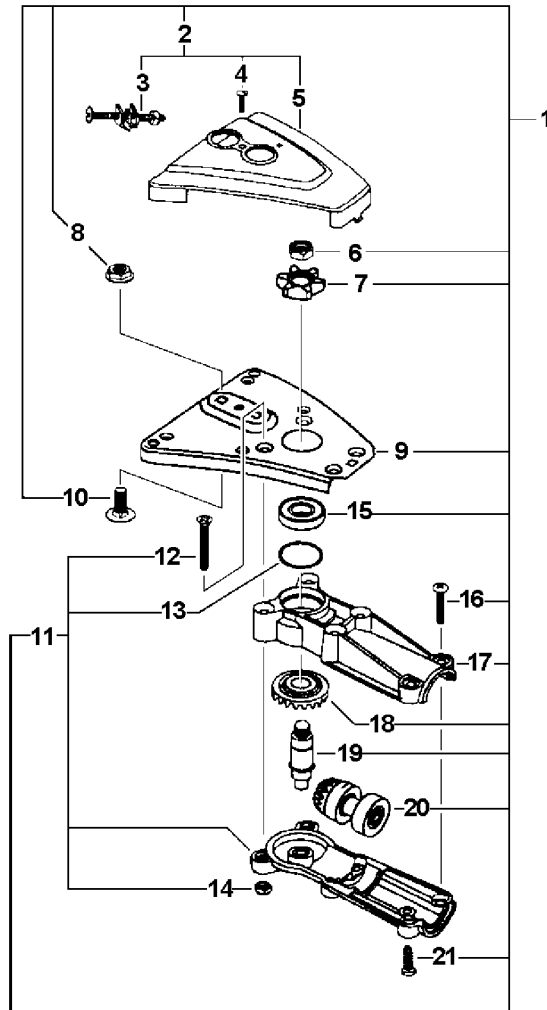
Table of Contents

Click Any Diagram Description Below To View That Diagram.

99944200530 Power Pruner Attachment

Gear Case S/N: 001001 - 007319.....	4
Gear Case, Auto-Oiler S/N: 007320 - 025902.....	6
Gear Case, Auto-Oiler S/N: 025903 - 999999.....	8
Gear Case, Auto-Oiler S/N: S06300001001 - S06300001387.....	10
Gear Case, Auto-Oiler S/N: S06300001388 - S06399999999.....	12
Driveshaft Housing Assembly, Driveshaft.....	14
Part Number Index.....	16
Part Description Index.....	17

This Page Intentionally Left Blank

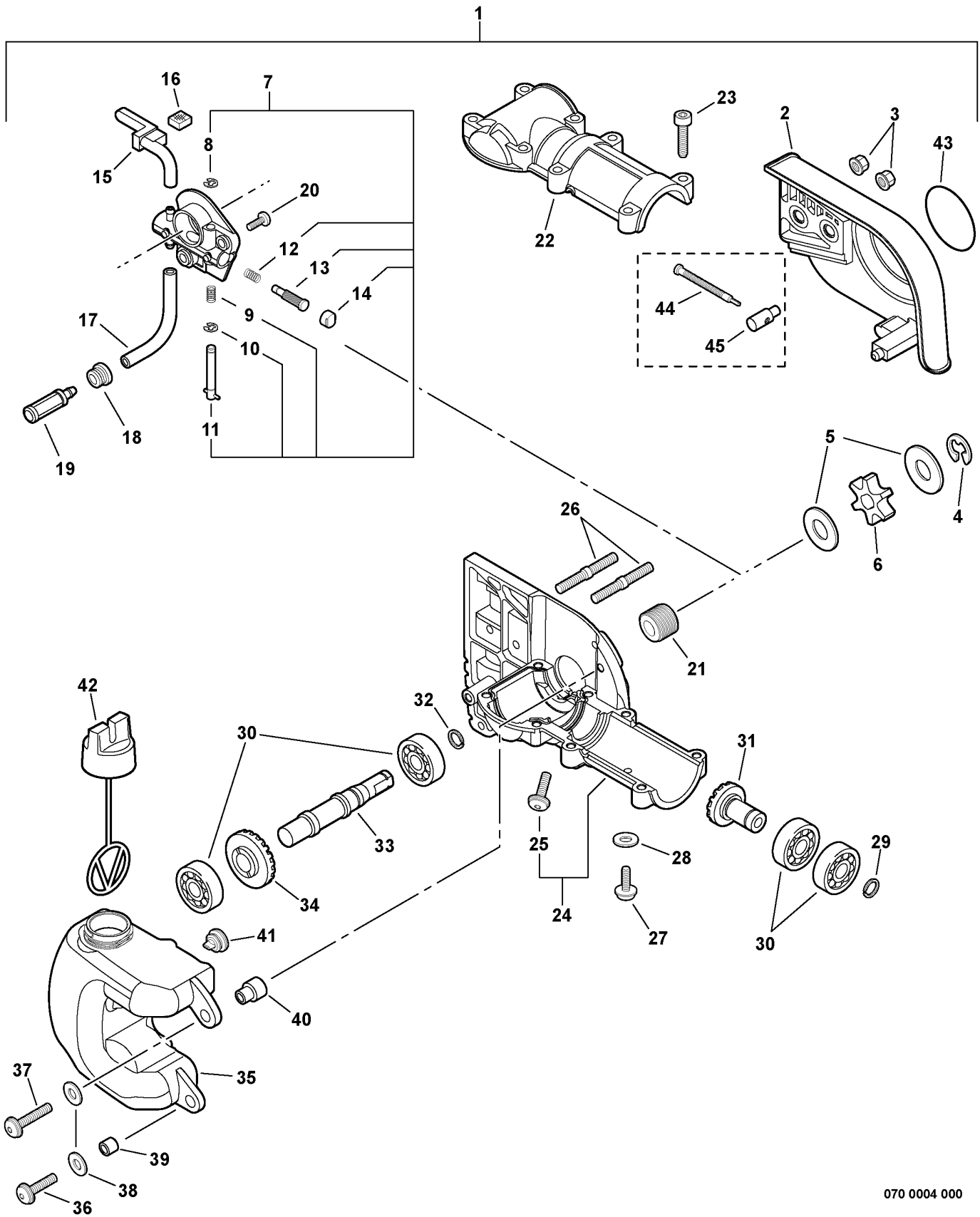


99944200530000100

ITEM	PART NUMBER	QTY	DESCRIPTION	REMARKS
1	61050922060	1	CUTTING HEAD ASY ¹	TECHNIC TOOL # 41014
2	43300122060	1	SPROCKET COVER ASY ²	TECHNIC TOOL # 41006
3	43301422060	1	ADJUSTER CHAIN	TECHNIC TOOL # 20118
4	90005300100	1	SCREW	TECHNIC TOOL # 45100
5	43301022060	1	COVER SPROCKET	TECHNIC TOOL # 40135
6	90003000200	1	NUT	TECHNIC TOOL # 40512
7	30281022060	1	SPROCKET	TECHNIC TOOL # 40123
8	90004000100	2	FLANGE NUT	TECHNIC TOOL # 40513
9	43300422060	1	BRACKET, GUIDE BAR	TECHNIC TOOL # 41001
10	90006000100	2	CARRIAGE BOLT	TECHNIC TOOL # 40509
11	61099024160	1	GEAR CASE COVER KIT ³	TECHNIC TOOL # 41022 (WAS 41002)
12	90005700100	4	SCREW	TECHNIC TOOL # 45150 (WAS 40505 & 40506 2EA)
13	90003500400	2	SHIM	40127
14	90003150100	6	NUT	TECHNIC TOOL # 45170 (WAS 40508)
15	90080206001	1	BEARING, BALL	106
16	90005300400	2	SCREW	TECHNIC TOOL # 45140 (WAS 40504)
17	61046022760	1	HOUSING, GEAR CASE	TECHNIC TOOL # 40131
18	61031122060	1	SPROCKET, GEAR	TECHNIC TOOL # 40122
19	61030922160	1	SPROCKET, SHAFT	TECHNIC TOOL # 40125
20	61030922060	1	PINION, SHAFT	TECHNIC TOOL # 41000
21	90005400100	1	SCREW	TECHNIC TOOL # 40520

Footnotes

- 1: INCLUDES ITEMS 1-21
- 2: INCLUDES ITEMS 3-5
- 3: INCLUDES ITEMS 12-14

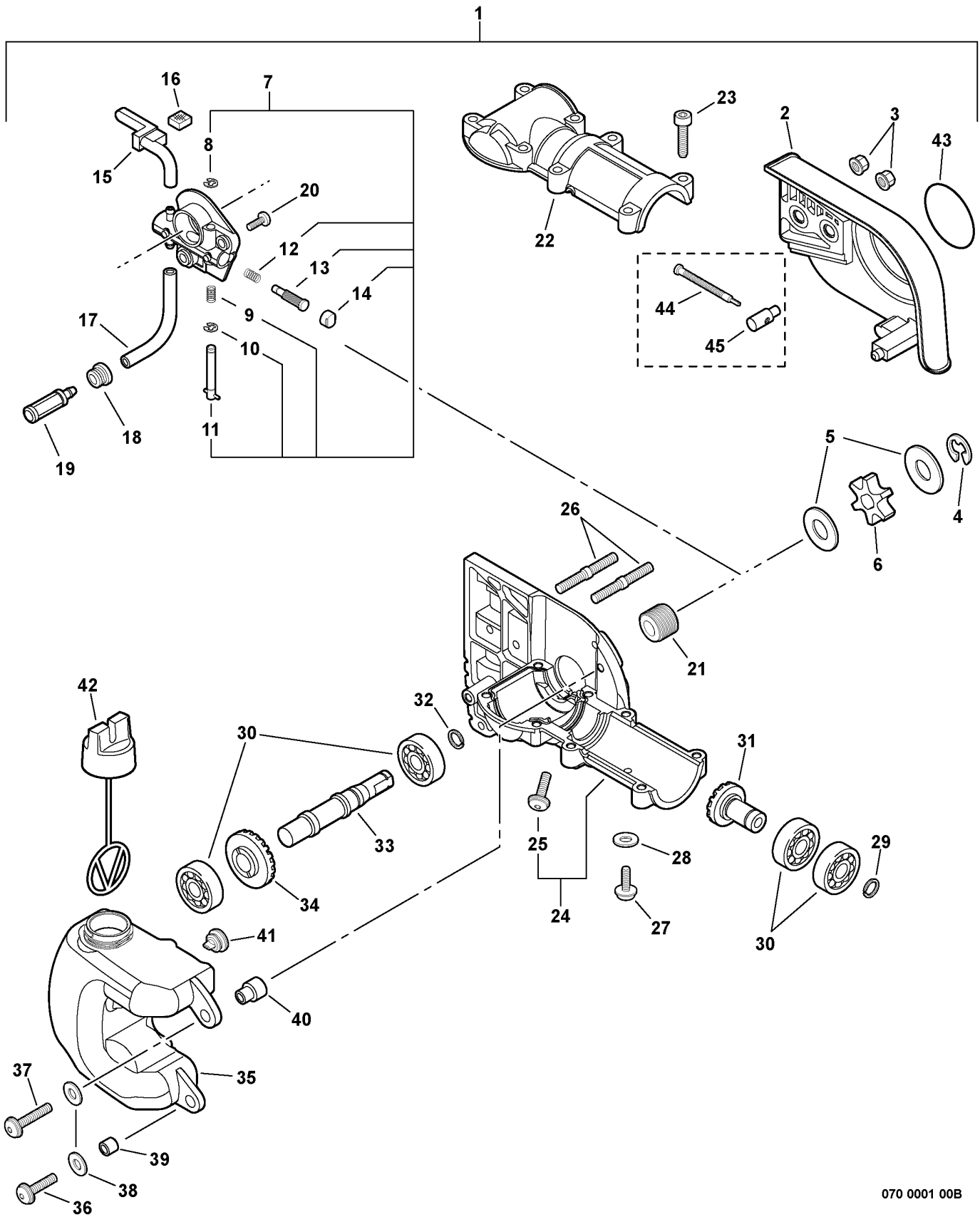


070 0004 000

ITEM	PART NUMBER	QTY	DESCRIPTION	REMARKS
1	90084	1	AUTO OILER/GEAR CASE ASY	INCLUDES ITEMS 2-43
2	C300000001	1	GUARD, SPROCKET	
3	43301903933	2	NUT 6	
4	V583000010	1	RING	
5	17501439131	2	WASHER	
6	C580000070	1	SPROCKET, DRIVE	
7	43700239130	1	AUTO-OILER ASY	INCLUDES ITEMS 8-14
8	12312715030	1	CLIP	
9	43701537330	1	SPRING, ADJUSTER	
10	43702937330	1	WASHER	
11	43701639130	1	ADJUSTER, OILER	
12	43701938330	1	SPRING, PLUNGER	
13	43702437330	1	PLUNGER ASY	
14	43706237330	1	CAP, OIL PUMP	
15	V470000180	1	PIPE, OIL OUTLET	
16	43724439130	1	PAD, FOAM	
17	13011014330	1	PIPE, IMPULSE - 3X6X115mm	REPOWER BULK OPTION: 90015
18	13211501461	1	GROMMET	
19	43620502832	1	STRAINER, OIL	
20	90010905010	2	SCREW 5X10	
21	43706338330	1	GEAR, WORM	
22	C531000010	1	CASE, GEAR - UPPER	
23	90010905025	8	SCREW 5X25	
24	C051000110	1	CASE, GEAR - LOWER	INCLUDES ITEM 25
25	90010905010	1	SCREW 5X10	
26	V224000000	2	STUD BOLT 6	
27	90010905010	1	SCREW 5X10	
28	90060000005	1	WASHER	
29	90070600012	1	CIRCLIP 12	
30	9404206001	4	BEARING, BALL 6001	
31	V651000032	1	GEAR, BEVEL	Use BEVEL GEAR KIT P021009730
32	90070600012	1	CIRCLIP 12	
33	C534000180	1	SHAFT, GEAR	
34	V651000111	1	GEAR, BEVEL	Use BEVEL GEAR KIT P021009730
35	C200000000	1	TANK, OIL	
36	9110905016	2	SCREW 5X16	
37	90010905025	1	SCREW 5X25	
38	90060300005	3	WASHER	
39	13104528230	2	SPACER	
40	V354000010	1	COLLAR 6	
41	13131406320	1	VENT ASY	
42	P021000951	1	OIL CAP ASY	
43	X502000310	1	LABEL - ECHO	
44	43301639131	1	SCREW, ADJUSMENT ¹	Not Included In 90084 OILER/GEAR CASE ASY
45	43301403931	1	TENSIONER ¹	Not Included In 90084 OILER/GEAR CASE ASY

Footnotes

1: For Use With Standard Guide Bar (INTENZ Guide Bar Not Used)

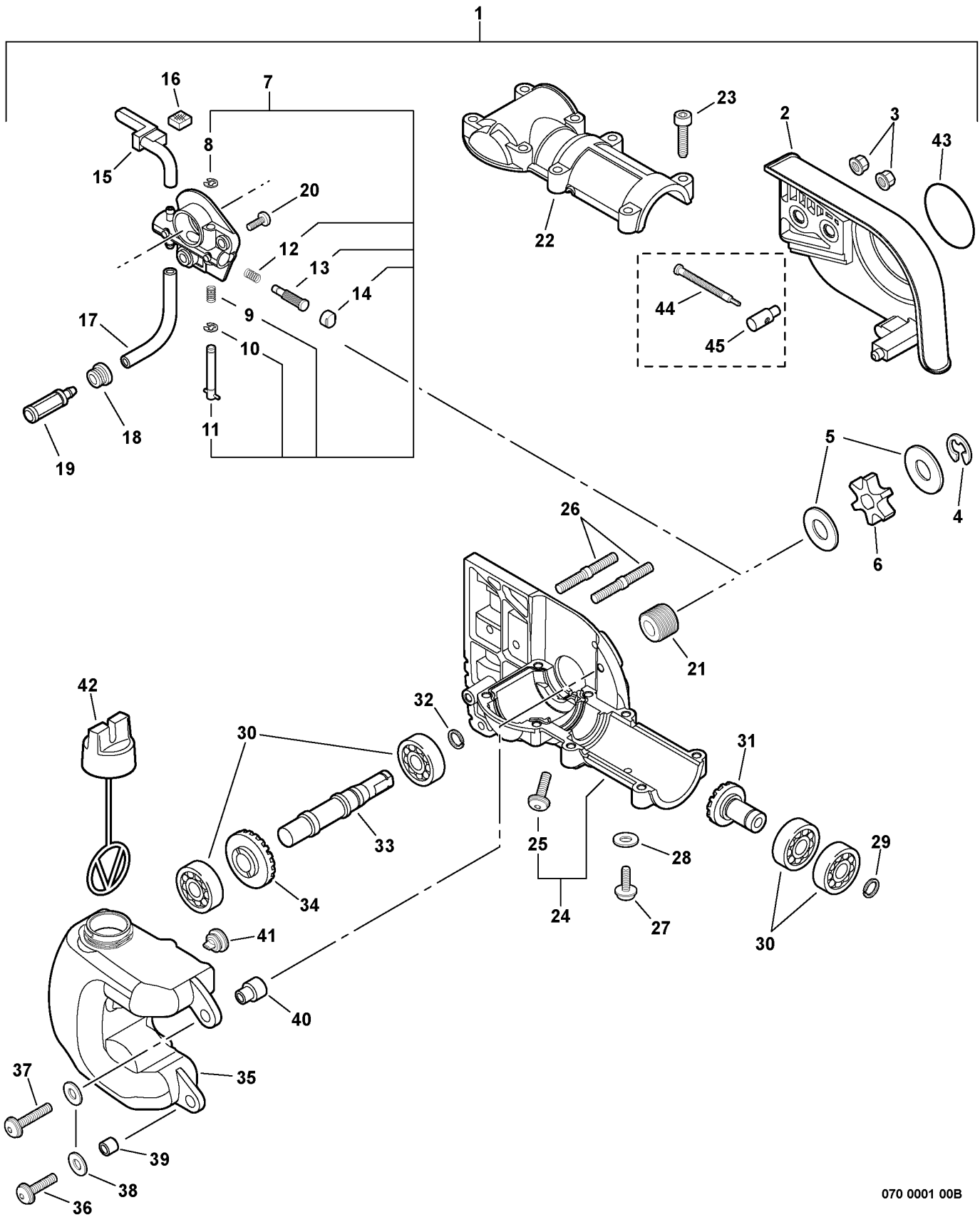


070 0001 00B

ITEM	PART NUMBER	QTY	DESCRIPTION	REMARKS
1	90094	1	AUTO OILER/GEAR CASE ASY	INCLUDES ITEMS 2-43
2	C300000001	1	GUARD, SPROCKET	
3	43301903933	2	NUT 6	
4	V583000010	1	RING	
5	17501439131	2	WASHER	
6	C580000070	1	SPROCKET, DRIVE	
7	43700239130	1	AUTO-OILER ASY	INCLUDES ITEMS 8-14
8	12312715030	1	CLIP	
9	43701537330	1	SPRING, ADJUSTER	
10	43702937330	1	WASHER	
11	43701639130	1	ADJUSTER, OILER	
12	43701938330	1	SPRING, PLUNGER	
13	43702437330	1	PLUNGER ASY	
14	43706237330	1	CAP, OIL PUMP	
15	V470000180	1	PIPE, OIL OUTLET	
16	43724439130	1	PAD, FOAM	
17	13011014330	1	PIPE, IMPULSE - 3X6X115mm	REPOWER BULK OPTION: 90015
18	13211501461	1	GROMMET	
19	43620502832	1	STRAINER, OIL	
20	90010905010	2	SCREW 5X10	
21	43706338330	1	GEAR, WORM	
22	C531000010	1	CASE, GEAR - UPPER	
23	90010905025	8	SCREW 5X25	
24	C051000110	1	CASE, GEAR - LOWER	INCLUDES ITEM 25
25	90010905010	1	SCREW 5X10	
26	V224000000	2	STUD BOLT 6	
27	90010905010	1	SCREW 5X10	
28	90060000005	1	WASHER	
29	90070600012	1	CIRCLIP 12	
30	9404206001	4	BEARING, BALL 6001	
31	V651000230	1	GEAR, BEVEL	
32	90070600012	1	CIRCLIP 12	
33	C534000180	1	SHAFT, GEAR	
34	V651000200	1	GEAR, BEVEL	
35	C200000000	1	TANK, OIL	
36	9110905016	2	SCREW 5X16	
37	90010905025	1	SCREW 5X25	
38	90060300005	3	WASHER	
39	13104528230	2	SPACER	
40	V354000010	1	COLLAR 6	
41	13131406320	1	VENT ASY	
42	P021000951	1	OIL CAP ASY	
43	X502000310	1	LABEL - ECHO	
44	43301639131	1	SCREW, ADJUSMENT ¹	Not Included In 90094 OILER/GEAR CASE ASY
45	43301403931	1	TENSIONER ¹	Not Included In 90094 OILER/GEAR CASE ASY

Footnotes

1: For Use With Standard Guide Bar (INTENZ Guide Bar Not Used)

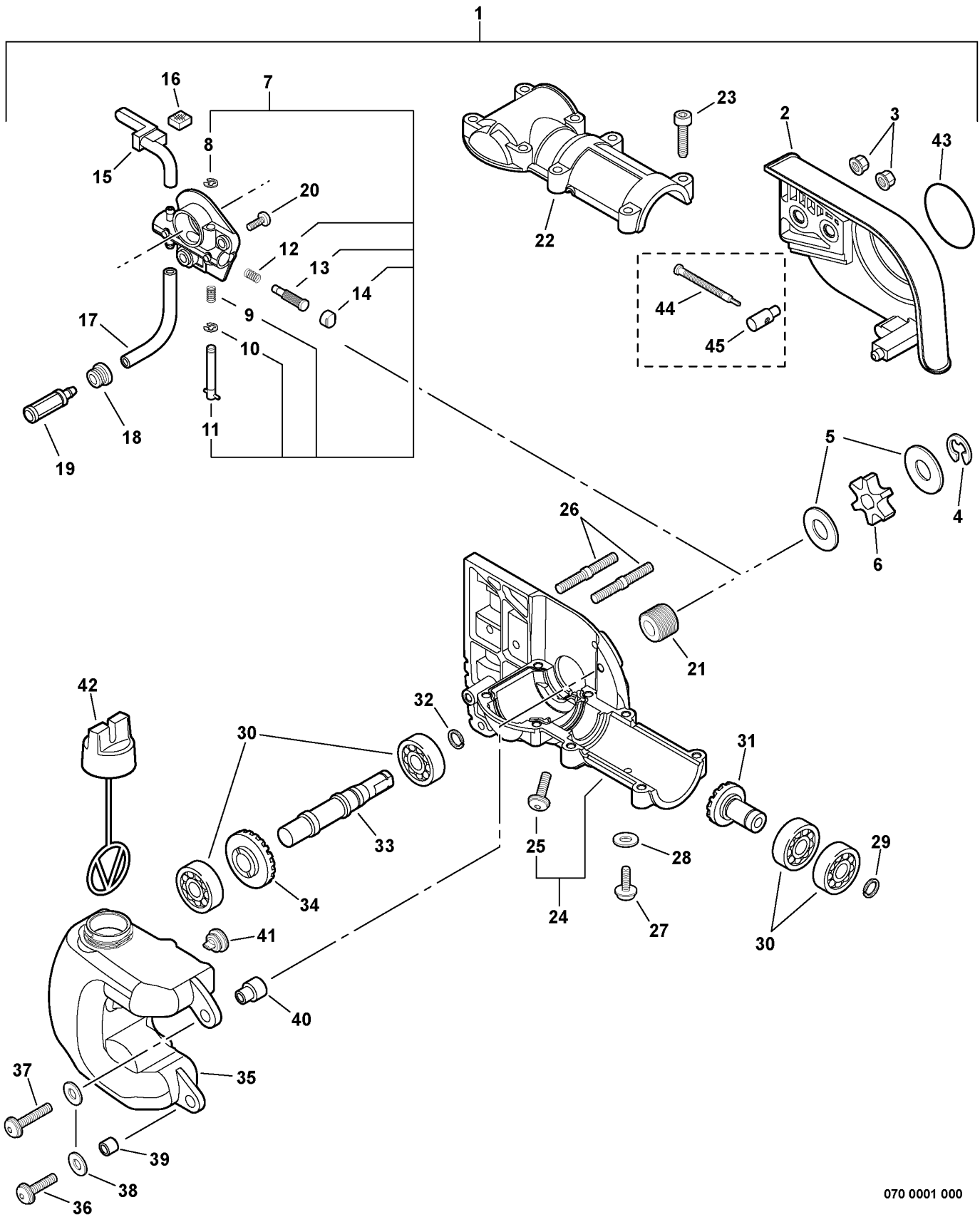


070 0001 00B

ITEM	PART NUMBER	QTY	DESCRIPTION	REMARKS
1	90094	1	AUTO OILER/GEAR CASE ASY	INCLUDES ITEMS 2-43
2	C300000001	1	GUARD, SPROCKET	
3	43301903933	2	NUT 6	
4	V583000010	1	RING	
5	17501439131	2	WASHER	
6	C580000070	1	SPROCKET, DRIVE	
7	43700239130	1	AUTO-OILER ASY	INCLUDES ITEMS 8-14
8	12312715030	1	CLIP	
9	43701537330	1	SPRING, ADJUSTER	
10	43702937330	1	WASHER	
11	43701639130	1	ADJUSTER, OILER	
12	43701938330	1	SPRING, PLUNGER	
13	43702437330	1	PLUNGER ASY	
14	43706237330	1	CAP, OIL PUMP	
15	V470000180	1	PIPE, OIL OUTLET	
16	43724439130	1	PAD, FOAM	
17	13011014330	1	PIPE, IMPULSE - 3X6X115mm	REPOWER BULK OPTION: 90015
18	13211501461	1	GROMMET	
19	43620502832	1	STRAINER, OIL	
20	90010905010	2	SCREW 5X10	
21	43706338330	1	GEAR, WORM	
22	C531000010	1	CASE, GEAR - UPPER	
23	90010905025	8	SCREW 5X25	
24	C051000110	1	CASE, GEAR - LOWER	INCLUDES ITEM 25
25	90010905010	1	SCREW 5X10	
26	V224000000	2	STUD BOLT 6	
27	90010905010	1	SCREW 5X10	
28	90060000005	1	WASHER	
29	90070600012	1	CIRCLIP 12	
30	9404206001	4	BEARING, BALL 6001	
31	V651000230	1	GEAR, BEVEL	
32	90070600012	1	CIRCLIP 12	
33	C534000180	1	SHAFT, GEAR	
34	V651000200	1	GEAR, BEVEL	
35	C200000000	1	TANK, OIL	
36	9110905016	2	SCREW 5X16	
37	90010905025	1	SCREW 5X25	
38	90060300005	3	WASHER	
39	13104528230	2	SPACER	
40	V354000010	1	COLLAR 6	
41	13131406320	1	VENT ASY	
42	P021000951	1	OIL CAP ASY	
43	X502000310	1	LABEL - ECHO	
44	43301639131	1	SCREW, ADJUSMENT ¹	Not Included In 90094 OILER/GEAR CASE ASY
45	43301403931	1	TENSIONER ¹	Not Included In 90094 OILER/GEAR CASE ASY

Footnotes

1: For Use With Standard Guide Bar (INTENZ Guide Bar Not Used)

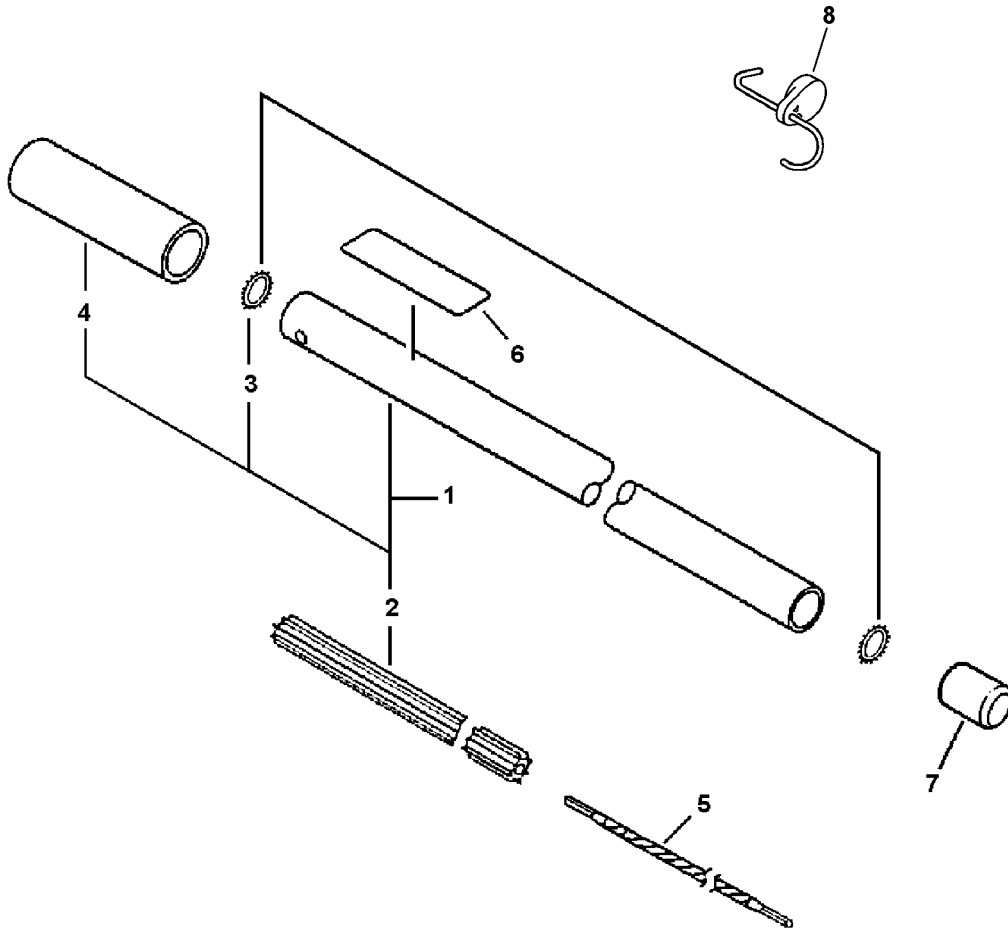


070 0001 000

ITEM	PART NUMBER	QTY	DESCRIPTION	REMARKS
1	90094	1	AUTO OILER/GEAR CASE ASY	INCLUDES ITEMS 2-43
2	C300000001	1	GUARD, SPROCKET	
3	43301903933	2	NUT 6	
4	V583000010	1	RING	
5	17501439131	2	WASHER	
6	C580000070	1	SPROCKET, DRIVE	
7	43700239130	1	AUTO-OILER ASY	INCLUDES ITEMS 8-14
8	12312715030	1	CLIP	
9	43701537330	1	SPRING, ADJUSTER	
10	43702937330	1	WASHER	
11	43701639130	1	ADJUSTER, OILER	
12	43701938330	1	SPRING, PLUNGER	
13	43702437330	1	PLUNGER ASY	
14	43706237330	1	CAP, OIL PUMP	
15	V470000180	1	PIPE, OIL OUTLET	
16	43724439130	1	PAD, FOAM	
17	13011014330	1	PIPE, IMPULSE - 3X6X115mm	REPOWER BULK OPTION: 90015
18	13211501461	1	GROMMET	
19	43620502832	1	STRAINER, OIL	
20	90010905010	2	SCREW 5X10	
21	43706338330	1	GEAR, WORM	
22	C531000010	1	CASE, GEAR - UPPER	
23	90010905025	8	SCREW 5X25	
24	C051000110	1	CASE, GEAR - LOWER	INCLUDES ITEM 25
25	90010905010	1	SCREW 5X10	
26	V224000000	2	STUD BOLT 6	
27	90010905010	1	SCREW 5X10	
28	90060000005	1	WASHER	
29	90070600012	1	CIRCLIP 12	
30	9404206001	4	BEARING, BALL 6001	
31	V651000230	1	GEAR, BEVEL	
32	90070600012	1	CIRCLIP 12	
33	C534000400	1	SHAFT, GEAR	
34	V651000201	1	GEAR, BEVEL	
35	C200000000	1	TANK, OIL	
36	9110905016	2	SCREW 5X16	
37	90010905025	1	SCREW 5X25	
38	90060300005	3	WASHER	
39	13104528230	2	SPACER	
40	V354000010	1	COLLAR 6	
41	13131406320	1	VENT ASY	
42	P021000951	1	OIL CAP ASY	
43	X502000310	1	LABEL - ECHO	
44	43301639131	1	SCREW, ADJUSMENT ¹	Not Included In 90094 OILER/GEAR CASE ASY
45	43301403931	1	TENSIONER ¹	Not Included In 90094 OILER/GEAR CASE ASY

Footnotes

1: For Use With Standard Guide Bar (INTENZ Guide Bar Not Used)



99944200530 000500

ITEM	PART NUMBER	QTY	DESCRIPTION	REMARKS
1	61020624560	1	MAIN PIPE ASY	INCLUDES ITEMS 2-4
2	61021724560	1	LINER	
3	90003800100	2	WASHER	
4	35101221560	1	GRIP, HANDLE	
5	61001324560	1	DRIVESHAFT - FLEXIBLE	
6	89016022060	1	LABEL, CAUTION	
7	35122301130	1	CAP, PROTECTIVE	
8	99944200630	1	PAS ATTACHMENT HANGER	INCLUDES 4 PER PACKAGE



Part Number Index

Click The Page Number After Any Part Number To View The Diagram Containing That Part.

<u>Part Number</u>	<u>Page</u>	<u>Part Number</u>	<u>Page</u>
123127150307, 9, 11, 13	V6510002309, 11, 13
130110143307, 9, 11, 13	X5020003107, 9, 11, 13
131045282307, 9, 11, 13		
131314063207, 9, 11, 13		
132115014617, 9, 11, 13		
175014391317, 9, 11, 13		
302810220605		
3510122156015		
3512230113015		
433001220605		
433004220605		
433010220605		
433014039317, 9, 11, 13		
433014220605		
433016391317, 9, 11, 13		
433019039337, 9, 11, 13		
436205028327, 9, 11, 13		
437002391307, 9, 11, 13		
437015373307, 9, 11, 13		
437016391307, 9, 11, 13		
437019383307, 9, 11, 13		
437024373307, 9, 11, 13		
437029373307, 9, 11, 13		
437062373307, 9, 11, 13		
437063383307, 9, 11, 13		
437244391307, 9, 11, 13		
6100132456015		
6102062456015		
6102172456015		
610309220605		
610309221605		
610311220605		
610460227605		
610509220605		
610990241605		
8901602206015		
900030002005		
900031501005		
900035004005		
9000380010015		
900040001005		
900053001005		
900053004005		
900054001005		
900057001005		
900060001005		
900109050107, 9, 11, 13		
900109050257, 9, 11, 13		
900600000057, 9, 11, 13		
900603000057, 9, 11, 13		
900706000127, 9, 11, 13		
900802060015		
900847		
900949, 11, 13		
91109050167, 9, 11, 13		
94042060017, 9, 11, 13		
9994420063015		
C0510001107, 9, 11, 13		
C2000000007, 9, 11, 13		
C3000000017, 9, 11, 13		
C5310000107, 9, 11, 13		
C5340001807, 9, 11		
C53400040013		
C5800000707, 9, 11, 13		
P0210009517, 9, 11, 13		
V2240000007, 9, 11, 13		
V3540000107, 9, 11, 13		
V4700001807, 9, 11, 13		
V5830000107, 9, 11, 13		
V6510000327		
V6510001117		
V6510002009, 11		
V65100020113		



Part Description Index

Click The Page Number After Any Part Description To View The Diagram Containing That Part.

A

ADJUSTER CHAIN.....5
 ADJUSTER, OILER.....7, 9, 11, 13
 AUTO OILER/GEAR CASE ASY.....7, 9, 11, 13
 AUTO-OILER ASY.....7, 9, 11, 13

B

BEARING, BALL.....5
 BEARING, BALL 6001.....7, 9, 11, 13
 BRACKET, GUIDE BAR.....5

C

CAP, OIL PUMP.....7, 9, 11, 13
 CAP, PROTECTIVE.....15
 CARRIAGE BOLT.....5
 CASE, GEAR - LOWER.....7, 9, 11, 13
 CASE, GEAR - UPPER.....7, 9, 11, 13
 CIRCLIP 12.....7, 9, 11, 13
 CLIP.....7, 9, 11, 13
 COLLAR 6.....7, 9, 11, 13
 COVER SPROCKET.....5
 CUTTING HEAD ASY.....5

D

DRIVESHAFT - FLEXIBLE.....15

F

FLANGE NUT.....5

G

GEAR CASE COVER KIT.....5
 GEAR, BEVEL.....7, 9, 11, 13
 GEAR, WORM.....7, 9, 11, 13
 GRIP, HANDLE.....15
 GROMMET.....7, 9, 11, 13
 GUARD, SPROCKET.....7, 9, 11, 13

H

HOUSING, GEAR CASE.....5

L

LABEL - ECHO.....7, 9, 11, 13
 LABEL, CAUTION.....15
 LINER.....15

M

MAIN PIPE ASY.....15

N

NUT.....5
 NUT 6.....7, 9, 11, 13

O

OIL CAP ASY.....7, 9, 11, 13

P

PAD, FOAM.....7, 9, 11, 13
 PAS ATTACHMENT HANGER.....15
 PINION, SHAFT.....5

PIPE, IMPULSE - 3X6X115mm.....7, 9, 11, 13
 PIPE, OIL OUTLET.....7, 9, 11, 13
 PLUNGER ASY.....7, 9, 11, 13

R

RING.....7, 9, 11, 13

S

SCREW.....5
 SCREW 5X10.....7, 9, 11, 13
 SCREW 5X16.....7, 9, 11, 13
 SCREW 5X25.....7, 9, 11, 13
 SCREW, ADJUSTMENT.....7, 9, 11, 13
 SHAFT, GEAR.....7, 9, 11, 13
 SHIM.....5
 SPACER.....7, 9, 11, 13
 SPRING, ADJUSTER.....7, 9, 11, 13
 SPRING, PLUNGER.....7, 9, 11, 13
 SPROCKET.....5
 SPROCKET COVER ASY.....5
 SPROCKET, DRIVE.....7, 9, 11, 13
 SPROCKET, GEAR.....5
 SPROCKET, SHAFT.....5
 STRAINER, OIL.....7, 9, 11, 13
 STUD BOLT 6.....7, 9, 11, 13

T

TANK, OIL.....7, 9, 11, 13
 TENSIONER.....7, 9, 11, 13

V

VENT ASY.....7, 9, 11, 13

W

WASHER.....7, 9, 11, 13, 15



ECHO, INCORPORATED
400 Oakwood Road
Lake Zurich, IL 60047 USA

WWW.ECHO-USA.COM
