



Accessories for ECHO products can be found at:  
*Los accesorios para los productos ECHO se pueden encontrar en:*  
[www.echo-usa.com/products/catalogs](http://www.echo-usa.com/products/catalogs)



**PARTS CATALOG**  
**LISTA DE PIEZAS**

**CS-400**  
**Chain Saw**  
CS-400 MOTOSIERRA



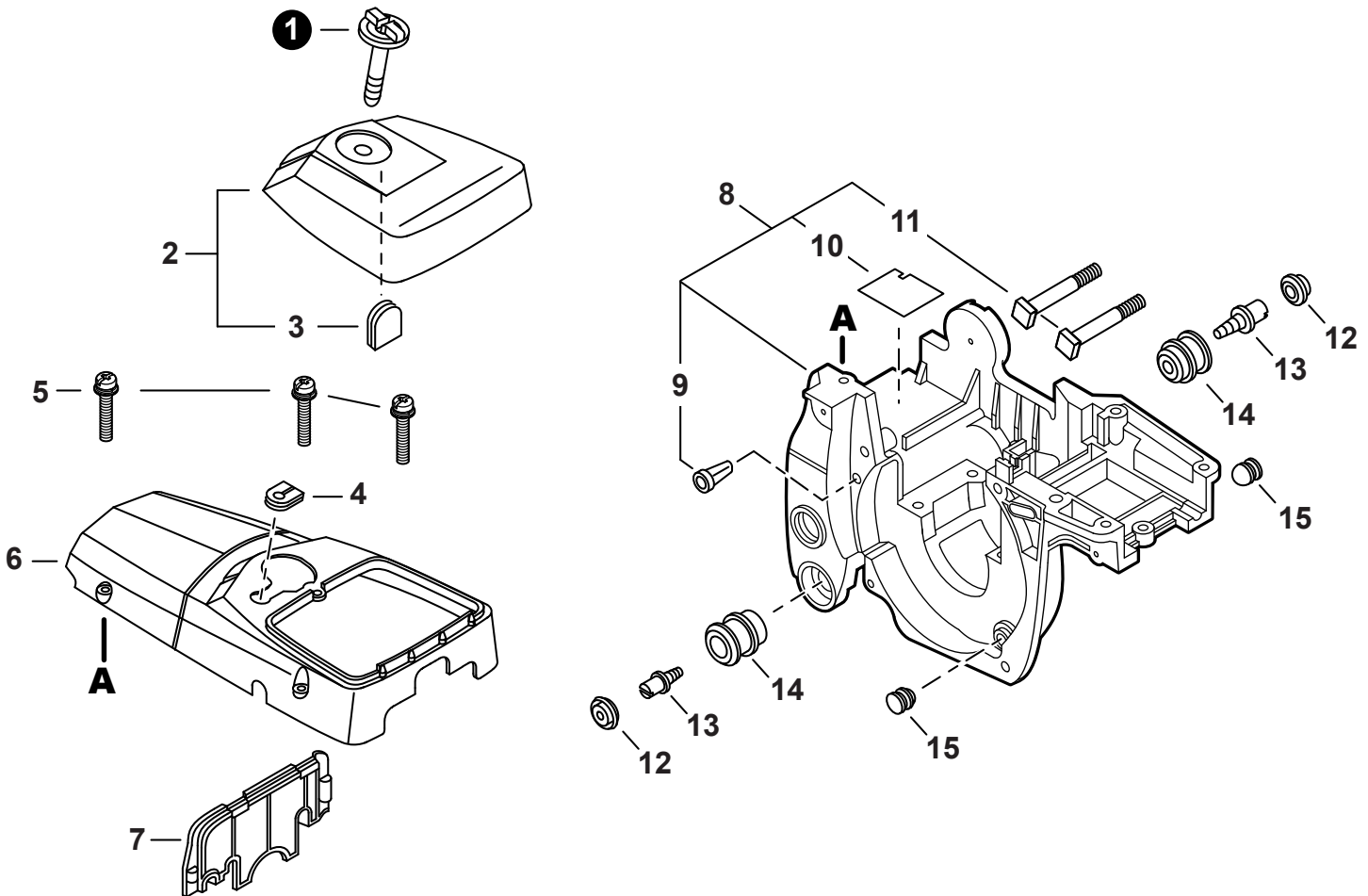
**40.2 cc**

**SERIAL NUMBER**  
NÚMERO DE SERIE

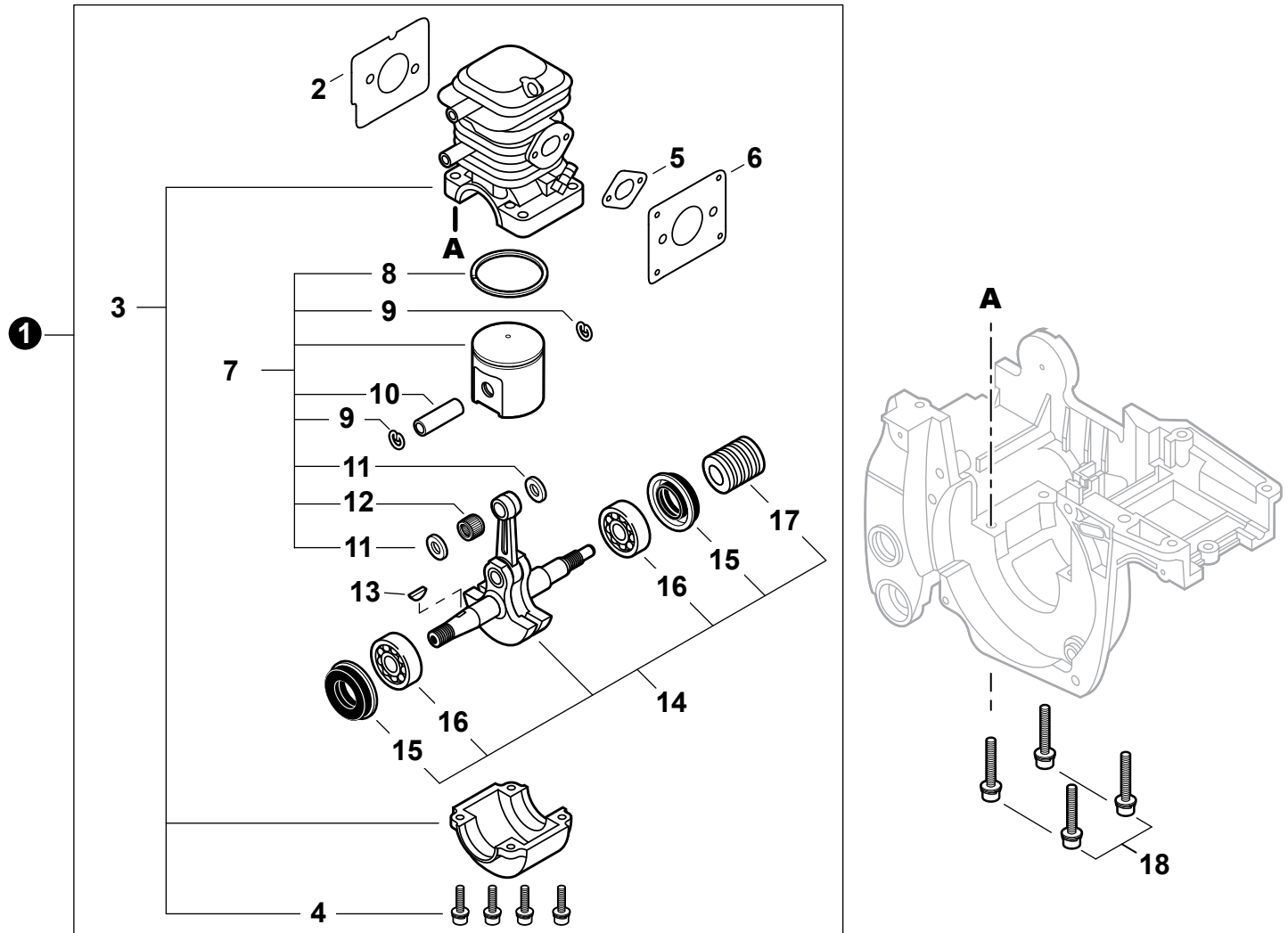
**C08111001001 - C08111999999**

**ECHO, INCORPORATED**  
400 Oakwood Road, Lake Zurich, Illinois 60047  
[WWW.ECHO-USA.COM](http://WWW.ECHO-USA.COM)

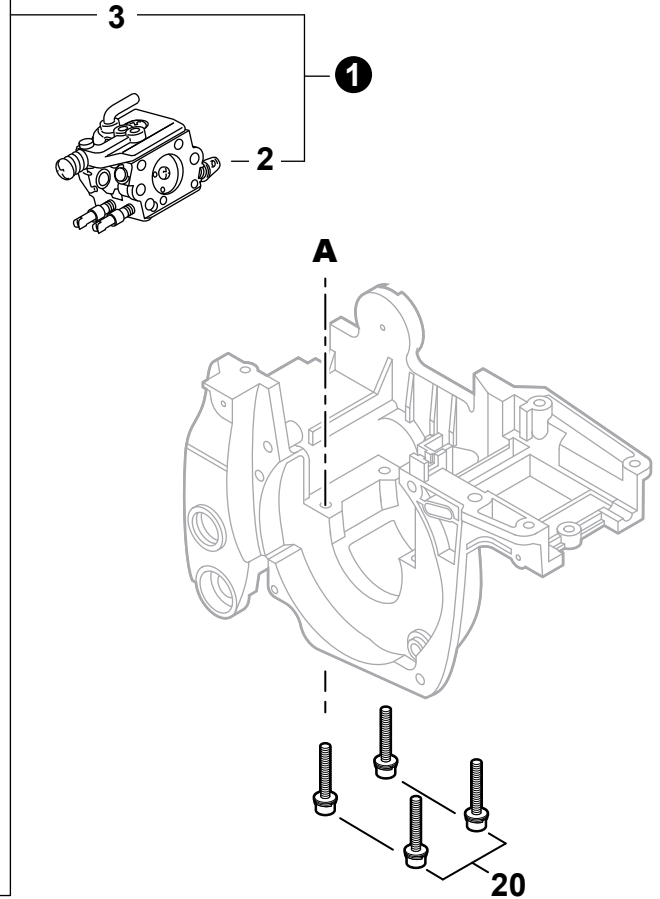
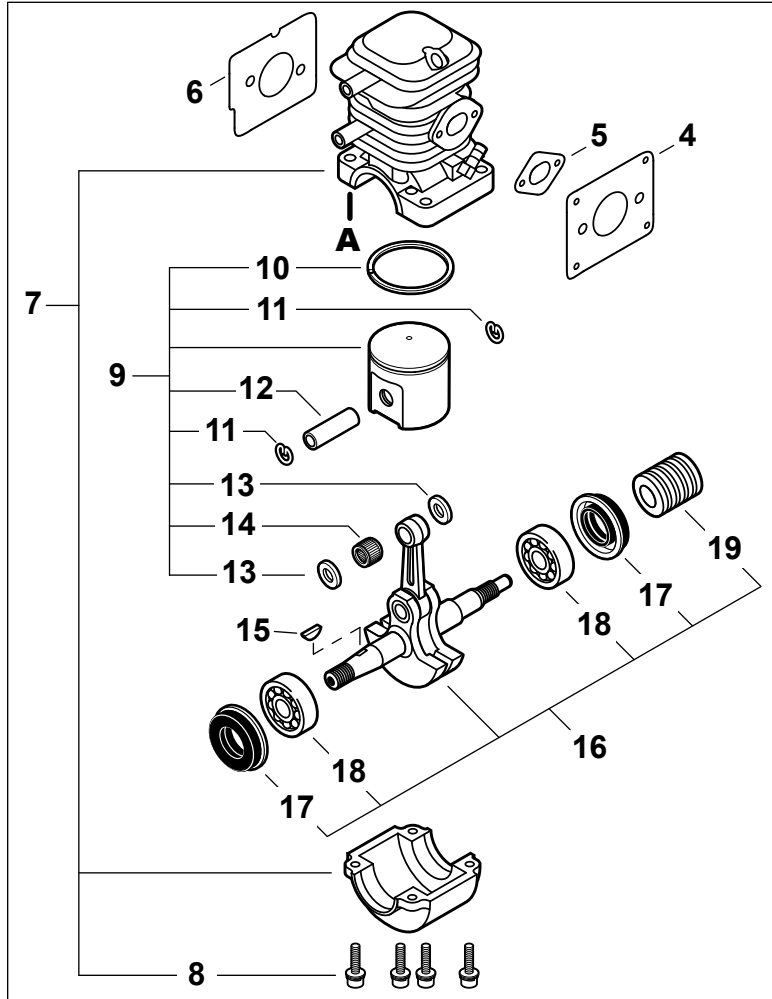
|   |           |  |           |
|---|-----------|--|-----------|
| <b>Engine Covers</b> .....                        | <b>3</b>  | <b>Ignition</b> .....                      | <b>14</b> |
| Cubiertas del motor                               |           | Encendido                                  |           |
| <b>Engine S/N C08111001001-C08111019800</b> ..... | <b>4</b>  | <b>Handles, Throttle Control</b> .....     | <b>15</b> |
| Motor N/S C08111001001-C08111019800               |           | Mangos, Control del Acelerador             |           |
| <b>Engine S/N C08111019801-C08111999999</b> ..... | <b>5</b>  | <b>Fuel System</b>                         |           |
| Motor N/S C08111019801-C08111999999               |           | <b>S/N C08111001001-C08111031800</b> ..... | <b>16</b> |
| <b>Carburetor</b>                                 |           | Sistema de combustible                     |           |
| <b>S/N C08111001001-C08111019800</b> .....        | <b>6</b>  | N/S C08111001001-C08111031800              |           |
| Carburador N/S C08111001001-C08111019800          |           | <b>Fuel System</b>                         |           |
| <b>Carburetor</b>                                 |           | <b>S/N C08111031801-C08111999999</b> ..... | <b>17</b> |
| <b>S/N C08111001001-C08111019800</b> .....        | <b>7</b>  | Sistema de combustible                     |           |
| Carburador N/S C08111001001-C08111019800          |           | N/S C08111031801-C08111999999              |           |
| <b>Carburetor</b>                                 |           | <b>Oil System</b> .....                    | <b>18</b> |
| <b>S/N C08111019801-C08111999999</b> .....        | <b>8</b>  | Sistema de aceite                          |           |
| Carburateur N/S C08111019801-C08111999999         |           | <b>Clutch</b> .....                        | <b>19</b> |
| <b>Carburetor</b>                                 |           | Embrague                                   |           |
| <b>S/N C08111019801-C08111999999</b> .....        | <b>9</b>  | <b>Tools</b> .....                         | <b>19</b> |
| Carburateur N/S C08111019801-C08111999999         |           | Herramientas                               |           |
| <b>Intake, Air Filter</b> .....                   | <b>10</b> | <b>Chain Brake</b> .....                   | <b>20</b> |
| Admisión, Filtro de aire                          |           | Freno de cadena                            |           |
| <b>Exhaust</b> .....                              | <b>11</b> | <b>Chain Brake</b> .....                   | <b>21</b> |
| Escape  |           | Freno de cadena                            |           |
| <b>Recoil Starter</b>                             |           | <b>Labels</b> .....                        | <b>22</b> |
| <b>S/N C08111001001-C08111027700</b> .....        | <b>12</b> | Etiquetas                                  |           |
| Arrancador Autorretráctil                         |           | <b>Chain, Guide Bar</b> .....              | <b>23</b> |
| N/S C08111001001-C08111027700                     |           | Cadena, Guía de barra                      |           |
| <b>Recoil Starter</b>                             |           | <b>RePower Maintenance Kits</b> .....      | <b>23</b> |
| <b>S/N C08111027701-C08111999999</b> .....        | <b>13</b> | Juegos de mantenimiento RePower            |           |
| Arrancador Autorretráctil                         |           |  |           |
| N/S C08111027701-C08111999999                     |           |  |           |



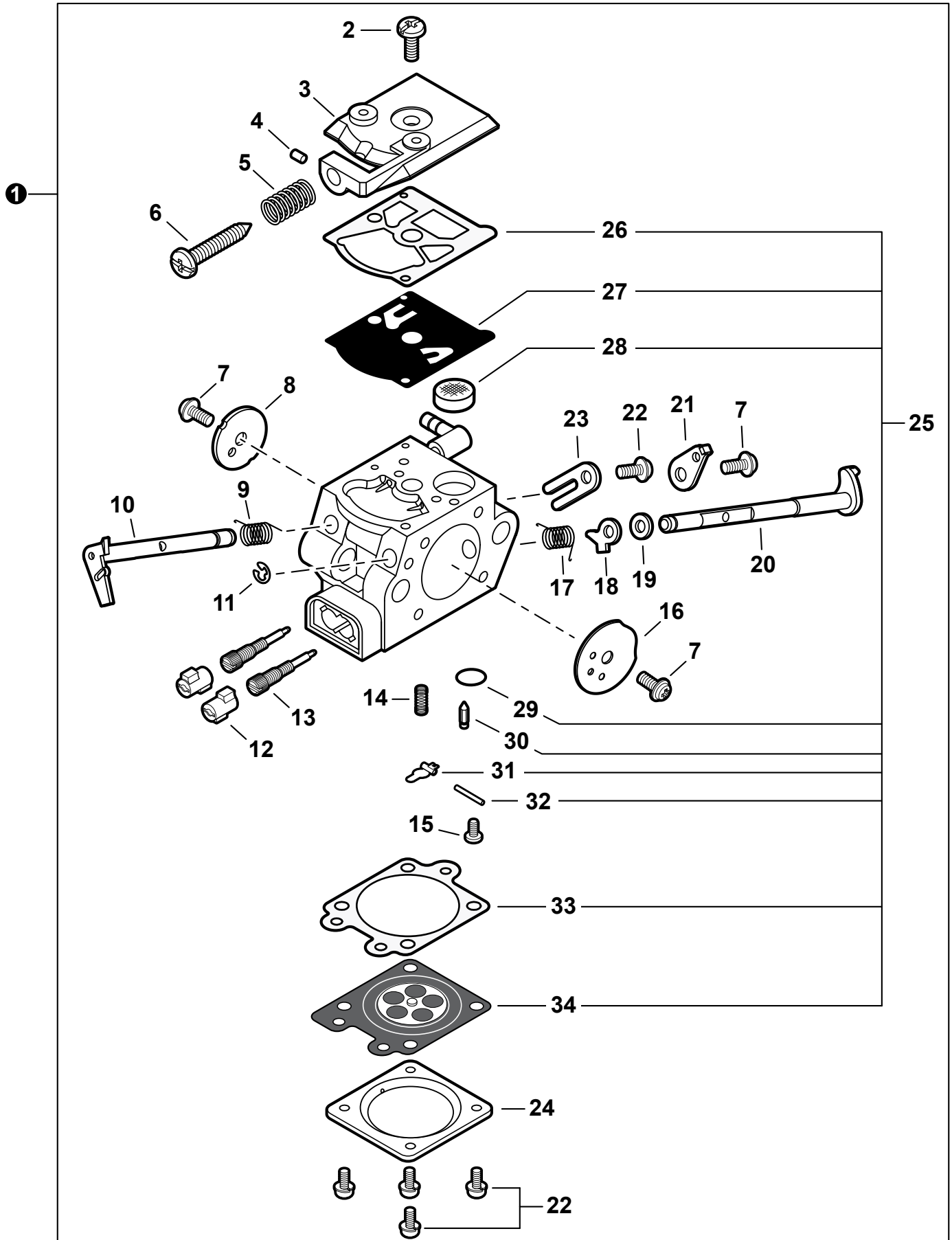
| NO. | PART NUMBER | QTY. | DESCRIPTION            | DESCRIPCIÓN                           |
|-----|-------------|------|------------------------|---------------------------------------|
| 1   | A235000020  | 1    | THUMBSCREW             | TORNILLO DE OREJETAS                  |
| 2   | P021007151  | 1    | COVER ASSY, AIR FILTER | MONTAJE DE CUBIERTA DE FILTRO DE AIRE |
| 3   | 13033832430 | 1    | +GROMMET               | +OJAL                                 |
| 4   | V135000010  | 1    | GROMMET, HT            | OJAL                                  |
| 5   | 90023805020 | 3    | SCREW 5×20             | TORNILLO 5×20                         |
| 6   | A160000763  | 1    | COVER, ENGINE          | CUBIERTA DEL MOTOR                    |
| 7   | A209000000  | 1    | PLATE, INSULATOR       | PLACA AISLANTE                        |
| 8   | P021016441  | 1    | COVER ASSY, ENGINE     | MONTAJE DE CUBIERTA DEL MOTOR         |
| 9   | 43611413930 | 1    | +VENT ASSY             | +VÁLVULA DE RESPIRADERO               |
| 10  | V341000050  | 1    | +SHIELD, HEAT          | +PROTECTOR TÉRMICO                    |
| 11  | 43301119830 | 2    | +STUD, GUIDE BAR 8     | +PERNO PRISIONERO 8                   |
| 12  | 10091815130 | 2    | CAP, CUSHION           | TAPA DE AMORTIGUADOR                  |
| 13  | 10091533930 | 2    | SCREW 5                | TORNILLO 5                            |
| 14  | 10091060030 | 2    | CUSHION 5              | AMORTIGUADOR 5                        |
| 15  | V420001250  | 2    | CUSHION                | AMORTIGUADOR                          |



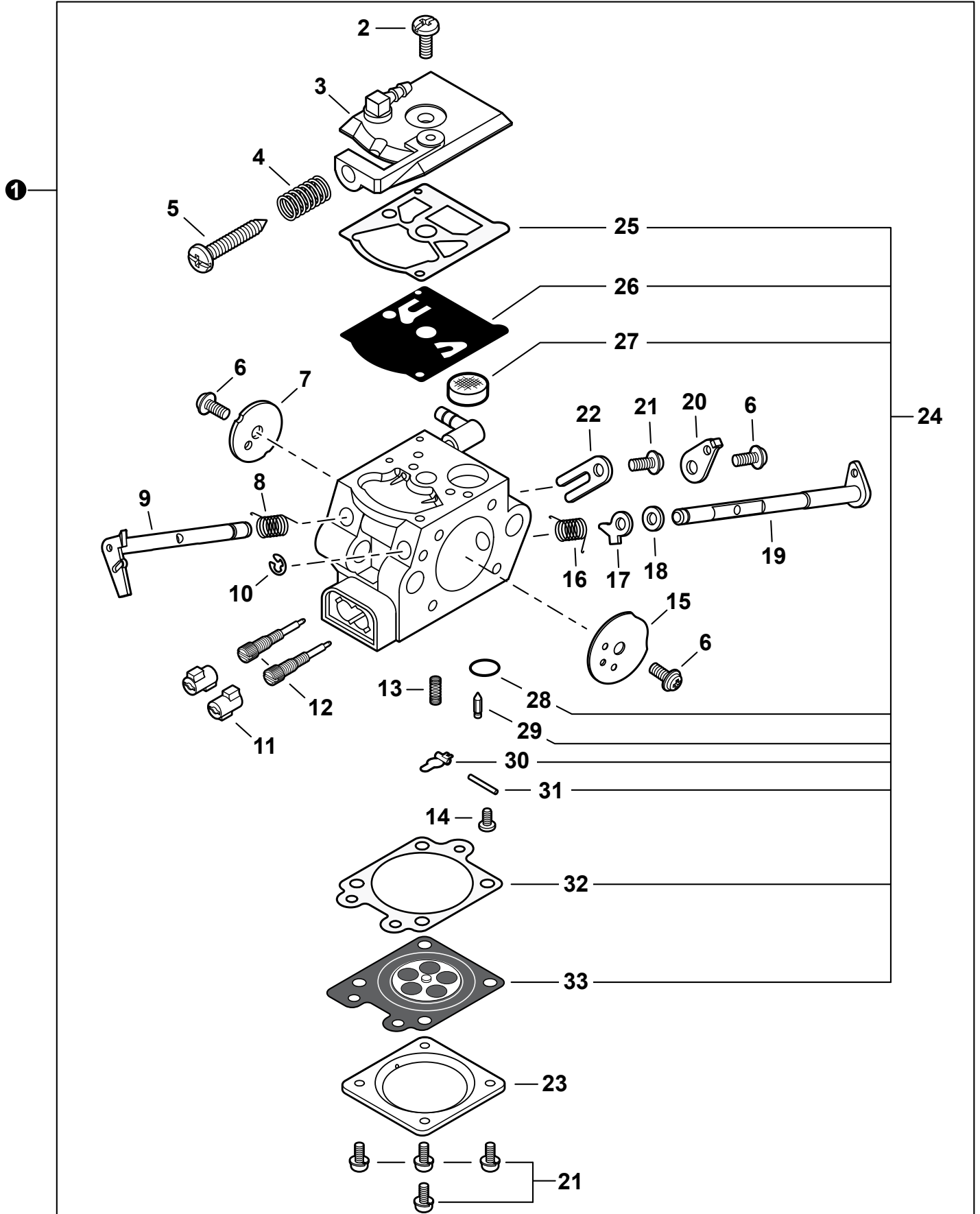
| NO. | PART NUMBER | QTY. | DESCRIPTION                | DESCRIPCIÓN                     |
|-----|-------------|------|----------------------------|---------------------------------|
| 1   | SB1089      | 1    | SHORT BLOCK                | MEDIO MOTOR                     |
| 2   | V104000731  | 1    | +GASKET, EXHAUST           | +EMPAQUETADURA DE ESCAPE        |
| 3   | P021010574  | 1    | +CRANKCASE KIT             | +JUEGO DE CÁRTER                |
| 4   | 90016205022 | 4    | ++BOLT 5×22                | ++PERNO 5×22                    |
| 5   | V103000290  | 1    | +GASKET, INTAKE            | +EMPAQUETADURA DE ADMISIÓN      |
| 6   | V103000280  | 1    | +GASKET, INTAKE            | +EMPAQUETADURA DE ADMISIÓN      |
| 7   | P021010581  | 1    | +PISTON KIT                | +JUEGO DE PISTÓN                |
| 8   | A101000160  | 1    | ++RING, PISTON             | ++ANILLO DEL PISTÓN             |
| 9   | 10001503931 | 2    | ++RING, SNAP               | ++ANILLO RETENEDOR              |
| 10  | V607000000  | 1    | ++PIN, PISTON 9×6×33.8     | ++PASADOR DEL PISTÓN 9×6×33.8   |
| 11  | 10001453630 | 2    | ++WASHER, THRUST 9×12×15×3 | ++ARANDELA DE EMPUJE 9×12×15×3  |
| 12  | 10001216131 | 1    | ++BEARING, NEEDLE 9        | ++COJINETE DE AGUJAS 9          |
| 13  | 10014212330 | 1    | +KEY, WOODRUFF             | +CHAVETA                        |
| 14  | P021009840  | 1    | +CRANKSHAFT ASSY           | +MONTAJE DE CIGÜEÑAL            |
| 15  | V505000010  | 2    | ++SEAL, OIL 12             | ++SELLO DE ACEITE 12            |
| 16  | 90088836201 | 2    | ++BEARING, BALL 6201       | ++COJINETE DE BALINES 6201      |
| 17  | V652000010  | 1    | ++GEAR, WORM               | ++ENGRANAJE DE TORNILLO SIN FIN |
| 18  | 90016205030 | 4    | BOLT 5×30                  | PERNO 5×30                      |



| NO. | PART NUMBER | QTY. | DESCRIPTION                       | DESCRIPCIÓN                      |
|-----|-------------|------|-----------------------------------|----------------------------------|
| 1   | SB1100      | 1    | SHORT BLOCK AND CARBURETOR WT-985 | MEDIO MOTOR Y CARBURADOR WT-985  |
| 2   | A021001920  | 1    | +CARBURETOR WT-985                | +CARBURADOR WT-985               |
| 3   | SB1101      | 1    | +SHORT BLOCK                      | +MEDIO MOTOR                     |
| 4   | V103000280  | 1    | ++GASKET, INTAKE                  | ++EMPAQUETADURA DE ADMISIÓN      |
| 5   | V103000290  | 1    | ++GASKET, INTAKE                  | ++EMPAQUETADURA DE ADMISIÓN      |
| 6   | V104000732  | 1    | ++GASKET, EXHAUST                 | ++EMPAQUETADURA DE ESCAPE        |
| 7   | P021017360  | 1    | ++CRANKCASE KIT                   | ++JUEGO DE CÁRTER                |
| 8   | 90016205022 | 4    | +++BOLT 5×22                      | +++PERNO 5×22                    |
| 9   | P021036520  | 1    | ++PISTON KIT                      | ++JUEGO DE PISTÓN                |
| 10  | A101000160  | 1    | +++RING, PISTON                   | +++ANILLO DEL PISTÓN             |
| 11  | 10001503931 | 2    | +++RING, SNAP                     | +++ANILLO RETENEDOR              |
| 12  | V607000000  | 1    | +++PIN, PISTON 9×6×33.8           | +++PASADOR DEL PISTÓN 9×6×33.8   |
| 13  | 10001453630 | 2    | +++WASHER, THRUST 9×12×15×3       | +++ARANDELA DE EMPUJE 9×12×15×3  |
| 14  | 10001216131 | 1    | +++BEARING, NEEDLE 9              | +++COJINETE DE AGUJAS 9          |
| 15  | 10014212330 | 1    | ++KEY, WOODRUFF                   | ++CHAVETA                        |
| 16  | P021009840  | 1    | ++CRANKSHAFT ASSY                 | ++MONTAJE DE CIGÜEÑAL            |
| 17  | V505000010  | 2    | +++SEAL, OIL 12                   | +++SELLO DE ACEITE 12            |
| 18  | 90088836201 | 2    | +++BEARING, BALL 6201             | +++COJINETE DE BALINES 6201      |
| 19  | V652000010  | 1    | +++GEAR, WORM                     | +++ENGRANAJE DE TORNILLO SIN FIN |
| 20  | 90016205030 | 4    | BOLT 5×30                         | PERNO 5×30                       |



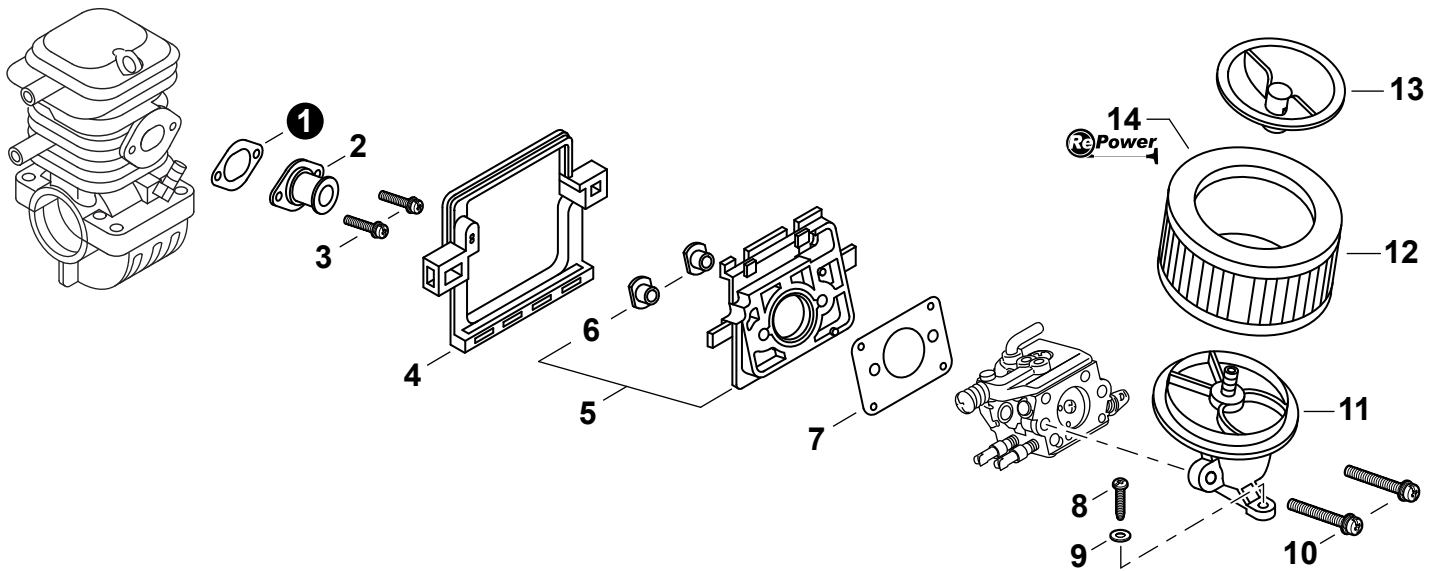
| NO. | PART NUMBER | QTY. | DESCRIPTION                    | DESCRIPCIÓN                               |
|-----|-------------|------|--------------------------------|---|
| 1   | A021001310  | 1    | CARBURETOR - WT-820            | CARBURADOR - WT-820                       |
| 2   | 12311003930 | 1    | +SCREW                         | +TORNILLO                                 |
| 3   | 12312438330 | 1    | +COVER, FUEL PUMP              | +CUBIERTA DE LA BOMBA DE COMBUSTIBLE      |
| 4   | 12317815030 | 1    | +PLUG, FRICTION                | +TAPÓN DE FRICCIÓN                        |
| 5   | 12313304260 | 1    | +SPRING, IDLE ADJUST           | +RESORTE PARA AJUSTAR EL RALENTÍ          |
| 6   | 12313404260 | 1    | +SCREW, IDLE ADJUST            | +TORNILLO PARA AJUSTAR EL RALENTI         |
| 7   | 12311403930 | 3    | +SCREW                         | +TORNILLO                                 |
| 8   | 12311610530 | 1    | +VALVE, THROTTLE               | +VÁLVULA DEL ACELERADOR                   |
| 9   | 12311337530 | 1    | +SPRING, THROTTLE RETURN       | +RESORTE DEL ACELERADOR                   |
| 10  | P003001810  | 1    | +SHAFT, THROTTLE               | +EJE DEL ACELERADOR                       |
| 11  | 12312715030 | 1    | +E-RING                        | +RETENEDOR TIPO "E"                       |
| 12  | P003000010  | 2    | +CAP, LIMITER                  | +PROTECTOR DE TORNILLO                    |
| 13  | 12312003661 | 2    | +NEEDLE, MIXTURE               | +AGUJA DE REGULACION                      |
| 14  | 12312239330 | 1    | +SPRING, METERING LEVER        | +RESORTE PALANCA DE MEDICIÓN              |
| 15  | 12313903930 | 1    | +SCREW, METERING LEVER PIN     | +TORNILLO PASADOR DE PALANCA DE MEDICIÓN  |
| 16  | P003001790  | 1    | +VALVE, CHOKE                  | +VÁLVULA ESTRANGULADOR                    |
| 17  | P003000140  | 1    | +SPRING, CHOKE RETURN          | +RESORTE RETORNADOR ESTRANGULADOR         |
| 18  | P003001510  | 1    | +LEVER, FAST IDLE              | +PALANCA DE RALENTÍ RÁPIDO                |
| 19  | 12314926030 | 1    | +WASHER                        | +ARANDELA                                 |
| 20  | P003000150  | 1    | +SHAFT, CHOKE                  | +EJE DEL ESTRANGULADOR                    |
| 21  | P003001780  | 1    | +LEVER, THROTTLE               | +PALANCA DE ACELERADOR                    |
| 22  | 12313002960 | 5    | +SCREW                         | +TORNILLO                                 |
| 23  | 12312703930 | 1    | +CLIP, THROTTLE SHAFT          | +SUJETADOR DE EJE DEL ACELERADOR          |
| 24  | 12314203930 | 1    | +COVER, METERING DIAPHRAGM     | +TAPA DE DIAFRAGMA DE MEDICIÓN            |
| 25  | P033000030  | 1    | <b>+REPAIR KIT, CARBURETOR</b> | <b>+JUEGO DE REPARACIÓN DE CARBURADOR</b> |
| 26  |             | 1    | ++GASKET, PUMP                 | ++EMPAQUETADURA DE LA BOMBA               |
| 27  |             | 1    | ++DIAPHRAGM, PUMP              | ++DIAFRAGMA DE LA BOMBA                   |
| 28  |             | 1    | ++SCREEN, INLET                | ++MALLA FILTRADORA                        |
| 29  |             | 1    | ++PLUG, WELCH                  | ++TAPÓN WELCH                             |
| 30  |             | 1    | ++VALVE, INLET NEEDLE          | ++VÁLVULA REGULADORA                      |
| 31  |             | 1    | ++LEVER, METERING              | ++PALANCA DE MEDICIÓN                     |
| 32  |             | 1    | ++PIN, METERING LEVER          | ++PASADOR DE PALANCA DE MEDICIÓN          |
| 33  |             | 1    | ++GASKET, METERING DIAPHRAGM   | ++EMPAQUETADURA DIAFRAGMA DE MEDICIÓN     |
| 34  |             | 1    | ++DIAPHRAGM, METERING          | ++DIAFRAGMA DE MEDICIÓN                   |



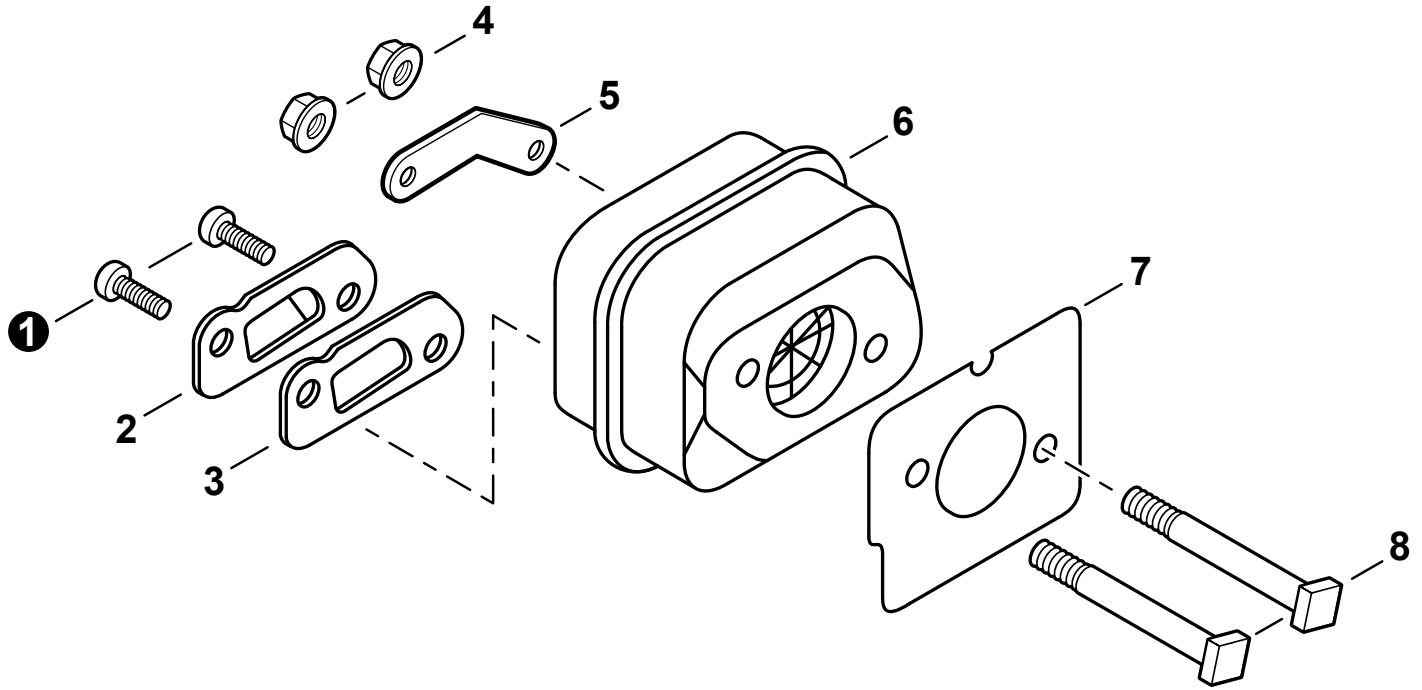




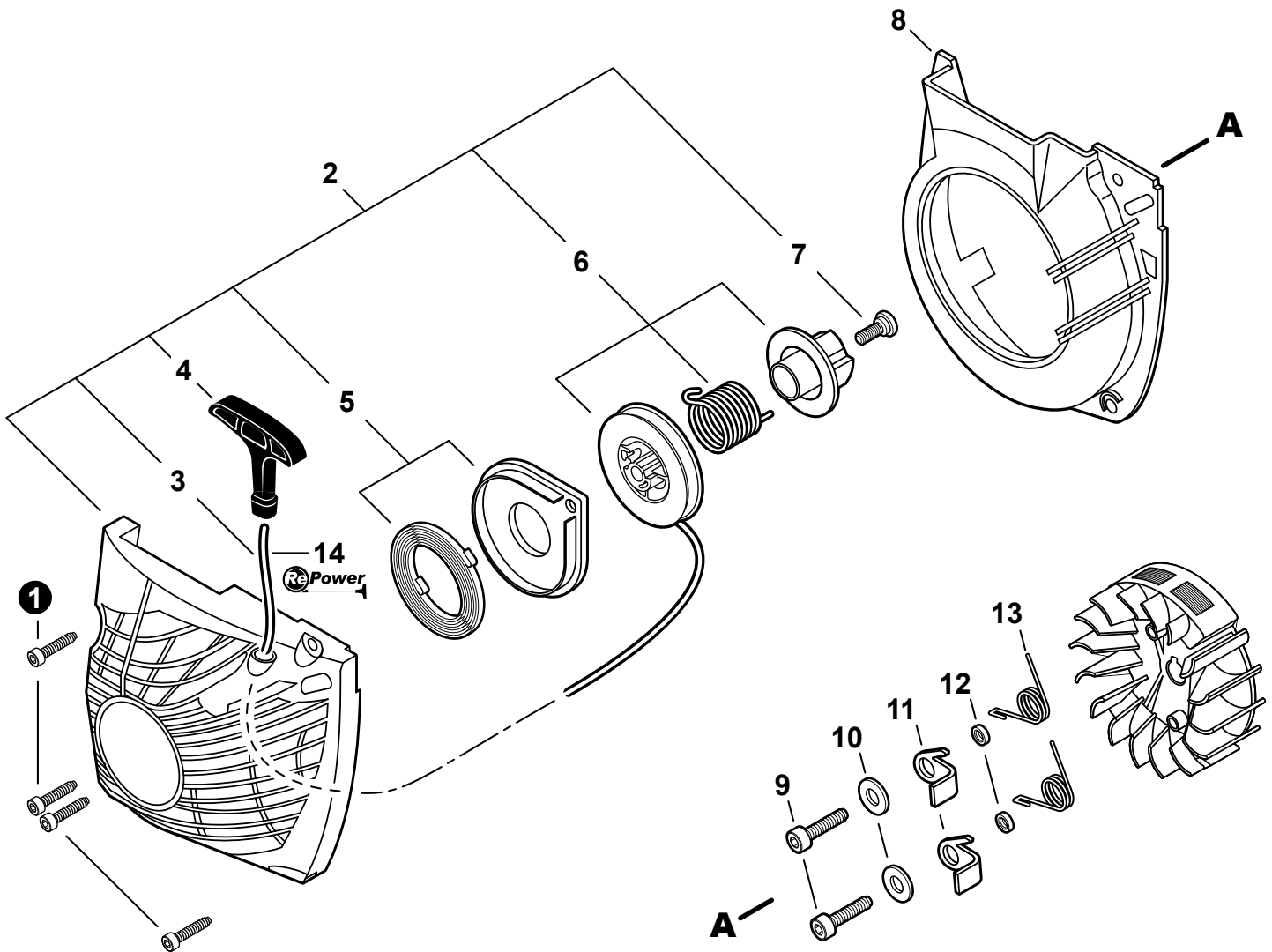
| NO. | PART NUMBER | QTY. | DESCRIPTION                    | DESCRIPCIÓN                               |
|-----|-------------|------|--------------------------------|---|
| 1   | A021001921  | 1    | CARBURETOR WT-985              | CARBURADOR WT-985                         |
| 2   | 12311003930 | 1    | +SCREW                         | +TORNILLO                                 |
| 3   | P003003930  | 1    | +COVER, FUEL PUMP              | +CUBIERTA DE LA BOMBA DE COMBUSTIBLE      |
| 4   | 12313304260 | 1    | +SPRING, IDLE ADJUST           | +RESORTE PARA AJUSTAR EL RALENTÍ          |
| 5   | 12313404260 | 1    | +SCREW, IDLE ADJUST            | +TORNILLO PARA AJUSTAR EL RALENTI         |
| 6   | 12311403930 | 3    | +SCREW                         | +TORNILLO                                 |
| 7   | 12311610530 | 1    | +VALVE, THROTTLE               | +VÁLVULA DEL ACELERADOR                   |
| 8   | 12311337530 | 1    | +SPRING, THROTTLE RETURN       | +RESORTE DEL ACELERADOR                   |
| 9   | P003001810  | 1    | +SHAFT, THROTTLE               | +EJE DEL ACELERADOR                       |
| 10  | 12312715030 | 1    | +E-RING                        | +RETENEDOR TIPO "E"                       |
| 11  | P003000010  | 2    | +CAP, LIMITER                  | +PROTECTOR DE TORNILLO                    |
| 12  | 12312003661 | 2    | +NEEDLE, MIXTURE               | +AGUJA DE REGULACION                      |
| 13  | 12312239330 | 1    | +SPRING, METERING LEVER        | +RESORTE PALANCA DE MEDICIÓN              |
| 14  | 12313903930 | 1    | +SCREW, METERING LEVER PIN     | +TORNILLO PASADOR DE PALANCA DE MEDICIÓN  |
| 15  | P003001790  | 1    | +VALVE, CHOKE                  | +VÁLVULA ESTRANGULADOR                    |
| 16  | P003000140  | 1    | +SPRING, CHOKE RETURN          | +RESORTE RETORNADOR ESTRANGULADOR         |
| 17  | P003001510  | 1    | +LEVER, FAST IDLE              | +PALANCA DE RALENTÍ RÁPIDO                |
| 18  | 12314926030 | 1    | +WASHER                        | +ARANDELA                                 |
| 19  | P003000150  | 1    | +SHAFT, CHOKE                  | +EJE DEL ESTRANGULADOR                    |
| 20  | P003001780  | 1    | +LEVER, THROTTLE               | +PALANCA DE ACELERADOR                    |
| 21  | 12313002960 | 5    | +SCREW                         | +TORNILLO                                 |
| 22  | 12312703930 | 1    | +CLIP, THROTTLE SHAFT          | +SUJETADOR DE EJE DEL ACELERADOR          |
| 23  | 12314203930 | 1    | +COVER, METERING DIAPHRAGM     | +TAPA DE DIAFRAGMA DE MEDICIÓN            |
| 24  | P033000030  | 1    | <b>+REPAIR KIT, CARBURETOR</b> | <b>+JUEGO DE REPARACIÓN DE CARBURADOR</b> |
| 25  |             | 1    | ++GASKET, PUMP                 | ++EMPAQUETADURA DE LA BOMBA               |
| 26  |             | 1    | ++DIAPHRAGM, PUMP              | ++DIAFRAGMA DE LA BOMBA                   |
| 27  |             | 1    | ++SCREEN, INLET                | ++MALLA FILTRADORA                        |
| 28  |             | 1    | ++PLUG, WELCH                  | ++TAPÓN WELCH                             |
| 29  |             | 1    | ++VALVE, INLET NEEDLE          | ++VÁLVULA REGULADORA                      |
| 30  |             | 1    | ++LEVER, METERING              | ++PALANCA DE MEDICIÓN                     |
| 31  |             | 1    | ++PIN, METERING LEVER          | ++PASADOR DE PALANCA DE MEDICIÓN          |
| 32  |             | 1    | ++GASKET, METERING DIAPHRAGM   | ++EMPAQUETADURA DIAFRAGMA DE MEDICIÓN     |
| 33  |             | 1    | ++DIAPHRAGM, METERING          | ++DIAFRAGMA DE MEDICIÓN                   |



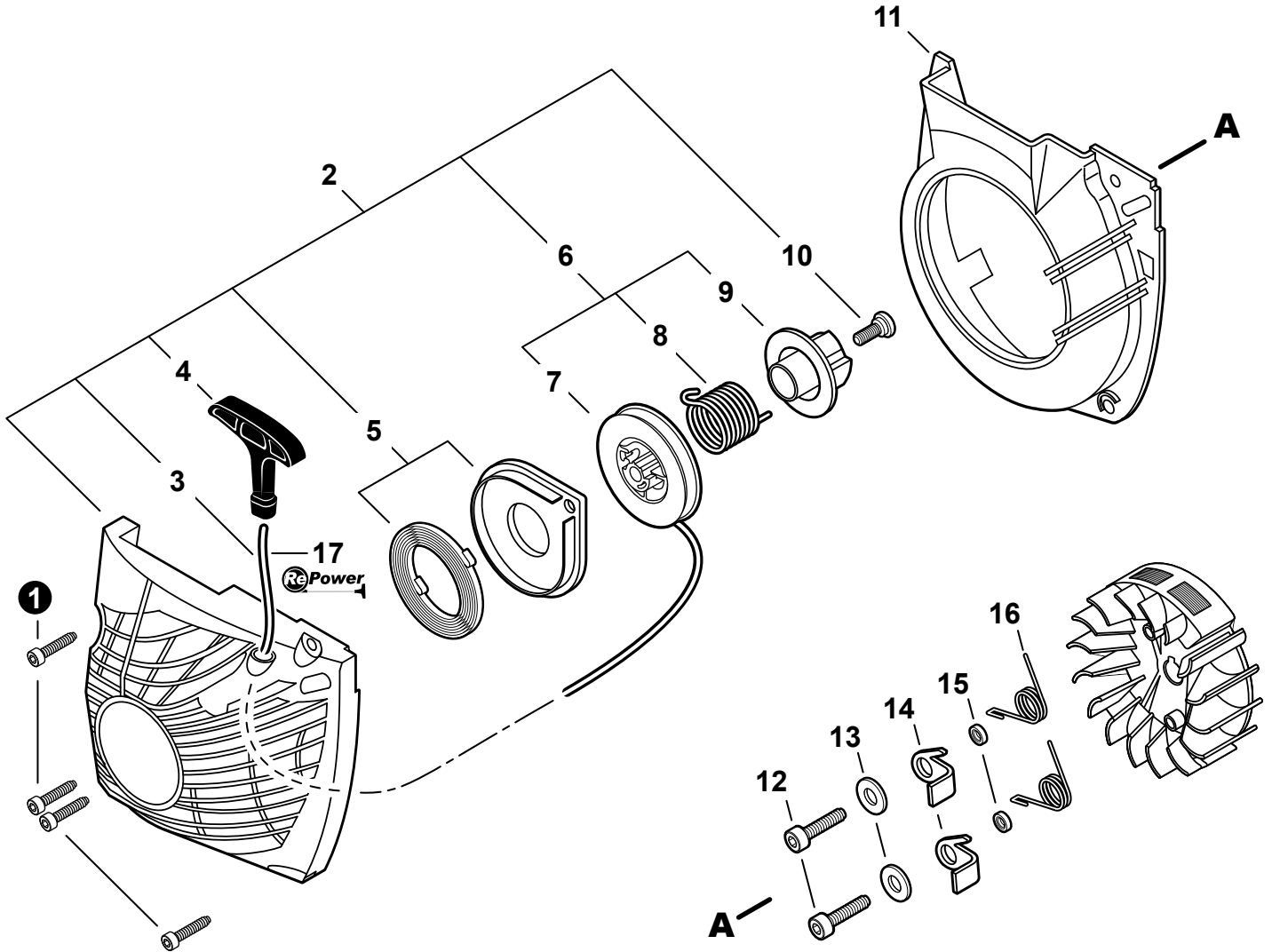
| NO. | PART NUMBER        | QTY. | DESCRIPTION                  | DESCRIPCIÓN                              |
|-----|--------------------|------|------------------------------|--|
| 1   | V103000290         | 1    | GASKET, INTAKE               | EMPAQUETADURA DE ADMISIÓN                |
| 2   | A202000060         | 1    | BELLOWS, INTAKE              | FUELLE DE ADMISIÓN                       |
| 3   | 90023805014        | 2    | SCREW 5×14                   | TORNILLOS 5×14                           |
| 4   | V420001420         | 1    | CUSHION                      | AMORTIGUADOR                             |
| 5   | <b>13000739931</b> | 1    | <b>INSULATOR SET, INTAKE</b> | <b>JUEGO DE AISLADOR DE ADMISIÓN</b>     |
| 6   | 13002033330        | 2    | +NUT 5                       | +TUERCA 5                                |
| 7   | V103000280         | 1    | GASKET, INTAKE               | EMPAQUETADURA DE ADMISIÓN                |
| 8   | 90025305020        | 1    | SCREW 5×20                   | TORNILLO 5×20                            |
| 9   | 90060000005        | 1    | WASHER, FLAT 5.5×10×0.8      | ARANDELA 5.5×10×0.8                      |
| 10  | 90023805050        | 2    | SCREW 5×50                   | TORNILLO 5×50                            |
| 11  | 13030139935        | 1    | ADAPTOR, INTAKE              | ADAPTADOR DE ADMISIÓN                    |
| 12  | 13030039730        | 1    | FILTER, HEAVY DUTY AIR       | FILTRO DE AIRE - SERVICIO PESADO         |
| 13  | 13040538332        | 1    | CAP, AIR FILTER              | TAPA DE FILTRO DE AIRE                   |
| 14  | <b>90109</b>       | 1    | <b>TUNE-UP KIT - REPOWER</b> | <b>JUEGO DE PUESTA A PUNTO - REPOWER</b> |



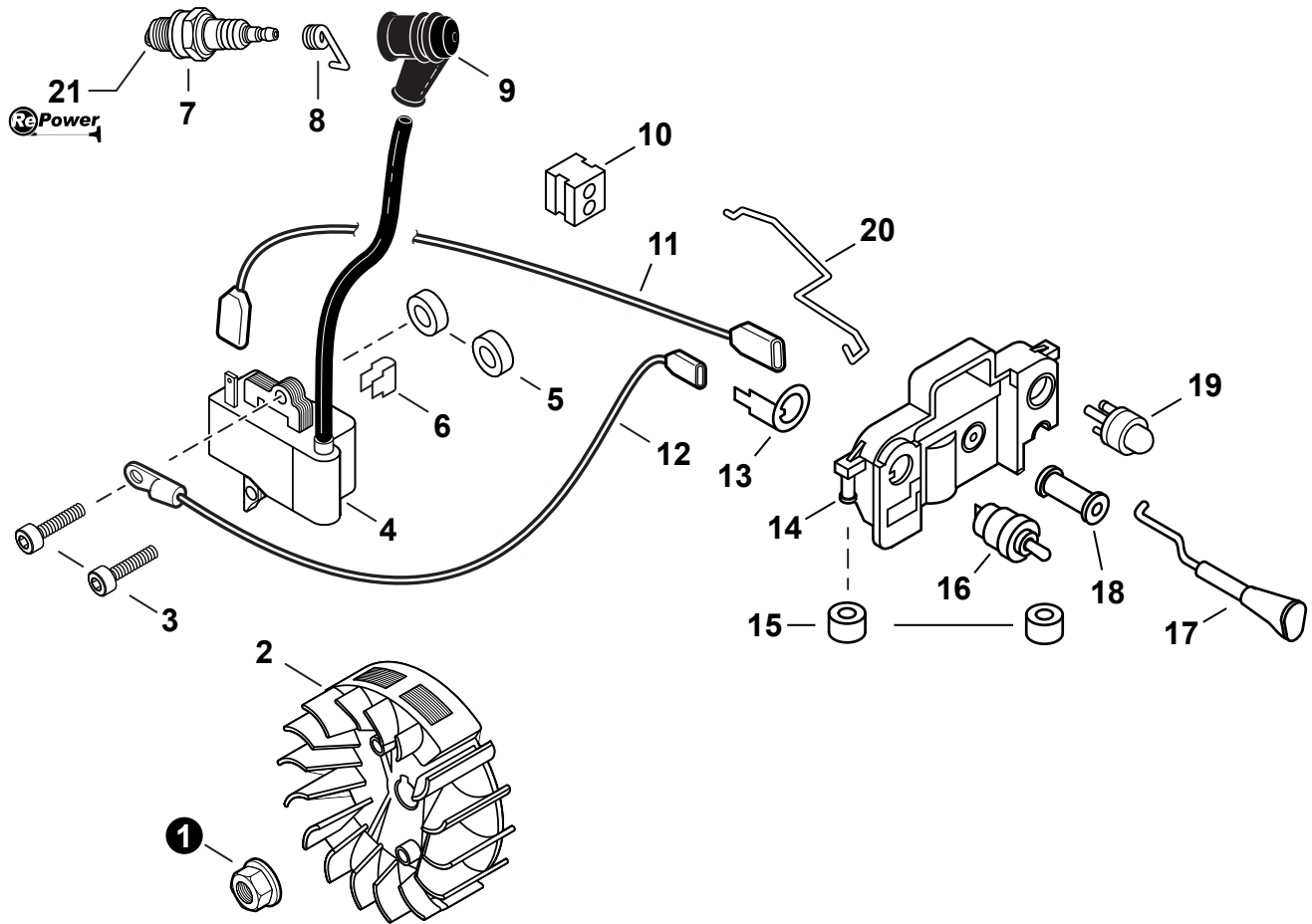
| NO. | PART NUMBER | QTY. | DESCRIPTION            | DESCRIPCIÓN                |
|-----|-------------|------|------------------------|----------------------------|
| 1   | 90022004008 | 2    | SCREW 4×8              | TORNILLO 4×8               |
| 2   | A313000810  | 1    | GUIDE, EXHAUST         | GUÍA DE ESCAPE             |
| 3   | A310000060  | 1    | SCREEN, SPARK ARRESTER | PANTALLA DEL GUARDACHISPAS |
| 4   | 90051600005 | 2    | NUT, FLANGE M5         | TUERCA-BRIDA M5            |
| 5   | V150001820  | 1    | PLATE, EYE             | PLACA OJO                  |
| 6   | A300000680  | 1    | MUFFLER                | SILENCIADOR                |
| 7   | V104000731  | 1    | GASKET, EXHAUST        | EMPAQUETADURA DE ESCAPE    |
| 8   | V203000220  | 2    | BOLT 5×62              | PERNO 5×62                 |



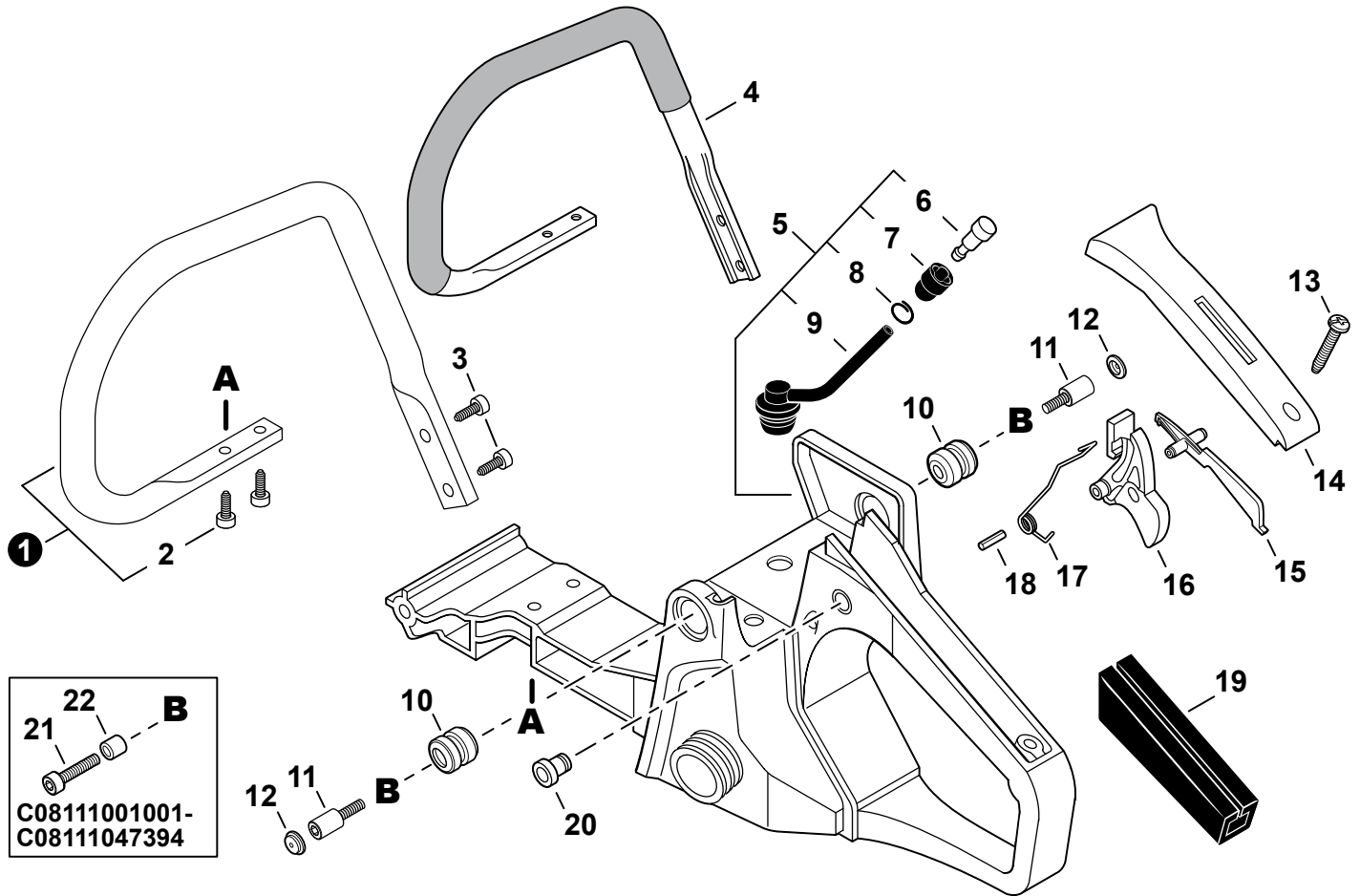
| NO. | PART NUMBER        | QTY. | DESCRIPTION                           | DESCRIPCIÓN                                       |
|-----|--------------------|------|---------------------------------------|---|
| 1   | 9114505020         | 4    | SCREW TAPPING 5x20                    | TORNILLO ROSCADOR 5x20                            |
| 2   | <b>A051000980</b>  | 1    | <b>STARTER ASSY, RECOIL - I-START</b> | <b>MONTAJE DE ARRANCADOR I-START</b>              |
| 3   | P022008440         | 1    | +ROPE, STARTER 3.5x900                | +CUERDA DEL ARRANCADOR 3.5x900                    |
| 4   | P022005890         | 1    | +GRIP, STARTER                        | +AGARRE DEL ARRANCADOR                            |
| 5   | P022010440         | 1    | +SPRING SET, RECOIL                   | +JUEGO DE RESORTE RECULAR                         |
| 6   | <b>P021039550</b>  | 1    | <b>+REEL KIT, ROPE</b>                | <b>+JUEGO DE CARRETE DEL CABLE</b>                |
| 7   | 17723661830        | 1    | +SCREW                                | +TORNILLO   |
| 8   | A172000571         | 1    | COVER, FAN                            | CUBIERTA DEL VENTILADOR                           |
| 9   | V203000090         | 2    | BOLT 5x14                             | PERNO 5x14  |
| 10  | 90060300005        | 2    | WASHER 5.5x12x0.8                     | ARANDELA 5.5x12x0.8                               |
| 11  | A514000050         | 2    | PAWL                                  | TRINQUETE   |
| 12  | 17724704630        | 2    | SPACER 5.2x8x2.1                      | ESPACIADOR 5.2x8x2.1                              |
| 13  | 17723435430        | 2    | SPRING, TORSION                       | RESORTE DE TORSIÓN                                |
| 14  | <b>99944445000</b> | 1    | <b>ROPE, STARTER - REPOWER BULK</b>   | <b>CUERDA DEL ARRANCADOR REPOWER AL POR MAYOR</b> |



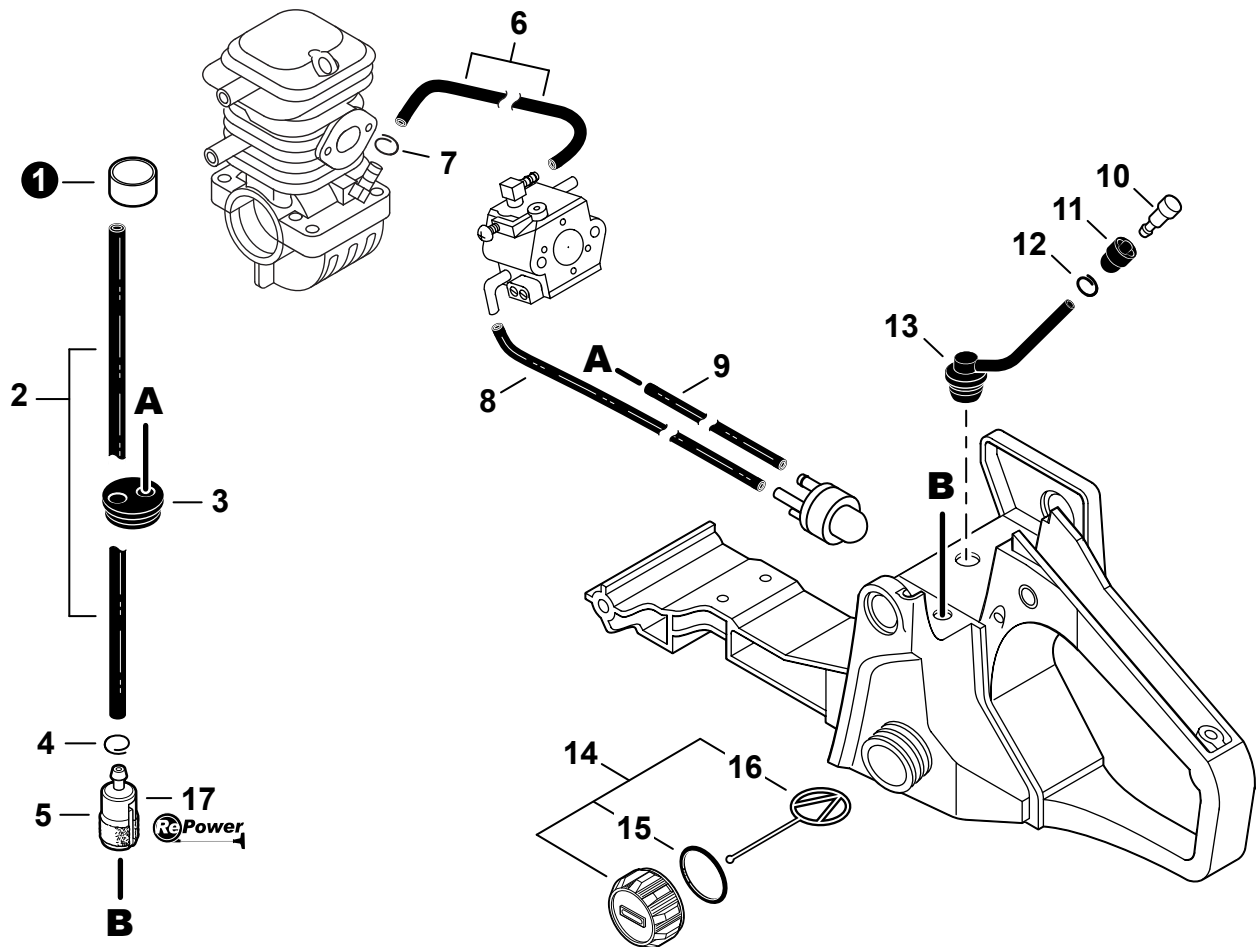
| NO. | PART NUMBER | QTY. | DESCRIPTION                    | DESCRIPCIÓN                                |
|-----|-------------|------|--------------------------------|--|
| 1   | 9114505020  | 4    | SCREW TAPPING 5×20             | TORNILLO ROSCADOR 5×20                     |
| 2   | A051000982  | 1    | STARTER ASSY, RECOIL - I-START | MONTAJE DE ARRANCADOR I-START              |
| 3   | A509000450  | 1    | +ROPE, STARTER 3.5×900         | +CUERDA DEL ARRANCADOR 3.5×900             |
| 4   | P022005891  | 1    | +GRIP, STARTER                 | +AGARRE DEL ARRANCADOR                     |
| 5   | P022010440  | 1    | +SPRING SET, RECOIL            | +JUEGO DE RESORTE RECULAR                  |
| 6   | P021039550  | 1    | +REEL KIT, ROPE                | +JUEGO DE CARRETE DEL CABLE                |
| 7   | A506000460  | 1    | ++REEL, ROPE                   | ++CARRETE DEL CABLE                        |
| 8   | V452001320  | 1    | ++SPRING, TORSION              | ++RESORTE DE TORSIÓN                       |
| 9   | A507000110  | 1    | ++PAWL CATCHER                 | ++RECEPTOR DE TRINQUETE                    |
| 10  | 17723661830 | 1    | +SCREW                         | +TORNILLO                                  |
| 11  | A172002360  | 1    | COVER, FAN                     | CUBIERTA DEL VENTILADOR                    |
| 12  | V203000090  | 2    | BOLT 5×14                      | PERNO 5×14                                 |
| 13  | 90060300005 | 2    | WASHER 5.5×12×0.8              | ARANDELA 5.5×12×0.8                        |
| 14  | A514000050  | 2    | PAWL                           | TRINQUETE                                  |
| 15  | 17724704630 | 2    | SPACER 5.2×8×2.1               | ESPACIADOR 5.2×8×2.1                       |
| 16  | 17723435430 | 2    | SPRING, TORSION                | RESORTE DE TORSIÓN                         |
| 17  | 99944445000 | 1    | ROPE, STARTER - REPOWER BULK   | CUERDA DEL ARRANCADOR REPOWER AL POR MAYOR |



| NO. | PART NUMBER | QTY. | DESCRIPTION           | DESCRIPCIÓN                       |
|-----|-------------|------|-----------------------|-----------------------------------|
| 1   | 90051500008 | 1    | NUT, FLANGE M8        | TUERCA-BRIDA M8                   |
| 2   | A409000272  | 1    | FLYWHEEL              | VOLANTE                           |
| 3   | 90016205020 | 2    | BOLT 5×20             | PERNO 5×20                        |
| 4   | A411000264  | 1    | COIL, IGNITION        | BOBINA DE ENCENDIDO               |
| 5   | 15011716430 | 2    | WASHER 5.2×12×3       | ARANDELA 5.2×12×3                 |
| 6   | V490000310  | 1    | CLIP                  | SUJETADOR                         |
| 7   | 15901019830 | 1    | SPARK PLUG - BPM-8Y   | BUJÍA BPM-8Y                      |
| 8   | A426000010  | 1    | TERMINAL, SPARK PLUG  | TERMINAL DE BUJÍA                 |
| 9   | A427000012  | 1    | CAP, SPARK PLUG       | TAPA DE BUJÍA                     |
| 10  | 15011404920 | 1    | GROMMET, LEAD         | OJAL DE CABLE CONDUCTOR           |
| 11  | V485000680  | 1    | LEAD, IGNITION L: 172 | CABLE DE ENCENDIDO L: 172         |
| 12  | V485000620  | 1    | LEAD, GROUND L: 140   | CABLE DE TIERRA L: 140            |
| 13  | V486000021  | 1    | TERMINAL, GROUND      | TERMINAL A TIERRA                 |
| 14  | A439000145  | 1    | BRACKET, SWITCH       | SOPORTE DE INTERRUPTOR            |
| 15  | 35113439930 | 2    | CUSHION               | AMORTIGUADOR                      |
| 16  | 16340038330 | 1    | SWITCH, ON-OFF        | INTERRUPTOR DE ENCENDIDO-APAGADO  |
| 17  | A241000140  | 1    | ROD, CHOKE            | VARILLA ESTRANGULADOR             |
| 18  | 17881014534 | 1    | GROMMET, CHOKE        | OJAL ESTRANGULADOR                |
| 19  | 12318139130 | 1    | BULB, PURGE           | BULBO DE PURGA                    |
| 20  | C454000100  | 1    | ROD, THROTTLE         | VARILLA ACELERADOR                |
| 21  | 90109       | 1    | TUNE-UP KIT - REPOWER | JUEGO DE PUESTA A PUNTO - REPOWER |

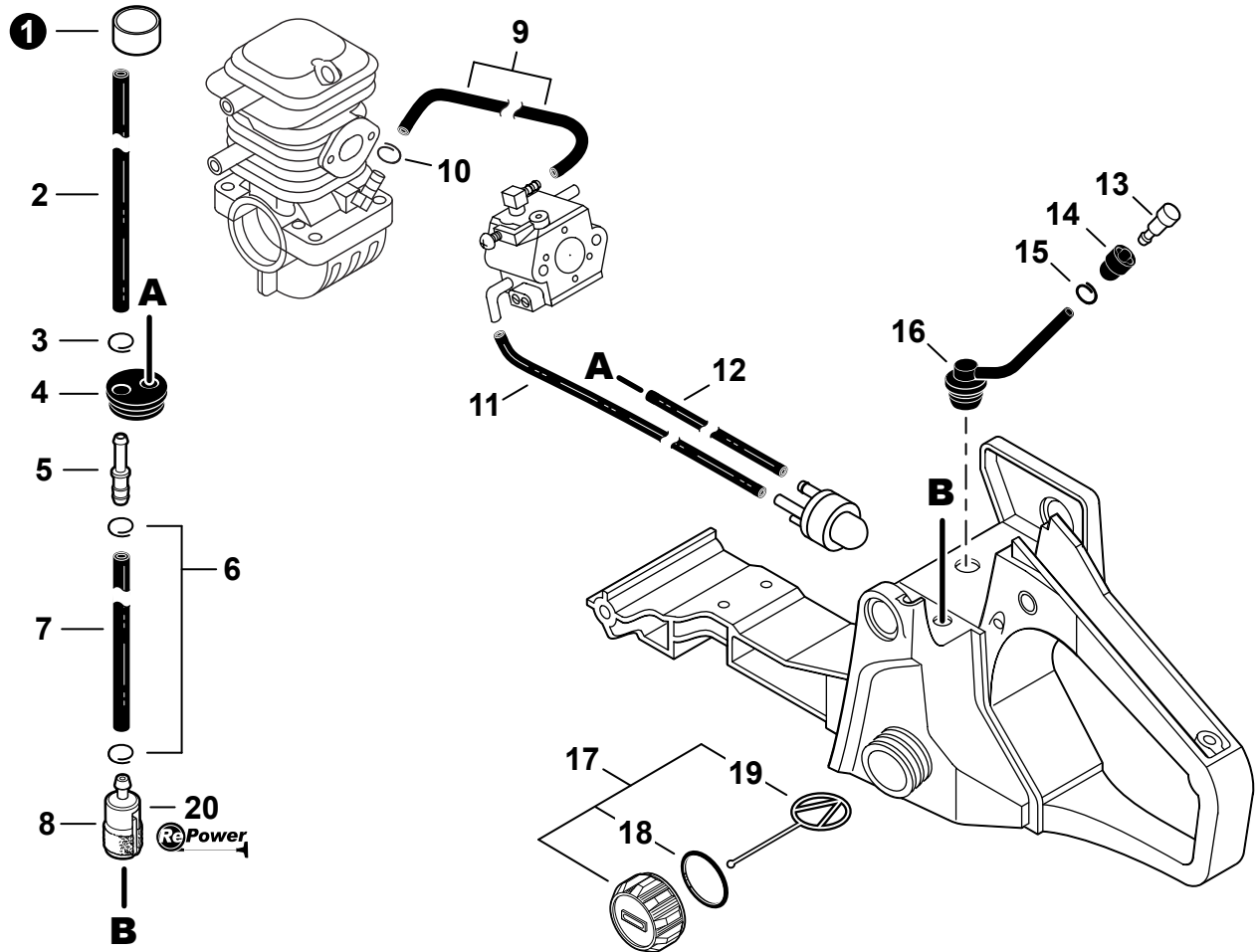


| NO.                                  | PART NUMBER | QTY. | DESCRIPTION               | DESCRIPCIÓN                      |
|--------------------------------------|-------------|------|---------------------------|----------------------------------|
| 1                                    | P021047330  | 1    | HANDLE SET, FRONT - NYLON | JUEGO DE MANGO DELANTERO - NILÓN |
| 2                                    | 9114505020  | 2    | +SCREW TAPPING 5x20       | +TORNILLO ROSCADOR 5x20          |
| 3                                    | 9114505020  | 2    | SCREW TAPPING 5x20        | TORNILLO ROSCADOR 5x20           |
| 4                                    | C400000430  | 1    | HANDLE, FRONT - ALUMINUM  | MANGO DELANTERO - ALUMINIO       |
| 5                                    | P021016451  | 1    | HANDLE ASSY, REAR         | MONTAJE DE MANGO TRASERO         |
| 6                                    | A356000030  | 1    | +VENT ASSY                | +VÁLVULA DE RESPIRADERO          |
| 7                                    | 13132840630 | 1    | +HOLDER, VENT             | +SOPORTE DE RESPIRADERO          |
| 8                                    | V490001230  | 1    | +CLIP Ø6.5MM              | +SUJETADOR Ø6.5MM                |
| 9                                    | 13201239931 | 1    | +PIPE, VENT 3x6x65        | +TUBO DE VENTILACIÓN 3x6x65      |
| 10                                   | V400000050  | 2    | CUSHION 4                 | AMORTIGUADOR 4                   |
| 11                                   | V202000700  | 2    | BOLT 4x10x13.5            | PERNO 4x10x13.5                  |
| 12                                   | 10091815130 | 2    | CAP, CUSHION              | TAPA DE AMORTIGUADOR             |
| 13                                   | 90025304014 | 1    | SCREW 4x14                | TORNILLO 4x14                    |
| 14                                   | 35115535430 | 1    | COVER, HANDLE             | CUBIERTA DE MANGO                |
| 15                                   | C460000072  | 1    | LOCKOUT, THROTTLE         | SEGURO DEL ACELERADOR            |
| 16                                   | C450000212  | 1    | TRIGGER, THROTTLE         | GATILLO DEL ACELERADOR           |
| 17                                   | V452000260  | 1    | SPRING, TORSION           | RESORTE DE TORSIÓN               |
| 18                                   | 90034540030 | 1    | PIN, SPRING 4x30          | PASADOR ELÁSTICO 4x30            |
| 19                                   | 35111119830 | 1    | GRIP, HANDLE              | AGARRE                           |
| 20                                   | V162000040  | 1    | PLUG                      | TAPÓN                            |
| <b>SN: C08111001001-C08111047394</b> |             |      |                           |                                  |
| 21                                   | 90010504020 | 2    | BOLT, HEX 4x20            | PERNO, HEX 4x20                  |
| 22                                   | 10091515131 | 2    | COLLAR 4.2x7x9.5          | COLLAR 4.2x7x9.5                 |

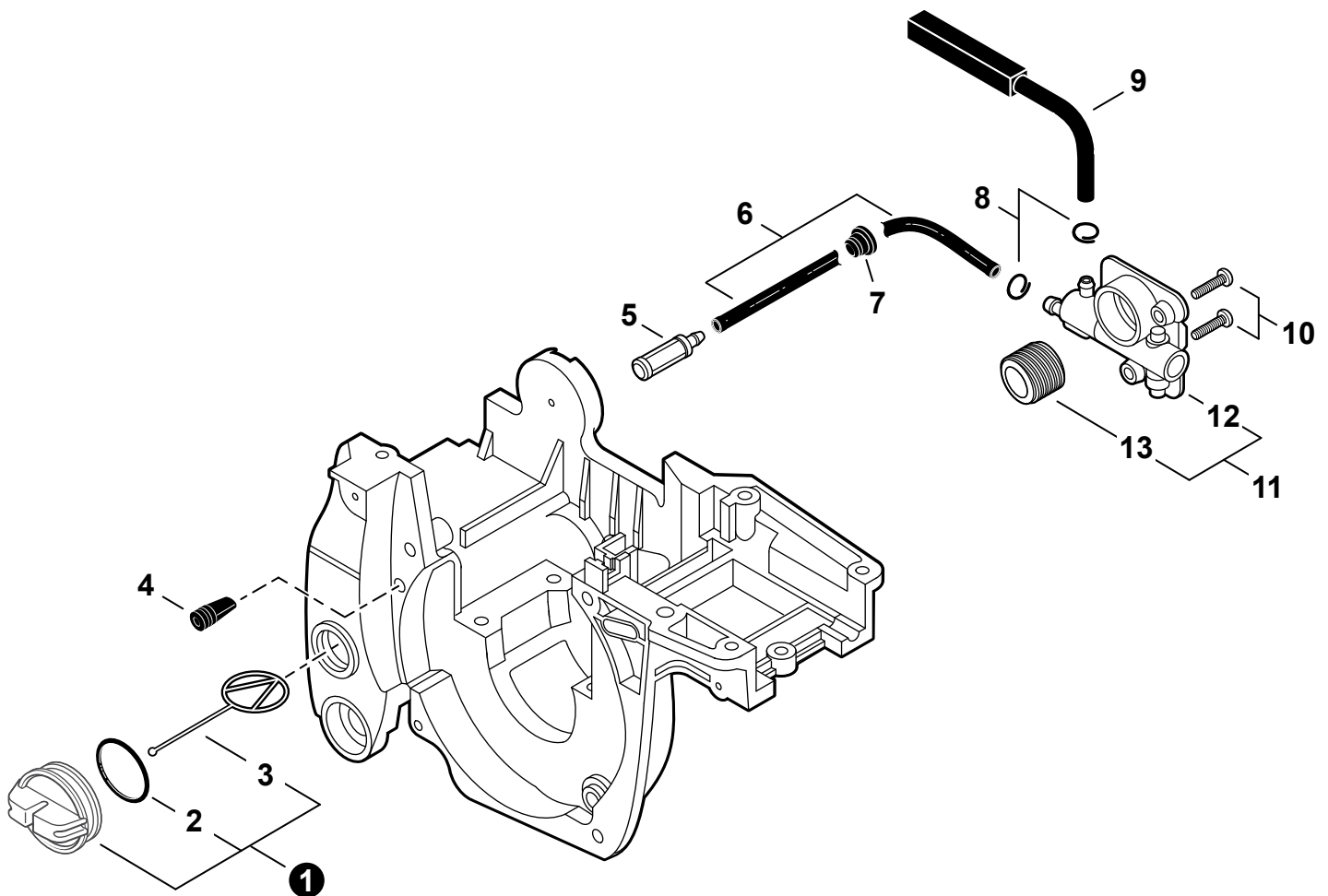


| NO. | PART NUMBER       | QTY. | DESCRIPTION                  | DESCRIPCIÓN                              |
|-----|-------------------|------|------------------------------|--|
| 1   | V475003970        | 1    | TUBE 8×9×16                  | TUBO 8×9×16                              |
| 2   | 13201000760       | 1    | PIPE, FUEL 3×5×250           | TUBO DE COMBUSTIBLE 3×5×250              |
| 3   | 13211544330       | 1    | GROMMET, FUEL                | OJAL DE COMBUSTIBLE                      |
| 4   | V490001240        | 1    | CLIP Ø6                      | SUJETADOR Ø6                             |
| 5   | 13120519830       | 1    | FILTER, FUEL                 | FILTRO DE COMBUSTIBLE                    |
| 6   | V471001600        | 1    | PIPE, PULSE 2.4×6×105        | TUBO DE PULSO 2.4×6×105                  |
| 7   | V490001240        | 1    | CLIP Ø6                      | SUJETADOR Ø6                             |
| 8   | V471001280        | 1    | PIPE 2.4×5×150 BLACK         | TUBO 2.4×5×150 NEGRO                     |
| 9   | V471001470        | 1    | PIPE 2.4×5×200 BLACK         | TUBO 2.4×5×200 NEGRO                     |
| 10  | A356000030        | 1    | VENT ASSY                    | VÁLVULA DE RESPIRADERO                   |
| 11  | 13132840630       | 1    | HOLDER, VENT                 | SOPORTE DE RESPIRADERO                   |
| 12  | 13201326630       | 1    | CLIP 6.5MM                   | SUJETADOR 6.5MM                          |
| 13  | 13201239931       | 1    | PIPE, VENT 3×6×65            | TUBO DE VENTILACIÓN 3×6×65               |
| 14  | <b>P021010600</b> | 1    | <b>CAP ASSY, FUEL</b>        | <b>MONTAJE DE TAPA DE COMBUSTIBLE</b>    |
| 15  | 90072000022       | 1    | +O-RING 22                   | +JUNTA TÓRICA 22                         |
| 16  | A365000050        | 1    | +CONNECTOR, CAP L: 60mm      | +CONECTOR DE TAPA L: 60mm                |
| 17  | <b>90109</b>      | 1    | <b>TUNE-UP KIT - REPOWER</b> | <b>JUEGO DE PUESTA A PUNTO - REPOWER</b> |

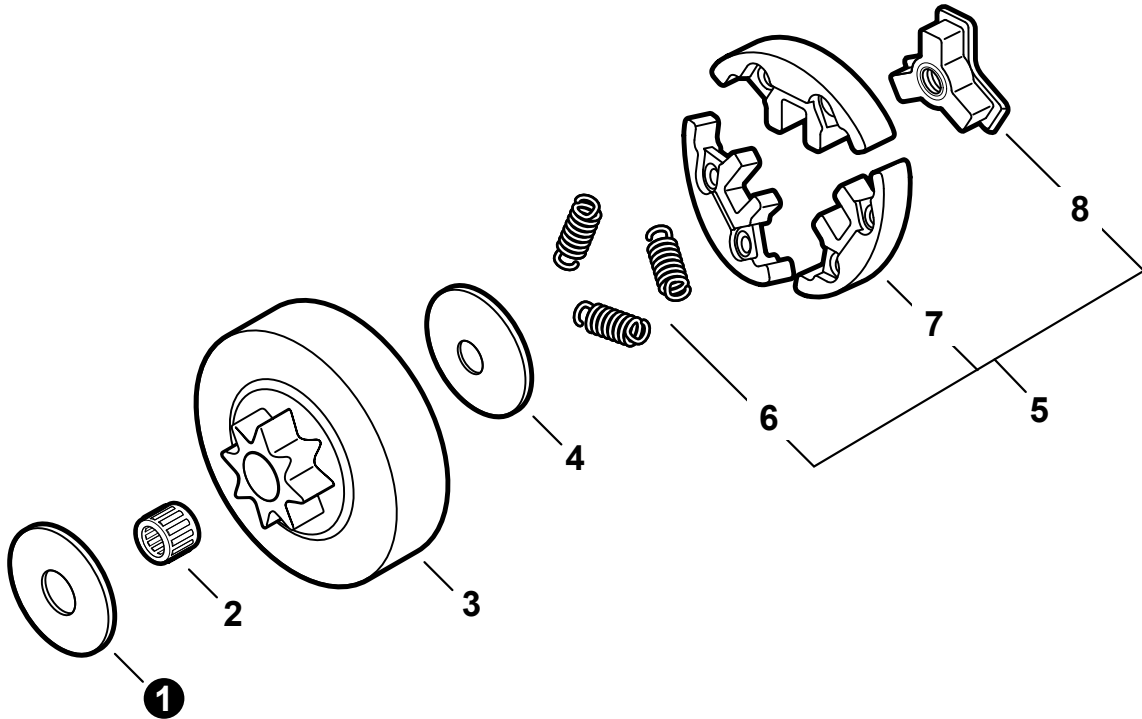




| NO. | PART NUMBER       | QTY. | DESCRIPTION                  | DESCRIPCIÓN                              |
|-----|-------------------|------|------------------------------|--|
| 1   | V475003970        | 1    | TUBE 8×9×16                  | TUBO 8×9×16                              |
| 2   | V471003840        | 1    | PIPE - 3×5×182 - BLACK       | TUBO 3×5×182 NEGRO                       |
| 3   | V490001271        | 1    | CLIP 5                       | SUJETADOR 5                              |
| 4   | 13211544330       | 1    | GROMMET, FUEL                | OJAL DE COMBUSTIBLE                      |
| 5   | V186000520        | 1    | CONNECTOR, PIPE Ø5×Ø3.5      | CONECTOR DE TUBO Ø5×Ø3.5                 |
| 6   | V490001240        | 2    | CLIP Ø6                      | SUJETADOR Ø6                             |
| 7   | V471003850        | 1    | PIPE - 3×5×68 - BLACK        | TUBO 3×5×68 NEGRO                        |
| 8   | A369000420        | 1    | FILTER, FUEL                 | FILTRO DE COMBUSTIBLE                    |
| 9   | V471001600        | 1    | PIPE, PULSE 2.4×6×105        | TUBO DE PULSO 2.4×6×105                  |
| 10  | V490001240        | 1    | CLIP Ø6                      | SUJETADOR Ø6                             |
| 11  | V471001280        | 1    | PIPE 2.4×5×150 BLACK         | TUBO 2.4×5×150 NEGRO                     |
| 12  | V471001470        | 1    | PIPE 2.4×5×200 BLACK         | TUBO 2.4×5×200 NEGRO                     |
| 13  | A356000030        | 1    | VENT ASSY                    | VÁLVULA DE RESPIRADERO                   |
| 14  | 13132840630       | 1    | HOLDER, VENT                 | SOPORTE DE RESPIRADERO                   |
| 15  | V490001230        | 1    | CLIP Ø6.5MM                  | SUJETADOR Ø6.5MM                         |
| 16  | 13201239931       | 1    | PIPE, VENT 3×6×65            | TUBO DE VENTILACIÓN 3×6×65               |
| 17  | <b>P021036960</b> | 1    | <b>CAP ASSY, FUEL</b>        | <b>MONTAJE DE TAPA DE COMBUSTIBLE</b>    |
| 18  | V581000610        | 1    | +O-RING 22                   | +JUNTA TÓRICA 22                         |
| 19  | A365000050        | 1    | +CONNECTOR, CAP L: 60mm      | +CONECTOR DE TAPA L: 60mm                |
| 20  | <b>90109</b>      | 1    | <b>TUNE-UP KIT - REPOWER</b> | <b>JUEGO DE PUESTA A PUNTO - REPOWER</b> |

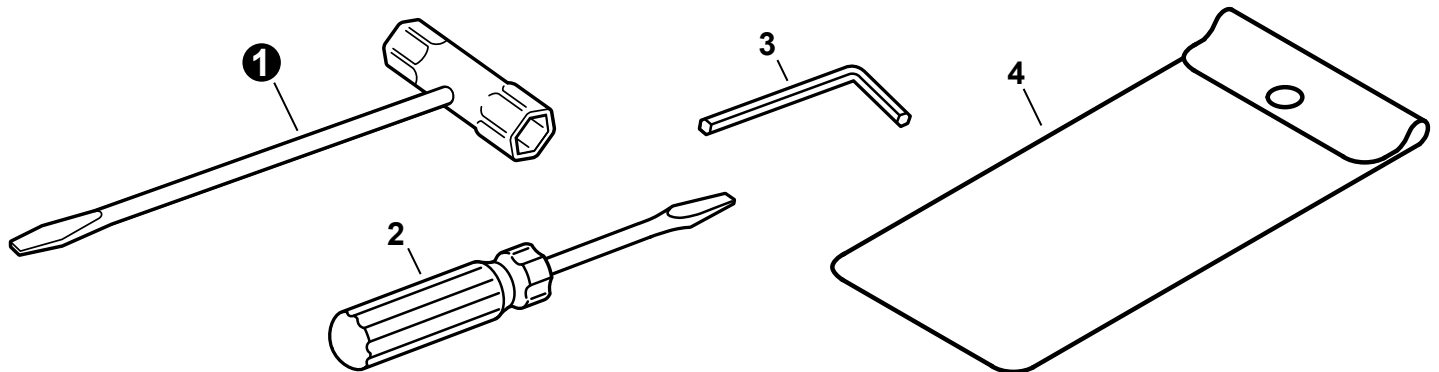


| NO. | PART NUMBER | QTY. | DESCRIPTION             | DESCRIPCIÓN                       |
|-----|-------------|------|-------------------------|-----------------------------------|
| 1   | P021007630  | 1    | CAP ASSY                | MONTAJE DE TAPA                   |
| 2   | 90072100025 | 1    | +O-RING 25              | +JUNTA TÓRICA 25                  |
| 3   | A365000050  | 1    | +CONNECTOR, CAP L: 60mm | +CONECTOR DE TAPA L: 60mm         |
| 4   | 43611413930 | 1    | VENT ASSY               | VÁLVULA DE RESPIRADERO            |
| 5   | 43620502832 | 1    | FILTER, OIL             | FILTRO DE ACEITE                  |
| 6   | 43721035430 | 1    | PIPE, OIL               | TUBO ACEITE                       |
| 7   | 13211512330 | 1    | GROMMET                 | OJAL                              |
| 8   | 13201326630 | 2    | CLIP 6.5MM              | SUJETADOR 6.5MM                   |
| 9   | 43721039931 | 1    | PIPE, OIL OUTLET        | TUBO DE SALIDA DE ACEITE          |
| 10  | 90023804012 | 2    | SCREW 4x12              | TORNILLO 4x12                     |
| 11  | P021001980  | 1    | AUTO-OILER KIT          | JUEGO DE ENGRASADOR AUTOMÁTICO    |
| 12  | C022000000  | 1    | +AUTO-OILER ASSY        | +MONTAJE DE ENGRASADOR AUTOMÁTICO |
| 13  | V652000010  | 1    | +GEAR, WORM             | +ENGRANAJE DE TORNILLO SIN FIN    |

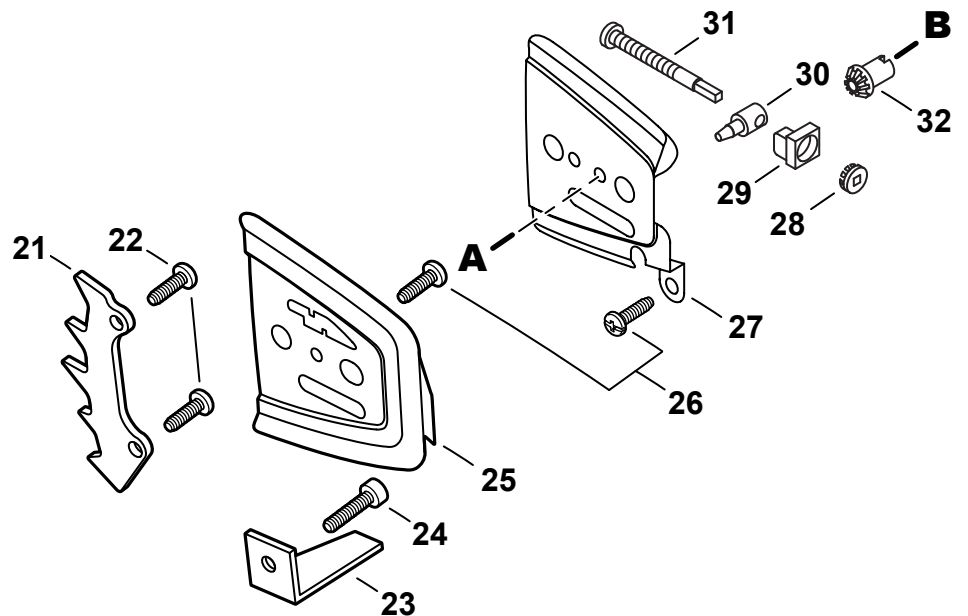
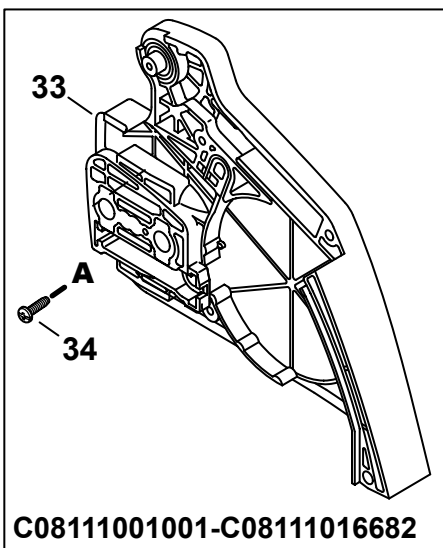
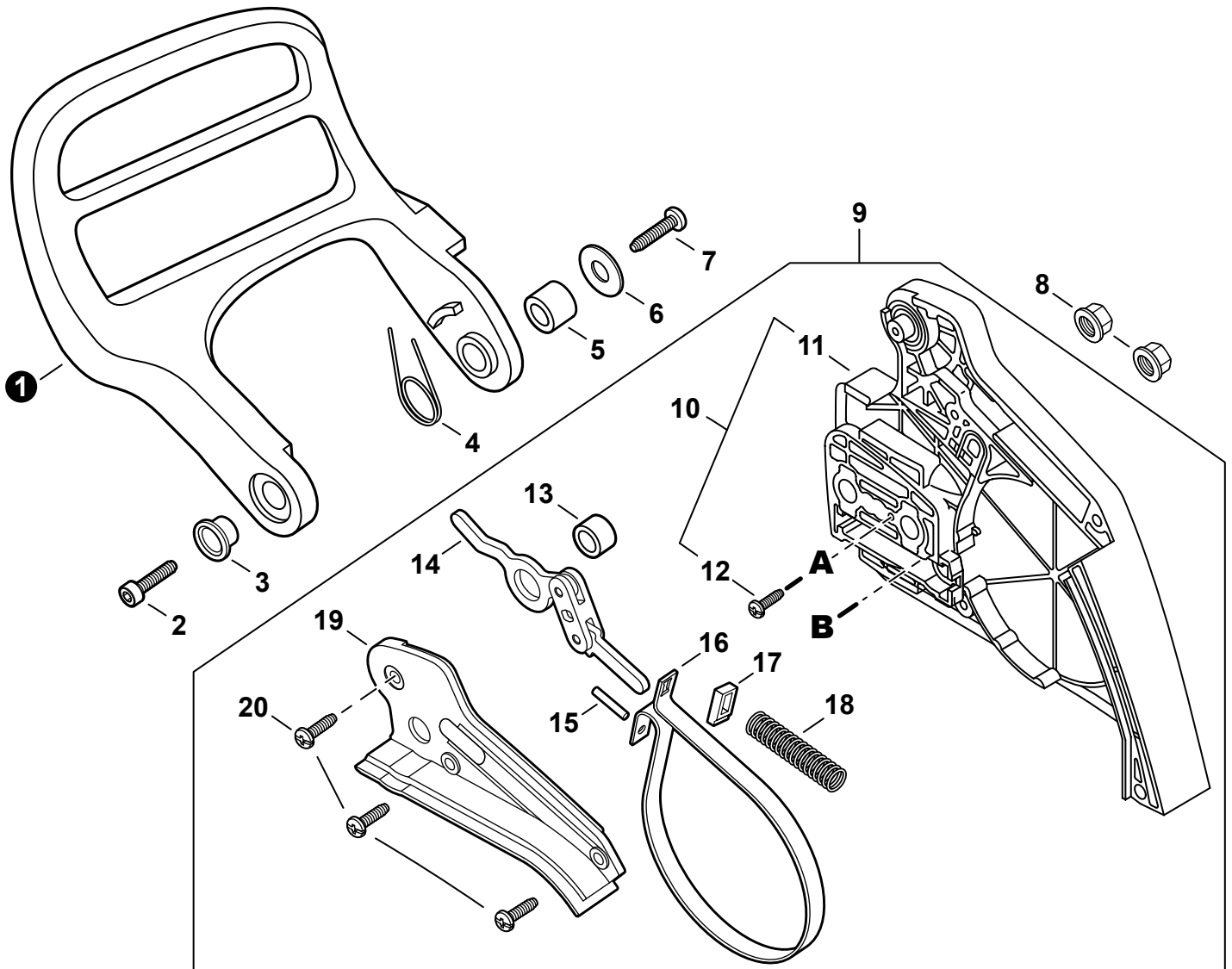


| NO. | PART NUMBER       | QTY.     | DESCRIPTION              | DESCRIPCIÓN                               |
|-----|-------------------|----------|--------------------------|---|
| 1   | 17501439131       | 1        | WASHER 10.2×24.5×1.2     | ARANDELA 10.2×24.5×1.2                    |
| 2   | V555000150        | 1        | BEARING, NEEDLE 10       | COJINETE DE AGUJAS 10                     |
| 3   | A556000400        | 1        | DRUM, CLUTCH             | TAMBOR EMBRAGUE                           |
| 4   | 17501939430       | 1        | PLATE, CLUTCH            | PLACA DE EMBRAGUE                         |
| 5   | <b>A056000120</b> | <b>1</b> | <b>CLUTCH ASSY</b>       | <b>MONTAJE DE EMBRAGUE</b>                |
| 6   | V451000500        | 3        | +SPRING, TENSION         | +RESORTE DE TENSION                       |
| 7   | P021007050        | 1        | +SHOE SET, CLUTCH (3PCS) | +JUEGO DE ZAPATA DE EMBRAGUE (Cantidad 3) |
| 8   | A552000060        | 1        | +HUB, CLUTCH             | +CUBO DEL EMBRAGUE                        |

**Tools**  
Herramientas



| NO. | PART NUMBER | QTY. | DESCRIPTION           | DESCRIPCIÓN             |
|-----|-------------|------|-----------------------|-------------------------|
| 1   | X602000080  | 1    | T-WRENCH 13×19 L: 180 | LLAVE EN T 13×19 L: 180 |
| 2   | 89581203930 | 1    | SCREWDRIVER 50MM      | DESTORNILLADOR 50MM     |
| 3   | 89561000130 | 1    | WRENCH, ALLEN 4MM     | LLAVE ALLEN 4MM         |
| 4   | 89851007130 | 1    | BAG, TOOL             | BOLSA DE HERRAMIENTAS   |

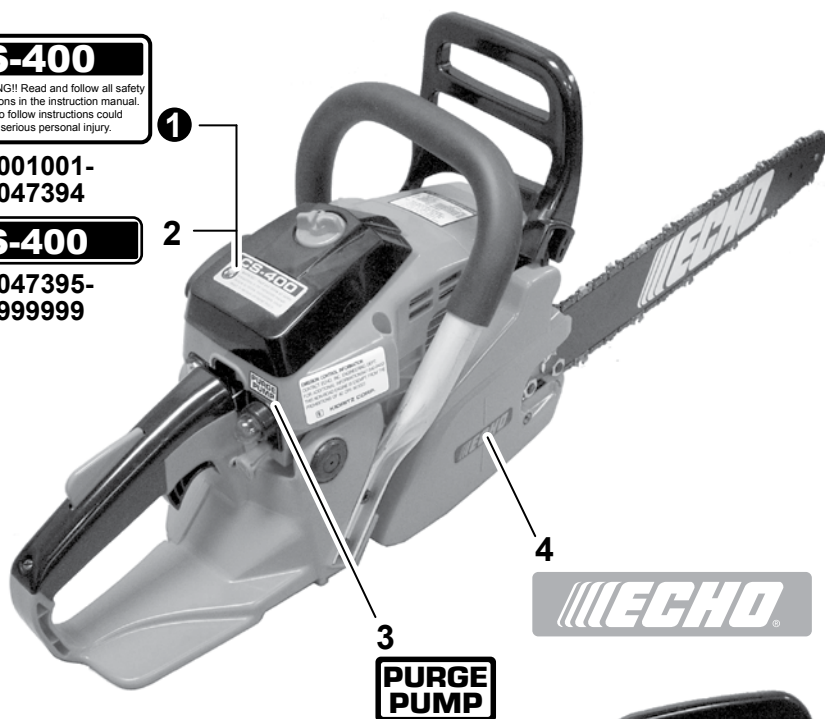


| NO.                                  | PART NUMBER       | QTY.     | DESCRIPTION                | DESCRIPCIÓN                         |
|--------------------------------------|-------------------|----------|----------------------------|-------------------------------------|
| 1                                    | C320000111        | 1        | LEVER, BRAKE               | PALANCA DE FRENO                    |
| 2                                    | 9114505016        | 1        | SCREW TAPPING 5×16         | TORNILLO ROSCADOR 5×16              |
| 3                                    | V356000300        | 1        | COLLAR 10                  | COLLAR 10                           |
| 4                                    | V452000250        | 1        | SPRING, TORSION            | RESORTE DE TORSIÓN                  |
| 5                                    | 43311635430       | 1        | SPACER 8×12×9              | ESPACIADOR 8×12×9                   |
| 6                                    | 17721403930       | 1        | WASHER 4.2×16.5×1          | ARANDELA 4.2×16.5×1                 |
| 7                                    | V202000070        | 1        | BOLT 4                     | PERNO 4                             |
| 8                                    | 43301912330       | 2        | NUT, FLANGE M8×1.25        | TUERCA-BRIDA M8×1.25                |
| <b>9</b>                             | <b>P021017220</b> | <b>1</b> | <b>BRAKE ASSY, CHAIN</b>   | <b>MONTAJE DE FRENO DE CADENA</b>   |
| <b>10</b>                            | <b>P021048060</b> | <b>1</b> | <b>+SPROCKET GUARD SET</b> | <b>+JUEGO DE CUBIERTA DEL PIÑÓN</b> |
| 11                                   | C300000313        | 1        | ++GUARD, SPROCKET          | ++CUBIERTA DEL PIÑÓN                |
| 12                                   | 9132503005        | 1        | ++SCREW 3×5                | ++TORNILLO 3×5                      |
| 13                                   | 43311635430       | 1        | +SPACER 8×12×9             | +ESPACIADOR 8×12×9                  |
| 14                                   | C334000090        | 1        | +CONNECTOR, BRAKE          | +CONECTOR DE FRENO                  |
| 15                                   | 9305030098        | 1        | +PIN, SPRING 3×9.8         | +PASADOR ELÁSTICO 3×9.8             |
| 16                                   | C328000080        | 1        | +BAND, BRAKE               | +BANDA DE FRENO                     |
| 17                                   | V376000450        | 1        | +GUIDE                     | +GUÍA                               |
| 18                                   | V450000070        | 1        | +SPRING, COMPRESSION       | +RESORTE DE COMPRESIÓN              |
| 19                                   | C345000530        | 1        | +COVER, BRAKE              | +CUBIERTA DE FRENO                  |
| 20                                   | V202000060        | 3        | +SCREW 4×12                | +TORNILLO 4×12                      |
| 21                                   | C304000010        | 1        | SPIKE, BUMPER              | PARAGOLPES CON PÚAS                 |
| 22                                   | 9114505020        | 2        | SCREW TAPPING 5×20         | TORNILLO ROSCADOR 5×20              |
| 23                                   | C310000000        | 1        | CHAIN CATCHER              | CAPTURADOR DE CADENA                |
| 24                                   | 9114505016        | 1        | SCREW TAPPING 5×16         | TORNILLO ROSCADOR 5×16              |
| 25                                   | 43301239930       | 1        | PLATE, GUIDE - INNER       | PLACA GUÍA - INTERNA                |
| 26                                   | V202000060        | 2        | SCREW 4×12                 | TORNILLO 4×12                       |
| 27                                   | C305000011        | 1        | PLATE, GUIDE - OUTER       | PLACA GUÍA - EXTERNO                |
| 28                                   | V651000011        | 1        | GEAR, BEVEL                | ENGRANAJE CÓNICO                    |
| 29                                   | V355000270        | 1        | COLLAR 8                   | COLLAR 8                            |
| 30                                   | C309000030        | 1        | TENSIONER, CHAIN           | TENSOR DE CADENA                    |
| 31                                   | V203000110        | 1        | SCREW, CHAIN TENSION       | TORNILLO DEL TENSOR DE CADENA       |
| 32                                   | V651000001        | 1        | GEAR, BEVEL                | ENGRANAJE CÓNICO                    |
| <b>S/N C08111001001-C08111016682</b> |                   |          |                            |                                     |
| 33                                   | C300000312        | 1        | GUARD, SPROCKET            | CUBIERTA DEL PIÑÓN                  |
| 34                                   | 90022003006       | 1        | SCREW 3×6                  | TORNILLO 3×6                        |

**CS-400**  
WARNING!! Read and follow all safety precautions in the instruction manual. Failure to follow instructions could result in serious personal injury.

C08111001001-  
C08111047394

**CS-400**  
C08111047395-  
C0811199999



**PURGE PUMP**

**ECHO**

**TO AVOID KICKBACK**  
1. Hold the chain saw firmly with both hands  
2. Don't let the nose of the guide bar contact any obstruction.  
3. Tip contact may suddenly move the guide bar upward and backward, which may cause serious injury

C08111001001-C08111041432



C08111041433-C0811199999



**REPLACEMENT BAR AND CHAIN**

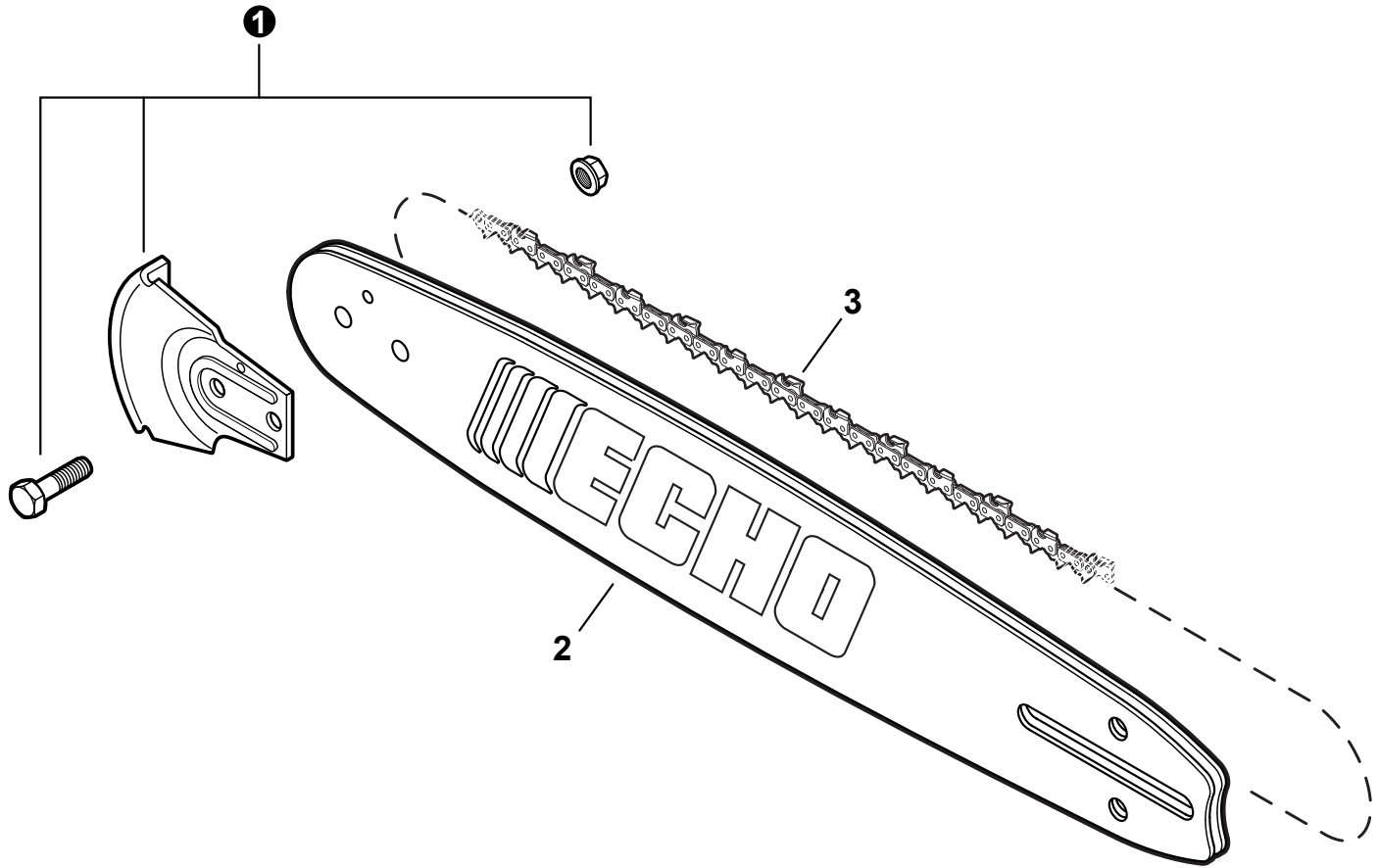
| GUIDE BAR*<br>PART NO. | CHAIN*<br>PART NO. |
|------------------------|--------------------|
| 16" 16A0CD3757         | 91PX57CQ           |
| 18" 18A0CD3762         | 91PX62CQ           |

\*Or equivalent  
Note: There may be other replacement components for achieving kickback protection. For details, please refer to the bar and chain combination sheet shown in the instruction manual.

**STOP**

| NO. | PART NUMBER | QTY. | DESCRIPTION           | DESCRIPCIÓN                   |
|-----|-------------|------|-----------------------|-------------------------------|
| 1   | X503007391  | 1    | LABEL - MODEL CS-400  | ETIQUETA MODELO CS-400        |
| 2   | X503012850  | 1    | LABEL - MODEL CS-400  | ETIQUETA MODELO CS-400        |
| 3   | 89016739230 | 1    | LABEL, PURGE PUMP     | ETIQUETA DE BOMBILLA DE PURGA |
| 4   | X502000340  | 1    | LABEL, ECHO           | ETIQUETA ECHO                 |
| 5   | X524001811  | 1    | LABEL, BAR & CHAIN    | ETIQUETA - BARRA Y CADENA     |
| 6   | 89019130131 | 1    | LABEL, UL - KICK BACK | ETIQUETA DE UL CONTRAGOLPE    |
| 7   | X505006660  | 1    | LABEL, CAUTION        | ETIQUETA DE PRECAUCIÓN        |
| 8   | X502000410  | 1    | LABEL, ECHO           | ETIQUETA ECHO                 |
| 9   | 89015737330 | 1    | LABEL, STOP           | ETIQUETA PARADA               |





| NO. | PART NUMBER | QTY. | DESCRIPTION               | DESCRIPCIÓN                         |
|-----|-------------|------|---------------------------|-------------------------------------|
| 1   | 2894901     | 1    | KICK GUARD KIT            | PROTECTORAS DE PUNTA DE BARRA       |
| 2   | 16A0CD3757  | 1    | GUIDE BAR, 16" (.050" Ga) | BARRA GUÍA 40 cm (calibre de .050") |
| 2   | 18A0CD3762  | 1    | GUIDE BAR, 18" (.050" Ga) | BARRA GUÍA 45 cm (calibre de .050") |
| 3   | 91PX57CQ    | 1    | SAW CHAIN 16" (.050" Ga)  | CADENA 40 cm (calibre de .050")     |
| 3   | 91PX62CQ    | 1    | SAW CHAIN 18" (.050" Ga)  | CADENA 45 cm (calibre de .050")     |

**RePower Maintenance Kits**  
Juegos de mantenimiento RePower

| NO. | PART NUMBER        | QTY.     | DESCRIPTION                              | DESCRIPCIÓN                                       |
|-----|--------------------|----------|--|---|
|     | <b>90109</b>       | <b>1</b> | <b>TUNE-UP KIT - REPOWER</b>             | <b>JUEGO DE PUESTA A PUNTO - REPOWER</b>          |
|     | 13030039730        | 1        | +FILTER, HEAVY DUTY AIR                  | +FILTRO DE AIRE - SERVICIO PESADO                 |
|     | 13120519832        | 1        | +FILTER, FUEL                            | +FILTRO DE COMBUSTIBLE                            |
|     | 15901019830        | 1        | +SPARK PLUG - BPM-8Y                     | +BUJÍA BPM-8Y                                     |
|     | <b>99944445000</b> | <b>1</b> | <b>ROPE, STARTER - REPOWER BULK</b>      | <b>CUERDA DEL ARRANCADOR REPOWER AL POR MAYOR</b> |
|     | <b>SB1089</b>      | <b>1</b> | <b>SHORT BLOCK</b>                       | <b>MEDIO MOTOR</b>                                |
|     | <b>SB1100</b>      | <b>1</b> | <b>SHORT BLOCK AND CARBURETOR WT-985</b> | <b>MEDIO MOTOR Y CARBURADOR WT-985</b>            |
|     | <b>SB1101</b>      | <b>1</b> | <b>SHORT BLOCK</b>                       | <b>MEDIO MOTOR</b>                                |