



Fits Models

SRM-280 Trimmer

PARTS CATALOG
99944200695
U-Handle/Blade
Conversion
Combination Kit

ACCESSORY

ECHO, INCORPORATED

400 Oakwood Road Lake Zurich, Illinois 60047 USA

WWW.ECHO-USA.COM



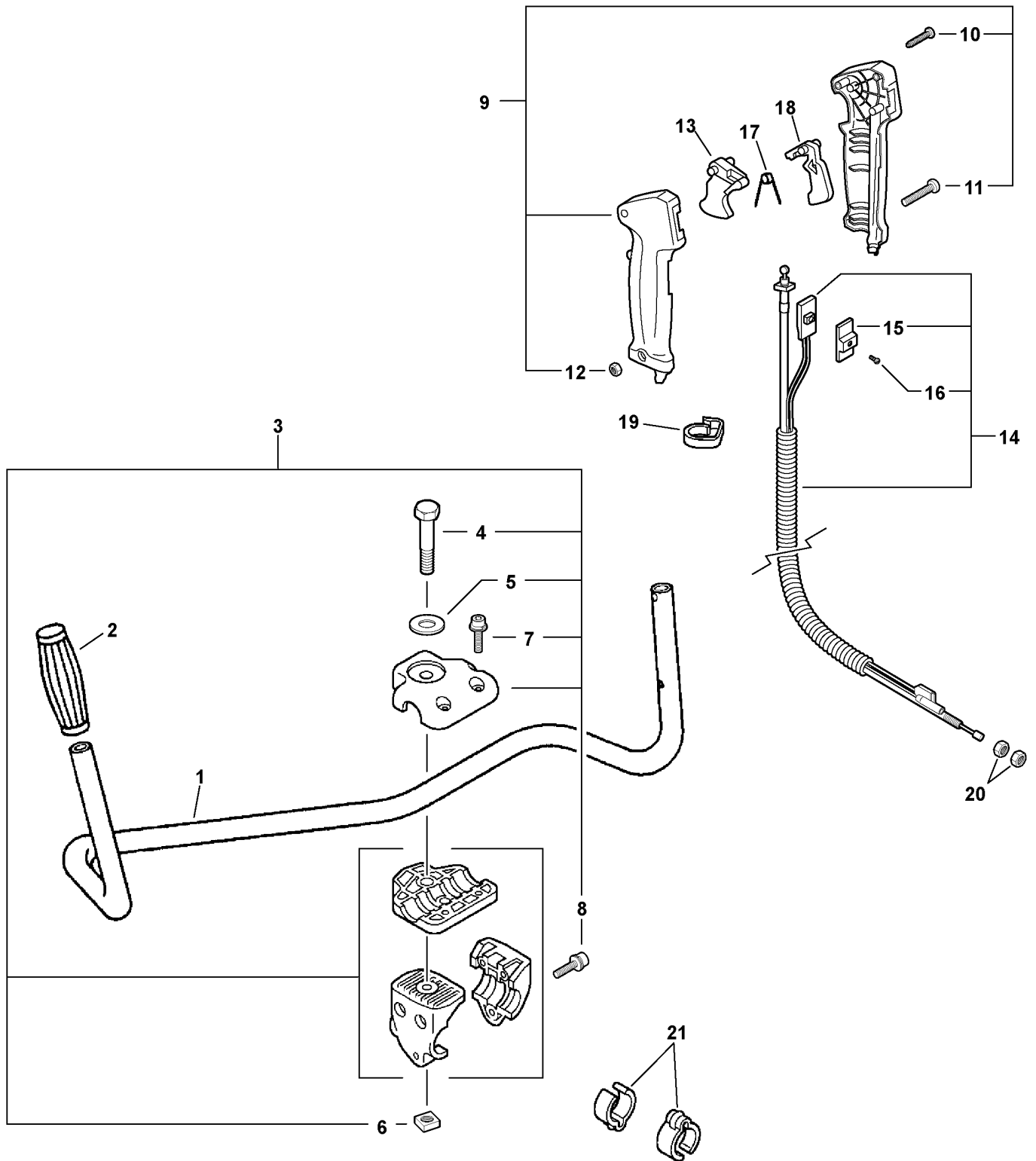
Table of Contents

Click Any Diagram Description Below To View That Diagram.

99944200695 U-Handle Blade Conversion Combo Kit

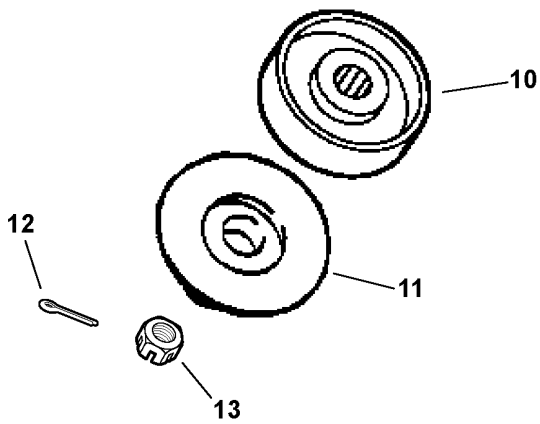
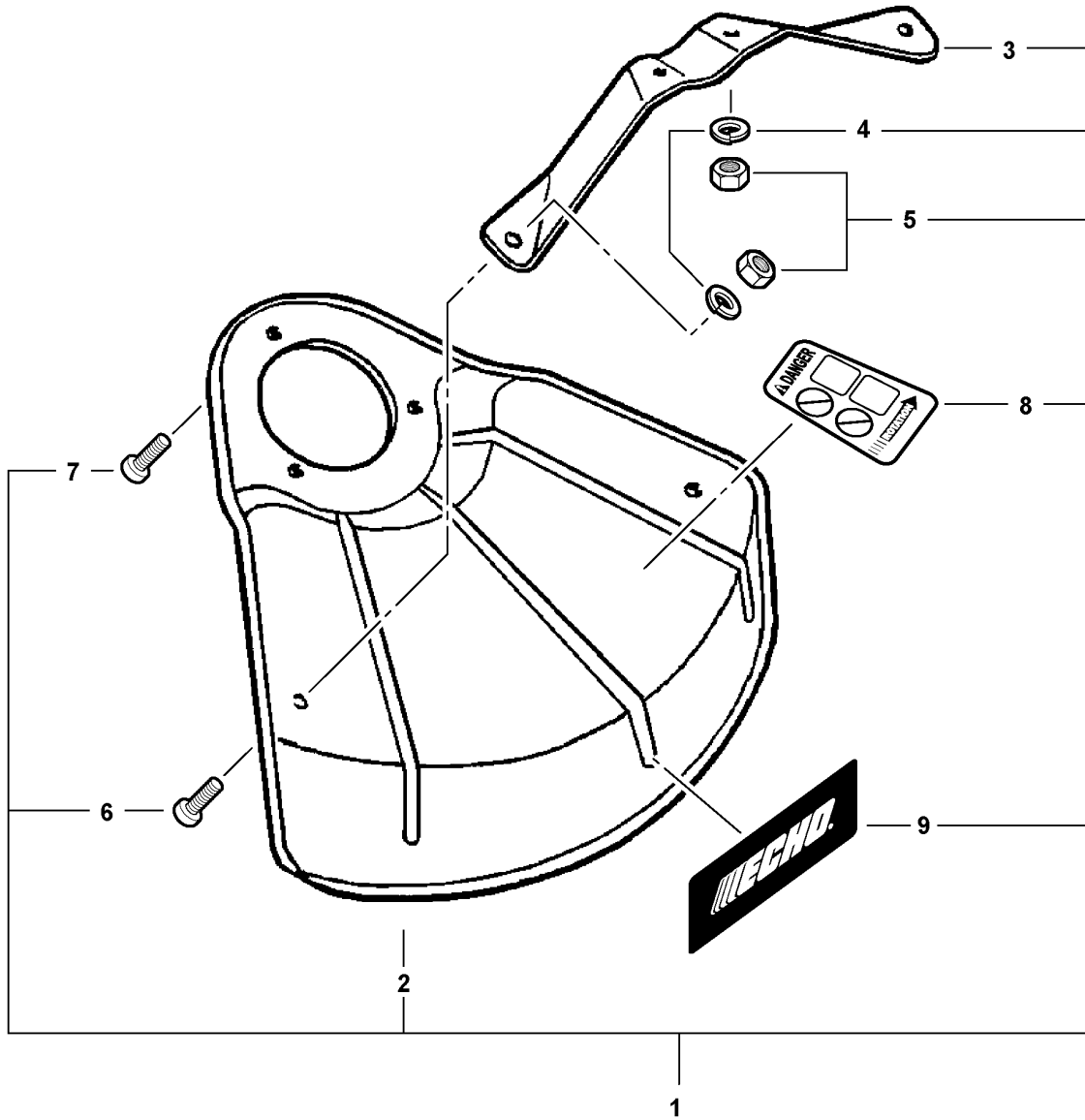
Handles, Throttle Control.....	4
Metal Shield, Adapter Plates.....	6
Shoulder Harness.....	8
Part Number Index.....	10
Part Description Index.....	11

This Page Intentionally Left Blank



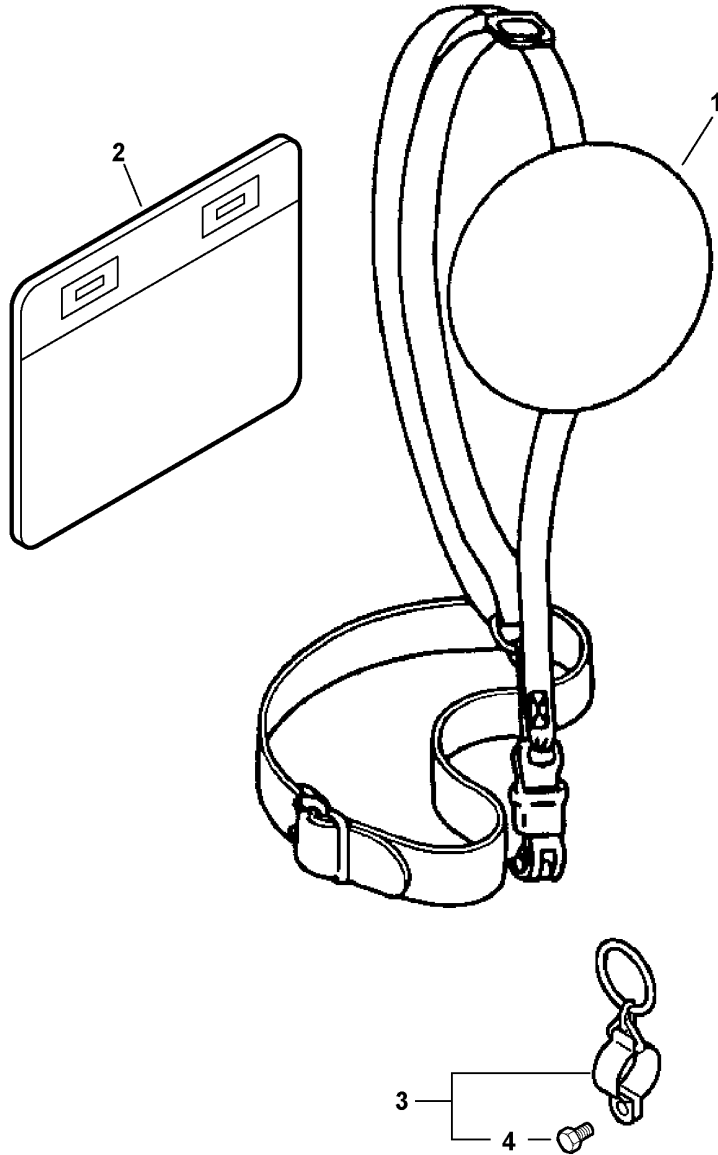
800 0009 00D

ITEM	PART NUMBER	QTY	DESCRIPTION	REMARKS
1	C400000000	1	HANDLE, FRONT	
2	35131102330	1	GRIP, HANDLE	
3	35130152130	1	HANDLE BRACKET ASY	INCLUDES ITEMS 4-8
4	35142152130	1	BOLT	
5	60501454230	1	WASHER	
6	90056550008	1	NUT	
7	90016205020	2	SCREW 5X20	
8	90016205030	3	SCREW 5X30	
9	35110247530	1	THROTTLE CONTROL ASY	INCLUDES ITEMS 10-12
10	90024603025	4	SCREW 3X25	
11	90022005030	1	SCREW 5X30	
12	90050000005	1	NUT 5	
13	17801005960	1	TRIGGER, THROTTLE	
14	V043000170	1	THROTTLE CONTROL ASY	INCLUDES ITEMS 15-16
15	A444000020	1	KNOB, SWITCH	
16	9154503010	1	SCREW 3X10	
17	17801335631	1	SPRING, THROTTLE LOCK	
18	17801205960	1	LOCKOUT, THROTTLE	
19	15911209961	1	CLIP	
20	90050200006	2	NUT 6	
21	22492452130	2	CLIP	



033 0001 00B

ITEM	PART NUMBER	QTY	DESCRIPTION	REMARKS
1	69900423433	1	SHIELD ASY - METAL	INCLUDES ITEMS 2-9
2	C550000200	1	SHIELD	
3	69901523431	1	BRACKET, SHIELD	
4	90060500005	4	LOCK WASHER	
5	90050000005	4	FLANGE NUT 5	
6	90022005008	2	SCREW 5X8	
7	90024205010	3	SCREW 5X10	
8	89016841031	1	LABEL - DANGER	
9	X502000320	1	LABEL - ECHO	
10	C535000160	1	PLATE, ADAPTER - UPPER	
11	C535000150	1	PLATE, ADAPTER - LOWER	
12	90030020022	1	SPLIT PIN 2X22	BULK OPTION: 89850201130 -10 PER PACKAGE
13	90051100010	1	NUT 10 - LEFT HANDED	



700 0002 00B

<u>ITEM</u>	<u>PART NUMBER</u>	<u>QTY</u>	<u>DESCRIPTION</u>	<u>REMARKS</u>
1	C062000070	1	HARNESS, SHOULDER	
2	C652000000	1	CUSHION	
3	C646000060	1	HARNESS RING KIT	INCLUDES ITEM 4
4	90010005012	1	BOLT 5X12	



Part Number Index

Click The Page Number After Any Part Number To View The Diagram Containing That Part.

Part Number	Page
15911209961	5
17801005960	5
17801205960	5
17801335631	5
22492452130	5
35110247530	5
35130152130	5
35131102330	5
35142152130	5
60501454230	5
69900423433	7
69901523431	7
89016841031	7
90010005012	9
90016205020	5
90016205030	5
90022005008	7
90022005030	5
90024205010	7
90024603025	5
90030020022	7
90050000005	5, 7
90050200006	5
90051100010	7
90056550008	5
90060500005	7
9154503010	5
A444000020	5
C062000070	9
C400000000	5
C535000150	7
C535000160	7
C550000200	7
C646000060	9
C652000000	9
V043000170	5
X502000320	7



Part Description Index

Click The Page Number After Any Part Description To View The Diagram Containing That Part.

B

BOLT.....5
BOLT 5X12.....9
BRACKET, SHIELD.....7

C

CLIP.....5
CUSHION.....9

F

FLANGE NUT 5.....7

G

GRIP, HANDLE.....5

H

HANDLE BRACKET ASY.....5
HANDLE, FRONT.....5
HARNESS RING KIT.....9
HARNESS, SHOULDER.....9

K

KNOB, SWITCH.....5

L

LABEL - DANGER.....7
LABEL - ECHO.....7
LOCK WASHER.....7
LOCKOUT, THROTTLE.....5

N

NUT.....5
NUT 10 - LEFT HANDED.....7
NUT 5.....5
NUT 6.....5

P

PLATE, ADAPTER - LOWER.....7
PLATE, ADAPTER - UPPER.....7

S

SCREW 3X10.....5
SCREW 3X25.....5
SCREW 5X10.....7
SCREW 5X20.....5
SCREW 5X30.....5
SCREW 5X8.....7
SHIELD.....7
SHIELD ASY - METAL.....7
SPLIT PIN 2X22.....7
SPRING, THROTTLE LOCK.....5

T

THROTTLE CONTROL ASY.....5
TRIGGER, THROTTLE.....5

W

WASHER.....5



ECHO, INCORPORATED

400 Oakwood Road
Lake Zurich, IL 60047 USA

WWW.ECHO-USA.COM
