

CS-530 Chain Saw

Motosierra
50.1cc

S/N: C02803001001 - C02803999999



ECHO®

Optional Attachments & Accessories Accessories

| | |
|---------------------------------|-------------|
| CS Carry Bag | 103942147 |
| Bar & Chain Cover - 17" | 89850308032 |
| Bar & Chain Cover - 20" | 89850308033 |
| ToughChest Chain Saw Case - 24" | 99988801207 |

Guide Bars

| | |
|----------------------------|-------------|
| Guide Bar - 16" (.050" Ga) | 16F0AD3366 |
| Guide Bar - 16" (.050" Ga) | 16F0MD3366 |
| Guide Bar - 18" (.050" Ga) | 18F0ADD3372 |
| Guide Bar - 18" (.050" Ga) | 18F0MD3372 |

Sawing Chains

| | |
|-------------------------------|----------|
| Sawing Chain - 16" (.050" Ga) | 33SL66CQ |
| Sawing Chain - 18" (.050" Ga) | 33SL72CQ |
| Sawing Chain - 16" (.050" Ga) | 95VP66G |
| Sawing Chain - 18" (.050" Ga) | 95VP72G |

Accesorios & Accesorios Opcionales Accesorios

| |
|---|
| Bolso de transporte (CS) |
| Cubierta de la barra y de la Cadena - 17" |
| Cubierta de la barra y de la Cadena - 20" |
| ToughChest Estuche para motosierras - 24" |

Barras guía

| |
|-------------------------------------|
| Barra Guía - 16" (calibre de .050") |
| Barra Guía - 16" (calibre de .050") |
| Barra Guía - 18" (calibre de .050") |
| Barra Guía - 18" (calibre de .050") |

Cadenas de sierra

| |
|---|
| Cadena de Sierra - 16" (calibre de .050") |
| Cadena de Sierra - 18" (calibre de .050") |
| Cadena de Sierra - 16" (calibre de .050") |
| Cadena de Sierra - 18" (calibre de .050") |

TABLE OF CONTENTS - CONTENIDO

Click Any Diagram Description Below To View That Diagram

Chasque cualquier descripción del diagrama abajo para ver ese diagrama

| | |
|---|----|
| Engine Cover, Intake, Fuel System, Ignition Switch | 3 |
| Cubierta del Motor, Admisión, Sistema de Combustible, Interruptor del Encendido | |
| Carburetor -- WT-908 | 5 |
| Carburador -- WT-908 | |
| Exhaust | 7 |
| Escape | |
| Chain Brake S/N: C02803001001 - C02803001300 | 8 |
| Freno de la Cadena N/S:C02803001001 - C02803001300 | |
| Chain Brake S/N: C02803001301 - C02803999999 | 10 |
| Freno de la Cadena N/S: C02803001301 - C02803999999 | |
| Standard Guide Bar, Sawing Chain, Kick Guard | 12 |
| Barra Guía estándar, Cadena de Sierra, protector contra patadas | |
| Clutch | 13 |
| Embrague | |
| Starter | 14 |
| Arrancador | |
| Ignition | 15 |
| Ignición | |
| Handles, Throttle Control | 16 |
| Mangos, Control del Acelerador | |
| Auto-Oiler, Oil Tank | 17 |
| Lubricador Automático, tanque de aceite | |
| Engine, Short Block -- SB1080, Engine Cover | 18 |
| Motor, bloque corto -- SB1080, cubierta del Motor | |
| Labels | 19 |
| Etiquetas | |
| Part Number Index | 20 |
| Índice Del Número De Parte | |

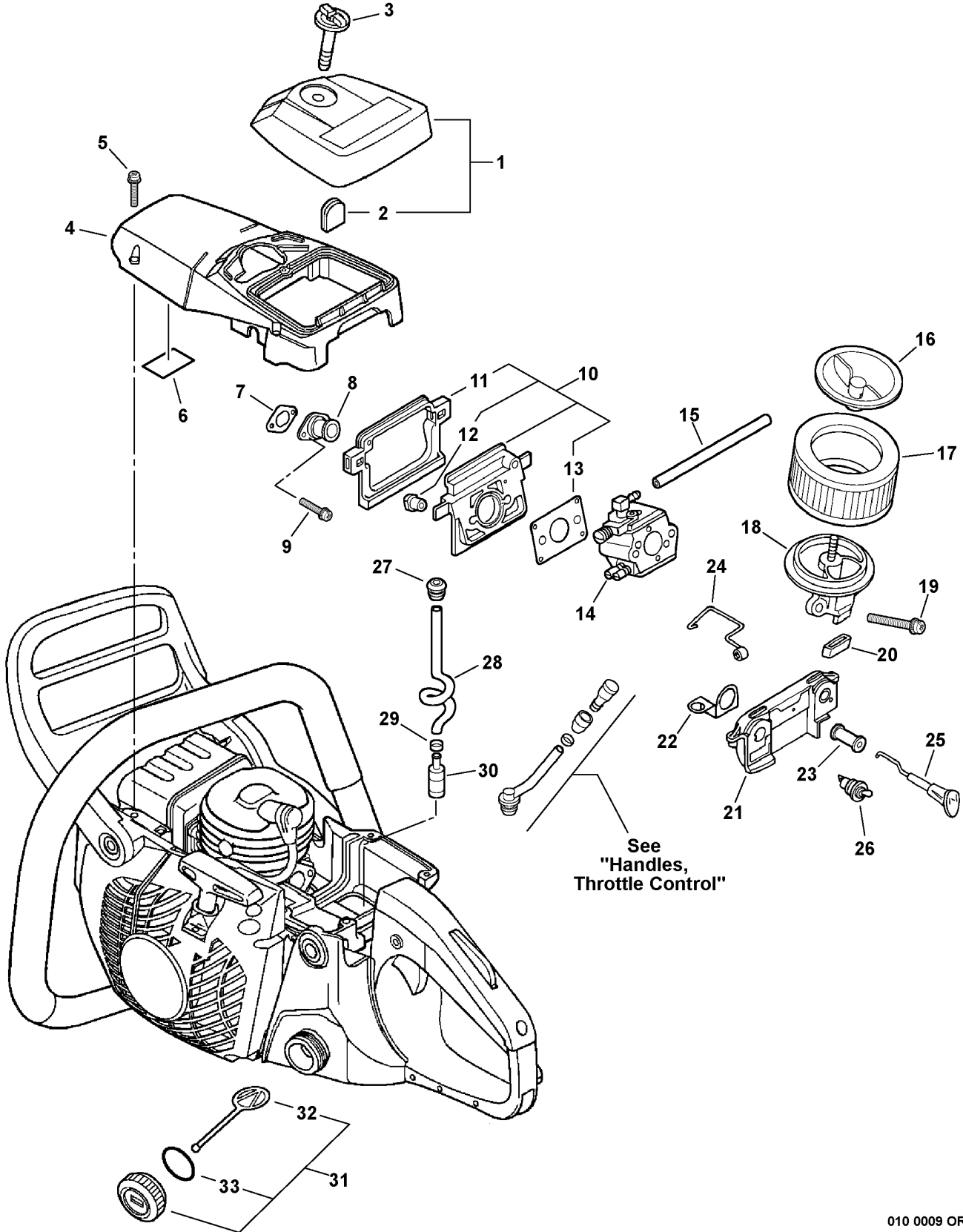


NOTES -- NOTAS

Motosierra

Engine Cover, Intake, Fuel System, Ignition Switch

Cubierta del Motor, Admisión, Sistema de Combustible, Interruptor del Encendido

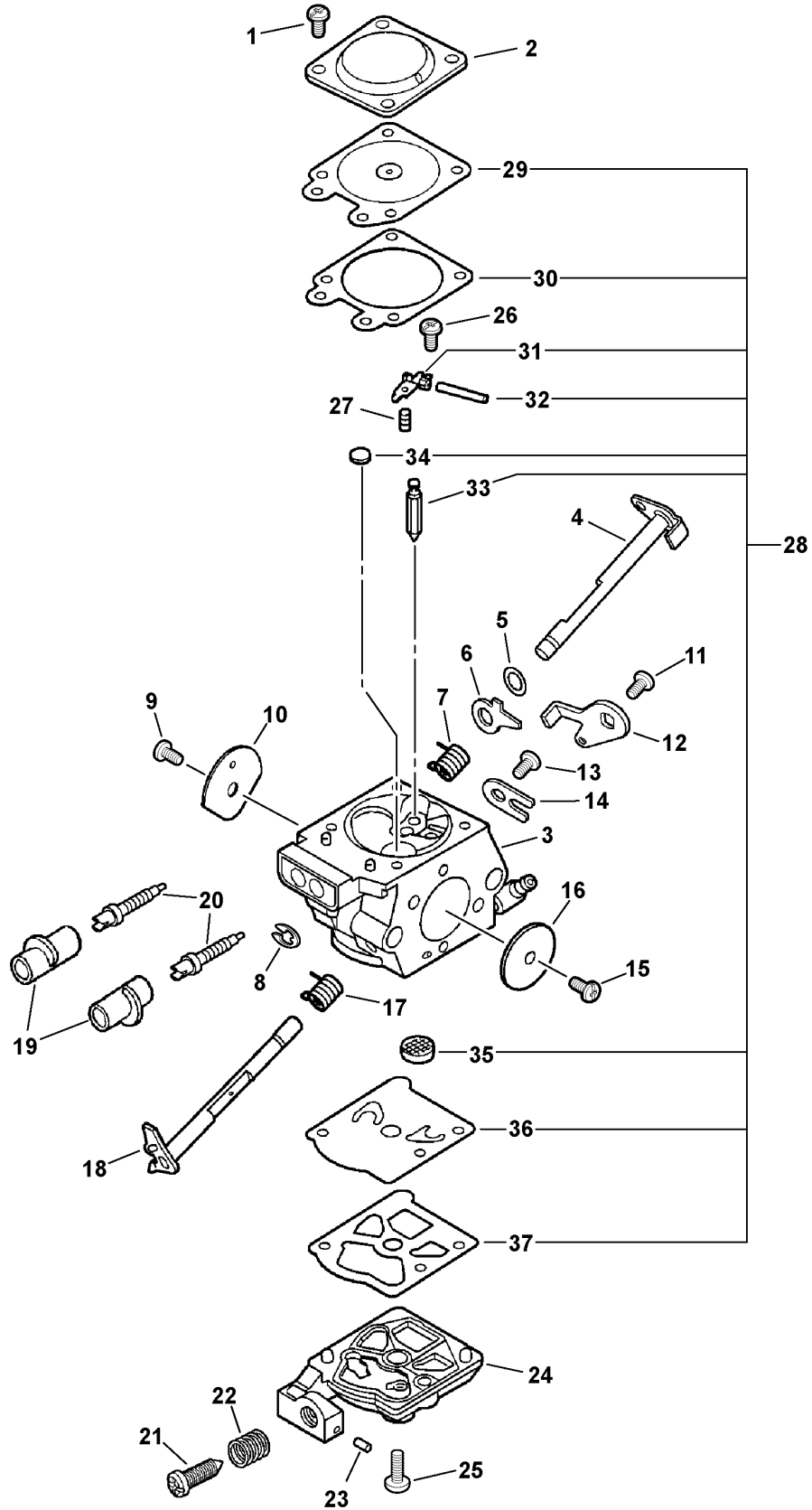


010 0009 ORG

| | | | | |
|----|---------------|---|---------------------------|---|
| ① | P021007153 | 1 | AIR CLEANER COVER ASY | CONJUNTO DE CUBIERTA DEL FILTRO DE AIRE |
| 2 | + 13033832430 | 1 | PLUG | TAPÓN |
| 3 | A235000020 | 1 | KNOB, AIR CLEANER LID | PERILLA, CUBIERTA DEL FILTRO DE AIRE |
| 4 | A160000950 | 1 | COVER, ENGINE | CUBIERTA, MOTOR |
| 5 | 16389038330 | 3 | SCREW - 5 | TORNILLO - 5 |
| 6 | 10152035430 | 1 | DEFLECTOR, HEAT | DEFLECTOR, CALOR |
| 7 | 13001639930 | 1 | GASKET, INTAKE | JUNTA, ADMISIÓN |
| 8 | 13051039932 | 1 | BELLOWS, INTAKE | FUELLE, ADMISIÓN |
| 9 | 90023805012 | 2 | SCREW - 5X12 | TORNILLO - 5X12 |
| 10 | 13000038331 | 1 | INSULATOR KIT | KIT DE AISLANTE |
| 11 | + V420001130 | 1 | CUSHION | COJÍN |
| 12 | + 13002033330 | 2 | T-NUT | TUERCA ENT |
| 13 | + 13001038330 | 1 | GASKET, INTAKE | JUNTA, ADMISIÓN |
| 14 | ----- | 1 | CARBURETOR ⁽¹⁾ | CARBURADOR ⁽¹⁾ |
| 15 | 13011038330 | 1 | PIPE, IMPULSE | TUBO, DE IMPULSO |
| 16 | 13040538332 | 1 | COVER, AIR CLEANER | CUBIERTA, FILTRO DE AIRE |
| 17 | 13031038331 | 1 | FILTER, AIR | FILTRO DE AIRE |
| 18 | A204000004 | 1 | ADAPTER, INTAKE | ADAPTADOR, ADMISIÓN |
| 19 | 90016205050 | 2 | SCREW - 5X55 | TORNILLO - 5X55 |
| 20 | 13043038330 | 1 | CUSHION | COJÍN |
| 21 | 16381038933 | 1 | BRACKET, SWITCH | SOPORTE, INTERRUPTOR |
| 22 | 16341338930 | 1 | CONTACT, SWITCH | CONTACTO, INTERRUPTOR |
| 23 | 17881014534 | 1 | GROMMET | ANILLO DE GOMA |
| 24 | C454000150 | 1 | ROD, THROTTLE | VARILLA, ACELERADOR |
| 25 | A241000101 | 1 | ROD, CHOKE | VARILLA, AHOGADOR |
| 26 | 16340038330 | 1 | IGNITION SWITCH ASY | CONJUNTO DE INTERRUPTOR DEL ENCENDIDO |
| 27 | 13211504920 | 1 | GROMMET | ANILLO DE GOMA |
| 28 | 13201038331 | 1 | PIPE, FUEL - SPIRAL | TUBO, COMBUSTIBLE - EN ESPIRAL |
| 29 | 13201326630 | 1 | CLIP - 6.5 | GANCHO |
| 30 | 13120519831 | 1 | FILTER, FUEL | FILTRO DE COMBUSTIBLE |
| 31 | P021010600 | 1 | CAP ASY | CONJUNTO DE TAPA |
| 32 | + A365000050 | 1 | CONNECTOR, CAP | CONECTOR, TAPA |
| 33 | + 90072000022 | 1 | O-RING - 22 | ANILLO O - 22 |

(FOOTNOTE) 1 - See Carburetor Diagram For Details

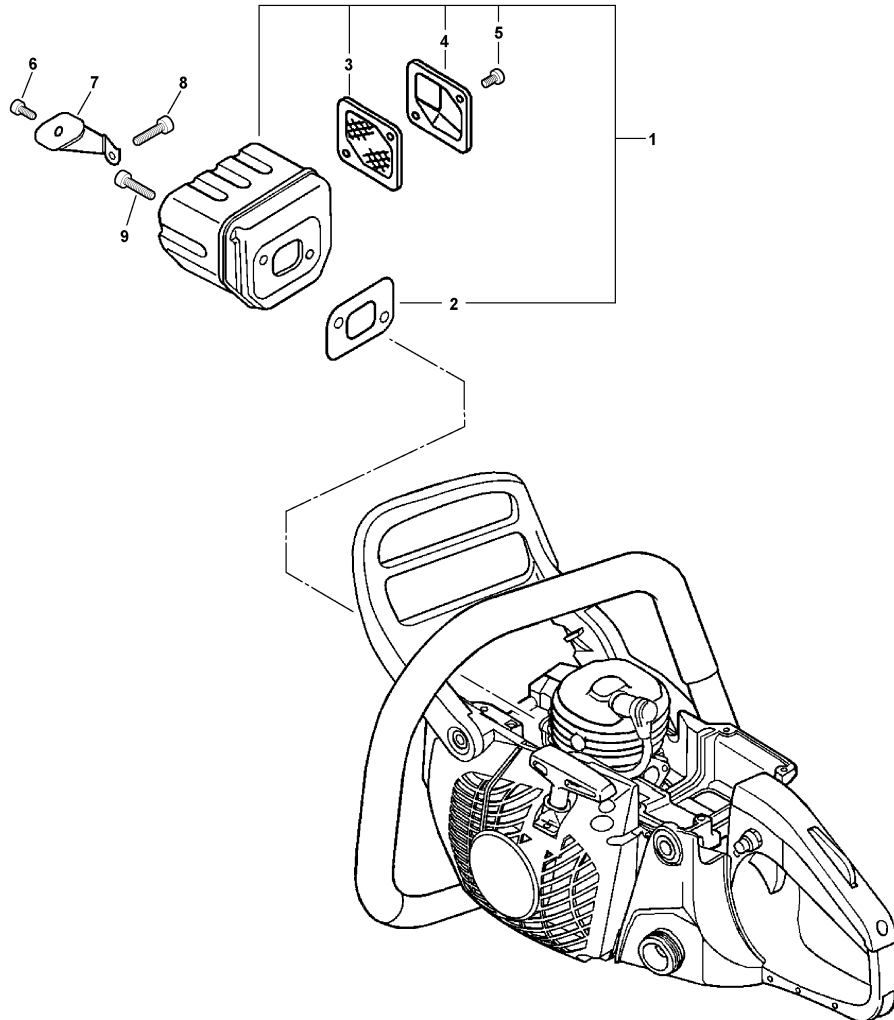
(NOTA DEL PIE) 1 - Vea el diagrama del carburador para los detalles



| | | | | |
|----|---------------|---|-------------------------|------------------------------------|
| | A021001620 | 1 | CARBURETOR -- WT-908 | CARBURADOR -- WT-908 |
| ① | + 12313002960 | 4 | SCREW | TORNILLO |
| 2 | + 12314203930 | 1 | COVER, DIAPHRAGM | CUBIERTA, DIAFRAGMA |
| 3 | + ----- | 1 | BODY, CARBURETOR (1) | CUERPO, CARBURADOR (1) |
| 4 | + 12313135430 | 1 | SHAFT, CHOKE | EJE, AHOGADOR |
| 5 | + 12314926030 | 1 | WASHER | ARANDELA |
| 6 | + P003001510 | 1 | LEVER, FAST IDLE | PALANCA, RALENTÍ RÁPIDO |
| 7 | + P003000140 | 1 | SPRING, CHOKE RETURN | RESORTE, RETORNO DEL AHOGADOR |
| 8 | + 12312715030 | 1 | RING, RETAINING | ANILLO, RETÉN |
| 9 | + 12311403930 | 1 | SCREW | TORNILLO |
| 10 | + 12313237330 | 1 | VALVE, CHOKE | VÁLVULA, AHOGADOR |
| 11 | + 12311403930 | 1 | SCREW | TORNILLO |
| 12 | + P003001520 | 1 | LEVER, THROTTLE | PALANCA, ACELERADOR |
| 13 | + 12313002960 | 1 | SCREW | TORNILLO |
| 14 | + 12312703930 | 1 | RING, RETAINING | ANILLO, RETÉN |
| 15 | + 12311403930 | 1 | SCREW | TORNILLO |
| 16 | + 12311610530 | 1 | VALVE, THROTTLE | VÁLVULA, ACELERADOR |
| 17 | + 12311337530 | 1 | SPRING, THROTTLE RETURN | RESORTE, RETORNO DE LA ACELERADOR |
| 18 | + P003001800 | 1 | SHAFT, THROTTLE | EJE, ACELERADOR |
| 19 | + P003000010 | 2 | CAP, LIMITER | TAPA, LIMITADOR |
| 20 | + 12311802261 | 2 | NEEDLE - HIGH SPEED | AGUJA - ALTA VELOCIDAD |
| 21 | + 12313404260 | 1 | SCREW, IDLE ADJUST | TORNILLO, AJUSTE DE RALENTÍ |
| 22 | + 12313304260 | 1 | SPRING, IDLE ADJUST | RESORTE, AJUSTE DEL MÍNIMO/RALENTÍ |
| 23 | + 12317815030 | 1 | PLUG, FRICTION | TAPÓN, DE FRICCIÓN |
| 24 | + 12312438330 | 1 | COVER, PUMP | CUBIERTA, BOMBA |
| 25 | + 12311003930 | 1 | SCREW, PUMP COVER | TORNILLO, CUBIERTA DE LA BOMBA |
| 26 | + 12313903930 | 1 | SCREW | TORNILLO |
| 27 | + 12312239330 | 1 | SPRING, METERING LEVER | RESORTE, PALANCA DE DOSIFICACIÓN |
| 28 | + P003002190 | 1 | REPAIR KIT | KIT DE REPARACIÓN |
| 29 | + ----- | 1 | DIAPHRAGM, METERING | DIAFRAGMA, DOSIFICACIÓN |
| 30 | + ----- | 1 | GASKET, DIAPHRAGM | JUNTA, DIAFRAGMA |
| 31 | + ----- | 1 | LEVER, METERING | PALANCA, DOSIFICACIÓN |
| 32 | + ----- | 1 | PIN, METERING LEVER | PASADOR, PALANCA DE DOSIFICACIÓN |
| 33 | + ----- | 1 | VALVE, INLET NEEDLE | VÁLVULA DE AGUJA, ADMISIÓN |
| 34 | + ----- | 1 | PLUG, WELCH | TAPÓN, WELCH |
| 35 | + ----- | 1 | STRAINER | TAMIZ |
| 36 | + ----- | 1 | DIAPHRAGM, PUMP | DIAFRAGMA, BOMBA |
| 37 | + ----- | 1 | GASKET, PUMP | JUNTA, BOMBA |

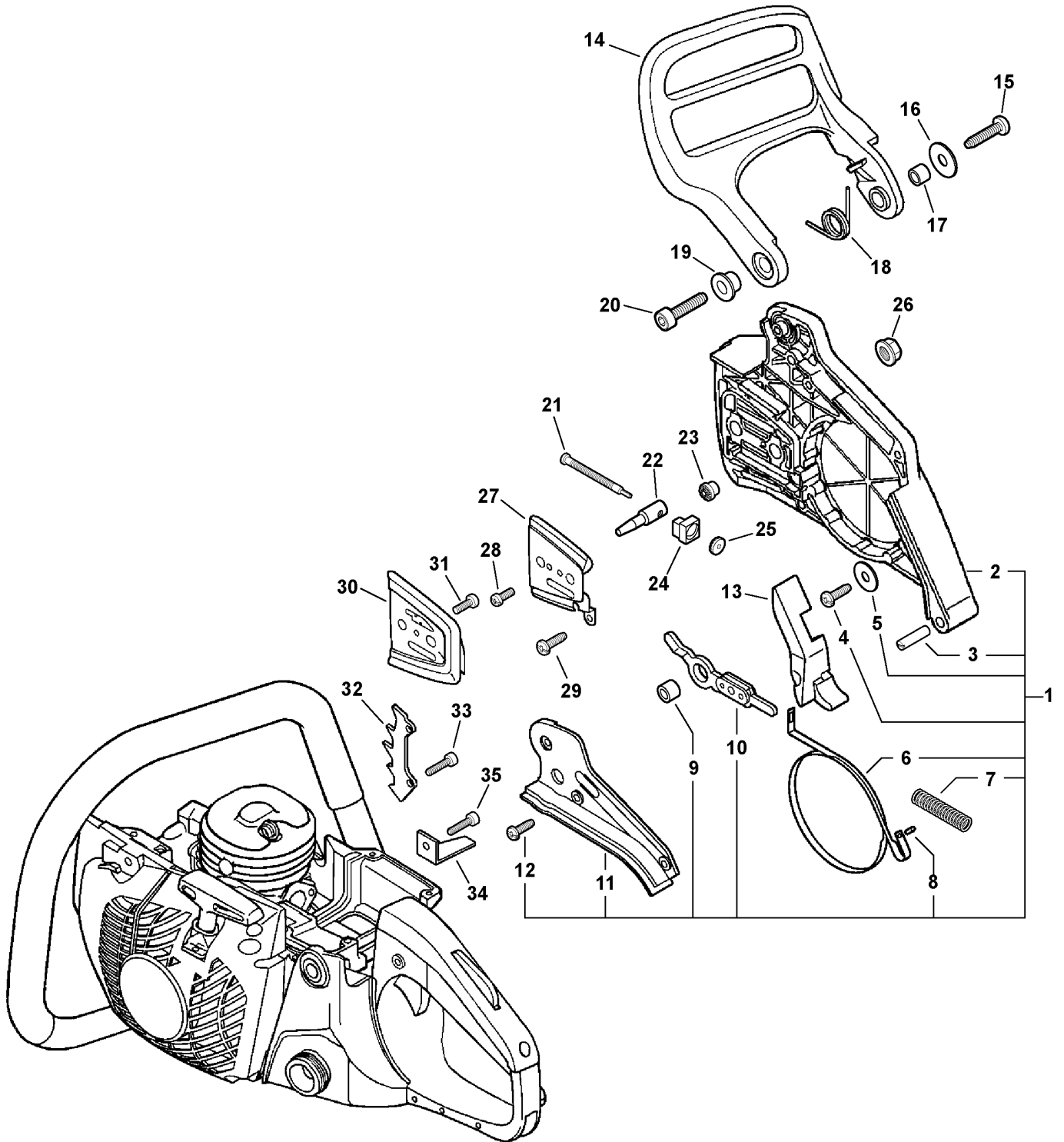
(FOOTNOTE) 1 - NOT AVAILABLE SEPARATELY

(NOTA DEL PIE) 1 - NO DISPONIBLE POR SEPARADO

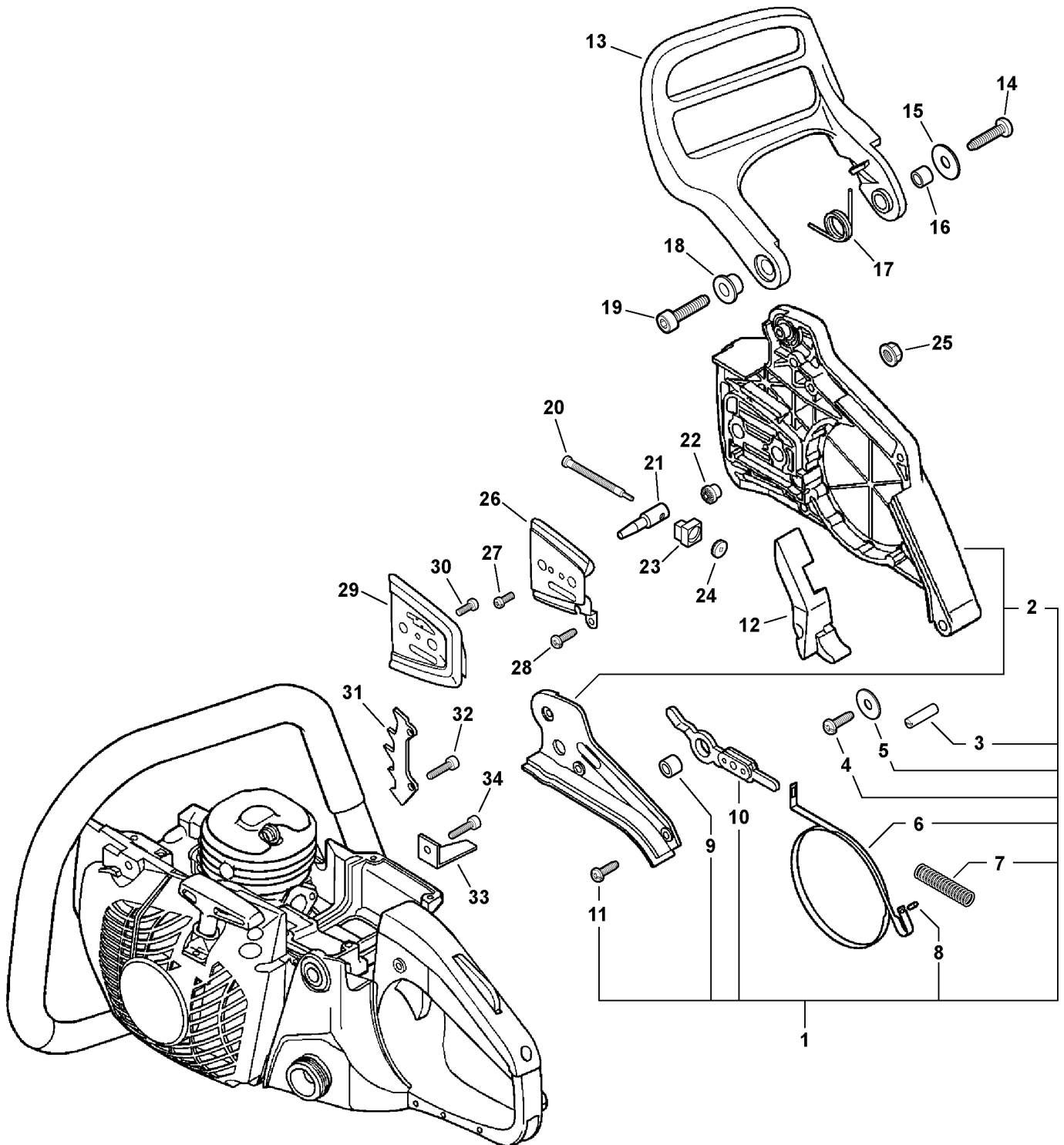


011 0008 000

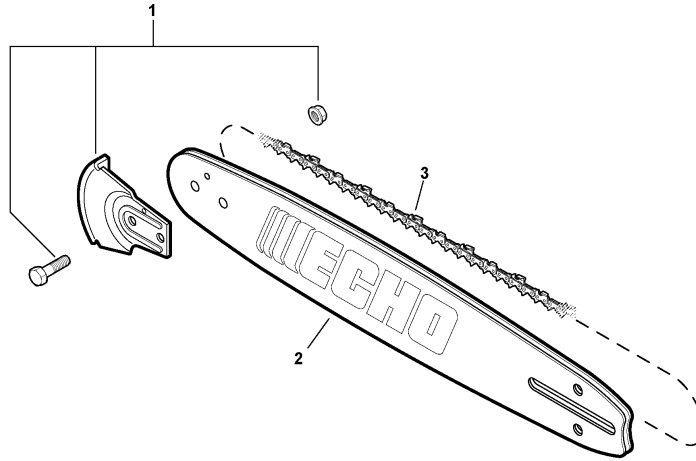
| | | | | |
|----------|---------------|---|------------------|-------------------------|
| 1 | P021014240 | 1 | MUFFLER ASY | CONJUNTO DE SILENCIADOR |
| 2 | + 14551035431 | 1 | GASKET, EXHAUST | JUNTA, ESCAPE |
| 3 | + 14588439330 | 1 | SCREEN | PANTALLA |
| 4 | + A303000120 | 1 | GUIDE, EXHAUST | GUÍA, ESCAPE |
| 5 | + 90025004008 | 2 | SCREW - 4X8 | TORNILLO - 4X8 |
| 6 | 9110006008 | 1 | SCREW | TORNILLO |
| 7 | A319000080 | 1 | BRACKET, MUFFLER | SOPORTE, SILENCIADOR |
| 8 | 90010506014 | 1 | SCREW - 6X14 | TORNILLO - 6X14 |
| 9 | 90010505014 | 2 | SCREW - 5X14 | TORNILLO - 5X14 |



| | | | | |
|----|---------------|---|--------------------------|---------------------------------------|
| ① | C032000321 | 1 | CHAIN BRAKE ASY - ORANGE | CONJUNTO DE FRENO DE CADENA - NARANJA |
| 2 | + C300000351 | 1 | GUARD, SPROCKET | PROTECTOR, RUEDA DENTADA |
| 3 | + 90034260025 | 1 | PIN, SPRING | PASADOR, DE RESORTE |
| 4 | + 90025304016 | 1 | SCREW - 4X16 -- TAPPING | TORNILLO - 4X16 -- AUTOROSCANTE |
| 5 | + 35124906960 | 1 | WASHER | ARANDELA |
| 6 | + C328000110 | 1 | BAND, BRAKE | BANDA DE FRENO |
| 7 | + V450000070 | 1 | SPRING | RESORTE |
| 8 | + 90033030120 | 1 | PIN | PASADOR |
| 9 | + 43311635430 | 1 | SPACER | ESPACIADOR |
| 10 | + C334000090 | 1 | CONNECTOR, BRAKE | CONECTOR, FRENO |
| 11 | + C345000241 | 1 | COVER, BRAKE | CUBIERTA, FRENO |
| 12 | + V202000060 | 3 | SCREW - 4X12 -- TAPPING | TORNILLO - 4X12 -- AUTOROSCANTE |
| 13 | C302000000 | 1 | CUSHION | COJÍN |
| 14 | C320000141 | 1 | LEVER, BRAKE | PALANCA, FRENO |
| 15 | V202000120 | 1 | SCREW - 4X14 | TORNILLO - 4X14 |
| 16 | 17721403930 | 1 | WASHER | ARANDELA |
| 17 | 43311635430 | 1 | SPACER | ESPACIADOR |
| 18 | V452000250 | 1 | SPRING | RESORTE |
| 19 | V356000300 | 1 | COLLAR | ESPACIADOR |
| 20 | 90010505030 | 1 | SCREW - 5X30 | TORNILLO - 5X30 |
| 21 | V203000110 | 1 | BOLT | PERNO |
| 22 | C309000030 | 1 | TENSIONER, CHAIN | SENSOR, CADENA |
| 23 | V651000001 | 1 | GEAR, BEVEL | ENGRANAJE, CÓNICO |
| 24 | V355000270 | 1 | COLLAR - 8 | ESPACIADOR - 8 |
| 25 | V651000011 | 1 | GEAR, BEVEL | ENGRANAJE, CÓNICO |
| 26 | 43301912330 | 2 | NUT - FLANGE | TUERCA - BRIDA |
| 27 | C305000001 | 1 | PLATE, GUIDE - OUTER | PLACA, GUÍA - EXTERIOR |
| 28 | 90022003006 | 1 | SCREW - 3X6 | TORNILLO - 3X6 |
| 29 | V202000060 | 1 | SCREW - 4X12 -- TAPPING | TORNILLO - 4X12 -- AUTOROSCANTE |
| 30 | 43301335432 | 1 | PLATE, GUIDE - INNER | PLACA, GUÍA - INTERIOR |
| 31 | 90022004006 | 1 | SCREW - 4X6 | TORNILLO - 4X6 |
| 32 | C304000030 | 1 | BUMPER, SPIKED | PARAGOLPES DE DIENTES |
| 33 | 90010505012 | 2 | SCREW - 5X12 | TORNILLO - 5X12 |
| 34 | C310000000 | 1 | CATCHER, CHAIN | ATRAPACADENA |
| 35 | 90016205014 | 1 | SCREW - 5X14 | TORNILLO - 5X14 |

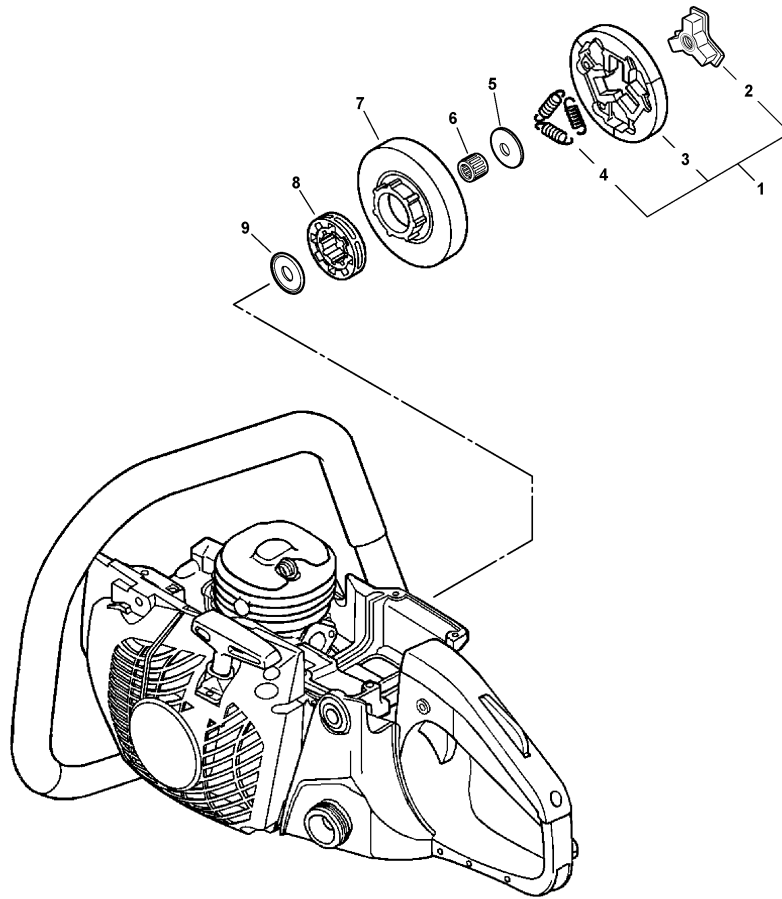


| | | | | |
|----------|---------------|---|--------------------------|---------------------------------------|
| 1 | C032000321 | 1 | CHAIN BRAKE ASY - ORANGE | CONJUNTO DE FRENO DE CADENA - NARANJA |
| 2 | + P021015240 | 1 | SPROCKET GUARD KIT | KIT DE PROTECTOR DE RUEDA DENTADA |
| 3 | + 90034260025 | 1 | PIN, SPRING | PASADOR, DE RESORTE |
| 4 | + 90025304016 | 1 | SCREW - 4X16 -- TAPPING | TORNILLO - 4X16 -- AUTOROSCANTE |
| 5 | + 35124906960 | 1 | WASHER | ARANDELA |
| 6 | + C328000110 | 1 | BAND, BRAKE | BANDA DE FRENO |
| 7 | + V450000070 | 1 | SPRING | RESORTE |
| 8 | + 90033030120 | 1 | PIN | PASADOR |
| 9 | + 43311635430 | 1 | SPACER | ESPACIADOR |
| 10 | + C334000090 | 1 | CONNECTOR, BRAKE | CONECTOR, FRENO |
| 11 | + V202000060 | 3 | SCREW - 4X12 -- TAPPING | TORNILLO - 4X12 -- AUTOROSCANTE |
| 12 | C302000000 | 1 | CUSHION | COJÍN |
| 13 | C320000141 | 1 | LEVER, BRAKE | PALANCA, FRENO |
| 14 | V202000120 | 1 | SCREW - 4X14 | TORNILLO - 4X14 |
| 15 | 17721403930 | 1 | WASHER | ARANDELA |
| 16 | 43311635430 | 1 | SPACER | ESPACIADOR |
| 17 | V452000250 | 1 | SPRING | RESORTE |
| 18 | V356000300 | 1 | COLLAR | ESPACIADOR |
| 19 | 90010505030 | 1 | SCREW - 5X30 | TORNILLO - 5X30 |
| 20 | V203000110 | 1 | BOLT | PERNO |
| 21 | C309000030 | 1 | TENSIONER, CHAIN | TENSOR, CADENA |
| 22 | V651000001 | 1 | GEAR, BEVEL | ENGRANAJE, CÓNICO |
| 23 | V355000270 | 1 | COLLAR - 8 | ESPACIADOR - 8 |
| 24 | V651000011 | 1 | GEAR, BEVEL | ENGRANAJE, CÓNICO |
| 25 | 43301912330 | 2 | NUT - FLANGE | TUERCA - BRIDA |
| 26 | C305000001 | 1 | PLATE, GUIDE - OUTER | PLACA, GUÍA - EXTERIOR |
| 27 | 90022003006 | 1 | SCREW - 3X6 | TORNILLO - 3X6 |
| 28 | V202000060 | 1 | SCREW - 4X12 -- TAPPING | TORNILLO - 4X12 -- AUTOROSCANTE |
| 29 | 43301335432 | 1 | PLATE, GUIDE - INNER | PLACA, GUÍA - INTERIOR |
| 30 | 90022004006 | 1 | SCREW - 4X6 | TORNILLO - 4X6 |
| 31 | C304000030 | 1 | BUMPER, SPIKED | PARAGOLPES DE DIENTES |
| 32 | 90010505012 | 2 | SCREW - 5X12 | TORNILLO - 5X12 |
| 33 | C310000000 | 1 | CATCHER, CHAIN | ATRAPACADENA |
| 34 | 90016205014 | 1 | SCREW - 5X14 | TORNILLO - 5X14 |



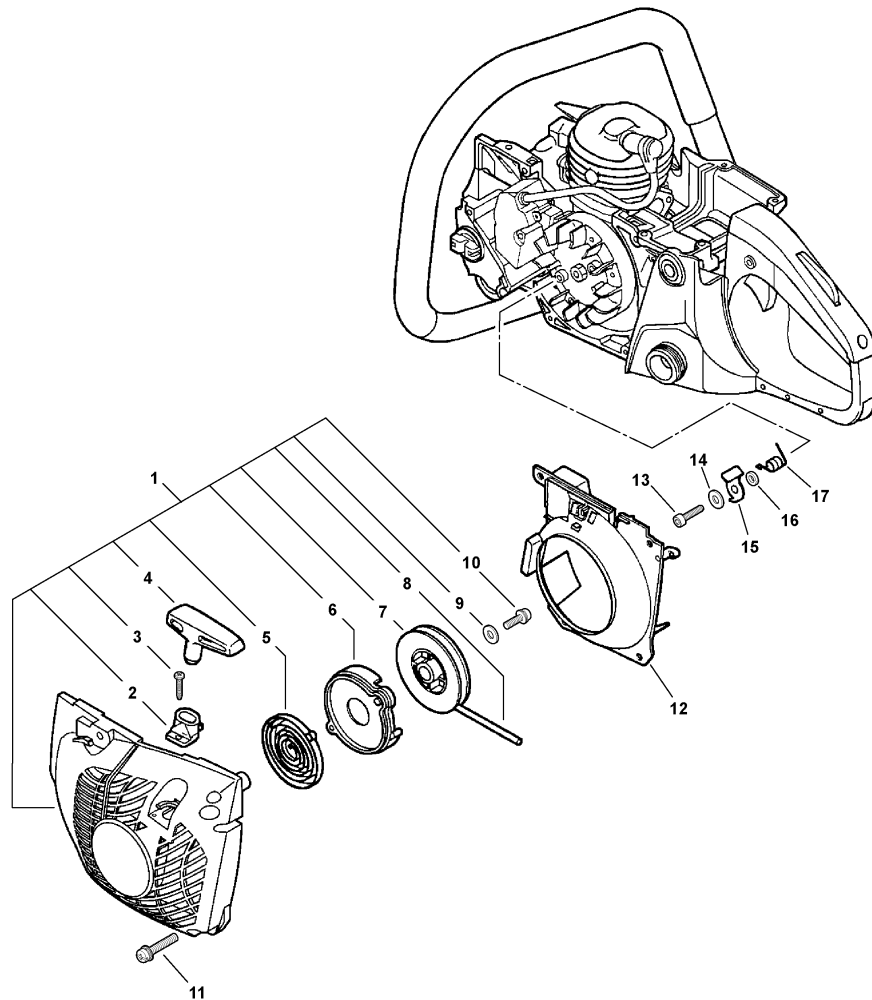
016 0015 000

| | | | | |
|----------|------------|---|---------------------------------------|--|
| 1 | 2894901 | 1 | KICK GUARD KIT | KIT DE PROTECTOR, PATADA |
| 2 | 20F0AD3378 | 1 | GUIDE BAR - 20" -- ProAm Double Guard | BARRA GUÍA - 20" -- ProAm Double Guard |
| 3 | 33SL78CQ | 1 | SAWING CHAIN - 20" -- Pro Guard | CADENA DE SIERRA - 20" -- Pro Guard |



014 0007 000

| | | | | |
|---|--------------|---|-----------------|------------------------------|
| ① | A056000111 | 1 | CLUTCH ASY | CONJUNTO DE EMBRAGUE |
| 2 | + A552000090 | 1 | HUB, CLUTCH | CUBO, EMBRAGUE |
| 3 | + P021007050 | 1 | CLUTCH SHOE SET | JUEGO DE ZAPATAS DE EMBRAGUE |
| 4 | + V451000500 | 3 | SPRING, CLUTCH | RESORTE, EMBRAGUE |
| 5 | A551000060 | 1 | PLATE, CLUTCH | PLACA, EMBRAGUE |
| 6 | V557000010 | 1 | BEARING, NEEDLE | COJINETE, DE AGUJAS |
| 7 | A556000021 | 1 | DRUM, CLUTCH | TAMBOR, EMBRAGUE |
| 8 | 17511412530 | 1 | SPROCKET, RIM | RUEDA DENTADA, ARO |
| 9 | A551000000 | 1 | PLATE, CLUTCH | PLACA, EMBRAGUE |

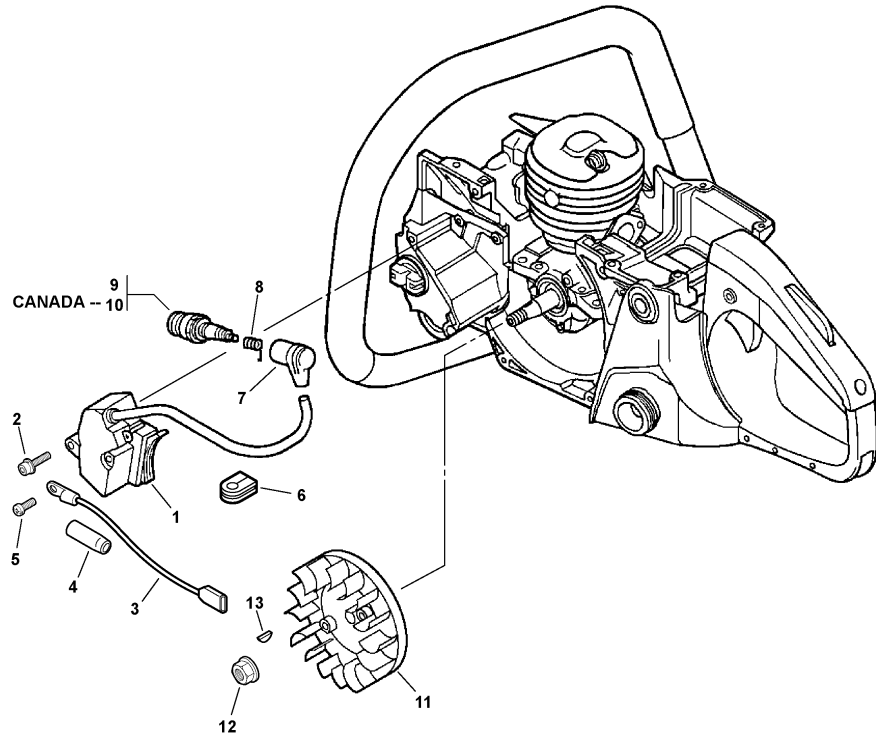


015 0007 000

| | | | | |
|----------|---------------|---|--|---|
| 1 | P021013481 | 1 | STARTER ASY | CONJUNTO DE ARRANCADOR |
| 2 | + 17722737930 | 1 | GUIDE, ROPE | GUÍA, CUERDA |
| 3 | + 90029603014 | 1 | SCREW - 3X14 | TORNILLO - 3X14 |
| 4 | + 17722835430 | 1 | GRIP, STARTER | AGARRE, ARRANCADOR |
| 5 | + 17722035430 | 1 | SPRING, REWIND | RESORTE, REBOBINADO |
| 6 | + 17722135430 | 1 | PLATE, STARTER | PLACA, ARRANCADOR |
| 7 | + A506000100 | 1 | REEL, ROPE | CARRETE, CUERDA |
| 8 | + 17722605310 | 1 | ROPE, STARTER - 3.5X960 ⁽¹⁾ | CUERDA, ARRANCADOR - 3.5X960 ⁽¹⁾ |
| 9 | + 17721402830 | 1 | WASHER | ARANDELA |
| 10 | + 90023805012 | 1 | SCREW - 5X12 | TORNILLO - 5X12 |
| 11 | 90023805018 | 4 | SCREW - 5X18 | TORNILLO - 5X18 |
| 12 | A172000062 | 1 | COVER, FAN | CUBIERTA, VENTILADOR |
| 13 | V203000090 | 2 | SCREW - 5X14 | TORNILLO - 5X14 |
| 14 | 90060300005 | 2 | WASHER - 5 | ARANDELA - 5 |
| 15 | 17721819830 | 2 | PAWL, STARTER | TRINQUETE, ARRANCADOR |
| 16 | 17724704630 | 2 | SPACER | ESPACIADOR |
| 17 | 17723435430 | 2 | SPRING, RETURN | RESORTE, RETORNO |

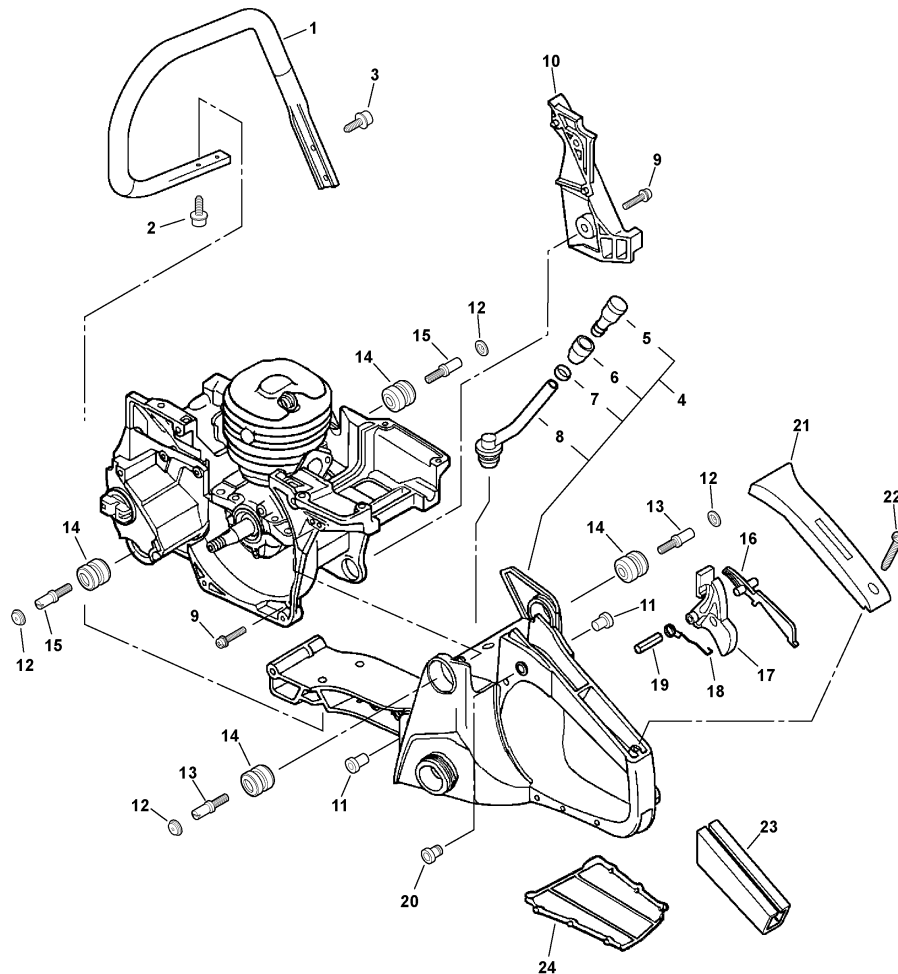
(FOOTNOTE) 1 - RePower BULK OPTION: 99944445000

(NOTA DEL PIE) 1 - OPCIÓN A GRANEL de la RePower: 99944445000



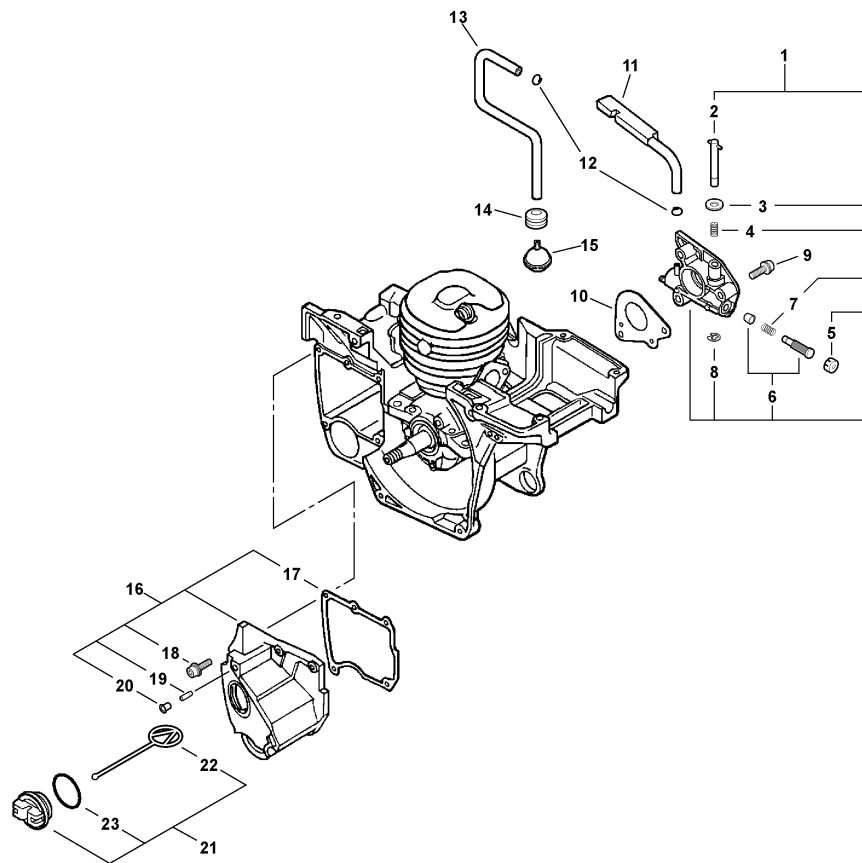
018 0008 000

| | | | | |
|----|-------------|---|--------------------------|-----------------------------|
| 1 | A411000031 | 1 | COIL, IGNITION | BOBINA, IGNICIÓN |
| 2 | 90016204030 | 2 | SCREW - 4X30 | TORNILLO - 4X30 |
| 3 | 16201038332 | 1 | LEAD - GROUND | CABLE - DE TIERRA |
| 4 | C483000000 | 1 | BOOT, CONNECTOR | FUNDA, CONECTOR |
| 5 | 90022004006 | 1 | SCREW - 4X6 | TORNILLO - 4X6 |
| 6 | V135000010 | 1 | GROMMET | ANILLO DE GOMA |
| 7 | A427000013 | 1 | CAP, SPARK PLUG | TAPA, BUJÍA |
| 8 | A426000010 | 1 | TERMINAL, SPARK PLUG CAP | TERMINAL, CAPUCHÓN DE BUJÍA |
| 9 | 15901019830 | 1 | SPARK PLUG -- BPM-8Y | BUJÍA -- BPM-8Y |
| 10 | A425000000 | 1 | SPARK PLUG -- BPMR-8Y | BUJÍA -- BPMR-8Y |
| 11 | A409000030 | 1 | FLYWHEEL | VOLANTE |
| 12 | 90051500008 | 1 | NUT - 8 -- FLANGE | TUERCA, DE BRIDA - 8 |
| 13 | 10014230830 | 1 | KEY, WOODRUFF | CHAVETA, WOODRUFF |



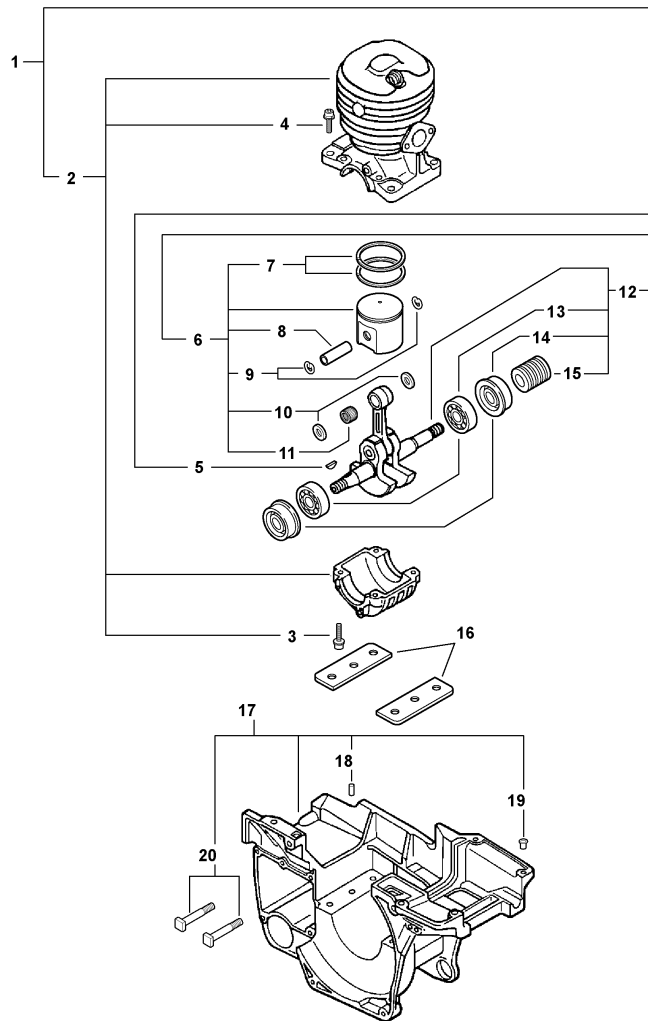
012 0008 ORG

| | | | | |
|-----------|----------------------|----------|-----------------------------|---|
| 1 | C400000010 | 1 | HANDLE - FRONT | MANGO - DELANTERO |
| 2 | 9114505016 | 2 | SCREW - 5X16 | TORNILLO - 5X16 |
| 3 | 9114505020 | 2 | SCREW - 5X20 | TORNILLO - 5X20 |
| 4 | P021012561 | 1 | REAR HANDLE ASY | CONJUNTO DE MANGO TRASERO |
| | + A356000030 | 1 | VENT, FUEL TANK | RESPIRADERO, TANQUE DE COMBUSTIBLE |
| 6 | + 13132840630 | 1 | COVER, VENT | CUBIERTA, RESPIRADERO |
| 7 | + 13201326630 | 1 | CLIP - 6.5 | GANCHO |
| 8 | + 13201239331 | 1 | PIPE, VENT - GROMMET | TUBO, RESPIRADERO - ANILLO DE GOMA |
| 9 | 90023805016 | 3 | SCREW - 5X16 | TORNILLO - 5X16 |
| 10 | C300000321 | 1 | COVER | CUBIERTA |
| 11 | 10091038330 | 2 | CUSHION | COJÍN |
| 12 | 10091838330 | 4 | CAP, CUSHION | TAPA, COJÍN |
| 13 | 10091532530 | 2 | SCREW | TORNILLO |
| 14 | 10092138330 | 4 | CUSHION | COJÍN |
| 15 | 10091533930 | 2 | SCREW | TORNILLO |
| 16 | C460000072 | 1 | LOCKOUT, THROTTLE | BLOQUEO, ESTRANGULADOR |
| 17 | C450000212 | 1 | TRIGGER, THROTTLE | GATILLO, ACELERADOR |
| 18 | V452000260 | 1 | SPRING, TRIGGER | RESORTE, GATILLO |
| 19 | 90034540030 | 1 | PIN, SPRING - 4X30 | PASADOR, DE RESORTE - 4X30 |
| 20 | V162000040 | 1 | PLUG | TAPÓN |
| 21 | 35115535430 | 1 | COVER, HANDLE | CUBIERTA, MANGO |
| 22 | 90025304014 | 1 | SCREW - 4X14 | TORNILLO - 4X14 |
| 23 | 35111119830 | 1 | GRIP, HANDLE | AGARRE, MANGO |
| 24 | C418000040 | 1 | SHIELD, SNOW | PROTECTOR, NIEVE |



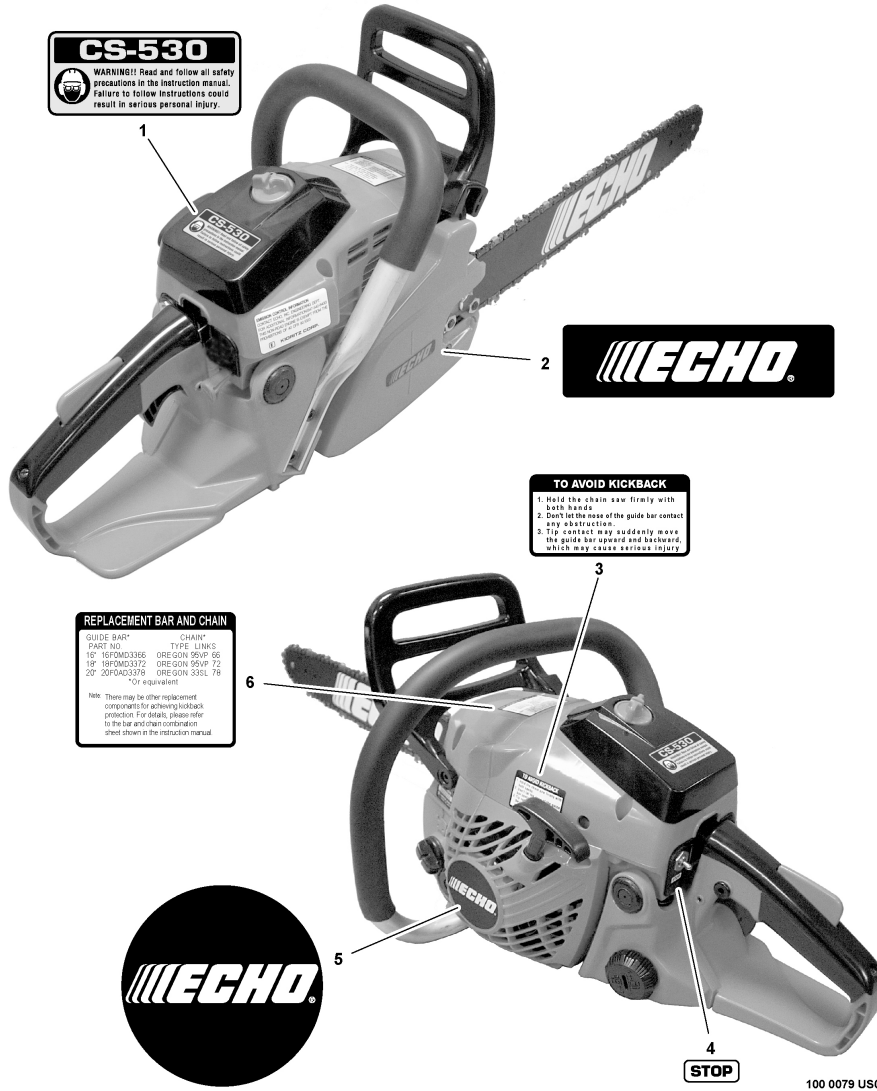
017 0006 ORG

| | | | | |
|----------|---------------|---|------------------|------------------------------|
| 1 | 43700238330 | 1 | AUTO-OILER ASY | CONJUNTO DE BOMBA DE ACEITE |
| 2 | + 43701638330 | 1 | NEEDLE, ADJUST | AGUJA, AJUSTE |
| 3 | + 43702937330 | 1 | WASHER | ARANDELA |
| 4 | + 43701537330 | 1 | SPRING | RESORTE |
| 5 | + 43706238330 | 1 | CAP, OIL PUMP | TAPA, BOMBA DE ACEITE |
| 6 | + 43702437330 | 1 | PLUNGER ASY | CONJUNTO DE ÉMBOLO |
| 7 | + 43701938330 | 1 | SPRING, PLUNGER | RESORTE, ÉMBOLO |
| 8 | + 12312715030 | 1 | RING, RETAINING | ANILLO, RETÉN |
| 9 | 90022304016 | 2 | SCREW - 4X16 | TORNILLO - 4X16 |
| 10 | 17531038330 | 1 | SEAL, DUST | SELLO, ANTI-POLVO |
| 11 | 43722938331 | 1 | PIPE, OIL | TUBO, ACEITE |
| 12 | 13201326630 | 2 | CLIP - 6.5 | GANCHO |
| 13 | 43721038330 | 1 | PIPE, OIL | TUBO, ACEITE |
| 14 | 13211512330 | 1 | GROMMET | ANILLO DE GOMA |
| 15 | 43620514730 | 1 | FILTER, OIL | FILTRO DE ACEITE |
| 16 | P021012550 | 1 | OIL TANK ASY | CONJUNTO DE TANQUE DE ACEITE |
| 17 | + 43601938330 | 1 | GASKET, OIL TANK | JUNTA, TANQUE DE ACEITE |
| 18 | + 90016304016 | 3 | SCREW - 4X16 | TORNILLO - 4X16 |
| 19 | + 43611413930 | 1 | VALVE, CHECK | VÁLVULA DE RETENCION |
| 20 | + 43601838330 | 1 | PIN, DOWEL | CLAVIJA |
| 21 | P021007630 | 1 | CAP ASY | CONJUNTO DE TAPA |
| 22 | + A365000050 | 1 | CONNECTOR, CAP | CONECTOR, TAPA |
| 23 | + 90072502025 | 1 | O-RING | ANILLO O |



SB1080 0001 ORG

| | | | | |
|-----------|----------------------|----------|------------------------------|---------------------------------------|
| 1 | SB1080 | 1 | SHORT BLOCK -- SB1080 | BLOQUE CORTO -- SB1080 |
| 2 | + P021006992 | 1 | CRANKCASE KIT | KIT DE CÁRTER |
| 3 | + 90010605020 | 4 | SCREW - 5X20 | TORNILLO - 5X20 |
| 4 | + V203000170 | 4 | SCREW - 5X22 | TORNILLO - 5X22 |
| 5 | + 10014230830 | 1 | KEY, WOODRUFF | CHAVETA, WOODRUFF |
| 6 | + P021006152 | 1 | PISTON KIT | KIT DE PISTÓN |
| 7 | + 10001139731 | 2 | RING, PISTON | ANILLO, PISTÓN |
| 8 | + V609000000 | 1 | PIN, PISTON | PASADOR, PISTÓN |
| 9 | + 10001532330 | 2 | RING, RETAINING | ANILLO, RETÉN |
| 10 | + V308000000 | 2 | SPACER, PISTON | ESPACIADOR, PISTÓN |
| 11 | + V556000000 | 1 | BEARING, NEEDLE | COJINETE, DE AGUJAS |
| 12 | + P021007140 | 1 | CRANKSHAFT ASY | CONJUNTO DE CIGÜEÑAL |
| 13 | + 90081036202 | 2 | BEARING, BALL - 6202 | COJINETE DE BOLAS - 6202 |
| 14 | + V508000000 | 2 | SEAL, OIL | SELLO, ACEITE |
| 15 | + V652000000 | 1 | GEAR, WORM | ENGRANAJE, TORNILLO SIN FIN |
| 16 | + V150001740 | 2 | PLATE | PLACA |
| 17 | + P021012470 | 1 | ENGINE COVER ASY | CONJUNTO DE CUBIERTA DEL MOTOR |
| 18 | + 10021503930 | 2 | PIN, DOWEL | CLAVIJA |
| 19 | + 43601838330 | 2 | PIN, DOWEL | CLAVIJA |
| 20 | + 43301119830 | 2 | STUD, GUIDE BAR | PRISIONERO, BARRA GUÍA |



100 0079 US0

| | | | |
|---|-------------|---------------------------|--------------------------------------|
| 1 | X503009050 | 1 LABEL - MODEL -- CS-530 | ETIQUETA - MODELO -- CS-530 |
| 2 | X502000340 | 1 LABEL - ECHO | ETIQUETA - ECHO |
| 3 | 89019130131 | 1 LABEL - KICK BACK | ETIQUETA - PRECAUCIÓN -- CONTRAGOLPE |
| 4 | 89015737330 | 1 LABEL - STOP | ETIQUETA - PARADA |
| 5 | X502000410 | 1 LABEL - ECHO | ETIQUETA - ECHO |
| 6 | X524002000 | 1 LABEL - BAR & CHAIN | ETIQUETA - BARRA Y CADENA |

PART NUMBER INDEX - ÍNDICE DEL NÚMERO DE PARTE

Click The Page Number After Any Part Number To View The Diagram Containing That Part
Chasque la página después de cualquier número de parte para ver el diagrama que contiene esa parte

| Part Number | Page | Part Number | Page | Part Number | Page | Part Number | Page |
|-------------|-----------|-------------|-----------|-------------|-------|-------------|------|
| ----- | 4, 6 | 2894901 | 12 | A426000010 | 15 | X502000340 | 19 |
| 10001139731 | 18 | 33SL78CQ | 12 | A427000013 | 15 | X502000410 | 19 |
| 10001532330 | 18 | 35111119830 | 16 | A506000100 | 14 | X503009050 | 19 |
| 10014230830 | 15, 18 | 35115535430 | 16 | A551000000 | 13 | X524002000 | 19 |
| 10021503930 | 18 | 35124906960 | 9, 11 | A551000060 | 13 | | |
| 10091038330 | 16 | 43301119830 | 18 | A552000090 | 13 | | |
| 10091532530 | 16 | 43301335432 | 9, 11 | A556000021 | 13 | | |
| 10091533930 | 16 | 43301912330 | 9, 11 | C032000321 | 9, 11 | | |
| 10091838330 | 16 | 43311635430 | 9, 11 | C300000321 | 16 | | |
| 10092138330 | 16 | 43601838330 | 17, 18 | C300000351 | 9 | | |
| 10152035430 | 4 | 43601938330 | 17 | C302000000 | 9, 11 | | |
| 12311003930 | 6 | 43611413930 | 17 | C304000030 | 9, 11 | | |
| 12311337530 | 6 | 43620514730 | 17 | C305000001 | 9, 11 | | |
| 12311403930 | 6 | 43700238330 | 17 | C309000030 | 9, 11 | | |
| 12311610530 | 6 | 43701537330 | 17 | C310000000 | 9, 11 | | |
| 12311802261 | 6 | 43701638330 | 17 | C320000141 | 9, 11 | | |
| 12312239330 | 6 | 43701938330 | 17 | C328000110 | 9, 11 | | |
| 12312438330 | 6 | 43702437330 | 17 | C334000090 | 9, 11 | | |
| 12312703930 | 6 | 43702937330 | 17 | C345000241 | 9 | | |
| 12312715030 | 6, 17 | 43706238330 | 17 | C400000010 | 16 | | |
| 12313002960 | 6 | 43721038330 | 17 | C418000040 | 16 | | |
| 12313135430 | 6 | 43722938331 | 17 | C450000212 | 16 | | |
| 12313237330 | 6 | 89015737330 | 19 | C454000150 | 4 | | |
| 12313304260 | 6 | 89019130131 | 19 | C460000072 | 16 | | |
| 12313404260 | 6 | 90010505012 | 9, 11 | C483000000 | 15 | | |
| 12313903930 | 6 | 90010505014 | 7 | P003000010 | 6 | | |
| 12314203930 | 6 | 90010505030 | 9, 11 | P003000140 | 6 | | |
| 12314926030 | 6 | 90010506014 | 7 | P003001510 | 6 | | |
| 12317815030 | 6 | 90010605020 | 18 | P003001520 | 6 | | |
| 13000038331 | 4 | 90016204030 | 15 | P003001800 | 6 | | |
| 13001038330 | 4 | 90016205014 | 9, 11 | P003002190 | 6 | | |
| 13001639930 | 4 | 90016205050 | 4 | P021006152 | 18 | | |
| 13002033330 | 4 | 90016304016 | 17 | P021006992 | 18 | | |
| 13011038330 | 4 | 90022003006 | 9, 11 | P021007050 | 13 | | |
| 13031038331 | 4 | 90022004006 | 9, 11, 15 | P021007140 | 18 | | |
| 13033832430 | 4 | 90022304016 | 17 | P021007153 | 4 | | |
| 13040538332 | 4 | 90023805012 | 4, 14 | P021007630 | 17 | | |
| 13043038330 | 4 | 90023805016 | 16 | P021010600 | 4 | | |
| 13051039932 | 4 | 90023805018 | 14 | P021012470 | 18 | | |
| 13120519831 | 4 | 90025004008 | 7 | P021012550 | 17 | | |
| 13132840630 | 16 | 90025304014 | 16 | P021012561 | 16 | | |
| 13201038331 | 4 | 90025304016 | 9, 11 | P021013481 | 14 | | |
| 13201239331 | 16 | 90029603014 | 14 | P021014240 | 7 | | |
| 13201326630 | 4, 16, 17 | 90033030120 | 9, 11 | P021015240 | 11 | | |
| 13211504920 | 4 | 90034260025 | 9, 11 | SB1080 | 18 | | |
| 13211512330 | 17 | 90034540030 | 16 | V135000010 | 15 | | |
| 14551035431 | 7 | 90051500008 | 15 | V150001740 | 18 | | |
| 14588439330 | 7 | 90060300005 | 14 | V162000040 | 16 | | |
| 15901019830 | 15 | 90072000022 | 4 | V202000060 | 9, 11 | | |
| 16201038332 | 15 | 90072502025 | 17 | V202000120 | 9, 11 | | |
| 16340038330 | 4 | 90081036202 | 18 | V203000090 | 14 | | |
| 16341338930 | 4 | 9110006008 | 7 | V203000110 | 9, 11 | | |
| 16381038933 | 4 | 9114505016 | 16 | V203000170 | 18 | | |
| 16389038330 | 4 | 9114505020 | 16 | V308000000 | 18 | | |
| 17511412530 | 13 | A021001620 | 6 | V355000270 | 9, 11 | | |
| 17531038330 | 17 | A056000111 | 13 | V356000300 | 9, 11 | | |
| 17721402830 | 14 | A160000950 | 4 | V420001130 | 4 | | |
| 17721403930 | 9, 11 | A172000062 | 14 | V450000070 | 9, 11 | | |
| 17721819830 | 14 | A204000004 | 4 | V451000500 | 13 | | |
| 17722035430 | 14 | A235000020 | 4 | V452000250 | 9, 11 | | |
| 17722135430 | 14 | A241000101 | 4 | V452000260 | 16 | | |
| 17722605310 | 14 | A303000120 | 7 | V508000000 | 18 | | |
| 17722737930 | 14 | A319000080 | 7 | V556000000 | 18 | | |
| 17722835430 | 14 | A356000030 | 16 | V557000010 | 13 | | |
| 17723435430 | 14 | A365000050 | 4, 17 | V609000000 | 18 | | |
| 17724704630 | 14 | A409000030 | 15 | V651000001 | 9, 11 | | |
| 17881014534 | 4 | A411000031 | 15 | V651000011 | 9, 11 | | |
| 20F0AD3378 | 12 | A425000000 | 15 | V652000000 | 18 | | |