



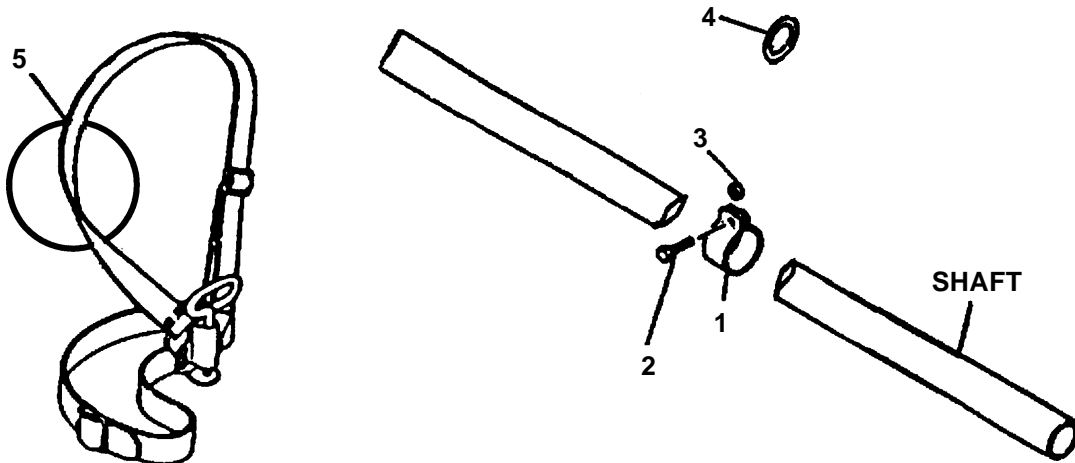
GT SHOULDER HARNESS KIT INSTRUCTIONS

P/N 99944200201

WARNING DANGER

This shoulder strap is only for use with ECHO curved shaft grass trimmers (GT's) or Echo tree trimmers (SRS's) equipped with ECHO approved attachments.

Never use this shoulder strap with ECHO SRM or CLS model units, serious injury may occur.



KEY	PART NUMBER	DESCRIPTION
1	30120708930	HOOK
2	90010005018	BOLT
3	69901203330	SPACER
4	30101652730	HARNESS RING
5	30100054331	SHOULDER HARNESS

INSTRUCTION

1. Enlarge the hook (1) so it can slide over the shaft of your ECHO curved shaft trimmer.
2. Position the hook on the shaft between the engine and the right hand grip.
3. Place ring (4) in the gap of the hook (1).
4. Install the bolt (2) through the non threaded hole in the hook (1), pass it through the spacer (3) and ring (4) and screw it in the threaded hole.
5. Position the assembly so the ring (4) is above the shaft and tighten securely.
6. The harness (5) is worn with the latch on the right side and the shoulder strap over the left shoulder.
7. Attach the strap latch to the ring (4).

Read and understand the ECHO Grass/Weed Trimmer, Brush Cutter and Clearing Saw Safety Manual (99922202600) for added operator information. Failure to do so will increase risk of injury.

Ask your dealer for your FREE COPY, or contact ECHO, INCORPORATED, 400 Oakwood Road, Lake Zurich, IL 60047.