



OPTIONAL ATTACHMENTS & ACCESSORIES

Accessories

99946400020 Power Pruner Orange Extension -- 5 Foot

Attachments

99946400040 Hedger Accessory

99946400050 Power Pruner Circle Saw Accessory

99946400060 Hedge Clipper Attachment

Guide Bars

1100373901 Guide Bar - 10" (.043" Ga)

1101373901 Guide Bar - 10" (.050" Ga)

1102373901 Guide Bar - 10" (.050" Ga)

1120374401 Guide Bar - 12" (.050" Ga)

1121374401 Guide Bar - 12" (.050" Ga)

1122374401 Guide Bar - 12" (.050" Ga)

Maintenance and Repair Kits

90030 RePower Filter Kit

90065 RePower Tune-Up Kit

P021002352 Gasket Kit

PARTS CATALOG

PPT-260 Power Pruner

25.4cc

SERIAL NUMBERS

S/N: 03001001-03999999

ECHO, INCORPORATED

400 Oakwood Road Lake Zurich, Illinois 60047 USA

WWW.ECHO-USA.COM



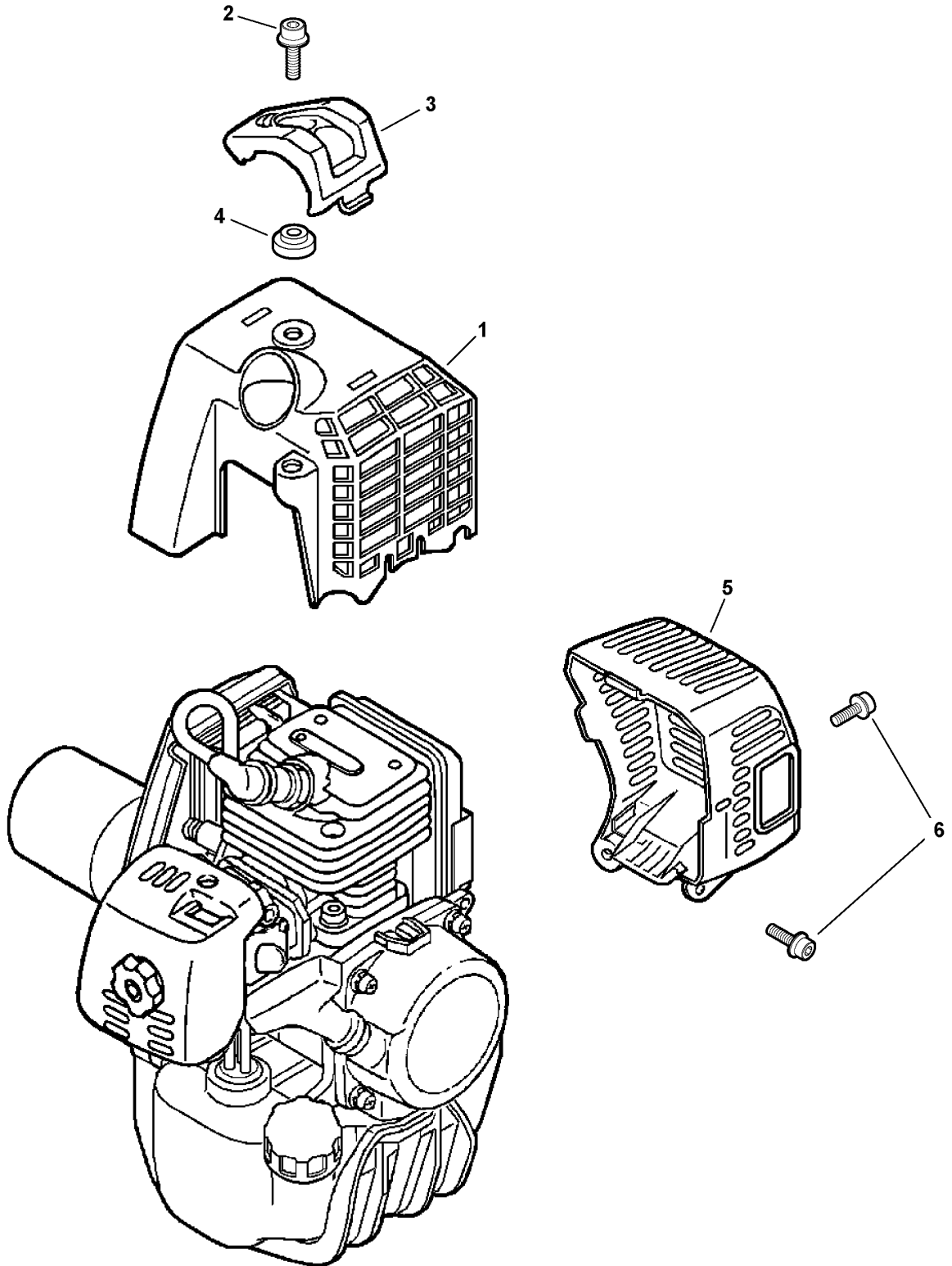
Table of Contents

Click Any Diagram Description Below To View That Diagram.

PPT-260 S/N: 03001001-03999999

| | |
|--|----|
| Engine Cover, Exhaust Cover..... | 4 |
| Fuel System..... | 6 |
| Fan Case, Clutch..... | 8 |
| Starter -- Standard..... | 10 |
| Intake..... | 12 |
| Carburetor -- WYJ-250B..... | 14 |
| Exhaust..... | 16 |
| Ignition..... | 18 |
| Engine, Short Block -- SB1047..... | 20 |
| Gear Case, Auto-Oiler, Guide Bar, Chain..... | 22 |
| Main Pipe -- Upper..... | 24 |
| Main Pipe, Throttle Cable, Stop Switch S/N: 03001001 - 03006148..... | 26 |
| Main Pipe, Throttle Cable, Stop Switch S/N: 03006149 - 03999999..... | 28 |
| Driveshaft, Connector..... | 30 |
| Labels..... | 32 |
| Tools..... | 34 |
| | |
| Part Number Index..... | 36 |
| Part Description Index..... | 37 |

This Page Intentionally Left Blank



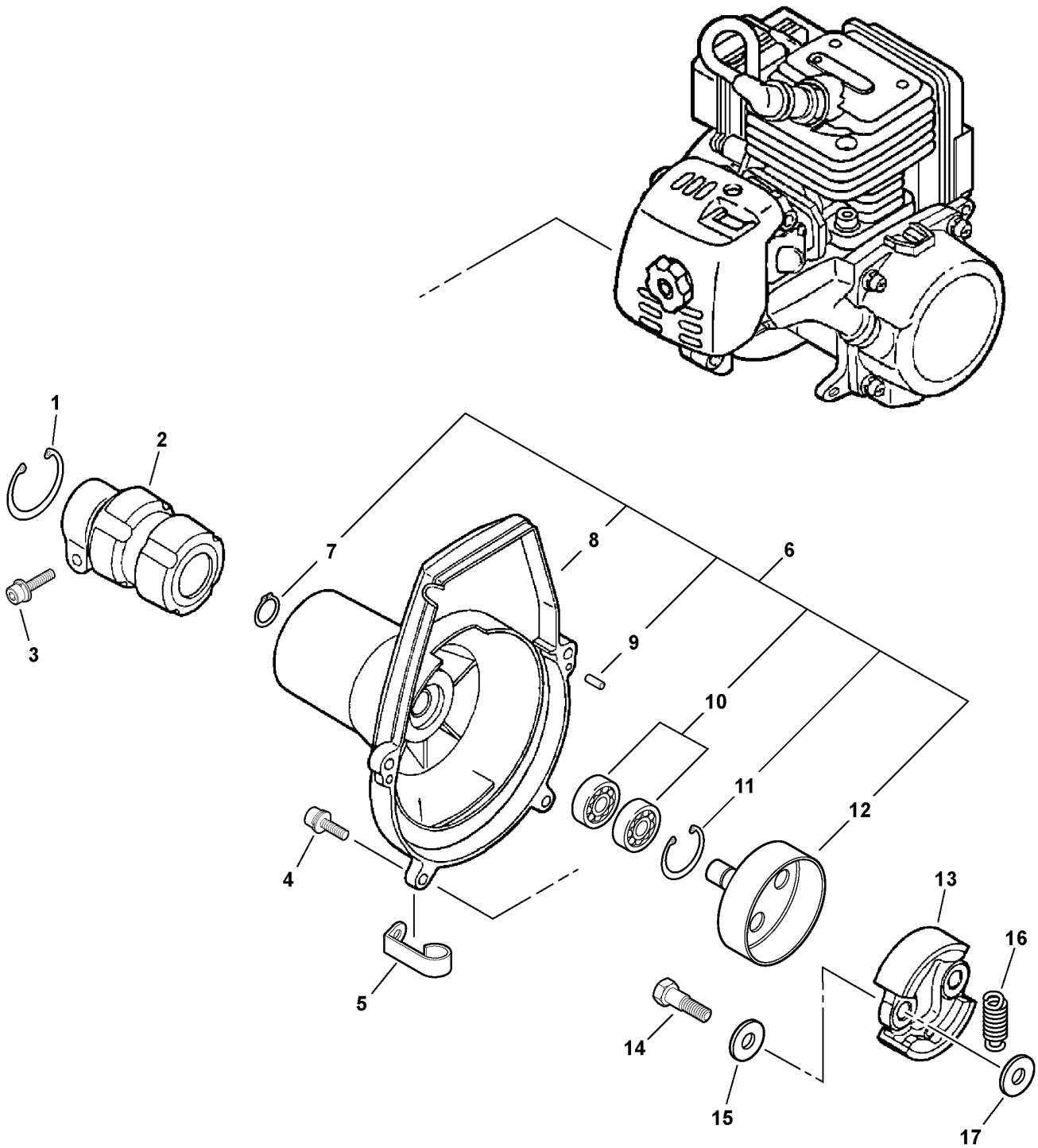
001 0023 000

| ITEM | PART NUMBER | QTY | DESCRIPTION | REMARKS |
|------|-------------|-----|------------------------|---------|
| 1 | A160000060 | 1 | COVER, ENGINE - ORANGE | |
| 2 | 9111005016 | 1 | SCREW - 5X16 | |
| 3 | A162000000 | 1 | GUARD, TOP | |
| 4 | V353000020 | 1 | COLLAR - 5 | |
| 5 | A320000003 | 1 | COVER, EXHAUST | |
| 6 | 90010605012 | 2 | SCREW - 5X12 | |

| ITEM | PART NUMBER | QTY | DESCRIPTION | REMARKS |
|------|-------------|-----|---------------------------|----------------------------|
| 1 | 30511057733 | 1 | STAND | |
| 2 | 90016205022 | 2 | SCREW - 5X22 | |
| 3 | 90024405020 | 1 | SCREW - 5X20 | |
| 4 | A350000111 | 1 | TANK, FUEL | INCLUDES ITEM 5 |
| 5 | 13104528230 | 2 | COLLAR | |
| 6 | 90060300005 | 2 | WASHER 5.5X12X0.8 | |
| 7 | 90016205016 | 2 | SCREW - 5X16 | |
| 8 | A356000030 | 1 | VALVE, CHECK | |
| 9 | 13201326630 | 2 | CLIP | |
| 10 | V471000110 | 1 | PIPE - 3X6X115 | REPOWER BULK OPTION: 90015 |
| 11 | 13201256030 | 1 | PIPE, RETURN - 3X6X80 | REPOWER BULK OPTION: 90017 |
| 12 | 13201052030 | 1 | PIPE, FUEL - 3X6X170 | REPOWER BULK OPTION: 90015 |
| 13 | 13211555930 | 1 | GROMMET | |
| 14 | 13120519831 | 1 | FILTER, FUEL ¹ | |
| 15 | 13100455530 | 1 | CAP ASY - ORANGE | INCLUDES ITEM 16-17 |
| 16 | 13101655830 | 1 | GASKET | |
| 17 | 13105156030 | 1 | CONNECTOR, CAP | |

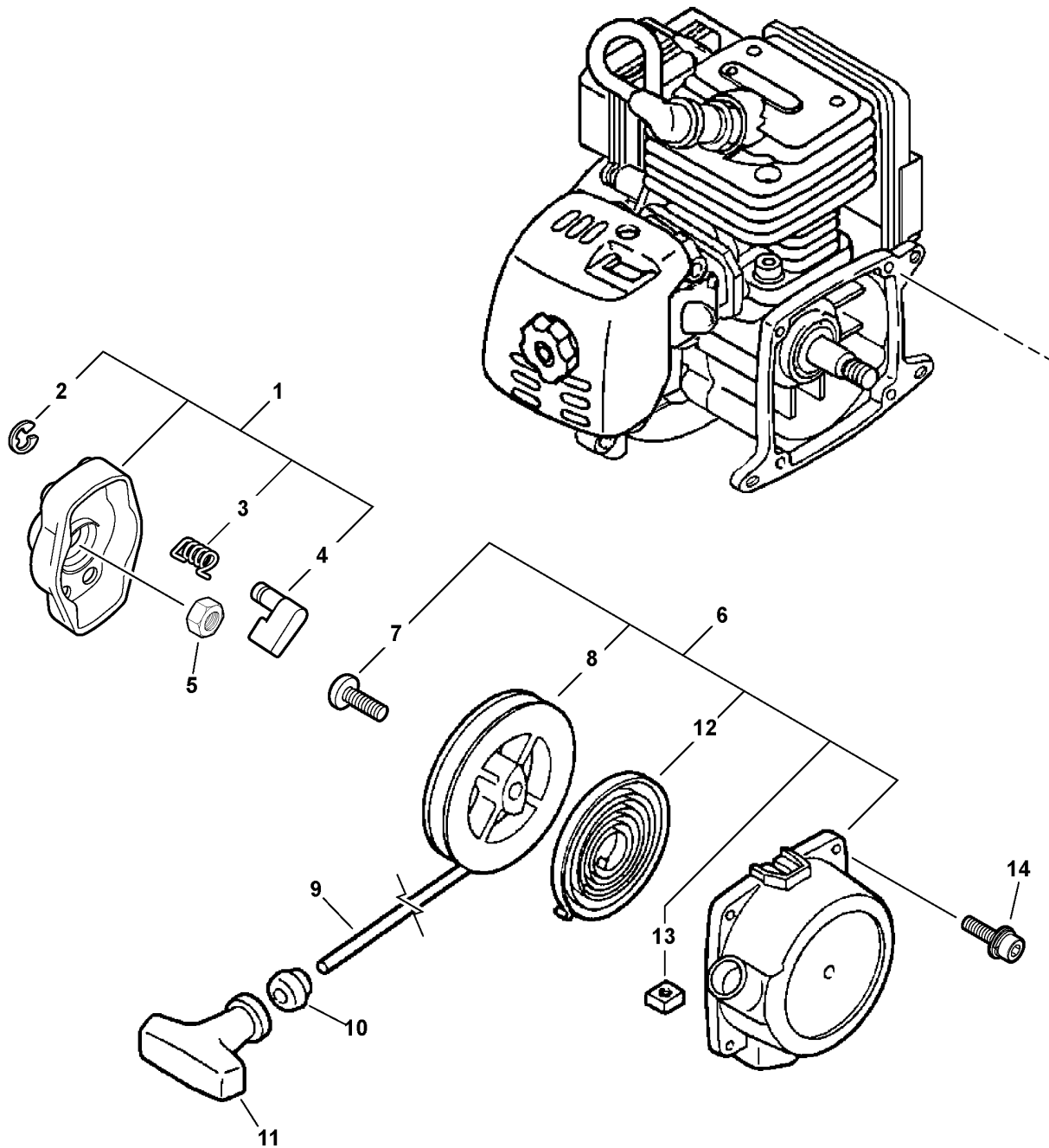
Footnotes

1: Also Included In REPOWER TUNE-UP & FILTER KITS



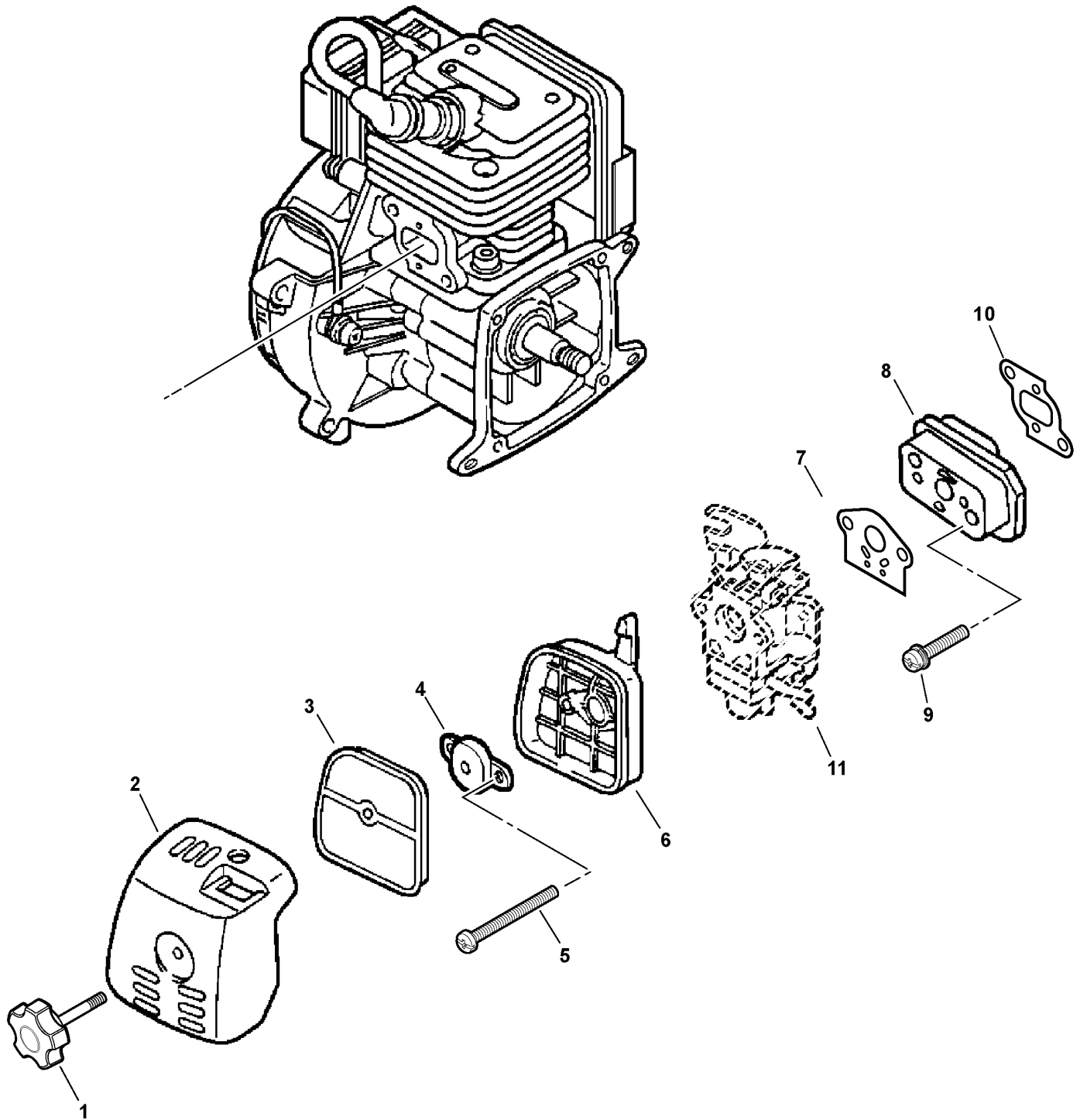
003 0012 00A

| ITEM | PART NUMBER | QTY | DESCRIPTION | REMARKS |
|------|-------------|-----|-----------------------|----------------------|
| 1 | 90070200042 | 1 | RING, RETAINING - 42 | |
| 2 | 61092255931 | 1 | HOLDER, MAIN PIPE | |
| 3 | 90016205028 | 1 | SCREW - 5X28 | |
| 4 | 90016205018 | 2 | SCREW - 5X18 | |
| 5 | 17811106230 | 1 | CLAMP | |
| 6 | P021001470 | 1 | FAN CASE ASY | INCLUDES ITEMS 12-17 |
| 7 | 90070100012 | 1 | RING, RETAINING - 12 | |
| 8 | A172000120 | 1 | FAN CASE ASY - ORANGE | |
| 9 | V622000020 | 2 | PIN, DOWEL | |
| 10 | 90080796001 | 2 | BEARING, BALL - 6001 | |
| 11 | 90070200028 | 1 | RING, RETAINING - 28 | |
| 12 | A556000030 | 1 | DRUM, CLUTCH | |
| 13 | A553000010 | 2 | SHOE, CLUTCH | |
| 14 | 17504656030 | 2 | BOLT, CLUTCH | |
| 15 | 17504956030 | 2 | WASHER, WAVE | |
| 16 | V451000090 | 1 | SPRING, CLUTCH | |
| 17 | 17504805530 | 2 | WASHER - 6 | |



004 0033 000

| ITEM | PART NUMBER | QTY | DESCRIPTION | REMARKS |
|------|-------------|-----|-------------------------|----------------------------------|
| 1 | A052000030 | 1 | STARTER PAWL ASY | INCLUDES ITEMS 2-4 |
| 2 | 90070000004 | 2 | RING, RETAINING - 4 | |
| 3 | 17723440630 | 2 | SPRING, RETURN | |
| 4 | 17721840630 | 2 | PAWL, STARTER | |
| 5 | 90050200008 | 1 | NUT - 8 | |
| 6 | 17720055931 | 1 | STARTER ASY | INCLUDES ITEMS 7-13 |
| 7 | 17723644330 | 1 | SCREW | |
| 8 | 17721540630 | 1 | REEL, ROPE | |
| 9 | 17722603930 | 1 | ROPE, STARTER - 3.5X850 | REPOWER BULK OPTION: 99944445000 |
| 10 | 17722742030 | 1 | GUIDE, ROPE | |
| 11 | 17722827030 | 1 | GRIP, STARTER | |
| 12 | 17722040630 | 1 | SPRING, REWIND | |
| 13 | 90056500005 | 1 | NUT, SQ. 5 | |
| 14 | 9112604012 | 4 | BOLT - 4X12 | |

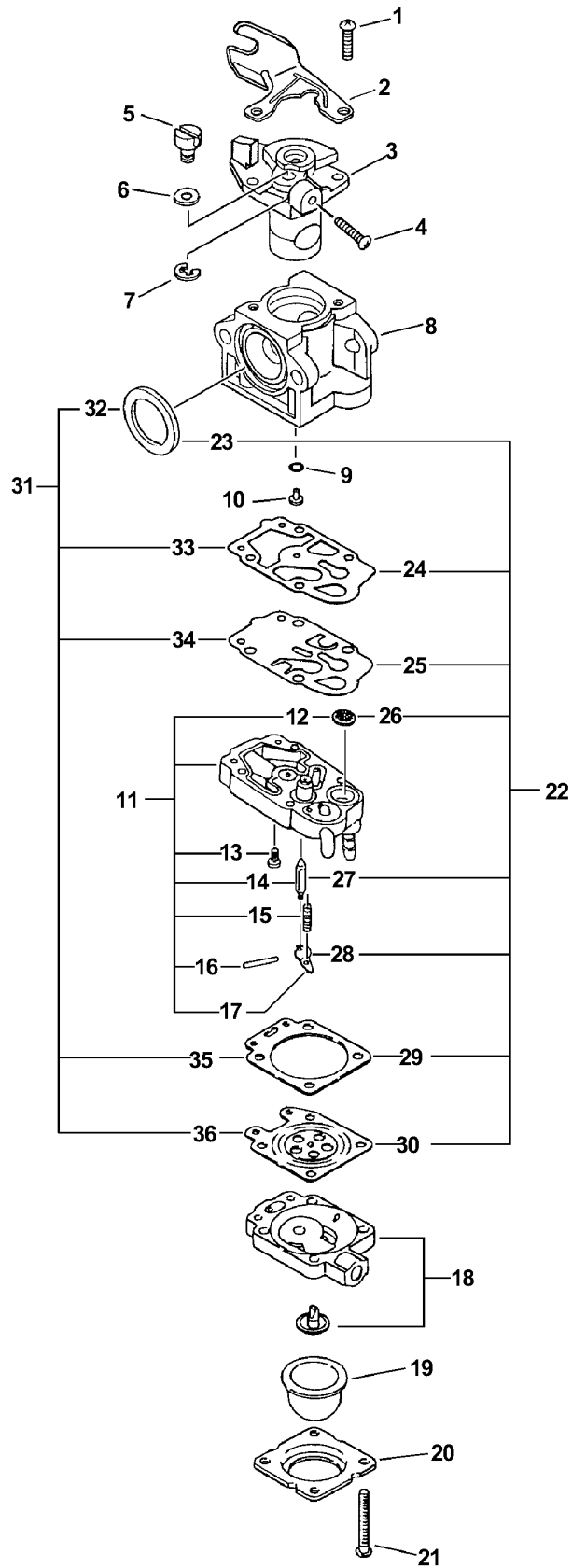


005 0033 000

| ITEM | PART NUMBER | QTY | DESCRIPTION | REMARKS |
|------|-------------|-----|---------------------------------------|---|
| 1 | 13040652131 | 1 | KNOB, FASTENER | |
| 2 | 13031357731 | 1 | COVER, AIR CLEANER | |
| 3 | 13031051830 | 1 | FILTER, AIR - HEAVY DUTY ¹ | |
| 4 | 12901157731 | 1 | PLATE, PREVENT | |
| 5 | 90024205060 | 2 | SCREW - 5X60 | |
| 6 | P021001430 | 1 | CASE, AIR CLEANER | |
| 7 | 13001013410 | 1 | GASKET, INTAKE ² | |
| 8 | 13001756431 | 1 | INSULATOR, INTAKE | |
| 9 | 90016205025 | 2 | SCREW - 5X25 | |
| 10 | 13001055930 | 1 | GASKET, INTAKE ² | |
| 11 | ----- | 1 | CARBURETOR | See Carburetor Diagram For Additional Information |

Footnotes

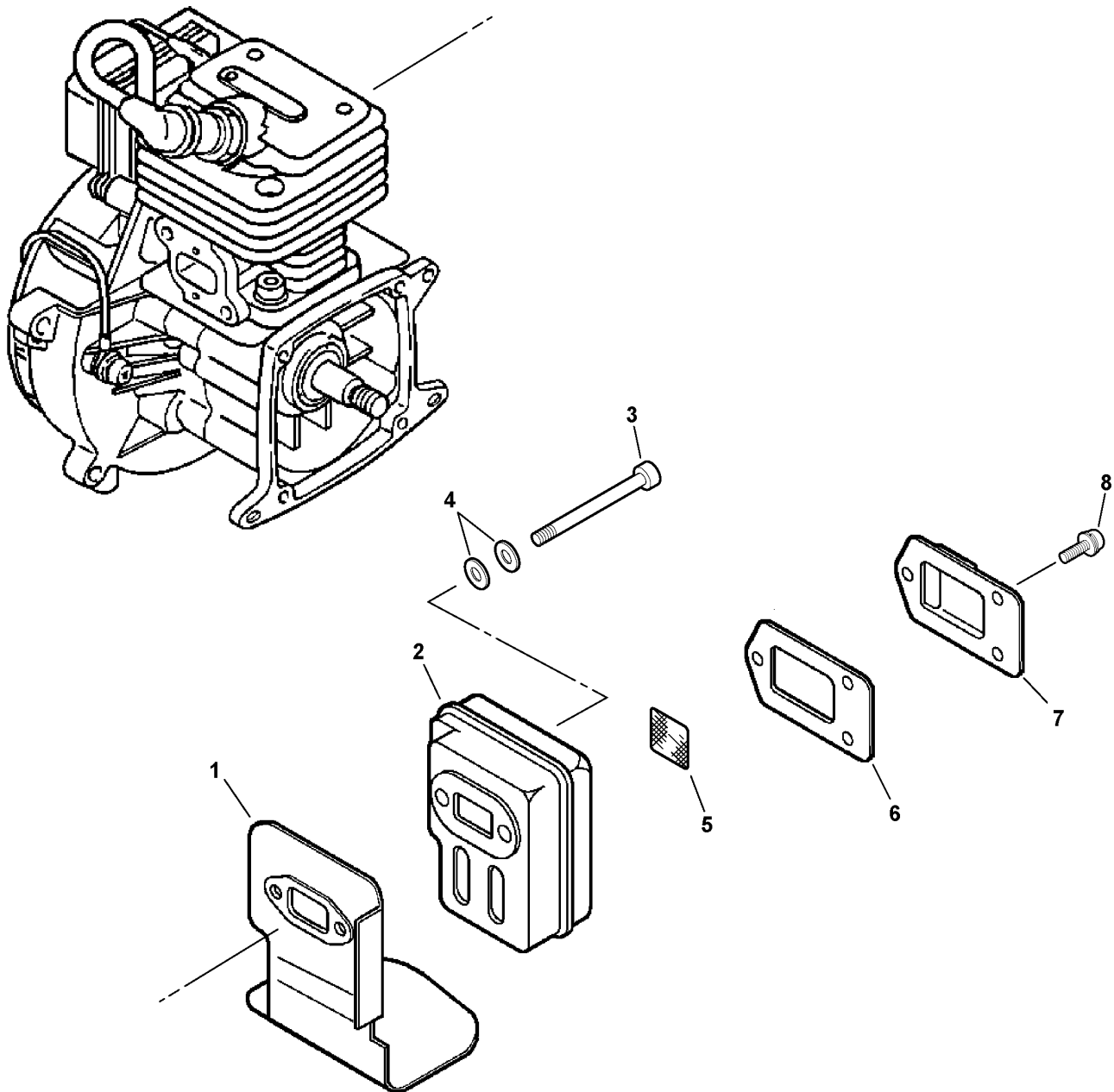
- 1:** Also Included In REPOWER TUNE-UP & FILTER KITS
- 2:** Also Included In GASKET KIT



| ITEM | PART NUMBER | QTY | DESCRIPTION | REMARKS |
|-----------|-------------|-----|---------------------------------|----------------------|
| | A021000052 | 1 | CARBURETOR -- WYJ-250B | |
| 1 | 12311440630 | 2 | SCREW | |
| 2 | P003000180 | 1 | BRACKET, CABLE | |
| 3 | ----- | 1 | THROTTLE VALVE ASY ¹ | |
| 4 | 12313440030 | 1 | SCREW, IDLE ADJUST | |
| 5 | 12317245130 | 1 | SWIVEL | |
| 6 | 12314954230 | 1 | WASHER | |
| 7 | 12317307930 | 1 | RING, RETAINING | |
| 8 | ----- | 1 | BODY, CARBURETOR ¹ | |
| 9 | 12318305960 | 1 | O-RING | |
| 10 | P003000260 | 1 | JET | |
| 11 | 12317905560 | 1 | BASE, PURGE | INCLUDES ITEMS 12-17 |
| 12 | ----- | 1 | STRAINER | |
| 13 | 12313905560 | 1 | SCREW, METERING LEVER PIN | |
| 14 | ----- | 1 | VALVE, INLET NEEDLE | |
| 15 | 12312205560 | 1 | SPRING, METERING LEVER | |
| 16 | 12313803930 | 1 | PIN, METERING LEVER | |
| 17 | ----- | 1 | LEVER, METERING | |
| 18 | 12318005560 | 1 | BASE, PURGE | |
| 19 | 12318140630 | 1 | BULB, PURGE | |
| 20 | 12314205560 | 1 | RETAINER, PURGE BULB | |
| 21 | 12311005560 | 4 | SCREW, PUMP COVER | |
| 22 | P003000190 | 1 | REPAIR KIT | INCLUDES ITEMS 23-30 |
| 23 | ----- | 1 | PACKING, RING | |
| 24 | ----- | 1 | GASKET, PUMP | |
| 25 | ----- | 1 | DIAPHRAGM, PUMP | |
| 26 | ----- | 1 | STRAINER | |
| 27 | ----- | 1 | VALVE, INLET NEEDLE | |
| 28 | ----- | 1 | LEVER, METERING | |
| 29 | ----- | 1 | GASKET, DIAPHRAGM | |
| 30 | ----- | 1 | DIAPHRAGM, METERING | |
| 31 | P003000200 | 1 | DIAPHRAGM/GASKET KIT | INCLUDES ITEMS 32-36 |
| 32 | ----- | 1 | PACKING, RING | |
| 33 | ----- | 1 | GASKET, PUMP | |
| 34 | ----- | 1 | DIAPHRAGM, PUMP | |
| 35 | ----- | 1 | GASKET, DIAPHRAGM | |
| 36 | ----- | 1 | DIAPHRAGM, METERING | |

Footnotes

1: NOT AVAILABLE SEPARATELY

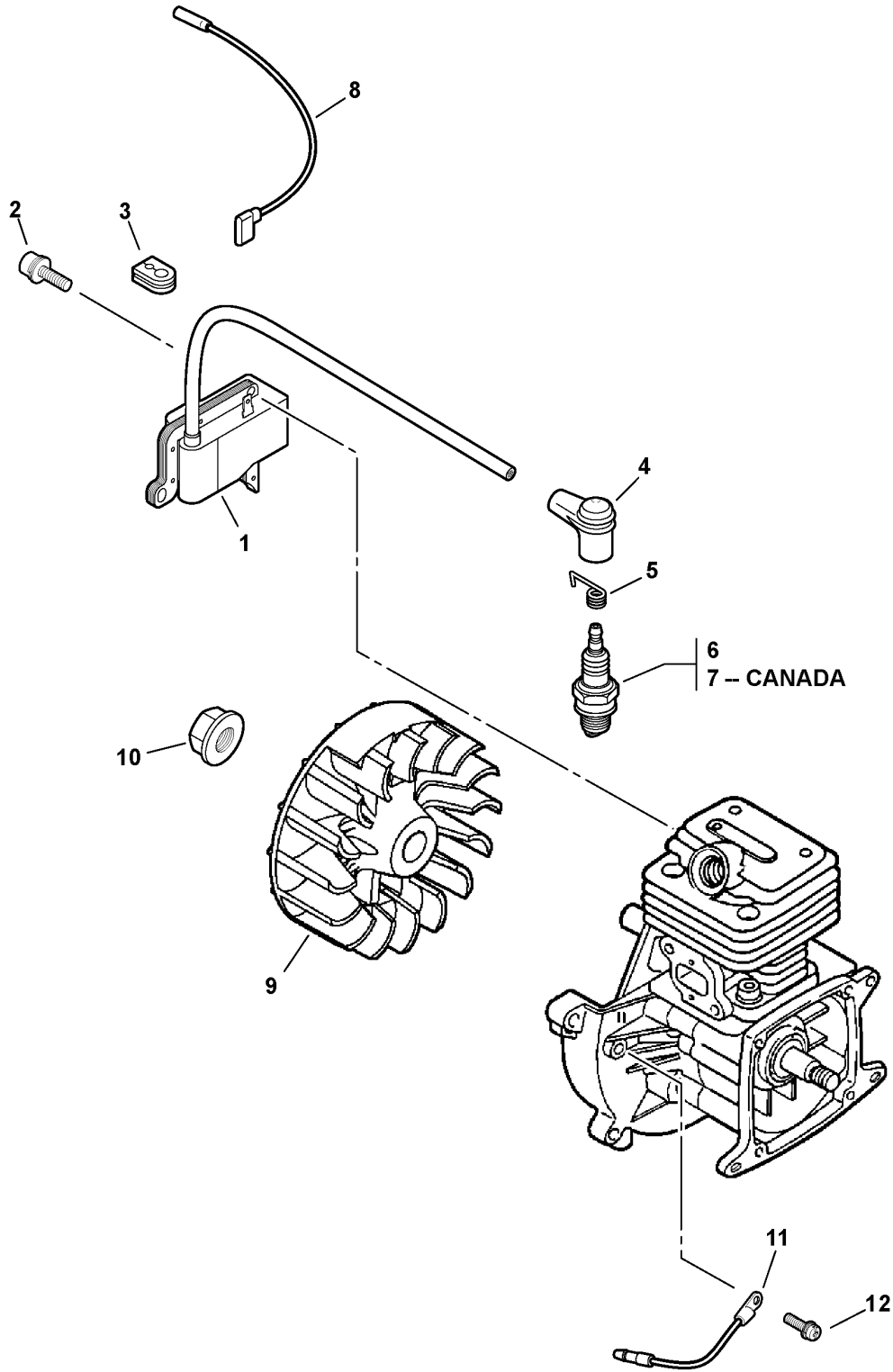


006 0019 00B

| ITEM | PART NUMBER | QTY | DESCRIPTION | REMARKS |
|------|-------------|-----|------------------------------|---------|
| 1 | V104000061 | 1 | SHIELD, EXHAUST ¹ | |
| 2 | 14580642030 | 1 | MUFFLER ASY | |
| 3 | 90010505055 | 2 | SCREW - 5X55 | |
| 4 | 90060000005 | 2 | WASHER | |
| 5 | 14586240630 | 1 | SCREEN, SPARK ARRESTER | |
| 6 | V104000003 | 1 | GASKET, EXHAUST ¹ | |
| 7 | A313000160 | 1 | GUIDE, EXHAUST | |
| 8 | 9136704012 | 3 | SCREW - 4X12 | |

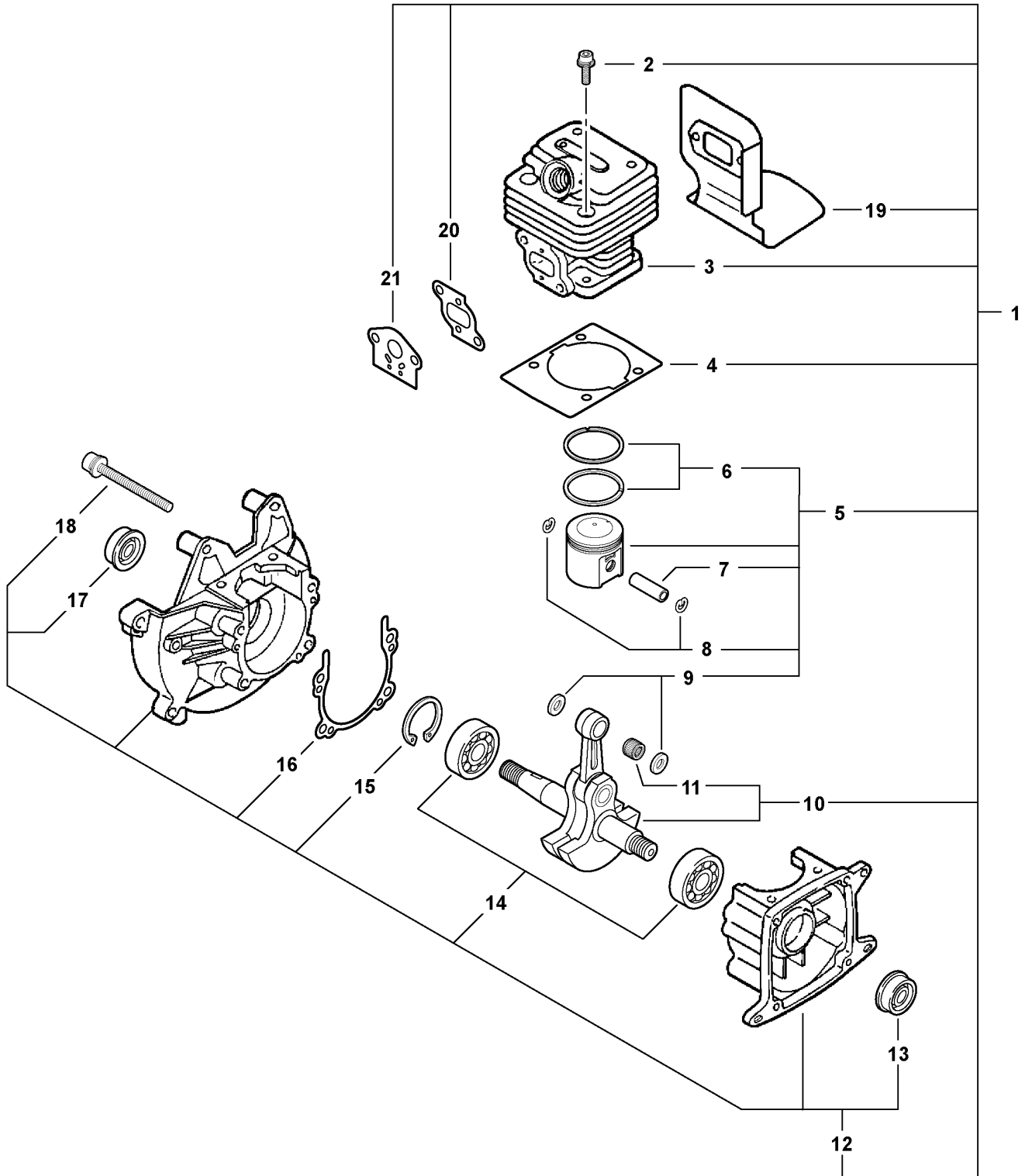
Footnotes

¹: Also Included In GASKET KIT



007 0013 000

| ITEM | PART NUMBER | QTY | DESCRIPTION | REMARKS |
|------|-------------|-----|--------------------------|---------|
| 1 | A411000010 | 1 | COIL, IGNITION | |
| 2 | 90016205016 | 2 | SCREW - 5X16 | |
| 3 | 15611240630 | 1 | GROMMET | |
| 4 | 15901203433 | 1 | CAP, SPARK PLUG | |
| 5 | 15901103432 | 1 | TERMINAL, SPARK PLUG CAP | |
| 6 | 99944500071 | 1 | SPARK PLUG -- BPM-7Y | |
| 7 | 15901010230 | 1 | SPARK PLUG -- BPMR-7A | |
| 8 | 16201056430 | 1 | LEAD | |
| 9 | A4090000020 | 1 | FLYWHEEL | |
| 10 | 90051500008 | 1 | NUT - 8 -- FLANGE | |
| 11 | 16201452930 | 1 | LEAD - GROUND | |
| 12 | 90024205010 | 1 | SCREW - 5X10 | |

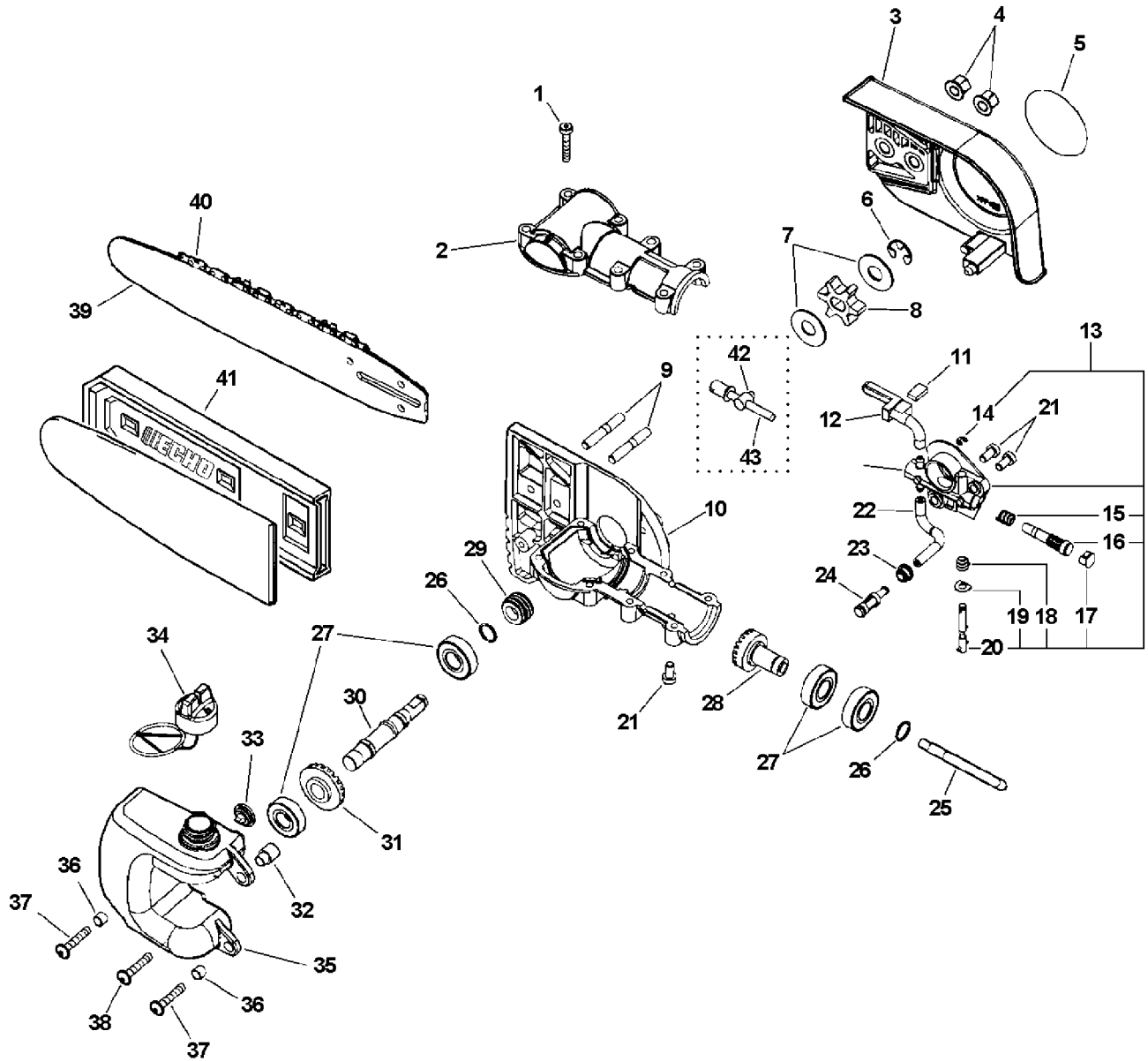


SB1047 0000 000

| ITEM | PART NUMBER | QTY | DESCRIPTION | REMARKS |
|------|-------------|-----|--------------------------------|----------------------|
| 1 | SB1047 | 1 | SHORT BLOCK -- SB1047 | INCLUDES ITEMS 2-21 |
| 2 | A130000122 | 1 | CYLINDER | |
| 3 | 90016205022 | 4 | SCREW - 5X22 | |
| 4 | V100000010 | 1 | GASKET, CYLINDER ¹ | |
| 5 | P021002360 | 1 | PISTON KIT | INCLUDES ITEMS 6-9 |
| 6 | A101000010 | 2 | RING, PISTON | |
| 7 | V606000000 | 1 | PIN, PISTON | |
| 8 | 10001504630 | 2 | 2 RING, RETAINING | |
| 9 | 10001455930 | 2 | SPACER, PISTON PIN | |
| 10 | V553000020 | 1 | BEARING, NEEDLE | |
| 11 | A011000030 | 1 | CRANKSHAFT ASY | |
| 12 | P021000940 | 1 | CRANKCASE KIT | INCLUDES ITEMS 13-18 |
| 13 | 10021305530 | 1 | SEAL, OIL | |
| 14 | 90080036001 | 2 | BEARING, BALL - 6001 | |
| 15 | 90070200028 | 1 | RING, RETAINING - 28 | |
| 16 | 10024255930 | 1 | GASKET, CRANKCASE ¹ | |
| 17 | 90016205025 | 4 | SCREW - 5X25 | |
| 18 | 10021228230 | 1 | SEAL, OIL | |
| 19 | V104000061 | 1 | SHIELD, EXHAUST | |
| 20 | 13001055930 | 1 | GASKET, INTAKE ¹ | |
| 21 | 13001013410 | 1 | GASKET, INTAKE ¹ | |

Footnotes

¹: Also Included In GASKET KIT

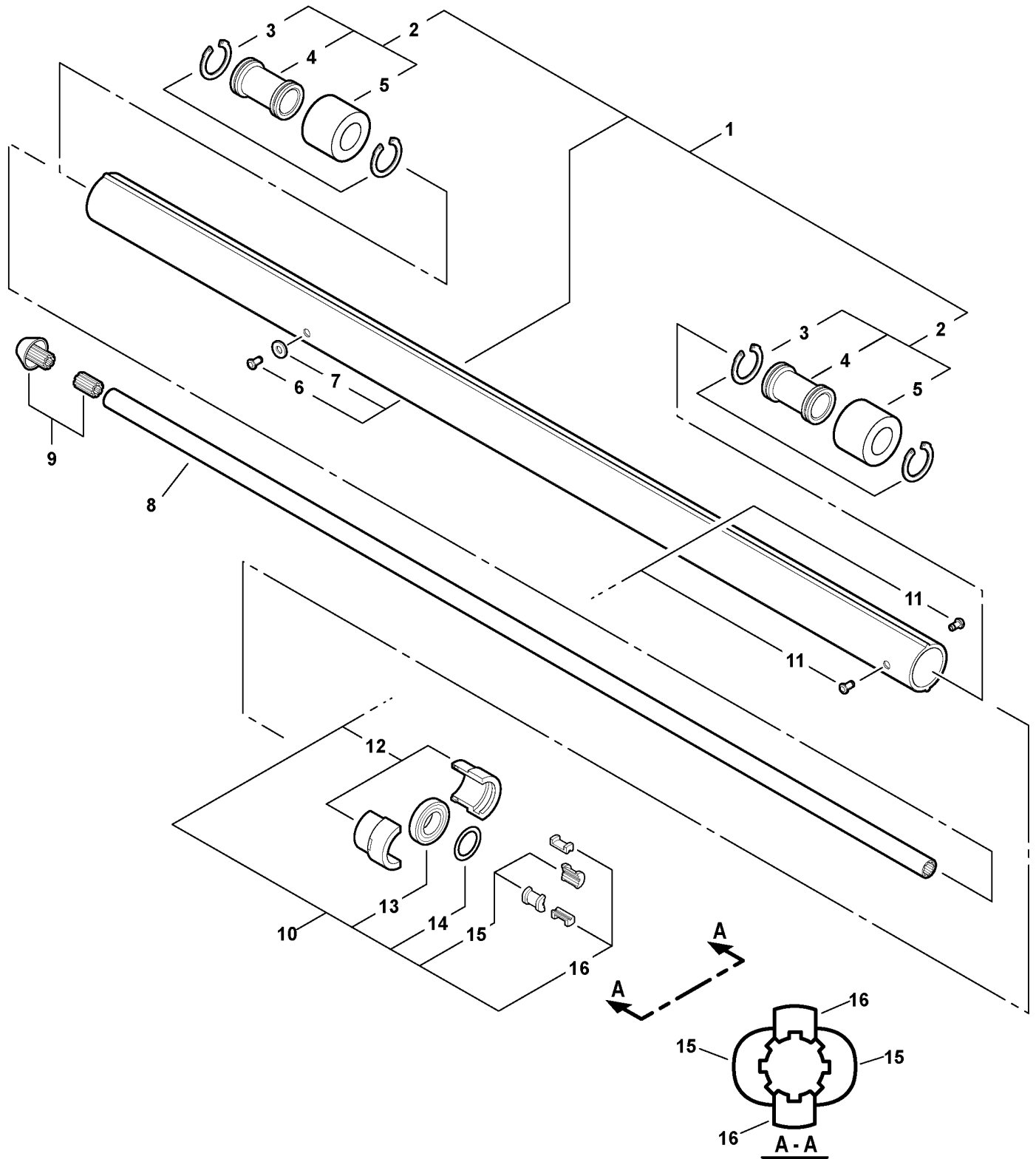


PPT001300000

| ITEM | PART NUMBER | QTY | DESCRIPTION | REMARKS |
|------|-------------|-----|---|----------------------------|
| 1 | V253000000 | 8 | SCREW - 5X25 | |
| 2 | C531000030 | 1 | CASE, GEAR - UPPER | |
| 3 | C300000000 | 1 | GUARD, SPROCKET | |
| 4 | 43301903933 | 2 | NUT - 6 -- FLANGE | |
| 5 | 89011849130 | 1 | LABEL - ECHO | |
| 6 | V583000010 | 1 | RING, RETAINING | |
| 7 | 17501439131 | 2 | WASHER, CLUTCH | |
| 8 | C580000070 | 1 | SPROCKET, DRIVE | |
| 9 | V224000000 | 2 | STUD - 6 | |
| 10 | C531000040 | 1 | CASE, GEAR - LOWER | |
| 11 | 43724439130 | 1 | PAD, FOAM | |
| 12 | V470000180 | 1 | PIPE, OIL OUTLET | |
| 13 | 43700239130 | 1 | AUTO-OILER ASY | INCLUDES ITEMS 14-20 |
| 14 | 12312715030 | 1 | RING, RETAINING | |
| 15 | 43701938330 | 1 | SPRING, PLUNGER | |
| 16 | 43702437330 | 1 | PLUNGER ASY | |
| 17 | 43706237330 | 1 | CAP, OIL PUMP | |
| 18 | 43701537330 | 1 | SPRING | |
| 19 | 43702937330 | 1 | WASHER | |
| 20 | 43701639130 | 1 | NEEDLE, ADJUST | |
| 21 | V253000010 | 3 | SCREW - 5X10 | |
| 22 | 13011014330 | 1 | PIPE, IMPULSE - 3X6X75mm | REPOWER BULK OPTION: 90015 |
| 23 | 13211501461 | 1 | GROMMET | |
| 24 | 43620502832 | 1 | FILTER, OIL | |
| 25 | 61002522360 | 1 | CONNECTOR, SHAFT | |
| 26 | 90070600012 | 2 | RING, RETAINING - 12 | |
| 27 | 9404206001 | 4 | BEARING, BALL - 6001 | |
| 28 | V651000041 | 1 | GEAR, BEVEL | |
| 29 | V652000021 | 1 | GEAR, WORM | |
| 30 | C534000020 | 1 | GEAR, SHAFT | |
| 31 | 61031122061 | 1 | GEAR, BEVEL | |
| 32 | V354000010 | 1 | COLLAR - 6 | |
| 33 | 13131406320 | 1 | VENT ASY | |
| 34 | P021000950 | 1 | CAP ASY | |
| 35 | C200000000 | 1 | TANK, OIL | |
| 36 | 13104528230 | 2 | COLLAR | |
| 37 | V253000030 | 2 | SCREW - 5X16 | |
| 38 | V253000020 | 1 | SCREW - 5X20 | |
| 39 | 1122374401 | 1 | GUIDE BAR - 12" -- Intenz ¹ | GAUGE: .050" |
| 40 | 1917044 | 1 | SAWING CHAIN (91VS) - 12" -- Low Profile ¹ | GAUGE: .050" |
| 41 | X490000050 | 1 | COVER, GUIDE BAR | |
| 42 | 43301403931 | 1 | TENSIONER | |
| 43 | 43301639131 | 1 | SCREW, TENSIONER | |

Footnotes

1: .043" & .050" Gauge Chains & Guide Bars are NOT Interchangeable

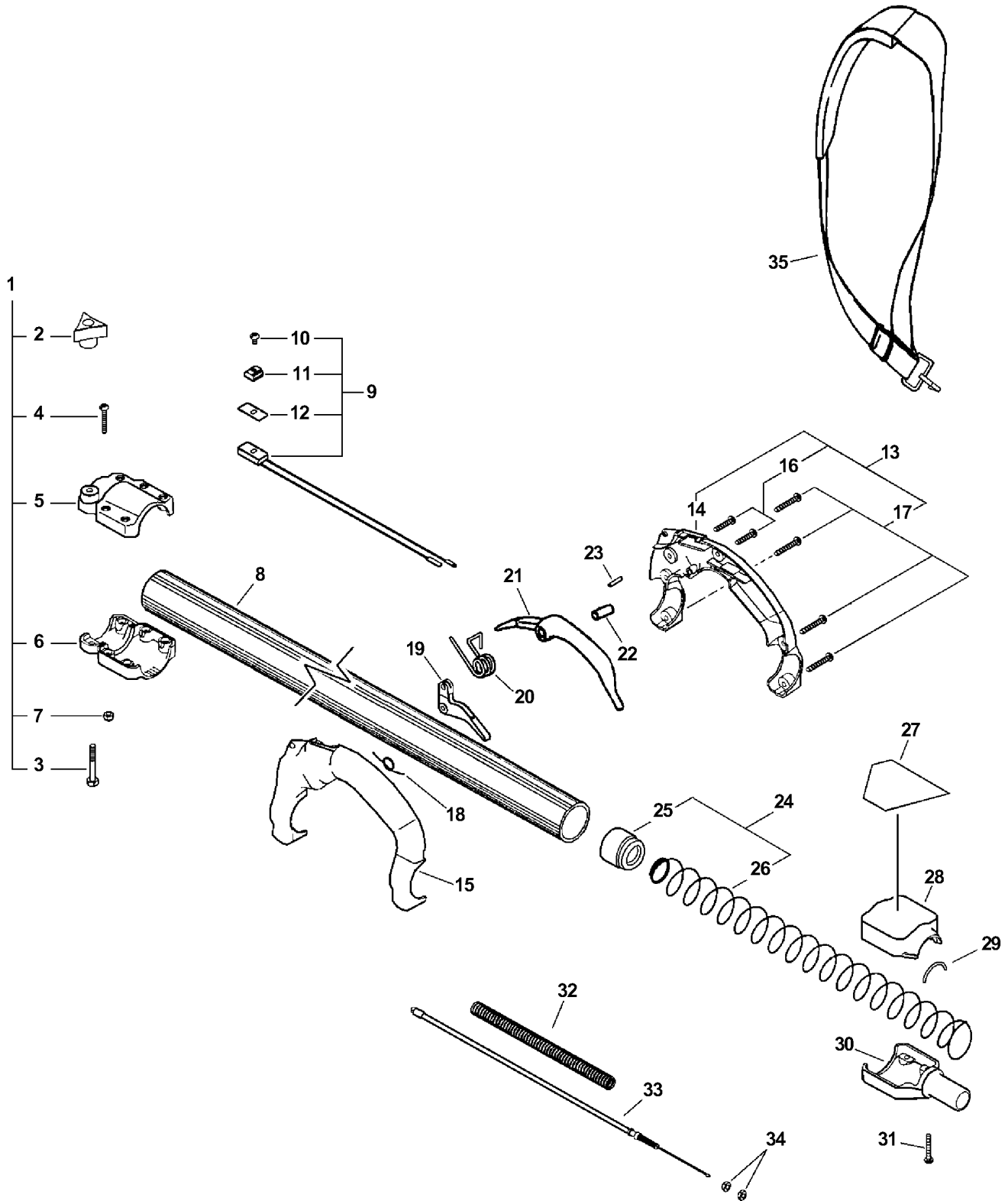


073 0003 000

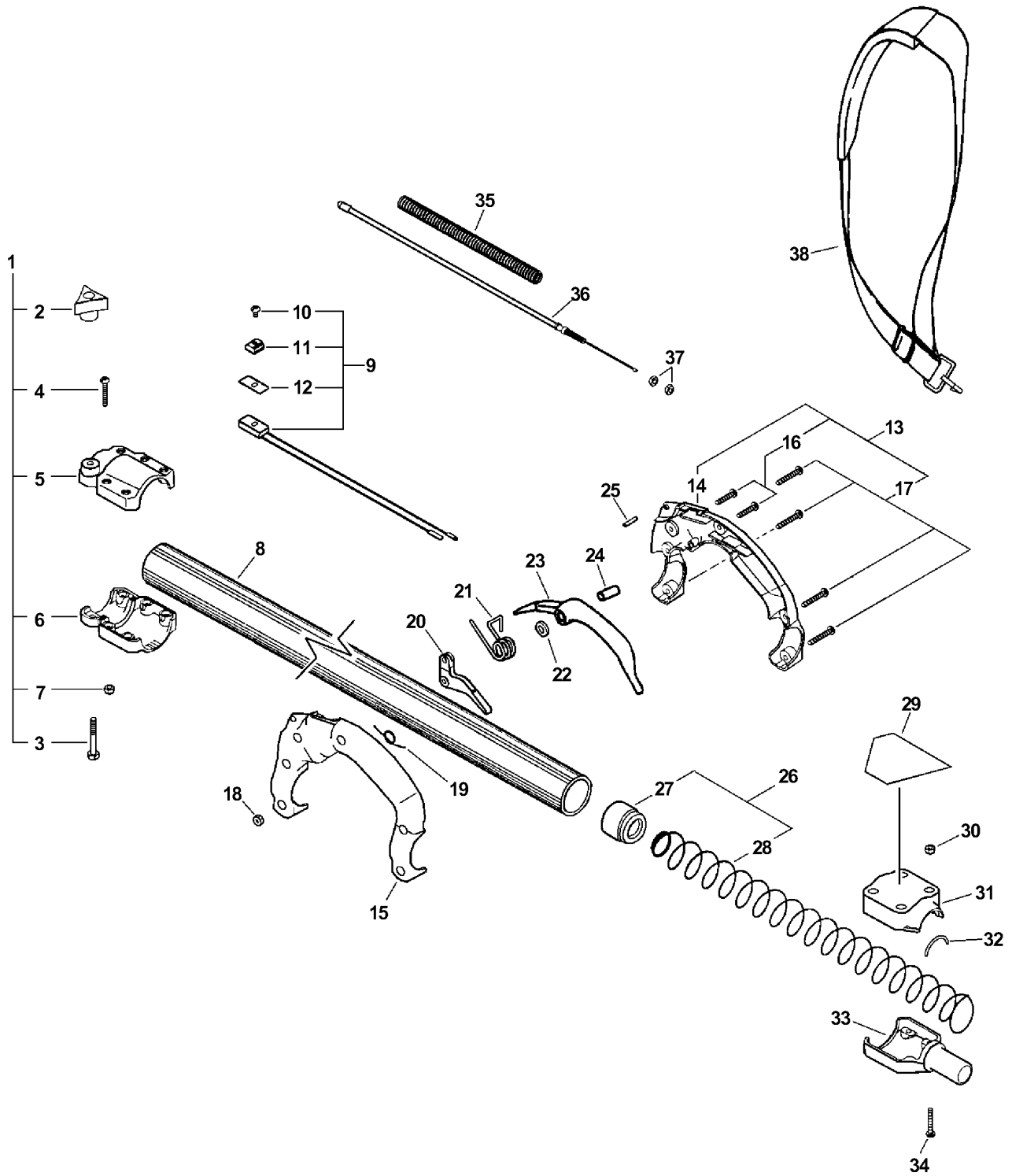
| ITEM | PART NUMBER | QTY | DESCRIPTION | REMARKS |
|------|-------------|-----|-----------------------------------|----------------------|
| 1 | 61029923960 | 1 | PIPE, MAIN - BLACK | INCLUDES ITEMS 2-7 |
| 2 | 43330822360 | 2 | DRIVESHAFT GUIDE ASY ¹ | INCLUDES ITEMS 3-5 |
| 3 | 61033522460 | 4 | RING, RETAINING | |
| 4 | 43334522361 | 2 | GUIDE, DRIVESHAFT | |
| 5 | 10429322360 | 2 | PAD, FOAM | |
| 6 | 89001122460 | 1 | RIVET | |
| 7 | 40011122360 | 1 | WASHER - 5 | |
| 8 | 61001122460 | 1 | DRIVESHAFT - UPPER | |
| 9 | 61029822360 | 1 | ADAPTER, DRIVESHAFT - UPPER | |
| 10 | 61010522360 | 1 | BEARING HOLDER KIT | INCLUDES ITEMS 11-16 |
| 11 | 89001122360 | 2 | RIVET | |
| 12 | 61011122360 | 2 | BEARING HOLDER KIT | |
| 13 | 90080206002 | 1 | BEARING, BALL - 6002 | |
| 14 | 17812922360 | 1 | WASHER, WAVE | |
| 15 | 43334522560 | 2 | HOLDER, INNER BEARING - LARGE | |
| 16 | 43334522460 | 2 | HOLDER, INNER BEARING - SMALL | |

Footnotes

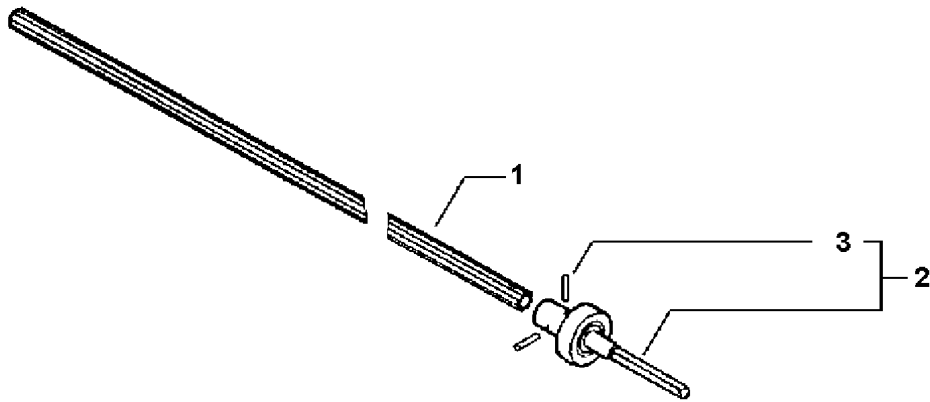
1: SEE SERVICE BULLETIN -- 05-01



| ITEM | PART NUMBER | QTY | DESCRIPTION | REMARKS |
|------|-------------|-----|---|----------------------|
| 1 | 61029522360 | 1 | COLLAR ASY | INCLUDES ITEMS 2-7 |
| 2 | 13040622360 | 1 | THUMBSCREW | INCLUDES ITEM 3 |
| 3 | 90005100100 | 1 | SCREW - 1/4-20 X 1-3/4" | |
| 4 | 90005300400 | 5 | SCREW - 10-24 X 1-1/4" -- TORX PAN HEAD | |
| 5 | 61028222460 | 1 | COLLAR, MAIN PIPE - UPPER | |
| 6 | 61028222360 | 1 | COLLAR, MAIN PIPE - LOWER | |
| 7 | 90003150100 | 5 | LOCKNUT | |
| 8 | 61022222360 | 1 | PIPE, MAIN - ORANGE | |
| 9 | A440000280 | 1 | IGNITION SWITCH ASY | INCLUDES ITEMS 10-12 |
| 10 | 9154503010 | 1 | SCREW - 3X10 | |
| 11 | 16341049231 | 1 | KNOB, SWITCH - ORANGE | |
| 12 | 89015712330 | 1 | COVER, SWITCH - STOP | |
| 13 | 35110022360 | 1 | REAR HANDLE ASY | INCLUDES ITEMS 14-17 |
| 14 | 35111022562 | 1 | HANDLE, REAR - RIGHT | |
| 15 | 35110122561 | 1 | HANDLE, REAR - LEFT | |
| 16 | 90005300300 | 2 | SCREW - 10-24 X 7/8" -- TORX PAN HEAD | |
| 17 | 90005300400 | 4 | SCREW - 10-24 X 1-1/4" -- TORX PAN HEAD | |
| 18 | 17804322360 | 1 | SPRING, TRIGGER | |
| 19 | 17801022560 | 1 | TRIGGER, THROTTLE | |
| 20 | 17804322562 | 1 | SPRING, THROTTLE TRIGGER LOCKOUT | |
| 21 | 17809022560 | 1 | LOCKOUT, THROTTLE | |
| 22 | 61085022560 | 1 | COLLAR - 5 | |
| 23 | 88996022660 | 1 | PIN, DOWEL | |
| 24 | 43330722460 | 1 | FLOATING BUSHING ASY | INCLUDES ITEMS 25-26 |
| 25 | 43334522660 | 1 | BUSHING, FLOATING | |
| 26 | 10494022560 | 1 | SPRING, FLOATING BUSHING | |
| 27 | 89016022660 | 1 | LABEL - CAUTION | |
| 28 | 61081022360 | 1 | LOWER HSNG ADAPT (TOP) | |
| 29 | 10491022460 | 1 | O-RING (HALF) | |
| 30 | C510000002 | 1 | ADAPTER, LOWER SHAFT TUBE | |
| 31 | 90005300400 | 4 | SCREW - 10-24 X 1-1/4" -- TORX PAN HEAD | |
| 32 | 17801622360 | 1 | COVER - CORRUGATED | |
| 33 | V430000150 | 1 | CABLE, THROTTLE | |
| 34 | 90050200006 | 2 | NUT - 6 | |
| 35 | 30100022060 | 1 | SHOULDER STRAP ASY | |

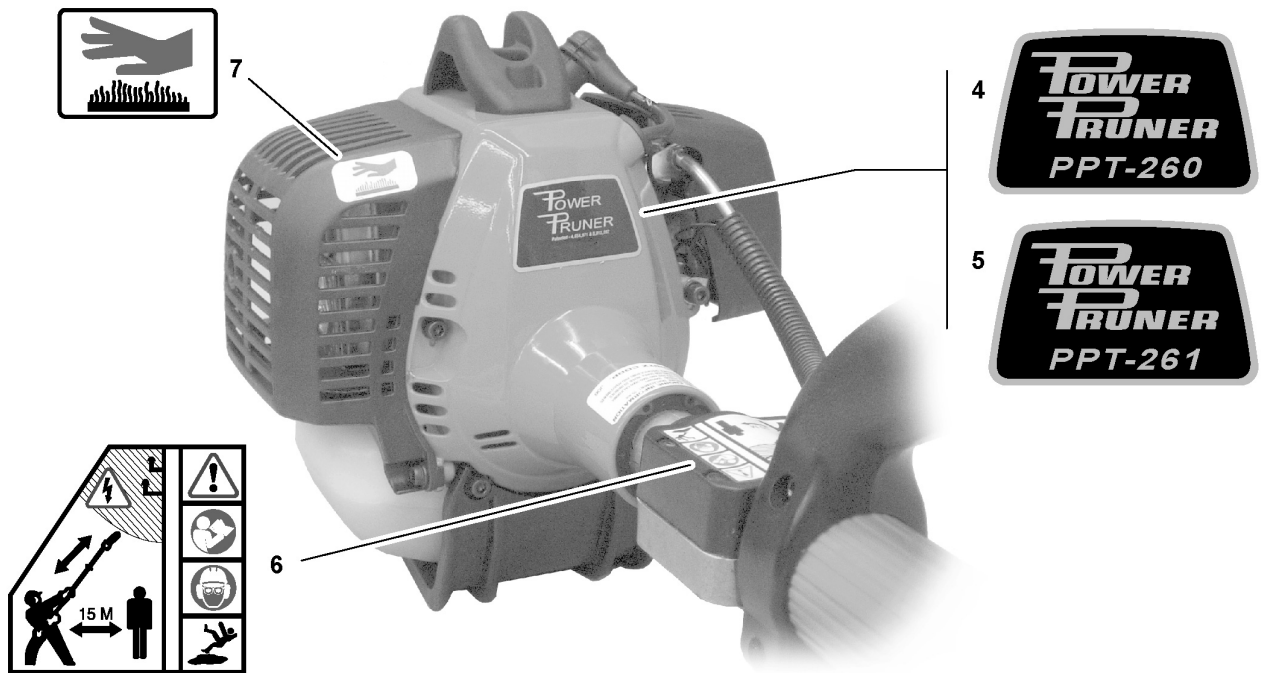
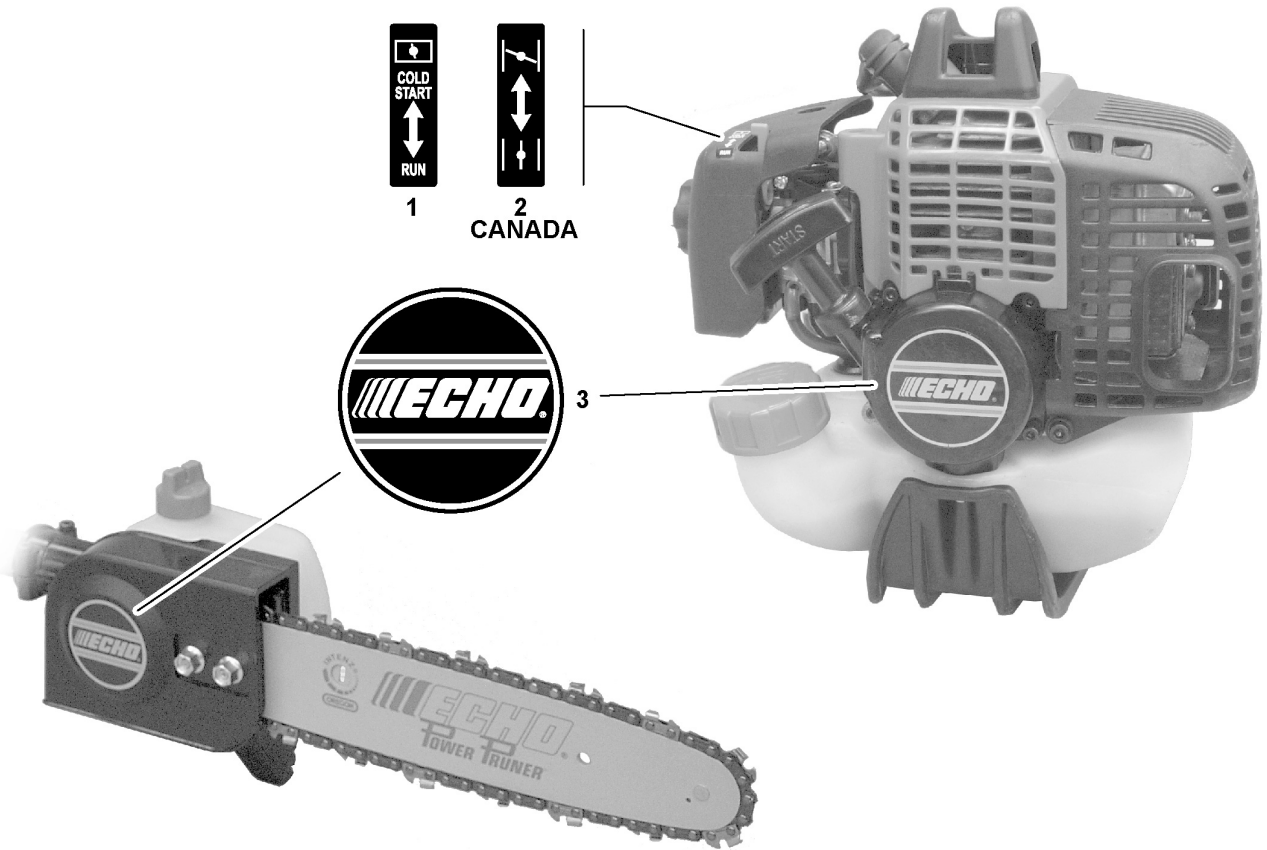


| ITEM | PART NUMBER | QTY | DESCRIPTION | REMARKS |
|------|-------------|-----|---|----------------------|
| 1 | 61029522360 | 1 | COLLAR ASY | INCLUDES ITEMS 2-7 |
| 2 | 13040622360 | 1 | THUMBSCREW | INCLUDES ITEM 3 |
| 3 | V204000090 | 1 | SCREW | |
| 4 | 90005300400 | 5 | SCREW - 10-24 X 1-1/4" -- TORX PAN HEAD | |
| 5 | 61028222460 | 1 | COLLAR, MAIN PIPE - UPPER | |
| 6 | 61028222360 | 1 | COLLAR, MAIN PIPE - LOWER | |
| 7 | 90003150100 | 5 | LOCKNUT | |
| 8 | 61022224660 | 1 | PIPE, MAIN - ORANGE | |
| 9 | A440000280 | 1 | IGNITION SWITCH ASY | INCLUDES ITEMS 10-12 |
| 10 | 9154503010 | 1 | SCREW - 3X10 | |
| 11 | 16341049231 | 1 | KNOB, SWITCH - ORANGE | |
| 12 | 89015712330 | 1 | COVER, SWITCH - STOP | |
| 13 | 35110022362 | 1 | REAR HANDLE ASY | INCLUDES ITEMS 14-18 |
| 14 | 35111022562 | 1 | HANDLE, REAR - RIGHT | |
| 15 | C410000090 | 1 | HANDLE, REAR - LEFT | |
| 16 | 90005300400 | 2 | SCREW - 10-24 X 1-1/4" -- TORX PAN HEAD | |
| 17 | 90005300500 | 4 | SCREW -- PAN HEAD | |
| 18 | 90003150100 | 6 | LOCKNUT | |
| 19 | 17804322360 | 1 | SPRING, TRIGGER | |
| 20 | 17801022560 | 1 | TRIGGER, THROTTLE | |
| 21 | 17804322562 | 1 | SPRING, THROTTLE TRIGGER LOCKOUT | |
| 22 | 90060300005 | 1 | WASHER 5.5X12X0.8 | |
| 23 | 17809022560 | 1 | LOCKOUT, THROTTLE | |
| 24 | 61085022560 | 1 | COLLAR - 5 | |
| 25 | 88996022660 | 1 | PIN, DOWEL | |
| 26 | 43330722460 | 1 | FLOATING BUSHING ASY | INCLUDES ITEMS 27-28 |
| 27 | 43334522660 | 1 | BUSHING, FLOATING | |
| 28 | 10494022560 | 1 | SPRING, FLOATING BUSHING | |
| 29 | 89016022660 | 1 | LABEL - CAUTION | |
| 30 | 90003150100 | 4 | LOCKNUT | |
| 31 | C525000000 | 1 | CAP, LOWER SHAFT TUBE ADAPTER | |
| 32 | 10491022460 | 1 | O-RING (HALF) | |
| 33 | C510000060 | 1 | ADAPTER, LOWER SHAFT TUBE | |
| 34 | 90005300500 | 4 | SCREW -- PAN HEAD | |
| 35 | 17801622360 | 1 | COVER - CORRUGATED | |
| 36 | V430000150 | 1 | CABLE, THROTTLE | |
| 37 | 90050200006 | 2 | NUT - 6 | |
| 38 | 30100022060 | 1 | SHOULDER STRAP ASY | |



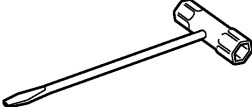

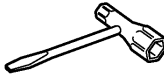
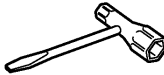




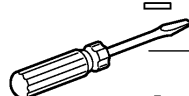
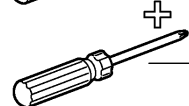

PPT0010 00000

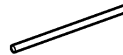





| ITEM | PART NUMBER | QTY | DESCRIPTION | REMARKS |
|------|-------------|-----|---------------------|-----------------|
| 1 | C504000260 | 1 | DRIVESHAFT | |
| 2 | P021006340 | 1 | SHAFT CONNECTOR KIT | INCLUDES ITEM 3 |
| 3 | V620000000 | 2 | PIN | |



100 0064 00B

| ITEM | PART NUMBER | QTY | DESCRIPTION | REMARKS |
|------|-------------|-----|--------------------------|---------------|
| 1 | 89012152730 | 1 | LABEL - CHOKE | |
| 2 | 89033252730 | 1 | LABEL - CHOKE | CANADA MODELS |
| 3 | X502000310 | 2 | LABEL - ECHO | |
| 4 | X503001000 | 1 | LABEL - MODEL -- PPT-260 | |
| 5 | X503001210 | 1 | LABEL - MODEL -- PPT-261 | |
| 6 | 89016022660 | 1 | LABEL - CAUTION | |
| 7 | X505002310 | 1 | LABEL - CAUTION -- HOT | |

-  1 - 89541010630 -- 17X19mm
-  2 - X602000020 -- 17X19mm
-  3 - 89541039131 -- 10X19mm
-  4 - 89541006960 -- 13X19mm
-  5 - X602000031 -- 17X14.5mm
-  6 - 89511200330 -- 8X10mm
-  7 - 89512220960 -- 17X19mm
-  8 - 89501505260 -- 10mm
-  9 - 89581100130 -- 125mm
-  10 - 89581203930 -- 50mm
-  11 - 89757005560

-  12 - 89751801131 -- 5X120mm
-  13 - 89541220960 -- 10mm
-  14 - 89561203430 -- 3mm
-  15 - 89561000130 -- 4mm
-  16 - 89561100330 -- 5mm
-  17 - X605000060 -- T27

Consult Your Owners Manual - Consulte a sus dueños manuales

200 0001 000

| ITEM | PART NUMBER | QTY | DESCRIPTION | REMARKS |
|------|-------------|-----|-----------------------------|-----------------|
| 1 | 89541010630 | 1 | WRENCH, W/SCREWDRIVER | 17X19mm |
| 2 | X602000020 | 1 | SOCKET WRENCH/SCREWDRIVER | 17X19mm |
| 3 | 89541039131 | 1 | SOCKET WRENCH/SCREWDRIVER | 10X19mm |
| 4 | 89541006960 | 1 | WRENCH, W/SCREWDRIVER | 13X19mm |
| 5 | X602000031 | 1 | SOCKET WRENCH -- 17X14.5mm | 17X14.5mm |
| 6 | 89511200330 | 1 | SPANNER 8X10 | 8X10mm |
| 7 | 89512220960 | 1 | OPEN END WRENCH | 17X19mm |
| 8 | 89501505260 | 1 | OPEN END WRENCH | 10mm |
| 9 | 89581100130 | 1 | SCREWDRIVER - SLOT -- 125mm | 125mm SLOT HEAD |
| 10 | 89581203930 | 1 | SCREWDRIVER - CROSS -- 50mm | 50mm CROSS HEAD |
| 11 | 89757005560 | 1 | KEY, CHUCK | |
| 12 | 89751801131 | 1 | LOCKING ROD | 5X120mm |
| 13 | 89541220960 | 1 | HEX BAR | 10mm |
| 14 | 89561203430 | 1 | HEX KEY - 3mm | 3mm |
| 15 | 89561000130 | 1 | HEX KEY - 4mm | 4mm |
| 16 | 89561100330 | 1 | HEX KEY - 5mm | 5mm |
| 17 | X605000060 | 1 | TORX KEY | T27 |



Part Number Index

Click The Page Number After Any Part Number To View The Diagram Containing That Part.

| Part Number | Page | Part Number | Page | Part Number | Page | Part Number | Page |
|-------------|--------|-------------|------------|-------------|--------|-------------|--------|
| ----- | 13, 15 | 17812922360 | 25 | 90016205018 | 9 | V253000020 | 23 |
| 10001455930 | 21 | 1917044 | 23 | 90016205022 | 7, 21 | V253000030 | 23 |
| 10001504630 | 21 | 30100022060 | 27, 29 | 90016205025 | 13, 21 | V353000020 | 5 |
| 10021228230 | 21 | 30511057733 | 7 | 90016205028 | 9 | V354000010 | 23 |
| 10021305530 | 21 | 35110022360 | 27 | 90024205010 | 19 | V430000150 | 27, 29 |
| 10024255930 | 21 | 35110022362 | 29 | 90024205060 | 13 | V451000090 | 9 |
| 10429322360 | 25 | 35110122561 | 27 | 90024405020 | 7 | V470000180 | 23 |
| 10491022460 | 27, 29 | 35111022562 | 27, 29 | 90050200006 | 27, 29 | V471000110 | 7 |
| 10494022560 | 27, 29 | 40011122360 | 25 | 90050200008 | 11 | V553000020 | 21 |
| 1122374401 | 23 | 43301403931 | 23 | 90051500008 | 19 | V583000010 | 23 |
| 12311005560 | 15 | 43301639131 | 23 | 90056500005 | 11 | V606000000 | 21 |
| 12311440630 | 15 | 43301903933 | 23 | 90060000005 | 17 | V620000000 | 31 |
| 12312205560 | 15 | 43330722460 | 27, 29 | 90060300005 | 7, 29 | V622000020 | 9 |
| 12312715030 | 23 | 43330822360 | 25 | 90070000004 | 11 | V651000041 | 23 |
| 12313440030 | 15 | 43334522361 | 25 | 90070100012 | 9 | V652000021 | 23 |
| 12313803930 | 15 | 43334522460 | 25 | 90070200028 | 9, 21 | X490000050 | 23 |
| 12313905560 | 15 | 43334522560 | 25 | 90070200042 | 9 | X502000310 | 33 |
| 12314205560 | 15 | 43334522660 | 27, 29 | 90070600012 | 23 | X503001000 | 33 |
| 12314954230 | 15 | 43620502832 | 23 | 90080036001 | 21 | X503001210 | 33 |
| 12317245130 | 15 | 43700239130 | 23 | 90080206002 | 25 | X505002310 | 33 |
| 12317307930 | 15 | 43701537330 | 23 | 90080796001 | 9 | X602000020 | 35 |
| 12317905560 | 15 | 43701639130 | 23 | 9111005016 | 5 | X602000031 | 35 |
| 12318005560 | 15 | 43701938330 | 23 | 9112604012 | 11 | X605000060 | 35 |
| 12318140630 | 15 | 43702437330 | 23 | 9136704012 | 17 | | |
| 12318305960 | 15 | 43702937330 | 23 | 9154503010 | 27, 29 | | |
| 12901157731 | 13 | 43706237330 | 23 | 9404206001 | 23 | | |
| 13001013410 | 13, 21 | 43724439130 | 23 | 99944500071 | 19 | | |
| 13001055930 | 13, 21 | 61001122460 | 25 | A011000030 | 21 | | |
| 13001756431 | 13 | 61002522360 | 23 | A021000052 | 15 | | |
| 13011014330 | 23 | 61010522360 | 25 | A052000030 | 11 | | |
| 13031051830 | 13 | 61011122360 | 25 | A101000010 | 21 | | |
| 13031357731 | 13 | 61022222360 | 27 | A130000122 | 21 | | |
| 13040622360 | 27, 29 | 61022224660 | 29 | A160000060 | 5 | | |
| 13040652131 | 13 | 61028222360 | 27, 29 | A162000000 | 5 | | |
| 13100455530 | 7 | 61028222460 | 27, 29 | A172000120 | 9 | | |
| 13101655830 | 7 | 61029522360 | 27, 29 | A313000160 | 17 | | |
| 13104528230 | 7, 23 | 61029822360 | 25 | A320000003 | 5 | | |
| 13105156030 | 7 | 61029923960 | 25 | A350000111 | 7 | | |
| 13120519831 | 7 | 61031122061 | 23 | A356000030 | 7 | | |
| 13131406320 | 23 | 61033522460 | 25 | A409000020 | 19 | | |
| 13201052030 | 7 | 61081022360 | 27 | A411000010 | 19 | | |
| 13201256030 | 7 | 61085022560 | 27, 29 | A440000280 | 27, 29 | | |
| 13201326630 | 7 | 61092255931 | 9 | A553000010 | 9 | | |
| 13211501461 | 23 | 8996022660 | 27, 29 | A556000030 | 9 | | |
| 13211555930 | 7 | 89001122360 | 25 | C200000000 | 23 | | |
| 14580642030 | 17 | 89001122460 | 25 | C300000000 | 23 | | |
| 14586240630 | 17 | 89011849130 | 23 | C410000090 | 29 | | |
| 15611240630 | 19 | 89012152730 | 33 | C504000260 | 31 | | |
| 15901010230 | 19 | 89015712330 | 27, 29 | C510000002 | 27 | | |
| 15901103432 | 19 | 89016022660 | 27, 29, 33 | C510000060 | 29 | | |
| 15901203433 | 19 | 89033252730 | 33 | C525000000 | 29 | | |
| 16201056430 | 19 | 89501505260 | 35 | C531000030 | 23 | | |
| 16201452930 | 19 | 89511200330 | 35 | C531000040 | 23 | | |
| 16341049231 | 27, 29 | 89512220960 | 35 | C534000020 | 23 | | |
| 17501439131 | 23 | 89541006960 | 35 | C580000070 | 23 | | |
| 17504656030 | 9 | 89541010630 | 35 | P003000180 | 15 | | |
| 17504805530 | 9 | 89541039131 | 35 | P003000190 | 15 | | |
| 17504956030 | 9 | 89541220960 | 35 | P003000200 | 15 | | |
| 17720055931 | 11 | 89561000130 | 35 | P003000260 | 15 | | |
| 17721540630 | 11 | 89561100330 | 35 | P021000940 | 21 | | |
| 17721840630 | 11 | 89561203430 | 35 | P021000950 | 23 | | |
| 17722040630 | 11 | 89581100130 | 35 | P021001430 | 13 | | |
| 17722603930 | 11 | 89581203930 | 35 | P021001470 | 9 | | |
| 17722742030 | 11 | 89751801131 | 35 | P021002360 | 21 | | |
| 17722827030 | 11 | 89757005560 | 35 | P021006340 | 31 | | |
| 17723440630 | 11 | 90003150100 | 27, 29 | SB1047 | 21 | | |
| 17723644330 | 11 | 90005100100 | 27 | V100000010 | 21 | | |
| 17801022560 | 27, 29 | 90005300300 | 27 | V104000003 | 17 | | |
| 17801622360 | 27, 29 | 90005300400 | 27, 29 | V104000061 | 17, 21 | | |
| 17804322360 | 27, 29 | 90005300500 | 29 | V204000090 | 29 | | |
| 17804322562 | 27, 29 | 90010505055 | 17 | V224000000 | 23 | | |
| 17809022560 | 27, 29 | 90010605012 | 5 | V253000000 | 23 | | |
| 17811106230 | 9 | 90016205016 | 7, 19 | V253000010 | 23 | | |



Part Description Index

Click The Page Number After Any Part Description To View The Diagram Containing That Part.

2
2 RING, RETAINING.....21

A
ADAPTER, DRIVESHAFT - UPPER.....25
ADAPTER, LOWER SHAFT TUBE.....27, 29
AUTO-OILER ASY.....23

B
BASE, PURGE.....15
BEARING HOLDER KIT.....25
BEARING, BALL - 6001.....9, 21, 23
BEARING, BALL - 6002.....25
BEARING, NEEDLE.....21
BODY, CARBURETOR.....15
BOLT - 4X12.....11
BOLT, CLUTCH.....9
BRACKET, CABLE.....15
BULB, PURGE.....15
BUSHING, FLOATING.....27, 29

C
CABLE, THROTTLE.....27, 29
CAP ASY.....23
CAP ASY - ORANGE.....7
CAP, LOWER SHAFT TUBE ADAPTER.....29
CAP, OIL PUMP.....23
CAP, SPARK PLUG.....19
CARBURETOR.....13
CARBURETOR -- WYJ-250B.....15
CASE, AIR CLEANER.....13
CASE, GEAR - LOWER.....23
CASE, GEAR - UPPER.....23
CLAMP.....9
CLIP.....7
COIL, IGNITION.....19
COLLAR.....7, 23
COLLAR - 5.....5, 27, 29
COLLAR - 6.....23
COLLAR ASY.....27, 29
COLLAR, MAIN PIPE - LOWER.....27, 29
COLLAR, MAIN PIPE - UPPER.....27, 29
CONNECTOR, CAP.....7
CONNECTOR, SHAFT.....23
COVER - CORRUGATED.....27, 29
COVER, AIR CLEANER.....13
COVER, ENGINE - ORANGE.....5
COVER, EXHAUST.....5
COVER, GUIDE BAR.....23
COVER, SWITCH - STOP.....27, 29
CRANKCASE KIT.....21
CRANKSHAFT ASY.....21
CYLINDER.....21

D
DIAPHRAGM, METERING.....15
DIAPHRAGM, PUMP.....15
DIAPHRAGM/GASKET KIT.....15
DRIVESHAFT.....31
DRIVESHAFT - UPPER.....25
DRIVESHAFT GUIDE ASY.....25
DRUM, CLUTCH.....9

F
FAN CASE ASY.....9
FAN CASE ASY - ORANGE.....9
FILTER, AIR - HEAVY DUTY.....13
FILTER, FUEL.....7
FILTER, OIL.....23
FLOATING BUSHING ASY.....27, 29
FLYWHEEL.....19

G
GASKET.....7
GASKET, CRANKCASE.....21
GASKET, CYLINDER.....21
GASKET, DIAPHRAGM.....15
GASKET, EXHAUST.....17
GASKET, INTAKE.....13, 21
GASKET, PUMP.....15
GEAR, BEVEL.....23
GEAR, SHAFT.....23
GEAR, WORM.....23
GRIP, STARTER.....11
GROMMET.....7, 19, 23
GUARD, SPROCKET.....23
GUARD, TOP.....5
GUIDE BAR - 12" -- Intenz.....23
GUIDE, DRIVESHAFT.....25
GUIDE, EXHAUST.....17
GUIDE, ROPE.....11

H
HANDLE, REAR - LEFT.....27, 29
HANDLE, REAR - RIGHT.....27, 29
HEX BAR.....35
HEX KEY - 3mm.....35
HEX KEY - 4mm.....35
HEX KEY - 5mm.....35
HOLDER, INNER BEARING - LARGE.....25
HOLDER, INNER BEARING - SMALL.....25
HOLDER, MAIN PIPE.....9

I
IGNITION SWITCH ASY.....27, 29
INSULATOR, INTAKE.....13

J
JET.....15

K
KEY, CHUCK.....35
KNOB, FASTENER.....13
KNOB, SWITCH - ORANGE.....27, 29

L
LABEL - CAUTION.....27, 29, 33
LABEL - CAUTION -- HOT.....33
LABEL - CHOKE.....33
LABEL - ECHO.....23, 33
LABEL - MODEL -- PPT-260.....33
LABEL - MODEL -- PPT-261.....33
LEAD.....19
LEAD - GROUND.....19
LEVER, METERING.....15

LOCKING ROD.....35
LOCKNUT.....27, 29
LOCKOUT, THROTTLE.....27, 29
LOWER HSNG ADAPT (TOP).....27

M
MUFFLER ASY.....17

N
NEEDLE, ADJUST.....23
NUT - 6.....27, 29
NUT - 6 -- FLANGE.....23
NUT - 8.....11
NUT - 8 -- FLANGE.....19
NUT, SQ. 5.....11

O
OPEN END WRENCH.....35
O-RING.....15
O-RING (HALF).....27, 29

P
PACKING, RING.....15
PAD, FOAM.....23, 25
PAWL, STARTER.....11
PIN.....31
PIN, DOWEL.....9, 27, 29
PIN, METERING LEVER.....15
PIN, PISTON.....21
PIPE - 3X6X115.....7
PIPE, FUEL - 3X6X170.....7
PIPE, IMPULSE - 3X6X75mm.....23
PIPE, MAIN - BLACK.....25
PIPE, MAIN - ORANGE.....27, 29
PIPE, OIL OUTLET.....23
PIPE, RETURN - 3X6X80.....7
PISTON KIT.....21
PLATE, PREVENT.....13
PLUNGER ASY.....23

R
REAR HANDLE ASY.....27, 29
REEL, ROPE.....11
REPAIR KIT.....15
RETAINER, PURGE BULB.....15
RING, PISTON.....21
RING, RETAINING.....15, 23, 25
RING, RETAINING - 12.....9, 23
RING, RETAINING - 28.....9, 21
RING, RETAINING - 4.....11
RING, RETAINING - 42.....9
RIVET.....25
ROPE, STARTER - 3.5X850.....11

S
SAWING CHAIN (91VS) - 12" -- Low Profile.....23
SCREEN, SPARK ARRESTER.....17
SCREW.....11, 15, 29
SCREW - 1/4-20 X 1-3/4".....27
SCREW - 10-24 X 1-1/4" -- TORX PAN HEAD.....27, 29
SCREW - 10-24 X 7/8" -- TORX PAN HEAD.....27
SCREW - 3X10.....27, 29



Part Description Index (continued)

SCREW - 4X12.....17
 SCREW - 5X10.....19, 23
 SCREW - 5X12.....5
 SCREW - 5X16.....5, 7, 19, 23
 SCREW - 5X18.....9
 SCREW - 5X20.....7, 23
 SCREW - 5X22.....7, 21
 SCREW - 5X25.....13, 21, 23
 SCREW - 5X28.....9
 SCREW - 5X55.....17
 SCREW - 5X60.....13
 SCREW -- PAN HEAD.....29
 SCREW, IDLE ADJUST.....15
 SCREW, METERING LEVER PIN.....15
 SCREW, PUMP COVER.....15
 SCREW, TENSIONER.....23
 SCREWDRIVER - CROSS -- 50mm.....35
 SCREWDRIVER - SLOT -- 125mm.....35
 SEAL, OIL.....21
 SHAFT CONNECTOR KIT.....31
 SHIELD, EXHAUST.....17, 21
 SHOE, CLUTCH.....9
 SHORT BLOCK -- SB1047.....21
 SHOULDER STRAP ASY.....27, 29
 SOCKET WRENCH -- 17X14.5mm.....35
 SOCKET WRENCH/SCREWDRIVER.....35
 SPACER, PISTON PIN.....21
 SPANNER 8X10.....35
 SPARK PLUG -- BPM-7Y.....19
 SPARK PLUG -- BPMR-7A.....19
 SPRING.....23
 SPRING, CLUTCH.....9
 SPRING, FLOATING BUSHING.....27, 29
 SPRING, METERING LEVER.....15
 SPRING, PLUNGER.....23
 SPRING, RETURN.....11
 SPRING, REWIND.....11
 SPRING, THROTTLE TRIGGER LOCKOUT.....
 27, 29
 SPRING, TRIGGER.....27, 29
 SPROCKET, DRIVE.....23
 STAND.....7
 STARTER ASY.....11
 STARTER PAWL ASY.....11
 STRAINER.....15
 STUD - 6.....23
 SWIVEL.....15

T

TANK, FUEL.....7
 TANK, OIL.....23
 TENSIONER.....23
 TERMINAL, SPARK PLUG CAP.....19
 THROTTLE VALVE ASY.....15
 THUMBSCREW.....27, 29
 TORX KEY.....35
 TRIGGER, THROTTLE.....27, 29

V

VALVE, CHECK.....7
 VALVE, INLET NEEDLE.....15
 VENT ASY.....23

W

WASHER.....15, 17, 23
 WASHER - 5.....25
 WASHER - 6.....9

NOTES



ECHO, INCORPORATED

400 Oakwood Road
Lake Zurich, IL 60047 USA

WWW.ECHO-USA.COM
