



---

**Maintenance and Repair Kits**

9001012 Gear Case Assembly

---

**PARTS CATALOG**  
**HC-150 Hedge**  
**Trimmer**

**21.2cc**

**SERIAL NUMBERS**

---

S/N: 09001001 - 09999999

---

***ECHO, INCORPORATED***

400 Oakwood Road Lake Zurich, Illinois 60047 USA

WWW.ECHO-USA.COM



# Table of Contents

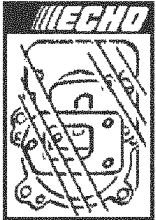
---

Click Any Diagram Description Below To View That Diagram.

## **HC-150 S/N: 09001001 - 09999999**

Intake.....	4
Carburetor -- RB-K75.....	6
Exhaust.....	8
Standard Starter.....	10
Fuel System.....	12
Engine, Short Block, Ignition, Clutch, Cylinder Cover.....	14
Cutters, Gear Case, Tools.....	16
Handle, Ignition Switch, Throttle Cable.....	18
Part Number Index.....	20
Part Description Index.....	21

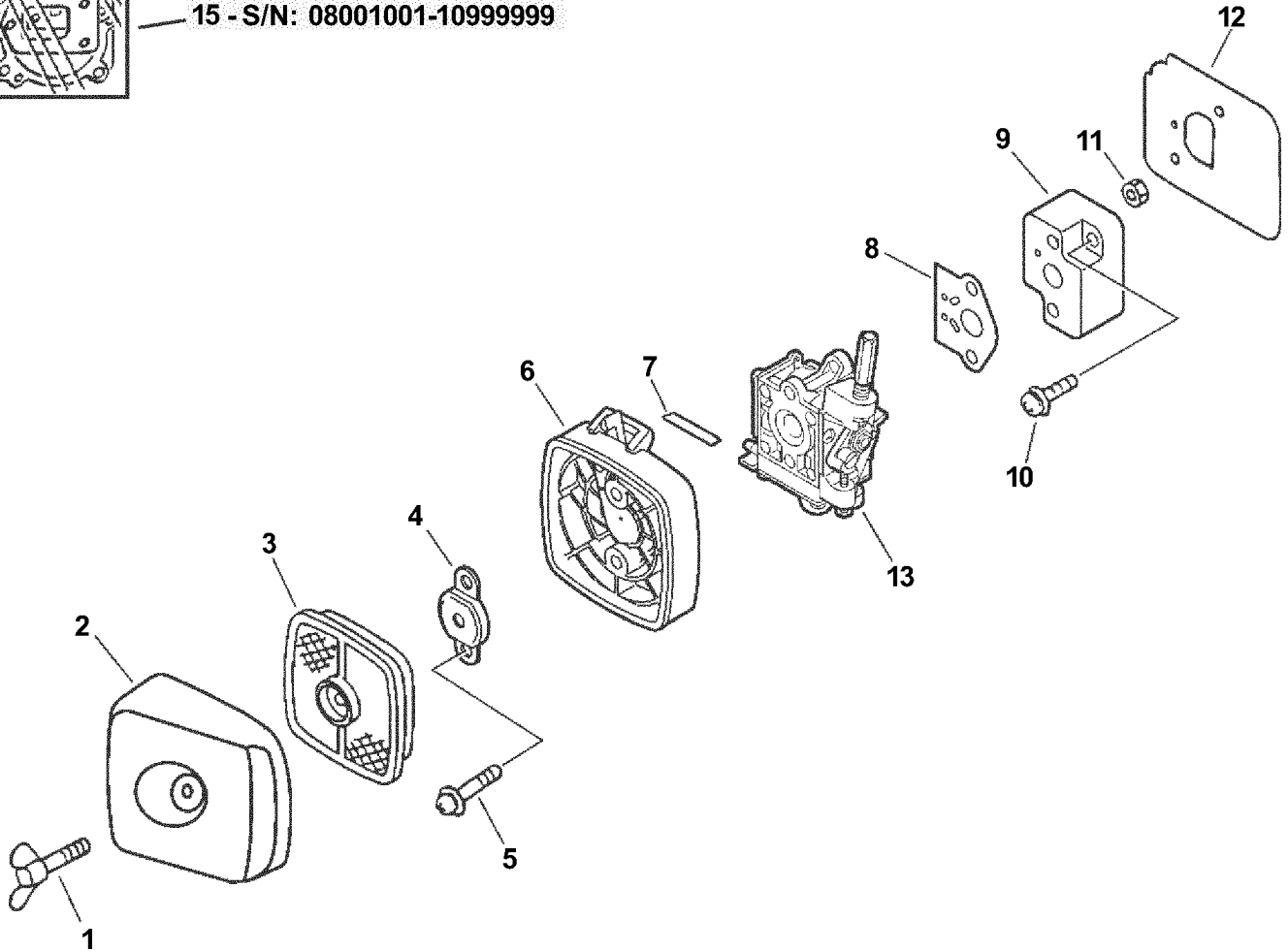
***This Page Intentionally Left Blank***



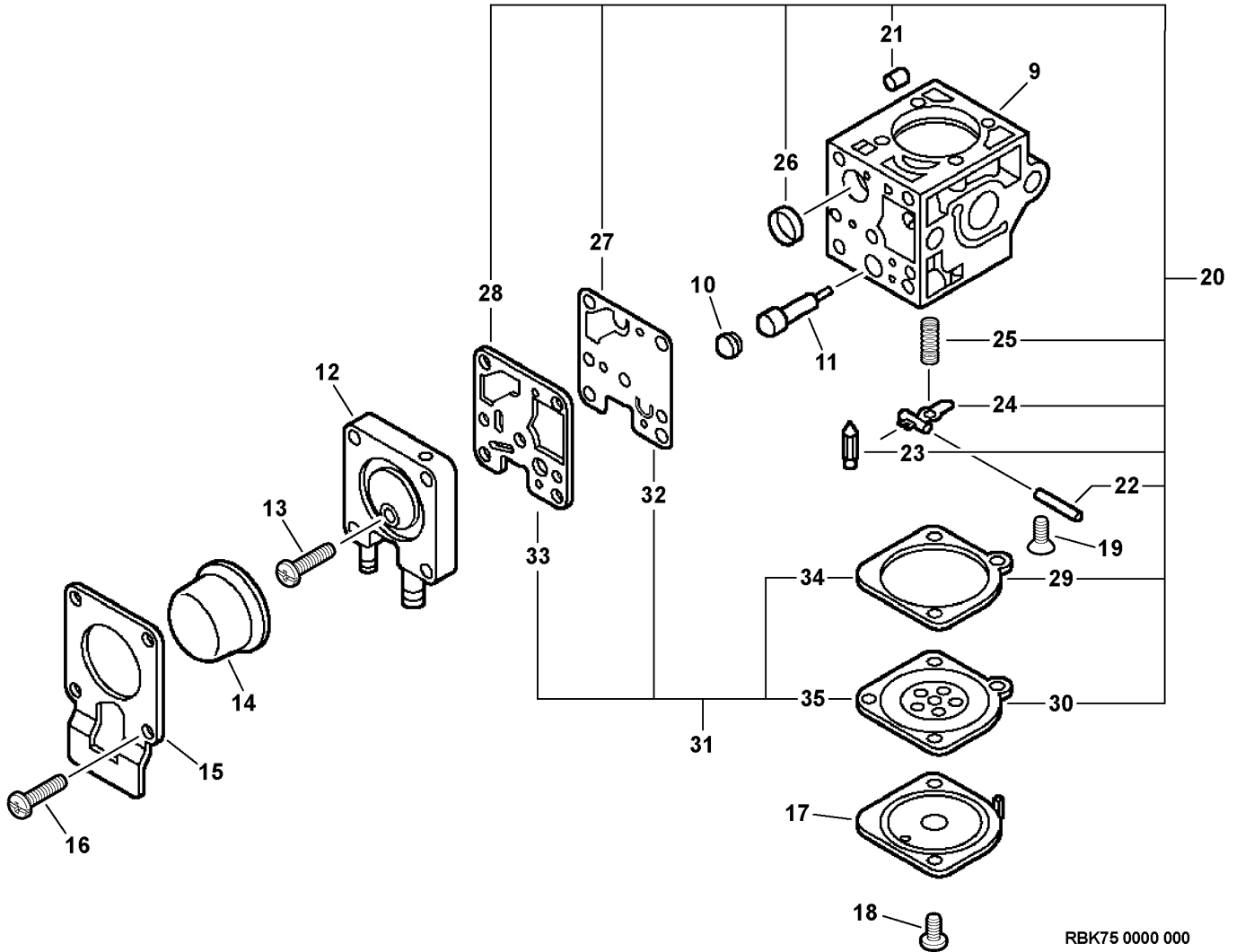
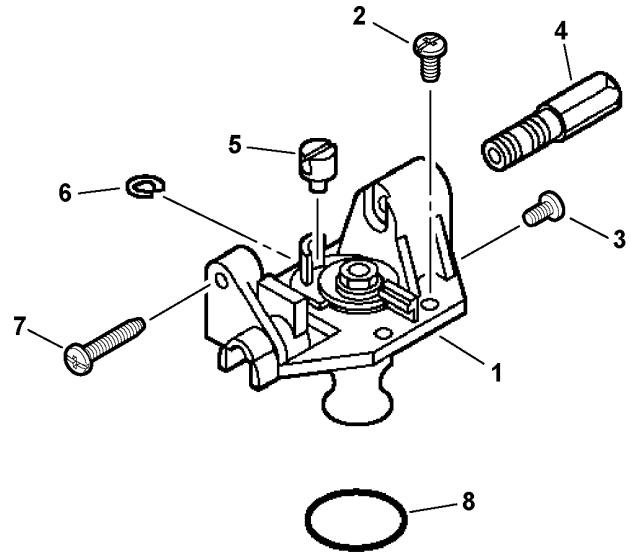
**GASKET KIT**

14 - S/N: 05001001-07999999

15 - S/N: 08001001-10999999

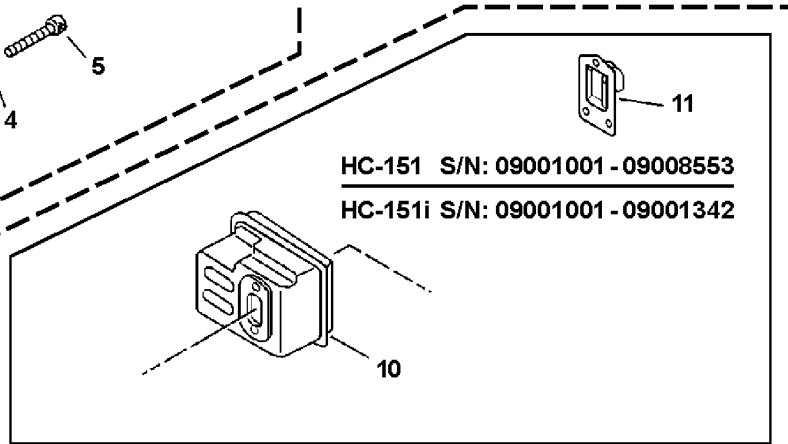
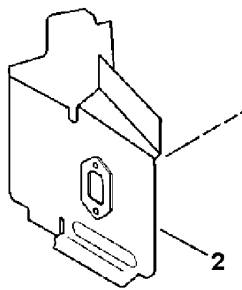
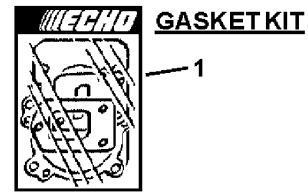
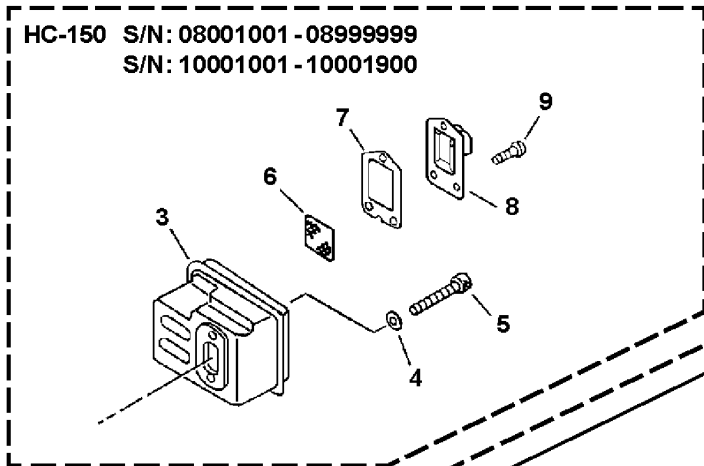


ITEM	PART NUMBER	QTY	DESCRIPTION	REMARKS
1	21041752730	1	BOLT, WING	
2	13031306563	1	LID, AIR CLEANER - GRAY	
3	13031054130	1	FILTER, AIR	
4	12901152730	1	PLATE, PREVENT	
5	90022005065	2	SCREW 5X65	
6	P021000991	1	CASE, AIR CLEANER - GRAY	
7	89012152730	1	LABEL - CHOKE	
8	13001013410	1	GASKET, INTAKE	Also Included In GASKET KIT
9	13001744330	1	INSULATOR, INTAKE	
10	90023805020	2	SCREW 5X20	
11	90050000005	2	NUT 5	
12	V103000490	1	SHIELD, INTAKE	Also Included In GASKET KIT
13	-----	1	CARBURETOR	See Carburetor Diagrams for Additional Information
14	P021004710	1	GASKET KIT	
15	P021012290	1	GASKET KIT	

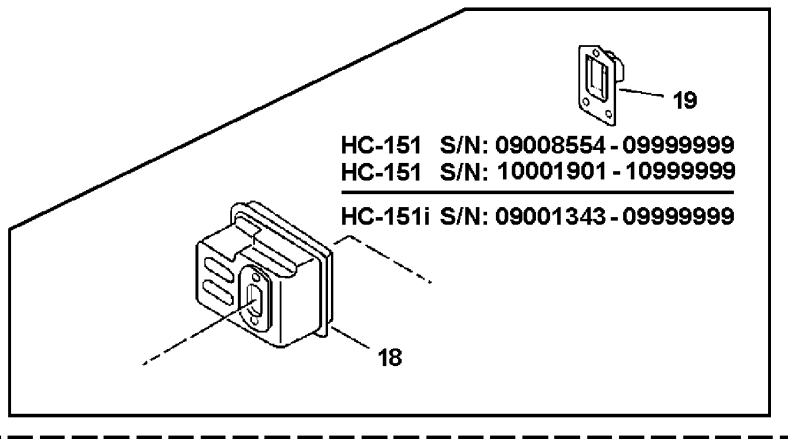
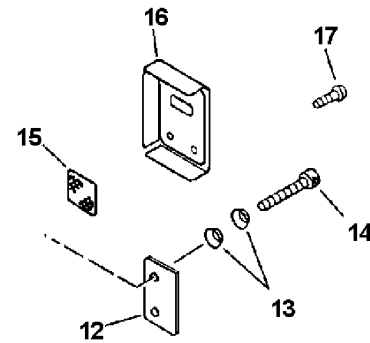


RBK75 0000 000

ITEM	PART NUMBER	QTY	DESCRIPTION	REMARKS
	A021000740	1	CARBURETOR -- RB-K75	
1	P005001320	1	ROTOR COVER ASY	
2	12534413931	3	SCREW, ROTOR COVER ASY	
3	12534452130	1	SCREW, ROTOR COVER	
4	P005001330	1	SCREW, CABLE ADJUST	
5	P005001240	1	SWIVEL	
6	P005000190	1	E-RING	
7	P005000100	1	SCREW, THROTTLE ADJUST	
8	P005000280	1	O-RING	
9	-----	1	BODY, CARBURETOR	NOT AVAILABLE SEPARATELY
10	P005001270	1	PLUG	
11	P005001260	1	NEEDLE - HIGH SPEED	
12	P005000930	1	PURGE BASE ASY	
13	P005000270	1	SCREW, PURGE BASE ASY	
14	12538108660	1	BULB, PURGE	
15	P005000250	1	RETAINER, PURGE BULB	
16	12531061830	4	SCREW, PURGE BULB RETAINER	
17	12534252130	1	COVER, DIAPHRAGM	
18	12534452130	3	SCREW, DIAPHRAGM COVER	
19	12533942030	1	SCREW, METERING LEVER PIN	
20	P005001670	1	REPAIR KIT	INCLUDES ITEMS 21-30
21	P005001000	1	ROLLER, GUIDE	
22	-----	1	PIN, METERING LEVER	
23	-----	1	VALVE, INLET NEEDLE	
24	-----	1	LEVER, METERING	
25	-----	1	SPRING, METERING LEVER	
26	-----	1	STRAINER	
27	-----	1	DIAPHRAGM, PUMP	
28	-----	1	GASKET, PUMP	
29	-----	1	GASKET, METERING	
30	-----	1	DIAPHRAGM, METERING	
31	P005001660	1	DIAPHRAGM/GASKET KIT	INCLUDES ITEMS 32-35
32	-----	1	DIAPHRAGM, PUMP	
33	-----	1	GASKET, PUMP	
34	-----	1	GASKET, METERING	
35	-----	1	DIAPHRAGM, METERING	



HC-150 & HC-150i  
S/N: 09001001 - 09999999  
HC-151 & HC-151i  
S/N: 09001001 - 10999999



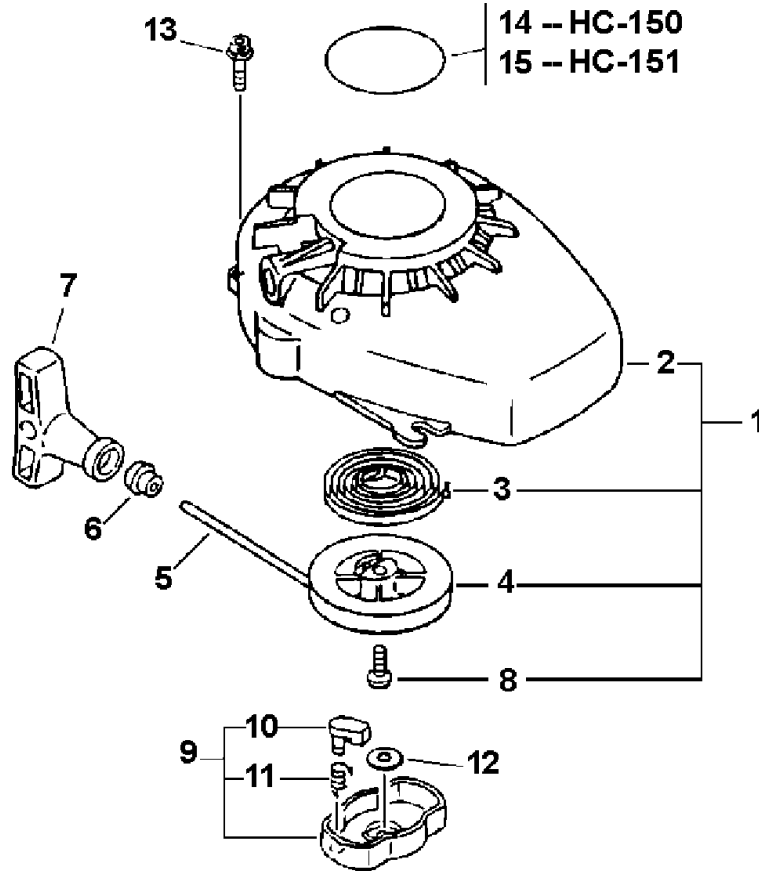
HC 0021 00 000



ITEM	PART NUMBER	QTY	DESCRIPTION	REMARKS
1	P021012290	1	GASKET KIT	
2	V104000590	1	SHIELD, EXHAUST <sup>1</sup>	
3	14581011520	1	MUFFLER	
4	90060000005	2	WASHER 5	
5	90010505050	2	SCREW 5X50	
6	14586240630	1	SCREEN, MUFFLER	
7	14586642031	1	GASKET, EXHAUST <sup>1</sup>	
8	A313000610	1	GUIDE, EXHAUST	
9	90024204010	3	SCREW 4X10	
10	A300000080	1	MUFFLER	
11	A313000640	1	GUIDE, EXHAUST	
12	V150000371	1	PLATE, EYE	
13	V347000000	4	WASHER, CONICAL	
14	90010505055	2	SCREW 5X55	
15	14586240630	1	SCREEN, MUFFLER	
16	V104000072	1	GASKET, EXHAUST <sup>1</sup>	
17	9136704012	3	SCREW 4X12	
18	A300000521	1	MUFFLER	
19	A313000700	1	GUIDE, EXHAUST	

**Footnotes**

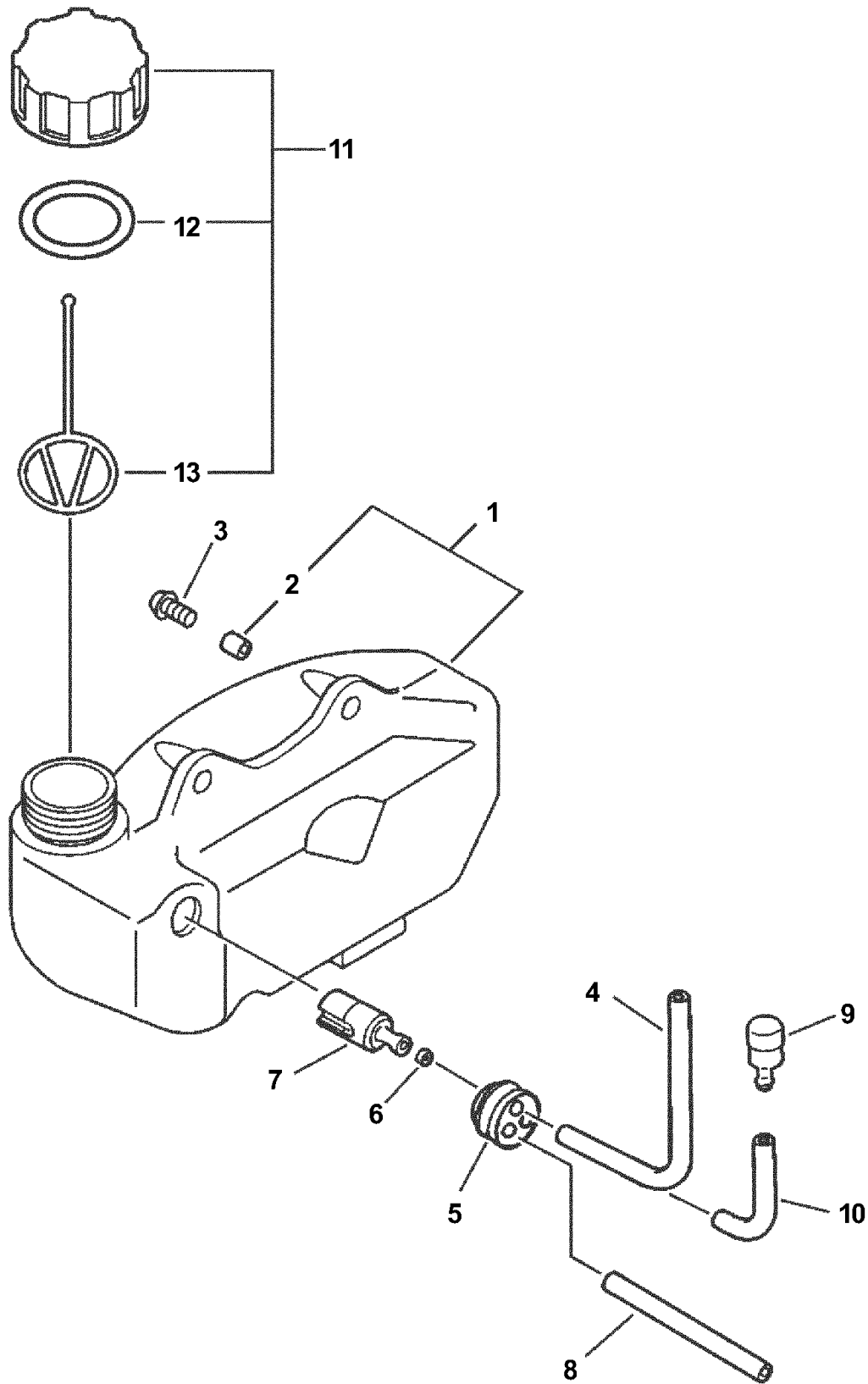
<sup>1</sup>: Also Included In GASKET KIT



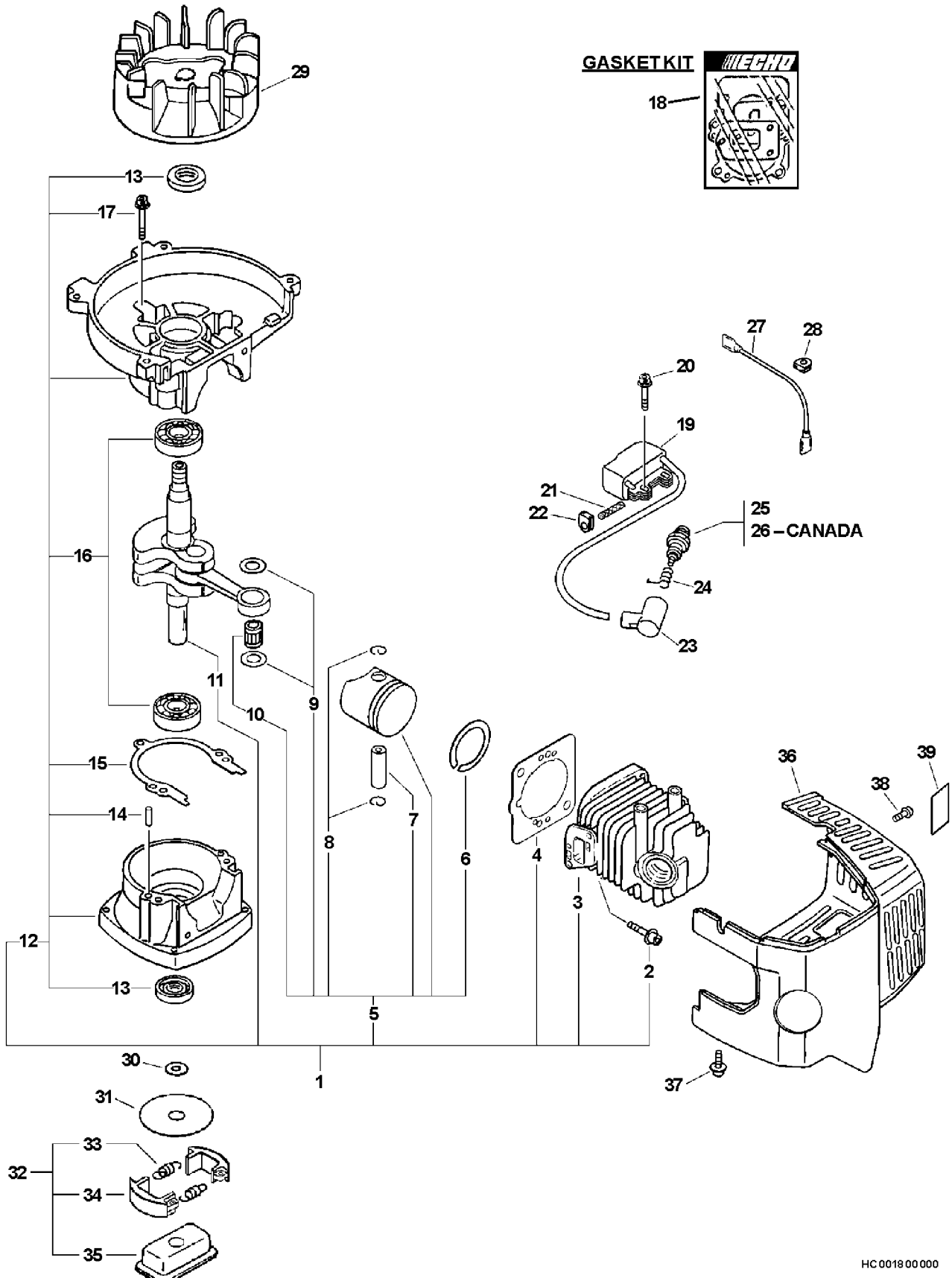
**ITEMS 1 THRU 12 MAY BE REPLACED COMPLETELY WITH i-START ACCESSORY KIT #99944200004. ALSO USE ITEM 14-15 FOR SPECIFIC MODEL**

HC001900000

ITEM	PART NUMBER	QTY	DESCRIPTION	REMARKS
1	17720012220	1	STARTER ASY	INCLUDES ITEMS 2-8
2	10151106562	1	COVER, FAN	
3	17722042030	1	SPRING, REWIND	
4	17721544430	1	DRUM, STARTER	
5	17722610120	1	ROPE, STARTER - 3X1000mm	REPOWER BULK OPTION: 99944440000
6	17722742030	1	GUIDE, ROPE	
7	17722811120	1	GRIP, STARTER	
8	17723644330	1	SCREW	
9	A052000160	1	STARTER PAWL ASY	INCLUDES ITEMS 10-11
10	17721844330	2	PAWL, STARTER	
11	17723412220	2	SPRING, RETURN	
12	90060500008	1	SPRING WASHER 8	
13	90016304016	4	SCREW 4X16	
14	X503003710	1	LABEL - MODEL -- HC-150	
15	X503001300	1	LABEL - MODEL -- HC-151	



ITEM	PART NUMBER	QTY	DESCRIPTION	REMARKS
1	A350000680	1	TANK, FUEL	INCLUDES ITEM 2
2	13104528230	2	SPACER	
3	90027505015	2	SCREW 5X15	
4	13201007530	1	PIPE, FUEL - 3X5X195mm	REPOWER BULK OPTION: 90014
5	V137000030	1	GROMMET	
6	13201309820	1	CLIP	
7	13120507320	1	STRAINER, FUEL	
8	13201006460	1	PIPE, RETURN - 3X6X110mm	REPOWER BULK OPTION: 90017
9	A356000030	1	VENT ASY	
10	V471001200	1	PIPE, VENT - 3X5X70mm	REPOWER BULK OPTION: 90014
11	13100455530	1	CAP ASY	INCLUDES ITEM 12-13
12	13101655830	1	GASKET, CAP	
13	13105156030	1	CONNECTOR, CAP	

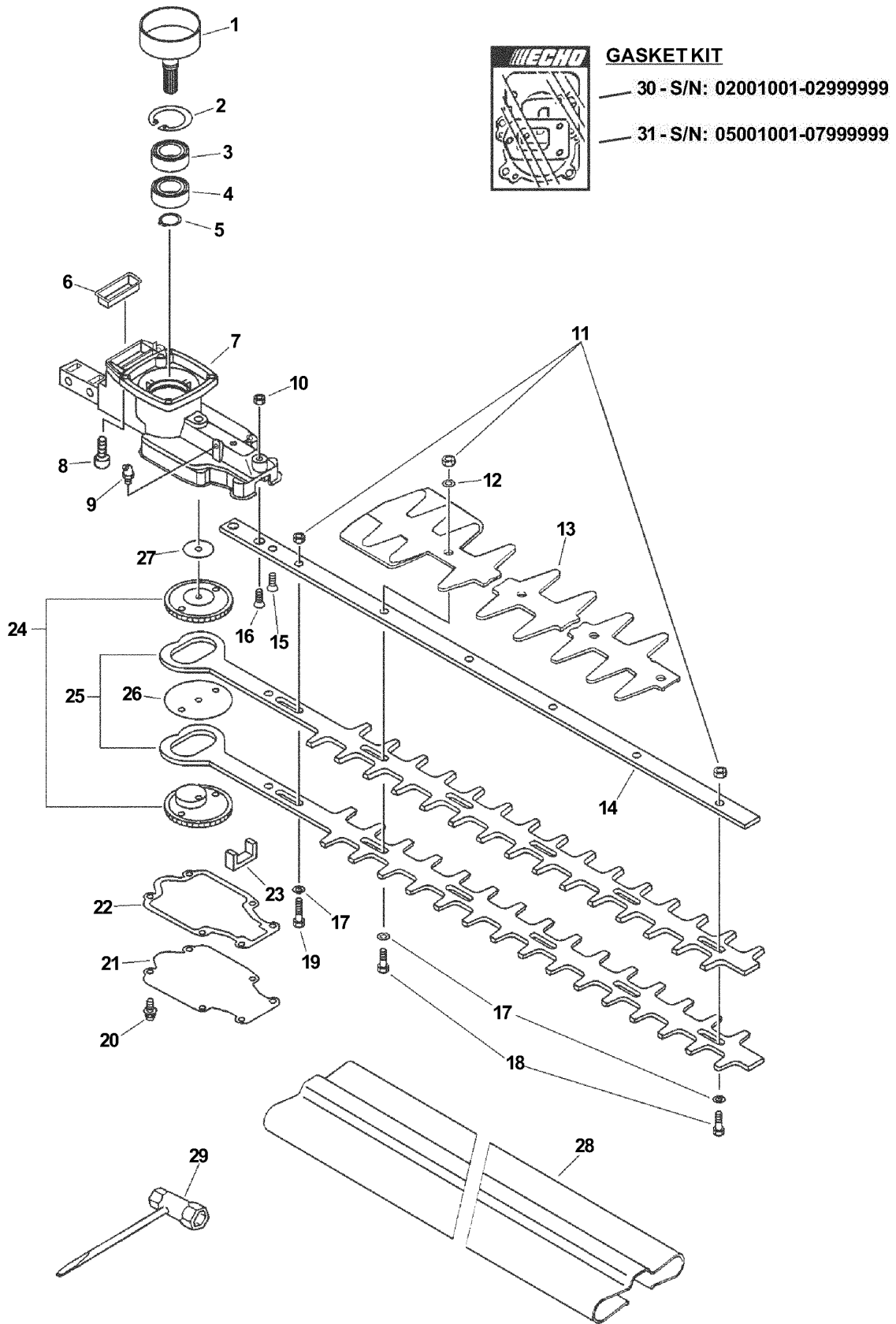


HC001800000

ITEM	PART NUMBER	QTY	DESCRIPTION	REMARKS
1	SB1074	1	SHORT BLOCK	INCLUDES ITEM 2-17
2	90016205022	2	SCREW 5X22	
3	A130000550	1	CYLINDER	
4	V100000160	1	GASKET, CYLINDER <sup>1</sup>	
5	P021007772	1	PISTON KIT	INCLUDES ITEMS 6-10
6	A101000090	1	RING, PISTON	
7	10001311520	1	PIN, PISTON	
8	10001504630	2	CIRCLIP, PISTON PIN	
9	10001408960	2	SPACER, PISTON PIN	
10	10011305930	1	BEARING, NEEDLE	
11	A011000312	1	CRANKSHAFT ASY	
12	10020405361	1	CRANKCASE KIT	INCLUDES ITEMS 13-17
13	10021242031	2	OIL SEAL	
14	V622000020	2	DOWEL PIN - 4X7.8mm	
15	10024242030	1	GASKET, CRANKCASE <sup>1</sup>	
16	9403536201	2	BEARING, BALL - 6201	
17	90016205028	3	SCREW 5X28	
18	P021012290	1	GASKET KIT	
19	A411000130	1	COIL, IGNITION	
20	90016204020	2	SCREW 4X20	
21	V475002200	1	TUBE, INSULATOR	
22	15611004920	1	BUSHING	
23	15901201620	1	CAP, SPARK PLUG	
24	15901103432	1	TERMINAL, SPARK PLUG CAP	
25	15901019830	1	SPARK PLUG -- BPM-8Y	
26	A425000000	1	SPARK PLUG -- BPMR-8Y	CANADA MODELS
27	16202152830	1	LEAD, IGNITION	
28	15611404920	1	GROMMET	
29	A409000150	1	FLYWHEEL	
30	17501405360	1	WASHER, CLUTCH	
31	17501904920	1	PLATE, CLUTCH	
32	17500006560	1	CLUTCH ASY	INCLUDES ITEMS 33-35
33	17501805960	2	SPRING, CLUTCH	
34	17500905131	2	SHOE, CLUTCH	
35	17501604920	1	HUB, CLUTCH	
36	A160000151	1	COVER, ENGINE - GRAY	
37	90016204020	2	SCREW 4X20	
38	9110704008	1	SCREW 4X8	
39	89016006361	1	LABEL - CAUTION -- HOT	

## Footnotes

1: Also Included In GASKET KIT

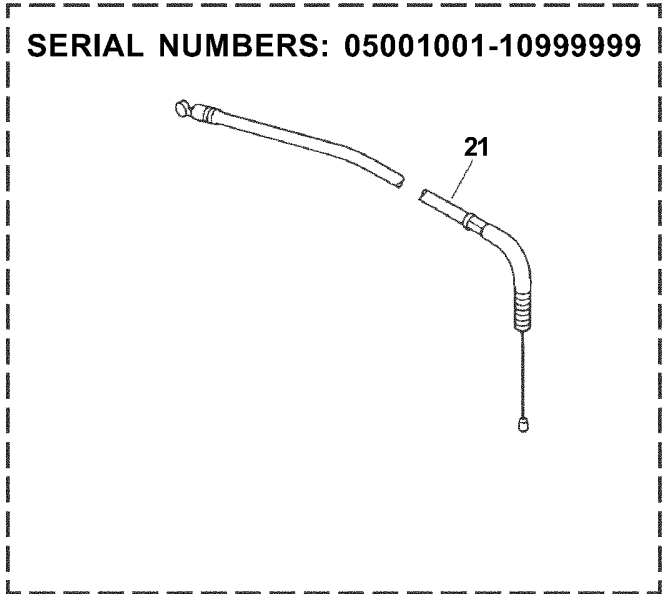
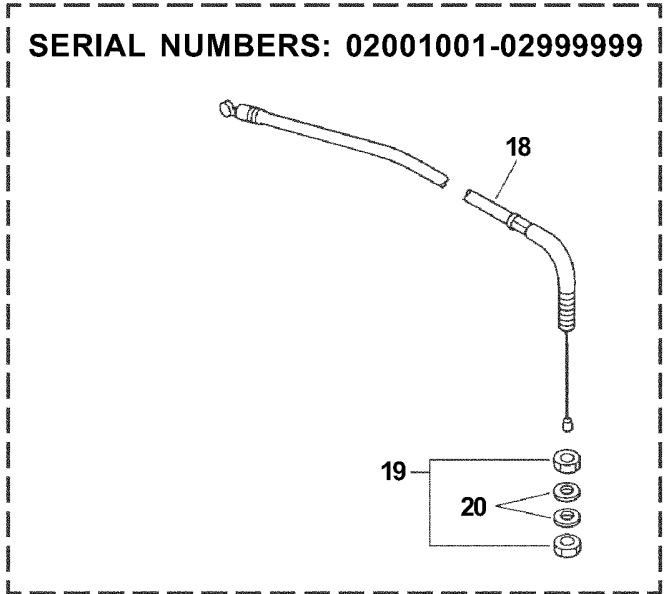
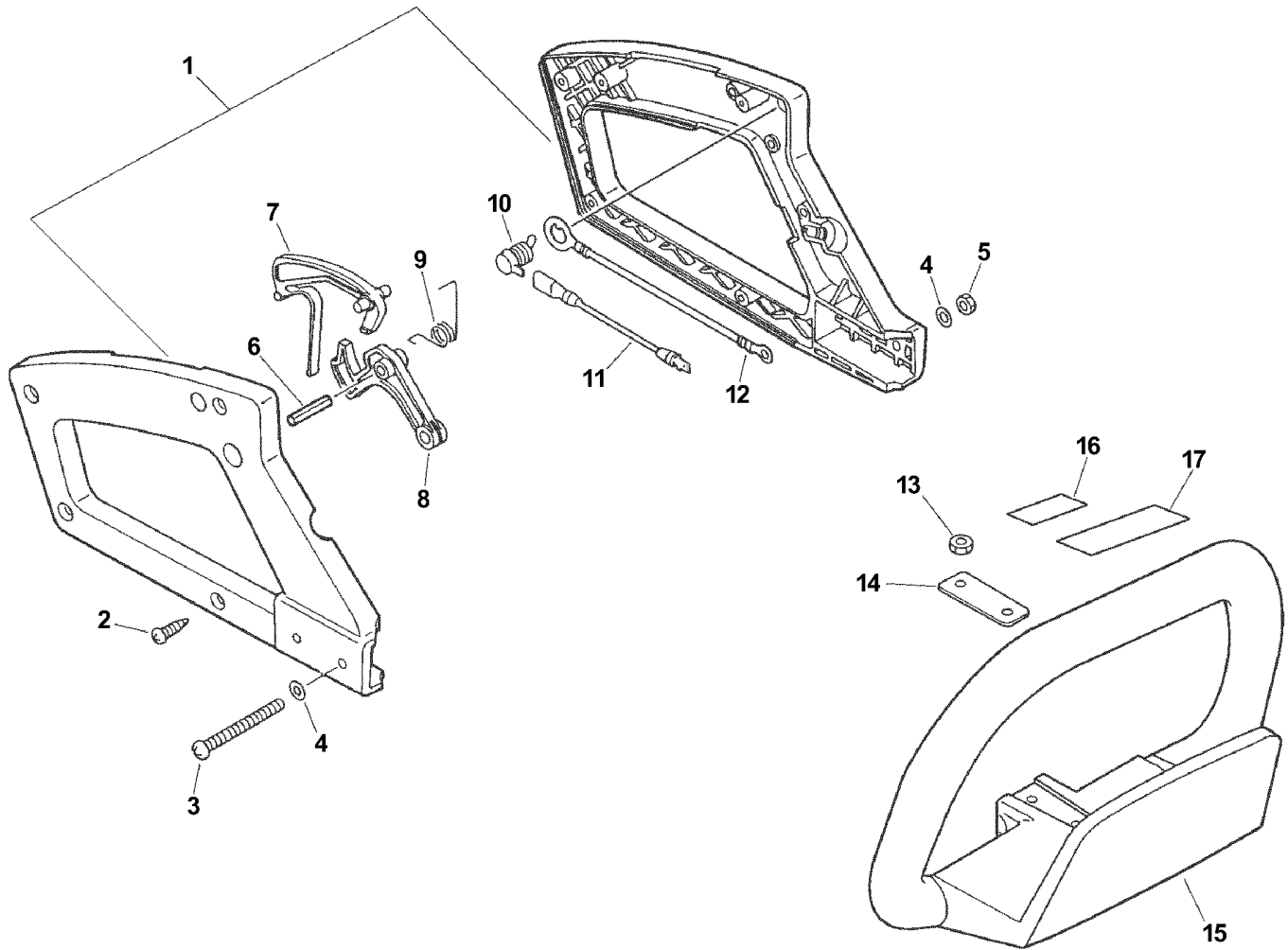




ITEM	PART NUMBER	QTY	DESCRIPTION	REMARKS
1	17500506560	1	DRUM, CLUTCH	
2	90070200035	1	CIRCLIP 35	
3	90087236202	1	BEARING, BALL	
4	90087036202	1	BEARING, BALL	
5	90070100014	1	CIRCLIP 14	
6	13192061830	1	CUSHION, FUEL TANK	
7	C531000051	1	CASE, GEAR	
8	90016304016	2	SCREW 4X16	
9	88011054230	1	NIPPLE, GREASE	
10	90050000006	2	NUT 6	
11	43302206460	6	NUT	
12	69911804560	4	WASHER	
13	69912503060	1	BLUNT	
14	X425000010	1	SUPPORT, BLADE	
15	90021205030	1	SCREW 5X30	
16	90021206030	2	SCREW 6X30	
17	69911804560	6	WASHER	
18	69911504660	5	BOLT 6	
19	69911506560	1	BOLT, BLADE	
20	90016204012	6	SCREW 4X12	
21	61041106560	1	LID, GEAR CASE	
22	61041406560	1	GASKET, GEAR HOUSING <sup>1</sup>	
23	61042606560	1	SEAL	
24	V650000250	2	GEAR, SPUR	
25	X411000020	2	BLADE	
26	68902505360	1	WASHER	
27	68902506560	1	WASHER	
28	X495000010	1	COVER, BLADE	
29	89541006960	1	WRENCH, W/SCREWDRIVER	
30	P021001610	1	GASKET KIT	
31	P021004710	1	GASKET KIT	

**Footnotes**

1: Also Included In GASKET KIT for SERIAL NUMBERS: 02001001-07999999 ONLY



**HC-150 Hedge Trimmer**

**Handle, Ignition Switch, Throttle Cable**

ITEM	PART NUMBER	QTY	DESCRIPTION	REMARKS
1	35110006560	1	REAR HANDLE SET	
2	90025504016	5	SCREW 4X16	
3	90022005047	2	SCREW 5X47	
4	90060000005	4	WASHER 5	
5	90056000005	1	LOCKNUT	
6	90034250025	1	SPRING PIN 5X25	
7	17809006560	1	LOCKOUT, THROTTLE CONTROL	
8	17801006560	1	CONTROL, THROTTLE	
9	17804315130	1	SPRING, THROTTLE RETURN	
10	16340003460	1	SWITCH, IGNITION	
11	V485000090	1	LEAD, IGNITION	
12	V485000080	1	LEAD, GROUND	
13	90056000005	2	LOCKNUT	
14	35161105360	1	WASHER	
15	35161005360	1	HANDLE, FRONT	
16	X505000290	1	LABEL, CAUTION	
17	X505000270	1	LABEL, CAUTION	
18	V430000110	1	CABLE, THROTTLE	
19	90050200006	2	NUT 6	
20	90060000006	2	WASHER 6	
21	V430000650	1	CABLE, THROTTLE	



# Part Number Index

Click The Page Number After Any Part Number To View The Diagram Containing That Part.

Part Number	Page	Part Number	Page	Part Number	Page
-----	5, 7	89012152730	5	V104000590	9
10001311520	15	89016006361	15	V137000030	13
10001408960	15	89541006960	17	V150000371	9
10001504630	15	90010505050	9	V347000000	9
10011305930	15	90010505055	9	V430000110	19
10020405361	15	90016204012	17	V430000650	19
10021242031	15	90016204020	15	V471001200	13
10024242030	15	90016205022	15	V475002200	15
10151106562	11	90016205028	15	V485000080	19
12531061830	7	90016304016	11, 17	V485000090	19
12533942030	7	90021205030	17	V622000020	15
12534252130	7	90021206030	17	V650000250	17
12534413931	7	90022005047	19	X411000020	17
12534452130	7	90022005065	5	X425000010	17
12538108660	7	90023805020	5	X495000010	17
12901152730	5	90024204010	9	X503001300	11
13001013410	5	90025504016	19	X503003710	11
13001744330	5	90027505015	13	X505000270	19
13031054130	5	90034250025	19	X505000290	19
13031306563	5	90050000005	5		
13100455530	13	90050000006	17		
13101655830	13	90050200006	19		
13104528230	13	90056000005	19		
13105156030	13	90060000005	9, 19		
13120507320	13	90060000006	19		
13192061830	17	90060500008	11		
13201006460	13	90070100014	17		
13201007530	13	90070200035	17		
13201309820	13	90087036202	17		
14581011520	9	90087236202	17		
14586240630	9	9110704008	15		
14586642031	9	9136704012	9		
15611004920	15	9403536201	15		
15611404920	15	A011000312	15		
15901019830	15	A021000740	7		
15901103432	15	A052000160	11		
15901201620	15	A101000090	15		
16202152830	15	A130000550	15		
16340003460	19	A160000151	15		
17500006560	15	A300000080	9		
17500506560	17	A300000521	9		
17500905131	15	A313000610	9		
17501405360	15	A313000640	9		
17501604920	15	A313000700	9		
17501805960	15	A350000680	13		
17501904920	15	A356000030	13		
17720012220	11	A409000150	15		
17721544430	11	A411000130	15		
17721844330	11	A425000000	15		
17722042030	11	C531000051	17		
17722610120	11	P005000100	7		
17722742030	11	P005000190	7		
17722811120	11	P005000250	7		
17723412220	11	P005000270	7		
17723644330	11	P005000280	7		
17801006560	19	P005000930	7		
17804315130	19	P005001000	7		
17809006560	19	P005001240	7		
21041752730	5	P005001260	7		
35110006560	19	P005001270	7		
35161005360	19	P005001320	7		
35161105360	19	P005001330	7		
43302206460	17	P005001660	7		
61041106560	17	P005001670	7		
61041406560	17	P021000991	5		
61042606560	17	P021001610	17		
68902505360	17	P021004710	5, 17		
68902506560	17	P021007772	15		
69911504660	17	P021012290	5, 9, 15		
69911506560	17	SB1074	15		
69911804560	17	V100000160	15		
69912503060	17	V103000490	5		
88011054230	17	V104000072	9		



# Part Description Index

Click The Page Number After Any Part Description To View The Diagram Containing That Part.

## B

BEARING, BALL.....17  
 BEARING, BALL - 6201.....15  
 BEARING, NEEDLE.....15  
 BLADE.....17  
 BLUNT.....17  
 BODY, CARBURETOR.....7  
 BOLT 6.....17  
 BOLT, BLADE.....17  
 BOLT, WING.....5  
 BULB, PURGE.....7  
 BUSHING.....15

## C

CABLE, THROTTLE.....19  
 CAP ASY.....13  
 CAP, SPARK PLUG.....15  
 CARBURETOR.....5  
 CARBURETOR -- RB-K75.....7  
 CASE, AIR CLEANER - GRAY.....5  
 CASE, GEAR.....17  
 CIRCLIP 14.....17  
 CIRCLIP 35.....17  
 CIRCLIP, PISTON PIN.....15  
 CLIP.....13  
 CLUTCH ASY.....15  
 COIL, IGNITION.....15  
 CONNECTOR, CAP.....13  
 CONTROL, THROTTLE.....19  
 COVER, BLADE.....17  
 COVER, DIAPHRAGM.....7  
 COVER, ENGINE - GRAY.....15  
 COVER, FAN.....11  
 CRANKCASE KIT.....15  
 CRANKSHAFT ASY.....15  
 CUSHION, FUEL TANK.....17  
 CYLINDER.....15

## D

DIAPHRAGM, METERING.....7  
 DIAPHRAGM, PUMP.....7  
 DIAPHRAGM/GASKET KIT.....7  
 DOWEL PIN - 4X7.8mm.....15  
 DRUM, CLUTCH.....17  
 DRUM, STARTER.....11

## E

E-RING.....7

## F

FILTER, AIR.....5  
 FLYWHEEL.....15

## G

GASKET KIT.....5, 9, 15, 17  
 GASKET, CAP.....13  
 GASKET, CRANKCASE.....15  
 GASKET, CYLINDER.....15  
 GASKET, EXHAUST.....9  
 GASKET, GEAR HOUSING.....17  
 GASKET, INTAKE.....5  
 GASKET, METERING.....7

GASKET, PUMP.....7  
 GEAR, SPUR.....17  
 GRIP, STARTER.....11  
 GROMMET.....13, 15  
 GUIDE, EXHAUST.....9  
 GUIDE, ROPE.....11

## H

HANDLE, FRONT.....19  
 HUB, CLUTCH.....15

## I

INSULATOR, INTAKE.....5

## L

LABEL - CAUTION -- HOT.....15  
 LABEL - CHOKE.....5  
 LABEL - MODEL -- HC-150.....11  
 LABEL - MODEL -- HC-151.....11  
 LABEL, CAUTION.....19  
 LEAD, GROUND.....19  
 LEAD, IGNITION.....15, 19  
 LEVER, METERING.....7  
 LID, AIR CLEANER - GRAY.....5  
 LID, GEAR CASE.....17  
 LOCKNUT.....19  
 LOCKOUT, THROTTLE CONTROL.....19

## M

MUFFLER.....9

## N

NEEDLE - HIGH SPEED.....7  
 NIPPLE, GREASE.....17  
 NUT.....17  
 NUT 5.....5  
 NUT 6.....17, 19

## O

OIL SEAL.....15  
 O-RING.....7

## P

PAWL, STARTER.....11  
 PIN, METERING LEVER.....7  
 PIN, PISTON.....15  
 PIPE, FUEL - 3X5X195mm.....13  
 PIPE, RETURN - 3X6X110mm.....13  
 PIPE, VENT - 3X5X70mm.....13  
 PISTON KIT.....15  
 PLATE, CLUTCH.....15  
 PLATE, EYE.....9  
 PLATE, PREVENT.....5  
 PLUG.....7  
 PURGE BASE ASY.....7

## R

REAR HANDLE SET.....19  
 REPAIR KIT.....7  
 RETAINER, PURGE BULB.....7  
 RING, PISTON.....15  
 ROLLER, GUIDE.....7

ROPE, STARTER - 3X1000mm.....11  
 ROTOR COVER ASY.....7

## S

SCREEN, MUFFLER.....9  
 SCREW.....11  
 SCREW 4X10.....9  
 SCREW 4X12.....9, 17  
 SCREW 4X16.....11, 17, 19  
 SCREW 4X20.....15  
 SCREW 4X8.....15  
 SCREW 5X15.....13  
 SCREW 5X20.....5  
 SCREW 5X22.....15  
 SCREW 5X28.....15  
 SCREW 5X30.....17  
 SCREW 5X47.....19  
 SCREW 5X50.....9  
 SCREW 5X55.....9  
 SCREW 5X65.....5  
 SCREW 6X30.....17  
 SCREW, CABLE ADJUST.....7  
 SCREW, DIAPHRAGM COVER.....7  
 SCREW, METERING LEVER PIN.....7  
 SCREW, PURGE BASE ASY.....7  
 SCREW, PURGE BULB RETAINER.....7  
 SCREW, ROTOR COVER.....7  
 SCREW, ROTOR COVER ASY.....7  
 SCREW, THROTTLE ADJUST.....7  
 SEAL.....17  
 SHIELD, EXHAUST.....9  
 SHIELD, INTAKE.....5  
 SHOE, CLUTCH.....15  
 SHORT BLOCK.....15  
 SPACER.....13  
 SPACER, PISTON PIN.....15  
 SPARK PLUG -- BPM-8Y.....15  
 SPARK PLUG -- BPMR-8Y.....15  
 SPRING PIN 5X25.....19  
 SPRING WASHER 8.....11  
 SPRING, CLUTCH.....15  
 SPRING, METERING LEVER.....7  
 SPRING, RETURN.....11  
 SPRING, REWIND.....11  
 SPRING, THROTTLE RETURN.....19  
 STARTER ASY.....11  
 STARTER PAWL ASY.....11  
 STRAINER.....7  
 STRAINER, FUEL.....13  
 SUPPORT, BLADE.....17  
 SWITCH, IGNITION.....19  
 SWIVEL.....7

## T

TANK, FUEL.....13  
 TERMINAL, SPARK PLUG CAP.....15  
 TUBE, INSULATOR.....15

## V

VALVE, INLET NEEDLE.....7  
 VENT ASY.....13

## W

WASHER.....17, 19



## Part Description Index (continued)

---

WASHER 5.....9, 19  
WASHER 6.....19  
WASHER, CLUTCH.....15  
WASHER, CONICAL.....9  
WRENCH, W/SCREWDRIVER.....17

## **NOTES**



**ECHO, INCORPORATED**

400 Oakwood Road  
Lake Zurich, IL 60047 USA

[WWW.ECHO-USA.COM](http://WWW.ECHO-USA.COM)

---