

HC-155 Hedge Trimmer

Cortaseto
21.2 cc

S/N: S68011001001 - S68011999999



ECHO®

TABLE OF CONTENTS - CONTENIDO

Click Any Diagram Description Below To View That Diagram
Chasque cualquier descripción del diagrama abajo para ver ese diagrama

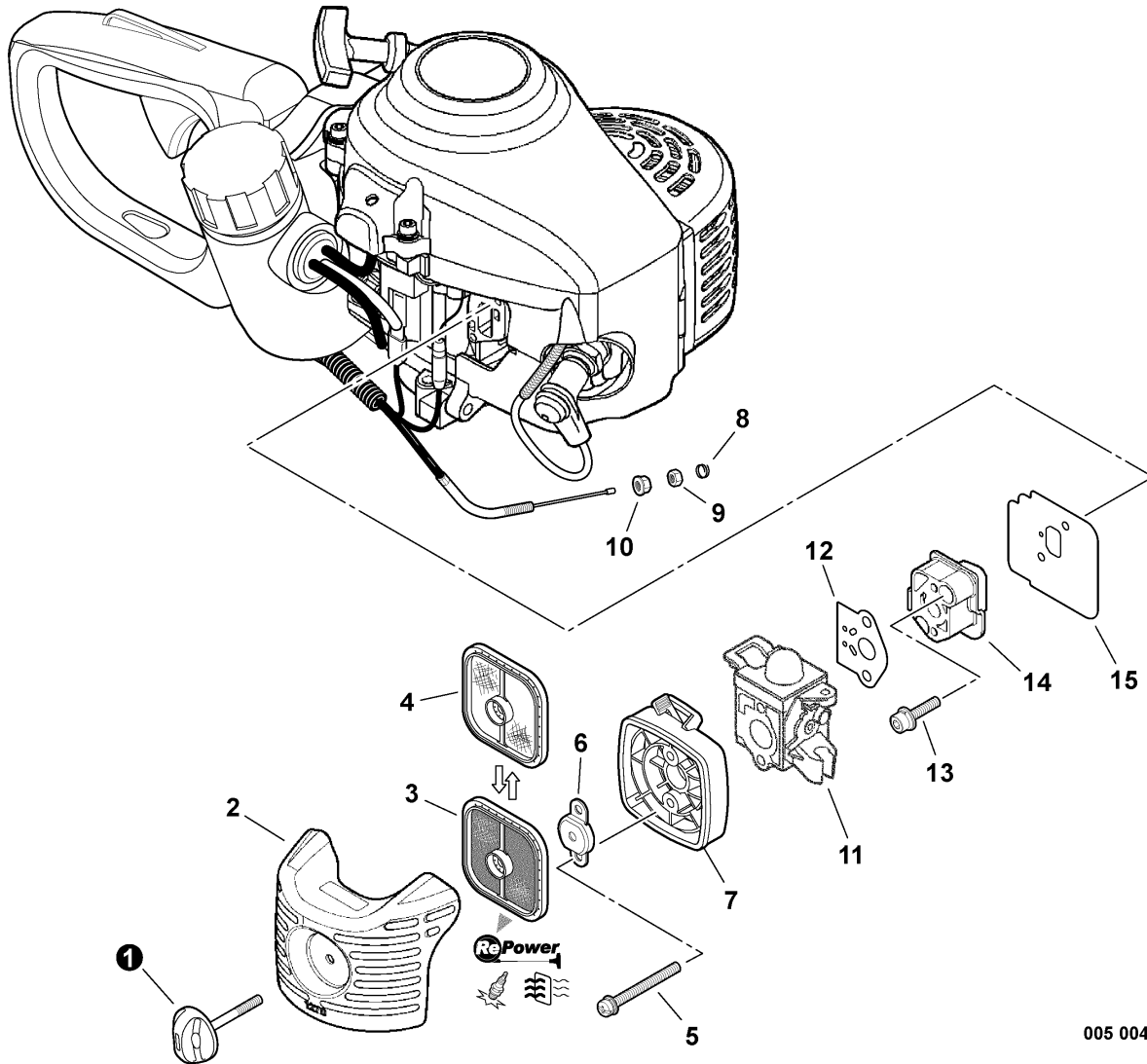
| | |
|--|-----------|
| Intake | 3 |
| Admisión | |
| Carburetor -- RB-K91 S/N: S68011001001 - S68011002768 | 4 |
| Carburador -- RB-K91 N/S: S68011001001 - S68011002768 | |
| Carburetor -- RB-K91A S/N: S68011002769 - S68011999999 | 6 |
| Carburador -- RB-K91A N/S: S68011002769 - S68011999999 | |
| Exhaust | 8 |
| Escape | |
| Fuel System, Debris Guard S/N: S68011001001 - S68011002896 | 9 |
| Sistema de Combustible, Lubricador Automático N/S: S68011001001 - S68011002896 | |
| Fuel System, Debris Guard S/N: S68011002897 - S68011999999 | 11 |
| Sistema de Combustible, Lubricador Automático N/S: S68011002897 - S68011999999 | |
| Ignition | 13 |
| Ignición | |
| Starter, Engine Cover | 14 |
| Arrancador, Cubierta del Motor | |
| Rear Handle, Ignition Switch, Throttle Cable | 15 |
| Mango Trasero, Interruptor del Encendido, Cable del Acelerador | |
| Front Handle, Gear Case, Blades - 20" WITH Tip Guard | 16 |
| Mango Delantero, Caja de Angranajes, Cuchillas - 20" con el protector de la extremidad | |
| Front Handle, Gear Case, Blades - 20" WITHOUT Tip Guard | 18 |
| Mango Delantero, Caja de Angranajes, Cuchillas - 20" sin protector de la extremidad | |
| Front Handle, Gear Case, Blades - 24" WITH Tip Guard | 20 |
| Mango Delantero, Caja de Angranajes, Cuchillas - 24" con el protector de la extremidad | |
| Front Handle, Gear Case, Blades - 24" WITHOUT Tip Guard | 22 |
| Mango Delantero, Caja de Angranajes, Cuchillas - 24" sin protector de la extremidad | |
| Clutch | 24 |
| Embrague | |
| Engine, Short Block -- SB1075 | 25 |
| Motor, Bloque Corto -- SB1075 | |
| Labels | 26 |
| Etiquetas | |
| RePower Kits | 27 |
| Kits RePower | |
| Part Number Index | 29 |
| Índice Del Número De Parte | |



NOTES -- NOTAS

Cortaseto

Intake Admisión



005 0044 VRT

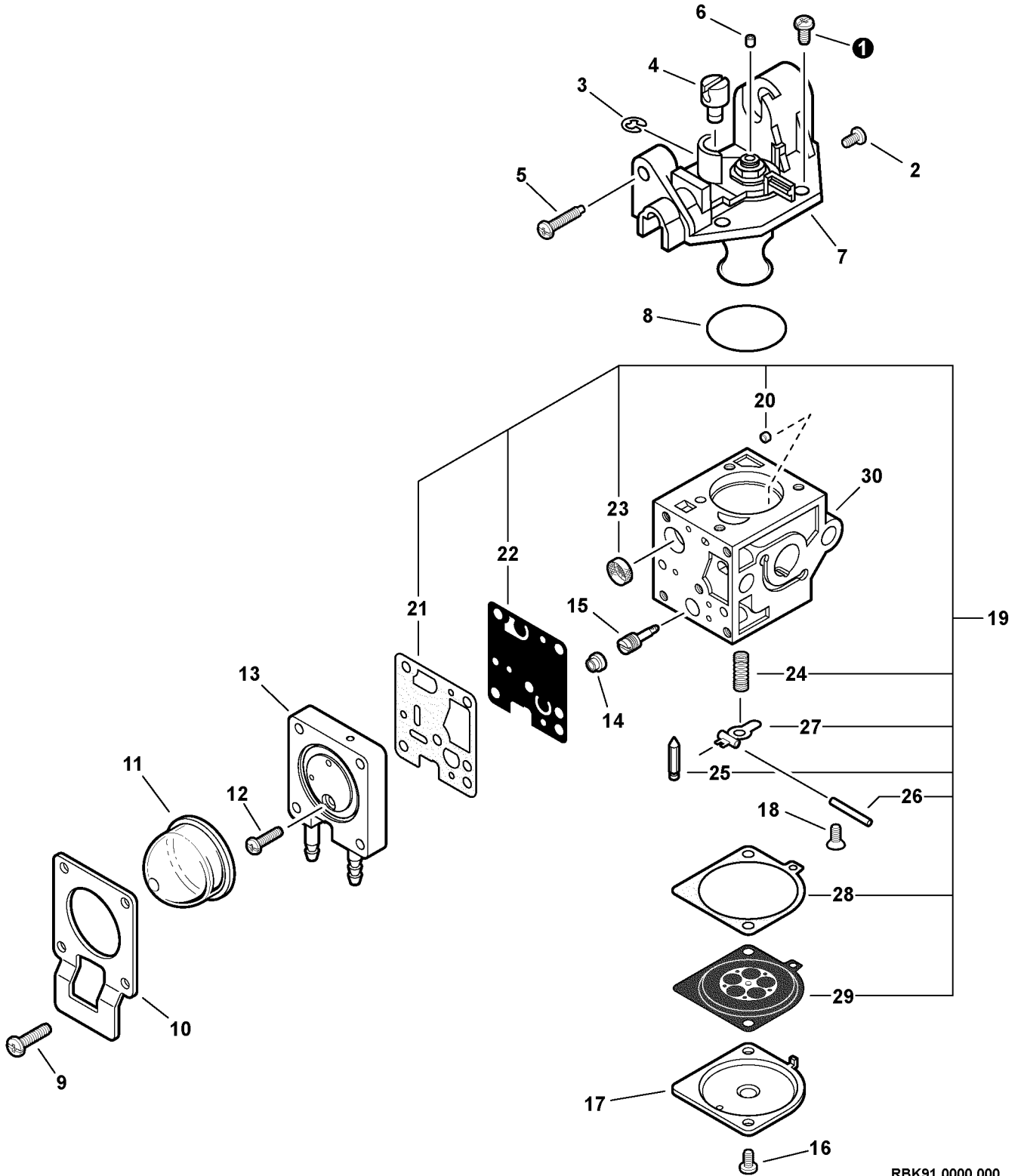
| | | | | |
|----|-------------|---|----------------------------|-----------------------------|
| ① | V299000250 | 1 | THUMBSCREW | TORNILLO, DE OREJETAS |
| 2 | A232000400 | 1 | COVER, AIR FILTER | CUBIERTA, FILTRO DE AIRE |
| 3 | A226001410 | 1 | FILTER, AIR - DOUBLE LAYER | FILTRO DE AIRE - CAPA DOBLE |
| 4 | 13031054130 | 1 | FILTER, AIR - SINGLE LAYER | FILTRO DE AIRE - CAPA ÚNICA |
| 5 | 90024205065 | 2 | SCREW - 5X65 | TORNILLO - 5X65 |
| 6 | 12901152730 | 1 | PLATE, PREVENT | PLACA, PRE-RESPIRADERO |
| 7 | P021012870 | 1 | CASE, AIR FILTER | CARCASA, FILTRO DE AIRE |
| 8 | V490001100 | 1 | CLIP | GANCHO |
| 9 | 90050200006 | 1 | NUT - 6 | TUERCA - 6 |
| 10 | 90051800006 | 1 | NUT - 6 -- FLANGE | TUERCA, DE BRIDA - 6 |
| 11 | ----- | 1 | CARBURETOR | CARBURADOR |
| 12 | V103000410 | 1 | GASKET, INTAKE | JUNTA, ADMISIÓN |
| 13 | 90016205025 | 2 | SCREW - 5X25 | TORNILLO - 5X25 |
| 14 | A200000300 | 1 | INSULATOR, INTAKE | ADMISIÓN, ADMISIÓN |
| 15 | V103000180 | 1 | SHIELD, INTAKE | PROTECTOR, ADMISIÓN |
| TU | 90074 | | RePower TUNE-UP KIT | KIT DE PUESTA A PUNTO |
| FF | 90008 | | RePower FILTER KIT | KIT DE FILTRACIÓN |

Cortaseto

Carburetor -- RB-K91

Carburador -- RB-K91

S/N: S68011001001 - S68011002768



RBK91 0000 000

Cortaseto

Carburetor -- RB-K91

Carburador -- RB-K91

S/N: S68011001001 - S68011002768

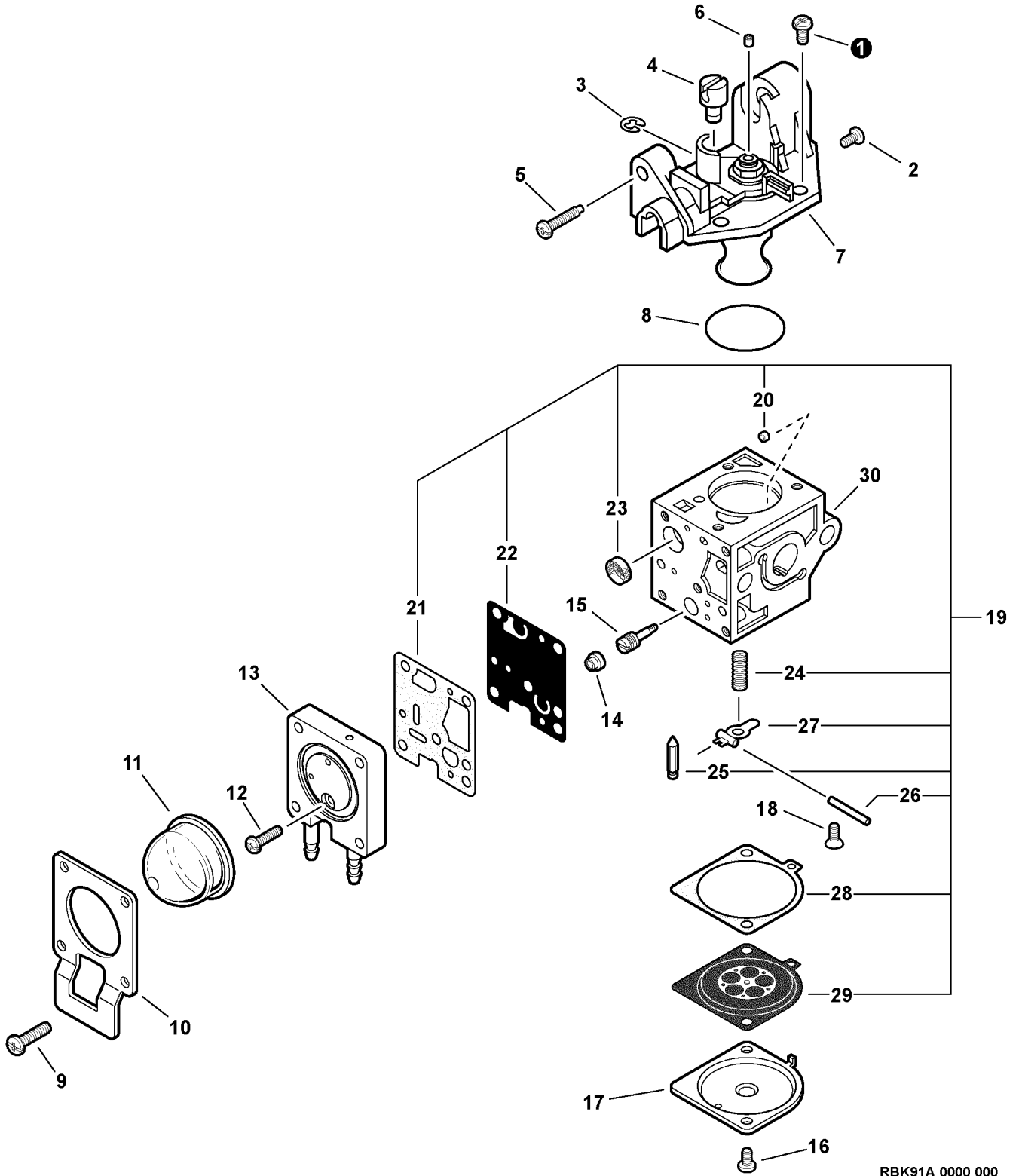
| | | | | |
|----|---------------|---|----------------------------|---------------------------------------|
| | A021001610 | 1 | CARBURETOR -- RB-K91 | CARBURADOR -- RB-K91 |
| ① | + 12534413931 | 3 | SCREW | TORNILLO |
| 2 | + 12534452130 | 1 | SCREW | TORNILLO |
| 3 | + P005000190 | 1 | RING, RETAINING | ANILLO, RETÉN |
| 4 | + P005002090 | 1 | SWIVEL | PIVOTE |
| 5 | + P005000100 | 1 | SCREW, IDLE ADJUST | TORNILLO, AJUSTE DE RALENTÍ |
| 6 | + P005001270 | 1 | PLUG | TAPÓN |
| 7 | + P005002050 | 1 | ROTOR COVER ASSY | CONJUNTO DE CUBIERTA DEL ROTOR |
| 8 | + P005000280 | 1 | O-RING | ANILLO O |
| 9 | + P005001900 | 4 | SCREW, PURGE BULB RETAINER | TORNILLO, RETÉN DEL BULBO DE LA PURGA |
| 10 | + P005000250 | 1 | RETAINER, PURGE BULB | RETÉN, BULBO DE LA PURGA |
| 11 | + 12538108660 | 1 | BULB, PURGE | BULBO, PURGA |
| 12 | + P005000270 | 1 | SCREW, PURGE BASE | TORNILLO, BASE, PURGA |
| 13 | + P005001890 | 1 | BASE, PURGE | BASE, PURGA |
| 14 | + P005001270 | 1 | PLUG | TAPÓN |
| 15 | + P005002060 | 1 | NEEDLE - HIGH SPEED | AGUJA - ALTA VELOCIDAD |
| 16 | + 12534452130 | 2 | SCREW | TORNILLO |
| 17 | + 12534252130 | 1 | COVER, METERING | CUBIERTA, MEDICIÓN |
| 18 | + 12533942030 | 1 | SCREW, METERING LEVER PIN | TORNILLO, PASADOR DE RETÉN |
| 19 | + P005001670 | 1 | REPAIR KIT | KIT DE REPARACIÓN |
| 20 | + P005001000 | 1 | GUIDE, ROLLER | GUÍA, RODILLO |
| 21 | + ----- | 1 | GASKET, PUMP | JUNTA, BOMBA |
| 22 | + ----- | 1 | DIAPHRAGM, PUMP | DIAPHRAGMA, BOMBA |
| 23 | + ----- | 1 | STRAINER | TAMIZ |
| 24 | + ----- | 1 | SPRING, METERING LEVER | RESORTE, PALANCA DE DOSIFICACIÓN |
| 25 | + ----- | 1 | VALVE, INLET NEEDLE | VÁLVULA DE AGUJA, ADMISIÓN |
| 26 | + ----- | 1 | PIN, METERING LEVER | PASADOR, PALANCA DE DOSIFICACIÓN |
| 27 | + ----- | 1 | LEVER, METERING | PALANCA, DOSIFICACIÓN |
| 28 | + ----- | 1 | GASKET, DIAPHRAGM | JUNTA, DIAFRAGMA |
| 29 | + ----- | 1 | DIAPHRAGM, METERING | DIAPHRAGMA, DOSIFICACIÓN |
| 30 | + ----- | 1 | BODY, CARBURETOR | CUERPO, CARBURADOR |

Cortaseto

Carburetor -- RB-K91A

Carburador -- RB-K91A

S/N: S68011002769 - S68011999999



RBK91A 0000 000

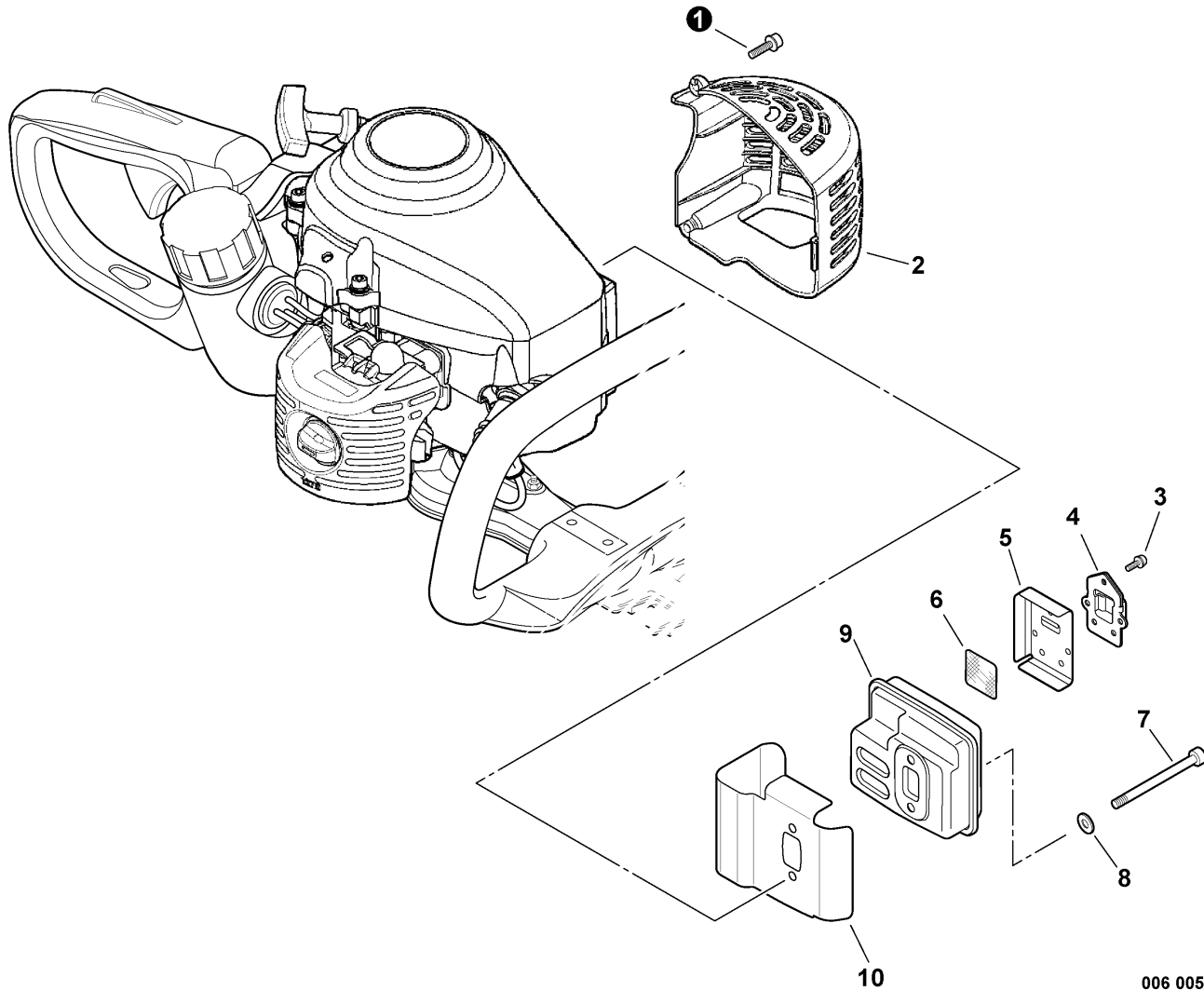
Cortaseto

Carburetor -- RB-K91A

Carburador -- RB-K91A

S/N: S68011002769 - S68011999999

| | | | | |
|----|---------------|---|----------------------------|---------------------------------------|
| | A021001611 | 1 | CARBURETOR -- RB-K91A | CARBURADOR -- RB-K91A |
| ① | + 12534413931 | 3 | SCREW | TORNILLO |
| 2 | + 12534452130 | 1 | SCREW | TORNILLO |
| 3 | + P005000190 | 1 | RING, RETAINING | ANILLO, RETÉN |
| 4 | + P005002090 | 1 | SWIVEL | PIVOTE |
| 5 | + P005000100 | 1 | SCREW, IDLE ADJUST | TORNILLO, AJUSTE DE RALENTÍ |
| 6 | + P005001270 | 1 | PLUG | TAPÓN |
| 7 | + P005002050 | 1 | ROTOR COVER ASSY | CONJUNTO DE CUBIERTA DEL ROTOR |
| 8 | + P005000280 | 1 | O-RING | ANILLO O |
| 9 | + P005001900 | 4 | SCREW, PURGE BULB RETAINER | TORNILLO, RETÉN DEL BULBO DE LA PURGA |
| 10 | + P005000250 | 1 | RETAINER, PURGE BULB | RETÉN, BULBO DE LA PURGA |
| 11 | + 12538108660 | 1 | BULB, PURGE | BULBO, PURGA |
| 12 | + P005000270 | 1 | SCREW, PURGE BASE | TORNILLO, BASE, PURGA |
| 13 | + P005001890 | 1 | BASE, PURGE | BASE, PURGA |
| 14 | + P005001270 | 1 | PLUG | TAPÓN |
| 15 | + P005002060 | 1 | NEEDLE - HIGH SPEED | AGUJA - ALTA VELOCIDAD |
| 16 | + 12534452130 | 2 | SCREW | TORNILLO |
| 17 | + 12534252130 | 1 | COVER, METERING | CUBIERTA, MEDICIÓN |
| 18 | + 12533942030 | 1 | SCREW, METERING LEVER PIN | TORNILLO, PASADOR DE RETÉN |
| 19 | + P005001670 | 1 | REPAIR KIT | KIT DE REPARACIÓN |
| 20 | + P005001000 | 1 | GUIDE, ROLLER | GUÍA, RODILLO |
| 21 | + ----- | 1 | GASKET, PUMP | JUNTA, BOMBA |
| 22 | + ----- | 1 | DIAPHRAGM, PUMP | DIAFRAGMA, BOMBA |
| 23 | + ----- | 1 | STRAINER | TAMIZ |
| 24 | + ----- | 1 | SPRING, METERING LEVER | RESORTE, PALANCA DE DOSIFICACIÓN |
| 25 | + ----- | 1 | VALVE, INLET NEEDLE | VÁLVULA DE AGUJA, ADMISIÓN |
| 26 | + ----- | 1 | PIN, METERING LEVER | PASADOR, PALANCA DE DOSIFICACIÓN |
| 27 | + ----- | 1 | LEVER, METERING | PALANCA, DOSIFICACIÓN |
| 28 | + ----- | 1 | GASKET, DIAPHRAGM | JUNTA, DIAFRAGMA |
| 29 | + ----- | 1 | DIAPHRAGM, METERING | DIAFRAGMA, DOSIFICACIÓN |
| 30 | + ----- | 1 | BODY, CARBURETOR | CUERPO, CARBURADOR |

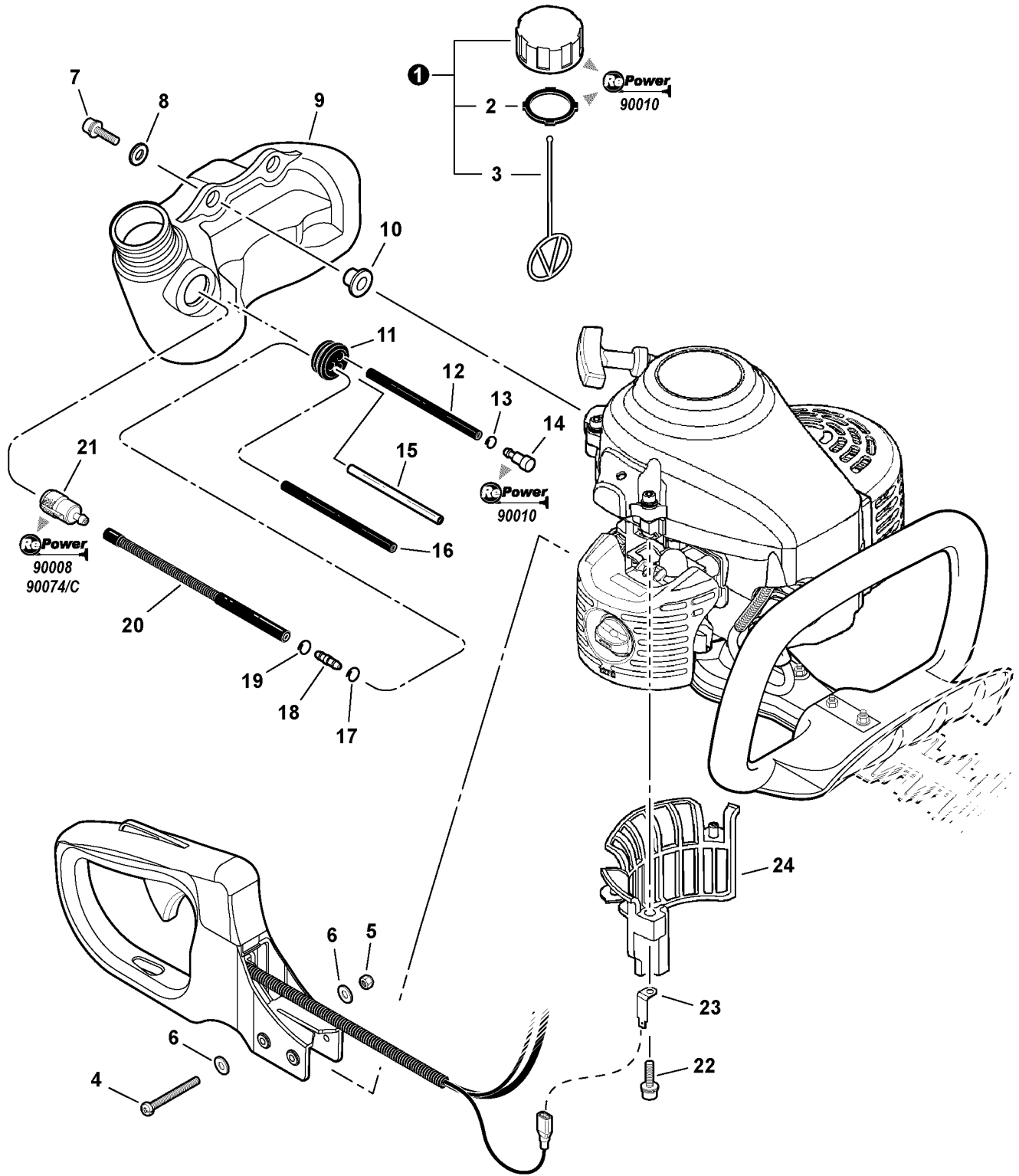


006 0051 VRT

| | | | | |
|----|-------------|---|------------------------|-------------------------------|
| 1 | 9111005016 | 2 | SCREW - 5X16 | TORNILLO - 5X16 |
| 2 | A320000430 | 1 | COVER, EXHAUST | CUBIERTA, ESCAPE |
| 3 | 90024204010 | 3 | SCREW - 4X10 | TORNILLO - 4X10 |
| 4 | A313000580 | 1 | GUIDE, EXHAUST | GUÍA, ESCAPE |
| 5 | 14586642031 | 1 | GASKET, EXHAUST | JUNTA, ESCAPE |
| 6 | 14586240630 | 1 | SCREEN, SPARK ARRESTOR | PANTALLA, SUPRESOR DE CHISPAS |
| 7 | 90010505055 | 2 | SCREW - 5X55 | TORNILLO - 5X50 |
| 8 | 90060000005 | 2 | WASHER - 5 | ARANDELA - 5 |
| 9 | 14580642030 | 1 | MUFFLER | SILENCIADOR |
| 10 | V104000850 | 1 | SHIELD, EXHAUST | PROTECTOR, ESCAPE |

Cortaseto

Fuel System, Debris Guard
Sistema de Combustible, Lubricador Automático
S/N: S68011001001 - S68011002896



002 0043 VRT

Cortaseto

 Fuel System, Debris Guard
 Sistema de Combustible, Lubricador Automático
 S/N: S68011001001 - S68011002896

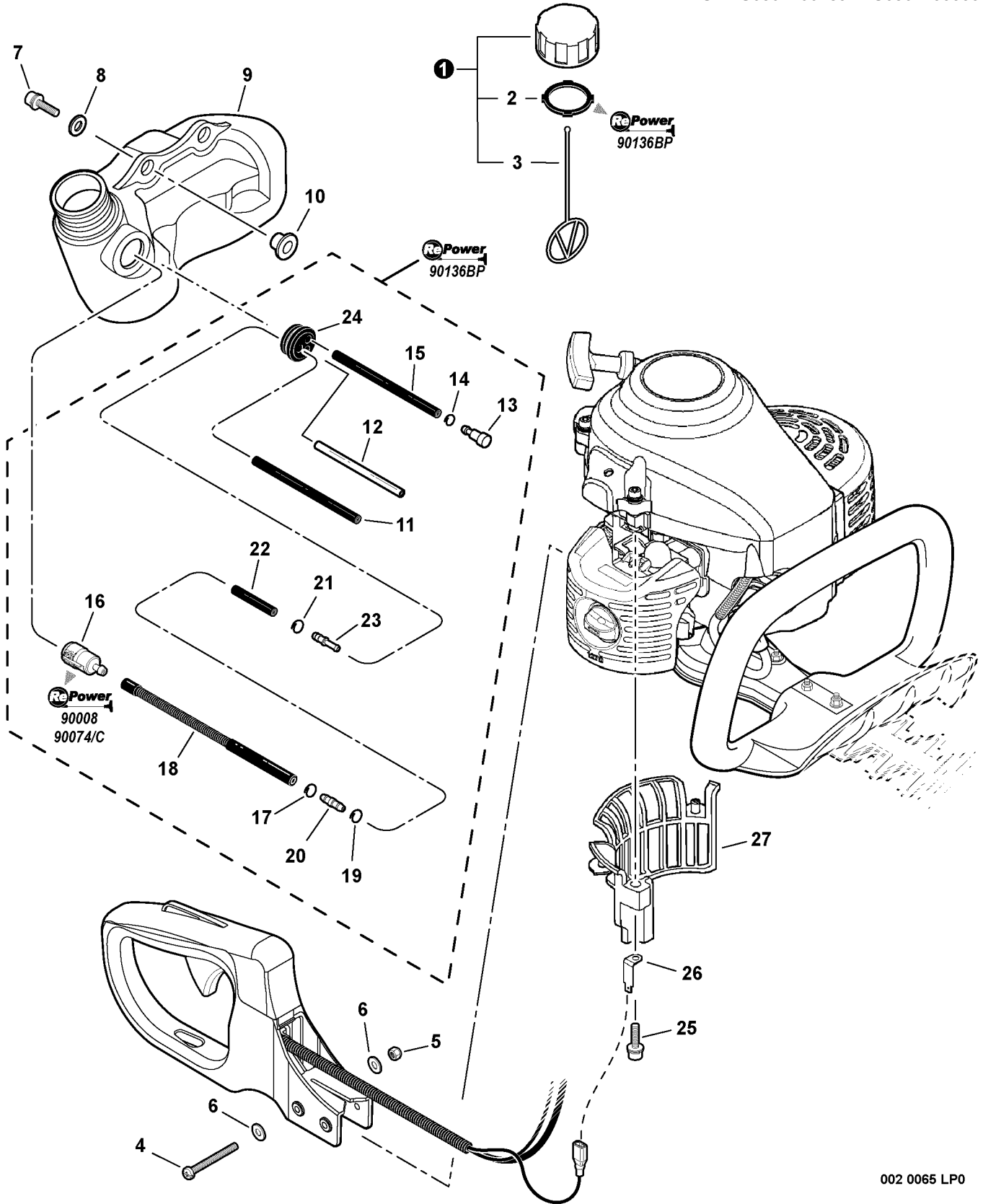
| | | | | |
|----|---------------|---|--------------------------|------------------------------------|
| ① | P021012210 | 1 | CAP ASSY | CONJUNTO DE TAPA |
| 2 | + 13101655830 | 1 | GASKET, CAP | JUNTA, TAPA |
| 3 | + A365000060 | 1 | CONNECTOR, CAP | CONECTOR, TAPA |
| 4 | 90022005045 | 2 | SCREW - 5X45 | TORNILLO - 5X45 |
| 5 | 90056000005 | 2 | LOCKNUT - 5 | CONTRATUERCA - 5 |
| 6 | 90060000005 | 4 | WASHER - 5 | ARANDELA - 5 |
| 7 | 90016205020 | 3 | SCREW - 5X20 | TORNILLO - 5X20 |
| 8 | 90060300005 | 3 | WASHER - 5 | ARANDELA - 5 |
| 9 | A350000810 | 1 | TANK, FUEL | TANQUE, COMBUSTIBLE |
| 10 | V353000231 | 3 | COLLAR | ESPACIADOR |
| 11 | 13211555930 | 1 | GROMMET | ANILLO DE GOMA |
| 12 | V471001880 | 1 | PIPE - 3X6X65 -- BLACK | TUBO - 3X6X65 -- NEGRO |
| 13 | 43741119830 | 1 | CLIP - 6.6 | GANCHO - 6.6 |
| 14 | A356000031 | 1 | VENT, FUEL TANK | RESPIRADERO, TANQUE DE COMBUSTIBLE |
| 15 | 13201040830 | 1 | PIPE - 3X6X75 -- CLEAR | TUBO - 3X6X75 -- TRANSPARENTE |
| 16 | 13011054430 | 1 | PIPE - 3X6X105 -- BLACK | TUBO - 3X6X105 -- NEGRO |
| 17 | 13201309820 | 1 | CLIP - 6 | GANCHO - 6 |
| 18 | V186000140 | 1 | CONNECTOR, PIPE | CONECTOR, TUBO |
| 19 | V490001230 | 1 | CLIP - 6.5 | GANCHO - 6.5 |
| 20 | 13201212361 | 1 | PIPE, FUEL - CORRUGATED | TUBO, COMBUSTIBLE - CORRUGADO |
| 21 | 13120507320 | 1 | FILTER, FUEL | FILTRO DE COMBUSTIBLE |
| 22 | 9111005016 | 1 | SCREW - 5X16 | TORNILLO - 5X16 |
| 23 | C152000410 | 1 | TERMINAL - GROUND | TERMINAL - DE TIERRA |
| 24 | A127000170 | 1 | GUARD, DEBRIS | PROTECTOR, RESIDUOS |
| 25 | 90008 | | RePower FILTER KIT | KIT DE FILTRACIÓN |
| 26 | 90010 | | Repower CAP AND VENT KIT | KIT DE TAPA Y RESPIRADERO |
| 27 | 90074 | | RePower TUNE-UP KIT | KIT DE PUESTA A PUNTO |
| 27 | 90074C | | RePower TUNE-UP KIT | KIT DE PUESTA A PUNTO |

Cortaseto

Fuel System, Debris Guard

Sistema de Combustible, Lubricador Automático

S/N: S68011002897 - S68011999999

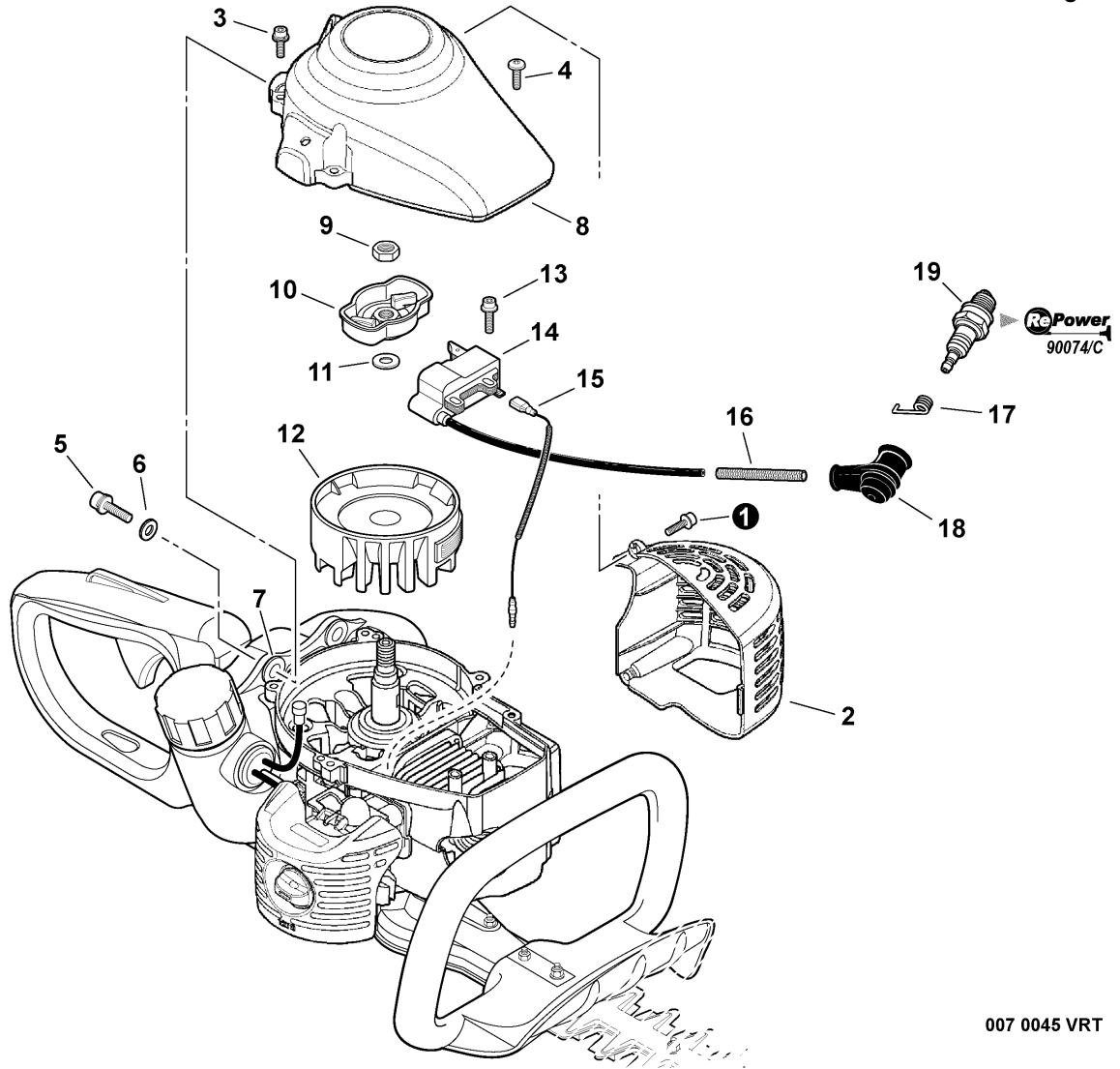


002 0065 LP0

| | | | | |
|----|--------------|---|-------------------------------|------------------------------------|
| ① | P021040430 | 1 | CAP ASSY | CONJUNTO DE TAPA |
| 2 | + V107000150 | 1 | GASKET, CAP | JUNTA, TAPA |
| 3 | + A365000060 | 1 | CONNECTOR, CAP | CONECTOR, TAPA |
| 4 | 90022005045 | 2 | SCREW - 5X45 | TORNILLO - 5X45 |
| 5 | 90056000005 | 2 | LOCKNUT - 5 | CONTRATUERCA - 5 |
| 6 | 90060000005 | 4 | WASHER - 5 | ARANDELA - 5 |
| 7 | 90016205020 | 3 | SCREW - 5X20 | TORNILLO - 5X20 |
| 8 | 90060300005 | 3 | WASHER - 5 | ARANDELA - 5 |
| 9 | A350000810 | 1 | TANK, FUEL | TANQUE, COMBUSTIBLE |
| 10 | V353000231 | 3 | COLLAR | ESPACIADOR |
| 11 | V471003670 | 1 | PIPE, UPPER - 3X5X61 -- BLACK | PIPE, UPPER - 3X5X61 -- BLACK |
| 12 | 13201040830 | 1 | PIPE - 3X6X75 -- CLEAR | TUBO - 3X6X75 -- TRANSPARENTE |
| 13 | A356000031 | 1 | VENT, FUEL TANK | RESPIRADERO, TANQUE DE COMBUSTIBLE |
| 14 | V490001240 | 1 | CLIP - 6 | GANCHO - 6 |
| 15 | V471003680 | 1 | PIPE - 3X6X50 -- BLACK | TUBO - 3X6X50 -- NEGRO |
| 16 | 13120507320 | 1 | FILTER, FUEL | FILTRO DE COMBUSTIBLE |
| 17 | 43741119830 | 1 | CLIP - 6.6 | GANCHO - 6.6 |
| 18 | 13201212361 | 1 | PIPE, FUEL - CORRUGATED | TUBO, COMBUSTIBLE - CORRUGADO |
| 19 | V491001230 | 1 | CLIP - 6.5 | GANCHO - 6.5 |
| 20 | V186000510 | 1 | CONNECTOR, PIPE | CONECTOR, TUBO |
| 21 | V491001230 | 1 | CLIP - 6.5 | GANCHO - 6.5 |
| 22 | V471001180 | 1 | PIPE - 3X6X35 -- BLACK | TUBO - 3X6X35 -- NEGRO |
| 23 | V186000520 | 1 | CONNECTOR, FUEL PIPE | CONECTOR, TUBO DE COMBUSTIBLE |
| 24 | 13211555930 | 1 | GROMMET | ANILLO DE GOMA |
| 25 | 9111005016 | 1 | SCREW - 5X16 | TORNILLO - 5X16 |
| 26 | C152000410 | 1 | TERMINAL - GROUND | TERMINAL - DE TIERRA |
| 27 | A127000170 | 1 | GUARD, DEBRIS | PROTECTOR, RESIDUOS |
| 28 | 90008 | | RePower FILTER KIT | KIT DE FILTRACIÓN |
| 29 | 90074 | | RePower TUNE-UP KIT | KIT DE PUESTA A PUNTO |
| 29 | 90074C | | RePower TUNE-UP KIT | KIT DE PUESTA A PUNTO |
| 30 | 90136BP | | RePower FUEL SYSTEM KIT | KIT DEL SISTEMA DE CARBURANTE |

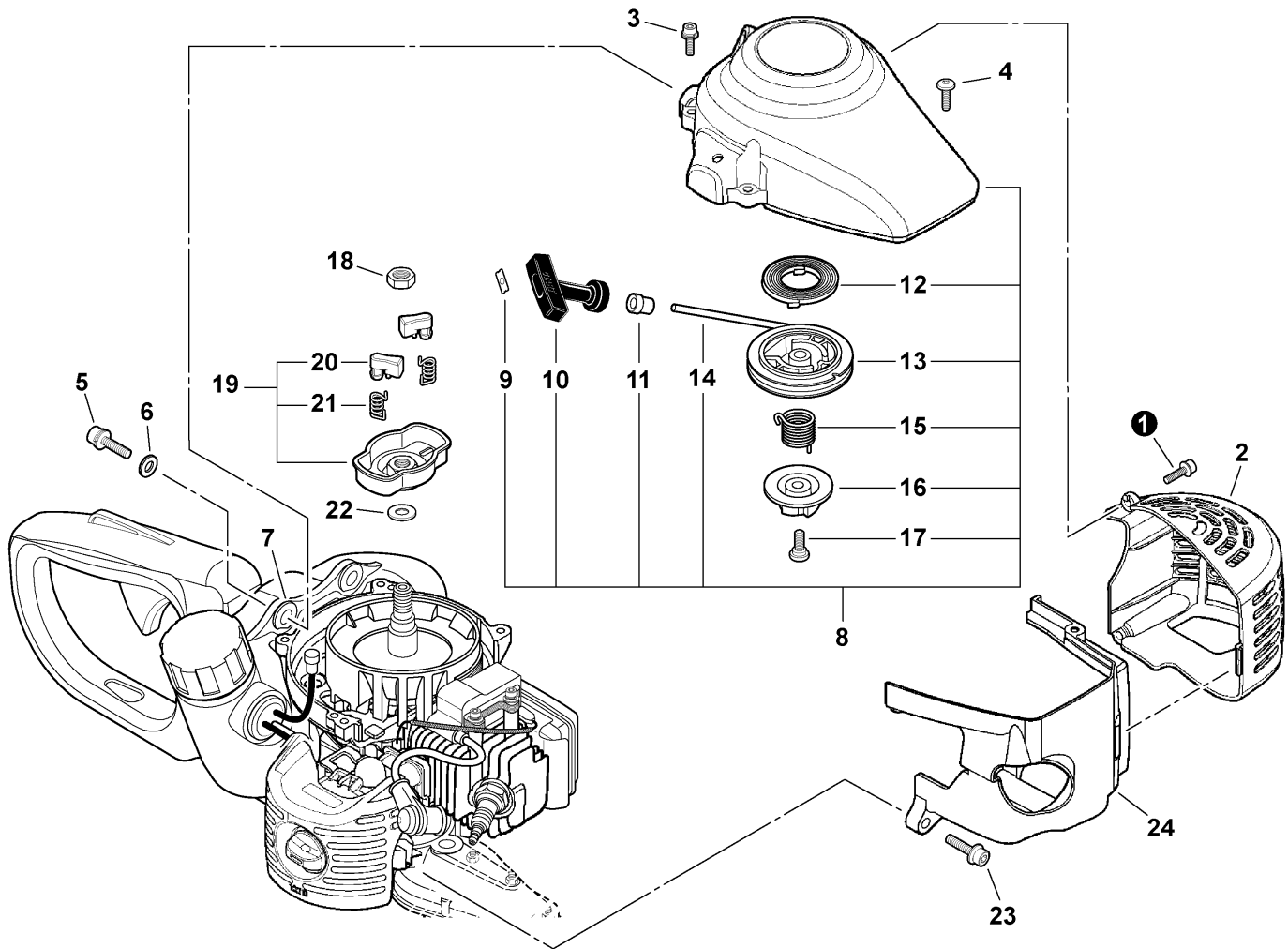
Cortaseto

Ignition
Ignición



007 0045 VRT

| | | | | |
|----|-------------|---|--------------------------|--------------------------------------|
| ① | 9111005016 | 2 | SCREW - 5X16 | TORNILLO - 5X16 |
| 2 | A320000430 | 1 | COVER, EXHAUST | CUBIERTA, ESCAPE |
| 3 | 90016304016 | 4 | SCREW - 4X16 | TORNILLO - 4X16 |
| 4 | V202000030 | 1 | SCREW - 4 | TORNILLO - 4 |
| 5 | 90016205020 | 2 | SCREW - 5X20 | TORNILLO - 5X20 |
| 6 | 90060300005 | 2 | WASHER - 5 | ARANDELA - 5 |
| 7 | V353000231 | 3 | COLLAR | ESPACIADOR |
| 8 | A051001110 | 1 | STARTER ASSY | CONJUNTO DE ARRANCADOR |
| 9 | 90051200008 | 1 | NUT - LEFT HAND | TUERCA - ROSCA IZQUIERDA |
| 10 | A052000210 | 1 | STARTER PAWL ASSY | CONJUNTO DE TRINQUETE DEL ARRANCADOR |
| 11 | 90060000008 | 1 | WASHER - 8 | ARANDELA - 8 |
| 12 | A409000210 | 1 | FLYWHEEL | VOLANTE |
| 13 | 9111304020 | 2 | SCREW - 4X20 | TORNILLO - 4X20 |
| 14 | A411000130 | 1 | COIL, IGNITION | BOBINA, IGNICIÓN |
| 15 | V485000870 | 1 | LEAD - IGNITION | CABLE - IGNICIÓN |
| 16 | V475001610 | 1 | TUBE, INSULATOR | TUBO, AISLANTE |
| 17 | A426000010 | 1 | TERMINAL, SPARK PLUG CAP | TERMINAL, CAPUCHÓN DE BUJÍA |
| 18 | A427000013 | 1 | CAP, SPARK PLUG | TAPA, BUJÍA |
| 19 | 15901019830 | 1 | SPARK PLUG -- BPM-8Y | BUJÍA -- BPM-8Y |
| 19 | A425000000 | 1 | SPARK PLUG -- BPMR-8Y | BUJÍA -- BPMR-8Y |
| 20 | 90074 | | RePower TUNE-UP KIT | KIT DE PUESTA A PUNTO |
| 20 | 90074C | | RePower TUNE-UP KIT | KIT DE PUESTA A PUNTO |

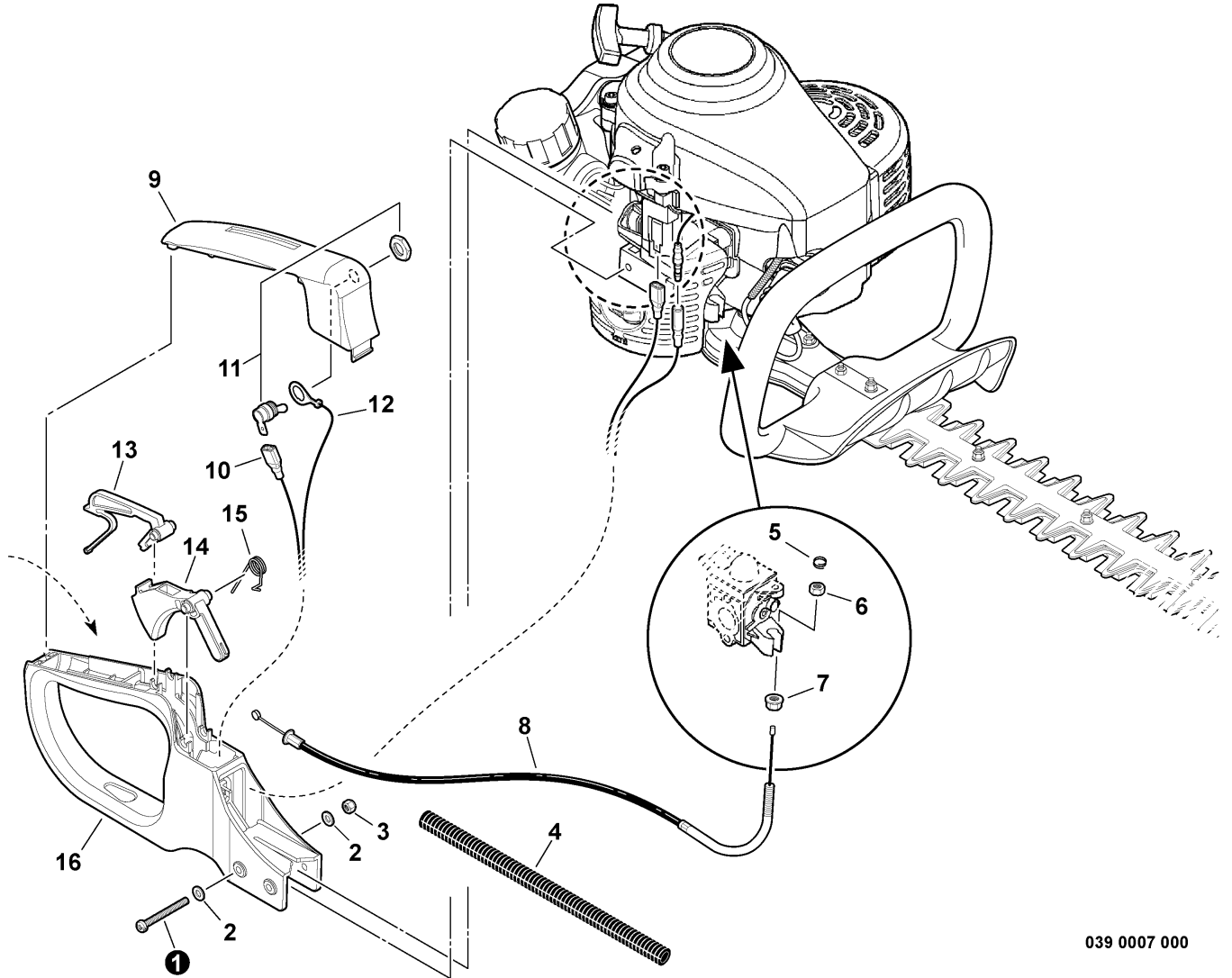


004 0045 VRT

| | | | | |
|----|---------------|---|-----------------------|--------------------------------------|
| 1 | 9111005016 | 2 | SCREW - 5X16 | TORNILLO - 5X16 |
| 2 | A320000430 | 1 | COVER, EXHAUST | CUBIERTA, ESCAPE |
| 3 | 90016304016 | 4 | SCREW - 4X16 | TORNILLO - 4X16 |
| 4 | V202000030 | 1 | SCREW - 4 | TORNILLO - 4 |
| 5 | 90016205020 | 2 | SCREW - 5X20 | TORNILLO - 5X20 |
| 6 | 90060300005 | 2 | WASHER - 5 | ARANDELA - 5 |
| 7 | V353000231 | 3 | COLLAR | ESPACIADOR |
| 8 | A051001110 | 1 | STARTER ASSY | CONJUNTO DE ARRANCADOR |
| 9 | + 17724611120 | 1 | RETAINER, ROPE | RETÉN, CUERDA |
| 10 | + 17722827030 | 1 | GRIP, STARTER | AGARRE, ARRANCADOR |
| 11 | + 17722742030 | 1 | GUIDE, ROPE | GUÍA, CUERDA |
| 12 | + 17722042030 | 1 | SPRING, REWIND | RESORTE, REBOBINADO |
| 13 | + P022006830 | 1 | REEL, ROPE | CARRETE, CUERDA |
| 14 | + P022008260 | 1 | ROPE, STARTER - 3X700 | CUERDA, ARRANCADOR - 3X700 |
| 15 | + V452000150 | 1 | SPRING | RESORTE |
| 16 | + A507000030 | 1 | CATCHER, PAWL | ATRAPADOR, TRINQUETE |
| 17 | + 17723661830 | 1 | SCREW | TORNILLO |
| 18 | 90051200008 | 1 | NUT - LEFT HAND | TUERCA - ROSCA IZQUIERDA |
| 19 | A052000210 | 1 | STARTER PAWL ASSY | CONJUNTO DE TRINQUETE DEL ARRANCADOR |
| 20 | + P022020030 | 2 | PAWL, STARTER | TRINQUETE, ARRANCADOR |
| 21 | + P022007980 | 2 | SPRING, RETURN | RESORTE, RETORNO |
| 22 | 90060000008 | 1 | WASHER - 8 | ARANDELA - 8 |
| 23 | 9111005016 | 1 | SCREW - 5X16 | TORNILLO - 5X16 |
| 24 | A160000880 | 1 | COVER, ENGINE | CUBIERTA, MOTOR |

Cortaseto

Rear Handle, Ignition Switch, Throttle Cable
Mango Trasero, Interruptor del Encendido, Cable del Acelerador



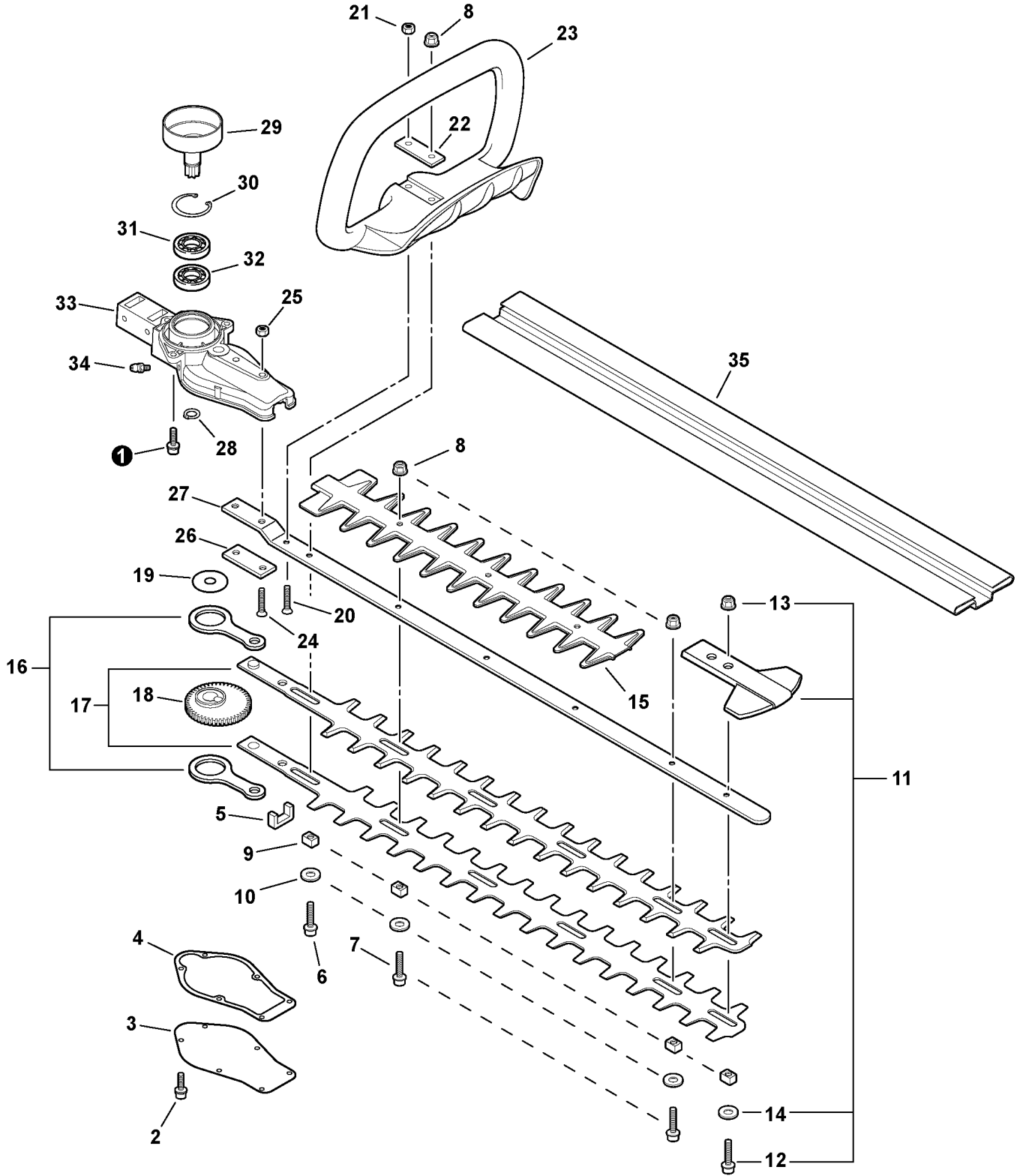
039 0007 000

| | | | | |
|----|-------------|---|-------------------------------|---------------------------------------|
| ① | 90022005045 | 2 | SCREW - 5X45 | TORNILLO - 5X45 |
| 2 | 90060000005 | 4 | WASHER - 5 | ARANDELA - 5 |
| 3 | 90056000005 | 2 | LOCKNUT - 5 | CONTRATUERCA - 5 |
| 4 | V475004150 | 1 | TUBE, PROTECTIVE - CORRUGATED | TUBO, PROTECTOR - CORRUGADA |
| 5 | V490001100 | 1 | CLIP | GANCHO |
| 6 | 90050200006 | 1 | NUT - 6 | TUERCA - 6 |
| 7 | 90051800006 | 1 | NUT - 6 -- FLANGE | TUERCA, DE BRIDA - 6 |
| 8 | V430002200 | 1 | CABLE, THROTTLE | CABLE, ACELERADOR |
| 9 | C411000030 | 1 | COVER, HANDLE | CUBIERTA, MANGO |
| 10 | V485001030 | 1 | LEAD - IGNITION | CABLE - IGNICIÓN |
| 11 | 16340003460 | 1 | IGNITION SWITCH ASSY | CONJUNTO DE INTERRUPTOR DEL ENCENDIDO |
| 12 | V485001110 | 1 | LEAD - GROUND | CABLE - DE TIERRA |
| 13 | C460000120 | 1 | LOCKOUT, THROTTLE | TRABADO, ACELERADOR |
| 14 | C450000330 | 1 | TRIGGER, THROTTLE | GATILLO, ACELERADOR |
| 15 | V452000390 | 1 | SPRING, TRIGGER | RESORTE, GATILLO |
| 16 | C410000920 | 1 | HANDLE - REAR | MANGO - TRASERO |

Cortaseto

Front Handle, Gear Case, Blades - 20" WITH Tip Guard

Mango Delantero, Caja de Angranajes, Cuchillas - 20" con el protector de la extremidad



036 0012 00D

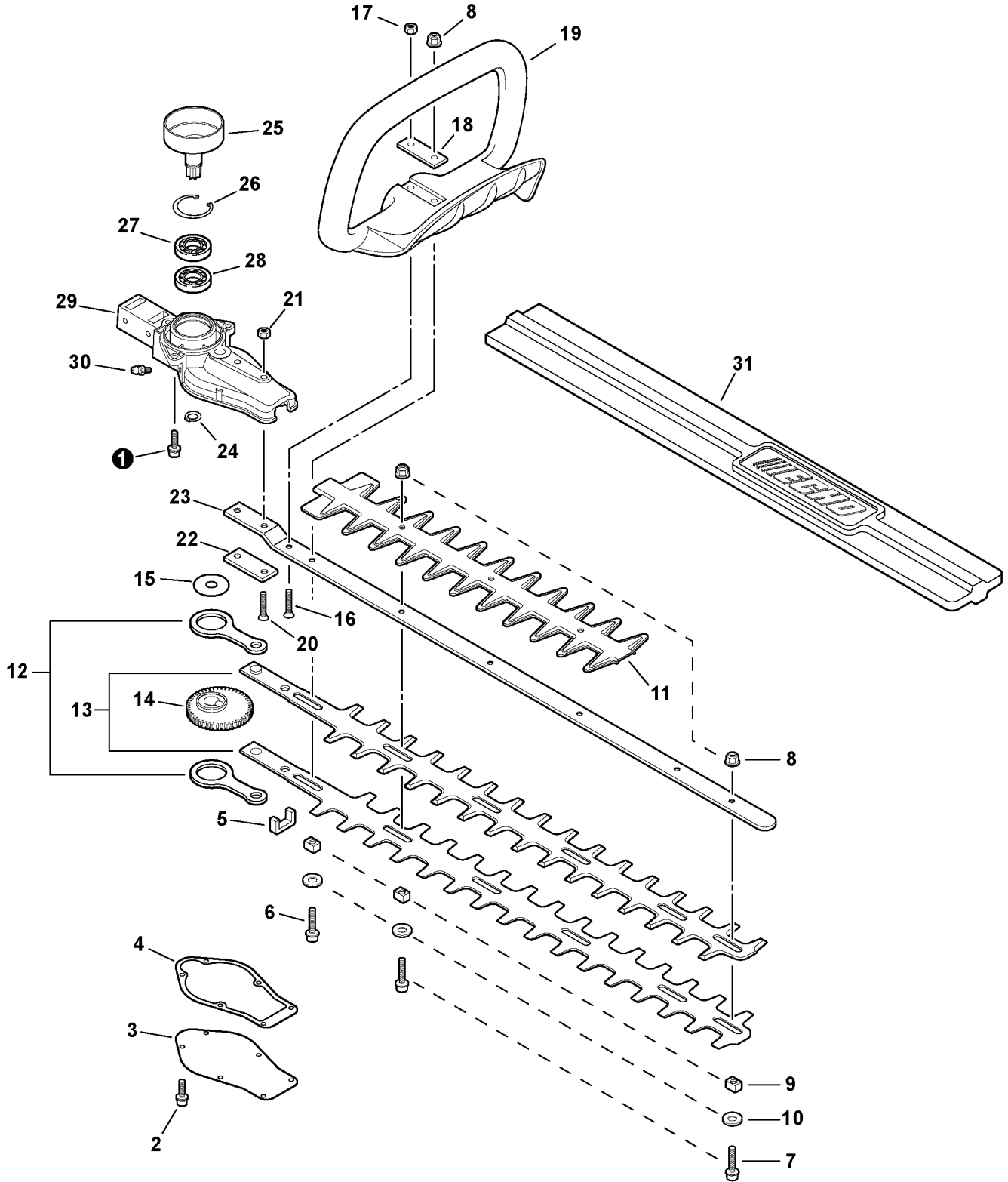
Cortaseto
Front Handle, Gear Case, Blades - 20" WITH Tip Guard
Mango Delantero, Caja de Angranajes, Cuchillas - 20" con el protector de la extremidad

| | | | | |
|----|---------------|---|---------------------------|------------------------------|
| ① | 90016205020 | 3 | SCREW - 5X20 | TORNILLO - 5X20 |
| 2 | 90016204010 | 6 | SCREW - 4X10 | TORNILLO - 4X10 |
| 3 | 61041105361 | 1 | LID, GEAR CASE | TAPA, CAJA DE ENGRANAJES |
| 4 | 61041405360 | 1 | GASKET, GEAR CASE | JUNTA, CAJA DE ENGRANAJES |
| 5 | 61042504560 | 1 | SEAL, FELT | SELLO, DE FELPA |
| 6 | 90016205040 | 1 | SCREW - 5X40 | TORNILLO - 5X40 |
| 7 | 90010605020 | 4 | SCREW - 5X20 | TORNILLO - 5X20 |
| 8 | 9210805000 | 5 | LOCKNUT - 5 | CONTRATUERCA - 5 |
| 9 | V353000250 | 6 | GUIDE, BLADE | GUÍA, CUCHILLA |
| 10 | 17721421860 | 5 | WASHER - 6 | ARANDELA - 6 |
| 11 | 99988802000 | 1 | TIP GUARD KIT | KIT DE PROTECTOR DE LA PUNTA |
| 12 | + 90010605020 | 1 | SCREW - 5X20 | TORNILLO - 5X20 |
| 13 | + 9210805000 | 1 | LOCKNUT - 5 | CONTRATUERCA - 5 |
| 14 | + 17721421860 | 1 | WASHER - 6 | ARANDELA - 6 |
| 15 | X431000050 | 1 | PROTECTOR, BLADE | PROTECTOR, CUCHILLA |
| 16 | C532000120 | 2 | ROD, CONNECTING | BIELA |
| 17 | X411000700 | 2 | BLADE, TRIMMER - 20" | CUCHILLA, RECORTADORA - 20" |
| 18 | 61031204560 | 1 | GEAR - DRIVE | ENGRANAJE - DE MANDO |
| 19 | 61035004560 | 1 | WASHER | ARANDELA |
| 20 | 90021205030 | 1 | SCREW - 5X30 | TORNILLO - 5X30 |
| 21 | 90056000005 | 1 | LOCKNUT - 5 | CONTRATUERCA - 5 |
| 22 | 35161105360 | 1 | PLATE | PLACA |
| 23 | C400000531 | 2 | HANDLE - FRONT | MANGO - DELANTERO |
| 24 | 90021206025 | 2 | SCREW - 6X25 | TORNILLO - 6X25 |
| 25 | 90050000006 | 2 | LOCKNUT - 6 | CONTRATUERCA - 6 |
| 26 | 61044004560 | 1 | GUIDE | GUÍA |
| 27 | X425000470 | 1 | SUPPORT, BLADE | SOPORTE, CUCHILLA |
| 28 | 90070100014 | 1 | RING, RETAINING - 14 | ANILLO, RETÉN - 14 |
| 29 | 17500504560 | 1 | DRUM, CLUTCH | TAMBOR, EMBRAGUE |
| 30 | 90070200035 | 1 | RING, RETAINING - 35 | ANILLO, RETÉN - 35 |
| 31 | 90081336202 | 1 | BEARING, BALL - 6202 | COJINETE DE BOLAS - 6202DDU |
| 32 | 90081036202 | 1 | BEARING, BALL - 6202 | COJINETE DE BOLAS - 6202DDU |
| 33 | 61040705361 | 1 | CASE, GEAR | CARCASA, ENGRANAJES |
| 34 | 88011010860 | 1 | FITTING, GREASE | GRASERA |
| 31 | X495000480 | 1 | COVER, BLADE - 20" (50cm) | CUBIERTA, CUCHILLA - 20" |

Cortaseto

Front Handle, Gear Case, Blades - 20" WITHOUT Tip Guard

Mango Delantero, Caja de Angrandajes, Cuchillas - 20" sin protector de la extremidad



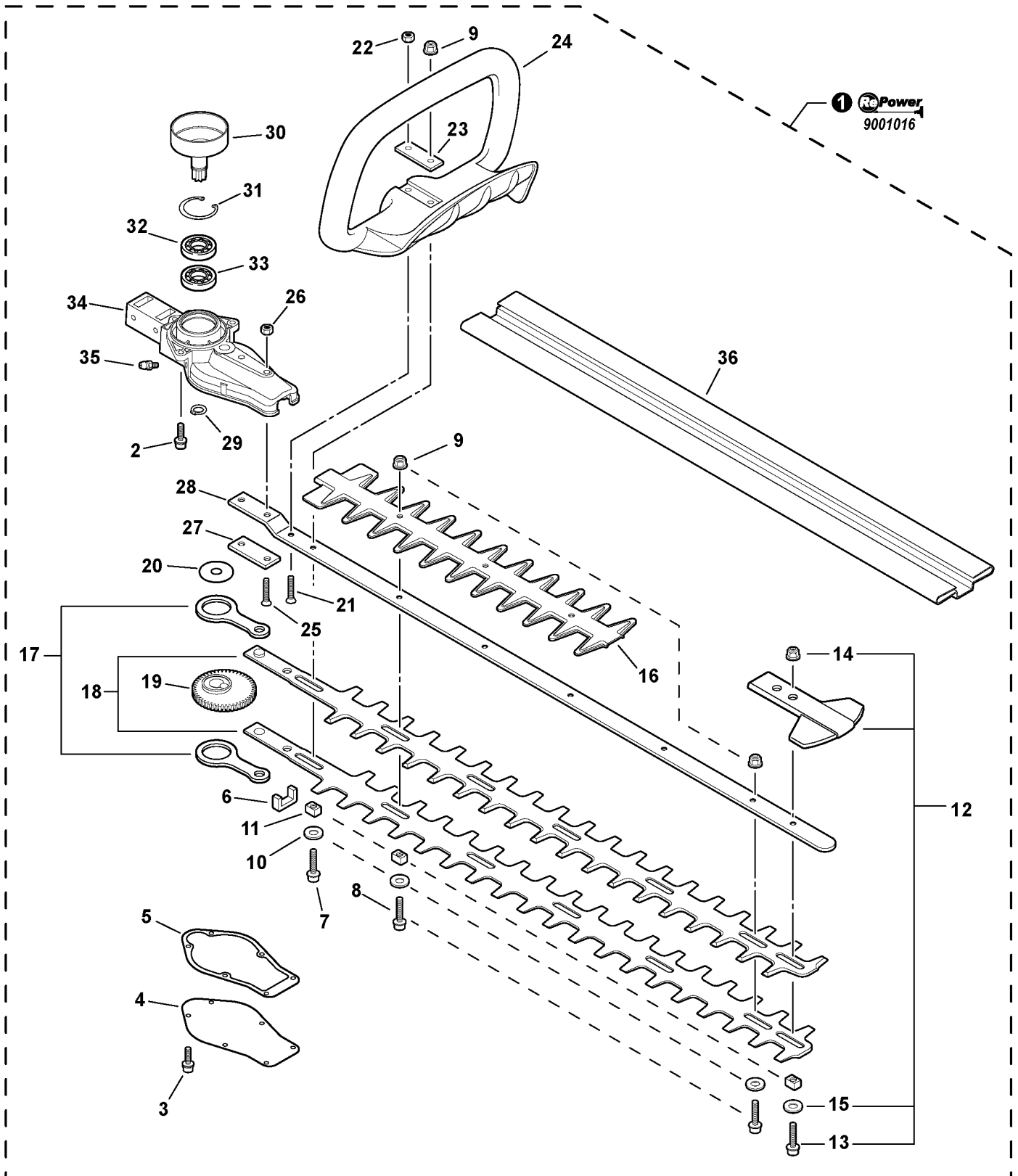
Cortaseto
**Front Handle, Gear Case, Blades - 20" WITHOUT Tip Guard
Mango Delantero, Caja de Angranajes, Cuchillas - 20" sin protector de la extremidad**

| | | | | |
|----|-------------|---|---------------------------|-----------------------------|
| 1 | 90016205020 | 3 | SCREW - 5X20 | TORNILLO - 5X20 |
| 2 | 90016204010 | 6 | SCREW - 4X10 | TORNILLO - 4X10 |
| 3 | 61041105361 | 1 | LID, GEAR CASE | TAPA, CAJA DE ENGRANAJES |
| 4 | 61041405360 | 1 | GASKET, GEAR CASE | JUNTA, CAJA DE ENGRANAJES |
| 5 | 61042504560 | 1 | SEAL, FELT | SELLO, DE FELPA |
| 6 | 90016205040 | 1 | SCREW - 5X40 | TORNILLO - 5X40 |
| 7 | 90010605020 | 5 | SCREW - 5X20 | TORNILLO - 5X20 |
| 8 | 9210805000 | 6 | LOCKNUT - 5 | CONTRATUERCA - 5 |
| 9 | V353000250 | 6 | GUIDE, BLADE | GUÍA, CUCHILLA |
| 10 | 17721421860 | 6 | WASHER - 6 | ARANDELA - 6 |
| 11 | X431000050 | 1 | PROTECTOR, BLADE | PROTECTOR, CUCHILLA |
| 12 | C532000120 | 2 | ROD, CONNECTING | BIELA |
| 13 | X411000700 | 2 | BLADE, TRIMMER - 20" | CUCHILLA, RECORTADORA - 20" |
| 14 | 61031204560 | 1 | GEAR - DRIVE | ENGRANAJE - DE MANDO |
| 15 | 61035004560 | 1 | WASHER | ARANDELA |
| 16 | 90021205030 | 1 | SCREW - 5X30 | TORNILLO - 5X30 |
| 17 | 90056000005 | 1 | LOCKNUT - 5 | CONTRATUERCA - 5 |
| 18 | 35161105360 | 1 | PLATE | PLACA |
| 19 | C400000531 | 2 | HANDLE - FRONT | MANGO - DELANTERO |
| 20 | 90021206025 | 2 | SCREW - 6X25 | TORNILLO - 6X25 |
| 21 | 90050000006 | 2 | LOCKNUT - 6 | CONTRATUERCA - 6 |
| 22 | 61044004560 | 1 | GUIDE | GUÍA |
| 23 | X425000470 | 1 | SUPPORT, BLADE | SOPORTE, CUCHILLA |
| 24 | 90070100014 | 1 | RING, RETAINING - 14 | ANILLO, RETÉN - 14 |
| 25 | 17500504560 | 1 | DRUM, CLUTCH | TAMBOR, EMBRAGUE |
| 26 | 90070200035 | 1 | RING, RETAINING - 35 | ANILLO, RETÉN - 35 |
| 27 | 90081336202 | 1 | BEARING, BALL - 6202 | COJINETE DE BOLAS - 6202DDU |
| 28 | 90081036202 | 1 | BEARING, BALL - 6202 | COJINETE DE BOLAS - 6202DDU |
| 29 | 61040705361 | 1 | CASE, GEAR | CARCASA, ENGRANAJES |
| 30 | 88011010860 | 1 | FITTING, GREASE | GRASERA |
| 31 | X495000210 | 1 | COVER, BLADE - 20" (50cm) | CUBIERTA, CUCHILLA - 20" |

Cortaseto

Front Handle, Gear Case, Blades - 24" WITH Tip Guard

Mango Delantero, Caja de Angranajes, Cuchillas - 24" con el protector de la extremidad



036 0012 00C

Cortaseto

Front Handle, Gear Case, Blades - 24" WITH Tip Guard

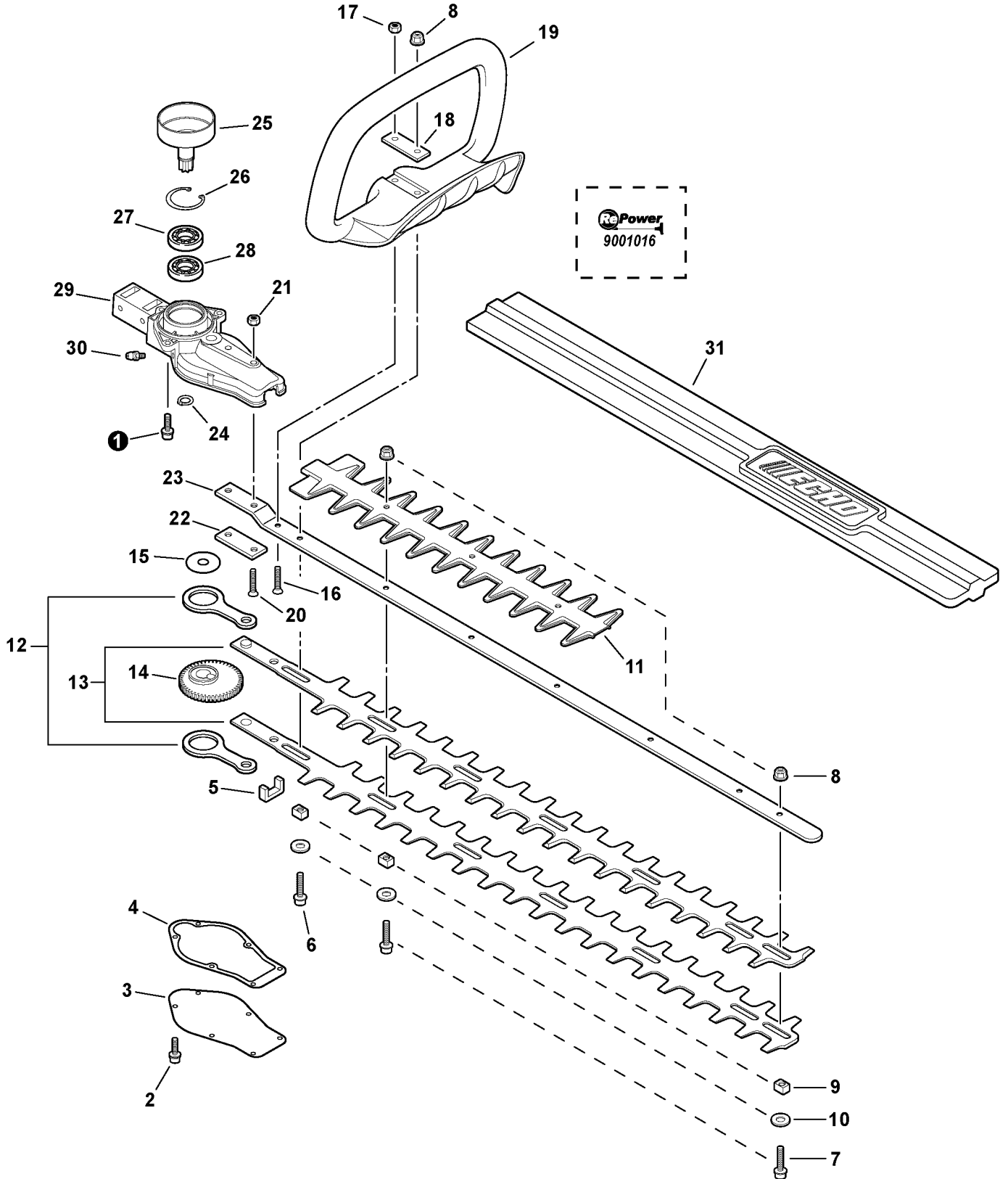
Mango Delantero, Caja de Angranajes, Cuchillas - 24" con el protector de la extremidad

| | | | | |
|----|---------------|---|------------------------------|--|
| ① | 9001016 | 1 | RePower GEAR CASE/BLADES KIT | CONJUNTO DE CAJA DE ENGRANAJES/CUCHILLAS |
| 2 | + 90016205020 | 3 | SCREW - 5X20 | TORNILLO - 5X20 |
| 3 | + 90016204010 | 6 | SCREW - 4X10 | TORNILLO - 4X10 |
| 4 | + 61041105361 | 1 | LID, GEAR CASE | TAPA, CAJA DE ENGRANAJES |
| 5 | + 61041405360 | 1 | GASKET, GEAR CASE | JUNTA, CAJA DE ENGRANAJES |
| 6 | + 61042504560 | 1 | SEAL, FELT | SELLO, DE FELPA |
| 7 | + 90016205040 | 1 | SCREW - 5X40 | TORNILLO - 5X40 |
| 8 | + 90010605020 | 5 | SCREW - 5X20 | TORNILLO - 5X20 |
| 9 | + 9210805000 | 6 | LOCKNUT - 5 | CONTRATUERCA - 5 |
| 10 | + V353000250 | 7 | GUIDE, BLADE | GUÍA, CUCHILLA |
| 11 | + 17721421860 | 6 | WASHER - 6 | ARANDELA - 6 |
| 12 | + 99988802000 | 1 | TIP GUARD KIT | KIT DE PROTECTOR DE LA PUNTA |
| 13 | + 90010605020 | 1 | SCREW - 5X20 | TORNILLO - 5X20 |
| 14 | + 9210805000 | 1 | LOCKNUT - 5 | CONTRATUERCA - 5 |
| 15 | + 17721421860 | 1 | WASHER - 6 | ARANDELA - 6 |
| 16 | + X431000050 | 1 | PROTECTOR, BLADE | PROTECTOR, CUCHILLA |
| 17 | + C532000120 | 2 | ROD, CONNECTING | BIELA |
| 18 | + X411000760 | 2 | BLADE, TRIMMER - 24" | CUCHILLA, RECORTADORA - 24" |
| 19 | + 61031204560 | 1 | GEAR - DRIVE | ENGRANAJE - DE MANDO |
| 20 | + 61035004560 | 1 | WASHER | ARANDELA |
| 21 | + 90021205030 | 1 | SCREW - 5X30 | TORNILLO - 5X30 |
| 22 | + 90056000005 | 1 | LOCKNUT - 5 | CONTRATUERCA - 5 |
| 23 | + 35161105360 | 1 | PLATE | PLACA |
| 24 | + C400000531 | 2 | HANDLE - FRONT | MANGO - DELANTERO |
| 25 | + 90021206025 | 2 | SCREW - 6X25 | TORNILLO - 6X25 |
| 26 | + 90050000006 | 2 | LOCKNUT - 6 | CONTRATUERCA - 6 |
| 27 | + 61044004560 | 1 | GUIDE | GUÍA |
| 28 | + X425000490 | 1 | SUPPORT, BLADE | SOPORTE, CUCHILLA |
| 29 | + 90070100014 | 1 | RING, RETAINING - 14 | ANILLO, RETÉN - 14 |
| 30 | + 17500504560 | 1 | DRUM, CLUTCH | TAMBOR, EMBRAGUE |
| 31 | + 90070200035 | 1 | RING, RETAINING - 35 | ANILLO, RETÉN - 35 |
| 32 | + 90081336202 | 1 | BEARING, BALL - 6202 | COJINETE DE BOLAS - 6202DDU |
| 33 | + 90081036202 | 1 | BEARING, BALL - 6202 | COJINETE DE BOLAS - 6202DDU |
| 34 | + 61040705361 | 1 | CASE, GEAR | CARCASA, ENGRANAJES |
| 35 | + 88011010860 | 1 | FITTING, GREASE | GRASERA |
| 36 | + X495000490 | 1 | COVER, BLADE - 24" (60cm) | CUBIERTA, CUCHILLA - 24" (60cm) |

Cortaseto

Front Handle, Gear Case, Blades - 24" WITHOUT Tip Guard

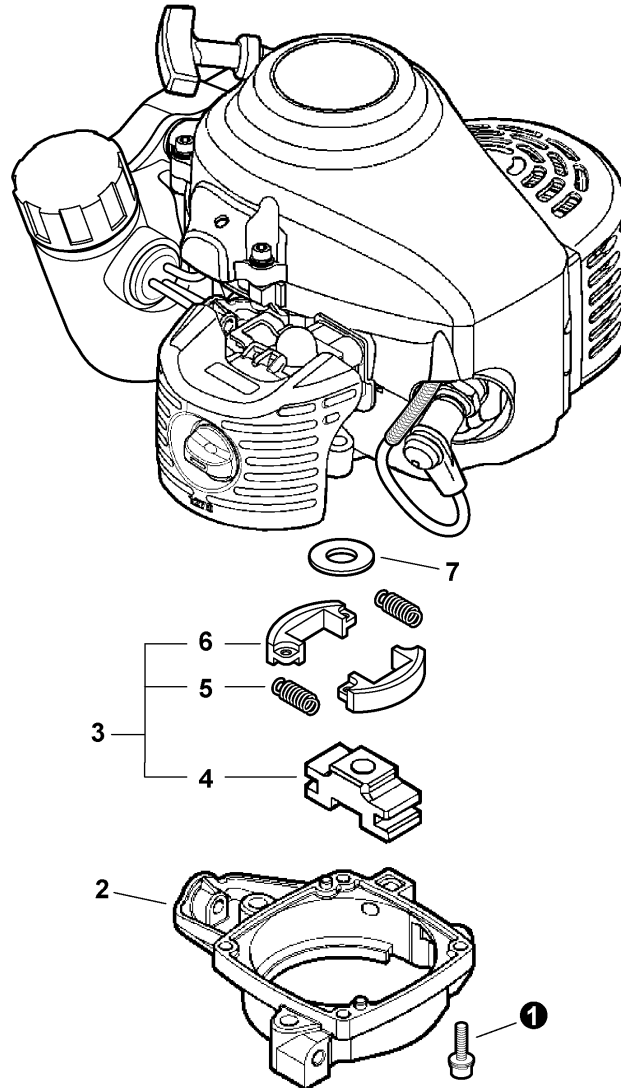
Mango Delantero, Caja de Angranajes, Cuchillas - 24" sin protector de la extremidad



036 0012 00B

Cortaseto
**Front Handle, Gear Case, Blades - 24" WITHOUT Tip Guard
Mango Delantero, Caja de Angranajes, Cuchillas - 24" sin protector de la extremidad**

| | | | | |
|----|-------------|---|------------------------------|--|
| 1 | 90016205020 | 3 | SCREW - 5X20 | TORNILLO - 5X20 |
| 2 | 90016204010 | 6 | SCREW - 4X10 | TORNILLO - 4X10 |
| 3 | 61041105361 | 1 | LID, GEAR CASE | TAPA, CAJA DE ENGRANAJES |
| 4 | 61041405360 | 1 | GASKET, GEAR CASE | JUNTA, CAJA DE ENGRANAJES |
| 5 | 61042504560 | 1 | SEAL, FELT | SELLO, DE FELPA |
| 6 | 90016205040 | 1 | SCREW - 5X40 | TORNILLO - 5X40 |
| 7 | 90010605020 | 6 | SCREW - 5X20 | TORNILLO - 5X20 |
| 8 | 9210805000 | 7 | LOCKNUT - 5 | CONTRATUERCA - 5 |
| 9 | V353000250 | 7 | GUIDE, BLADE | GUÍA, CUCHILLA |
| 10 | 17721421860 | 7 | WASHER - 6 | ARANDELA - 6 |
| 11 | X431000050 | 1 | PROTECTOR, BLADE | PROTECTOR, CUCHILLA |
| 12 | C532000120 | 2 | ROD, CONNECTING | BIELA |
| 13 | X411000760 | 2 | BLADE, TRIMMER - 24" | CUCHILLA, RECORTADORA - 24" |
| 14 | 61031204560 | 1 | GEAR - DRIVE | ENGRANAJE - DE MANDO |
| 15 | 61035004560 | 1 | WASHER | ARANDELA |
| 16 | 90021205030 | 1 | SCREW - 5X30 | TORNILLO - 5X30 |
| 17 | 90056000005 | 1 | LOCKNUT - 5 | CONTRATUERCA - 5 |
| 18 | 35161105360 | 1 | PLATE | PLACA |
| 19 | C400000531 | 2 | HANDLE - FRONT | MANGO - DELANTERO |
| 20 | 90021206025 | 2 | SCREW - 6X25 | TORNILLO - 6X25 |
| 21 | 90050000006 | 2 | LOCKNUT - 6 | CONTRATUERCA - 6 |
| 22 | 61044004560 | 1 | GUIDE | GUÍA |
| 23 | X425000490 | 1 | SUPPORT, BLADE | SOPORTE, CUCHILLA |
| 24 | 90070100014 | 1 | RING, RETAINING - 14 | ANILLO, RETÉN - 14 |
| 25 | 17500504560 | 1 | DRUM, CLUTCH | TAMBOR, EMBRAGUE |
| 26 | 90070200035 | 1 | RING, RETAINING - 35 | ANILLO, RETÉN - 35 |
| 27 | 90081336202 | 1 | BEARING, BALL - 6202 | COJINETE DE BOLAS - 6202DDU |
| 28 | 90081036202 | 1 | BEARING, BALL - 6202 | COJINETE DE BOLAS - 6202DDU |
| 29 | 61040705361 | 1 | CASE, GEAR | CARCASA, ENGRANAJES |
| 30 | 88011010860 | 1 | FITTING, GREASE | GRASERA |
| 31 | X495000180 | 1 | COVER, BLADE - 24" (60cm) | CUBIERTA, CUCHILLA - 24" (60cm) |
| 32 | 9001016 | 1 | RePower GEAR CASE/BLADES KIT | CONJUNTO DE CAJA DE ENGRANAJES/CUCHILLAS |

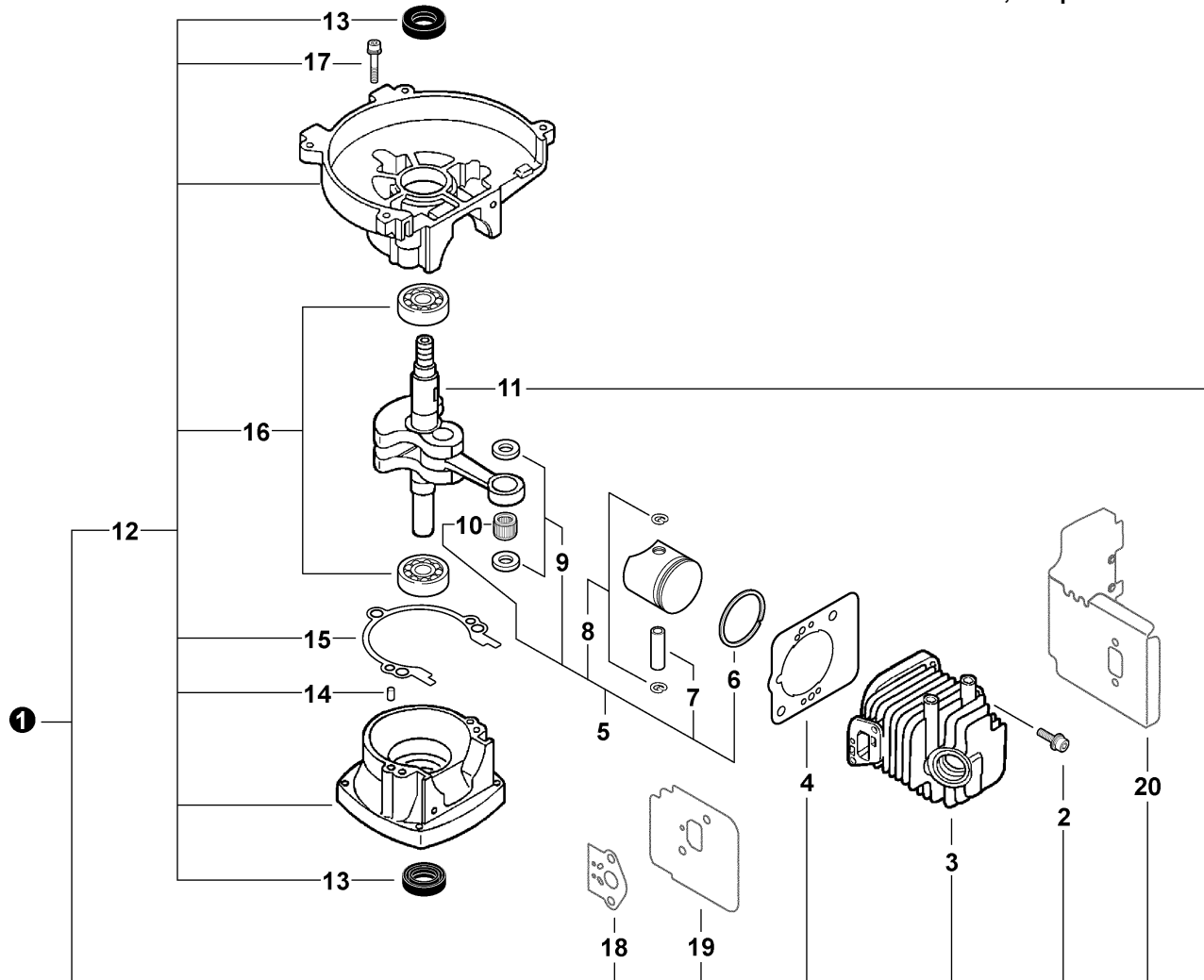


009 0011 VRT

| | | | | |
|---|---------------|---|----------------|----------------------|
| ① | 90016304016 | 4 | SCREW - 4X16 | TORNILLO - 4X16 |
| 2 | A570000160 | 1 | CASE, CLUTCH | CARCASA, EMBRAGUE |
| 3 | A056000190 | 1 | CLUTCH ASSY | CONJUNTO DE EMBRAGUE |
| 4 | + A552000080 | 1 | HUB, CLUTCH | CUBO, EMBRAGUE |
| 5 | + A566000000 | 2 | SPRING, CLUTCH | RESORTE, EMBRAGUE |
| 6 | + 17501744331 | 2 | SHOE, CLUTCH | ZAPATA, EMBRAGUE |
| 7 | 61035012360 | 1 | WASHER - 8 | ARANDELA - 8 |

Cortaseto

Engine, Short Block -- SB1075
Motor, Bloque Corto -- SB1075

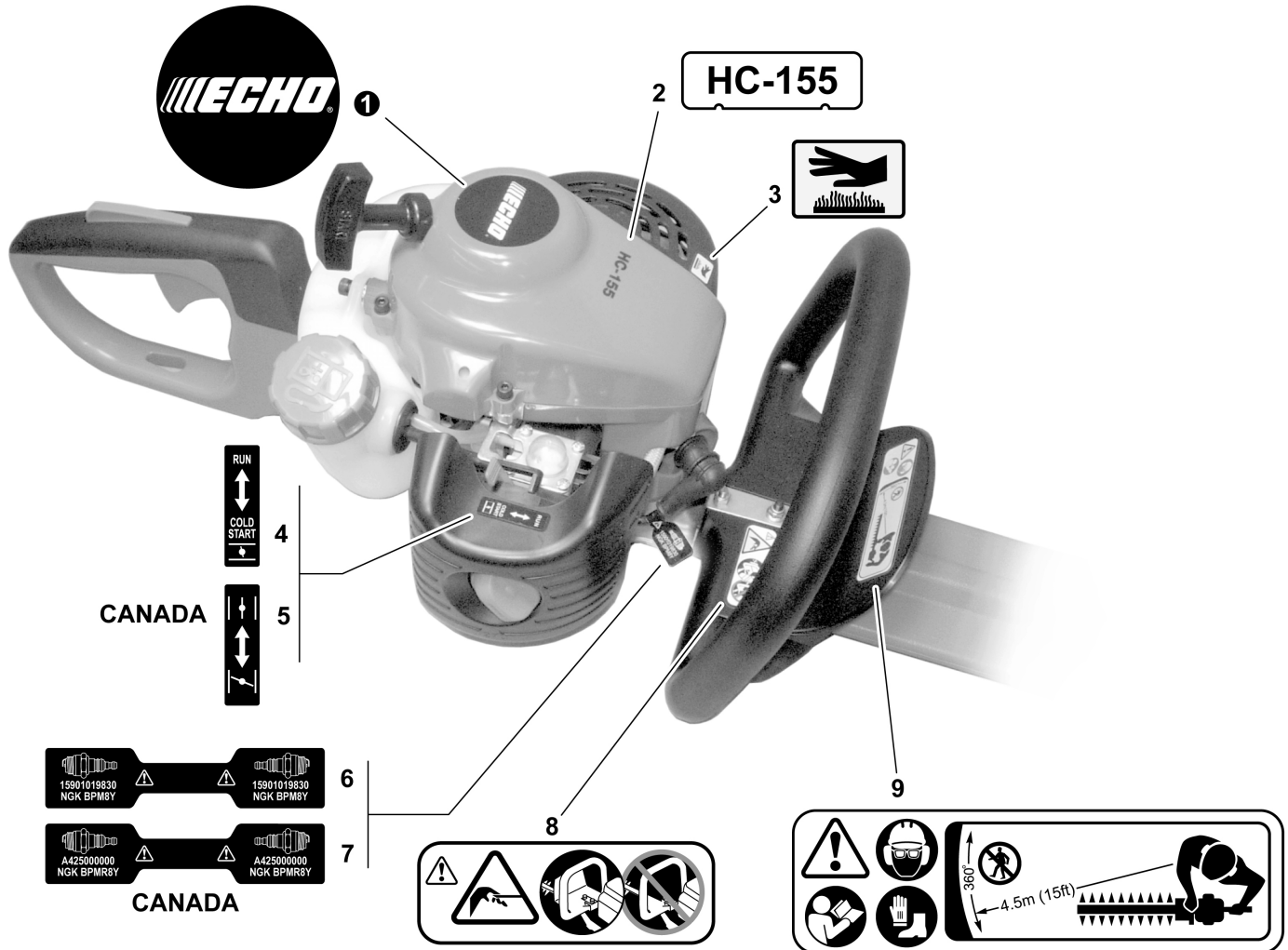


SB1075 0000 000

| | | | | |
|----|---------------|---|-----------------------|--------------------------|
| ① | SB1075 | 1 | SHORT BLOCK -- SB1075 | BLOQUE CORTO -- SB1075 |
| 2 | + 90016205022 | 2 | SCREW - 5X22 | TORNILLO - 5X25 |
| 3 | + A130000550 | 1 | CYLINDER | CILINDRO |
| 4 | + V100000160 | 1 | GASKET, CYLINDER | JUNTA, CILINDRO |
| 5 | + P021007772 | 1 | PISTON KIT | KIT DE PISTÓN |
| 6 | + A101000090 | 1 | RING, PISTON | ANILLO, PISTÓN |
| 7 | + 10001311520 | 1 | PIN, PISTON | PASADOR, PISTÓN |
| 8 | + 10001504630 | 2 | RING, RETAINING | ANILLO, RETÉN |
| 9 | + 10001408960 | 2 | WASHER | ARANDELA |
| 10 | + 10011305930 | 1 | BEARING, NEEDLE - 8 | COJINETE, DE AGUJAS - 8 |
| 11 | + A011000223 | 1 | CRANKSHAFT ASSY | CONJUNTO DE CIGÜEÑAL |
| 12 | + 10020452132 | 1 | CRANKCASE KIT | KIT DE CÁRTER |
| 13 | + 10021242031 | 2 | SEAL, OIL | SELLO, ACEITE |
| 14 | + V622000020 | 2 | PIN, LOCATING | PIN, LOCATING |
| 15 | + 10024242030 | 1 | GASKET, CRANKCASE | JUNTA, CÁRTER |
| 16 | + 9403536201 | 2 | BEARING, BALL - 6201 | COJINETE DE BOLAS - 6201 |
| 17 | + 90016205028 | 3 | SCREW - 5X28 | TORNILLO - 5X28 |
| 18 | + ----- | 1 | SHIELD, EXHAUST | PROTECTOR, ESCAPE |
| 19 | + ----- | 1 | SHIELD, INTAKE | PROTECTOR, ADMISIÓN |
| 20 | + ----- | 1 | GASKET, INTAKE | JUNTA, ADMISIÓN |

Cortaseto

Labels
Etiquetas



100 0098 000

| | | | | |
|---|-------------|---|-------------------------------|--------------------------------|
| 1 | X502000330 | 1 | LABEL - ECHO | ETIQUETA - ECHO |
| 2 | X503009220 | 1 | LABEL - MODEL -- HC-155 | ETIQUETA - MODELO -- HC-155 |
| 3 | X505002310 | 1 | LABEL - HOT SURFACE | ETIQUETA - SUPERFICIE CALIENTE |
| 4 | X506000110 | 1 | LABEL - CHOKE | ETIQUETA - AHOGADOR |
| 5 | 89033252730 | 1 | LABEL - CHOKE | ETIQUETA - AHOGADOR |
| 6 | X532000671 | 1 | LABEL - SPARK PLUG -- BPM-8Y | ETIQUETA - BUJÍA -- BPM-8Y |
| 7 | X532000720 | 1 | LABEL - SPARK PLUG -- BPMR-8Y | ETIQUETA - BUJÍA -- BPMR-8Y |
| 8 | X505000290 | 1 | LABEL - CAUTION | ETIQUETA - PRECAUCIÓN |
| 9 | X505002610 | 1 | LABEL - CAUTION | ETIQUETA - PRECAUCIÓN |

| | | | | |
|----------|-------------------|----------|---------------------------------|--------------------------------------|
| 1 | 90008 | 1 | RePower FILTER KIT | KIT DE FILTRACIÓN |
| 2 | + ----- | 1 | FILTER, AIR - DOUBLE LAYER | FILTRO DE AIRE - CAPA DOBLE |
| 3 | + ----- | 1 | FILTER, FUEL | FILTRO DE COMBUSTIBLE |
| 4 | 90010 | 1 | Repower CAP AND VENT KIT | KIT DE TAPA Y RESPIRADERO |
| 5 | + ----- | 1 | CAP | TAPA |
| 6 | + ----- | 1 | GASKET, CAP | JUNTA, TAPA |
| 7 | + ----- | 1 | VENT, FUEL TANK | RESPIRADERO, TANQUE DE COMBUSTIBLE |
| 8 | 90074 | 1 | RePower TUNE-UP KIT | KIT DE PUESTA A PUNTO |
| 9 | + ----- | 1 | FILTER, AIR - DOUBLE LAYER | FILTRO DE AIRE - CAPA DOBLE |
| 10 | + ----- | 1 | FILTER, FUEL | FILTRO DE COMBUSTIBLE |
| 11 | + ----- | 1 | SPARK PLUG -- BPM-8Y | BUJÍA -- BPM-8Y |
| 12 | + 90074C | 1 | RePower TUNE-UP KIT | KIT DE PUESTA A PUNTO |
| 13 | + ----- | 1 | FILTER, AIR - DOUBLE LAYER | FILTRO DE AIRE - CAPA DOBLE |
| 14 | + ----- | 1 | FILTER, FUEL | FILTRO DE COMBUSTIBLE |
| 15 | + ----- | 1 | SPARK PLUG -- BPMR-8Y | BUJÍA -- BPMR-8Y |
| 16 | 90136BP | 1 | RePower FUEL SYSTEM KIT | KIT DEL SISTEMA DE CARBURANTE |
| 17 | + ----- | 1 | CLIP - 6 | GANCHO - 6 |
| 18 | + ----- | 2 | CLIP - 6.5 | GANCHO - 6.5 |
| 19 | + ----- | 1 | CLIP - 6.6 | GANCHO - 6.6 |
| 20 | + ----- | 1 | CONNECTOR, FUEL PIPE | CONECTOR, TUBO DE COMBUSTIBLE |
| 21 | + ----- | 1 | FILTER, FUEL | FILTRO DE COMBUSTIBLE |
| 22 | + ----- | 1 | GASKET, CAP | JUNTA, TAPA |
| 23 | + ----- | 1 | GROMMET | ANILLO DE GOMA |
| 24 | + ----- | 1 | PIPE - 3X5X61 -- BLACK | TUBO - 3X5X61 -- NEGRO |
| 25 | + ----- | 1 | PIPE - 3X6X35 -- BLACK | TUBO - 3X6X35 -- NEGRO |
| 26 | + ----- | 1 | PIPE - 3X6X50 -- BLACK | TUBO - 3X6X50 -- NEGRO |
| 27 | + ----- | 1 | PIPE - 3X6X75 -- CLEAR | TUBO - 3X6X75 -- TRANSPARENTE |
| 28 | + ----- | 1 | PIPE, FUEL - CORRUGATED | TUBO, COMBUSTIBLE - CORRUGADO |
| 29 | + ----- | 1 | VENT, FUEL TANK | RESPIRADERO, TANQUE DE COMBUSTIBLE |
| 30 | P021013500 | 1 | GASKET KIT | KIT DE JUNTAS |
| 31 | + ----- | 1 | GASKET, CYLINDER | JUNTA, CILINDRO |
| 32 | + ----- | 1 | GASKET, INTAKE | JUNTA, ADMISIÓN |
| 33 | + ----- | 1 | SHIELD, INTAKE | PROTECTOR, ADMISIÓN |
| 34 | + ----- | 1 | GASKET, EXHAUST | JUNTA, ESCAPE |
| 35 | + ----- | 1 | SHIELD, EXHAUST | PROTECTOR, ESCAPE |

PART NUMBER INDEX - ÍNDICE DEL NÚMERO DE PARTE

Click The Page Number After Any Part Number To View The Diagram Containing That Part
Chasque la página después de cualquier número de parte para ver el diagrama que contiene esa parte

| Part Number | Page | Part Number | Page | Part Number | Page |
|-------------|--------------------------------|-------------|----------------------------|-------------|----------------|
| ----- | 3, 5, 7, 25, 28 | 90051800006 | 3, 15 | P021013500 | 28 |
| 10001311520 | 25 | 90056000005 | 10, 12, 15, 17, 19, 21, 23 | P021040430 | 12 |
| 10001408960 | 25 | 90060000005 | 8, 10, 12, 15 | P022006830 | 14 |
| 10001504630 | 25 | 90060000008 | 13, 14 | P022007980 | 14 |
| 10011305930 | 25 | 90060300005 | 10, 12, 13, 14 | P022008260 | 14 |
| 10020452132 | 25 | 90070100014 | 17, 19, 21, 23 | P022020030 | 14 |
| 10021242031 | 25 | 90070200035 | 17, 19, 21, 23 | SB1075 | 25 |
| 10024242030 | 25 | 90074 | 3, 10, 12, 13, 28 | V100000160 | 25 |
| 12533942030 | 5, 7 | 90074C | 10, 12, 13, 28 | V103000180 | 3 |
| 12534252130 | 5, 7 | 90081036202 | 17, 19, 21, 23 | V103000410 | 3 |
| 12534413931 | 5, 7 | 90081336202 | 17, 19, 21, 23 | V104000850 | 8 |
| 12534452130 | 5, 7 | 90136BP | 12, 28 | V107000150 | 12 |
| 12538108660 | 5, 7 | 9111005016 | 8, 10, 12, 13, 14 | V186000140 | 10 |
| 12901152730 | 3 | 9111304020 | 13 | V186000510 | 12 |
| 13011054430 | 10 | 9210805000 | 17, 19, 21, 23 | V186000520 | 12 |
| 13031054130 | 3 | 9403536201 | 25 | V202000030 | 13, 14 |
| 13101655830 | 10 | 99988802000 | 17, 21 | V299000250 | 3 |
| 13120507320 | 10, 12 | A011000223 | 25 | V353000231 | 10, 12, 13, 14 |
| 13201040830 | 10, 12 | A021001610 | 5 | V353000250 | 17, 19, 21, 23 |
| 13201212361 | 10, 12 | A021001611 | 7 | V430002200 | 15 |
| 13201309820 | 10 | A051001110 | 13, 14 | V452000150 | 14 |
| 13211555930 | 10, 12 | A052000210 | 13, 14 | V452000390 | 15 |
| 14580642030 | 8 | A056000190 | 24 | V471001180 | 12 |
| 14586240630 | 8 | A101000090 | 25 | V471001880 | 10 |
| 14586642031 | 8 | A127000170 | 10, 12 | V471003670 | 12 |
| 15901019830 | 13 | A130000550 | 25 | V471003680 | 12 |
| 16340003460 | 15 | A160000880 | 14 | V475001610 | 13 |
| 17500504560 | 17, 19, 21, 23 | A200000300 | 3 | V475004150 | 15 |
| 17501744331 | 24 | A226001410 | 3 | V485000870 | 13 |
| 17721421860 | 17, 19, 21, 23 | A232000400 | 3 | V485001030 | 15 |
| 17722042030 | 14 | A313000580 | 8 | V485001110 | 15 |
| 17722742030 | 14 | A320000430 | 8, 13, 14 | V490001100 | 3, 15 |
| 17722827030 | 14 | A350000810 | 10, 12 | V490001230 | 10 |
| 17723661830 | 14 | A356000031 | 10, 12 | V490001240 | 12 |
| 17724611120 | 14 | A365000060 | 10, 12 | V491001230 | 12 |
| 35161105360 | 17, 19, 21, 23 | A409000210 | 13 | V622000020 | 25 |
| 43741119830 | 10, 12 | A411000130 | 13 | X411000700 | 17, 19 |
| 61031204560 | 17, 19, 21, 23 | A425000000 | 13 | X411000760 | 21, 23 |
| 61035004560 | 17, 19, 21, 23 | A426000010 | 13 | X425000470 | 17, 19 |
| 61035012360 | 24 | A427000013 | 13 | X425000490 | 21, 23 |
| 61040705361 | 17, 19, 21, 23 | A507000030 | 14 | X431000050 | 17, 19, 21, 23 |
| 61041105361 | 17, 19, 21, 23 | A552000080 | 24 | X495000180 | 23 |
| 61041405360 | 17, 19, 21, 23 | A566000000 | 24 | X495000210 | 19 |
| 61042504560 | 17, 19, 21, 23 | A570000160 | 24 | X495000480 | 17 |
| 61044004560 | 17, 19, 21, 23 | C152000410 | 10, 12 | X495000490 | 21 |
| 88011010860 | 17, 19, 21, 23 | C400000531 | 17, 19, 21, 23 | X502000330 | 26 |
| 89033252730 | 26 | C410000920 | 15 | X503009220 | 26 |
| 90008 | 3, 10, 12, 28 | C411000030 | 15 | X505000290 | 26 |
| 90010 | 10, 28 | C450000330 | 15 | X505002310 | 26 |
| 9001016 | 21, 23 | C460000120 | 15 | X505002610 | 26 |
| 90010505055 | 8 | C532000120 | 17, 19, 21, 23 | X506000110 | 26 |
| 90010605020 | 17, 19, 21, 23 | P005000100 | 5, 7 | X532000671 | 26 |
| 90016204010 | 17, 19, 21, 23 | P005000190 | 5, 7 | X532000720 | 26 |
| 90016205020 | 10, 12, 13, 14, 17, 19, 21, 23 | P005000250 | 5, 7 | | |
| 90016205022 | 25 | P005000270 | 5, 7 | | |
| 90016205025 | 3 | P005000280 | 5, 7 | | |
| 90016205028 | 25 | P005001000 | 5, 7 | | |
| 90016205040 | 17, 19, 21, 23 | P005001270 | 5, 7 | | |
| 90016304016 | 13, 14, 24 | P005001890 | 5, 7 | | |
| 90021205030 | 17, 19, 21, 23 | P005001900 | 5, 7 | | |
| 90021206025 | 17, 19, 21, 23 | P005002050 | 5, 7 | | |
| 90022005045 | 10, 12, 15 | P005002060 | 5, 7 | | |
| 90024204010 | 8 | P005002090 | 5, 7 | | |
| 90024205065 | 3 | P005001670 | 5, 7 | | |
| 90050000006 | 17, 19, 21, 23 | P021007772 | 25 | | |
| 90050200006 | 3, 15 | P021012210 | 10 | | |
| 90051200008 | 13, 14 | P021012870 | 3 | | |