



Accessories for ECHO products can be found at:

Los accesorios para los productos ECHO se pueden encontrar en:

www.echo-usa.com/products/catalogs

OPTIONAL ACCESSORIES &

ATTACHMENTS:

| | |
|----------------------|-------------|
| Chain Saw Carry Bag | 103942147 |
| ToughChest-20 Case | 99988801210 |
| Chain Sharpening Kit | 99988800720 |
| 12" Guide Bar | 12A0CD3745 |
| 14" Guide Bar | 14A0CD3752 |
| 16" Guide Bar | 16A0CD3757 |
| 12" Saw Chain | 91PX45CQ |
| 14" Saw Chain | 91PX52CQ |
| 16" Saw Chain | 91PX57CQ |
| 12-20" Scabbard | 99988801595 |
| Debris Shield | 99988800307 |

SAFETY EQUIPMENT

| | |
|-----------------------|-------------|
| Helmet System | 99988801500 |
| Chaps - 36" Apron | 99988801300 |
| Chaps - 36" Full Wrap | 99988801302 |
| Chaps - 40" Apron | 99988801301 |
| Chaps - 40" Full Wrap | 99988801303 |
| Hearing Protection | 99988801502 |

ACCESORIOS OPCIONALES

| | |
|----------------------------|-------------|
| Bolso de transporte | 103942147 |
| ToughChest-20 estuche | 99988801210 |
| Kit de afilado para cadena | 99988800720 |
| 30 cm Guía de barra | 12A0CD3745 |
| 35 cm Guía de barra | 14A0CD3752 |
| 40 cm Guía de barra | 16A0CD3757 |
| 30 cm Cadena | 91PX45CQ |
| 35 cm Cadena | 91PX52CQ |
| 40 cm Cadena | 91PX57CQ |
| Funda 30-50.8 cm | 99988801595 |
| Protector Contra Residuos | 99988800307 |

EQUIPO DE SEGURIDAD

| | |
|-----------------------------|-------------|
| Casco de seguridad | 99988801500 |
| Chaparreras - Mandil 91 cm | 99988801300 |
| Chaparreras 91 cm | 99988801302 |
| Chaparreras - Mandil 102 cm | 99988801301 |
| Chaparreras 102 cm | 99988801303 |
| Protección de los oídos | 99988801502 |

PARTS CATALOG LISTA DE PIEZAS

CS-330T Chain Saw

CS-330T MOTOSIERRA



32.6 cc

SERIAL NUMBER
NÚMERO DE SERIE

C33914001001 - C33914999999

ECHO, INCORPORATED

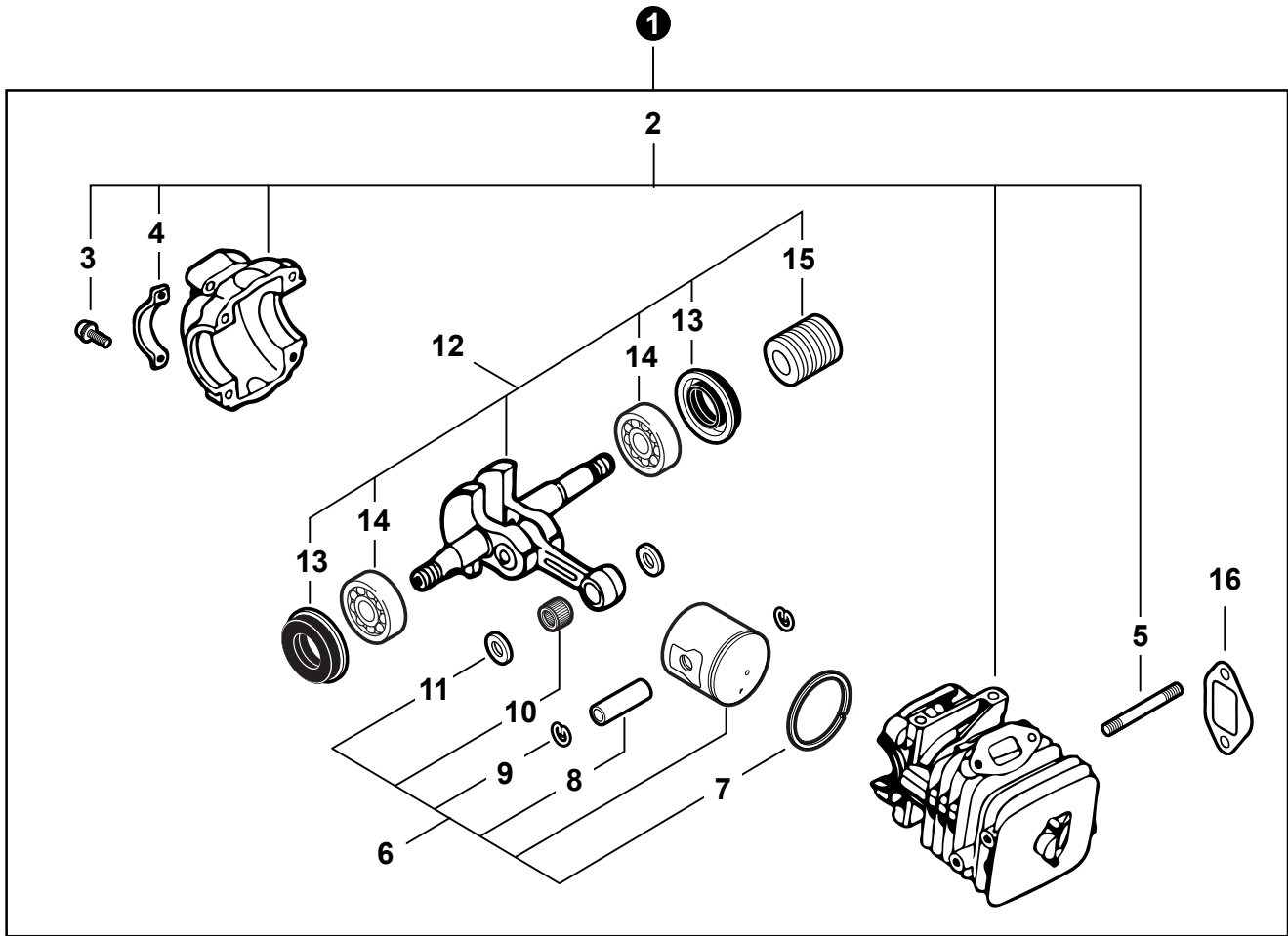
400 Oakwood Road, Lake Zurich, Illinois 60047

WWW.ECHO-USA.COM

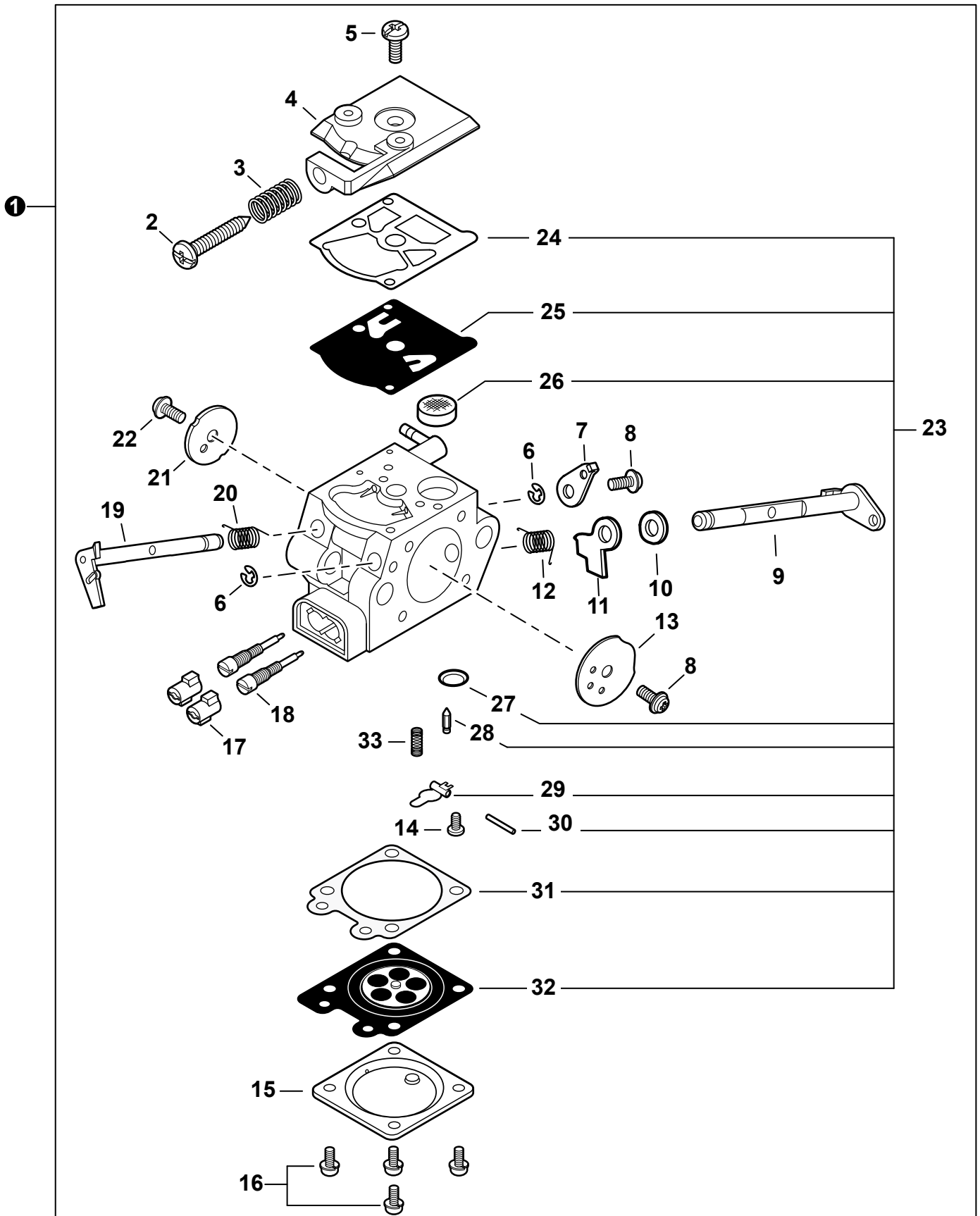
©2015 ECHO, Incorporated. All Rights Reserved

P/N 99922204395
REVISED 09/15/15

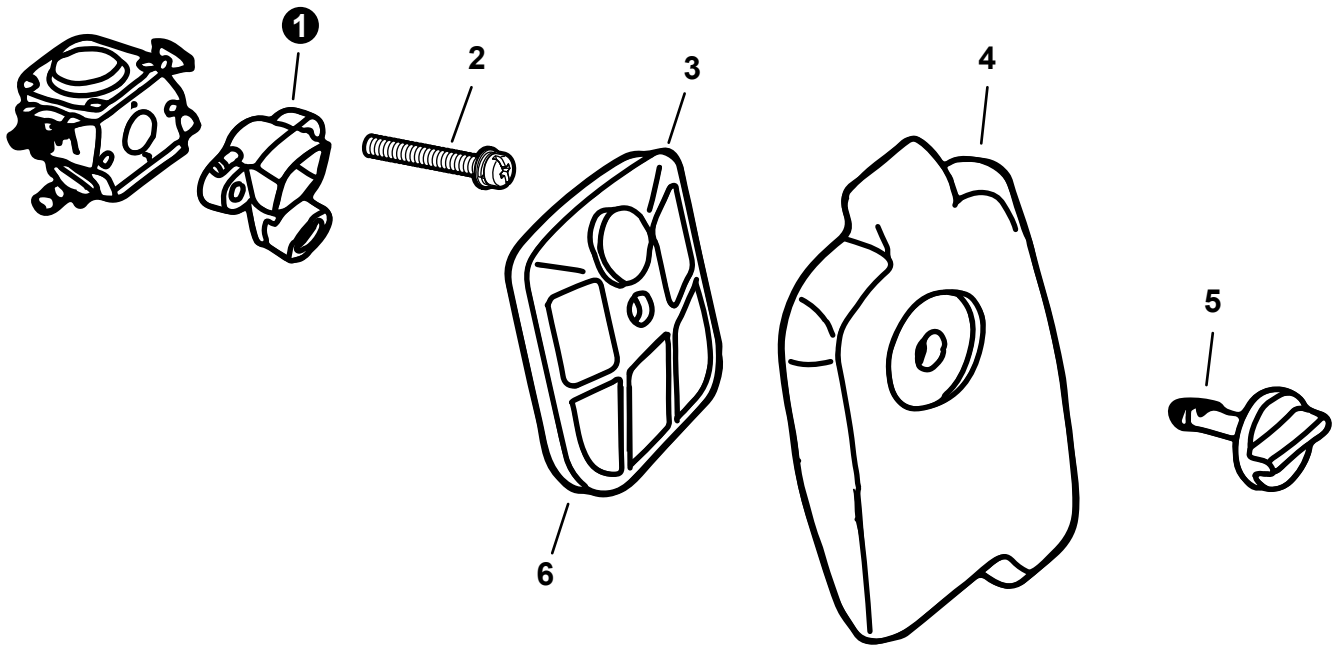
| | |
|--|-----------|
| Engine | 3 |
| Motor | |
| Carburetor | 4 |
| Carburador | |
| Carburetor | 5 |
| Carburador | |
| Intake, Air Filter | 6 |
| Admisión, Filtro de aire | |
| Exhaust | 7 |
| Escape | |
| Flywheel, Ignition | 8 |
| Volante, Encendido | |
| Recoil Starter | 9 |
| Arrancador Autorretráctil | |
| Fuel System | 10 |
| Sistema de combustible | |
| Oil System | 11 |
| Sistema de aceite | |
| Handles, Throttle Control | 12 |
| Mangos, Control del Acelerador | |
| Handles, Throttle Control | 13 |
| Mangos, Control del Acelerador | |
| Chain Brake | 14 |
| Freno de cadena | |
| Chain Brake | 15 |
| Freno de cadena | |
| Engine Cover | 16 |
| Cubierta del motor | |
| Clutch | 17 |
| Embrague | |
| Labels | 18 |
| Etiquetas | |
| Chain, Guide Bar | 19 |
| Cadena, Guía de barra | |
| Tools | 19 |
| Herramientas | |
| RePower Maintenance Kits | 20 |
| Juegos de mantenimiento RePower | |



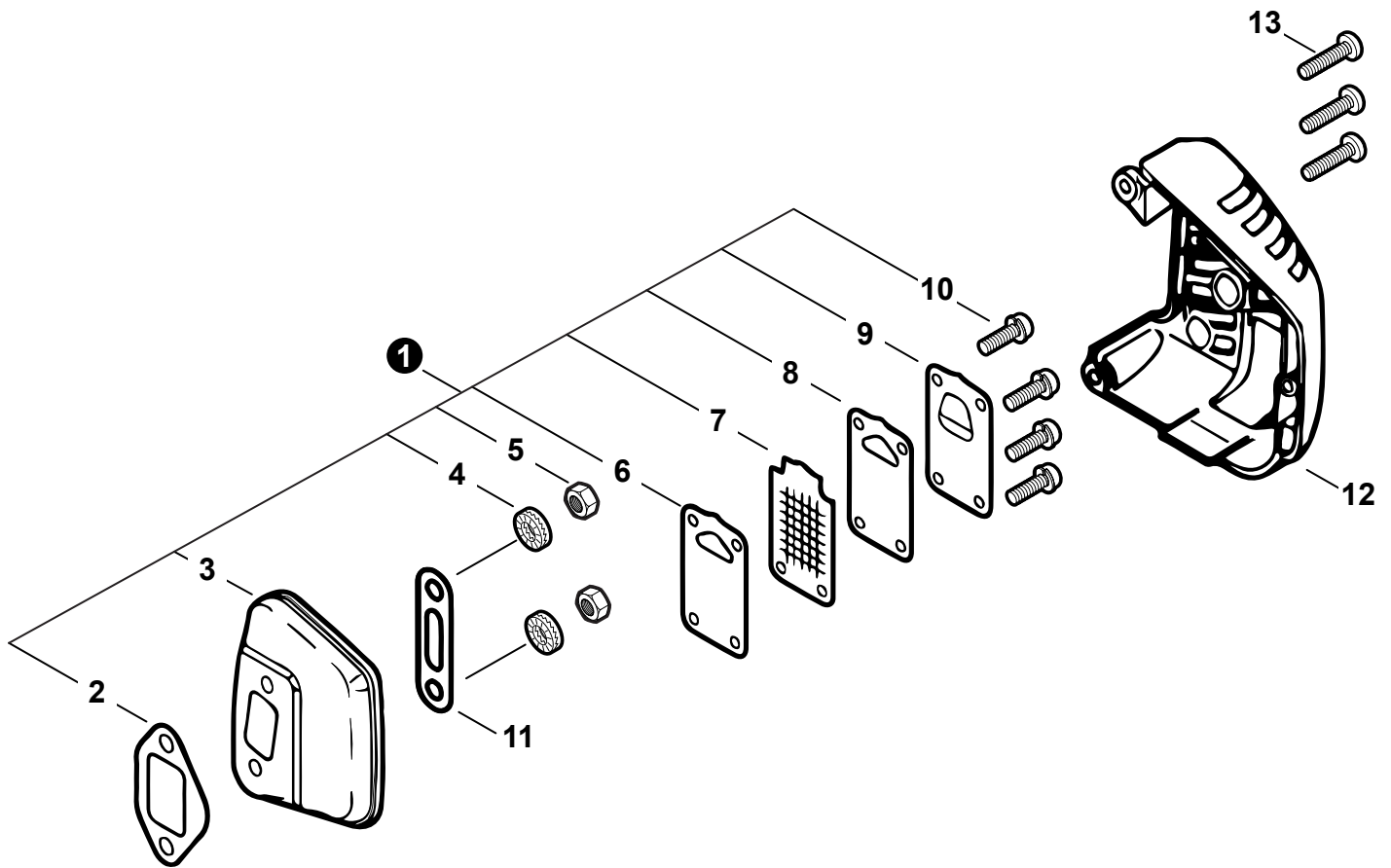
| NO. | PART NUMBER | QTY. | DESCRIPTION | DESCRIPCIÓN |
|-----|-------------|------|------------------------|--------------------------------|
| 1 | SB1085 | 1 | SHORT BLOCK | BLOQUE CORTO |
| 2 | P021008953 | 1 | +CRANKCASE KIT | +JUEGO DE CÁRTER |
| 3 | 9112805025 | 4 | ++SCREW 5×25 | ++TORNILLO 5×25 |
| 4 | V150001670 | 2 | ++BRACKET, CRANKCASE | ++ABRAZADERA DE CÁRTER |
| 5 | V223000000 | 2 | ++BOLT, STUD | ++PERNO PRISIONERO |
| 6 | P021008980 | 1 | +PISTON KIT | +JUEGO DE PISTÓN |
| 7 | 10001116131 | 1 | ++RING, PISTON | ++ANILLO DEL PISTÓN |
| 8 | 10001315330 | 1 | ++PIN, PISTON 5.5×8×29 | ++PASADOR DEL PISTÓN 5.5×8×29 |
| 9 | 10001504630 | 2 | ++RING, SNAP | ++ANILLO RETENEDOR |
| 10 | V553000040 | 1 | ++BEARING, NEEDLE 8 | ++COJINETE DE AGUJAS 8 |
| 11 | 10001460930 | 2 | ++WASHER, THRUST | ++ARANDELA DE EMPUJE |
| 12 | P021008993 | 1 | +CRANKSHAFT ASSY | +MONTAJE DE CIGÜEÑAL |
| 13 | V505000011 | 2 | +SEAL, OIL 12 | +SELLO DE ACEITE 12 |
| 14 | 9403536201 | 2 | +BEARING, BALL 6201 | +COJINETE DE BALINES 6201 |
| 15 | V652000010 | 1 | +GEAR, WORM | +ENGRANAJE DE TORNILLO SIN FIN |
| 16 | A301000020 | 1 | +GASKET, EXHAUST | +EMPAQUETADURA DE ESCAPE |



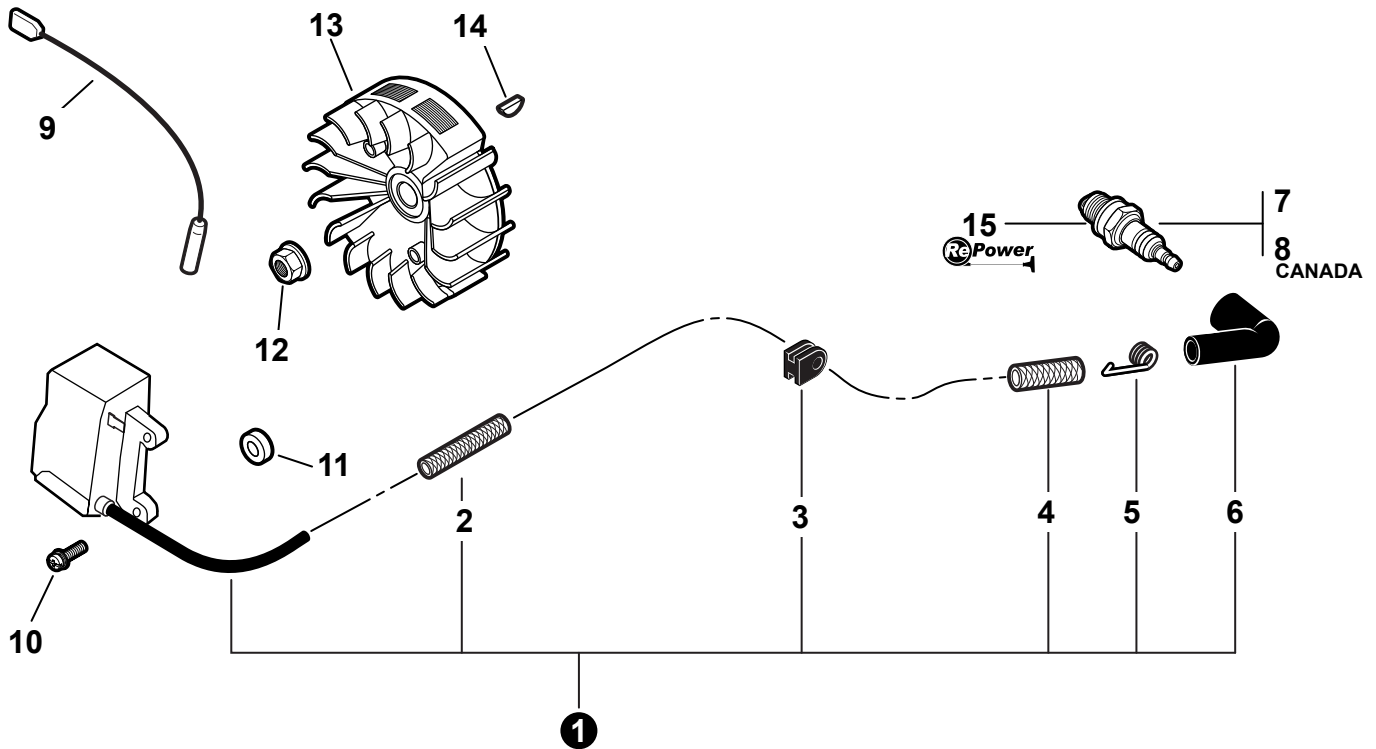
| NO. | PART NUMBER | QTY. | DESCRIPTION | DESCRIPCIÓN |
|-----|-------------------|------|------------------------------|--|
| 1 | A021001111 | 1 | CARBURETOR - WT-739 | CARBURADOR - WT-739 |
| 2 | P003001400 | 1 | +SCREW, IDLE ADJUST | +TORNILLO PARA AJUSTAR EL RALENTI |
| 3 | 12313304260 | 1 | +SPRING, IDLE ADJUST | +RESORTE PARA AJUSTAR EL RALENTÍ |
| 4 | P003001380 | 1 | +COVER ASSY, PUMP | +MONTAJE DE TAPA DE LA BOMBA |
| 5 | 12311003930 | 1 | +SCREW | +TORNILLO |
| 6 | 12312715030 | 2 | +E-RING | +RETENEDOR TIPO "E" |
| 7 | P003000380 | 1 | +LEVER, THROTTLE | +PALANCA DE ACELERADOR |
| 8 | 12311438830 | 2 | +SCREW | +TORNILLO |
| 9 | P003001140 | 1 | +SHAFT, CHOKE | +EJE DEL ESTRANGULADOR |
| 10 | 12314926030 | 1 | +WASHER | +ARANDELA |
| 11 | P003000160 | 1 | +LEVER, FAST IDLE | +PALANCA DE RALENTÍ RÁPIDO |
| 12 | P003000140 | 1 | +SPRING, CHOKE RETURN | +RESORTE RETORNADOR ESTRANGULADOR |
| 13 | P003001410 | 1 | +VALVE, CHOKE | +VÁLVULA ESTRANGULADOR |
| 14 | 12313903930 | 1 | +SCREW, METERING LEVER PIN | +TORNILLO PASADOR DE PALANCA DE MEDICIÓN |
| 15 | P003001390 | 1 | +COVER, METERING DIAPHRAGM | +TAPA DEL DIAFRAGMA DE MEDICIÓN |
| 16 | 12313002960 | 4 | +SCREW | +TORNILLO |
| 17 | P003000010 | 2 | +CAP, LIMITER | +PROTECTOR DE TORNILLO |
| 18 | 12312052131 | 2 | +NEEDLE, MIXTURE | +AGUJA DE REGULACION |
| 19 | P003001300 | 1 | +SHAFT, THROTTLE | +EJE DEL ACELERADOR |
| 20 | 12311337530 | 1 | +SPRING, THROTTLE RETURN | +RESORTE DEL ACELERADOR |
| 21 | 12311610530 | 1 | +VALVE, THROTTLE | +VÁLVULA DEL ACELERADOR |
| 22 | 12311405260 | 1 | +SCREW | +TORNILLO |
| 23 | P003000250 | 1 | +REPAIR KIT | +JUEGO DE REPARACIÓN |
| 24 | | 1 | ++GASKET, PUMP | ++EMPAQUETADURA DE LA BOMBA |
| 25 | | 1 | ++DIAPHRAGM, PUMP | ++DIAFRAGMA DE LA BOMBA |
| 26 | | 1 | ++SCREEN, FUEL INLET | ++MALLA FILTRADORA |
| 27 | | 1 | ++PLUG, WELCH | ++TAPÓN WELCH |
| 28 | | 1 | ++VALVE, INLET NEEDLE | ++VÁLVULA REGULADORA |
| 29 | | 1 | ++LEVER, METERING | ++PALANCA DE MEDICIÓN |
| 30 | | 1 | ++PIN, METERING LEVER | ++PASADOR DE PALANCA DE MEDICIÓN |
| 31 | | 1 | ++GASKET, METERING DIAPHRAGM | ++EMPAQUETADURA DIAFRAGMA DE MEDICIÓN |
| 32 | | 1 | ++DIAPHRAGM, METERING | ++DIAFRAGMA DE MEDICIÓN |
| 33 | 12312203660 | 1 | +SPRING, METERING LEVER | +RESORTE PALANCA DE MEDICIÓN |



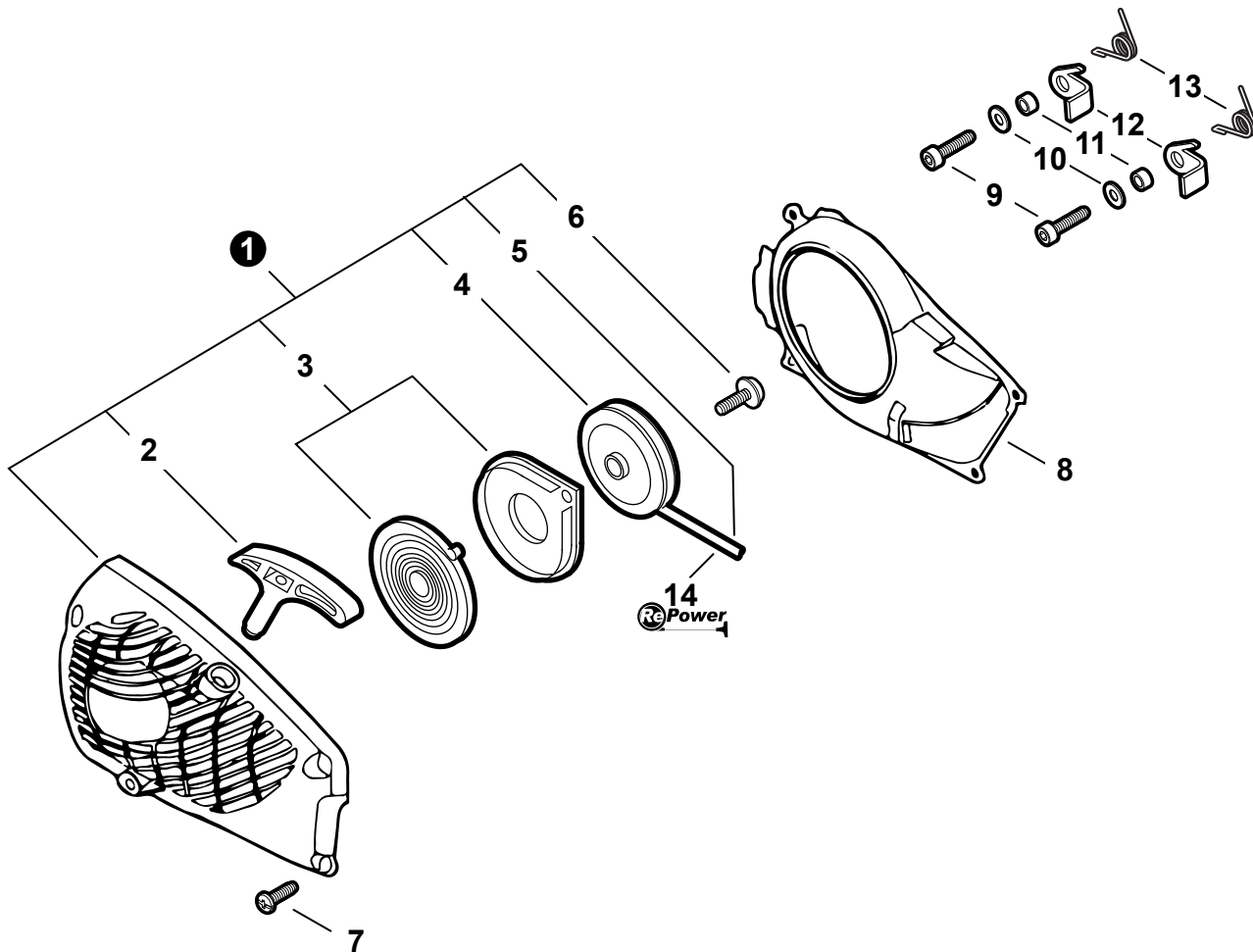
| NO. | PART NUMBER | QTY. | DESCRIPTION | DESCRIPCIÓN |
|-----|-------------|------|-----------------------|-----------------------------------|
| 1 | A204000072 | 1 | ADAPTOR, AIR FILTER | ADAPTADOR DEL FILTRO DE AIRE |
| 2 | 90023805050 | 2 | SCREW 5×50 | TORNILLO 5×50 |
| 3 | A226000291 | 1 | FILTER, AIR | FILTRO DE AIRE |
| 4 | A232000290 | 1 | COVER, AIR FILTER | CUBIERTA DEL FILTRO DE AIRE |
| 5 | A235000040 | 1 | THUMBSCREW | TORNILLO DE OREJETAS |
| 6 | 90159 | 1 | TUNE-UP KIT - REPOWER | JUEGO DE PUESTA A PUNTO - REPOWER |



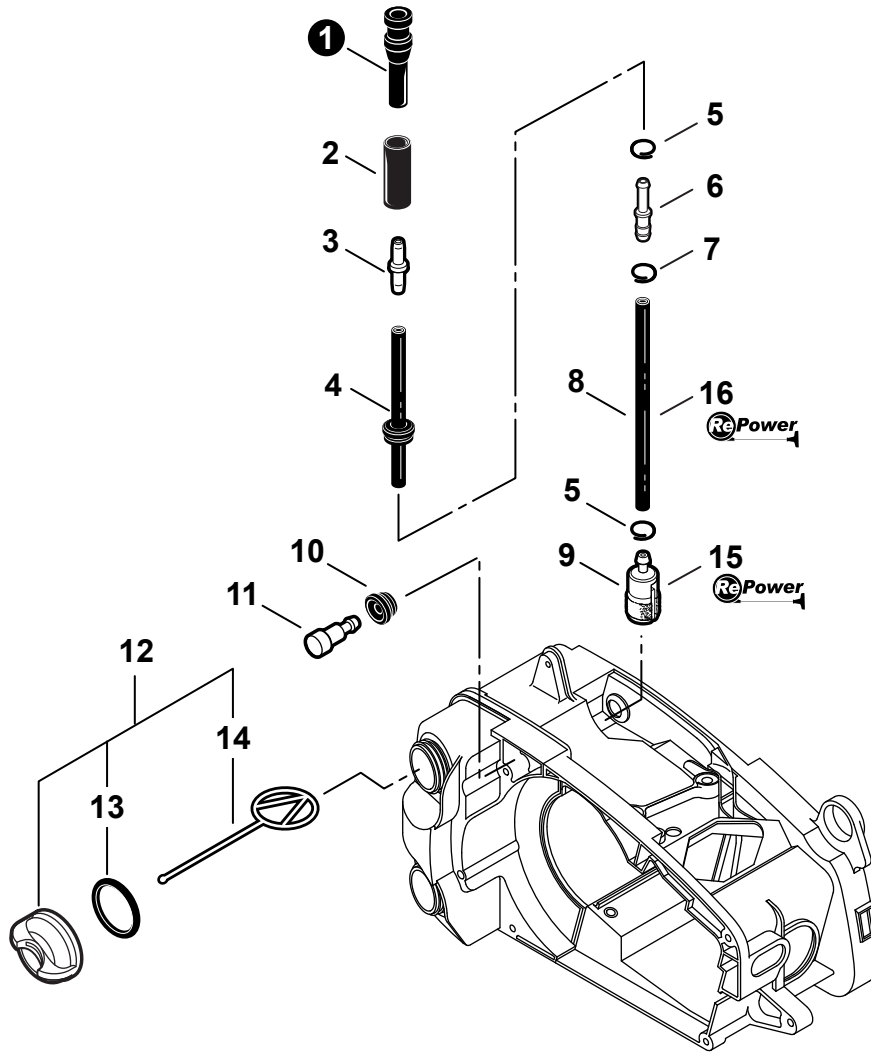
| NO. | PART NUMBER | QTY. | DESCRIPTION | DESCRIPCIÓN |
|-----|-------------|------|-------------------------|------------------------------------|
| 1 | 90096 | 1 | MUFFLER KIT | JUEGO DE SILENCIADOR |
| 2 | A301000020 | 1 | +GASKET, EXHAUST | +EMPAQUETADURA DE ESCAPE |
| 3 | A300000551 | 1 | +MUFFLER | +SILENCIADOR |
| 4 | 9228005000 | 2 | +WASHER | +ARANDELA |
| 5 | 90050000005 | 2 | +NUT 5 | +TUERCA 5 |
| 6 | A313000710 | 1 | +GASKET, EXHAUST | +EMPAQUETADURA DE ESCAPE |
| 7 | A310000030 | 1 | +SCREEN, SPARK ARRESTER | +PANTALLA DEL GUARDACHISPAS |
| 8 | V104000680 | 1 | +GASKET, EXHAUST | +EMPAQUETADURA DE ESCAPE |
| 9 | A313000721 | 1 | +OUTLET, EXHAUST | +SALIDA DE ESCAPE |
| 10 | 9136704010 | 4 | +SCREW 4×10 | +TORNILLO 4×10 |
| 11 | 14564213930 | 1 | PLATE, EYE | PLACA |
| 12 | A320000490 | 1 | COVER, MUFFLER - ORANGE | CUBIERTA DEL SILENCIADOR - NARANJA |
| 13 | 90025304016 | 3 | SCREW 4×16 | TORNILLO 4×16 |



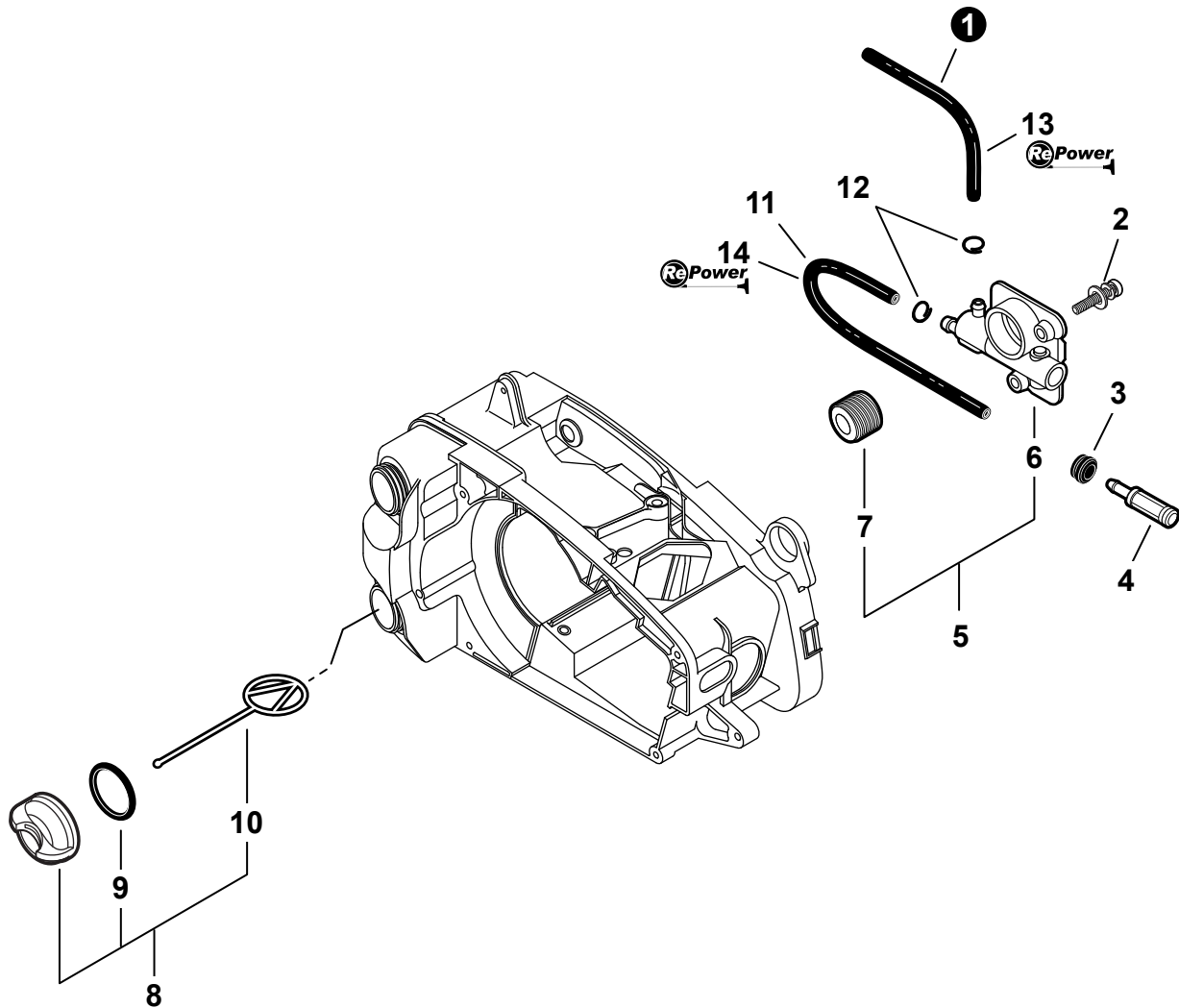
| NO. | PART NUMBER | QTY. | DESCRIPTION | DESCRIPCIÓN |
|-----|-------------|------|-----------------------|-----------------------------------|
| 1 | A411000242 | 1 | COIL, IGNITION | BOBINA DE ENCENDIDO |
| 2 | P003001450 | 1 | +TUBE, INSULATOR | +TUBO AISLANTE |
| 3 | 15611004920 | 1 | +GROMMET | +OJAL |
| 4 | P003001440 | 1 | +TUBE, INSULATOR | +TUBO AISLANTE |
| 5 | A426000020 | 1 | +TERMINAL, SPARK PLUG | +TERMINAL DE BUJÍA |
| 6 | A427000020 | 1 | +CAP, SPARK PLUG | +TAPA DE BUJÍA |
| 7 | 15901019830 | 1 | SPARK PLUG - BPM8Y | BUJÍA BPM8Y |
| 8 | A425000000 | 1 | SPARK PLUG - BPMR8Y | BUJÍA BPMR8Y |
| 9 | V485000590 | 1 | LEAD - IGNITION | CABLE DE ENCENDIDO |
| 10 | 90023805022 | 2 | SCREW 5×22 | TORNILLO 5×22 |
| 11 | 15011716430 | 2 | WASHER 5.2×12×3 | ARANDELA 5.2×12×3 |
| 12 | 90051500008 | 1 | NUT, FLANGE M8 | TUERCA-BRIDA M8 |
| 13 | A409000241 | 1 | FLYWHEEL | VOLANTE |
| 14 | 10014212330 | 1 | KEY, WOODRUFF | CHAVETA WOODRUFF |
| 15 | 90159 | 1 | TUNE-UP KIT - REPOWER | JUEGO DE PUESTA A PUNTO - REPOWER |



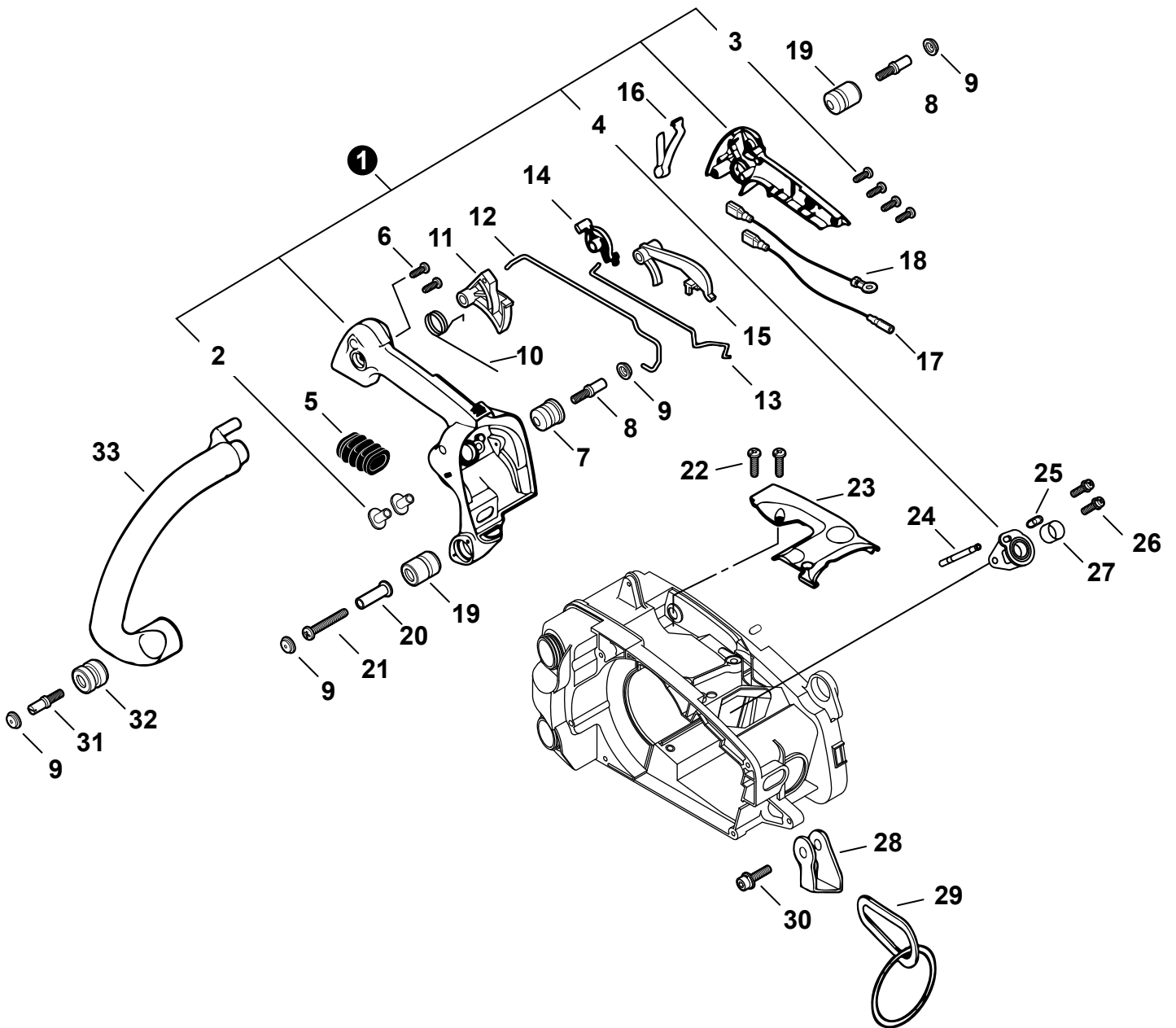
| NO. | PART NUMBER | QTY. | DESCRIPTION | DESCRIPCIÓN |
|-----|-------------|------|---------------------------------|--|
| 1 | A051001330 | 1 | STARTER ASSY, RECOIL - ORANGE | MONTAJE DE ARRANCADOR AUTORRETRÁCTIL - NARANJA |
| 2 | P022005891 | 1 | +GRIP, STARTER | +AGARRE DEL ARRANCADOR |
| 3 | P022010440 | 1 | +SPRING SET, RECOIL | +JUEGO DE RESORTE RECULAR |
| 4 | P022010451 | 1 | +REEL, ROPE | +CARRETE DEL CABLE |
| 5 | P022005900 | 1 | +ROPE, STARTER | +CUERDA DEL ARRANCADOR |
| 6 | 17723644330 | 1 | +SCREW | +TORNILLO |
| 7 | V202000040 | 4 | BOLT 4 | PERNO 4 |
| 8 | A172000511 | 1 | COVER, FAN | CUBIERTA DEL VENTILADOR |
| 9 | 90010505014 | 2 | BOLT 5x14 | PERNO 5x14 |
| 10 | 90060300005 | 4 | WASHER 5.5x12x0.8 | ARANDELA 5.5x12x0.8 |
| 11 | 17724704630 | 2 | SPACER 5.2x8x2.1 | ESPACIADOR 5.2x8x2.1 |
| 12 | A514000020 | 2 | PAWL | TRINQUETE |
| 13 | 17723435430 | 2 | SPRING, TORSION | RESORTE DE TORSIÓN |
| 14 | 99944440000 | 1 | ROPE, STARTER - REPOWER BULK Ø3 | CUERDA DEL ARRANCADOR REPOWER AL POR MAYOR |



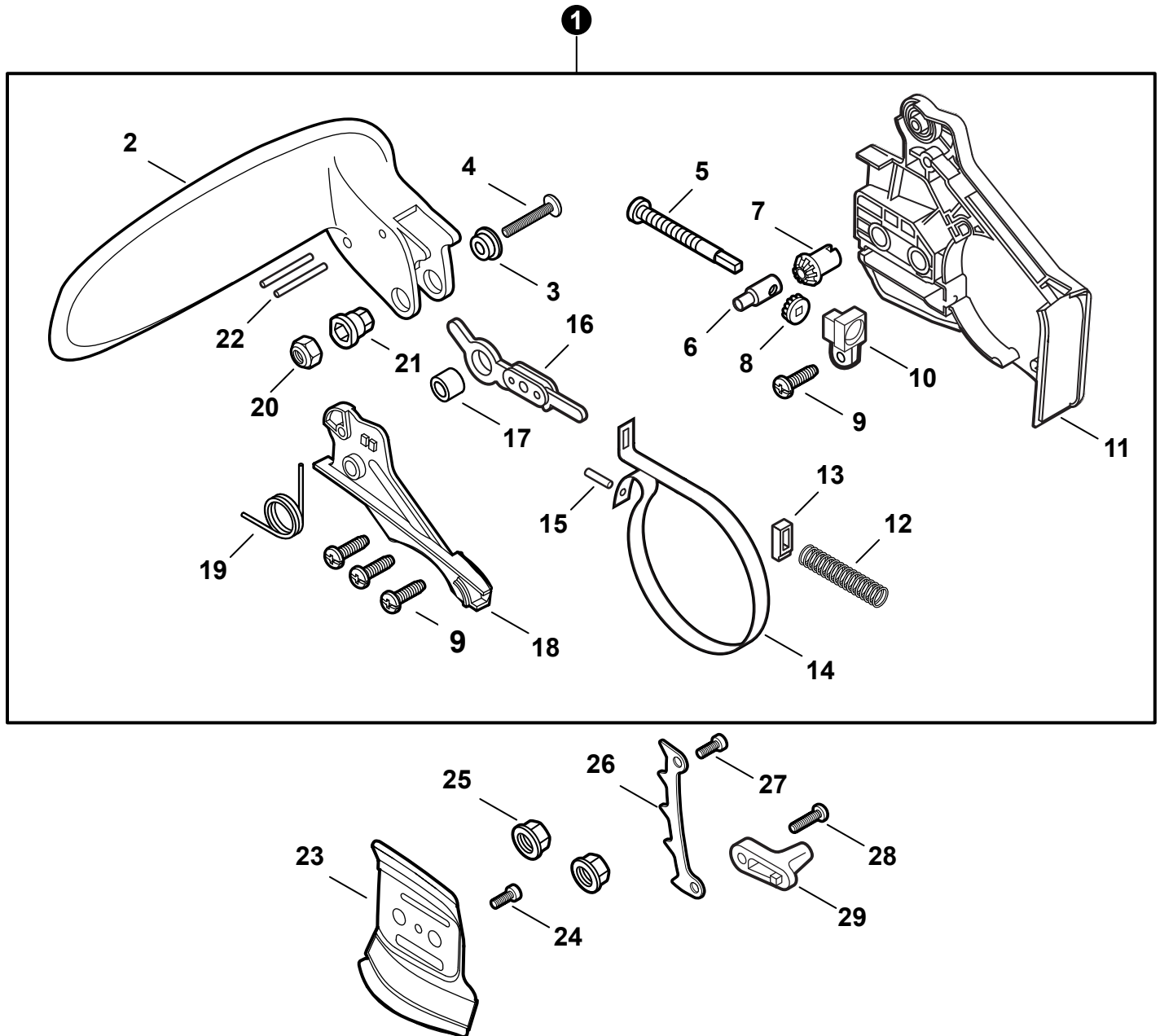
| NO. | PART NUMBER | QTY. | DESCRIPTION | DESCRIPCIÓN |
|-----|-------------------|------|----------------------------------|---|
| 1 | V470000691 | 1 | PIPE, FUEL | TUBO DE COMBUSTIBLE |
| 2 | V475007380 | 1 | TUBE Ø6.5×30 | TUBO Ø6.5×30 |
| 3 | V186000510 | 1 | CONNECTOR, PIPE | CONECTOR DE TUBO |
| 4 | V470000712 | 1 | PIPE ASSY, FUEL | MONTAJE DE TUBO DE COMBUSTIBLE |
| 5 | V490001271 | 1 | CLIP 5 | SUJETADOR 5 |
| 6 | V186000520 | 1 | CONNECTOR, PIPE Ø5×Ø3.5 | CONECTOR DE TUBO Ø5×Ø3.5 |
| 7 | V490001240 | 2 | CLIP Ø6 | SUJETADOR Ø6 |
| 8 | V471003820 | 1 | PIPE, FUEL 3×5×95 | TUBO DE COMBUSTIBLE 3×5×95 |
| 9 | 13120514931 | 1 | FILTER, FUEL | FILTRO DE COMBUSTIBLE |
| 10 | V137000000 | 1 | GROMMET, FUEL | OJAL DE COMBUSTIBLE |
| 11 | A356000031 | 1 | VENT ASSY | VÁLVULA DE RESPIRADERO |
| 12 | P021038080 | 1 | CAP ASSY, FUEL - ORANGE | MONTAJE DE TAPA DE COMBUSTIBLE - NARANJA |
| 13 | V581000590 | 1 | +O-RING | +JUNTA TÓRICA |
| 14 | A365000050 | 1 | +CONNECTOR, CAP L= 60mm | +CONECTOR DE TAPA L= 60mm |
| 15 | 90159 | 1 | TUNE-UP KIT - REPOWER | JUEGO DE PUESTA A PUNTO - REPOWER |
| 16 | 90014 | 1 | PIPE, BULK - REPOWER 3×5mm BLACK | TUBO REPOWER AL POR MAYOR 3×5mm NEGRO |



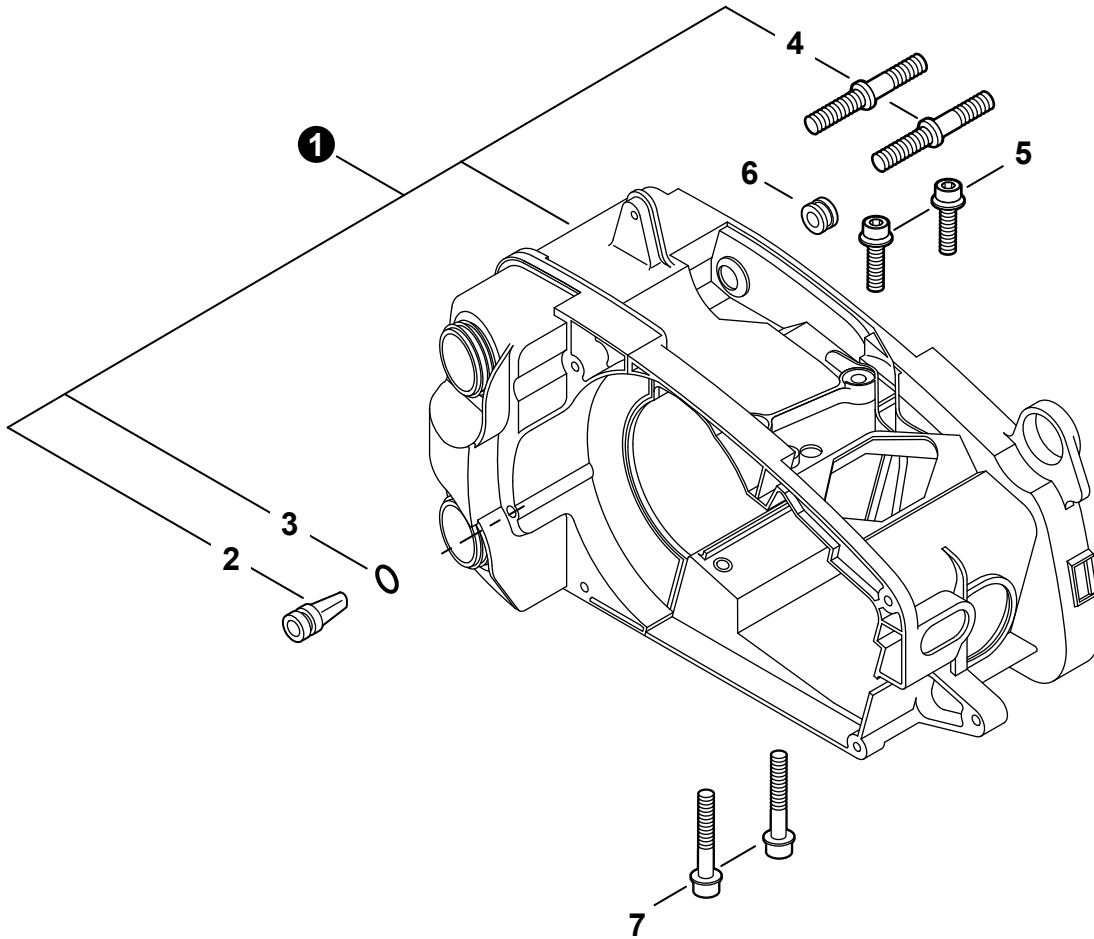
| NO. | PART NUMBER | QTY. | DESCRIPTION | DESCRIPCIÓN |
|-----|-------------------|------|----------------------------------|---------------------------------------|
| 1 | V471000760 | 1 | PIPE 3×6×90mm | TUBO 3×6×90mm |
| 2 | 90023804012 | 2 | SCREW 4×12 | TORNILLO 4×12 |
| 3 | 13211501461 | 1 | GROMMET | OJAL |
| 4 | 43620502832 | 1 | FILTER, OIL | FILTRO DE ACEITE |
| 5 | P021001980 | 1 | AUTO-OILER KIT | JUEGO DE ENGRASADOR AUTOMÁTICO |
| 6 | C022000000 | 1 | +AUTO-OILER ASSY | +MONTAJE DE ENGRASADOR AUTOMÁTICO |
| 7 | V652000010 | 1 | +GEAR, WORM | +ENGRANAJE DE TORNILLO SIN FIN |
| 8 | P021005581 | 1 | CAP ASSY, BLACK | MONTAJE DE TAPA NEGRO |
| 9 | 90072000018 | 1 | +O-RING 18 | +JUNTA TÓRICA 18 |
| 10 | A365000050 | 1 | +CONNECTOR, CAP L= 60mm | +CONECTOR DE TAPA L= 60mm |
| 11 | 13011005260 | 1 | PIPE 3×6×185mm BLACK | TUBO 3×6×185mm NEGRO |
| 12 | V490001230 | 2 | CLIP Ø6.5MM | SUJETADOR Ø6.5MM |
| 13 | 90015 | 1 | PIPE, BULK - REPOWER 3×6mm BLACK | TUBO REPOWER AL POR MAYOR 3×6mm NEGRO |
| 14 | 90014 | 1 | PIPE, BULK - REPOWER 3×5mm BLACK | TUBO REPOWER AL POR MAYOR 3×5mm NEGRO |



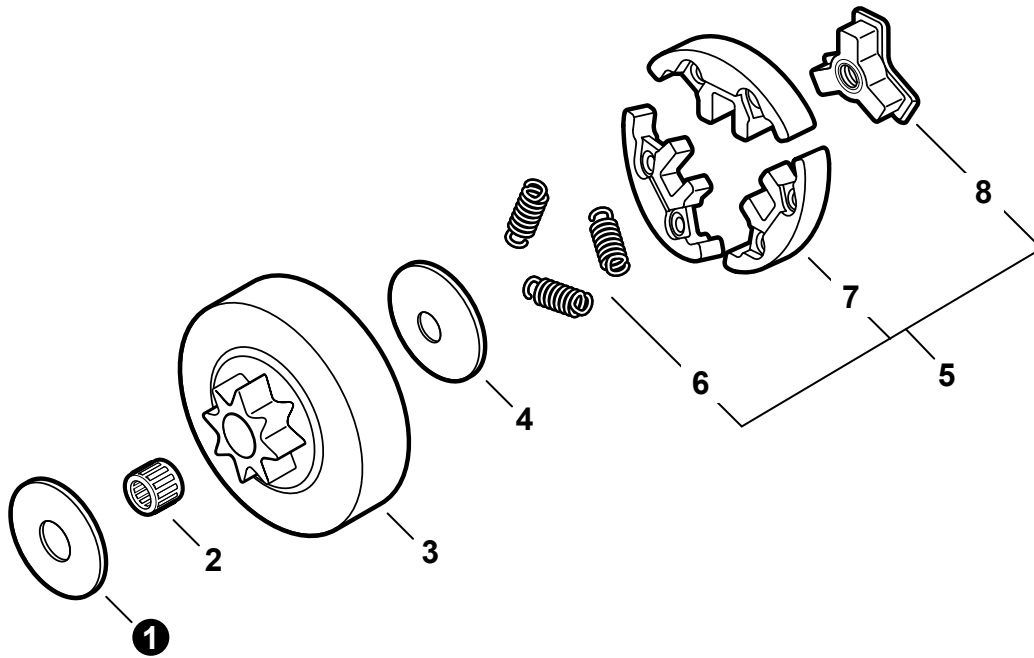
| NO. | PART NUMBER | QTY. | DESCRIPTION | DESCRIPCIÓN |
|-----|-------------|------|----------------------|------------------------------|
| 1 | P021009003 | 1 | HANDLE KIT, REAR | JUEGO DE MANGO TRASERO |
| 2 | 13002033330 | 2 | +NUT 5 | +TUERCA 5 |
| 3 | 90025604016 | 4 | +SCREW 4×16 | +TORNILLO 4×16 |
| 4 | A202000051 | 1 | +BELLOWS, INTAKE | +FUELLE DE ADMISIÓN |
| 5 | A239000000 | 1 | BELLOWS, INTAKE | FUELLE DE ADMISIÓN |
| 6 | 90025305020 | 2 | SCREW 5×20 | TORNILLO 5×20 |
| 7 | 10092139131 | 1 | CUSHION 4 | AMORTIGUADOR 4 |
| 8 | V202000020 | 2 | BOLT 4×15 | PERNO 4×15 |
| 9 | 10091815130 | 4 | CAP, CUSHION | TAPA DE AMORTIGUADOR |
| 10 | V452000010 | 1 | SPRING, TORSION | RESORTE DE TORSIÓN |
| 11 | C450000010 | 1 | TRIGGER, THROTTLE | GATILLO DEL ACELERADOR |
| 12 | C454000070 | 1 | ROD, THROTTLE | VARILLA ACELERADOR |
| 13 | A240000010 | 1 | ROD, CHOKE | VARILLA ESTRANGULADOR |
| 14 | A253000043 | 1 | LEVER, CONTROL | PALANCA DE CONTROL |
| 15 | C460000002 | 1 | LOCKOUT, THROTTLE | SEGURO DEL ACELERADOR |
| 16 | V486000010 | 1 | TERMINAL, LEAD | TERMINAL DE CABLE |
| 17 | 16201055930 | 1 | LEAD - GROUND | CABLE DE TIERRA |
| 18 | V485000340 | 1 | LEAD - IGNITION | CABLE DE ENCENDIDO |
| 19 | V400000021 | 2 | CUSHION | AMORTIGUADOR |
| 20 | V352000020 | 1 | COLLAR 4 | COLLAR |
| 21 | 9148104035 | 1 | SCREW, TAPPING 4×35 | TORNILLO ROSCADO 4×35 |
| 22 | 90025304012 | 2 | SCREW 4×12 | TORNILLO 4×12 |
| 23 | A127000220 | 1 | COVER, DUST - ORANGE | CUBIERTA ANTIPOLVO - NARANJA |
| 24 | V470000482 | 1 | PIPE, PULSE 3×7×65 | TUBO DE PULSO 3×7×65 |
| 25 | V351000000 | 1 | COLLAR Ø3.2×6.5 | COLLAR Ø3.2×6.5 |
| 26 | 90023805012 | 2 | SCREW 5×12 | TORNILLO 5×12 |
| 27 | V359000060 | 1 | COLLAR 16 | COLLAR 16 |
| 28 | C626000040 | 1 | BRACKET, HARNESS | ABRAZADERA DEL ARNÉS |
| 29 | C646000050 | 1 | RING, HARNESS | ANILLO DEL ARNÉS |
| 30 | 90016204025 | 1 | BOLT 4×25 | PERNO 4×25 |
| 31 | 10091532530 | 1 | SCREW 5 | TORNILLO 5 |
| 32 | 10091060030 | 1 | CUSHION 5 | AMORTIGUADOR 5 |
| 33 | C400000371 | 1 | HANDLE, FRONT | MANGO DELANTERO |



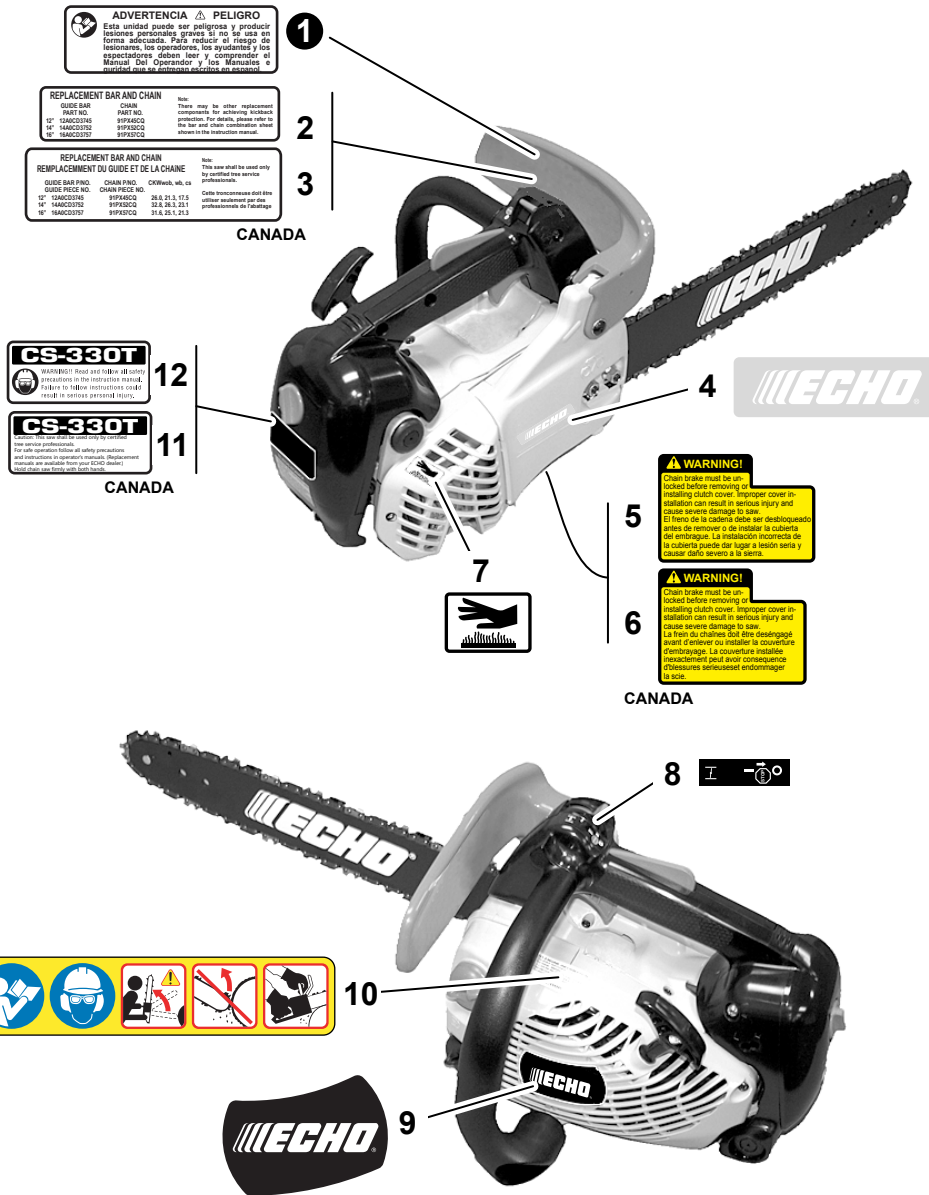
| NO. | PART NUMBER | QTY. | DESCRIPTION | DESCRIPCIÓN |
|-----|-------------|------|---------------------------|-------------------------------|
| 1 | P021050760 | 1 | BRAKE ASSY, CHAIN | MONTAJE DE FRENO DE CADENA |
| 2 | C320000190 | 1 | +LEVER, BRAKE - BLACK | +PALANCA DE FRENO - NEGRO |
| 3 | 43316739130 | 1 | +COLLAR 5.3×10×13×L5 | +COLLAR 5.3×10×13×L5 |
| 4 | 9131805032 | 1 | +SCREW 5×32 | +TORNILLO 5×32 |
| 5 | V203000041 | 1 | +BOLT 5 | +PERNO 5 |
| 6 | C309000030 | 1 | +TENSIONER, CHAIN | +TENSOR DE CADENA |
| 7 | V651000001 | 1 | +GEAR, BEVEL | +ENGRANAJE CÓNICO |
| 8 | V651000011 | 1 | +GEAR, BEVEL | +ENGRANAJE CÓNICO |
| 9 | 90025304012 | 4 | +SCREW 4×12 | +TORNILLO 4×12 |
| 10 | V355000140 | 1 | +COLLAR 8 | +COLLAR 8 |
| 11 | C300000420 | 1 | +GUARD, SPROCKET - ORANGE | +CUBIERTA DEL PIÑÓN - NARANJA |
| 12 | V450000070 | 1 | +SPRING, COMPRESSION | +RESORTE DE COMPRESIÓN |
| 13 | V376000450 | 1 | +GUIDE | +GUÍA |
| 14 | C328000030 | 1 | +BAND, BRAKE | +BANDA DE FRENO |
| 15 | 9305030098 | 1 | +PIN, SPRING 3×9.8 | +PASADOR ELÁSTICO 3×9.8 |
| 16 | C334000070 | 1 | +CONNECTOR, BRAKE | +CONECTOR DE FRENO |
| 17 | 43311635430 | 1 | +SPACER 8×12×9 | +ESPACIADOR 8×12×9 |
| 18 | C345000310 | 1 | +COVER, BRAKE - ORANGE | +CUBIERTA DE FRENO - NARANJA |
| 19 | V452000110 | 1 | +SPRING, TORSION | +RESORTE DE TORSIÓN |
| 20 | 90056250005 | 1 | +NUT, LOCK M5 | +CONTRATUERCA M5 |
| 21 | V353000060 | 1 | +COLLAR 5 | +COLLAR 5 |
| 22 | 90033030260 | 2 | +PIN 3×26 | +PASADOR 3×26 |
| 23 | C305000080 | 1 | PLATE, GUIDE - INNER | PLACA GUÍA - INTERNA |
| 24 | 90025304010 | 1 | SCREW 4×10 | TORNILLO 4×10 |
| 25 | 43301903933 | 2 | NUT, FLANGE 6 | TUERCA-BRIDA 6 |
| 26 | C304000000 | 1 | SPIKE, BUMPER | PARAGOLPES CON PÚAS |
| 27 | 90025305020 | 1 | SCREW 5×20 | TORNILLO 5×20 |
| 28 | 90025305020 | 1 | SCREW 5×20 | TORNILLO 5×20 |
| 29 | 43302635430 | 1 | CHAIN CATCHER | CAPTURADOR DE CADENA |



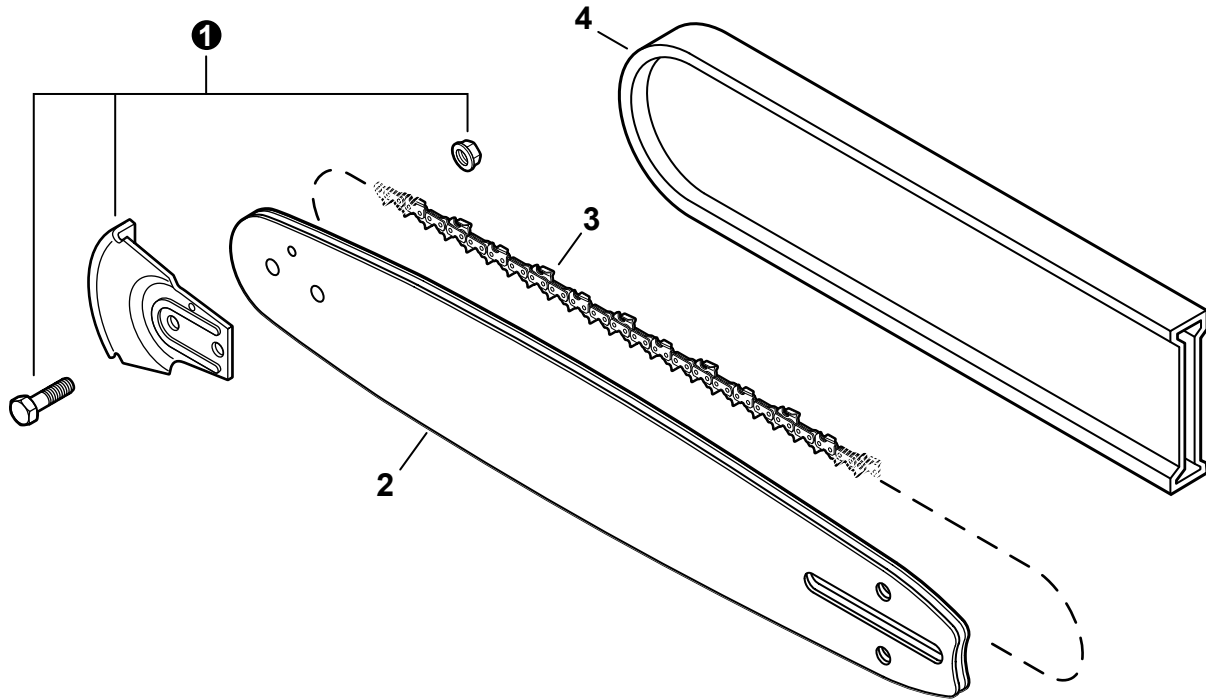
| NO. | PART NUMBER | QTY. | DESCRIPTION | DESCRIPCIÓN |
|-----|-------------|------|-----------------------------|---|
| 1 | A190000793 | 1 | COVER ASSY, ENGINE - ORANGE | MONTAJE DE CUBIERTA DEL MOTOR - NARANJA |
| 2 | 43611413930 | 1 | +VENT ASSY | +VÁLVULA DE RESPIRADERO |
| 3 | 90072400004 | 1 | +O-RING S-4 | +JUNTA TÓRICA S-4 |
| 4 | V224000031 | 2 | +BOLT, STUD 6 | +PERNO PRISIONERO 6 |
| 5 | 90010605020 | 2 | BOLT 5×20 | PERNO 5×20 |
| 6 | 16391130130 | 1 | PLUG | TAPÓN |
| 7 | 90010605030 | 2 | BOLT 5×30 | PERNO 5×30 |



| NO. | PART NUMBER | QTY. | DESCRIPTION | DESCRIPCIÓN |
|-----|-------------------|------|--------------------------|---|
| 1 | 17501439131 | 1 | WASHER 10.2×24.5×1.2 | ARANDELA 10.2×24.5×1.2 |
| 2 | V555000170 | 1 | BEARING, NEEDLE 10 | COJINETE DE AGUJAS 10 |
| 3 | 17500539133 | 1 | DRUM, CLUTCH 3/8" | TAMBOR EMBRAGUE 3/8" |
| 4 | A551000010 | 1 | PLATE, CLUTCH | PLACA DE EMBRAGUE |
| 5 | A056000070 | 1 | CLUTCH ASSY | MONTAJE DE EMBRAGUE |
| 6 | V451000470 | 3 | +SPRING, CLUTCH | +RESORTE DE EMBRAGUE |
| 7 | P021005810 | 1 | +SHOE SET, CLUTCH (3PCS) | +JUEGO DE ZAPATA DE EMBRAGUE (Cantidad 3) |
| 8 | A552000020 | 1 | +HUB, CLUTCH | +CUBO DEL EMBRAGUE |

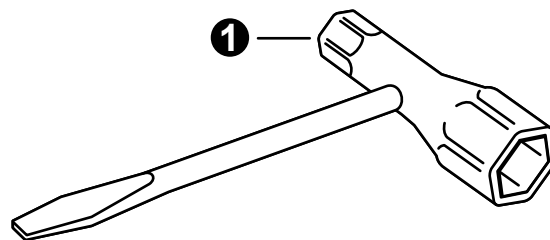


| NO. | PART NUMBER | QTY. | DESCRIPTION | DESCRIPCIÓN |
|-----|-------------|------|----------------------|---------------------------------|
| 1 | 89022839131 | 1 | LABEL, CAUTION | ETIQUETA DE PRECAUCIÓN |
| 2 | X524004720 | 1 | LABEL, BAR & CHAIN | ETIQUETA - BARRA Y CADENA |
| 3 | X524004730 | 1 | LABEL, BAR & CHAIN | ETIQUETA - BARRA Y CADENA |
| 4 | X502000340 | 1 | LABEL, ECHO | ETIQUETA ECHO |
| 5 | X505002062 | 1 | LABEL, WARNING | ETIQUETA ADVERTENCIA |
| 6 | X505002071 | 1 | LABEL, WARNING | ETIQUETA ADVERTENCIA |
| 7 | X505002310 | 1 | LABEL, CAUTION - HOT | ETIQUETA DE PRECAUCIÓN CALIENTE |
| 8 | X524001450 | 1 | LABEL | ETIQUETA |
| 9 | X502000620 | 1 | LABEL, ECHO | ETIQUETA ECHO |
| 10 | X505006660 | 1 | LABEL, CAUTION | ETIQUETA DE PRECAUCIÓN |
| 11 | X503006710 | 1 | LABEL, MODEL | ETIQUETA MODELO |
| 12 | X503006550 | 1 | LABEL, MODEL | ETIQUETA MODELO |



| NO. | PART NUMBER | QTY. | DESCRIPTION | DESCRIPCIÓN |
|-----|-------------|------|-----------------------------|----------------------------------|
| 1 | 2894901 | 1 | KICK GUARD KIT | PROTECTORAS DE PUNTA DE BARRA |
| 2 | 12A0CD3745 | 1 | GUIDE BAR, 12" DOUBLE-GUARD | BARRA DE GUÍA 30 cm DOUBLE-GUARD |
| 2 | 14A0CD3752 | 1 | GUIDE BAR, 14" DOUBLE-GUARD | BARRA DE GUÍA 35 cm DOUBLE-GUARD |
| 2 | 16A0CD3757 | 1 | GUIDE BAR, 16" DOUBLE-GUARD | BARRA DE GUÍA 40cm DOUBLE-GUARD |
| 3 | 91PX45CQ | 1 | SAW CHAIN 12" XtraGUARD | CADENA 30cm XtraGUARD |
| 3 | 91PX52CQ | 1 | SAW CHAIN 14" XtraGUARD | CADENA 35 cm XtraGUARD |
| 3 | 91PX57CQ | 1 | SAW CHAIN 16" | CADENA 40cm |
| 4 | 99988801595 | 1 | SCABBARD | FUNDA |

Tools
Herramientas



| NO. | PART NUMBER | QTY. | DESCRIPTION | DESCRIPCIÓN |
|-----|-------------|------|------------------|--------------------|
| 1 | 89541039132 | 1 | T-WRENCH 10×19mm | LLAVE EN T 10×19mm |

| NO. | PART NUMBER | QTY. | DESCRIPTION | DESCRIPCIÓN |
|-----|-------------|------|----------------------------------|--|
| 1 | 90159 | 1 | TUNE-UP KIT - REPOWER | JUEGO DE PUESTA A PUNTO - REPOWER |
| 2 | A226000291 | 1 | +FILTER, AIR | +FILTRO DE AIRE |
| 3 | 13120514931 | 1 | +FILTER, FUEL | +FILTRO DE COMBUSTIBLE |
| 4 | A425000000 | 1 | +SPARK PLUG - BPMR8Y | +BUJÍA BPMR8Y |
| 5 | 90015 | 1 | PIPE, BULK - REPOWER 3×6mm BLACK | TUBO REPOWER AL POR MAYOR 3×6mm NEGRO |
| 6 | 90014 | 1 | PIPE, BULK - REPOWER 3×5mm BLACK | TUBO REPOWER AL POR MAYOR 3×5mm NEGRO |
| 7 | 99944440000 | 1 | ROPE, STARTER - REPOWER BULK Ø3 | CUERDA DEL ARRANCADOR REPOWER AL POR MAYOR |