



OPTIONAL ATTACHMENTS & ACCESSORIES

Accessories

X490000050 Guide Bar Cover - 12"

X490000060 Guide Bar Cover - 10"

X490000220 Guide Bar Cover - 14"

Guide Bars

10A0CD3739 Guide Bar - 10" (.050" Ga)

10A4CD3739 Guide Bar - 10" (.043" Ga)

12A0CD3744 Guide Bar - 12" (.050" Ga)

12A4CD3744 Guide Bar - 12" (.043" Ga)

14A0CD3749 Guide Bar - 14" (.050" Ga)

14A4CD3749 Guide Bar - 14" (.043" Ga)

Maintenance and Repair Kits

90010 RePower Cap & Vent Kit

90074 RePower Tune-Up Kit

90105 RePower Fuel System Kit

P021011000 Gasket Kit

Sawing Chains

90S39CQ Sawing Chain - 10" (.043" Ga)

90S44CQ Sawing Chain - 12" (.043" Ga)

90S49CQ Sawing Chain - 14" (.043" Ga)

91VX39CQ Sawing Chain - 10" (.050" Ga)

91VX44CQ Sawing Chain - 12" (.050" Ga)

91VX49CQ Sawing Chain - 14" (.050" Ga)

PARTS CATALOG

PPT-265S Power Pruner

25.4cc

SERIAL NUMBERS

S/N: E10011001001 - E10011999999

ECHO, INCORPORATED

400 Oakwood Road Lake Zurich, Illinois 60047 USA

WWW.ECHO-USA.COM



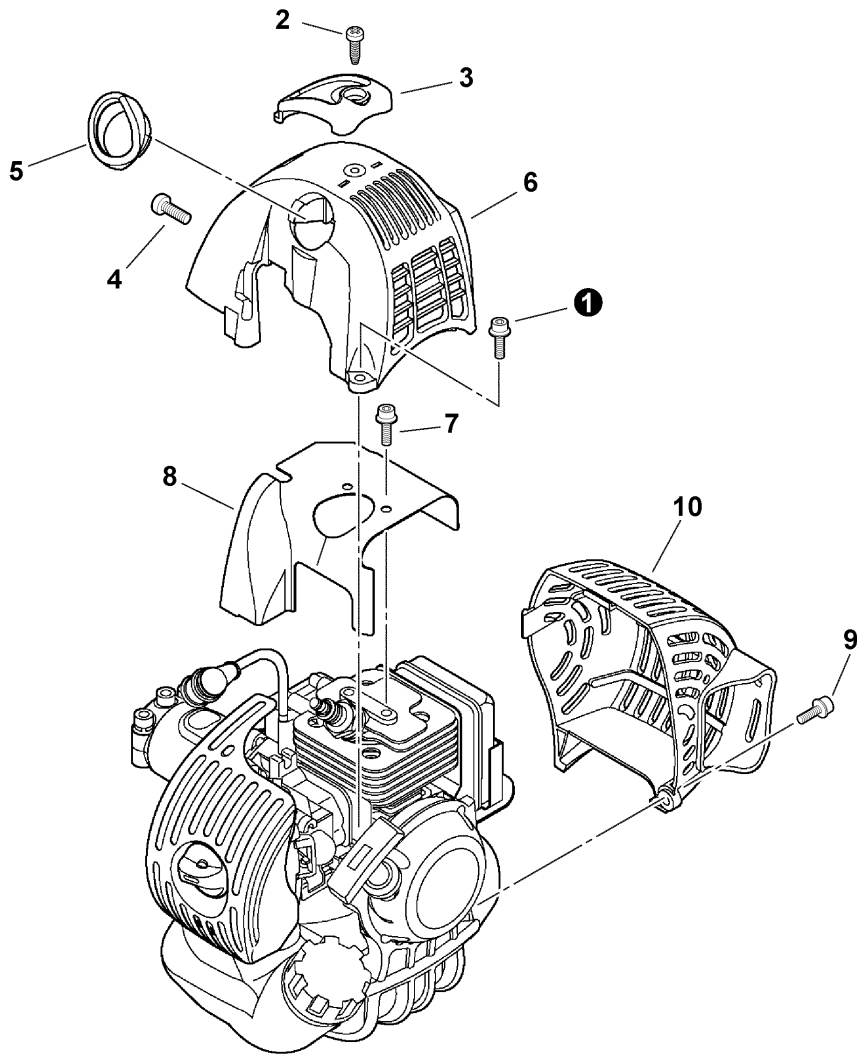
Table of Contents

Click Any Diagram Description Below To View That Diagram.

PPT-265S S/N: E10011001001 - E10011999999

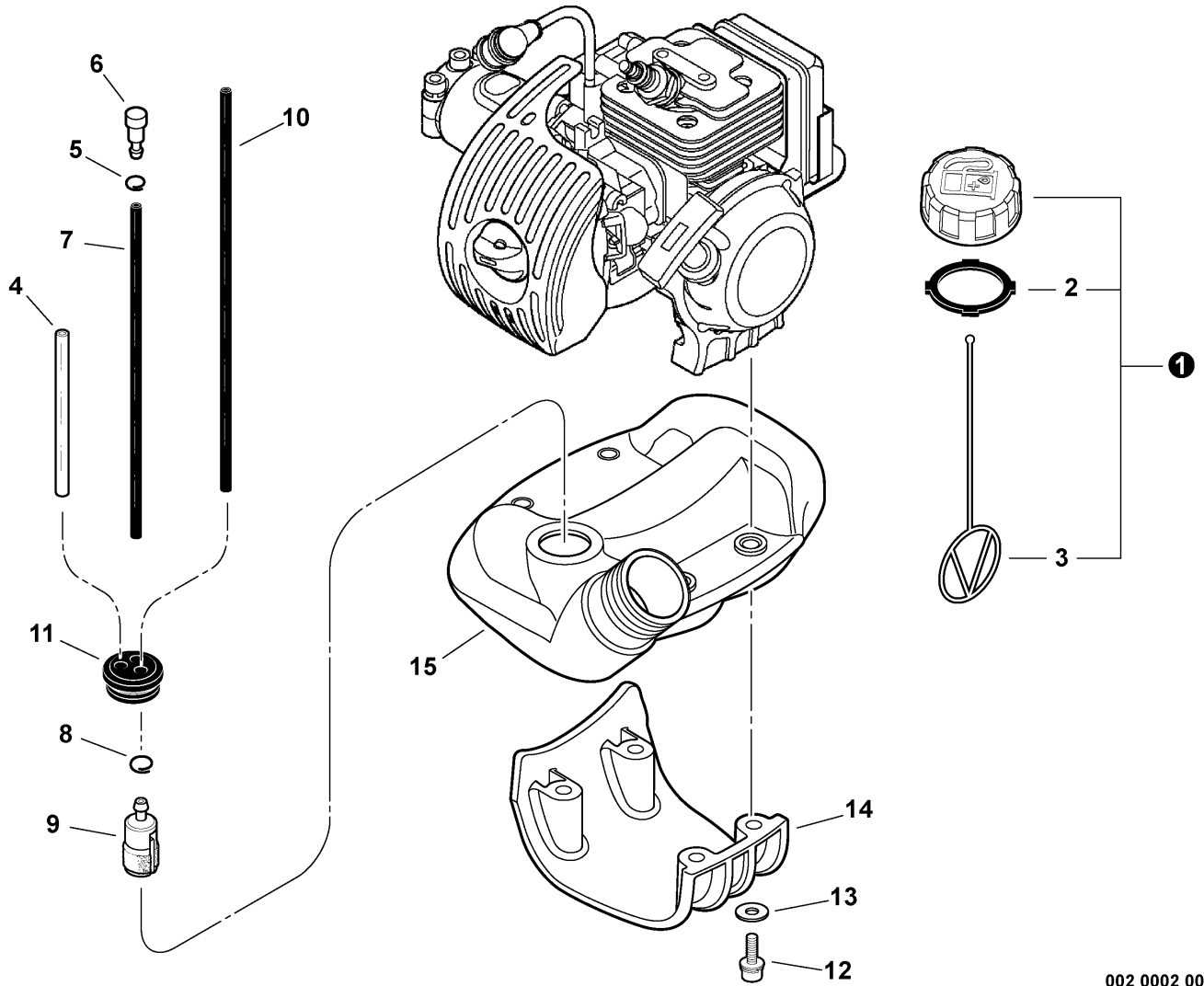
Covers.....	4
Fuel System.....	6
Fan Case, Clutch.....	8
Starter -- i-30.....	10
Intake.....	12
Carburetor -- RB-K84.....	14
Exhaust.....	16
Ignition, Flywheel.....	18
Engine, Short Block -- SB1090.....	20
Gear Case, Auto-Oiler.....	22
Guide Bar, Sawing Chain, Guide Bar Cover.....	24
Main Pipe -- Upper.....	26
Main Pipe -- Lower S/N: E10011001001 - E10011001030.....	28
Main Pipe -- Lower S/N: E10011001031 - E10011999999.....	30
Throttle Control, Pipe Asy.....	32
Shoulder Strap.....	34
Labels.....	36
Part Number Index.....	38
Part Description Index.....	39

This Page Intentionally Left Blank



001 0001 000

ITEM	PART NUMBER	QTY	DESCRIPTION	REMARKS
1	90010605014	1	SCREW - 5X14	
2	90025605016	1	SCREW - 5X16	
3	A162000100	1	GUARD, TOP	
4	9114005012	1	SCREW - 5X12	
5	A162000080	1	SEAL, DUST	
6	A160000780	1	COVER, ENGINE	
7	90010605008	2	SCREW - 5X8	
8	A160000691	1	SHIELD, CYLINDER	
9	90010605014	1	SCREW - 5X14	
10	A320000341	1	COVER, EXHAUST	

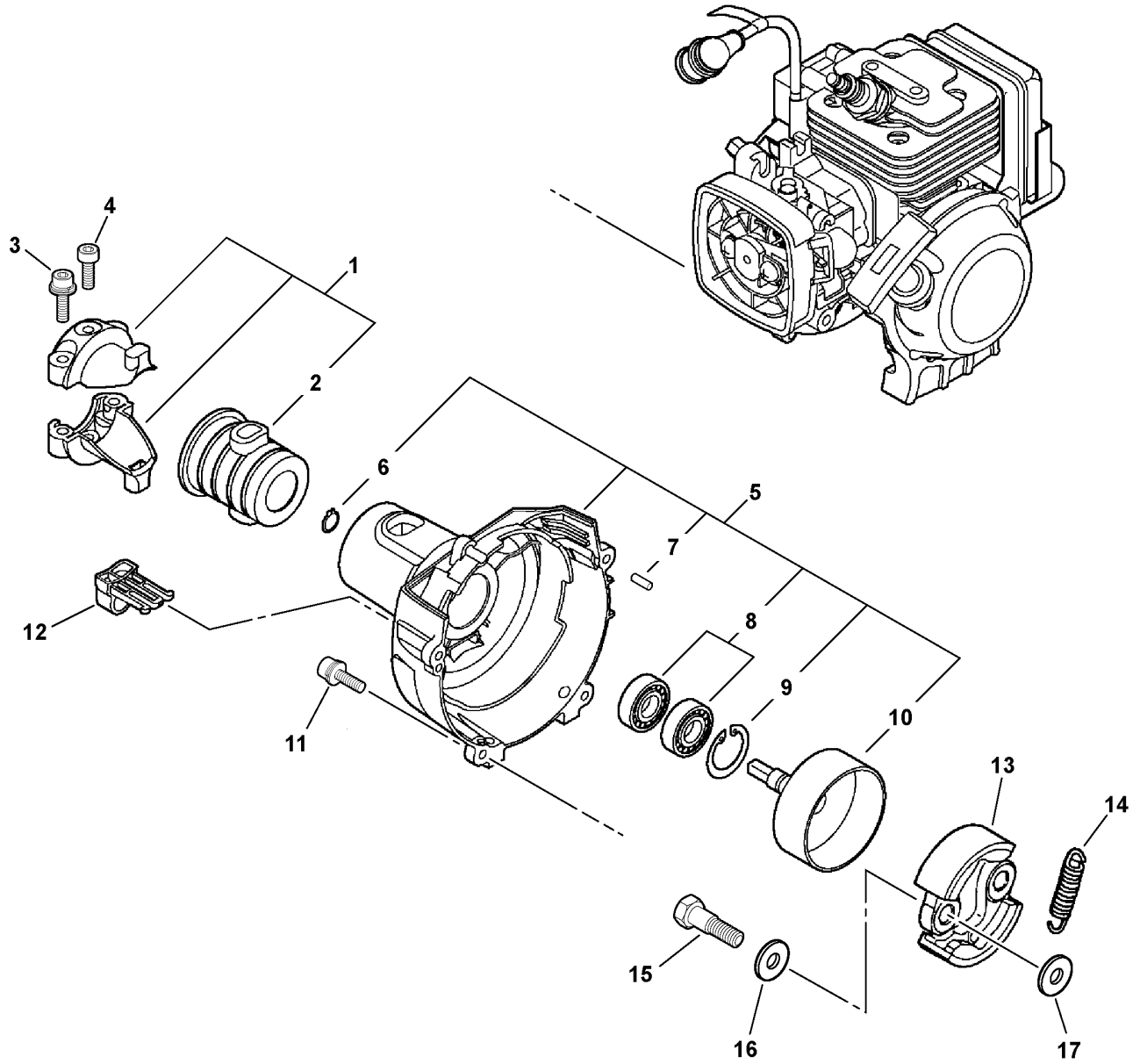


002 0002 00B

ITEM	PART NUMBER	QTY	DESCRIPTION	REMARKS
1	13100455530	1	CAP ASY - ORANGE	Includes ITEMS 2-3
2	13101655830	1	GASKET	
3	13105156030	1	CONNECTOR, CAP	
4	13201040830	1	PIPE - 3X6X75 -- CLEAR	REPOWER BULK OPTION: 90017
5	13201326630	1	CLIP	
6	A356000030	1	VENT ASY	
7	V471001180	1	PIPE, VENT - 3X6X35mm	REPOWER BULK OPTION: 90015
8	13201309820	1	CLIP	
9	A369000000	1	FILTER, FUEL ¹	
10	V470000580	1	PIPE - 3X5X195	REPOWER BULK OPTION: 90014
11	13211555930	1	GROMMET	
12	90016205025	4	SCREW - 5X25	
13	90060300005	4	WASHER - 5	
14	A175000030	1	GUARD, FUEL TANK	
15	P021013640	1	FUEL TANK ASY	

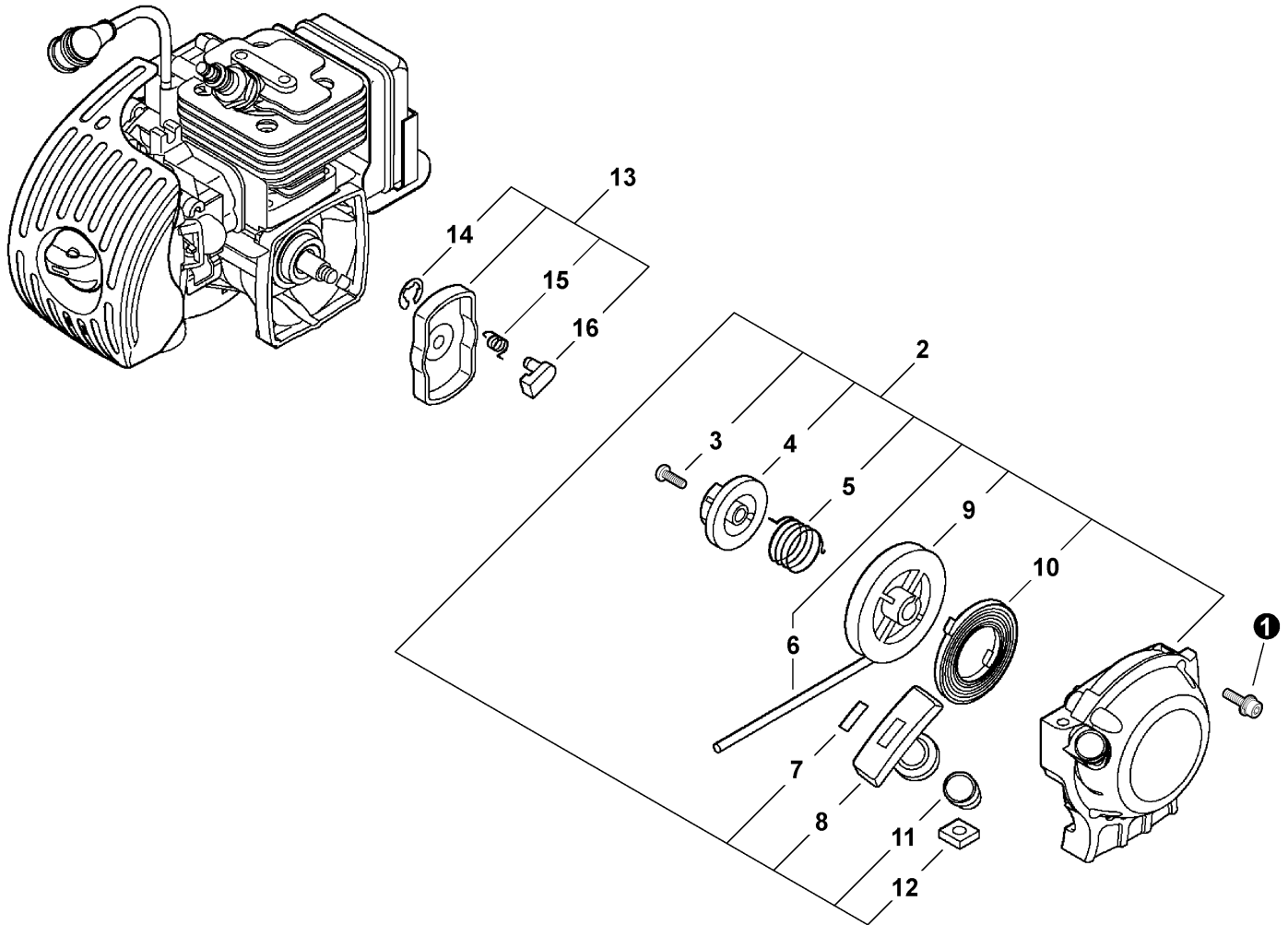
Footnotes

1: Also Included In REPOWER TUNE-UP KIT



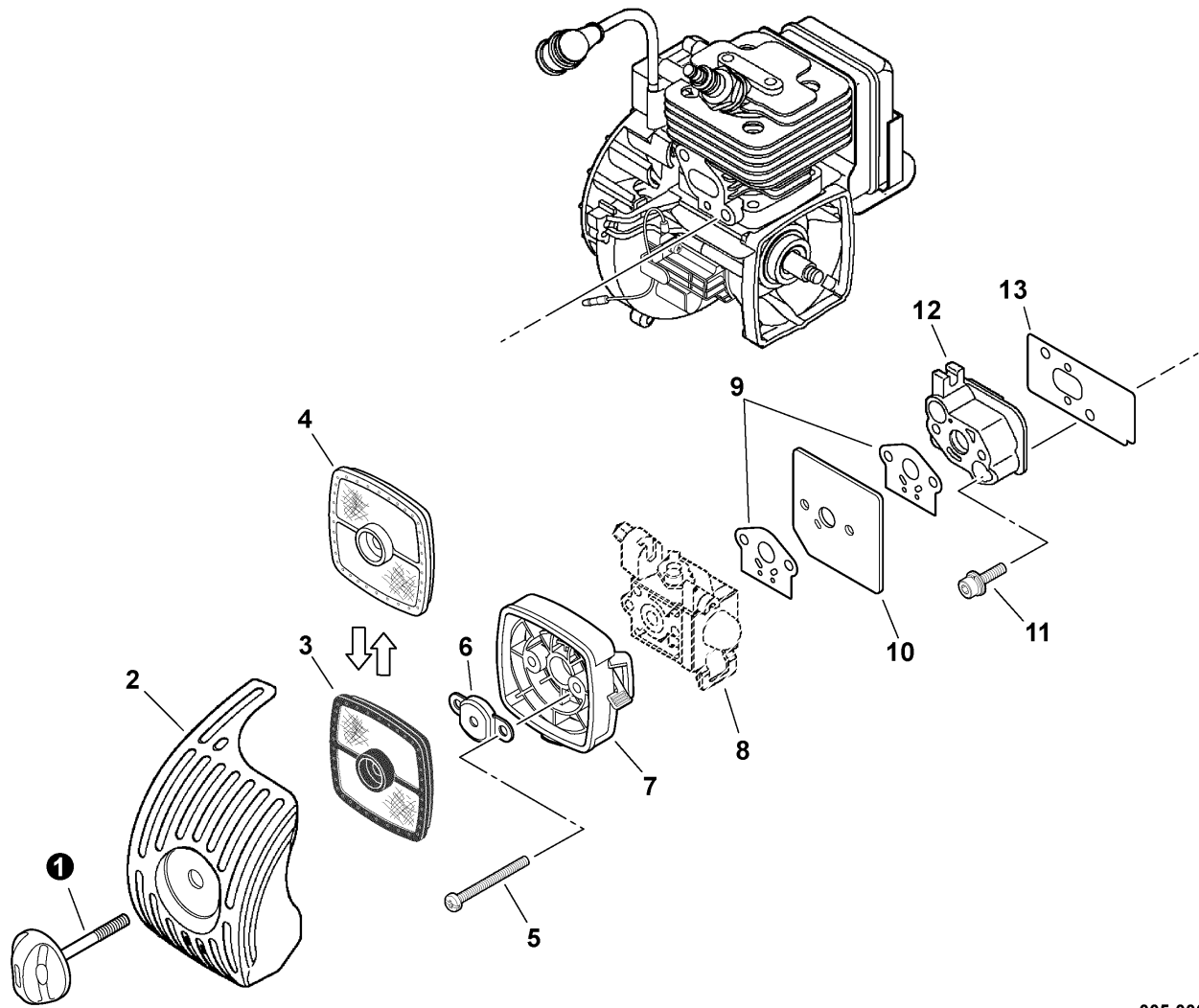
003 0001 00P

ITEM	PART NUMBER	QTY	DESCRIPTION	REMARKS
1	P021009380	1	MAIN PIPE FIXTURE KIT	INCLUDES ITEM 2
2	V420001081	1	CUSHION	
3	90016205025	2	SCREW - 5X25	
4	90010505012	1	SCREW - 5X12	
5	P021013760	1	FAN CASE ASY	INCLUDES ITEMS 6-10
6	90070100012	1	RING, RETAINING - 12	
7	V622000020	2	PIN, DOWEL	
8	90080796001	2	BEARING, BALL - 6001	
9	90070200028	1	RING, RETAINING - 28	
10	A556000280	1	DRUM, CLUTCH	
11	90016304016	4	SCREW - 4X16	
12	V491000180	1	CLIP	
13	A553000010	2	SHOE, CLUTCH	
14	V451000400	1	SPRING, CLUTCH	
15	17504656030	2	BOLT, CLUTCH	
16	17504956030	2	WASHER - SPRING	
17	17504805530	2	WASHER - 6	



004 0001 000

ITEM	PART NUMBER	QTY	DESCRIPTION	REMARKS
1	90016304016	4	SCREW - 4X16	
2	A051000940	1	STARTER ASY	INCLUDES ITEMS 3-12
3	17723661830	1	SCREW	
4	P022008280	1	PLATE, CAM	
5	P022008270	1	SPRING, DAMPER	
6	P022008260	1	ROPE, STARTER - 3X700	REPOWER BULK OPTION: 99944440000
7	17724611120	1	RETAINER, ROPE	
8	17722827030	1	GRIP, STARTER	
9	P022006830	1	PULLEY	
10	17722042030	1	SPRING, REWIND	
11	17722742030	1	GUIDE, ROPE	
12	90056500005	4	NUT - 5 -- SQUARE	
13	A052000180	1	STARTER PAWL ASY	INCLUDES ITEMS 14-16
14	P022002100	2	RING, RETAINING - 4	
15	17723412220	2	SPRING, RETURN	
16	P022006850	2	PAWL	

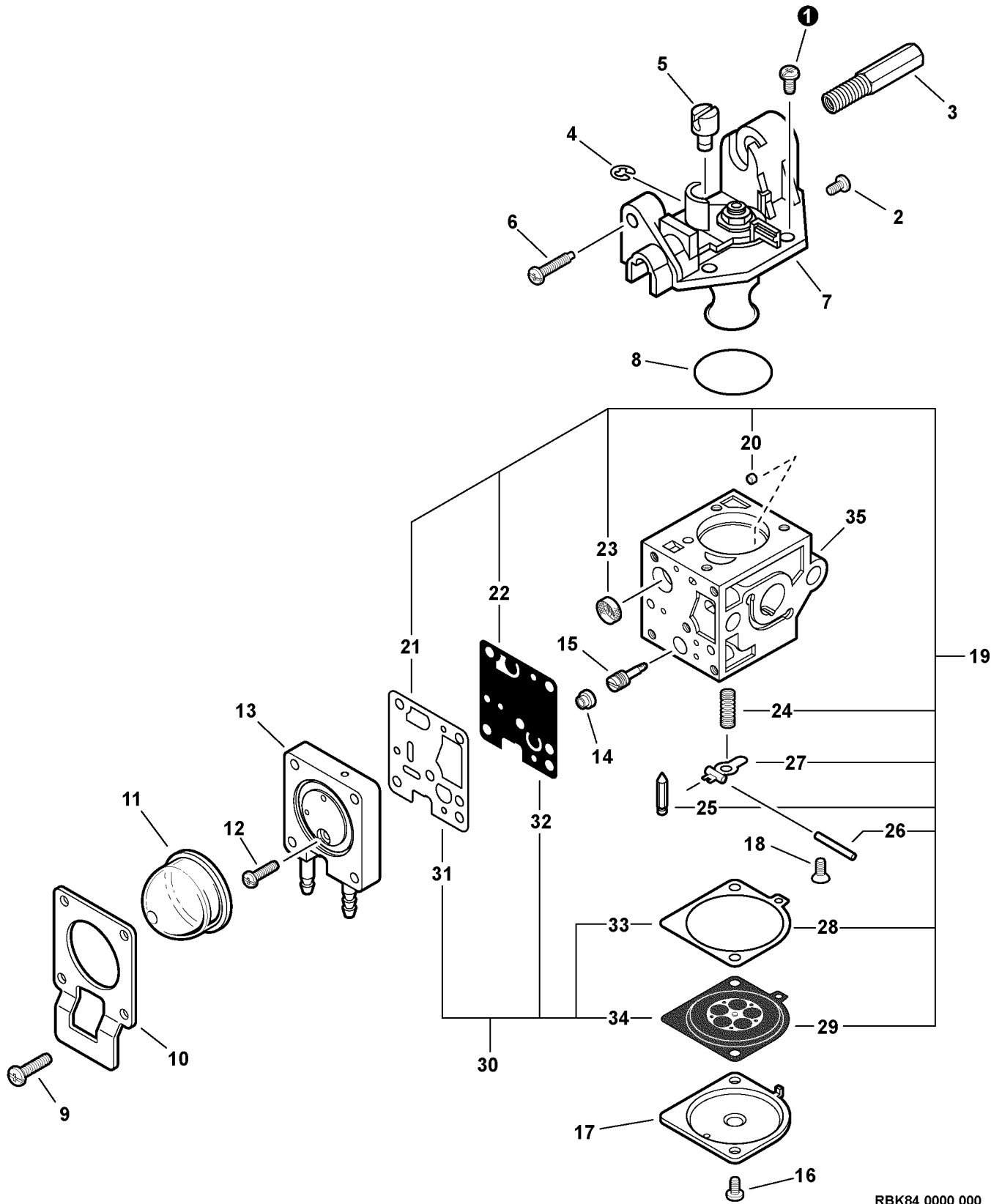


005 0001 000

ITEM	PART NUMBER	QTY	DESCRIPTION	REMARKS
1	V299000250	1	THUMBSCREW	
2	A232000330	1	COVER, AIR CLEANER	
3	A226001410	1	FILTER, AIR - DOUBLE LAYER ¹	
4	13031054130	1	FILTER, AIR - SINGLE LAYER ²	
5	90024205065	2	SCREW - 5X65	
6	12901152730	1	PLATE, PREVENT	
7	P021004480	1	CASE, AIR CLEANER - BLACK	
8	-----	1	CARBURETOR ³	
9	V103000270	2	GASKET, INTAKE ¹	
10	A209000140	1	PLATE, INSULATOR	
11	90016205025	2	SCREW - 5X25	
12	A200000200	1	INSULATOR, INTAKE	
13	V103000210	1	SHIELD, INTAKE ¹	

Footnotes

- 1:** Also Included In GASKET KIT
- 2:** OPTIONAL
- 3:** See Carburetor Diagram For Details

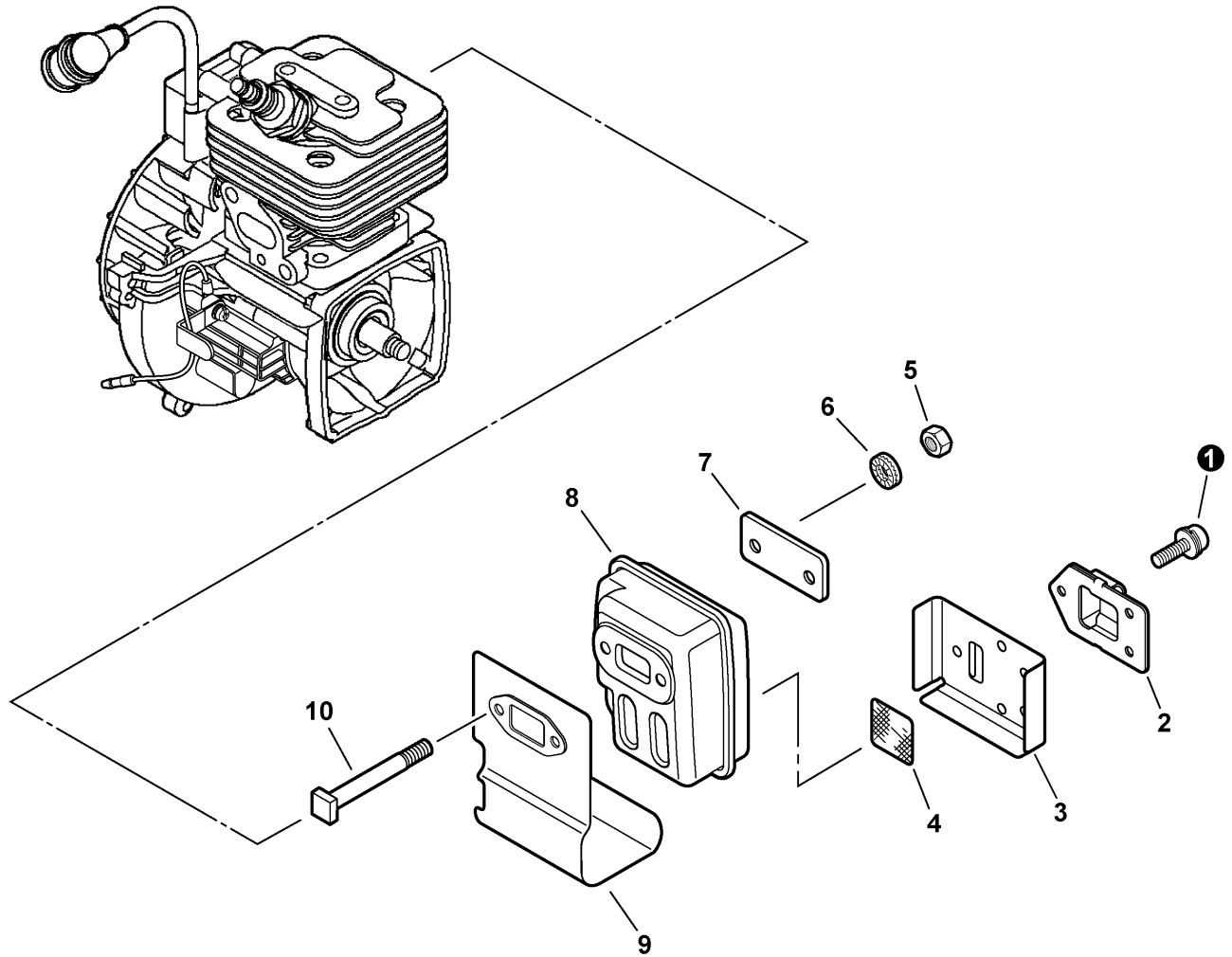


RBK84 0000 000

ITEM	PART NUMBER	QTY	DESCRIPTION	REMARKS
	A021001200	1	CARBURETOR -- RB-K84	
1	12534413931	3	SCREW	
2	12534452130	1	SCREW	
3	P005001330	1	SCREW, CABLE ADJUST	
4	P005000190	1	RING, RETAINING	
5	P005001240	1	SWIVEL	
6	P005000100	1	SCREW, IDLE ADJUST	
7	P005001980	1	ROTOR COVER ASY	
8	P005000280	1	O-RING	
9	P005001900	4	SCREW, PURGE BULB RETAINER	
10	P005000250	1	RETAINER, PURGE BULB	
11	12538108660	1	BULB, PURGE	
12	P005000270	1	SCREW, PURGE BASE	
13	P005001890	1	BASE, PURGE	
14	P005001270	1	CAP, LIMITER	
15	P005001290	1	NEEDLE - HIGH SPEED	
16	12534452130	2	SCREW	
17	12534252130	1	COVER, DIAPHRAGM	
18	12533942030	1	SCREW, METERING LEVER PIN	
19	P005001990	1	REPAIR KIT	Includes ITEMS 20-29
20	P005001000	1	GUIDE, ROLLER	
21	-----	1	GASKET, PUMP	
22	-----	1	DIAPHRAGM, PUMP	
23	-----	1	STRAINER	
24	-----	1	SPRING, METERING LEVER	
25	-----	1	VALVE, INLET NEEDLE	
26	-----	1	PIN, METERING LEVER	
27	-----	1	LEVER, METERING	
28	-----	1	GASKET, DIAPHRAGM	
29	-----	1	DIAPHRAGM, METERING	
30	P005001660	1	DIAPHRAGM/GASKET KIT	Includes ITEMS 31-34
31	-----	1	GASKET, PUMP	
32	-----	1	DIAPHRAGM, PUMP	
33	-----	1	GASKET, DIAPHRAGM	
34	-----	1	DIAPHRAGM, METERING	
35	-----	1	BODY, CARBURETOR ¹	

Footnotes

1: NOT AVAILABLE SEPARATELY

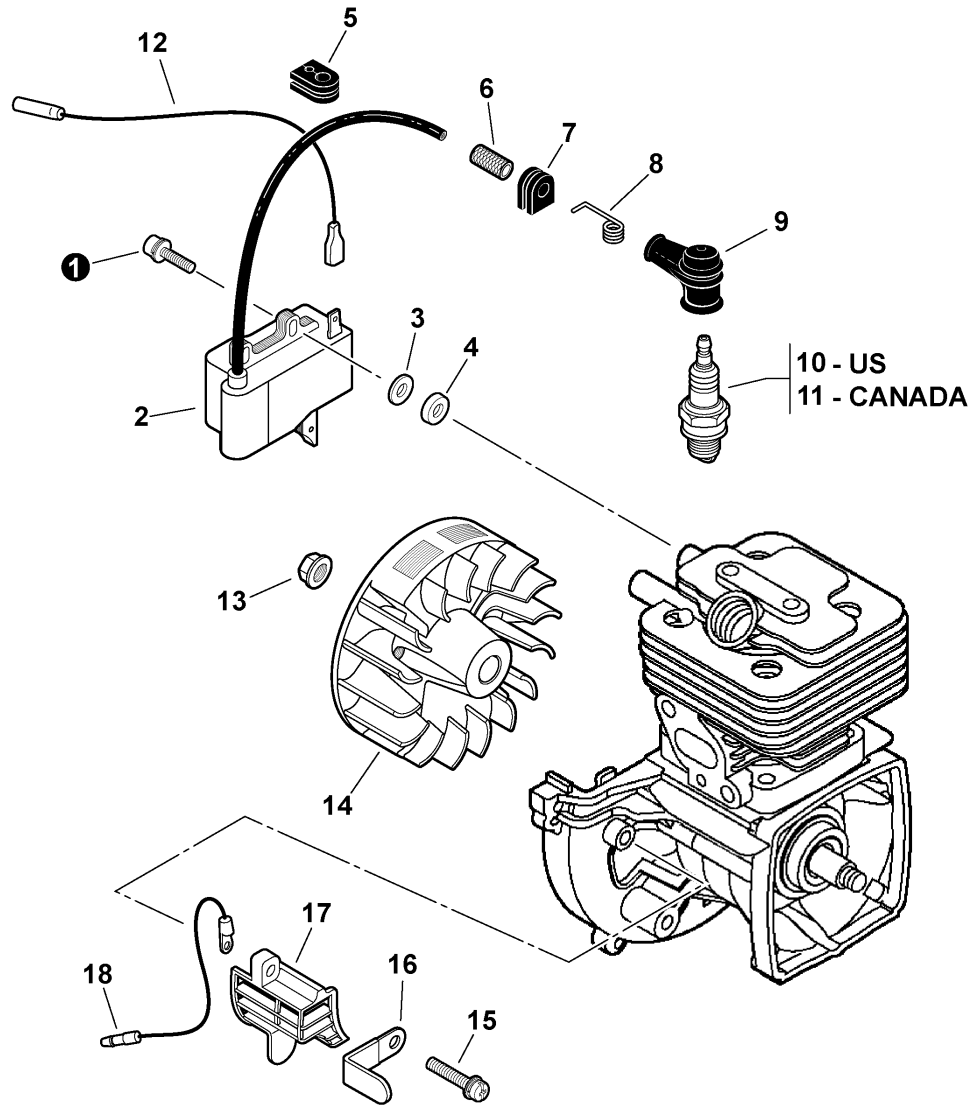


006 0001 000

ITEM	PART NUMBER	QTY	DESCRIPTION	REMARKS
1	9136704012	3	SCREW - 4X12	
2	A313000830	1	GUIDE, EXHAUST	
3	V104000790	1	GASKET, EXHAUST ¹	
4	14586240630	1	SCREEN, SPARK ARRESTER	
5	90050000005	2	NUT	
6	9228005000	2	LOCKWASHER	
7	V150001760	1	PLATE	
8	A300000670	1	MUFFLER	
9	V104000780	1	SHIELD, EXHAUST ¹	
10	V203000120	2	BOLT - 5	

Footnotes

1: Also Included In GASKET KIT

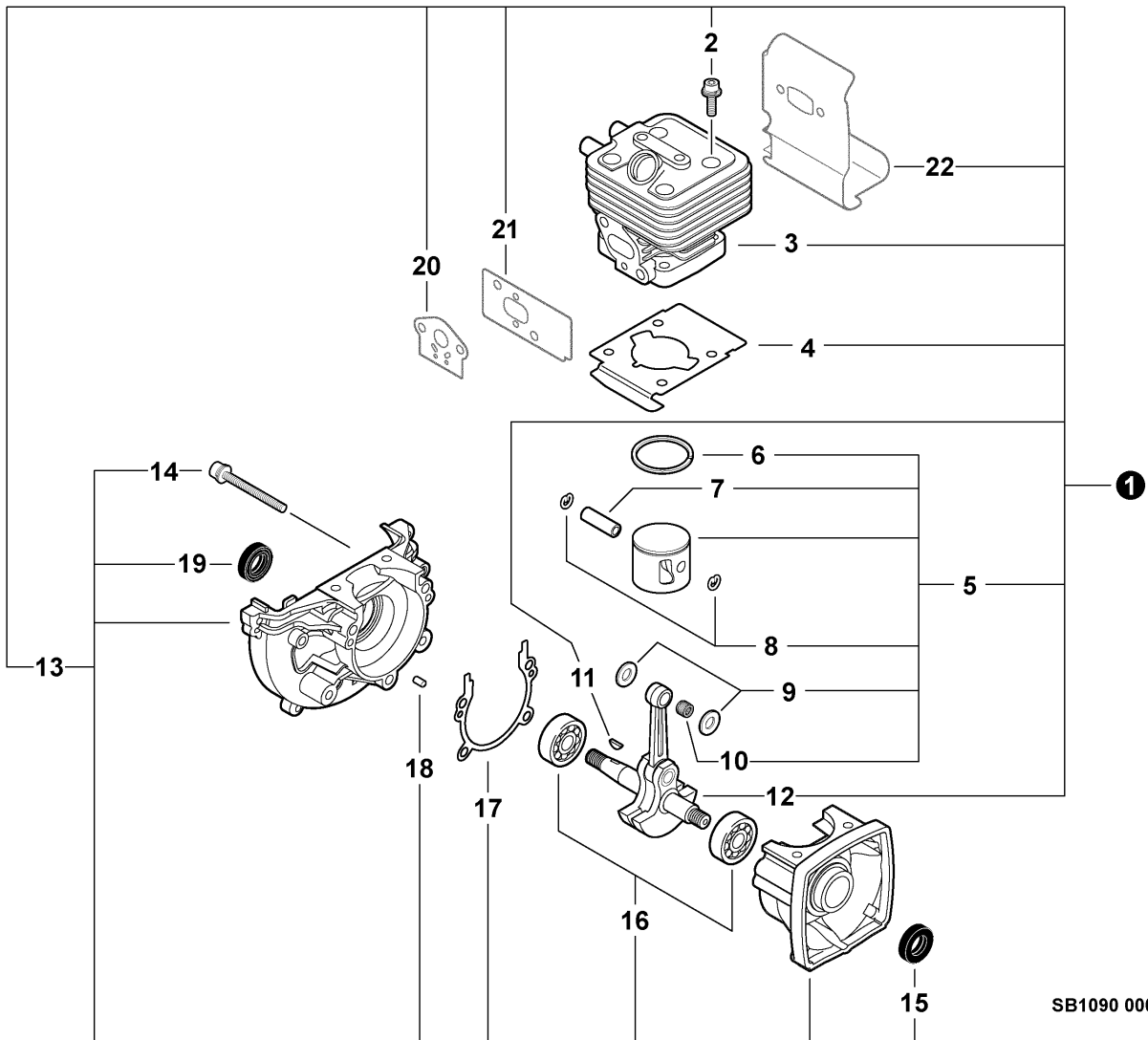


007 0001 000

ITEM	PART NUMBER	QTY	DESCRIPTION	REMARKS
1	V202000130	2	SCREW - 4	
2	A411000251	1	COIL, IGNITION	
3	90060300004	2	WASHER	
4	V322000031	2	INSULATOR	
5	V135000030	1	GROMMET	
6	V475003380	1	INSULATOR	
7	15611004920	1	GROMMET	
8	A426000010	1	TERMINAL, SPARK PLUG CAP	
9	A427000013	1	CAP, SPARK PLUG	
10	15901019830	1	SPARK PLUG -- BPM-8Y ¹	
11	A425000000	1	SPARK PLUG -- BPMR-8Y ¹	CANADA MODELS
12	16201004561	1	LEAD - IGNITION	
13	90051500008	1	NUT - 8 -- FLANGE	
14	A409000310	1	FLYWHEEL	
15	90016205016	1	SCREW - 5X16	
16	15911621231	1	CLAMP	
17	A127000160	1	COVER, DEBRIS	
18	15663543130	1	LEAD - GROUND	

Footnotes

1: Also Included In REPOWER TUNE-UP KIT

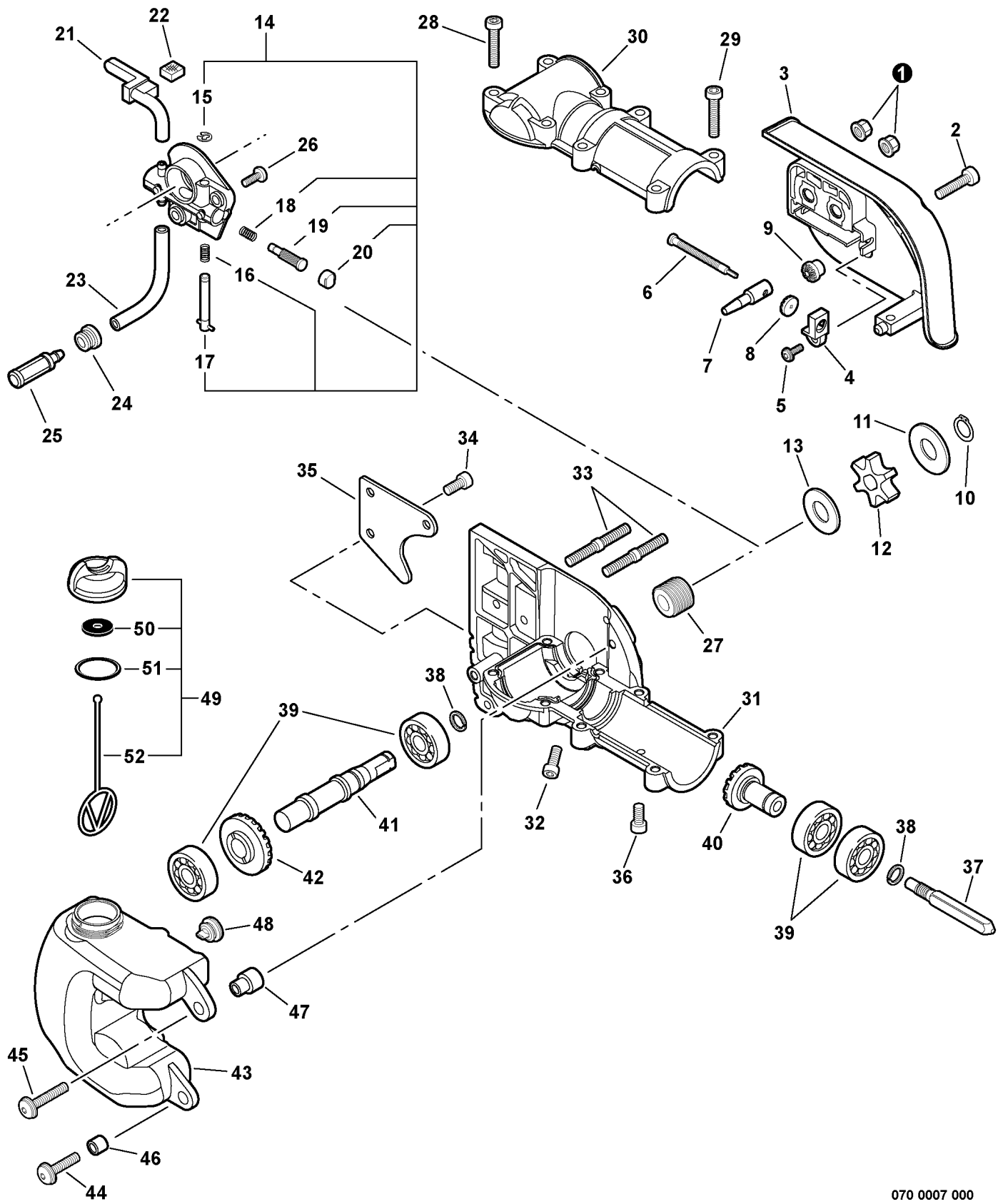


SB1090 0000 000

ITEM	PART NUMBER	QTY	DESCRIPTION	REMARKS
1	SB1090	1	SHORT BLOCK -- SB1090	INCLUDES ITEMS 2-22
2	90016205025	4	SCREW - 5X25	
3	A130000761	1	CYLINDER	
4	V100000210	1	GASKET, CYLINDER ¹	
5	P021009771	1	PISTON KIT	INCLUDES ITEMS 6-10
6	A101000170	1	RING, PISTON	
7	10001335430	1	PIN, PISTON	
8	10001503931	2	RING, RETAINING	
9	10001453630	2	SPACER, PISTON	
10	10001216131	1	BEARING, NEEDLE	
11	10014212330	1	KEY, WOODRUFF	
12	A011000434	1	CRANKSHAFT ASY	
13	P021010801	1	CRANKCASE KIT	INCLUDES ITEMS 14-19
14	90016205028	3	SCREW - 5X28	
15	V505000050	1	SEAL, OIL	
16	9403536201	2	BEARING, BALL - 6201	
17	10024242030	1	GASKET, CRANKCASE ¹	
18	V622000020	2	PIN, DOWEL	
19	10021242031	1	SEAL, OIL	
20	-----	1	GASKET, INTAKE ¹	See Pages "Intake"
21	-----	1	GASKET, INTAKE ¹	See Pages "Intake"
22	-----	1	SHIELD, EXHAUST ¹	See Pages "Exhaust"

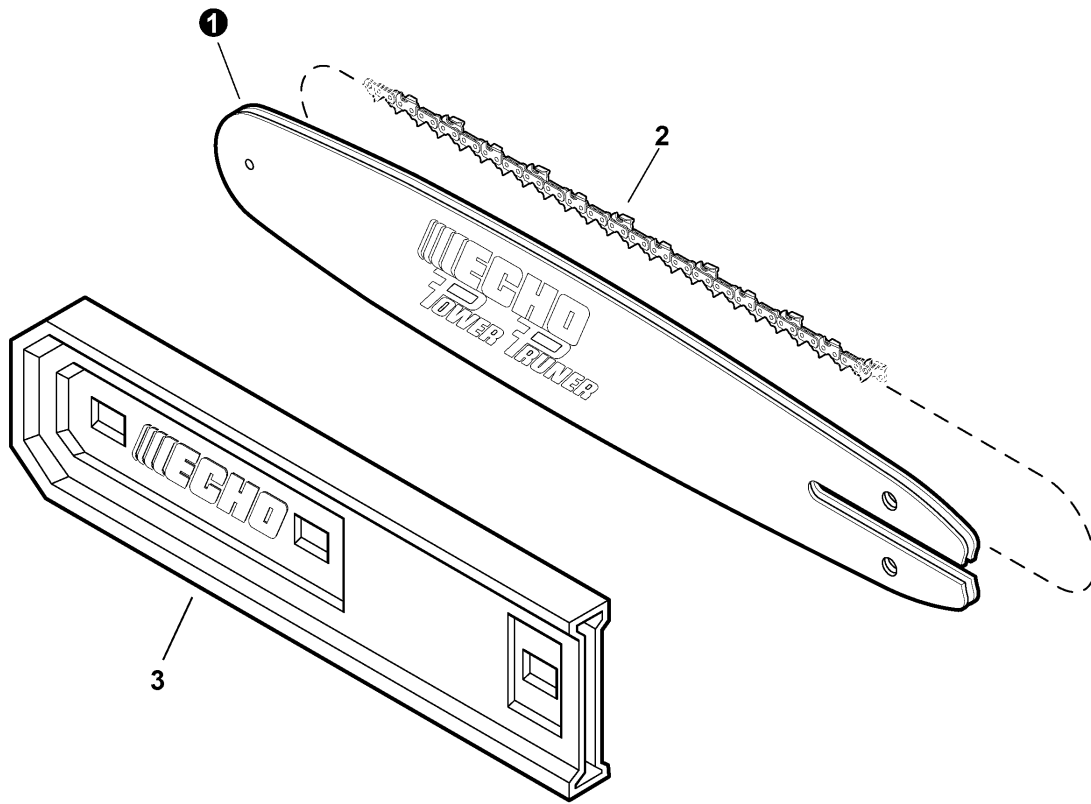
Footnotes

1: Also Included In GASKET KIT



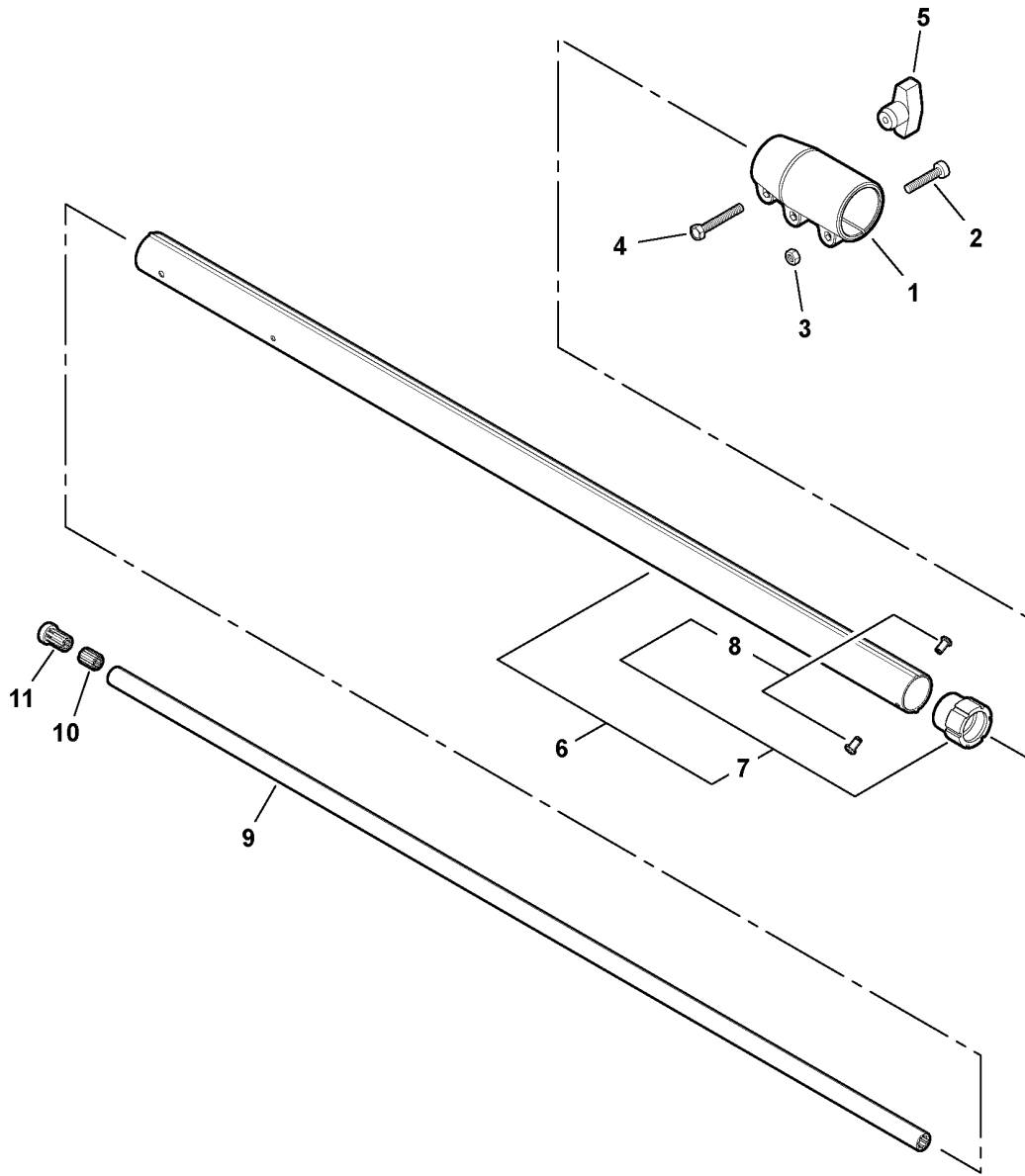
070 0007 000

ITEM	PART NUMBER	QTY	DESCRIPTION	REMARKS
1	43301903933	2	NUT - 6 -- FLANGE	
2	V253000180	1	SCREW - 5X20	
3	C300000361	1	GUARD, SPROCKET	
4	V355000140	1	BRACKET, TENSIONER	
5	V252000040	1	SCREW - 4X8	
6	V203000041	1	SCREW, TENSIONER	
7	C309000030	1	TENSIONER, CHAIN	
8	V651000310	1	GEAR - 14 TOOTH	
9	V651000320	1	GEAR - 14 TOOTH	
10	V583000090	1	RING, RETAINING	
11	V307000160	1	WASHER - 10	
12	C580000070	1	SPROCKET, DRIVE	
13	17501439131	1	WASHER	
14	C022000010	1	AUTO-OILER ASY	INCLUDES ITEMS 15-20
15	12532715130	1	RING, RETAINING	
16	P022010670	1	SPRING	
17	P022010680	1	NEEDLE, ADJUST	
18	P022010660	1	SPRING	
19	P022010650	1	PLUNGER	
20	P022010640	1	CAP, OIL PUMP	
21	V470000180	1	PIPE, OIL OUTLET	
22	43724439130	1	PAD, FOAM	
23	13011014330	1	PIPE - 3X6X75mm	REPOWER BULK OPTION: 90015
24	13211501461	1	GROMMET	
25	43620502832	1	FILTER, OIL	
26	V253000200	2	SCREW - 5X10	
27	V652000021	1	GEAR, WORM	
28	V253000240	4	SCREW - 5X25	
29	90010505025	4	SCREW - 5X25	
30	C531000030	1	CASE, GEAR - UPPER	
31	C531000430	1	CASE, GEAR - LOWER	
32	V253000200	1	SCREW - 5X10	
33	V224000040	2	STUD, GUIDE BAR	
34	V253000200	3	SCREW - 5X10	
35	C649000140	1	HOOK	
36	90010505010	1	SCREW - 5X10	
37	61002522361	1	CONNECTOR, SHAFT	
38	90070600012	2	RING, RETAINING - 12	
39	9404206001	4	BEARING, BALL - 6001	
40	V651000210	1	GEAR, BEVEL - 15 TOOTH	
41	C534000430	1	GEAR, SHAFT	
42	V651000201	1	GEAR, BEVEL - 23 TOOTH	
43	C200000080	1	TANK, OIL	
44	V253000230	2	SCREW - 5X20	
45	V253000240	1	SCREW - 5X25	
46	13104528230	2	COLLAR	
47	V354000010	1	SPACER	
48	13131406320	1	VENT ASY	
49	P021014940	1	CAP ASY - ORANGE	INCLUDES ITEMS 50-52
50	43601237830	1	WASHER - RUBBER	
51	90072000018	1	O-RING - 18	
52	A365000050	1	CONNETOR, CAP	



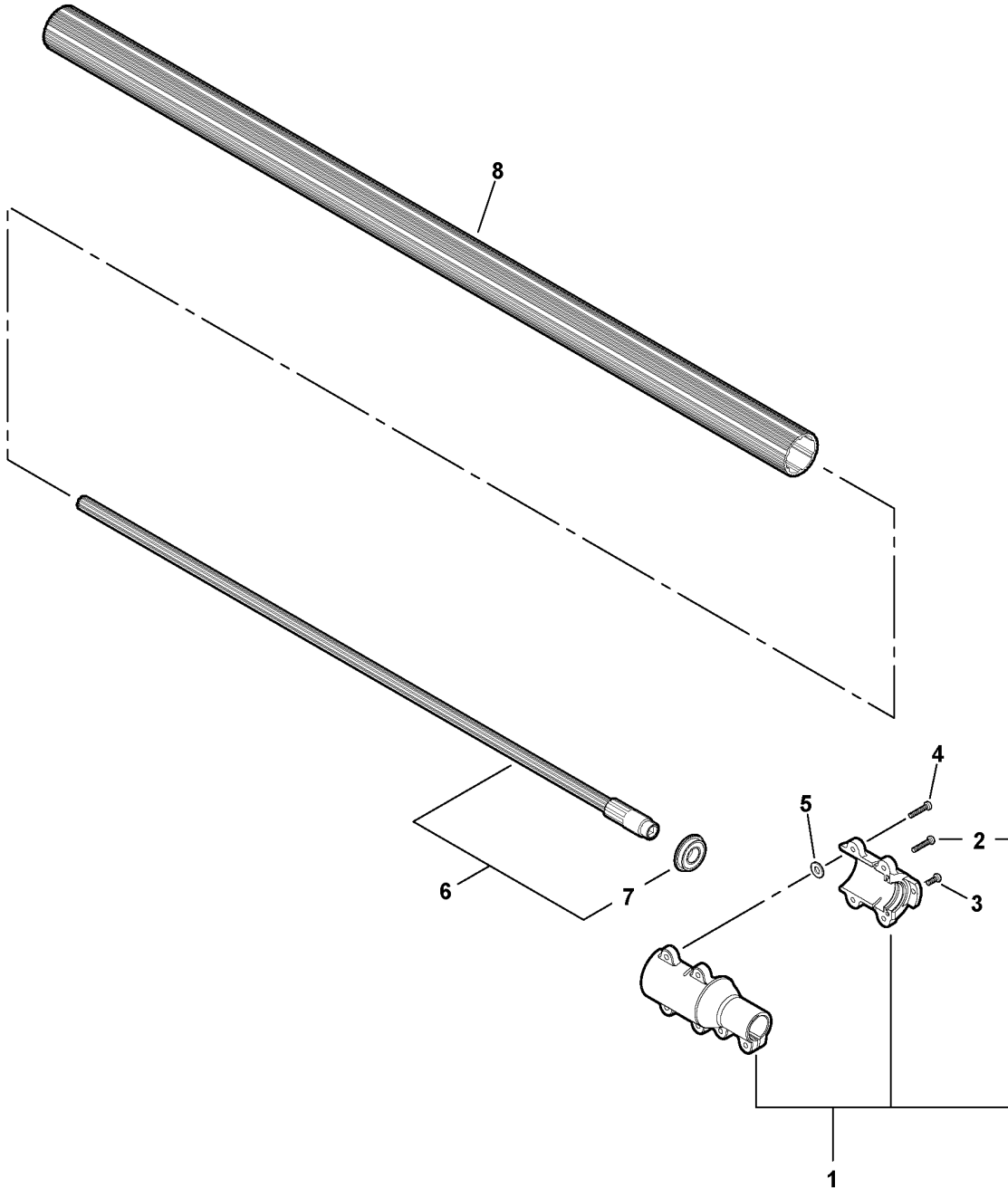
016 0005 000

ITEM	PART NUMBER	QTY	DESCRIPTION	REMARKS
1	12A0CD3744	1	GUIDE BAR - 12" -- Double-Guard 91	GAUGE: .050"
2	91VX44CQ	1	SAWING CHAIN - 12" -- XtraGUARD	GAUGE: .050"
3	X490000050	1	COVER, GUIDE BAR - 12"	



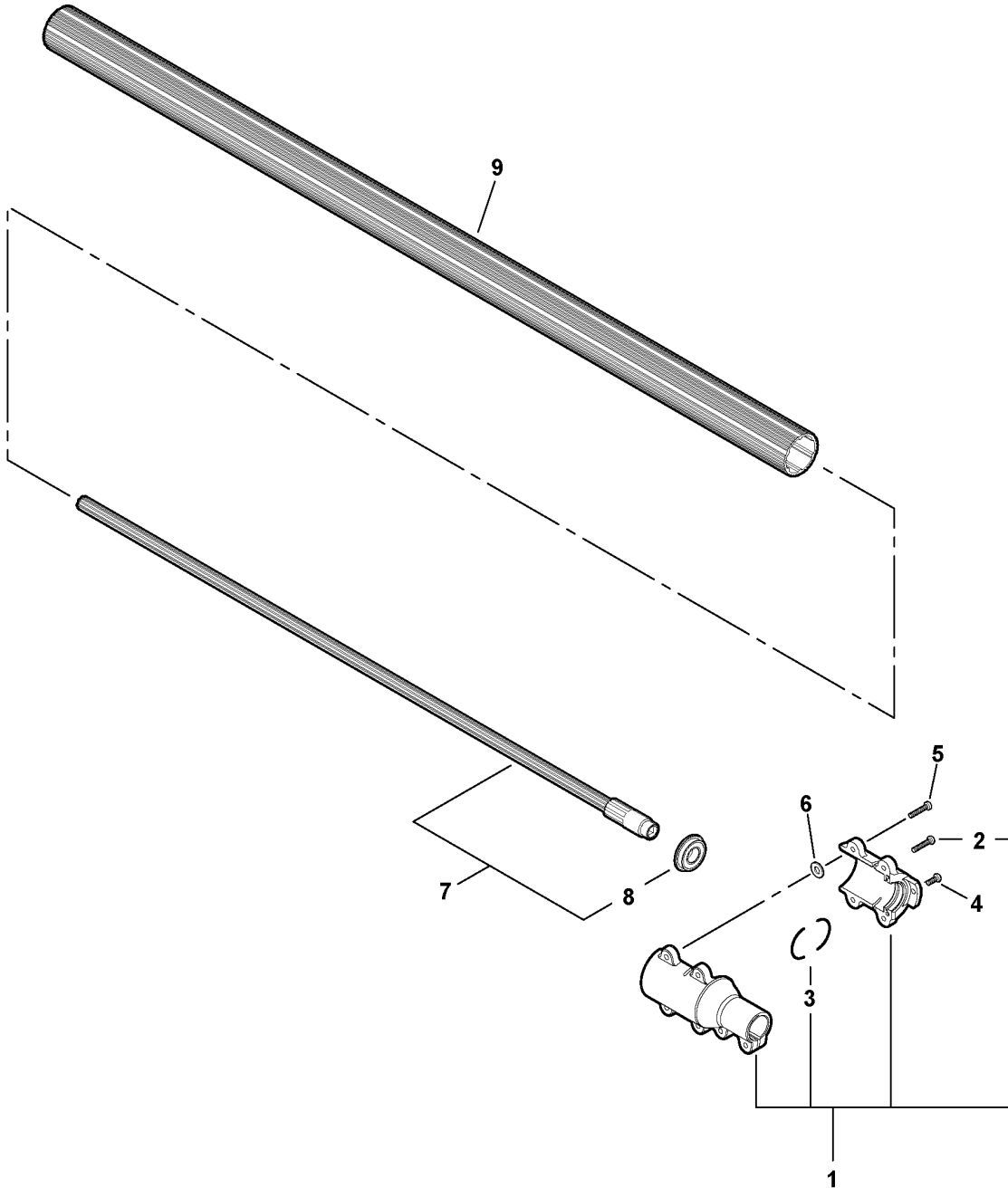
073 0004 000

ITEM	PART NUMBER	QTY	DESCRIPTION	REMARKS
1	C510000170	1	COUPLING	
2	V253000230	2	SCREW - 5X20	
3	90050000005	2	NUT	
4	90010006025	1	BOLT - 6X25	
5	V299000321	1	THUMBSCREW	
6	C050001010	1	MAIN PIPE ASY - BLACK	INCLUDES ITEMS 7-8
7	C503000080	1	BEARING HOLDER ASY	INCLUDES ITEM 8
8	89001122360	2	RIVET	
9	C504000380	1	DRIVESHAFT - UPPER	
10	C509000090	1	SOCKET - INNER	
11	C509000080	1	SOCKET - OUTER	



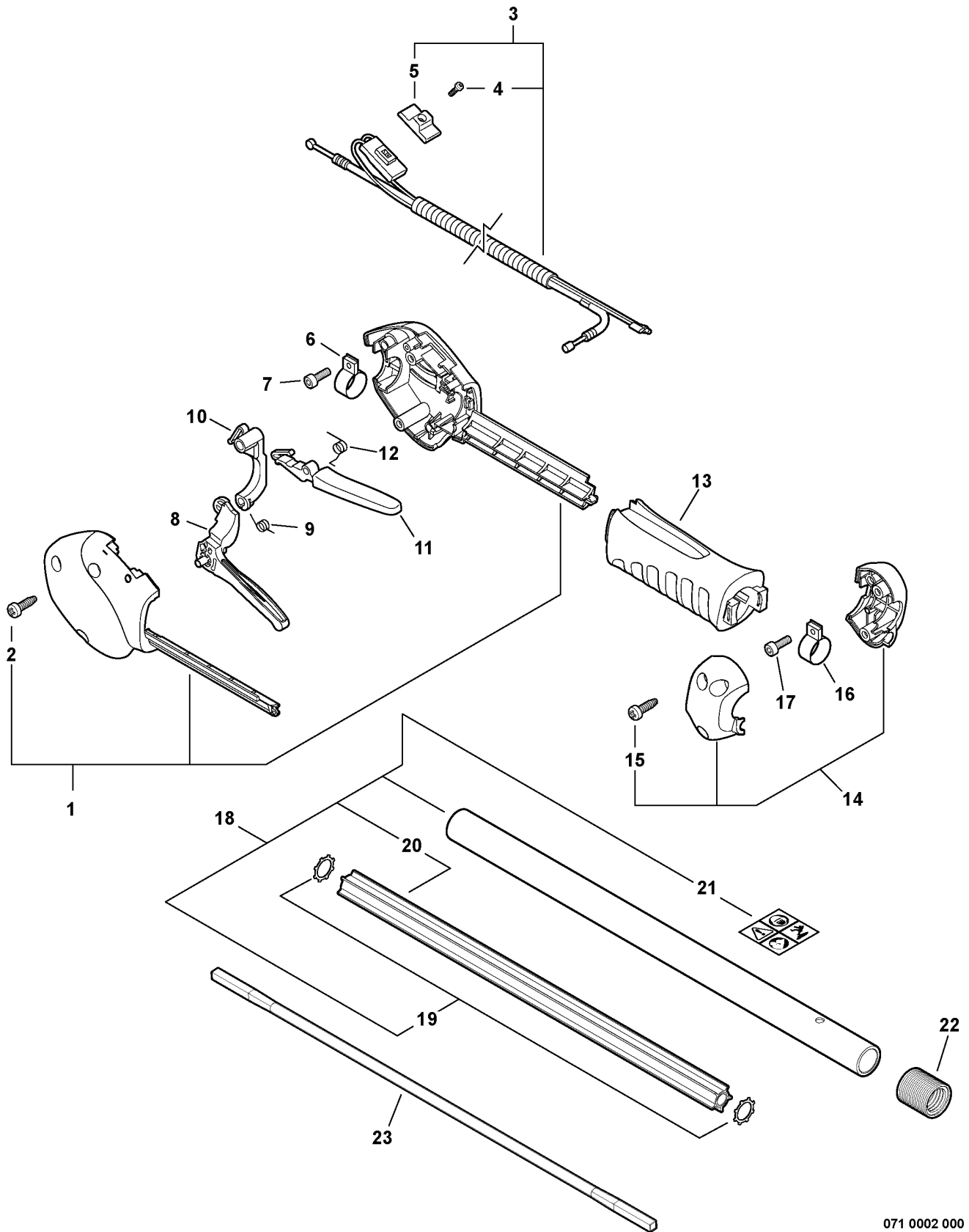
072 0004 000

ITEM	PART NUMBER	QTY	DESCRIPTION	REMARKS
1	C510000163	1	COUPLING ASY	INCLUDES ITEM 2
2	V253000230	2	SCREW - 5X20	
3	90010505014	1	SCREW - 5X14	
4	V253000230	4	SCREW - 5X20	
5	V303000071	2	WASHER - 5	
6	C504000390	1	DRIVESHAFT ASY - LOWER	INCLUDES ITEM 7
7	9405736002	1	BEARING, BALL - 6002	
8	C500000320	1	PIPE, MAIN - ORANGE	



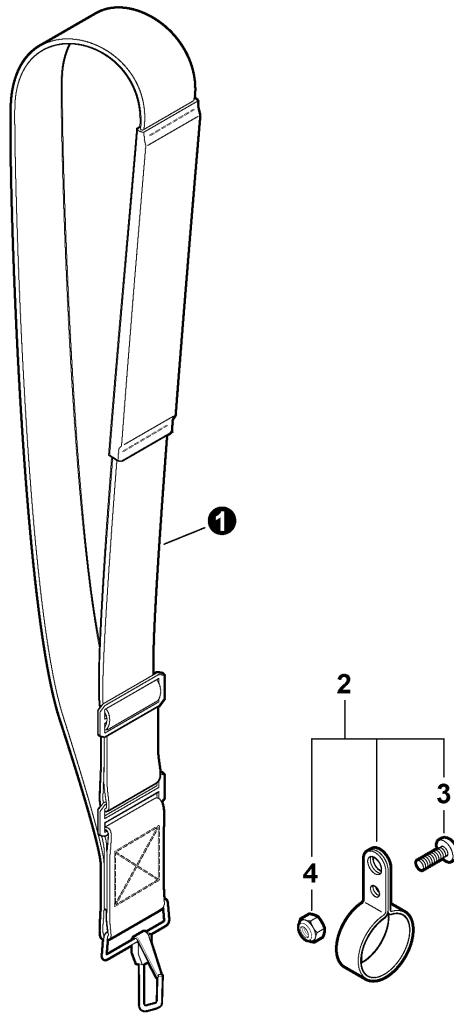
072 0004 00C

ITEM	PART NUMBER	QTY	DESCRIPTION	REMARKS
1	C510000163	1	COUPLING ASY	INCLUDES ITEM 2-3
2	90010505020	2	SCREW - 5X20	
3	V420001810	2	CUSHION	
4	90010505014	1	SCREW - 5X14	
5	90010505020	4	SCREW - 5X20	
6	V303000071	2	WASHER - 5	
7	C504000390	1	DRIVESHAFT ASY - LOWER	INCLUDES ITEM 8
8	9405736002	1	BEARING, BALL - 6002	
9	C500000320	1	PIPE, MAIN - ORANGE	



071 0002 000

ITEM	PART NUMBER	QTY	DESCRIPTION	REMARKS
1	P021009961	1	CONTROL HANDLE KIT	INCLUDES ITEM 2
2	88995021060	2	SCREW - 5X20 -- TAPPING	
3	V043000071	1	CONTROL CABLE ASY	INCLUDES ITEMS 4-5
4	9154503010	1	SCREW - 3X10	
5	A444000020	1	KNOB	
6	V495000680	1	CLAMP	
7	90016205020	1	SCREW - 5X20	
8	C450000183	1	TRIGGER, THROTTLE	
9	V452000210	1	SPRING, TRIGGER	
10	C453000151	1	LOCKOUT, TRIGGER	
11	C460000051	1	LEVER, THROTTLE LOCKOUT	
12	V452000240	1	SPRING, LEVER RETURN	
13	C412000090	1	GRIP, HANDLE	
14	P021009970	1	HANDLE FIXTURE KIT	INCLUDES ITEM 15
15	88995021060	2	SCREW - 5X20 -- TAPPING	
16	V495000680	1	CLAMP	
17	90016205020	1	SCREW - 5X20	
18	C050001020	1	PIPE ASY	INCLUDES ITEMS 19-21
19	V583000110	2	WASHER	
20	C507000160	1	LINER	
21	X505002361	1	LABEL - CAUTION	
22	V475004000	1	TUBE, PROTECTIVE - CORRUGATED	
23	C506000100	1	DRIVESHAFT - FLEXIBLE	



700 0003 000

ITEM	PART NUMBER	QTY	DESCRIPTION	REMARKS
1	30100022060	1	SHOULDER STRAP ASY	
2	30060522060	1	HANGER KIT	INCLUDES ITEMS 3-4
3	90005300200	1	SCREW - TORX PAN HEAD	
4	90003150100	1	LOCKNUT	



1



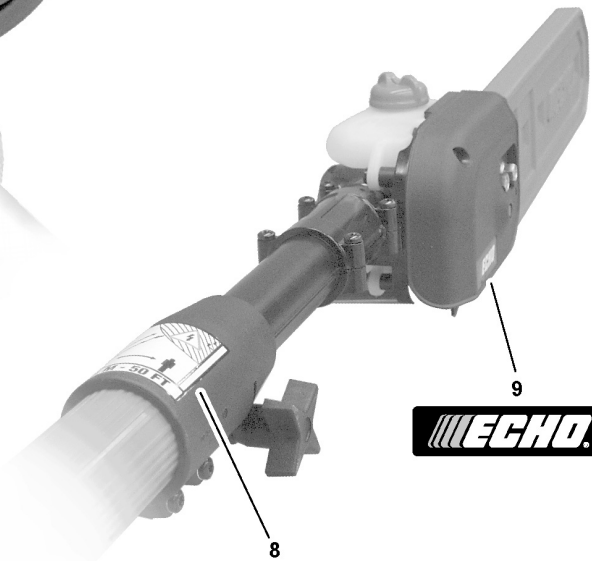
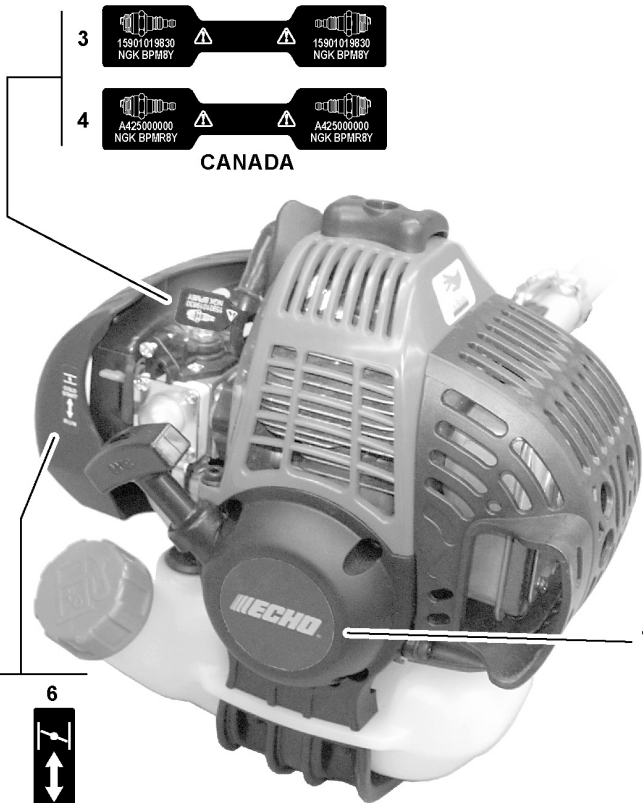
2



CANADA

3

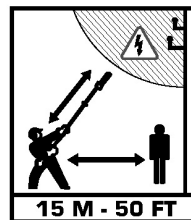
4



9



8



7



CANADA

100 0082 000

ITEM	PART NUMBER	QTY	DESCRIPTION	REMARKS
1	X505002310	1	LABEL - CAUTION -- HOT	
2	X547001270	1	LABEL - MODEL -- PPT-265S	
3	X532000671	1	LABEL - SPARK PLUG -- BPM-8Y	
4	X532000720	1	LABEL - SPARK PLUG -- BPMR-8Y	CANADA MODELS
5	89012152730	1	LABEL - CHOKE	
6	89033252730	1	LABEL - CHOKE	CANADA MODELS
7	X502000330	1	LABEL - ECHO	
8	X505002371	1	LABEL - WARNING	
9	X502000600	1	LABEL - ECHO	



Part Number Index

Click The Page Number After Any Part Number To View The Diagram Containing That Part.

Part Number	Page	Part Number	Page	Part Number	Page	Part Number	Page
-----	13, 15, 21	90051500008	19	P005000190	15	V583000110	33
10001216131	21	90056500005	11	P005000250	15	V622000020	9, 21
10001335430	21	90060300004	19	P005000270	15	V651000201	23
10001453630	21	90060300005	7	P005000280	15	V651000210	23
10001503931	21	90070100012	9	P005001000	15	V651000310	23
10014212330	21	90070200028	9	P005001240	15	V651000320	23
10021242031	21	90070600012	23	P005001270	15	V652000021	23
10024242030	21	90072000018	23	P005001290	15	X490000050	25
12532715130	23	90080796001	9	P005001330	15	X502000330	37
12533942030	15	9114005012	5	P005001660	15	X502000600	37
12534252130	15	9136704012	17	P005001890	15	X505002310	37
12534413931	15	9154503010	33	P005001900	15	X505002361	33
12534452130	15	91VX44CQ	25	P005001980	15	X505002371	37
12538108660	15	9228005000	17	P005001990	15	X532000671	37
12901152730	13	9403536201	21	P021004480	13	X532000720	37
12A0CD3744	25	9404206001	23	P021009380	9	X547001270	37
13011014330	23	9405736002	29, 31	P021009771	21		
13031054130	13	A011000434	21	P021009961	33		
13100455530	7	A021001200	15	P021009970	33		
13101655830	7	A051000940	11	P021010801	21		
13104528230	23	A052000180	11	P021013640	7		
13105156030	7	A101000170	21	P021013760	9		
13131406320	23	A127000160	19	P021014940	23		
13201040830	7	A130000761	21	P022002100	11		
13201309820	7	A160000691	5	P022006830	11		
13201326630	7	A160000780	5	P022006850	11		
13211501461	23	A162000080	5	P022008260	11		
13211555930	7	A162000100	5	P022008270	11		
14586240630	17	A175000030	7	P022008280	11		
15611004920	19	A200000200	13	P022010640	23		
15663543130	19	A209000140	13	P022010650	23		
15901019830	19	A226001410	13	P022010660	23		
15911621231	19	A232000330	13	P022010670	23		
16201004561	19	A300000670	17	P022010680	23		
17501439131	23	A313000830	17	SB1090	21		
17504656030	9	A320000341	5	V043000071	33		
17504805530	9	A356000030	7	V100000210	21		
17504956030	9	A365000050	23	V103000210	13		
17722042030	11	A369000000	7	V103000270	13		
17722742030	11	A409000310	19	V104000780	17		
17722827030	11	A411000251	19	V104000790	17		
17723412220	11	A425000000	19	V135000030	19		
17723661830	11	A426000010	19	V150001760	17		
17724611120	11	A427000013	19	V202000130	19		
30060522060	35	A444000020	33	V203000041	23		
30100022060	35	A553000010	9	V203000120	17		
43301903933	23	A556000280	9	V224000040	23		
43601237830	23	C022000010	23	V252000040	23		
43620502832	23	C050001010	27	V253000180	23		
43724439130	23	C050001020	33	V253000200	23		
61002522361	23	C200000080	23	V253000230	23, 27, 29		
88995021060	33	C300000361	23	V253000240	23		
89001122360	27	C309000030	23	V299000250	13		
89012152730	37	C412000090	33	V299000321	27		
89033252730	37	C450000183	33	V303000071	29, 31		
90003150100	35	C453000151	33	V307000160	23		
90005300200	35	C460000051	33	V322000031	19		
90010006025	27	C500000320	29, 31	V354000010	23		
90010505010	23	C503000080	27	V355000140	23		
90010505012	9	C504000380	27	V420001081	9		
90010505014	29, 31	C504000390	29, 31	V420001810	31		
90010505020	31	C506000100	33	V451000400	9		
90010505025	23	C507000160	33	V452000210	33		
90010605008	5	C509000080	27	V452000240	33		
90010605014	5	C509000090	27	V470000180	23		
90016205016	19	C510000163	29, 31	V470000580	7		
90016205020	33	C510000170	27	V471001180	7		
90016205025	7, 9, 13, 21	C531000030	23	V475003380	19		
90016205028	21	C531000430	23	V475004000	33		
90016304016	9, 11	C534000430	23	V491000180	9		
90024205065	13	C580000070	23	V495000680	33		
90025605016	5	C649000140	23	V505000050	21		
90050000005	17, 27	P005000100	15	V583000090	23		



Part Description Index

Click The Page Number After Any Part Description To View The Diagram Containing That Part.

<p>A</p> <p>AUTO-OILER ASY.....23</p>	<p>FILTER, OIL.....23 FLYWHEEL.....19 FUEL TANK ASY.....7</p>	<p>N</p> <p>NEEDLE - HIGH SPEED.....15 NEEDLE, ADJUST.....23 NUT.....17, 27 NUT - 5 -- SQUARE.....11 NUT - 6 -- FLANGE.....23 NUT - 8 -- FLANGE.....19</p>
<p>B</p> <p>BASE, PURGE.....15 BEARING HOLDER ASY.....27 BEARING, BALL - 6001.....9, 23 BEARING, BALL - 6002.....29, 31 BEARING, BALL - 6201.....21 BEARING, NEEDLE.....21 BODY, CARBURETOR.....15 BOLT - 5.....17 BOLT - 6X25.....27 BOLT, CLUTCH.....9 BRACKET, TENSIONER.....23 BULB, PURGE.....15</p>	<p>G</p> <p>GASKET.....7 GASKET, CRANKCASE.....21 GASKET, CYLINDER.....21 GASKET, DIAPHRAGM.....15 GASKET, EXHAUST.....17 GASKET, INTAKE.....13, 21 GASKET, PUMP.....15 GEAR - 14 TOOTH.....23 GEAR, BEVEL - 15 TOOTH.....23 GEAR, BEVEL - 23 TOOTH.....23 GEAR, SHAFT.....23 GEAR, WORM.....23 GRIP, HANDLE.....33 GRIP, STARTER.....11 GROMMET.....7, 19, 23 GUARD, FUEL TANK.....7 GUARD, SPROCKET.....23 GUARD, TOP.....5 GUIDE BAR - 12" -- Double-Guard 91.....25 GUIDE, EXHAUST.....17 GUIDE, ROLLER.....15 GUIDE, ROPE.....11</p>	<p>O</p> <p>O-RING.....15 O-RING - 18.....23</p>
<p>C</p> <p>CAP ASY - ORANGE.....7, 23 CAP, LIMITER.....15 CAP, OIL PUMP.....23 CAP, SPARK PLUG.....19 CARBURETOR.....13 CARBURETOR -- RB-K84.....15 CASE, AIR CLEANER - BLACK.....13 CASE, GEAR - LOWER.....23 CASE, GEAR - UPPER.....23 CLAMP.....19, 33 CLIP.....7, 9 COIL, IGNITION.....19 COLLAR.....23 CONNECTOR, CAP.....7 CONNECTOR, SHAFT.....23 CONNECTOR, CAP.....23 CONTROL CABLE ASY.....33 CONTROL HANDLE KIT.....33 COUPLING.....27 COUPLING ASY.....29, 31 COVER, AIR CLEANER.....13 COVER, DEBRIS.....19 COVER, DIAPHRAGM.....15 COVER, ENGINE.....5 COVER, EXHAUST.....5 COVER, GUIDE BAR - 12".....25 CRANKCASE KIT.....21 CRANKSHAFT ASY.....21 CUSHION.....9, 31 CYLINDER.....21</p>	<p>H</p> <p>HANDLE FIXTURE KIT.....33 HANGER KIT.....35 HOOK.....23</p>	<p>P</p> <p>PAD, FOAM.....23 PAWL.....11 PIN, DOWEL.....9, 21 PIN, METERING LEVER.....15 PIN, PISTON.....21 PIPE - 3X5X195.....7 PIPE - 3X6X75 -- CLEAR.....7 PIPE - 3X6X75mm.....23 PIPE ASY.....33 PIPE, MAIN - ORANGE.....29, 31 PIPE, OIL OUTLET.....23 PIPE, VENT - 3X6X35mm.....7 PISTON KIT.....21 PLATE.....17 PLATE, CAM.....11 PLATE, INSULATOR.....13 PLATE, PREVENT.....13 PLUNGER.....23 PULLEY.....11</p>
<p>D</p> <p>DIAPHRAGM, METERING.....15 DIAPHRAGM, PUMP.....15 DIAPHRAGM/GASKET KIT.....15 DRIVESHAFT - FLEXIBLE.....33 DRIVESHAFT - UPPER.....27 DRIVESHAFT ASY - LOWER.....29, 31 DRUM, CLUTCH.....9</p>	<p>I</p> <p>INSULATOR.....19 INSULATOR, INTAKE.....13</p>	<p>R</p> <p>REPAIR KIT.....15 RETAINER, PURGE BULB.....15 RETAINER, ROPE.....11 RING, PISTON.....21 RING, RETAINING.....15, 21, 23 RING, RETAINING - 12.....9, 23 RING, RETAINING - 28.....9 RING, RETAINING - 4.....11 RIVET.....27 ROPE, STARTER - 3X700.....11 ROTOR COVER ASY.....15</p>
<p>F</p> <p>FAN CASE ASY.....9 FILTER, AIR - DOUBLE LAYER.....13 FILTER, AIR - SINGLE LAYER.....13 FILTER, FUEL.....7</p>	<p>K</p> <p>KEY, WOODRUFF.....21 KNOB.....33</p>	<p>S</p> <p>SAWING CHAIN - 12" -- XtraGUARD.....25 SCREEN, SPARK ARRESTER.....17 SCREW.....11, 15 SCREW - 3X10.....33 SCREW - 4.....19 SCREW - 4X12.....17 SCREW - 4X16.....9, 11 SCREW - 4X8.....23 SCREW - 5X10.....23 SCREW - 5X12.....5, 9 SCREW - 5X14.....5, 29, 31 SCREW - 5X16.....5, 19 SCREW - 5X20.....23, 27, 29, 31, 33 SCREW - 5X20 -- TAPPING.....33 SCREW - 5X25.....7, 9, 13, 21, 23 SCREW - 5X28.....21</p>
<p>M</p> <p>MAIN PIPE ASY - BLACK.....27 MAIN PIPE FIXTURE KIT.....9 MUFFLER.....17</p>	<p>L</p> <p>LABEL - CAUTION.....33 LABEL - CAUTION -- HOT.....37 LABEL - CHOKE.....37 LABEL - ECHO.....37 LABEL - MODEL -- PPT-265S.....37 LABEL - SPARK PLUG -- BPM-8Y.....37 LABEL - SPARK PLUG -- BPMR-8Y.....37 LABEL - WARNING.....37 LEAD - GROUND.....19 LEAD - IGNITION.....19 LEVER, METERING.....15 LEVER, THROTTLE LOCKOUT.....33 LINER.....33 LOCKNUT.....35 LOCKOUT, TRIGGER.....33 LOCKWASHER.....17</p>	



Part Description Index (continued)

SCREW - 5X65.....13
 SCREW - 5X8.....5
 SCREW - TORX PAN HEAD.....35
 SCREW, CABLE ADJUST.....15
 SCREW, IDLE ADJUST.....15
 SCREW, METERING LEVER PIN.....15
 SCREW, PURGE BASE.....15
 SCREW, PURGE BULB RETAINER.....15
 SCREW, TENSIONER.....23
 SEAL, DUST.....5
 SEAL, OIL.....21
 SHIELD, CYLINDER.....5
 SHIELD, EXHAUST.....17, 21
 SHIELD, INTAKE.....13
 SHOE, CLUTCH.....9
 SHORT BLOCK -- SB1090.....21
 SHOULDER STRAP ASY.....35
 SOCKET - INNER.....27
 SOCKET - OUTER.....27
 SPACER.....23
 SPACER, PISTON.....21
 SPARK PLUG -- BPM-8Y.....19
 SPARK PLUG -- BPMR-8Y.....19
 SPRING.....23
 SPRING, CLUTCH.....9
 SPRING, DAMPER.....11
 SPRING, LEVER RETURN.....33
 SPRING, METERING LEVER.....15
 SPRING, RETURN.....11
 SPRING, REWIND.....11
 SPRING, TRIGGER.....33
 SPROCKET, DRIVE.....23
 STARTER ASY.....11
 STARTER PAWL ASY.....11
 STRAINER.....15
 STUD, GUIDE BAR.....23
 SWIVEL.....15

T

TANK, OIL.....23
 TENSIONER, CHAIN.....23
 TERMINAL, SPARK PLUG CAP.....19
 THUMBSCREW.....13, 27
 TRIGGER, THROTTLE.....33
 TUBE, PROTECTIVE - CORRUGATED.....33

V

VALVE, INLET NEEDLE.....15
 VENT ASY.....7, 23

W

WASHER.....19, 23, 33
 WASHER - 10.....23
 WASHER - 5.....7, 29, 31
 WASHER - 6.....9
 WASHER - RUBBER.....23
 WASHER - SPRING.....9

NOTES



ECHO, INCORPORATED

400 Oakwood Road
Lake Zurich, IL 60047 USA

WWW.ECHO-USA.COM
