



---

**OPTIONAL ATTACHMENTS & ACCESSORIES****Accessories**

35130454230	U-Handle Kit
99944200200	SRM Shoulder Harness Kit
99944200411	20mm Blade Conversion Kit
99944200415	Universal Blade Conversion Kit
99944200455	Barrier Bar
99944200521	U-Handle_Blade Conversion Combo Kit
SRAC-200	Tiller/Cultivator Attachment

**Cutting Heads**

21560030	ECHOMATIC Pro Head
21560031	SRM ECHOMATIC Pro Head
21560050	Semi-Auto Head Assembly
21560056	2-Line Rapid Loader Head -- Echo
21560060	SRM Manual Dual Line Head
99944200900	U-Turn Head

---

**PARTS CATALOG**  
**SRM-210 Trimmer****21.2cc**

---

**SERIAL NUMBERS**

---

S/N: 08001001 - 08999999

---

**ECHO, INCORPORATED**

400 Oakwood Road Lake Zurich, Illinois 60047 USA

WWW.ECHO-USA.COM



# Table of Contents

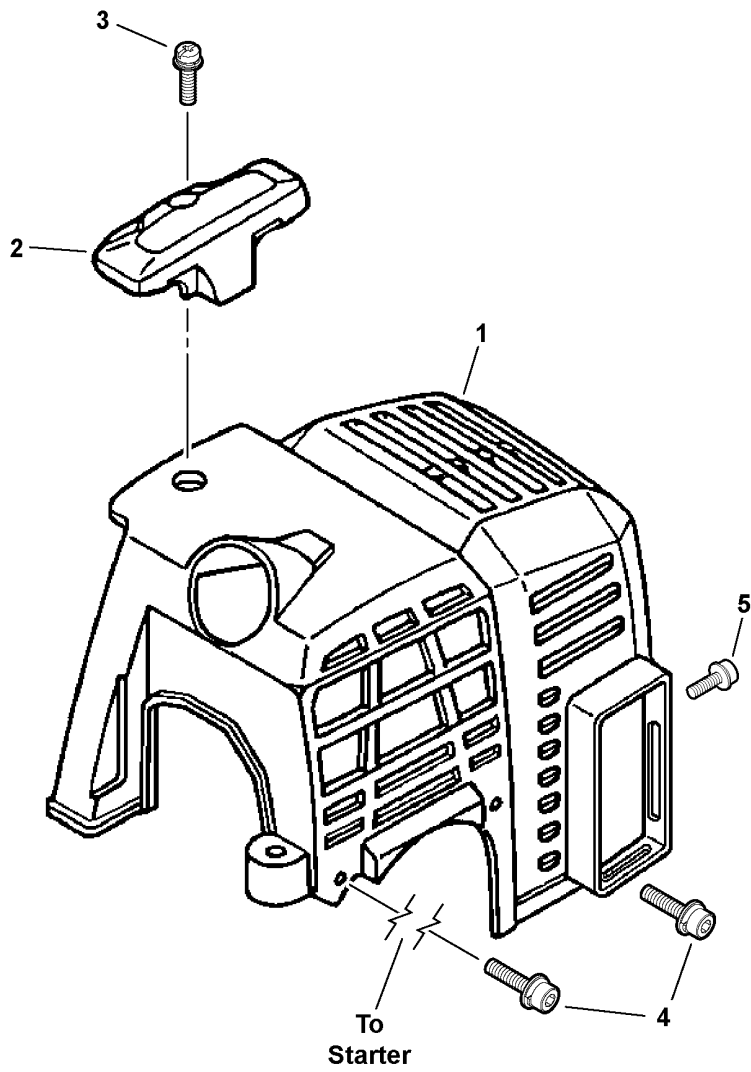
---

Click Any Diagram Description Below To View That Diagram.

## **SRM-210 S/N: 08001001 - 08999999**

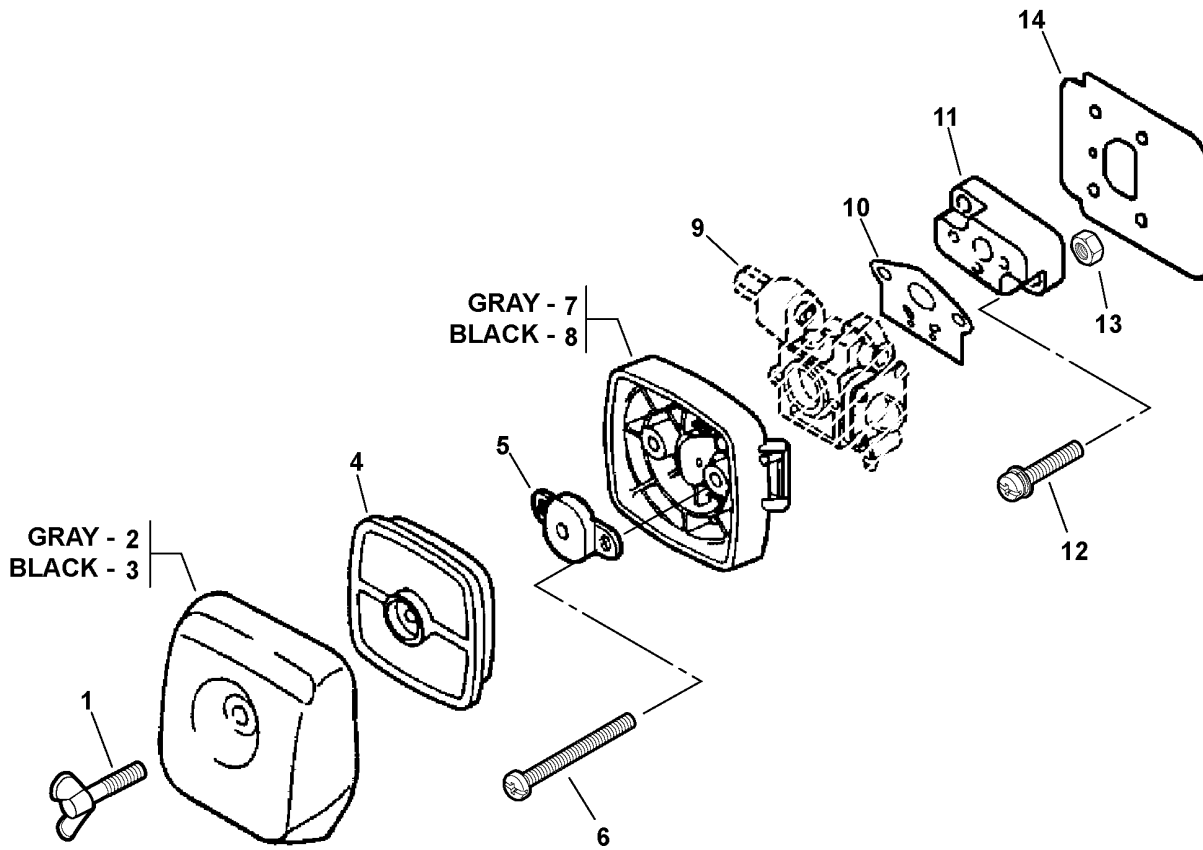
Engine Cover.....	4
Intake.....	6
Carburetor -- RB-K75.....	8
Exhaust.....	10
Starter -- i-30.....	12
Fuel System.....	14
Fan Case, Clutch.....	16
Ignition.....	18
Engine, Short Block -- SB1072.....	20
Plastic Shield.....	22
Gear Case S/N: 08001001 - 08075194.....	24
Gear Case S/N: 08075195 - 08467771.....	26
Gear Case S/N: 08467772 - 08999999.....	28
Main Pipe Assembly, Flexible Driveshaft.....	30
Control Handle, Throttle Cable, Ignition Switch.....	32
Front Handle.....	34
Labels.....	36
Gasket Kit.....	38
RePower Tune-Up Kit.....	40
Tools.....	42
Part Number Index.....	44
Part Description Index.....	45

***This Page Intentionally Left Blank***



001 0008 000

ITEM	PART NUMBER	QTY	DESCRIPTION	REMARKS
1	A160000570	1	COVER, ENGINE	
2	A162000050	1	GUARD, TOP	
3	90023805016	1	SCREW 5X16	
4	90016304016	1	SCREW 4X16	
5	9110704008	1	SCREW	

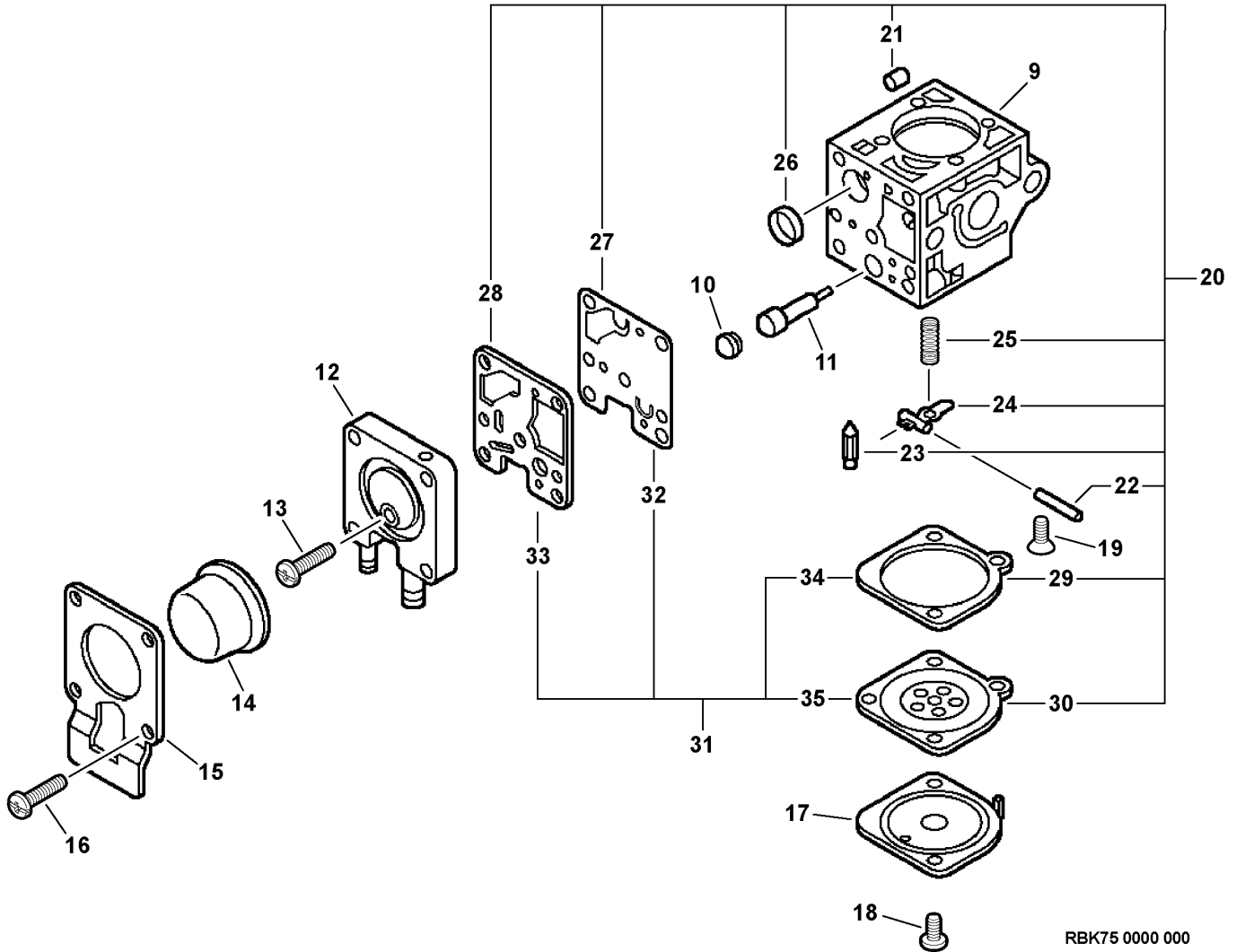
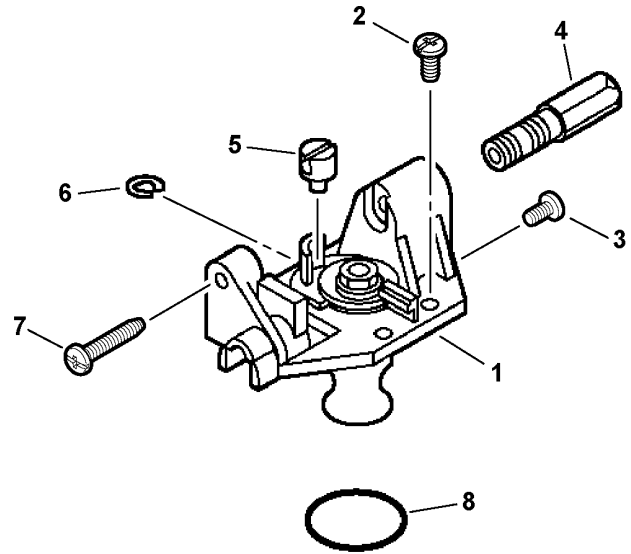


005 0007 00B

ITEM	PART NUMBER	QTY	DESCRIPTION	REMARKS
1	21041752730	1	WING BOLT	
2	13031306563	1	LID, AIR CLEANER -- GRAY	
3	13031305863	1	LID, AIR CLEANER -- BLACK	
4	13031054130	1	FILTER, AIR <sup>1</sup>	
5	12901152730	1	PLATE, PREVENT	
6	90022005065	2	SCREW 5X65	
7	P021000991	1	CASE, AIR CLEANER -- GRAY	
8	P021004480	1	CASE, AIR CLEANER -- BLACK	
9	-----	1	CARBURETOR	See Carburetor Diagram For Additional Information
10	13001013410	1	GASKET, INTAKE <sup>2</sup>	
11	13001744330	1	INSULATOR, INTAKE	
12	90023805020	2	SCREW 5X20	
13	90050000005	2	NUT 5	
14	13001042032	1	SHIELD, INTAKE <sup>2</sup>	

**Footnotes**

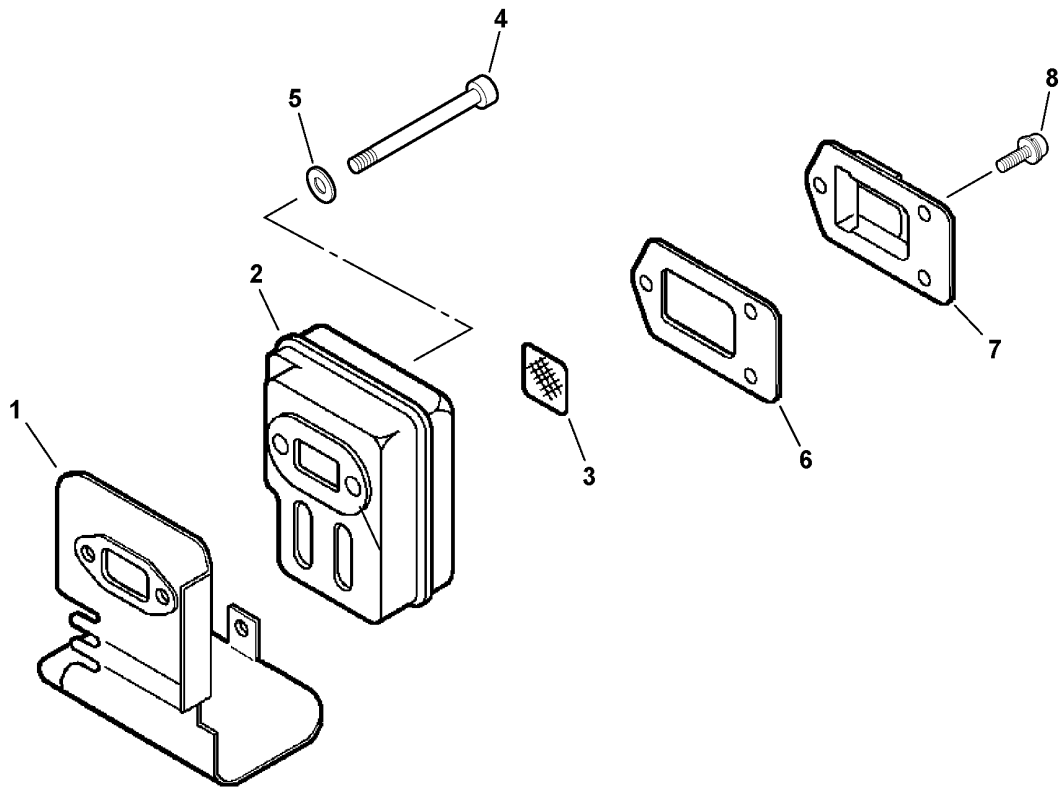
- 1: Also Included In REPOWER TUNE-UP KIT
- 2: Also Included In GASKET KIT



RBK75 0000 000



ITEM	PART NUMBER	QTY	DESCRIPTION	REMARKS
	A021000740	1	CARBURETOR -- RB-K75	
1	P005001320	1	ROTOR COVER ASY	
2	12534413931	3	SCREW, ROTOR COVER ASY	
3	12534452130	1	SCREW, ROTOR COVER	
4	P005001330	1	SCREW, CABLE ADJUST	
5	P005001240	1	SWIVEL	
6	P005000190	1	E-RING	
7	P005000100	1	SCREW, THROTTLE ADJUST	
8	P005000280	1	O-RING	
9	-----	1	BODY, CARBURETOR	NOT AVAILABLE SEPARATELY
10	P005001270	1	PLUG	
11	P005001260	1	NEEDLE - HIGH SPEED	
12	P005000930	1	PURGE BASE ASY	
13	P005000270	1	SCREW, PURGE BASE ASY	
14	12538108660	1	BULB, PURGE	
15	P005000250	1	RETAINER, PURGE BULB	
16	12531061830	4	SCREW, PURGE BULB RETAINER	
17	12534252130	1	COVER, DIAPHRAGM	
18	12534452130	3	SCREW, DIAPHRAGM COVER	
19	12533942030	1	SCREW, METERING LEVER PIN	
20	P005001670	1	REPAIR KIT	INCLUDES ITEMS 21-30
21	P005001000	1	ROLLER, GUIDE	
22	-----	1	PIN, METERING LEVER	
23	-----	1	VALVE, INLET NEEDLE	
24	-----	1	LEVER, METERING	
25	-----	1	SPRING, METERING LEVER	
26	-----	1	STRAINER	
27	-----	1	DIAPHRAGM, PUMP	
28	-----	1	GASKET, PUMP	
29	-----	1	GASKET, METERING	
30	-----	1	DIAPHRAGM, METERING	
31	P005001660	1	DIAPHRAGM/GASKET KIT	INCLUDES ITEMS 32-35
32	-----	1	DIAPHRAGM, PUMP	
33	-----	1	GASKET, PUMP	
34	-----	1	GASKET, METERING	
35	-----	1	DIAPHRAGM, METERING	

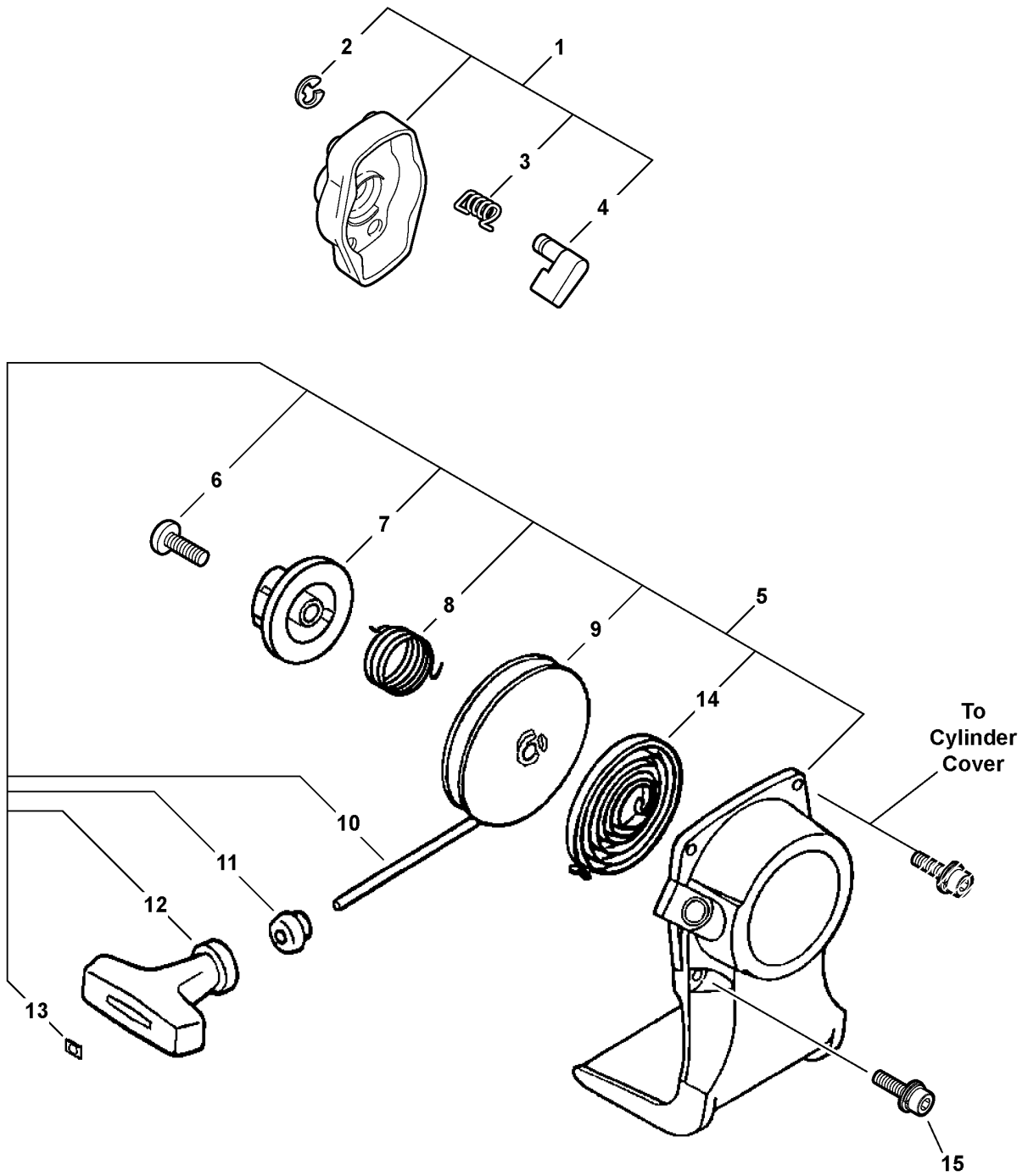


006 0010 000

ITEM	PART NUMBER	QTY	DESCRIPTION	REMARKS
1	V104000500	1	SHIELD, EXHAUST <sup>1</sup>	
2	14580642030	1	MUFFLER	
3	14586240630	1	SCREEN, MUFFLER	
4	90010505055	2	SCREW 5X55	
5	90060000005	2	WASHER	
6	14586642031	1	GASKET, EXHAUST	
7	A313000350	1	GUIDE, EXHAUST <sup>1</sup>	
8	90024204010	3	SCREW 4X10	

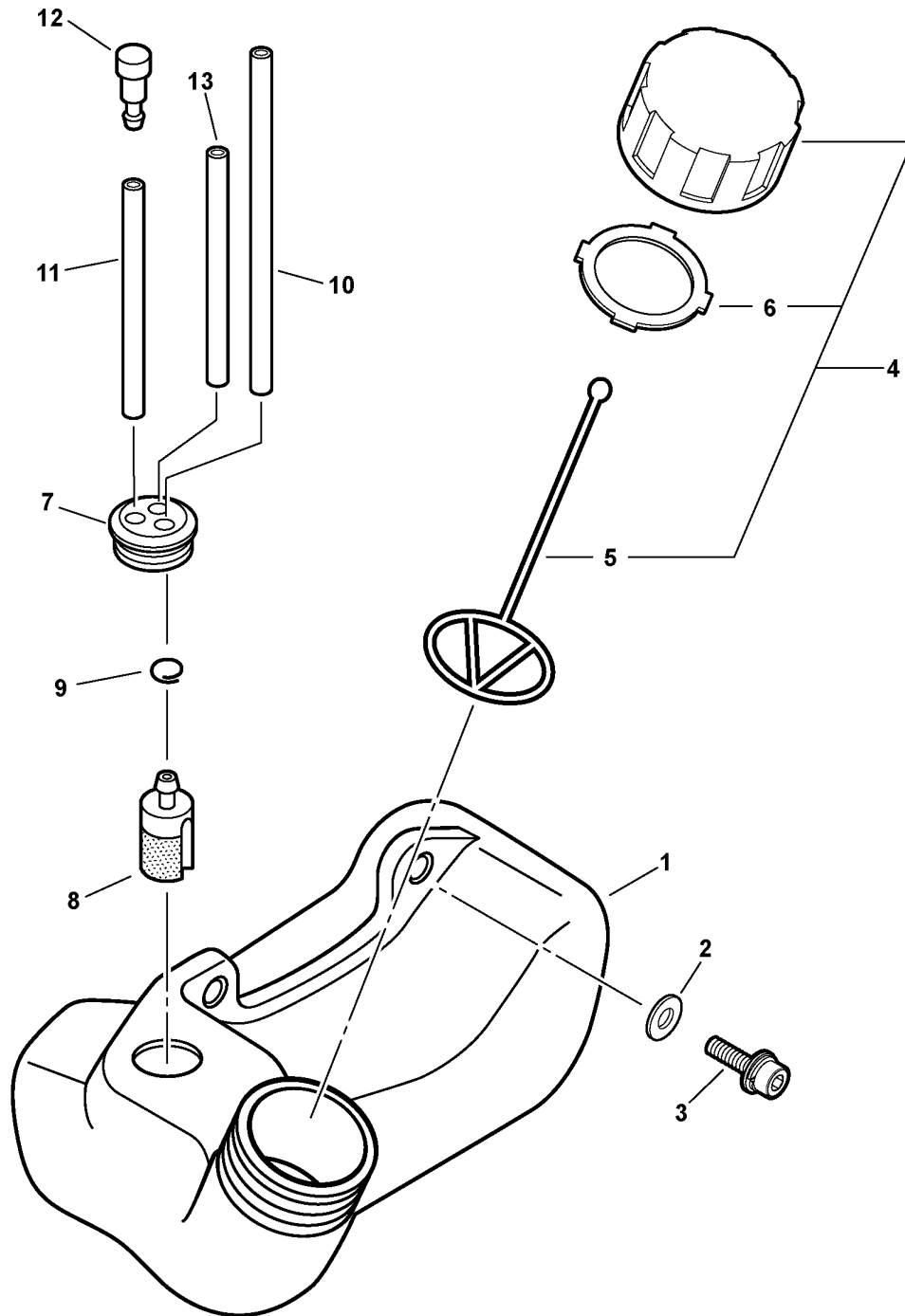
**Footnotes**

1: Also Included In GASKET KIT



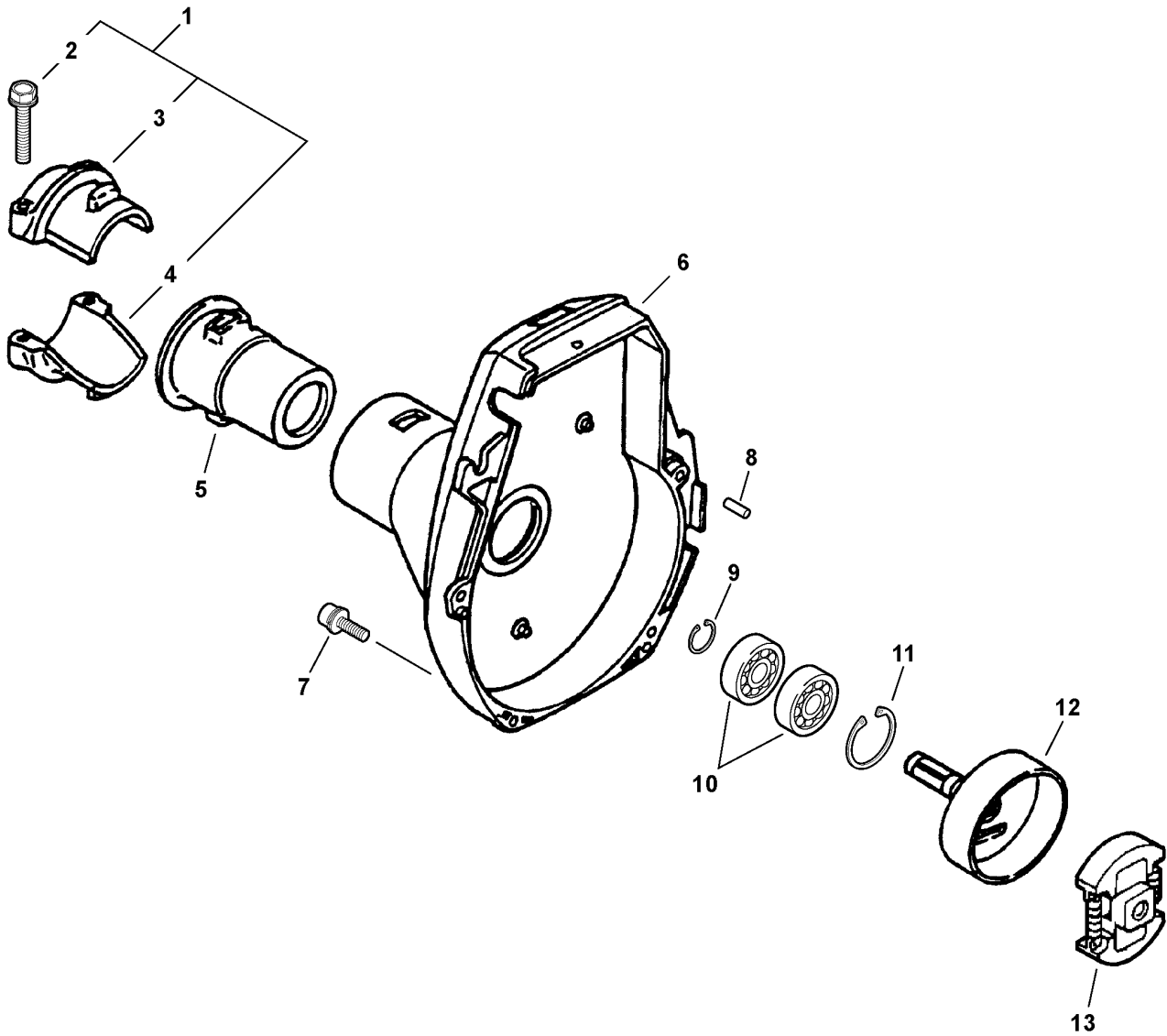
004 0009 000

ITEM	PART NUMBER	QTY	DESCRIPTION	REMARKS
1	A052000180	1	STARTER PAWL ASY	INCLUDES ITEMS 2-4
2	P022002100	2	E-RING	
3	P022006510	2	SPRING, PAWL RETURN	
4	P022006850	2	PAWL, STARTER	
5	A051000680	1	STARTER ASY	INCLUDES ITEMS 6-14
6	17723661830	1	SCREW	
7	P022008280	1	PLATE, CAM	
8	P022008270	1	SPRING, DAMPER	
9	P022006830	1	DRUM	
10	P022008260	1	ROPE, STARTER - 3X700mm	REPOWER BULK OPTION: 99944440000
11	17722742030	1	GUIDE, ROPE	
12	17722827030	1	GRIP, STARTER	
13	17724611120	1	CLIP, STARTER ROPE	
14	17722042030	1	SPRING, REWIND	
15	90016304016	4	SCREW 4X16	



002 0006 00B

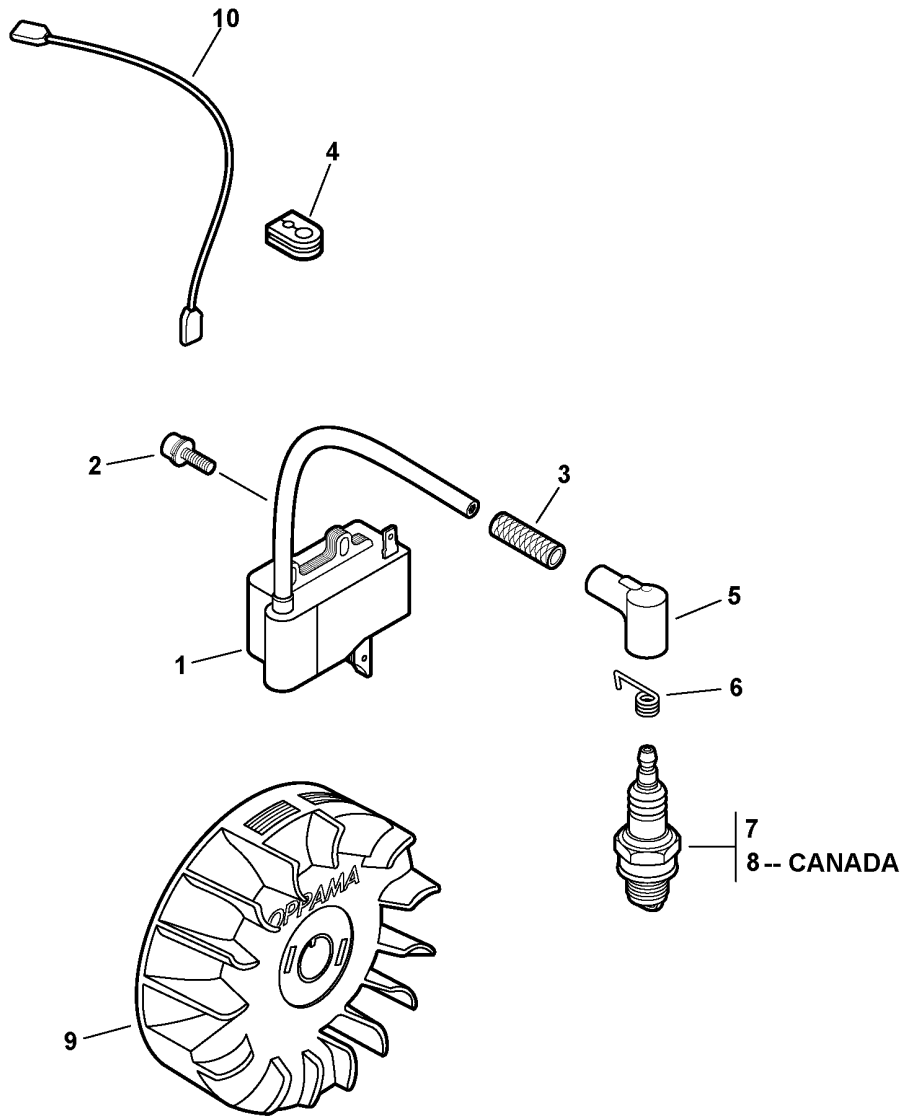
ITEM	PART NUMBER	QTY	DESCRIPTION	REMARKS
1	A35000290	1	TANK, FUEL	
2	90060300005	2	WASHER 5	
3	90016205020	2	SCREW 5X20	
4	13100455530	1	CAP ASY	INCLUDES ITEMS 5-6
5	13105156030	1	CONNECTOR, CAP	
6	13101655830	1	GASKET, CAP	
7	V137000030	1	GROMMET	
8	13120507320	1	FILTER, FUEL	
9	13201309820	1	CLIP	
10	V471001190	1	PIPE, FUEL - 3X5X180mm	REPOWER BULK OPTION: 90014
11	V471001200	1	PIPE, VENT - 3X5X70mm	REPOWER BULK OPTION: 90014
12	A356000030	1	VENT ASY	
13	13201256030	1	PIPE, RETURN - 3X6X80mm	REPOWER BULK OPTION: 90017



003 0005 000



ITEM	PART NUMBER	QTY	DESCRIPTION	REMARKS
1	61090355230	1	HOLDER KIT	INCLUDES ITEMS 2-4
2	90014205025	2	BOLT 5X25	
3	61092227432	1	HOLDER	
4	61092355230	1	HOLDER	
5	61091055230	1	CUSHION	
6	10150352131	1	FAN COVER ASY	
7	90016304016	4	SCREW 4X16	
8	V622000020	2	DOWEL PIN	
9	90070100012	1	CIRCLIP 12	
10	90080796001	2	BEARING, BALL - 6001	
11	90070200028	1	CIRCLIP 28	
12	17500548931	1	DRUM, CLUTCH	
13	17500056830	1	CLUTCH ASY	

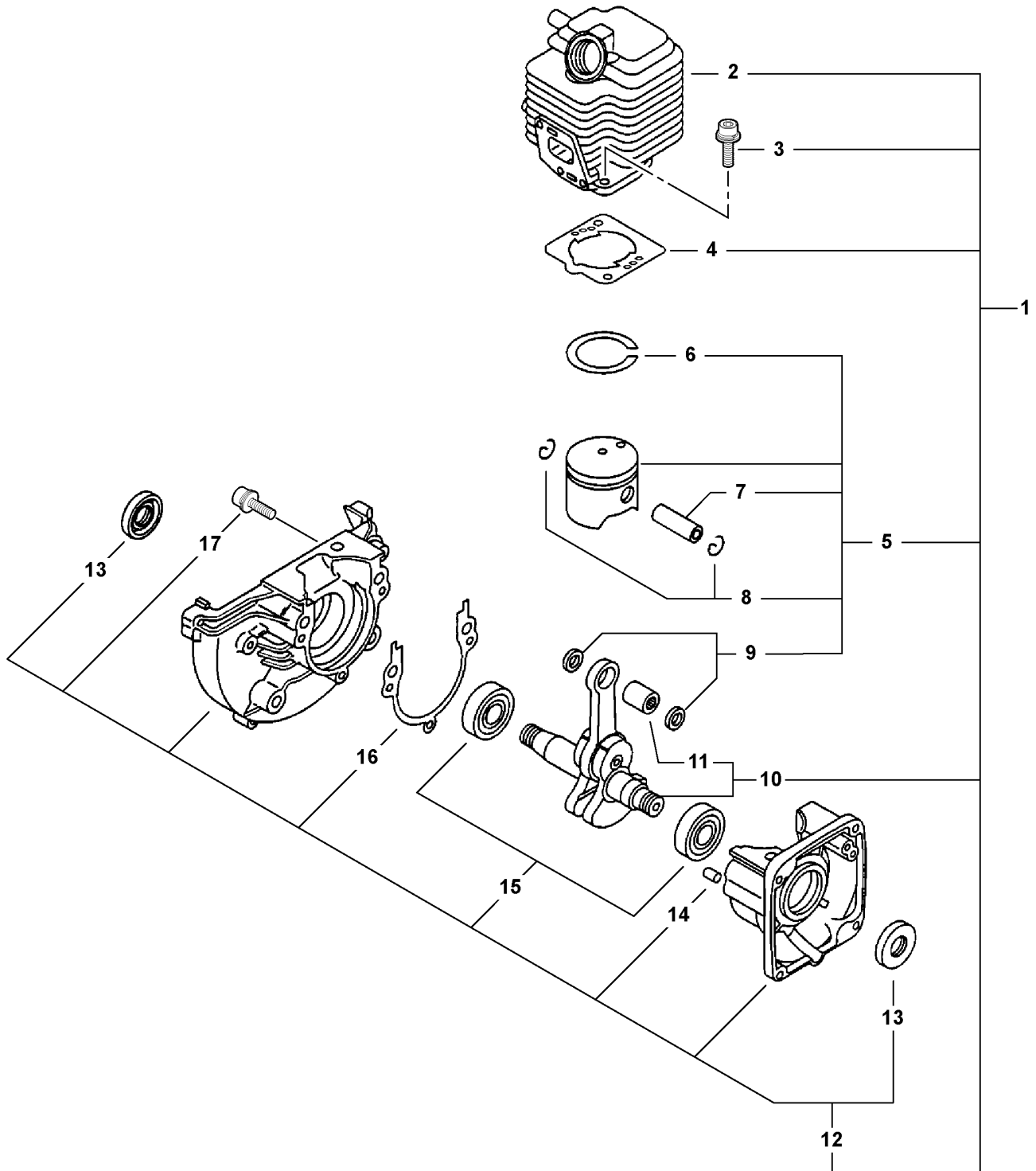


007 0043 00B

ITEM	PART NUMBER	QTY	DESCRIPTION	REMARKS
1	A411000140	1	COIL, IGNITION	
2	90016204020	2	SCREW 4X20	
3	15611054930	1	TUBE, INSULATOR	
4	15611240630	1	BUSHING	
5	15901201620	1	CAP, SPARK PLUG	
6	15901103432	1	TERMINAL, SPARK PLUG CAP	
7	15901019830	1	SPARK PLUG -- BPM-8Y <sup>1</sup>	
8	A425000000	1	SPARK PLUG -- BPMR-8Y <sup>1</sup>	CANADA MODELS
9	A409000210	1	FLYWHEEL	
10	16201052830	1	LEAD, IGNITION	

**Footnotes**

**1:** Also Included In REPOWER TUNE-UP KIT

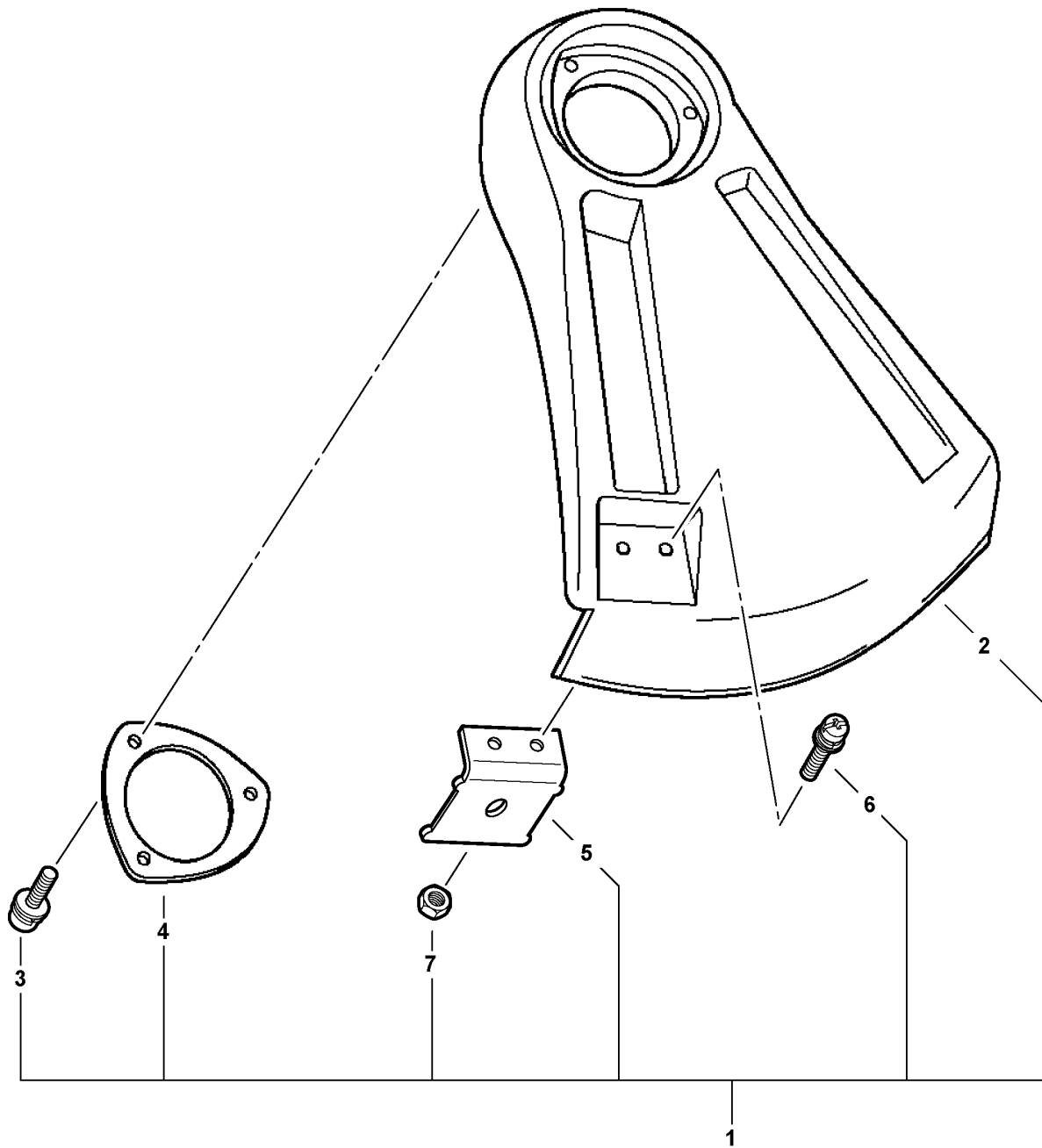


SB1072 0000 000

ITEM	PART NUMBER	QTY	DESCRIPTION	REMARKS
1	SB1072	1	SHORT BLOCK	INCLUDES ITEM 2-17
2	A130000540	1	CYLINDER	
3	90016205022	2	SCREW 5X22	
4	V100000160	1	GASKET, CYLINDER <sup>1</sup>	
5	P021007712	1	PISTON KIT	INCLUDES ITEMS 6-9
6	A101000090	1	RING, PISTON	
7	10001311520	1	PIN, PISTON	
8	10001504630	2	CIRCLIP, PISTON PIN	
9	10001411520	2	SPACER, PISTON PIN	
10	A011000101	1	CRANKSHAFT ASY	INCLUDES ITEM 11
11	V553000010	1	BEARING, NEEDLE	
12	10020452132	1	CRANKCASE KIT	INCLUDES ITEMS 13-17
13	10021242031	2	OIL SEAL	
14	V622000020	2	DOWEL PIN	
15	9403536201	2	BEARING, BALL - 6201	
16	10024242030	1	GASKET, CRANKCASE <sup>1</sup>	
17	90016205028	3	SCREW 5X28	

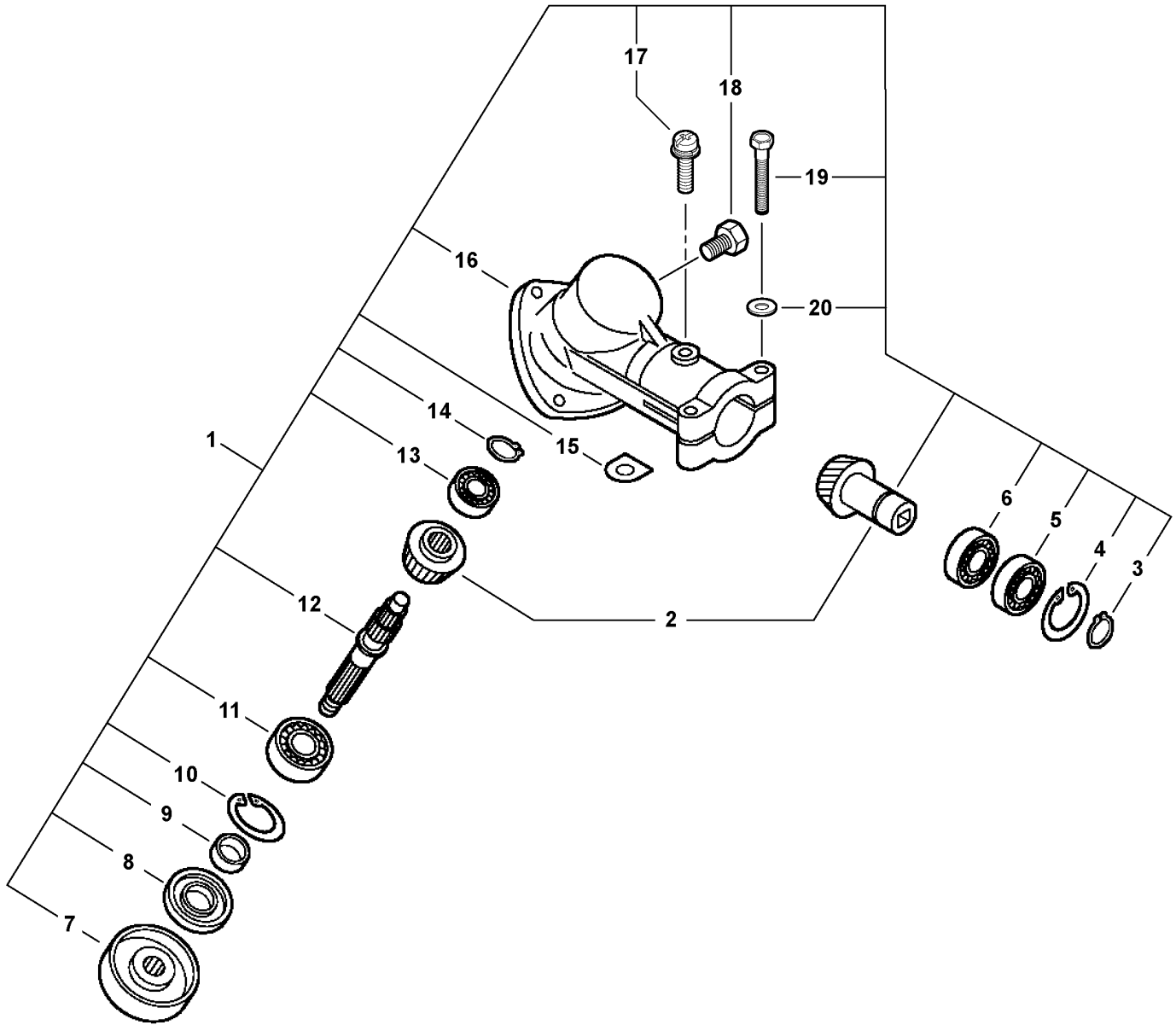
**Footnotes**

1: Also Included In GASKET KIT



034 0001 000

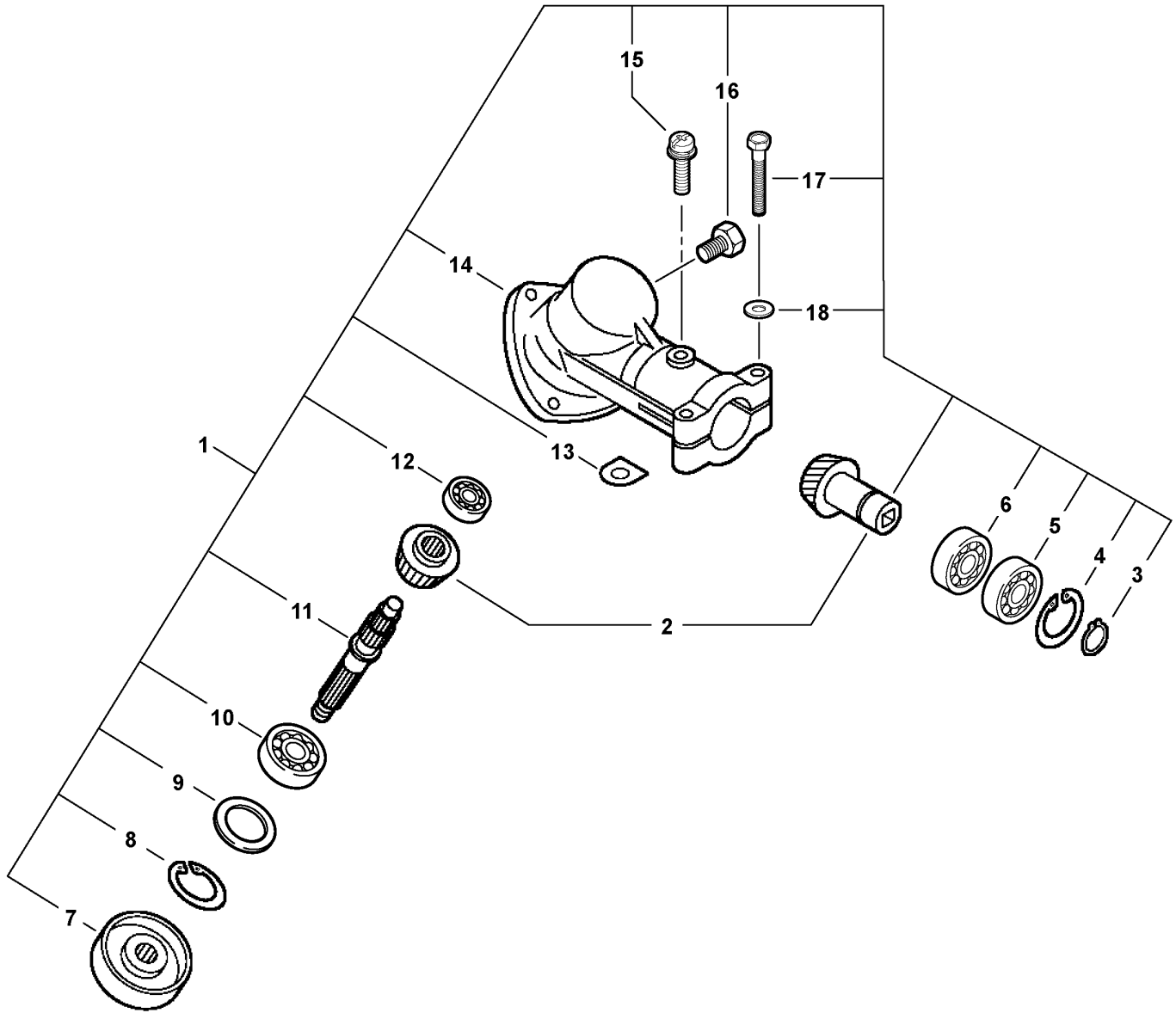
ITEM	PART NUMBER	QTY	DESCRIPTION	REMARKS
1	P021001392	1	PLASTIC SHIELD KIT	INCLUDES ITEMS 2-7
2	C550000031	1	SHIELD - PLASTIC	
3	90023805020	3	SCREW 5X20	
4	C552000110	1	FLANGE, SHIELD	
5	69901644330	1	CUTTER, LINE	
6	90023805016	2	SCREW 5X16	
7	90050000005	2	NUT 5	



032 0001 000

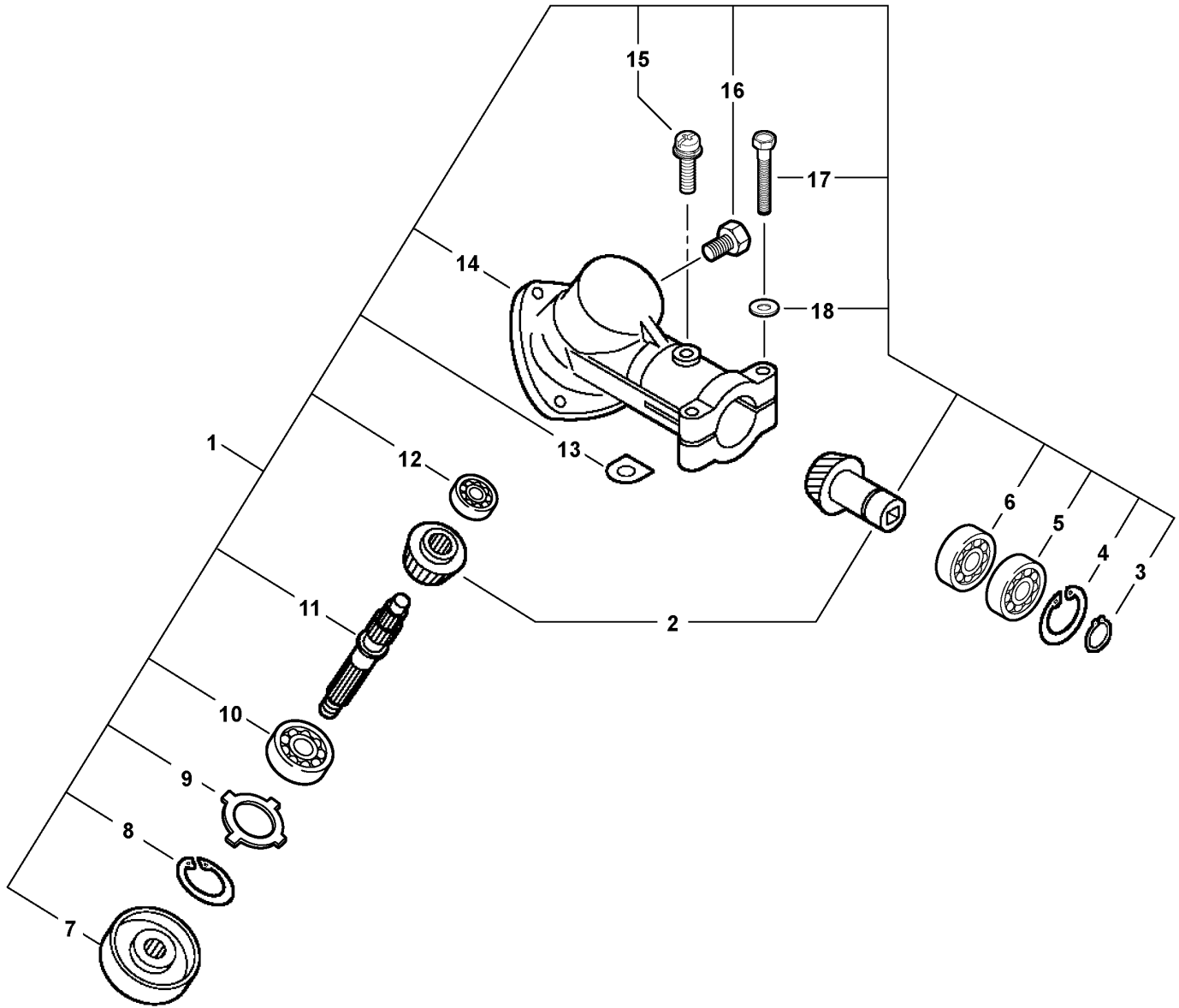


ITEM	PART NUMBER	QTY	DESCRIPTION	REMARKS
1	61040247732	1	GEAR CASE ASY	INCLUDES ITEMS 2-20
2	61030044830	1	GEAR SET	
3	90070600010	1	CIRCLIP 10	
4	90070200022	1	CIRCLIP 22	
5	90085806900	1	BEARING, BALL - 6900Z	
6	90085506900	1	BEARING, BALL - 6900	
7	61031347731	1	PLATE, ADAPTER (UPPER)	
8	61041307130	1	OIL SEAL	
9	61031507130	1	SPACER	
10	90070200032	1	CIRCLIP 32	
11	9403536201	1	BEARING, BALL - 6201	
12	61036008931	1	SHAFT, P.T.O.	
13	90080000609	1	BEARING, BALL - 609	
14	90070600012	1	CIRCLIP 12	
15	61023904130	2	WASHER, SHIM	
16	61046027431	1	HOUSING, GEAR	
17	90024205010	1	SCREW 5X10	
18	61043450031	1	BOLT 8X8	
19	90010005035	2	BOLT 5X35	
20	90060000005	2	WASHER 5	



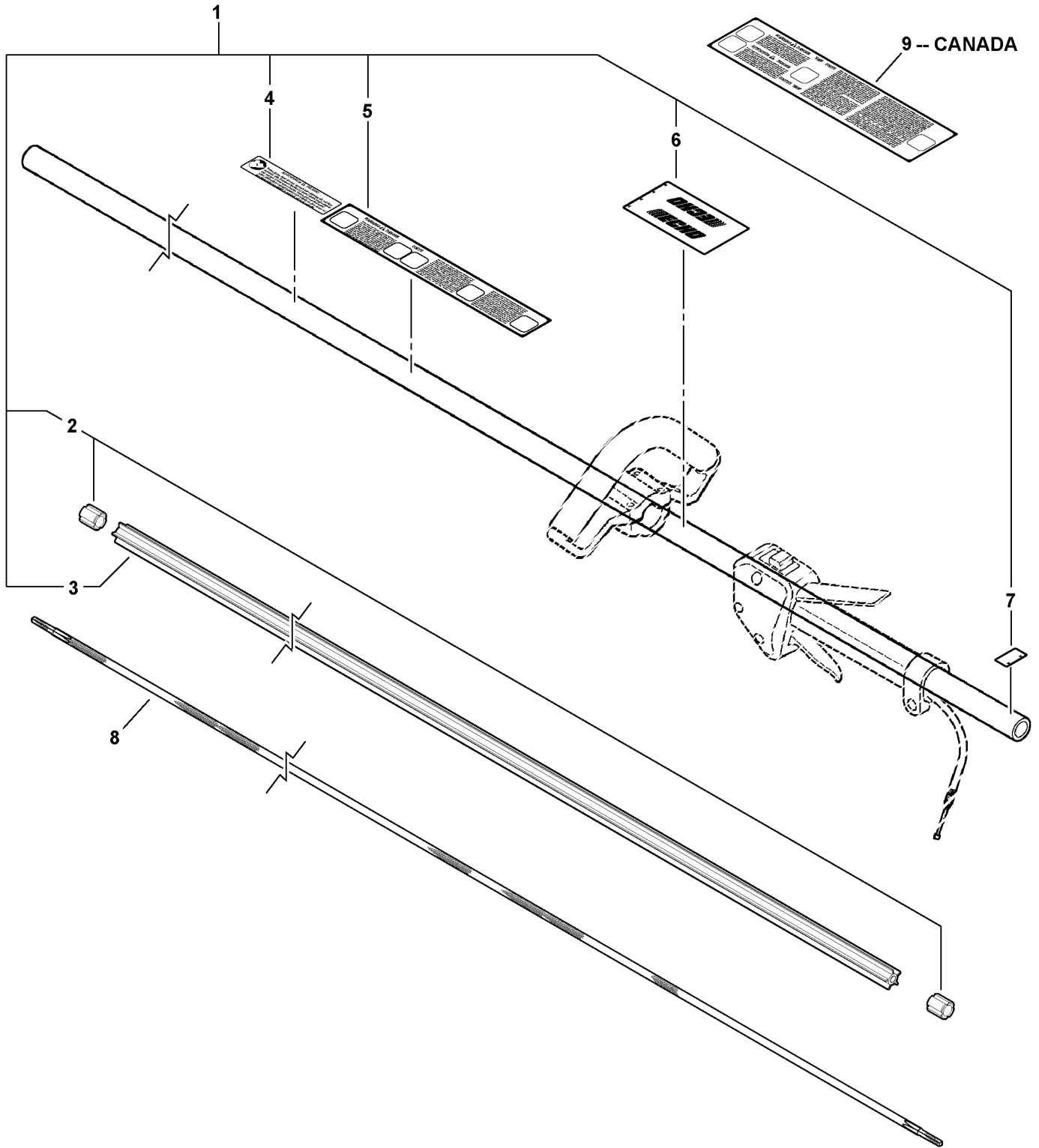
032 0010 BVA

ITEM	PART NUMBER	QTY	DESCRIPTION	REMARKS
1	P021008180	1	GEAR HOUSING ASY	INCLUDES ITEMS 2-18
2	61030044830	1	GEAR SET	
3	90070600010	1	CIRCLIP 10	
4	90070200022	1	CIRCLIP 22	
5	9406306900	1	BEARING, BALL 6900Z	
6	9406006900	1	BEARING, BALL 6900	
7	C535000210	1	PLATE, ADAPTER - UPPER	
8	90070200032	1	CIRCLIP 32	
9	V340000130	1	WASHER	
10	90081206201	1	BEARING, BALL 6201	
11	C534000270	1	SHAFT, P.T.O.	
12	9406000609	1	BEARING, BALL 609	
13	61023904130	2	SHIM WASHER	
14	C531000310	1	HOUSING, GEAR	
15	90024205010	1	SCREW 5X10	
16	61043450031	1	BOLT 8X8	
17	90010005035	2	BOLT 5X35	
18	90060000005	2	WASHER 5	



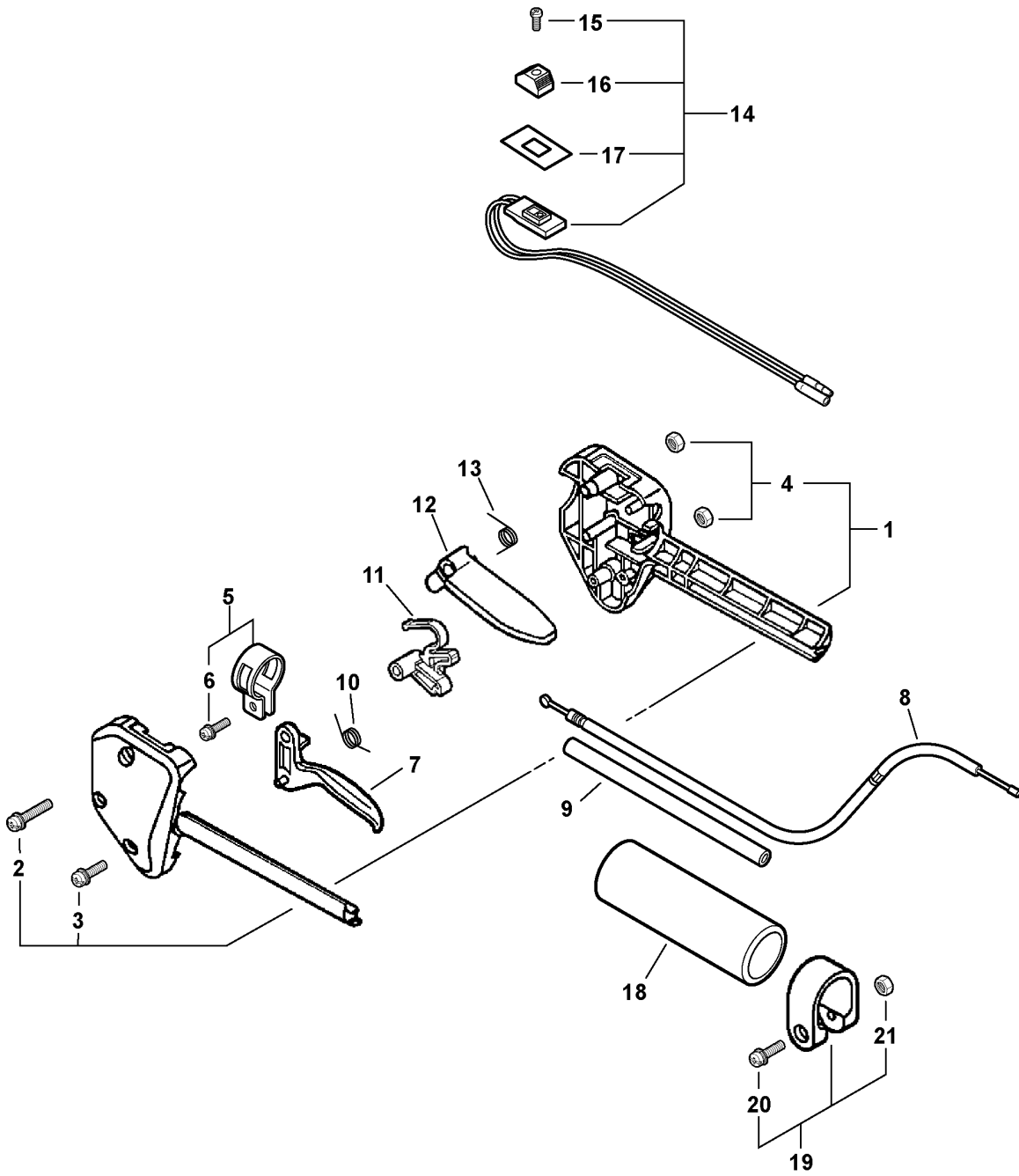
032 0010 0VA

ITEM	PART NUMBER	QTY	DESCRIPTION	REMARKS
1	P021008181	1	GEAR HOUSING ASY	INCLUDES ITEMS 2-18
2	61030044830	1	GEAR SET	
3	90070600010	1	CIRCLIP 10	
4	90070200022	1	CIRCLIP 22	
5	9406306900	1	BEARING, BALL 6900Z	
6	9406006900	1	BEARING, BALL 6900	
7	C535000210	1	PLATE, ADAPTER - UPPER	
8	90070200032	1	CIRCLIP 32	
9	V340000180	1	WASHER	
10	90081206201	1	BEARING, BALL 6201	
11	C534000270	1	SHAFT, P.T.O.	
12	9406000609	1	BEARING, BALL 609	
13	61023904130	2	SHIM WASHER	
14	C531000310	1	HOUSING, GEAR	
15	90024205010	1	SCREW 5X10	
16	61043450031	1	BOLT 8X8	
17	90010005035	2	BOLT 5X35	
18	90060000005	2	WASHER 5	



031 0009 000

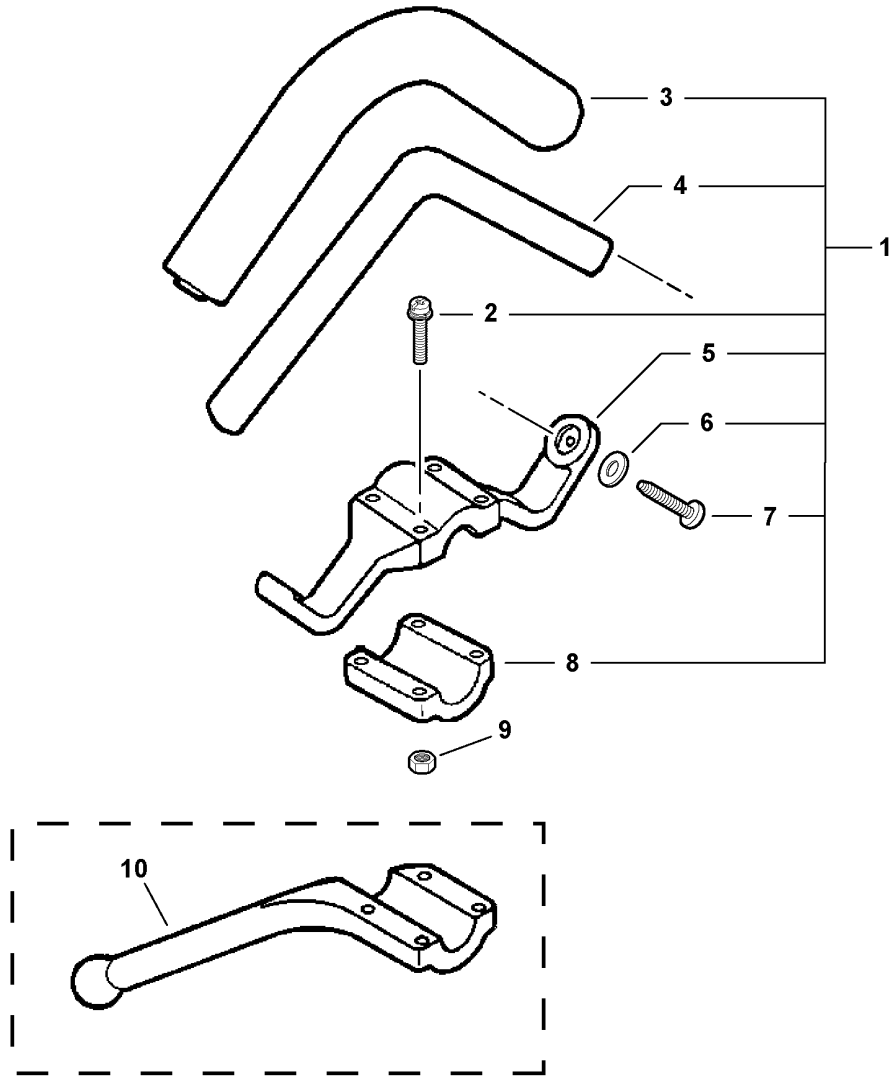
ITEM	PART NUMBER	QTY	DESCRIPTION	REMARKS
1	61060944730	1	MAIN PIPE ASY	INCLUDES ITEMS 2-7
2	61024644730	2	STOPPER	
3	61021744730	1	LINER, FLEXIBLE	
4	89022809560	1	LABEL - CAUTION -- SPANISH	
5	89016054130	1	LABEL, CAUTION - US	
6	X505001930	1	LABEL - HANDLE LOCATION	
7	89015204930	1	LABEL - PIPE LOCATION	
8	61001344730	1	DRIVESHAFT - FLEXIBLE	
9	89031749030	1	LABEL, CAUTION - CANADA	



030 0035 000



ITEM	PART NUMBER	QTY	DESCRIPTION	REMARKS
1	17800352130	1	CONTROL HANDLE KIT	INCLUDES ITEMS 2-4
2	90024205035	1	SCREW 5X35	
3	90024205025	1	SCREW 5X25	
4	90050000005	2	NUT 5	
5	30120029430	1	BAND ASY	INCLUDES ITEM 6
6	90024205014	1	SCREW 5X14	
7	17801052130	1	TRIGGER, THROTTLE	
8	V430000730	1	CABLE, THROTTLE	
9	17812750330	1	TUBE, VINYL	
10	17804342230	1	SPRING, THROTTLE RETURN	
11	17801252730	1	LOCKOUT, THROTTLE TRIGGER	
12	17809052631	1	LEVER, THROTTLE TRIGGER LOCKOUT	
13	17801352630	1	SPRING, THROTTLE LOCKOUT	
14	16340155631	1	IGNITION SWITCH KIT	INCLUDES ITEMS 15-17
15	9154503010	1	SCREW 3X10	
16	16341049231	1	KNOB, SWITCH	
17	89015712330	1	COVER, SWITCH	
18	35121352130	1	GRIP, HANDLE	
19	61027252130	1	CLAMP KIT	INCLUDES ITEMS 20-21
20	90024205028	1	SCREW 5X28	
21	90050000005	1	NUT 5	



030 0008 000

ITEM	PART NUMBER	QTY	DESCRIPTION	REMARKS
1	P021000021	1	FRONT HANDLE ASY	INCLUDES ITEMS 2-9
2	90024205035	4	SCREW 5X35	
3	35121666230	1	GRIP, HANDLE	
4	35120566230	1	HANDLE, FRONT	
5	35123266230	1	BRACKET, HANDLE - UPPER	
6	90060000005	2	WASHER 5	
7	90025305020	2	SCREW 5	
8	35122507130	1	BRACKET, HANDLE - LOWER	
9	90050000005	4	NUT 5	
10	99944200455	1	BAR, BARRIER	



100 0086 00C

ITEM	PART NUMBER	QTY	DESCRIPTION	REMARKS
1	89012152730	1	LABEL - CHOKE	
2	89033252730	1	LABEL - CHOKE	CANADA MODELS
3	89016006361	1	LABEL - CAUTION -- HOT	
4	X502000150	1	LABEL - ECHO	
5	X532000671	1	LABEL - SPARK PLUG -- BPM-8Y	
6	X532000720	1	LABEL - SPARK PLUG -- BPMR-8Y	CANADA MODELS
7	X543000170	1	LABEL - MODEL -- SRM-210	
8	X543000180	1	LABEL - MODEL -- SRM-210SB	
9	X543000190	1	LABEL - MODEL -- SRM-210U	
10	X503001290	1	LABEL - MODEL -- SRM-211	
11	X503001580	1	LABEL - MODEL -- SRM-211SB	
12	X503001690	1	LABEL - MODEL -- SRM-211U	

<b>Use Gasket Kit</b>	<b>Contains:</b>	<b>Service Number</b>	<b>Description</b>
P021008260		10024242030	GASKET, CRANKCASE
		13001013410	GASKET, INTAKE
		13001042032	GASKET, INTAKE
		14586642031	GASKET, EXHAUST
		V100000160	GASKET, CYLINDER
		V104000360	GASKET, EXHAUST
		V104000500	SHIELD, EXHAUST

300 0009 000

---

<u>ITEM</u>	<u>PART NUMBER</u>	<u>QTY</u>	<u>DESCRIPTION</u>	<u>REMARKS</u>
1	P021008260	1	GASKET KIT	

---

<b>RePower Tune-Up Kit</b>	<b>Contains: Service Number</b>	<b>Description</b>
90074	13031054130	AIR FILTER
	13120507320	FUEL FILTER
	15901019830	SPARK PLUG BPM-8Y



---

<u>ITEM</u>	<u>PART NUMBER</u>	<u>QTY</u>	<u>DESCRIPTION</u>	<u>REMARKS</u>
1	90074	1	TUNE-UP KIT	

---

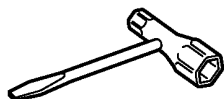
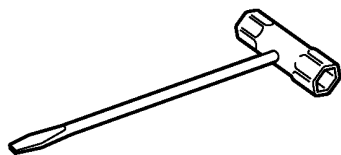
**SOCKET WRENCH W/SCREWDRIVER (Also Remove Spark Plugs)**

1 - 89541010630 -- 17X19mm

2 - X602000020 -- 17X19mm

3 - 89541039131 -- 10X19mm

4 - 89541006960 -- 13X19mm



**SOCKET WRENCH**

5 - X602000031 -- 17X14.5mm



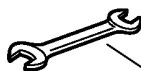
**LOCKING BAR**

6 - 89751801131 -- 5X120mm



**OPEN END WRENCH**

7 - 89511200330 -- 8X10mm



8 - 89512220960 -- 17X19mm

9 - 89501505260 -- 10mm



**HEX BAR**

10 - 89541220960 -- 10mm



**L-WRENCH**

11 - 89561203430 -- 3mm HEX KEY



12 - 89561000130 -- 4mm HEX KEY



13 - 89561100330 -- 5mm HEX KEY

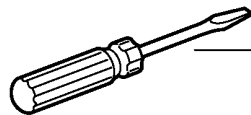


14 - X605000050 -- 3mm TORX

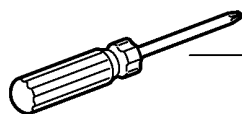


**SCREWDRIVER**

15 - 89581100130 -- 125mm SLOTTED



16 - 89581203930 -- 50mm PHILLIPS



200 0002 000

ITEM	PART NUMBER	QTY	DESCRIPTION	REMARKS
1	89541010630	1	SOCKET WRENCH/SCREWDRIVER	17X19mm
2	X602000020	1	SOCKET WRENCH/SCREWDRIVER	17X19mm
3	89541039131	1	SOCKET WRENCH/SCREWDRIVER	10X19mm
4	89541006960	1	SOCKET WRENCH/SCREWDRIVER	13X19mm
5	X602000031	1	SOCKET WRENCH	17X14.5mm
6	89751801131	1	LOCKING BAR	5X120mm
7	89511200330	1	OPEN END WRENCH	8X10mm
8	89512220960	1	OPEN END WRENCH	17X19mm
9	89501505260	1	OPEN END WRENCH	10mm
10	89541220960	1	HEX BAR	10mm
11	89561203430	1	HEX KEY	3mm
12	89561000130	1	HEX KEY	4mm
13	89561100330	1	HEX KEY	5mm
14	X605000050	1	TORX KEY	3mm
15	89581100130	1	SCREWDRIVER	SLOTTED HEAD
16	89581203930	1	SCREWDRIVER	PHILLIPS HEAD



# Part Number Index

Click The Page Number After Any Part Number To View The Diagram Containing That Part.

Part Number	Page	Part Number	Page	Part Number	Page
-----	7, 9	61090355230	17	A162000050	5
10001311520	21	61091055230	17	A313000350	11
10001411520	21	61092227432	17	A350000290	15
10001504630	21	61092355230	17	A356000030	15
10020452132	21	69901644330	23	A409000210	19
10021242031	21	89012152730	37	A411000140	19
10024242030	21	89015204930	31	A425000000	19
10150352131	17	89015712330	33	C531000310	27, 29
12531061830	9	89016006361	37	C534000270	27, 29
12533942030	9	89016054130	31	C535000210	27, 29
12534252130	9	89022809560	31	C550000031	23
12534413931	9	89031749030	31	C552000110	23
12534452130	9	89033252730	37	P005000100	9
12538108660	9	89501505260	43	P005000190	9
12901152730	7	89511200330	43	P005000250	9
13001013410	7	89512220960	43	P005000270	9
13001042032	7	89541006960	43	P005000280	9
13001744330	7	89541010630	43	P005000930	9
13031054130	7	89541039131	43	P005001000	9
13031305863	7	89541220960	43	P005001240	9
13031306563	7	89561000130	43	P005001260	9
13100455530	15	89561100330	43	P005001270	9
13101655830	15	89561203430	43	P005001320	9
13105156030	15	89581100130	43	P005001330	9
13120507320	15	89581203930	43	P005001660	9
13201256030	15	89751801131	43	P005001670	9
13201309820	15	90010005035	25, 27, 29	P021000021	35
14580642030	11	90010505055	11	P021000991	7
14586240630	11	90014205025	17	P021001392	23
14586642031	11	90016204020	19	P021004480	7
15611054930	19	90016205020	15	P021007712	21
15611240630	19	90016205022	21	P021008180	27
15901019830	19	90016205028	21	P021008181	29
15901103432	19	90016304016	5, 13, 17	P021008260	39
15901201620	19	90022005065	7	P022002100	13
16201052830	19	90023805016	5, 23	P022006510	13
16340155631	33	90023805020	7, 23	P022006830	13
16341049231	33	90024204010	11	P022006850	13
17500056830	17	90024205010	25, 27, 29	P022008260	13
17500548931	17	90024205014	33	P022008270	13
17722042030	13	90024205025	33	P022008280	13
17722742030	13	90024205028	33	SB1072	21
17722827030	13	90024205035	33, 35	V100000160	21
17723661830	13	90025305020	35	V104000500	11
17724611120	13	90050000005	7, 23, 33, 35	V137000030	15
17800352130	33	90060000005	11, 25, 27, 29, 35	V340000130	27
17801052130	33	90060300005	15	V340000180	29
17801252730	33	90070100012	17	V430000730	33
17801352630	33	90070200022	25, 27, 29	V471001190	15
17804342230	33	90070200028	17	V471001200	15
17809052631	33	90070200032	25, 27, 29	V553000010	21
17812750330	33	90070600010	25, 27, 29	V622000020	17, 21
21041752730	7	90070600012	25	X502000150	37
30120029430	33	90074	41	X503001290	37
35120566230	35	90080000609	25	X503001580	37
35121352130	33	90080796001	17	X503001690	37
35121666230	35	90081206201	27, 29	X505001930	31
35122507130	35	90085506900	25	X532000671	37
35123266230	35	90085806900	25	X532000720	37
61001344730	31	9110704008	5	X543000170	37
61021744730	31	9154503010	33	X543000180	37
61023904130	25, 27, 29	9403536201	21, 25	X543000190	37
61024644730	31	9406000609	27, 29	X602000020	43
61027252130	33	9406006900	27, 29	X602000031	43
61030044830	25, 27, 29	9406306900	27, 29	X605000050	43
61031347731	25	99944200455	35		
61031507130	25	A011000101	21		
61036008931	25	A021000740	9		
61040247732	25	A051000680	13		
61041307130	25	A052000180	13		
61043450031	25, 27, 29	A101000090	21		
61046027431	25	A130000540	21		
61060944730	31	A160000570	5		



# Part Description Index

Click The Page Number After Any Part Description To View The Diagram Containing That Part.

## B

BAND ASY.....33  
 BAR, BARRIER.....35  
 BEARING, BALL - 6001.....17  
 BEARING, BALL - 609.....25  
 BEARING, BALL - 6201.....21, 25  
 BEARING, BALL - 6900.....25  
 BEARING, BALL - 6900Z.....25  
 BEARING, BALL 609.....27, 29  
 BEARING, BALL 6201.....27, 29  
 BEARING, BALL 6900.....27, 29  
 BEARING, BALL 6900Z.....27, 29  
 BEARING, NEEDLE.....21  
 BODY, CARBURETOR.....9  
 BOLT 5X25.....17  
 BOLT 5X35.....25, 27, 29  
 BOLT 8X8.....25, 27, 29  
 BRACKET, HANDLE - LOWER.....35  
 BRACKET, HANDLE - UPPER.....35  
 BULB, PURGE.....9  
 BUSHING.....19

## C

CABLE, THROTTLE.....33  
 CAP ASY.....15  
 CAP, SPARK PLUG.....19  
 CARBURETOR.....7  
 CARBURETOR -- RB-K75.....9  
 CASE, AIR CLEANER -- BLACK.....7  
 CASE, AIR CLEANER -- GRAY.....7  
 CIRCLIP 10.....25, 27, 29  
 CIRCLIP 12.....17, 25  
 CIRCLIP 22.....25, 27, 29  
 CIRCLIP 28.....17  
 CIRCLIP 32.....25, 27, 29  
 CIRCLIP, PISTON PIN.....21  
 CLAMP KIT.....33  
 CLIP.....15  
 CLIP, STARTER ROPE.....13  
 CLUTCH ASY.....17  
 COIL, IGNITION.....19  
 CONNECTOR, CAP.....15  
 CONTROL HANDLE KIT.....33  
 COVER, DIAPHRAGM.....9  
 COVER, ENGINE.....5  
 COVER, SWITCH.....33  
 CRANKCASE KIT.....21  
 CRANKSHAFT ASY.....21  
 CUSHION.....17  
 CUTTER, LINE.....23  
 CYLINDER.....21

## D

DIAPHRAGM, METERING.....9  
 DIAPHRAGM, PUMP.....9  
 DIAPHRAGM/GASKET KIT.....9  
 DOWEL PIN.....17, 21  
 DRIVESHAFT - FLEXIBLE.....31  
 DRUM.....13  
 DRUM, CLUTCH.....17

## E

E-RING.....9, 13

## F

FAN COVER ASY.....17  
 FILTER, AIR.....7  
 FILTER, FUEL.....15  
 FLANGE, SHIELD.....23  
 FLYWHEEL.....19  
 FRONT HANDLE ASY.....35

## G

GASKET KIT.....39  
 GASKET, CAP.....15  
 GASKET, CRANKCASE.....21  
 GASKET, CYLINDER.....21  
 GASKET, EXHAUST.....11  
 GASKET, INTAKE.....7  
 GASKET, METERING.....9  
 GASKET, PUMP.....9  
 GEAR CASE ASY.....25  
 GEAR HOUSING ASY.....27, 29  
 GEAR SET.....25, 27, 29  
 GRIP, HANDLE.....33, 35  
 GRIP, STARTER.....13  
 GROMMET.....15  
 GUARD, TOP.....5  
 GUIDE, EXHAUST.....11  
 GUIDE, ROPE.....13

## H

HANDLE, FRONT.....35  
 HEX BAR.....43  
 HEX KEY.....43  
 HOLDER.....17  
 HOLDER KIT.....17  
 HOUSING, GEAR.....25, 27, 29

## I

IGNITION SWITCH KIT.....33  
 INSULATOR, INTAKE.....7

## K

KNOB, SWITCH.....33

## L

LABEL - CAUTION -- HOT.....37  
 LABEL - CAUTION -- SPANISH.....31  
 LABEL - CHOKE.....37  
 LABEL - ECHO.....37  
 LABEL - HANDLE LOCATION.....31  
 LABEL - MODEL -- SRM-210.....37  
 LABEL - MODEL -- SRM-210SB.....37  
 LABEL - MODEL -- SRM-210U.....37  
 LABEL - MODEL -- SRM-211.....37  
 LABEL - MODEL -- SRM-211SB.....37  
 LABEL - MODEL -- SRM-211U.....37  
 LABEL - PIPE LOCATION.....31  
 LABEL - SPARK PLUG -- BPM-8Y.....37  
 LABEL - SPARK PLUG -- BPMR-8Y.....37  
 LABEL, CAUTION - CANADA.....31  
 LABEL, CAUTION - US.....31  
 LEAD, IGNITION.....19  
 LEVER, METERING.....9  
 LEVER, THROTTLE TRIGGER LOCKOUT.....33

LID, AIR CLEANER -- BLACK.....7  
 LID, AIR CLEANER -- GRAY.....7  
 LINER, FLEXIBLE.....31  
 LOCKING BAR.....43  
 LOCKOUT, THROTTLE TRIGGER.....33

## M

MAIN PIPE ASY.....31  
 MUFFLER.....11

## N

NEEDLE - HIGH SPEED.....9  
 NUT 5.....7, 23, 33, 35

## O

OIL SEAL.....21, 25  
 OPEN END WRENCH.....43  
 O-RING.....9

## P

PAWL, STARTER.....13  
 PIN, METERING LEVER.....9  
 PIN, PISTON.....21  
 PIPE, FUEL - 3X5X180mm.....15  
 PIPE, RETURN - 3X6X80mm.....15  
 PIPE, VENT - 3X5X70mm.....15  
 PISTON KIT.....21  
 PLASTIC SHIELD KIT.....23  
 PLATE, ADAPTER - UPPER.....27, 29  
 PLATE, ADAPTER (UPPER).....25  
 PLATE, CAM.....13  
 PLATE, PREVENT.....7  
 PLUG.....9  
 PURGE BASE ASY.....9

## R

REPAIR KIT.....9  
 RETAINER, PURGE BULB.....9  
 RING, PISTON.....21  
 ROLLER, GUIDE.....9  
 ROPE, STARTER - 3X700mm.....13  
 ROTOR COVER ASY.....9

## S

SCREEN, MUFFLER.....11  
 SCREW.....5, 13  
 SCREW 3X10.....33  
 SCREW 4X10.....11  
 SCREW 4X16.....5, 13, 17  
 SCREW 4X20.....19  
 SCREW 5.....35  
 SCREW 5X10.....25, 27, 29  
 SCREW 5X14.....33  
 SCREW 5X16.....5, 23  
 SCREW 5X20.....7, 15, 23  
 SCREW 5X22.....21  
 SCREW 5X25.....33  
 SCREW 5X28.....21, 33  
 SCREW 5X35.....33, 35  
 SCREW 5X55.....11  
 SCREW 5X65.....7  
 SCREW, CABLE ADJUST.....9  
 SCREW, DIAPHRAGM COVER.....9



# Part Description Index (continued)

---

SCREW, METERING LEVER PIN.....9  
 SCREW, PURGE BASE ASY.....9  
 SCREW, PURGE BULB RETAINER.....9  
 SCREW, ROTOR COVER.....9  
 SCREW, ROTOR COVER ASY.....9  
 SCREW, THROTTLE ADJUST.....9  
 SCREWDRIVER.....43  
 SHAFT, P.T.O.....25, 27, 29  
 SHIELD - PLASTIC.....23  
 SHIELD, EXHAUST.....11  
 SHIELD, INTAKE.....7  
 SHIM WASHER.....27, 29  
 SHORT BLOCK.....21  
 SOCKET WRENCH.....43  
 SOCKET WRENCH/SCREWDRIVER.....43  
 SPACER.....25  
 SPACER, PISTON PIN.....21  
 SPARK PLUG -- BPM-8Y.....19  
 SPARK PLUG -- BPMR-8Y.....19  
 SPRING, DAMPER.....13  
 SPRING, METERING LEVER.....9  
 SPRING, PAWL RETURN.....13  
 SPRING, REWIND.....13  
 SPRING, THROTTLE LOCKOUT.....33  
 SPRING, THROTTLE RETURN.....33  
 STARTER ASY.....13  
 STARTER PAWL ASY.....13  
 STOPPER.....31  
 STRAINER.....9  
 SWIVEL.....9

## T

TANK, FUEL.....15  
 TERMINAL, SPARK PLUG CAP.....19  
 TORX KEY.....43  
 TRIGGER, THROTTLE.....33  
 TUBE, INSULATOR.....19  
 TUBE, VINYL.....33  
 TUNE-UP KIT.....41

## V

VALVE, INLET NEEDLE.....9  
 VENT ASY.....15

## W

WASHER.....11, 27, 29  
 WASHER 5.....15, 25, 27, 29, 35  
 WASHER, SHIM.....25  
 WING BOLT.....7

## **NOTES**



**ECHO, INCORPORATED**

400 Oakwood Road  
Lake Zurich, IL 60047 USA

[WWW.ECHO-USA.COM](http://WWW.ECHO-USA.COM)

---