



OPTIONAL ATTACHMENTS & ACCESSORIES

Accessories

35130454230	U-Handle Kit
99944200200	SRM Shoulder Harness Kit
99944200411	20mm Blade Conversion Kit
99944200415	Universal Blade Conversion Kit
99944200455	Barrier Bar
99944200521	U-Handle_Blade Conversion Combo Kit
SRAC-200	Tiller/Cultivator Attachment

Cutting Heads

215511	Pro Maxi-Cut Head
21560030	ECHOMATIC Pro Head
21560031	SRM ECHOMATIC Pro Head
21560050	SRM ECHOMATIC Head
21560055	Semi-Auto Head Assembly
21560056	2-Line Rapid Loader Trimmer Head
21560060	SRM Manual Dual Line Head
99944200230	Semi-Auto Dual Line Head
99944200900	U-Turn Head

Maintenance and RePower Kits

90008	Filter Kit
90010	RePower Cap & Vent Kit
90074	RePower Tune-Up Kit
P021003900	Gasket Kit

PARTS CATALOG

SRM-230 Trimmer

22.8cc

SERIAL NUMBERS

S/N: 06001001 - 06999999

ECHO, INCORPORATED

400 Oakwood Road Lake Zurich, Illinois 60047 USA

WWW.ECHO-USA.COM



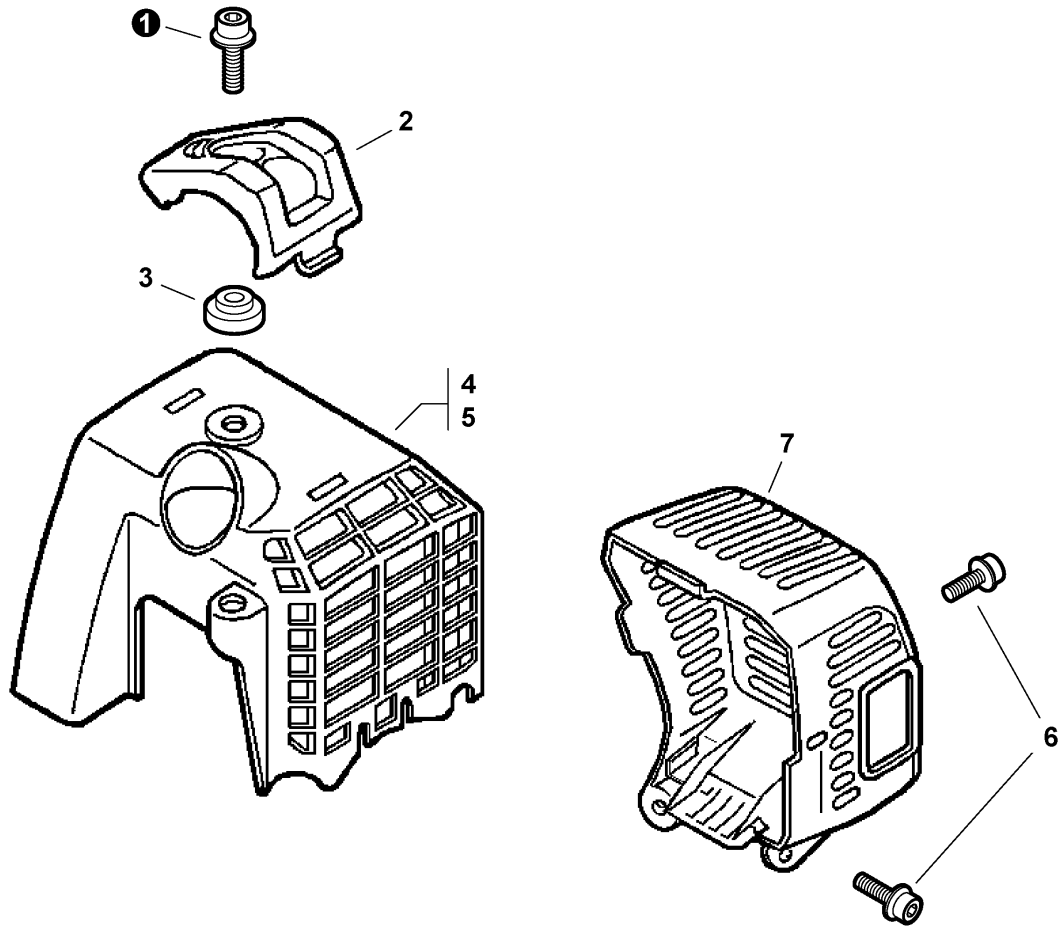
Table of Contents

Click Any Diagram Description Below To View That Diagram.

SRM-230 S/N: 06001001 - 06999999

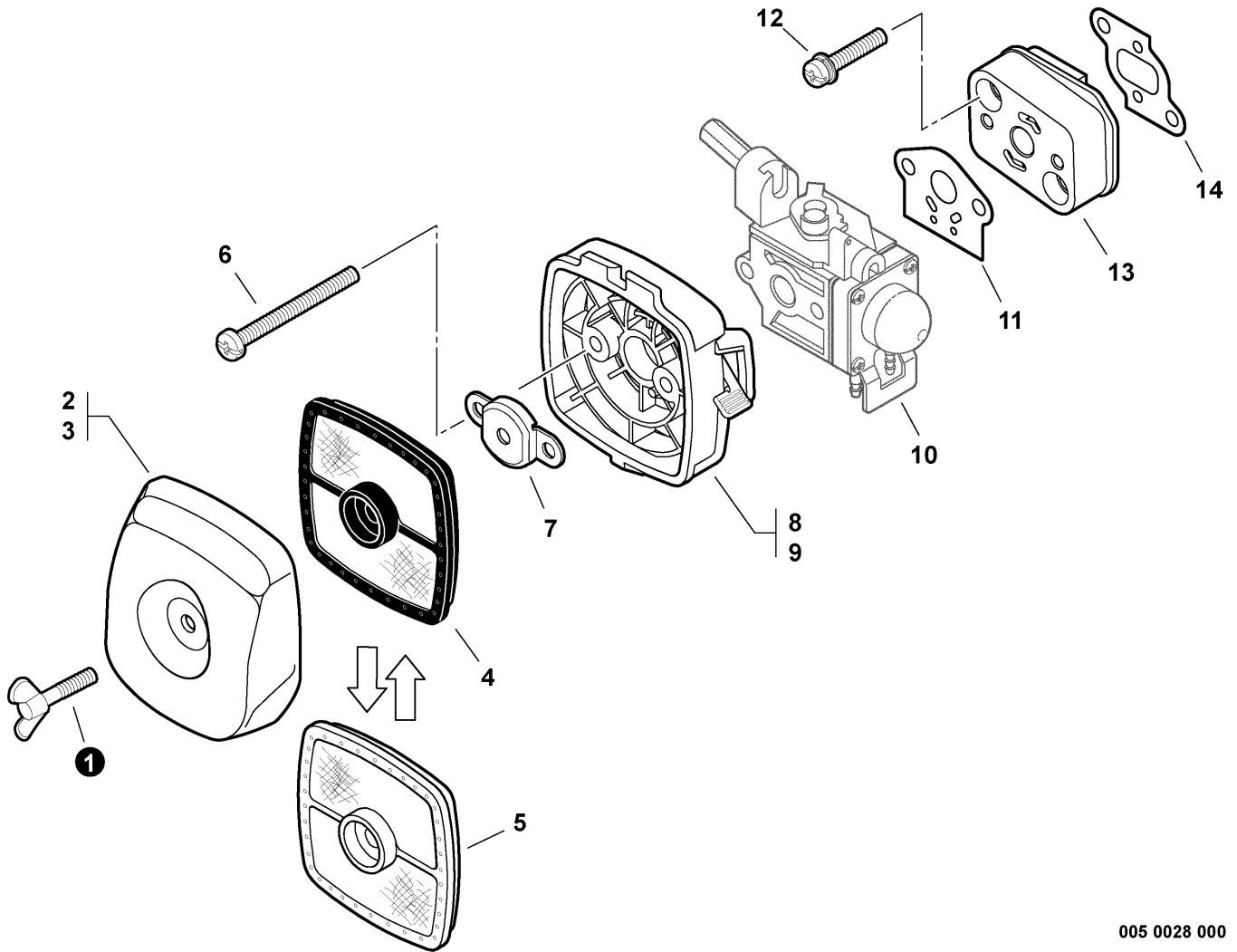
Engine Cover, Exhaust Cover.....	4
Intake.....	6
Carburetor -- RB-K70A.....	8
Exhaust.....	10
Fuel System.....	12
Fan Case, Clutch -- GRAY MODELS.....	14
Starter -- Standard.....	16
Ignition.....	18
Engine, Short Block -- SB1061.....	20
Debris Shield - Plastic.....	22
Gear Case.....	24
Front Handle.....	26
Control Handle, Throttle Cable, Ignition Switch.....	28
Main Pipe Assembly, Driveshaft.....	30
Labels.....	32
Part Number Index.....	34
Part Description Index.....	35

This Page Intentionally Left Blank



001 0016 000

ITEM	PART NUMBER	QTY	DESCRIPTION	REMARKS
1	9111005016	1	SCREW - 5X16	
2	A162000000	1	GUARD, TOP	
3	V353000020	1	COLLAR - 5	
4	A160000040	1	COVER, ENGINE - GRAY	
5	A160000060	1	COVER, ENGINE - ORANGE	
6	90010605012	2	SCREW - 5X12	
7	A320000003	1	COVER, EXHAUST	

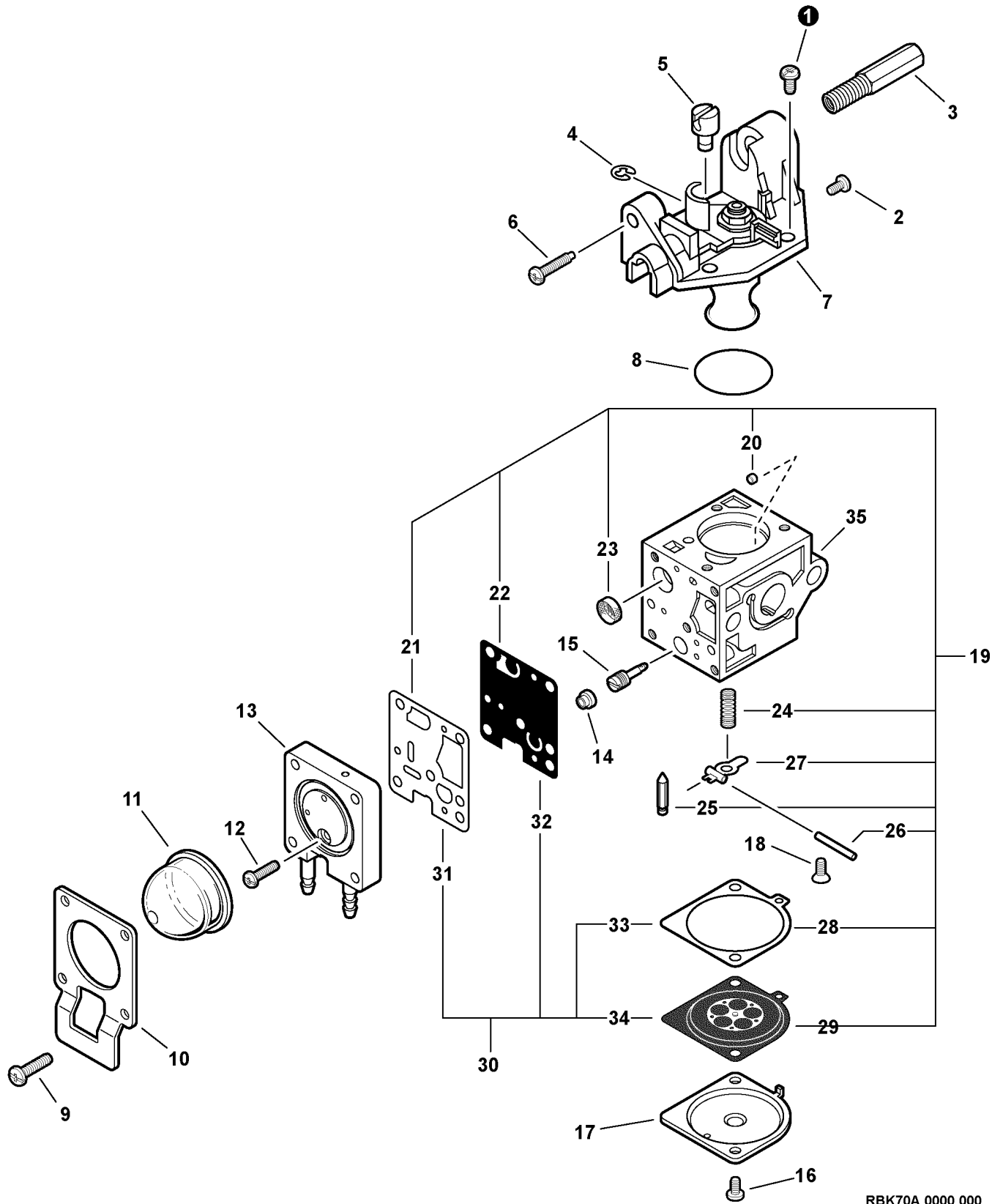


005 0028 000

ITEM	PART NUMBER	QTY	DESCRIPTION	REMARKS
1	21041752730	1	THUMBSCREW	
2	13031306563	1	COVER, AIR CLEANER - GRAY	
3	13031305863	1	COVER, AIR CLEANER - BLACK	
4	A226001410	1	FILTER, AIR - DOUBLE LAYER ¹	
5	13031054130	1	FILTER, AIR - SINGLE LAYER ²	
6	90024205060	2	SCREW - 5X60	
7	12901152730	1	PLATE, PREVENT	
8	P021000991	1	CASE, AIR CLEANER - GRAY	
9	P021004480	1	CASE, AIR CLEANER - BLACK	
10	-----	1	CARBURETOR ³	
11	13001013410	1	GASKET, INTAKE ⁴	
12	90016205025	2	SCREW - 5X25	
13	13001756431	1	INSULATOR, INTAKE	
14	13001055930	1	GASKET, INTAKE ⁵	

Footnotes

- 1:** Included In RePower TUNE-UP KIT
- 2:** OPTIONAL
- 3:** See Carburetor Diagrams For Details
- 4:** Also Included In GASKET KIT
- 5:** Included In GASKET KIT

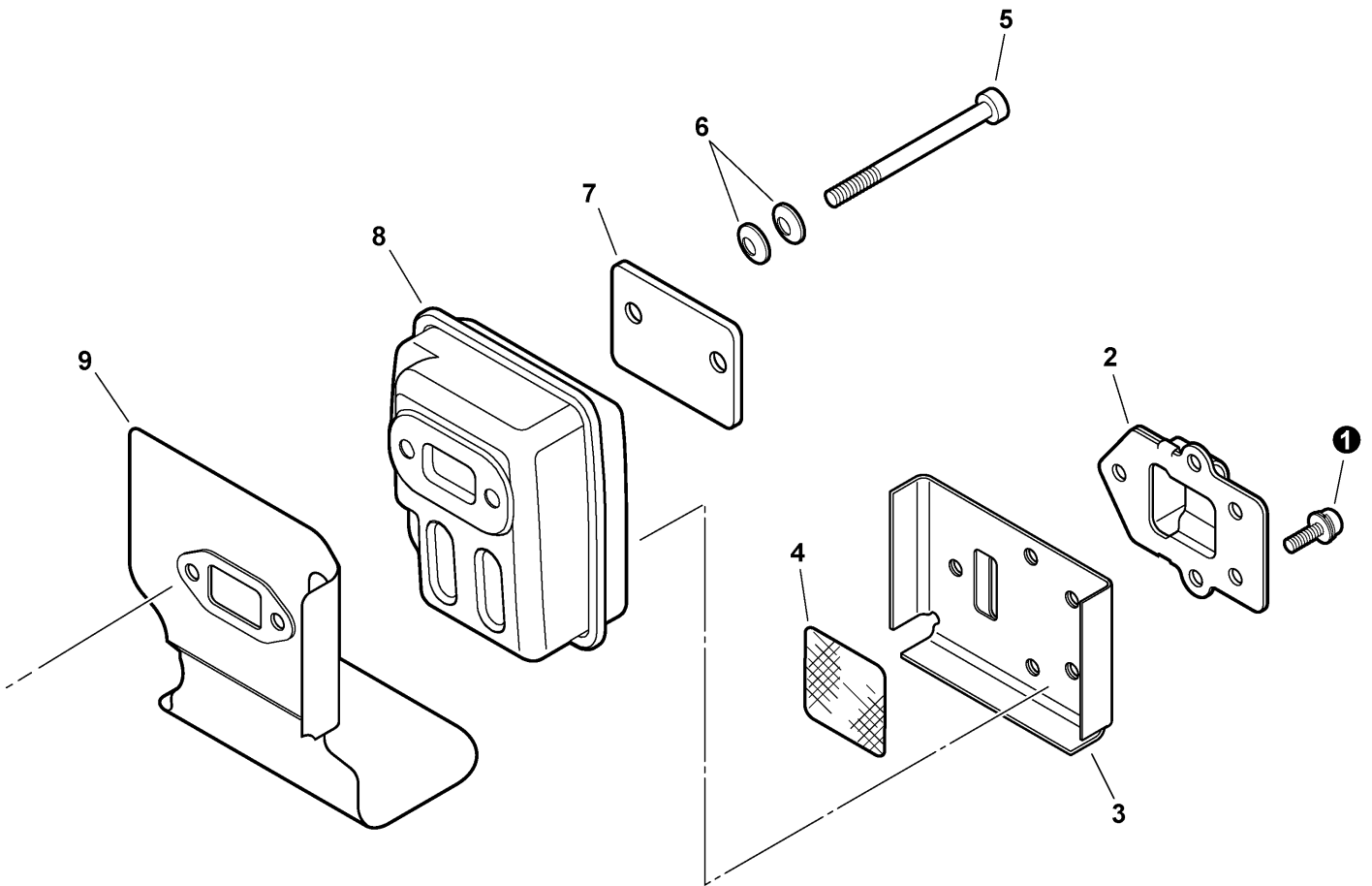


RBK70A 0000 000

ITEM	PART NUMBER	QTY	DESCRIPTION	REMARKS
	A021000721	1	CARBURETOR -- RB-K70A	
1	12534413931	3	SCREW	
2	12534452130	1	SCREW	
3	P005001330	1	SCREW, CABLE ADJUST	
4	P005000190	1	RING, RETAINING	
5	P005001240	1	SWIVEL	
6	P005000100	1	SCREW, IDLE ADJUST	
7	P005001620	1	ROTOR COVER ASY	
8	P005000280	1	O-RING	
9	12531061830	4	SCREW, PURGE BULB RETAINER	
10	P005000250	1	RETAINER, PURGE BULB	
11	12538108660	1	BULB, PURGE	
12	P005000270	1	SCREW, PURGE BASE	
13	P005000930	1	BASE, PURGE	
14	P005001270	1	CAP, LIMITER	
15	P005001260	1	NEEDLE - HIGH SPEED	
16	12534452130	2	SCREW	
17	12534252130	1	COVER, DIAPHRAGM	
18	12533942030	1	SCREW, METERING LEVER PIN	
19	P005000950	1	REPAIR KIT	INCLUDES ITEMS 21-29
20	P005001000	1	GUIDE, ROLLER	
21	-----	1	GASKET, PUMP	
22	-----	1	DIAPHRAGM, PUMP	
23	-----	1	STRAINER	
24	-----	1	SPRING, METERING LEVER	
25	-----	1	VALVE, INLET NEEDLE	
26	-----	1	PIN, METERING LEVER	
27	-----	1	LEVER, METERING	
28	-----	1	GASKET, DIAPHRAGM	
29	-----	1	DIAPHRAGM, METERING	
30	P005000550	1	DIAPHRAGM/GASKET KIT	INCLUDES ITEMS 31-34
31	-----	1	GASKET, PUMP	
33	-----	1	GASKET, DIAPHRAGM	
32	-----	1	DIAPHRAGM, PUMP	
34	-----	1	DIAPHRAGM, METERING	
35	-----	1	BODY, CARBURETOR ¹	

Footnotes

1: NOT AVAILABLE SEPARATELY

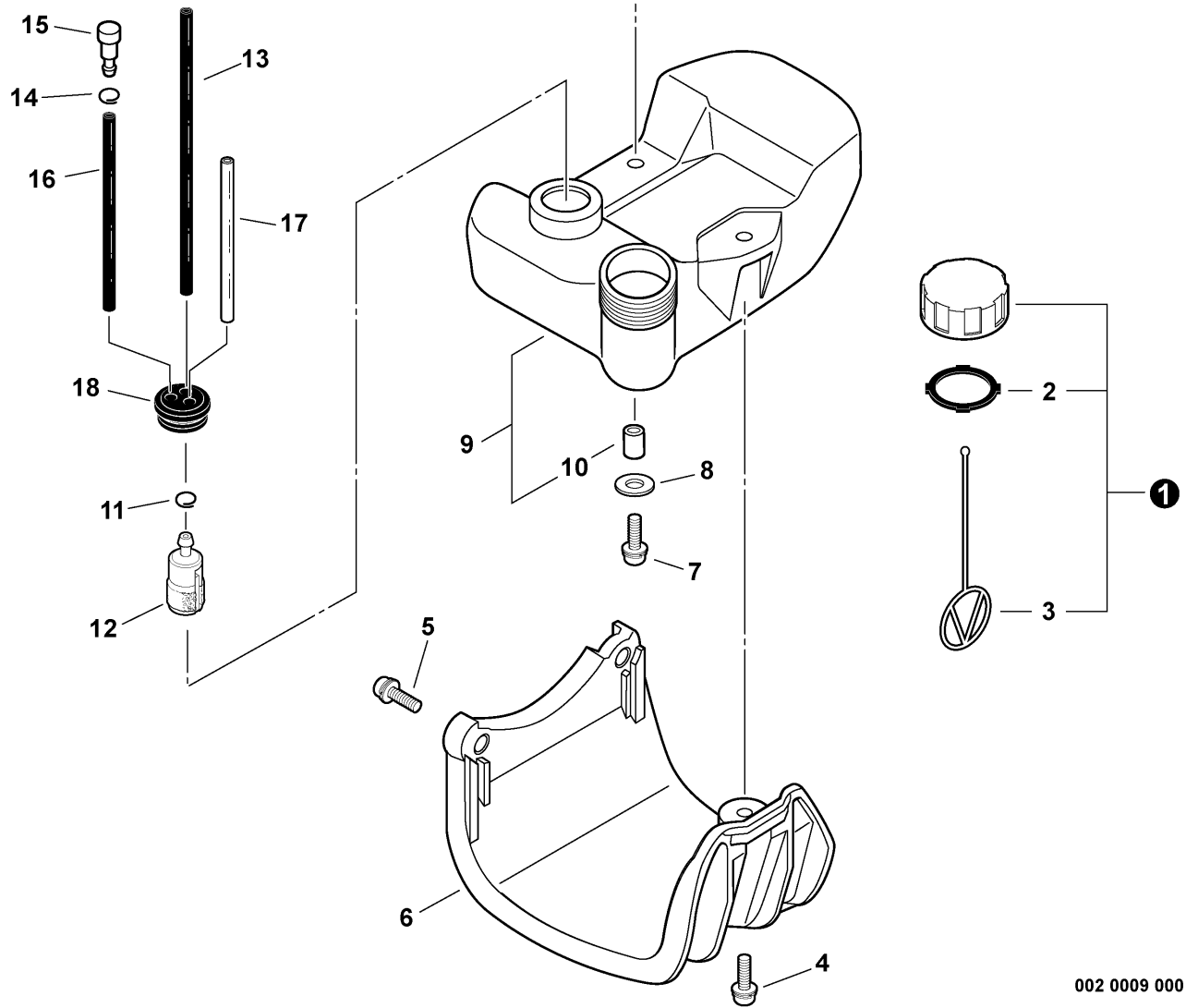


006 0019 000

ITEM	PART NUMBER	QTY	DESCRIPTION	REMARKS
1	9136704010	5	SCREW - 4X10	
2	A313000130	1	GUIDE, EXHAUST	
3	V104000360	1	GASKET, EXHAUST	
4	14586240630	1	SCREEN, SPARK ARRESTER	
5	90010505055	2	SCREW - 5X55	
6	V347000000	4	WASHER - CONICAL	
7	V150000371	1	PLATE	
8	A300000141	1	MUFFLER	
9	V104000061	1	SHIELD, EXHAUST ¹	

Footnotes

1: Also Included In GASKET KIT

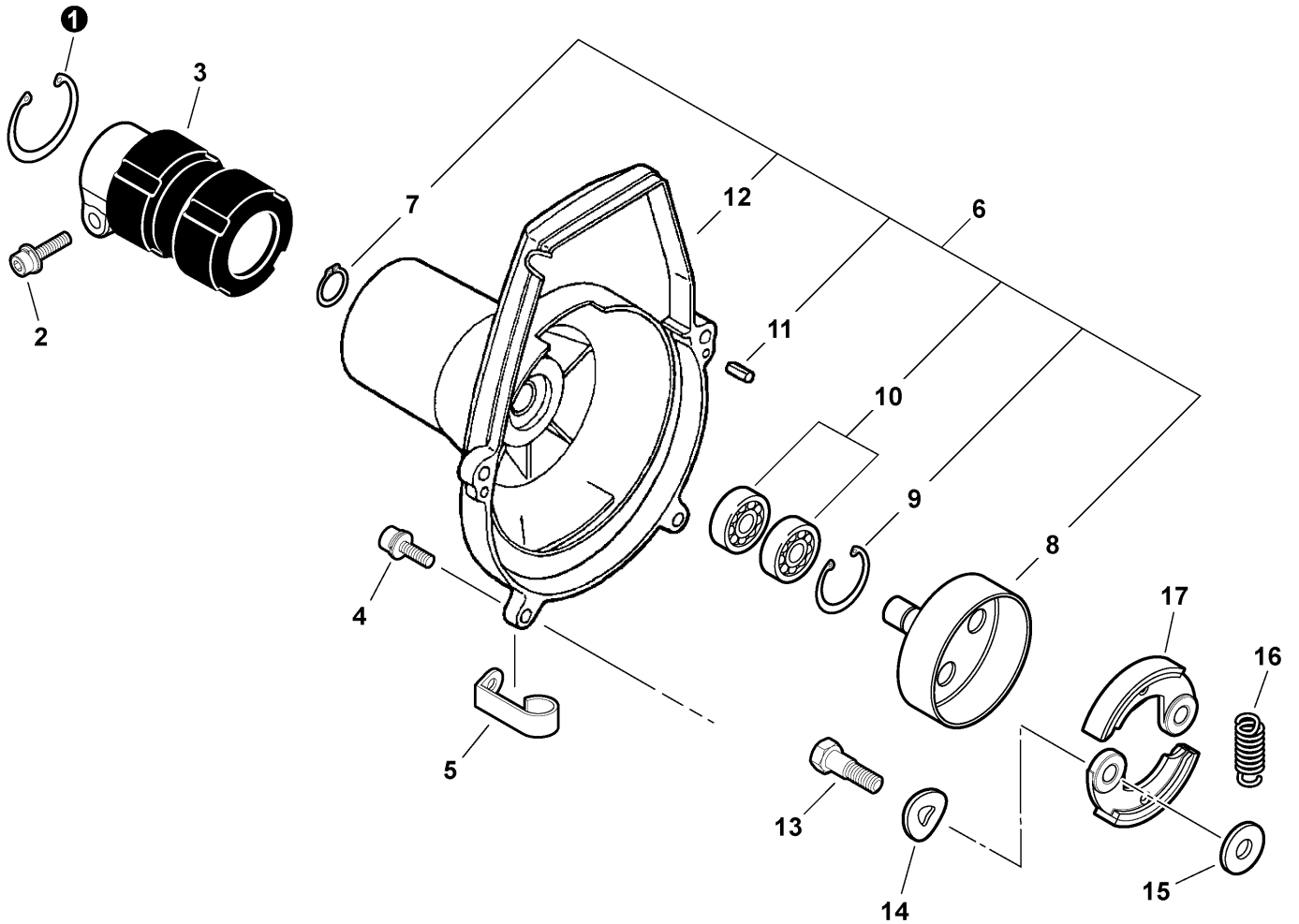


002 0009 000

ITEM	PART NUMBER	QTY	DESCRIPTION	REMARKS
1	13100455530	1	CAP ASY - ORANGE	Includes ITEMS 2-3
2	13101655830	1	GASKET	
3	13105156030	1	CONNECTOR, CAP	
4	90024405020	1	SCREW - 5X20	
5	90016205022	2	SCREW - 5X22	
6	30511057733	1	GUARD, FUEL TANK	
7	90016205016	2	SCREW - 5X16	
8	90060300005	2	WASHER - 5	
9	A350000111	1	TANK, FUEL	Includes ITEM 10
10	13104528230	2	SLEEVE	
11	13201326630	2	CLIP	
12	13120519831	1	FILTER, FUEL ¹	
13	13201052030	1	PIPE, FUEL - 3X6X170 ²	
14	13201326630	2	CLIP	
15	A356000030	1	VENT ASY	
16	V471000110	1	PIPE - 3X6X115 ²	
17	13201256030	1	PIPE, RETURN - 3X6X80 ³	
18	13211555930	1	GROMMET	

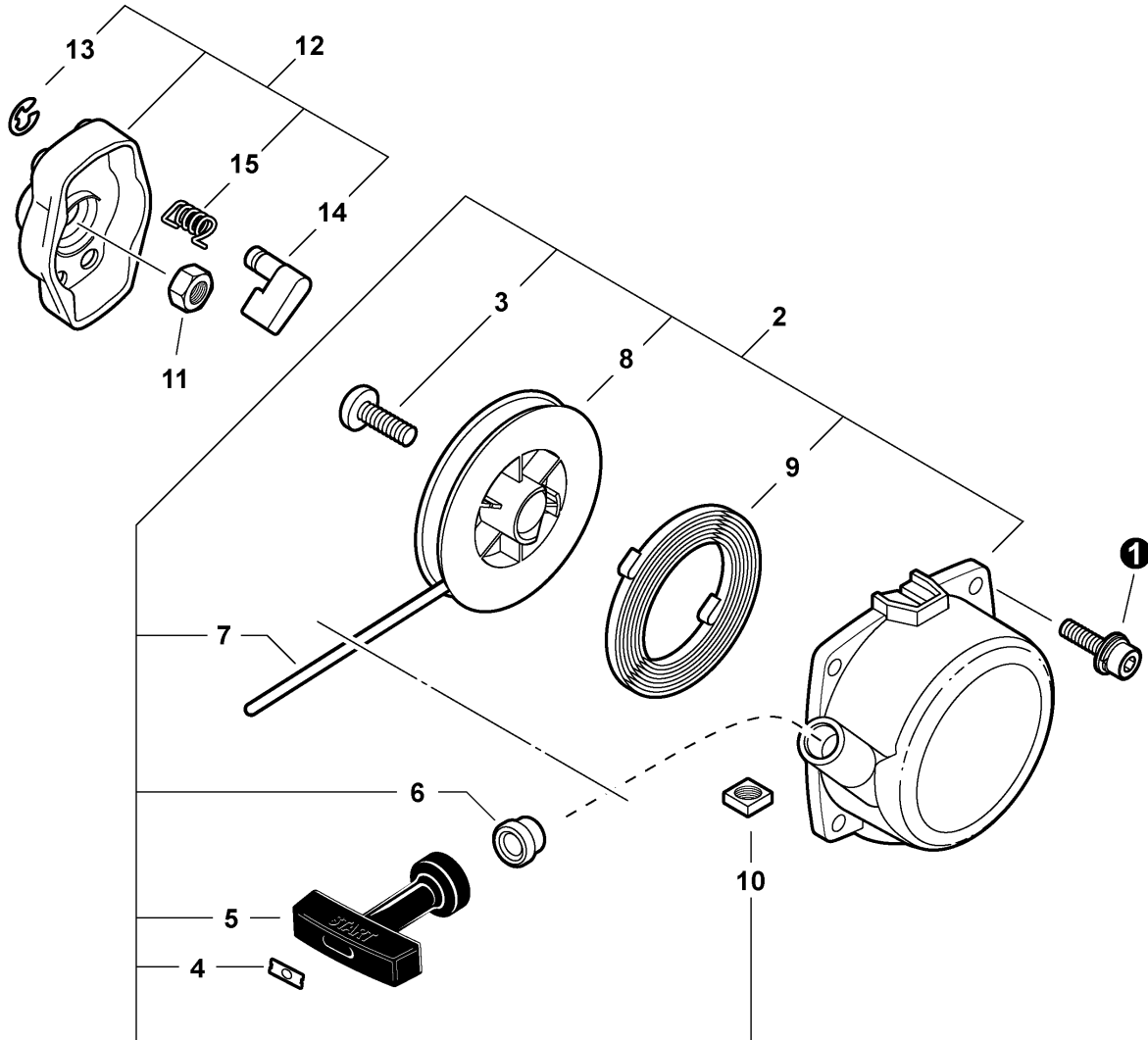
Footnotes

- 1: Also Included In REPOWER TUNE-UP KIT
- 2: RePower BULK OPTION: 90015
- 3: RePower BULK OPTION: 90017



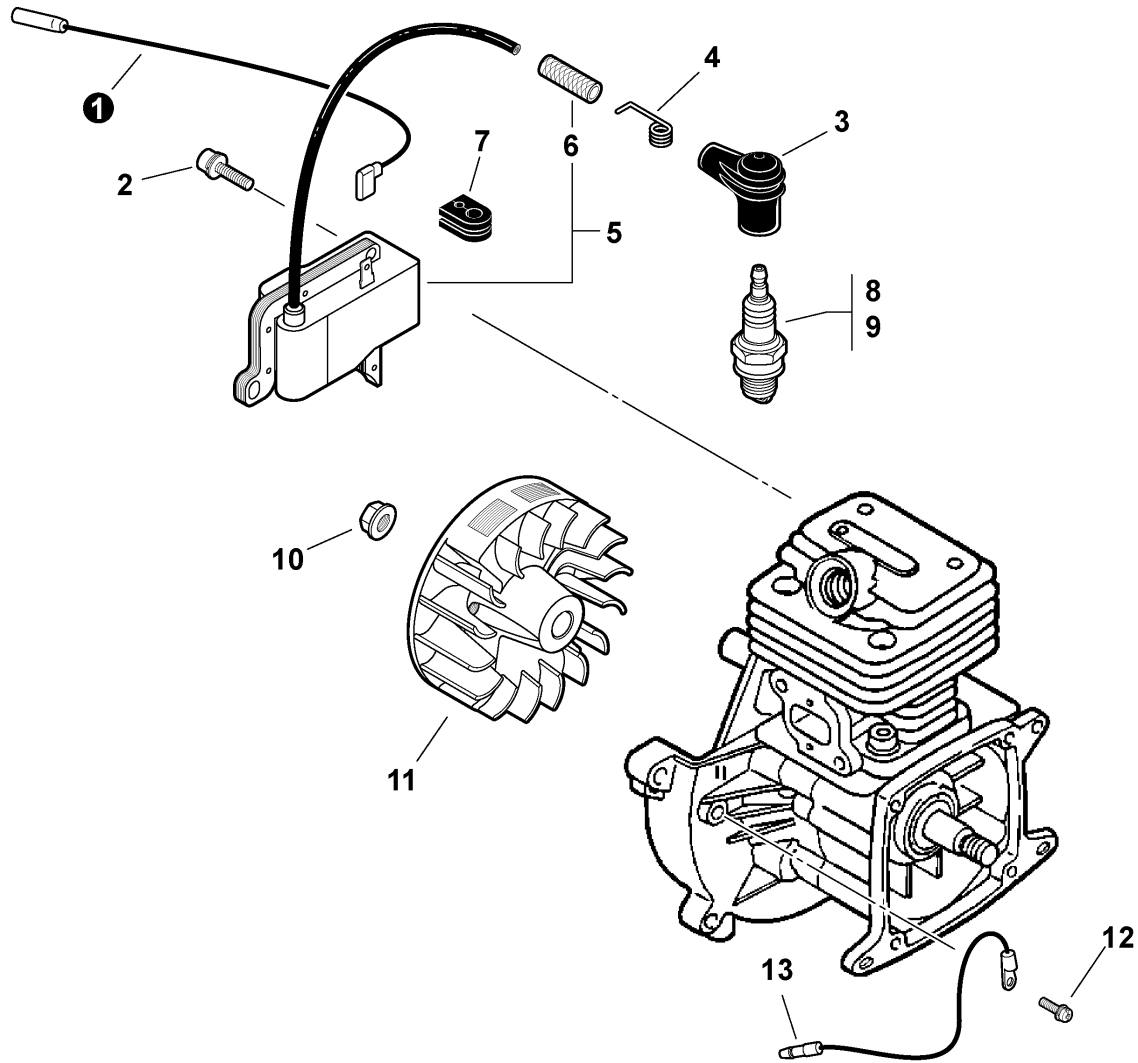
003 0009 000

ITEM	PART NUMBER	QTY	DESCRIPTION	REMARKS
1	90070200042	1	RING, RETAINING - 42	
2	90016205028	1	SCREW - 5X28	
3	61092255931	1	HOLDER, MAIN PIPE	
4	90016205018	2	SCREW - 5X18	
5	17811106230	1	CLAMP	
6	P021001410	1	FAN CASE ASY - GRAY	Includes ITEMS 7-12
7	90070100012	1	RING, RETAINING - 12	
8	A556000030	1	DRUM, CLUTCH	
9	90070200028	1	RING, RETAINING - 28	
10	90080796001	2	BEARING, BALL - 6001	
11	V622000020	2	PIN, DOWEL	
12	A172000030	1	CASE, FAN - GRAY	
13	17504656030	2	BOLT, CLUTCH	
14	17504956030	2	WASHER - SPRING	
15	17504805530	2	WASHER - 6	
16	V451000090	1	SPRING, CLUTCH	
17	A553000010	2	SHOE, CLUTCH	



004 0027 000

ITEM	PART NUMBER	QTY	DESCRIPTION	REMARKS
1	9112604012	4	SCREW - 4X12	
2	17720055931	1	STARTER ASY	Includes ITEMS 3-10
3	17723644330	1	SCREW	
4	17724611120	1	RETAINER, ROPE	
5	17722827030	1	GRIP, STARTER	
6	17722742030	1	GUIDE, ROPE	
7	17722603930	1	ROPE, STARTER - 3.5X850	REPOWER BULK OPTION: 99944445000
8	17721540630	1	REEL, ROPE	
9	17722040630	1	SPRING, REWIND	
10	90056500005	1	NUT - 5 -- SQUARE	
11	90050200008	1	NUT - 8	
12	A052000030	1	STARTER PAWL ASY	Includes ITEMS 13-15
13	90070000004	2	RING, RETAINING - 4	
14	17721840630	2	PAWL, STARTER	
15	17723440630	2	SPRING, RETURN	

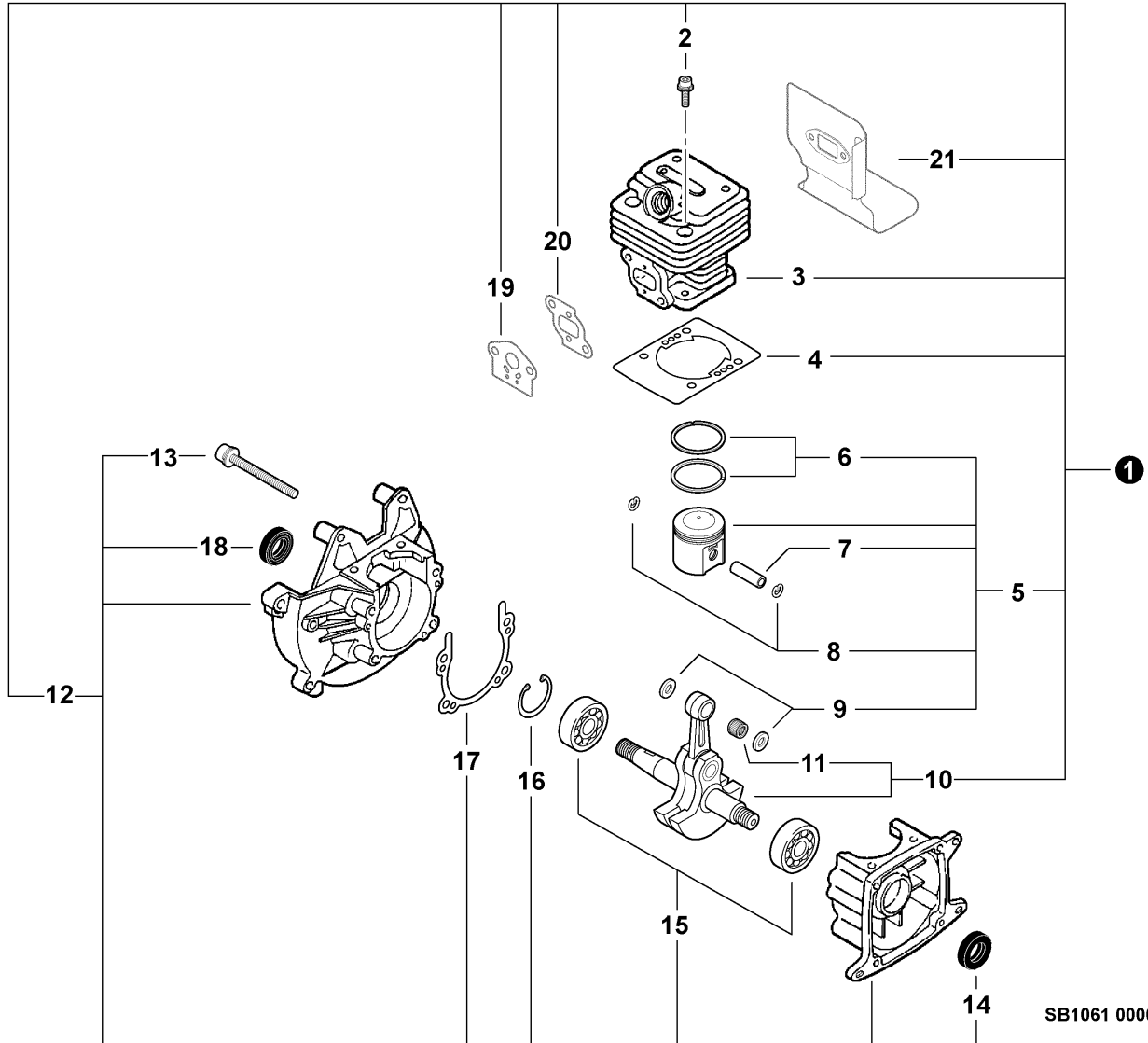


007 0028 000

ITEM	PART NUMBER	QTY	DESCRIPTION	REMARKS
1	16201056430	1	LEAD - IGNITION	
2	90016205016	2	SCREW - 5X16	
3	15901203433	1	CAP, SPARK PLUG	
4	15901103432	1	TERMINAL, SPARK PLUG CAP	
5	P021003910	1	COIL, IGNITION	Includes ITEM 5
6	V475002200	1	TUBE, INSULATOR	
7	15611240630	1	GROMMET	
8	15901019830	1	SPARK PLUG -- BPM-8Y ¹	
9	A425000000	1	SPARK PLUG -- BPMR-8Y ¹	CANADA MODELS
10	90051500008	1	NUT - 8 -- FLANGE	
11	A409000130	1	FLYWHEEL	
12	90024205010	1	SCREW - 5X10	
13	16201452930	1	LEAD - GROUND	

Footnotes

1: Also Included In RePower TUNE-UP KIT

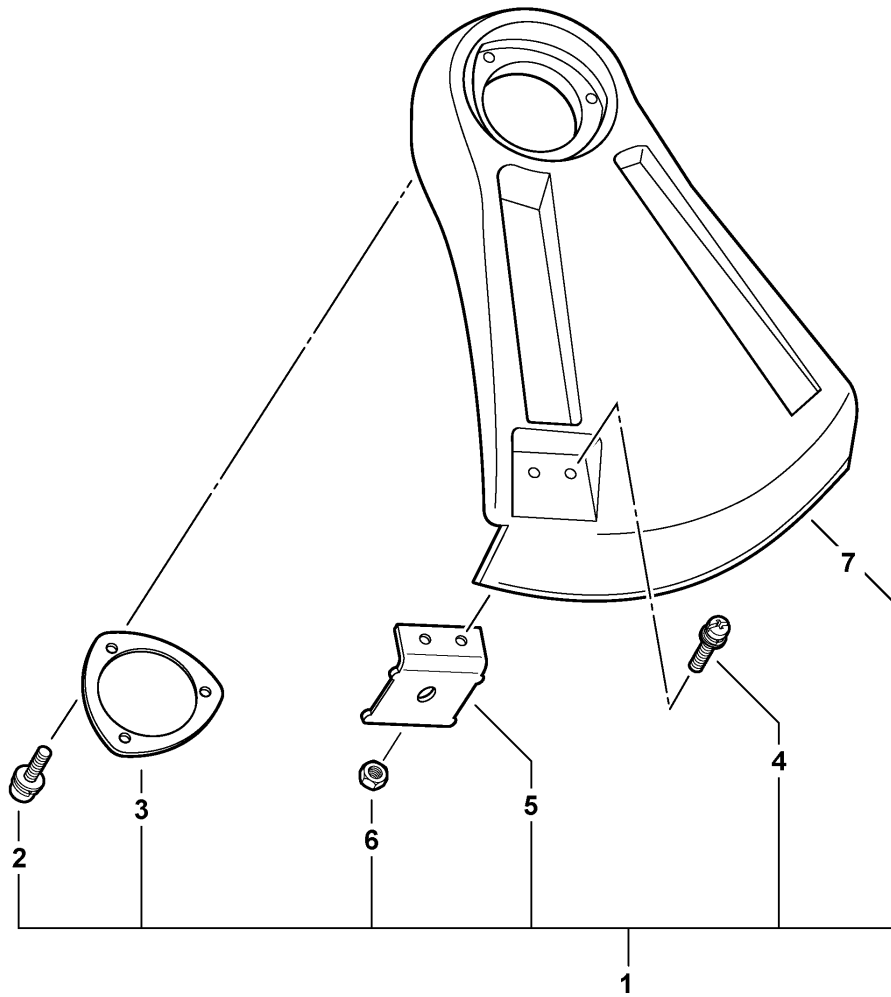


SB1061 0000 000

ITEM	PART NUMBER	QTY	DESCRIPTION	REMARKS
1	SB1061	1	SHORT BLOCK -- SB1061	INCLUDES ITEMS 2-18
2	90016205022	4	SCREW - 5X22	
3	A130000341	1	CYLINDER	
4	V100000060	1	GASKET, CYLINDER ¹	
5	P021001102	1	PISTON KIT	INCLUDES ITEMS 6-9
6	A101000000	2	RING, PISTON	
7	10001311520	1	PIN, PISTON	
8	10001504630	2	RING, RETAINING	
9	10001411520	2	SPACER, PISTON	
10	A011000042	1	CRANKSHAFT ASY	INCLUDES ITEM 11
11	V553000010	1	BEARING, NEEDLE - 8	
12	P021000941	1	CRANKCASE KIT	INCLUDES ITEMS 13-18
13	90016205025	4	SCREW - 5X25	
14	10021305530	1	SEAL, OIL	
15	90080036001	2	BEARING, BALL - 6001	
16	90070200028	1	RING, RETAINING - 28	
17	10024255930	1	GASKET, CRANKCASE ¹	
18	10021228230	1	SEAL, OIL	
19	-----	1	SHIELD, EXHAUST ¹	
20	-----	1	GASKET, INTAKE ¹	
21	-----	1	GASKET, INTAKE ¹	

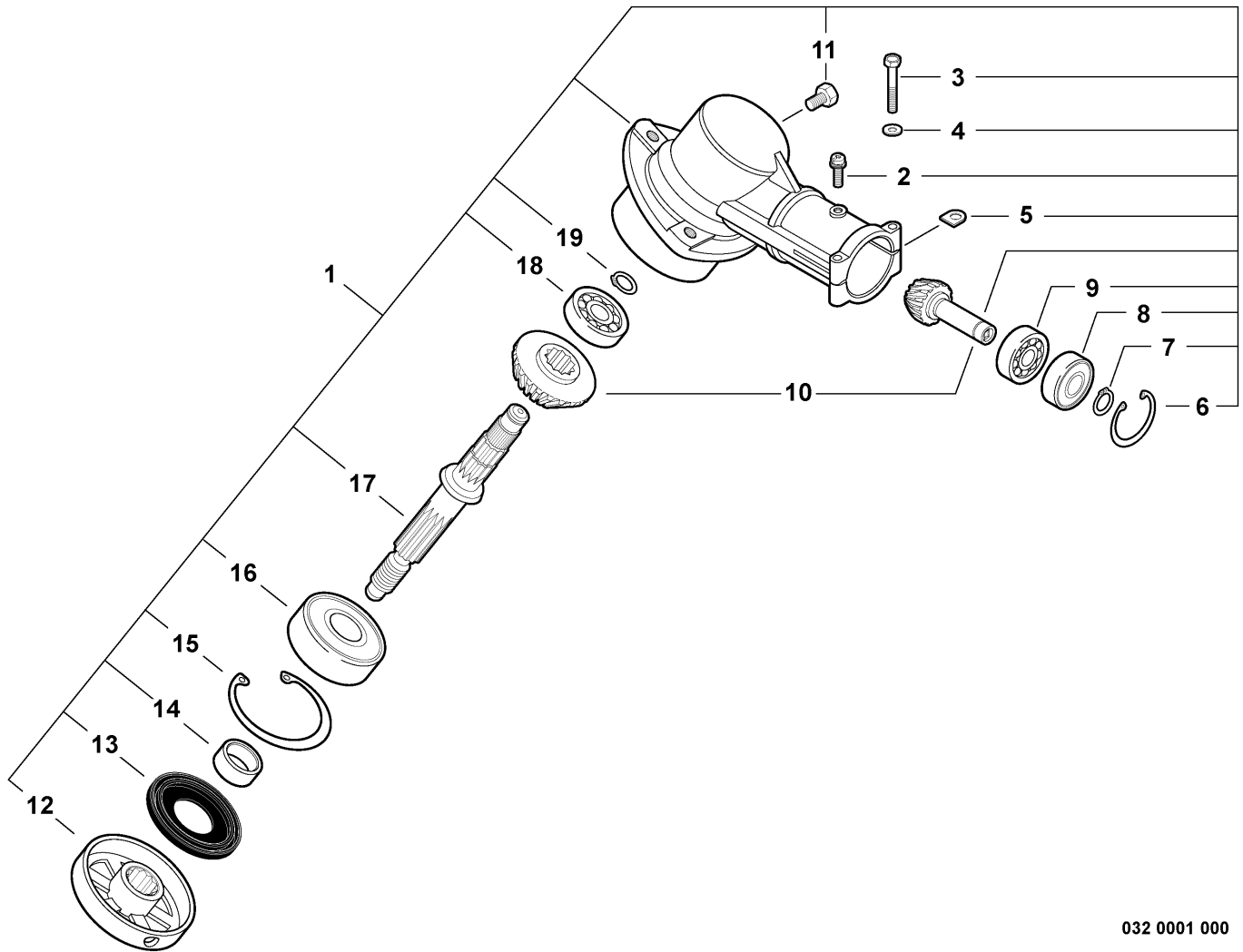
Footnotes

1: Also Included In GASKET KIT



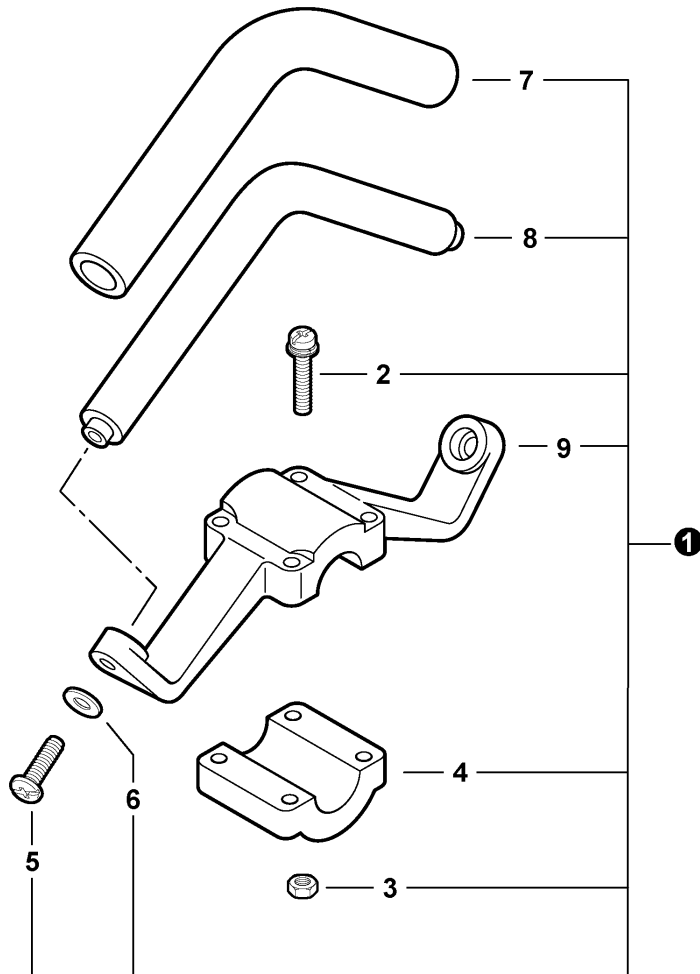
034 0006 000

ITEM	PART NUMBER	QTY	DESCRIPTION	REMARKS
1	P021001393	1	DEBRIS SHIELD KIT - PLASTIC	INCLUDES ITEMS 2-7
2	90023805016	3	SCREW - 5X16	
3	C552000110	1	PLATE, SHIELD	
4	90023805016	2	SCREW - 5X16	
5	69901644330	1	KNIFE, TRIMMER LINE	
6	90050000005	2	NUT	
7	C550000032	1	SHIELD, DEBRIS - PLASTIC	



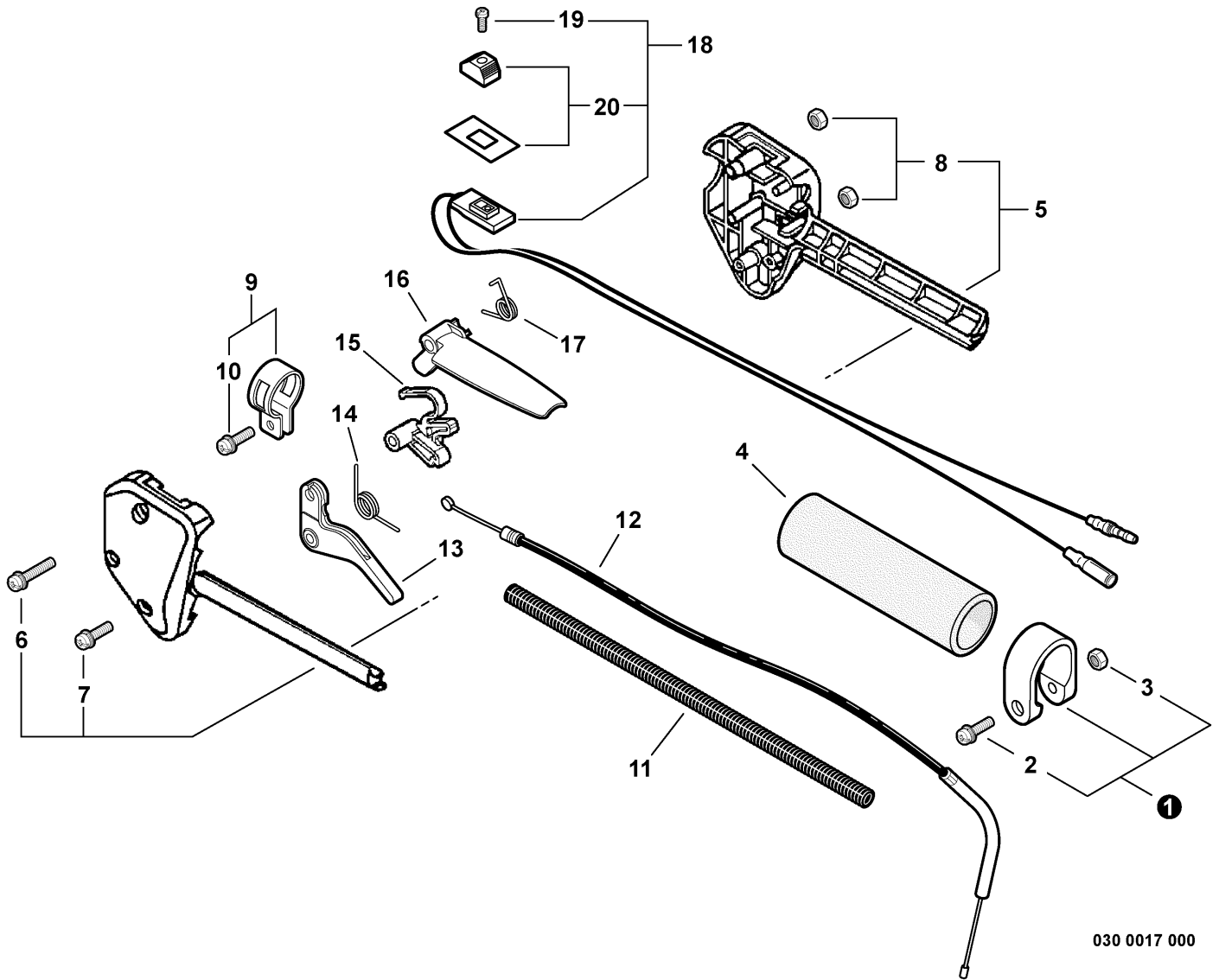
032 0001 000

ITEM	PART NUMBER	QTY	DESCRIPTION	REMARKS
1	61040247732	1	GEAR CASE ASY	INCLUDES ITEMS 2-20
2	90024205010	1	SCREW - 5X10	
3	90010005035	2	BOLT - 5X35	
4	90060000005	2	WASHER	
5	61023904130	2	WASHER, SHIM	
6	90070200022	1	RING, RETAINING - 22	
7	90070600010	1	RING, RETAINING - 10	
8	90085806900	1	BEARING, BALL - 6900Z	
9	90085506900	1	BEARING, BALL - 6900	
10	61030044830	1	GEAR SET - BEVEL	
11	61043450031	1	BOLT - 8X8	
12	61031347731	1	PLATE, ADAPTER - UPPER	
13	61041307130	1	SEAL, OIL	
14	61031507130	1	SPACER	
15	90070200032	1	RING, RETAINING - 32	
16	9403536201	1	BEARING, BALL - 6201	
17	61036008931	1	GEAR, SHAFT	
18	90080000609	1	BEARING, BALL - 609	
19	90070600012	1	RING, RETAINING - 12	



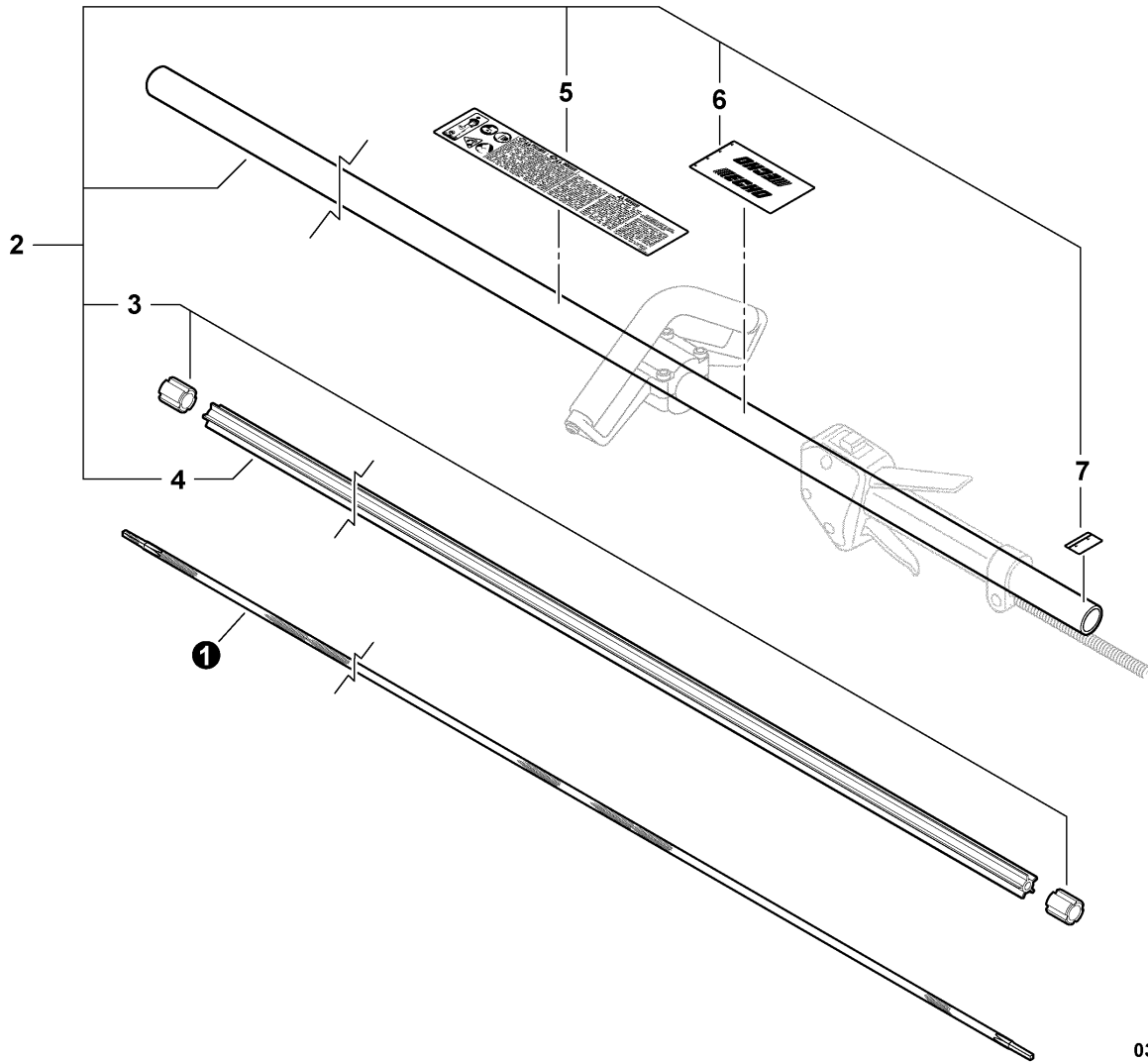
030 0014 00D

ITEM	PART NUMBER	QTY	DESCRIPTION	REMARKS
1	P021000021	1	FRONT HANDLE ASY	INCLUDES ITEMS 2-9
2	90024205035	4	SCREW 5X35	
3	90050000005	4	NUT	
4	35122507130	1	BRACKET, HANDLE - LOWER	
5	90025305020	2	SCREW - 5X20 -- TAPPING	
6	90060000005	2	WASHER	
7	35121666230	1	GRIP, HANDLE	
8	35120566230	1	HANDLE - FRONT	
9	35123266230	1	BRACKET, HANDLE - UPPER	



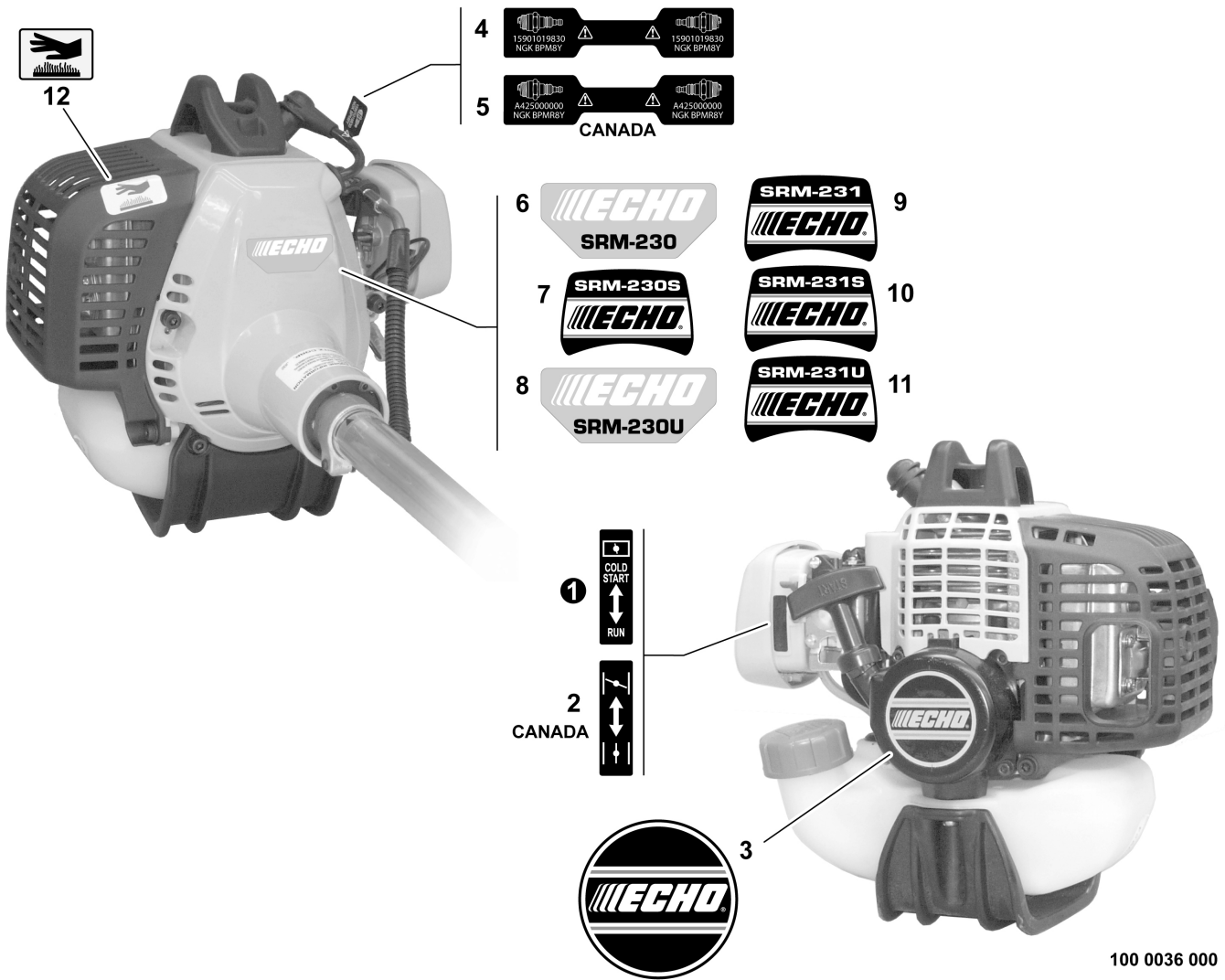
030 0017 000

ITEM	PART NUMBER	QTY	DESCRIPTION	REMARKS
1	61027252130	1	CLAMP KIT	INCLUDES ITEMS 2-3
2	90024205028	1	SCREW - 5X28	
3	90050000005	1	NUT - 5	
4	35121352130	1	GRIP, HANDLE	
5	17800352130	1	CONTROL HANDLE KIT	INCLUDES ITEMS 6-8
6	90024205035	1	SCREW 5X35	
7	90024205025	1	SCREW - 5X25	
8	90050000005	2	NUT	
9	30120029430	1	CLAMP KIT	INCLUDES ITEM 10
10	90024205014	1	SCREW - 5X14	
11	V475000850	1	TUBE, PROTECTIVE - CORRUGATED	
12	V430000730	1	CABLE, THROTTLE	
13	17801052130	1	TRIGGER, THROTTLE	
14	17804342230	1	SPRING, TRIGGER	
15	17801252730	1	LOCKOUT, TRIGGER	
16	17809052632	1	LEVER, TRIGGER LOCKOUT	
17	17801352630	1	SPRING, THROTTLE LOCKOUT	
18	A440000280	1	IGNITION SWITCH ASY	INCLUDES ITEMS 19-20
19	9154503010	1	SCREW - 3X10	
20	A444000020	1	KNOB, SWITCH - ORANGE	



031 0005 000

ITEM	PART NUMBER	QTY	DESCRIPTION	REMARKS
1	61001344730	1	DRIVESHAFT - FLEXIBLE	
2	C050001090	1	MAIN PIPE ASY	INCLUDES ITEMS 2-7
3	61024644730	1	STOPPER	
4	C507000260	1	LINER - FLEXIBLE	
5	X505002500	1	LABEL - CAUTION	
6	X505001930	1	LABEL - HANDLE LOCATION	
7	89015204930	1	LABEL - ALIGNMENT	



ITEM	PART NUMBER	QTY	DESCRIPTION	REMARKS
1	89012152730	1	LABEL - CHOKE	
2	89033252730	1	LABEL - CHOKE	CANADA MODELS
3	X502000330	1	LABEL - ECHO	
4	X532000671	1	LABEL - SPARK PLUG -- BPM-8Y	
5	X532000720	1	LABEL - SPARK PLUG -- BPMR-8Y	CANADA MODELS
6	X547001480	1	LABEL - MODEL -- SRM-230	
7	X503003080	1	LABEL - MODEL -- SRM-230S	
8	X547001470	1	LABEL - MODEL -- SRM-230U	
9	X503001140	1	LABEL - MODEL -- SRM-231	
10	X503003110	1	LABEL - MODEL -- SRM-231S	
11	X503001630	1	LABEL - MODEL -- SRM-231U	
12	X505002310	1	LABEL - CAUTION -- HOT	



Part Number Index

Click The Page Number After Any Part Number To View The Diagram Containing That Part.

Part Number	Page	Part Number	Page	Part Number	Page
-----	7, 9, 21	61041307130	25	P005000100	9
10001311520	21	61043450031	25	P005000190	9
10001411520	21	61092255931	15	P005000250	9
10001504630	21	69901644330	23	P005000270	9
10021228230	21	89012152730	33	P005000280	9
10021305530	21	89015204930	31	P005000550	9
10024255930	21	89033252730	33	P005000930	9
12531061830	9	90010005035	25	P005000950	9
12533942030	9	90010505055	11	P005001000	9
12534252130	9	90010605012	5	P005001240	9
12534413931	9	90016205016	13, 19	P005001260	9
12534452130	9	90016205018	15	P005001270	9
12538108660	9	90016205022	13, 21	P005001330	9
12901152730	7	90016205025	7, 21	P005001620	9
13001013410	7	90016205028	15	P021000021	27
13001055930	7	90023805016	23	P021000941	21
13001756431	7	90024205010	19, 25	P021000991	7
13031054130	7	90024205014	29	P021001102	21
13031305863	7	90024205025	29	P021001393	23
13031306563	7	90024205028	29	P021001410	15
13100455530	13	90024205035	27, 29	P021003910	19
13101655830	13	90024205060	7	P021004480	7
13104528230	13	90024405020	13	SB1061	21
13105156030	13	90025305020	27	V100000060	21
13120519831	13	90050000005	23, 27, 29	V104000061	11
13201052030	13	90050200008	17	V104000360	11
13201256030	13	90051500008	19	V150000371	11
13201326630	13	90056500005	17	V347000000	11
13211555930	13	90060000005	25, 27	V353000020	5
14586240630	11	90060300005	13	V430000730	29
15611240630	19	90070000004	17	V451000090	15
15901019830	19	90070100012	15	V471000110	13
15901103432	19	90070200022	25	V475000850	29
15901203433	19	90070200028	15, 21	V475002200	19
16201056430	19	90070200032	25	V553000010	21
16201452930	19	90070200042	15	V622000020	15
17504656030	15	90070600010	25	X502000330	33
17504805530	15	90070600012	25	X503001140	33
17504956030	15	90080000609	25	X503001630	33
17720055931	17	90080036001	21	X503003080	33
17721540630	17	90080796001	15	X503003110	33
17721840630	17	90085506900	25	X505001930	31
17722040630	17	90085806900	25	X505002310	33
17722603930	17	9111005016	5	X505002500	31
17722742030	17	9112604012	17	X532000671	33
17722827030	17	9136704010	11	X532000720	33
17723440630	17	9154503010	29	X547001470	33
17723644330	17	9403536201	25	X547001480	33
17724611120	17	A011000042	21		
17800352130	29	A021000721	9		
17801052130	29	A052000030	17		
17801252730	29	A101000000	21		
17801352630	29	A130000341	21		
17804342230	29	A160000040	5		
17809052632	29	A160000060	5		
17811106230	15	A162000000	5		
21041752730	7	A172000030	15		
30120029430	29	A226001410	7		
30511057733	13	A300000141	11		
35120566230	27	A313000130	11		
35121352130	29	A320000003	5		
35121666230	27	A350000111	13		
35122507130	27	A356000030	13		
35123266230	27	A409000130	19		
61001344730	31	A425000000	19		
61023904130	25	A440000280	29		
61024644730	31	A444000020	29		
61027252130	29	A553000010	15		
61030044830	25	A556000030	15		
61031347731	25	C050001090	31		
61031507130	25	C507000260	31		
61036008931	25	C550000032	23		
61040247732	25	C552000110	23		



Part Description Index

Click The Page Number After Any Part Description To View The Diagram Containing That Part.

B

BASE, PURGE.....9
 BEARING, BALL - 6001.....15, 21
 BEARING, BALL - 609.....25
 BEARING, BALL - 6201.....25
 BEARING, BALL - 6900.....25
 BEARING, BALL - 6900Z.....25
 BEARING, NEEDLE - 8.....21
 BODY, CARBURETOR.....9
 BOLT - 5X35.....25
 BOLT - 8X8.....25
 BOLT, CLUTCH.....15
 BRACKET, HANDLE - LOWER.....27
 BRACKET, HANDLE - UPPER.....27
 BULB, PURGE.....9

C

CABLE, THROTTLE.....29
 CAP ASY - ORANGE.....13
 CAP, LIMITER.....9
 CAP, SPARK PLUG.....19
 CARBURETOR.....7
 CARBURETOR -- RB-K70A.....9
 CASE, AIR CLEANER - BLACK.....7
 CASE, AIR CLEANER - GRAY.....7
 CASE, FAN - GRAY.....15
 CLAMP.....15
 CLAMP KIT.....29
 CLIP.....13
 COIL, IGNITION.....19
 COLLAR - 5.....5
 CONNECTOR, CAP.....13
 CONTROL HANDLE KIT.....29
 COVER, AIR CLEANER - BLACK.....7
 COVER, AIR CLEANER - GRAY.....7
 COVER, DIAPHRAGM.....9
 COVER, ENGINE - GRAY.....5
 COVER, ENGINE - ORANGE.....5
 COVER, EXHAUST.....5
 CRANKCASE KIT.....21
 CRANKSHAFT ASY.....21
 CYLINDER.....21

D

DEBRIS SHIELD KIT - PLASTIC.....23
 DIAPHRAGM, METERING.....9
 DIAPHRAGM, PUMP.....9
 DIAPHRAGM/GASKET KIT.....9
 DRIVESHAFT - FLEXIBLE.....31
 DRUM, CLUTCH.....15

F

FAN CASE ASY - GRAY.....15
 FILTER, AIR - DOUBLE LAYER.....7
 FILTER, AIR - SINGLE LAYER.....7
 FILTER, FUEL.....13
 FLYWHEEL.....19
 FRONT HANDLE ASY.....27

G

GASKET.....13
 GASKET, CRANKCASE.....21
 GASKET, CYLINDER.....21

GASKET, DIAPHRAGM.....9
 GASKET, EXHAUST.....11
 GASKET, INTAKE.....7, 21
 GASKET, PUMP.....9
 GEAR CASE ASY.....25
 GEAR SET - BEVEL.....25
 GEAR, SHAFT.....25
 GRIP, HANDLE.....27, 29
 GRIP, STARTER.....17
 GROMMET.....13, 19
 GUARD, FUEL TANK.....13
 GUARD, TOP.....5
 GUIDE, EXHAUST.....11
 GUIDE, ROLLER.....9
 GUIDE, ROPE.....17

H

HANDLE - FRONT.....27
 HOLDER, MAIN PIPE.....15

I

IGNITION SWITCH ASY.....29
 INSULATOR, INTAKE.....7

K

KNIFE, TRIMMER LINE.....23
 KNOB, SWITCH - ORANGE.....29

L

LABEL - ALIGNMENT.....31
 LABEL - CAUTION.....31
 LABEL - CAUTION -- HOT.....33
 LABEL - CHOKE.....33
 LABEL - ECHO.....33
 LABEL - HANDLE LOCATION.....31
 LABEL - MODEL -- SRM-230.....33
 LABEL - MODEL -- SRM-230S.....33
 LABEL - MODEL -- SRM-230U.....33
 LABEL - MODEL -- SRM-231.....33
 LABEL - MODEL -- SRM-231S.....33
 LABEL - MODEL -- SRM-231U.....33
 LABEL - SPARK PLUG -- BPM-8Y.....33
 LABEL - SPARK PLUG -- BPMR-8Y.....33
 LEAD - GROUND.....19
 LEAD - IGNITION.....19
 LEVER, METERING.....9
 LEVER, TRIGGER LOCKOUT.....29
 LINER - FLEXIBLE.....31
 LOCKOUT, TRIGGER.....29

M

MAIN PIPE ASY.....31
 MUFFLER.....11

N

NEEDLE - HIGH SPEED.....9
 NUT.....23, 27, 29
 NUT - 5.....29
 NUT - 5 -- SQUARE.....17
 NUT - 8.....17
 NUT - 8 -- FLANGE.....19

O

O-RING.....9

P

PAWL, STARTER.....17
 PIN, DOWEL.....15
 PIN, METERING LEVER.....9
 PIN, PISTON.....21
 PIPE - 3X6X115.....13
 PIPE, FUEL - 3X6X170.....13
 PIPE, RETURN - 3X6X80.....13
 PISTON KIT.....21
 PLATE.....11
 PLATE, ADAPTER - UPPER.....25
 PLATE, PREVENT.....7
 PLATE, SHIELD.....23

R

REEL, ROPE.....17
 REPAIR KIT.....9
 RETAINER, PURGE BULB.....9
 RETAINER, ROPE.....17
 RING, PISTON.....21
 RING, RETAINING.....9, 21
 RING, RETAINING - 10.....25
 RING, RETAINING - 12.....15, 25
 RING, RETAINING - 22.....25
 RING, RETAINING - 28.....15, 21
 RING, RETAINING - 32.....25
 RING, RETAINING - 4.....17
 RING, RETAINING - 42.....15
 ROPE, STARTER - 3.5X850.....17
 ROTOR COVER ASY.....9

S

SCREEN, SPARK ARRESTER.....11
 SCREW.....9, 17
 SCREW - 3X10.....29
 SCREW - 4X10.....11
 SCREW - 4X12.....17
 SCREW - 5X10.....19, 25
 SCREW - 5X12.....5
 SCREW - 5X14.....29
 SCREW - 5X16.....5, 13, 19, 23
 SCREW - 5X18.....15
 SCREW - 5X20.....13
 SCREW - 5X20 -- TAPPING.....27
 SCREW - 5X22.....13, 21
 SCREW - 5X25.....7, 21, 29
 SCREW - 5X28.....15, 29
 SCREW - 5X55.....11
 SCREW - 5X60.....7
 SCREW 5X35.....27, 29
 SCREW, CABLE ADJUST.....9
 SCREW, IDLE ADJUST.....9
 SCREW, METERING LEVER PIN.....9
 SCREW, PURGE BASE.....9
 SCREW, PURGE BULB RETAINER.....9
 SEAL, OIL.....21, 25
 SHIELD, DEBRIS - PLASTIC.....23
 SHIELD, EXHAUST.....11, 21
 SHOE, CLUTCH.....15
 SHORT BLOCK -- SB1061.....21



Part Description Index (continued)

SLEEVE.....13
SPACER.....25
SPACER, PISTON.....21
SPARK PLUG -- BPM-8Y.....19
SPARK PLUG -- BPMR-8Y.....19
SPRING, CLUTCH.....15
SPRING, METERING LEVER.....9
SPRING, RETURN.....17
SPRING, REWIND.....17
SPRING, THROTTLE LOCKOUT.....29
SPRING, TRIGGER.....29
STARTER ASY.....17
STARTER PAWL ASY.....17
STOPPER.....31
STRAINER.....9
SWIVEL.....9

T

TANK, FUEL.....13
TERMINAL, SPARK PLUG CAP.....19
THUMBSCREW.....7
TRIGGER, THROTTLE.....29
TUBE, INSULATOR.....19
TUBE, PROTECTIVE - CORRUGATED.....29

V

VALVE, INLET NEEDLE.....9
VENT ASY.....13

W

WASHER.....25, 27
WASHER - 5.....13
WASHER - 6.....15
WASHER - CONICAL.....11
WASHER - SPRING.....15
WASHER, SHIM.....25

NOTES



ECHO, INCORPORATED

400 Oakwood Road
Lake Zurich, IL 60047 USA

WWW.ECHO-USA.COM
