



Accessories for ECHO products can be found at:  
*Los accesorios para los productos ECHO se pueden encontrar en:*  
[www.echo-usa.com/products/catalogs](http://www.echo-usa.com/products/catalogs)



**PARTS CATALOG**  
**LISTA DE PIEZAS**

**HC-185**  
**Hedge Trimmer**  
HC-185 Recortadora de cercos



**21.2 cc**

**SERIAL NUMBER**  
NÚMERO DE SERIE

**S69511001001-S69511999999**

**ECHO, INCORPORATED**

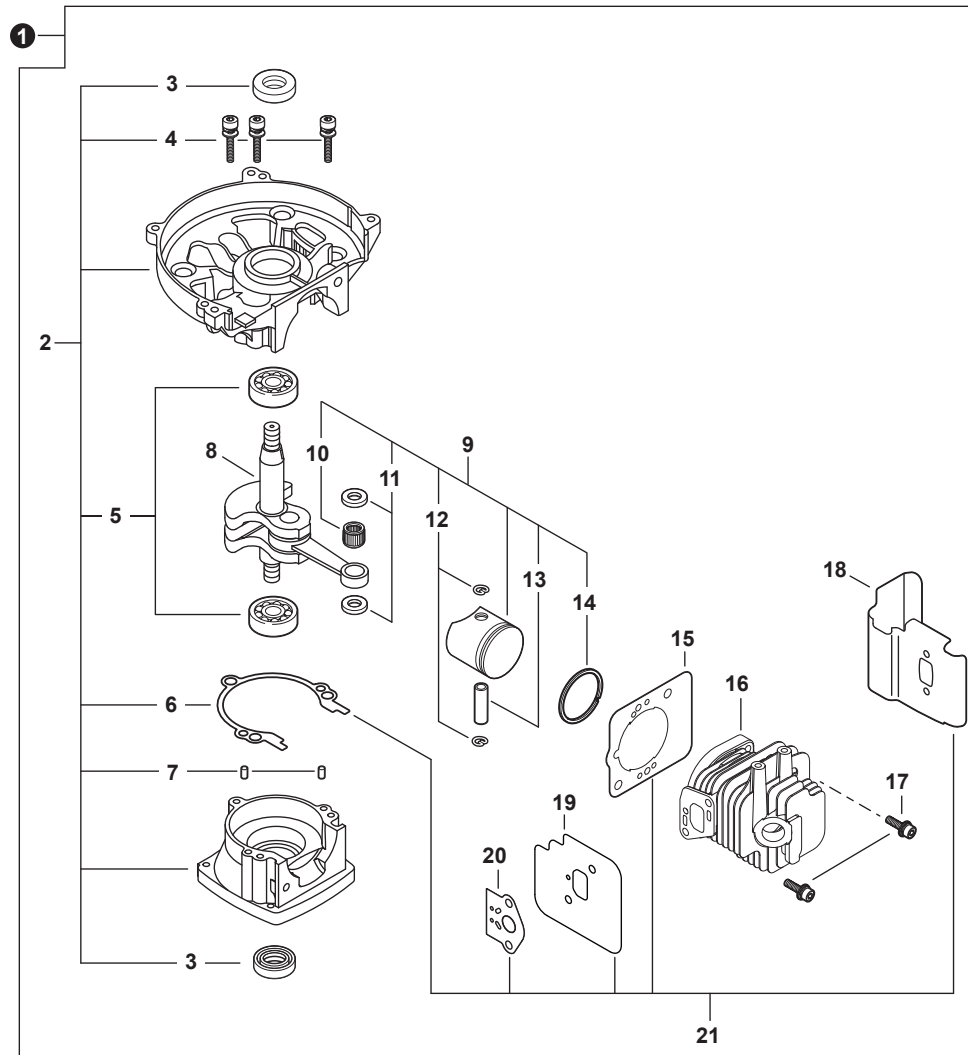
400 Oakwood Road, Lake Zurich, Illinois 60047

[WWW.ECHO-USA.COM](http://WWW.ECHO-USA.COM)

©2015 ECHO, Incorporated. All Rights Reserved

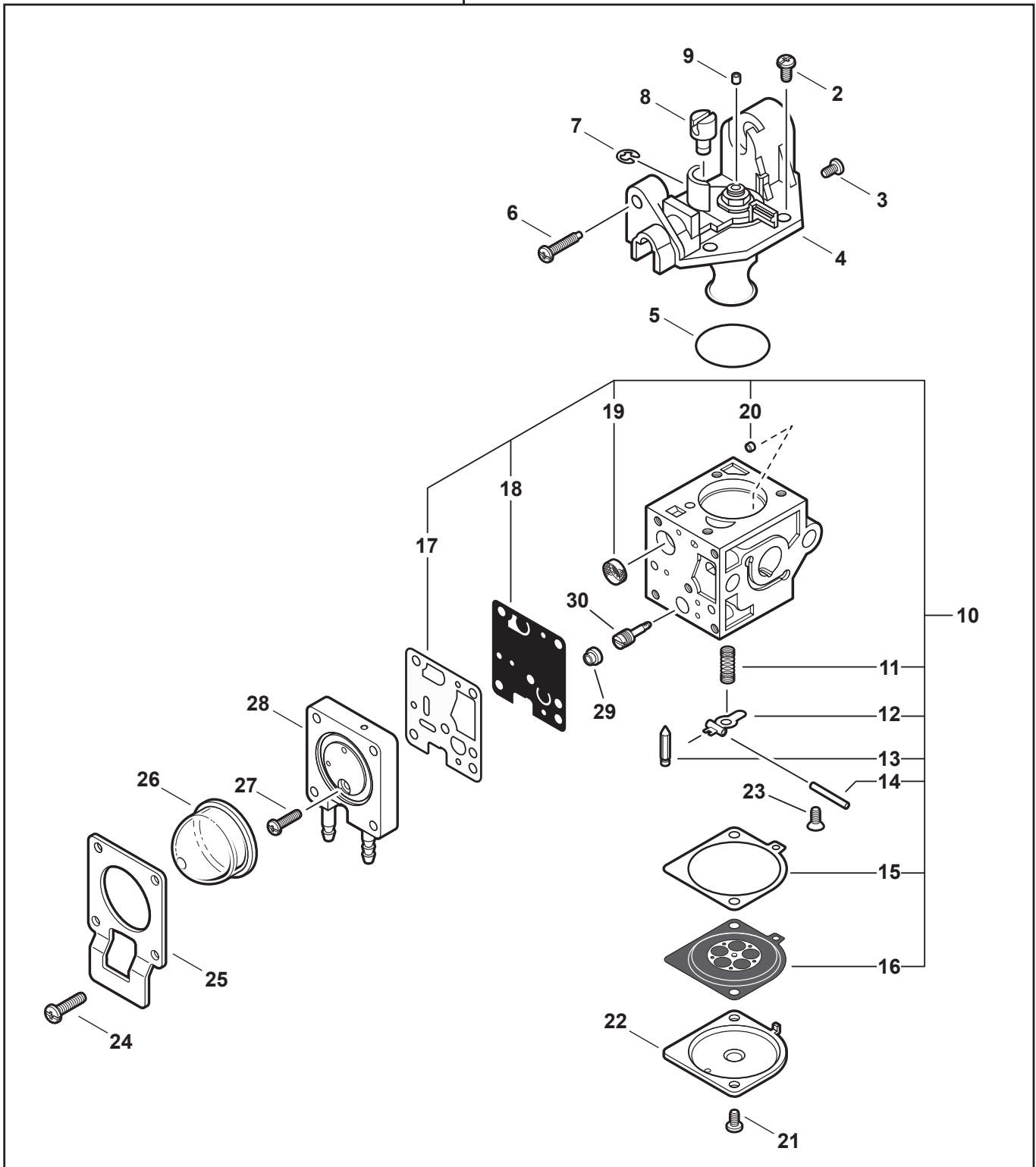
P/N 99922204055  
REVISED 12/12/15

|  |           |                                       |           |
|--|-----------|---------------------------------------|-----------|
| <b>Engine.....</b>                                       | <b>3</b>  | <b>Gear Case, Blades.....</b>         | <b>24</b> |
| Motor  |           | Caja de Engranajes, Cuchillas         |           |
| <b>Carburetor S/N: S69511001001-S69511002064 .....</b>   | <b>4</b>  | <b>Gear Case, Blades.....</b>         | <b>25</b> |
| Carburador S/N: S69511001001-S69511002064                |           | Caja de Engranajes, Cuchillas         |           |
| <b>Carburetor S/N: S69511001001-S69511002064 .....</b>   | <b>5</b>  | <b>RePower Maintenance Kits .....</b> | <b>26</b> |
| Carburador S/N: S69511001001-S69511002064                |           | Juegos de mantenimiento RePower       |           |
| <b>Carburetor S/N: S69511002065-S69511003184 .....</b>   | <b>6</b>  |                                       |           |
| Carburador S/N: S69511002065-S69511003184                |           |                                       |           |
| <b>Carburetor S/N: S69511002065-S69511003184 .....</b>   | <b>7</b>  |                                       |           |
| Carburador S/N: S69511002065-S69511003184                |           |                                       |           |
| <b>Carburetor S/N: S69511003185-S69511999999 .....</b>   | <b>8</b>  |                                       |           |
| Carburador S/N: S69511003185-S69511999999                |           |                                       |           |
| <b>Carburetor S/N: S69511003185-S69511999999 .....</b>   | <b>9</b>  |                                       |           |
| Carburador S/N: S69511003185-S69511999999                |           |                                       |           |
| <b>Intake .....</b>                                      | <b>10</b> |                                       |           |
| Admisión   |           |                                       |           |
| <b>Exhaust S/N: S69511001001-S69511002000 .....</b>      | <b>11</b> |                                       |           |
| Escape S/N: S69511001001-S69511002000                    |           |                                       |           |
| <b>Exhaust S/N: S69511002001-S69511999999 .....</b>      | <b>12</b> |                                       |           |
| Escape S/N: S69511002001-S69511999999                    |           |                                       |           |
| <b>Engine Cover, Debris Guard.....</b>                   | <b>13</b> |                                       |           |
| Cubierta del Motor, Protector Contra Residuos            |           |                                       |           |
| <b>Starter .....</b>                                     | <b>14</b> |                                       |           |
| Arrancador   |           |                                       |           |
| <b>Ignition.....</b>                                     | <b>15</b> |                                       |           |
| Encendido  |           |                                       |           |
| <b>Fuel System S/N: S69511001001-S69511003256 ...</b>    | <b>16</b> |                                       |           |
| Sistema de combustible S/N:<br>S69511001001-S69511003256 |           |                                       |           |
| <b>Fuel System S/N: S69511003257-S69511999999 ...</b>    | <b>17</b> |                                       |           |
| Sistema de combustible S/N:<br>S69511003257-S69511999999 |           |                                       |           |
| <b>Clutch .....</b>                                      | <b>18</b> |                                       |           |
| Embrague   |           |                                       |           |
| <b>Labels .....</b>                                      | <b>19</b> |                                       |           |
| Etiquetas  |           |                                       |           |
| <b>Handles S/N: S69511001001-S69511002064.....</b>       | <b>20</b> |                                       |           |
| Mangos S/N: S69511001001-S69511002064                    |           |                                       |           |
| <b>Handles S/N: S69511001001-S69511002064.....</b>       | <b>21</b> |                                       |           |
| Mangos S/N: S69511001001-S69511002064                    |           |                                       |           |
| <b>Handles S/N: S69511002065-S69511999999 .....</b>      | <b>22</b> |                                       |           |
| Mangos S/N: S69511002065-S69511999999                    |           |                                       |           |
| <b>Handles S/N: S69511002065-S69511999999 .....</b>      | <b>23</b> |                                       |           |
| Mangos S/N: S69511002065-S69511999999                    |           |                                       |           |



| NO. | PART NUMBER | QTY. | DESCRIPTION           | DESCRIPCIÓN                      |
|-----|-------------|------|-----------------------|----------------------------------|
| 1   | SB1075      | 1    | SHORT BLOCK           | BLOQUE CORTO                     |
| 2   | 10020452133 | 1    | +CRANKCASE KIT        | +JUEGO DE CÁRTER                 |
| 3   | 10021242031 | 2    | ++SEAL, OIL 12        | ++SELLO DE ACEITE 12             |
| 4   | 90016205028 | 3    | ++BOLT 5x28           | ++PERNO 5x28                     |
| 5   | 9403536201  | 2    | ++BEARING, BALL 6201  | ++COJINETE DE BALINES 6201       |
| 6   | 10024242030 | 1    | ++GASKET, CRANKCASE   | ++EMPAQUETADURA DE CÁRTER        |
| 7   | 90033040080 | 2    | ++PIN, LOCATING 4x8   | ++PASADOR DE POSICIONAMIENTO 4x8 |
| 8   | A011000223  | 1    | +CRANKSHAFT           | +CIGÜEÑAL                        |
| 9   | P021007772  | 1    | +PISTON KIT           | +JUEGO DE PISTÓN                 |
| 10  | 10011305930 | 1    | ++BEARING, NEEDLE     | ++COJINETE DE AGUJAS             |
| 11  | 10001408960 | 2    | ++WASHER, THRUST      | ++ARANDELA DE EMPUJE             |
| 12  | 10001504630 | 2    | ++RING, SNAP          | ++ANILLO RETENEDOR               |
| 13  | 10001311520 | 1    | ++PIN, PISTON 8       | ++PASADOR DEL PISTÓN 8           |
| 14  | A101000090  | 1    | ++RING, PISTON        | ++ANILLO DEL PISTÓN              |
| 15  | V100000160  | 1    | +GASKET, CYLINDER     | +EMPAQUETADURA DE CILINDRO       |
| 16  | A130000550  | 1    | +CYLINDER             | +CILINDRO                        |
| 17  | 90016205022 | 2    | +BOLT 5x22            | +PERNO 5x22                      |
| 18  | V104000850  | 1    | +HEAT SHIELD, EXHAUST | +PROTECTOR TÉRMICO DEL ESCAPE    |
| 19  | V103000180  | 1    | +HEAT SHIELD, INTAKE  | +PROTECTOR TÉRMICO DEL ADMISIÓN  |
| 20  | V103000410  | 1    | +GASKET, INTAKE       | +EMPAQUETADURA DE ADMISIÓN       |
| 21  | P021013501  | 1    | GASKET KIT            | JUEGO DE EMPAQUETADURA           |

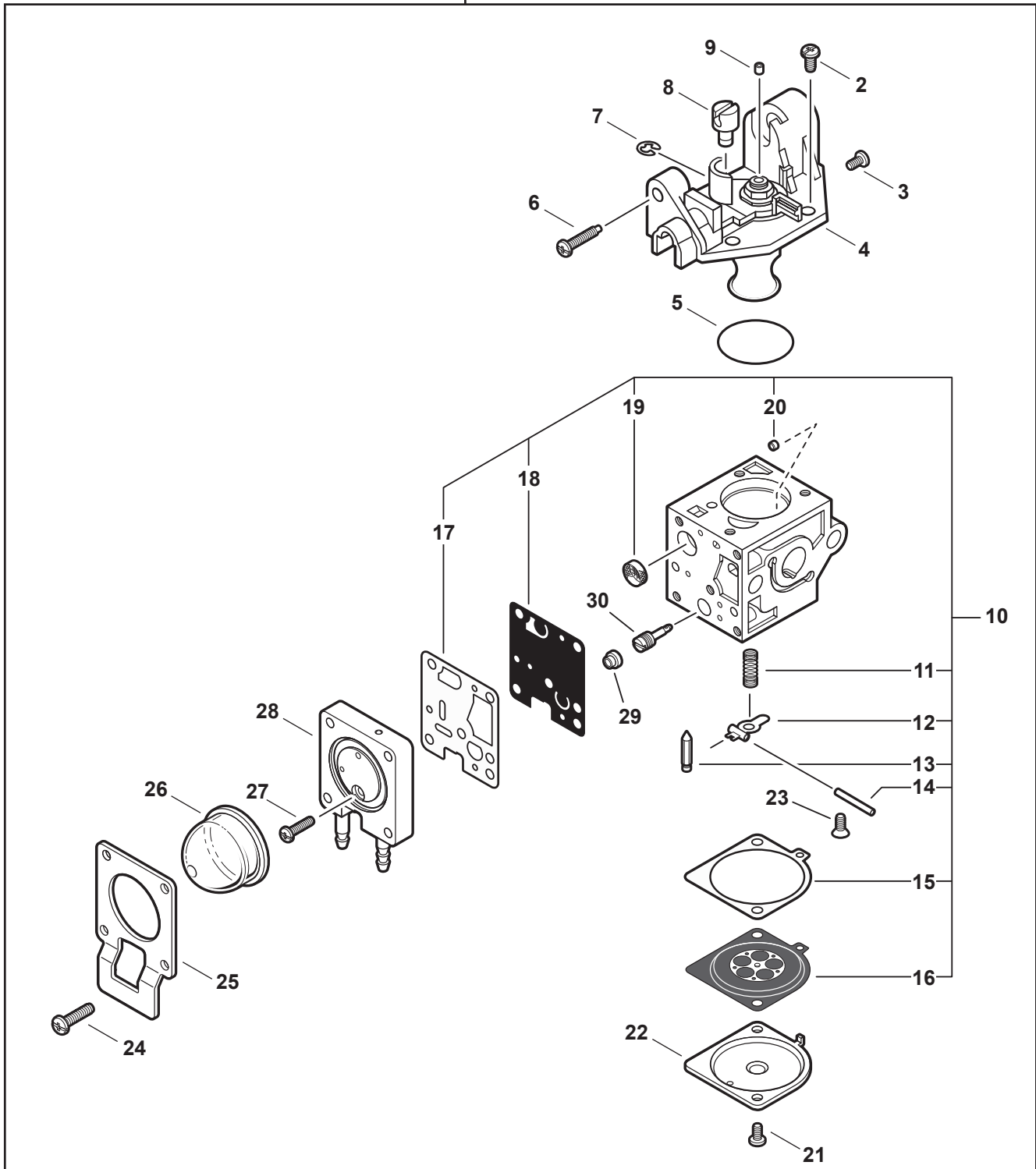
1





| NO. | PART NUMBER | QTY. | DESCRIPTION                 | DESCRIPCIÓN                            |
|-----|-------------|------|-----------------------------|--|
| 1   | A021001520  | 1    | CARBURETOR -- RB-K88        | CARBURADOR -- RB-K88                   |
| 2   | 12534413931 | 3    | +SCREW                      | +TORNILLO                              |
| 3   | 12534452130 | 1    | +SCREW                      | +TORNILLO                              |
| 4   | P005001320  | 1    | +ROTOR COVER ASSY           | +CONJUNTO DE CUBIERTA DEL ROTOR        |
| 5   | P005000280  | 1    | +O-RING                     | +ANILLO O                              |
| 6   | P005000100  | 1    | +SCREW, IDLE ADJUST         | +TORNILLO, AJUSTE DE RALENTÍ           |
| 7   | P005000190  | 1    | +RING, RETAINING            | +ANILLO, RETÉN                         |
| 8   | P005002090  | 1    | +SWIVEL                     | +PIVOTE                                |
| 9   | P005001270  | 1    | +PLUG                       | +TAPÓN                                 |
| 10  | P005001670  | 1    | +REPAIR KIT                 | +KIT DE REPARACIÓN                     |
| 11  | -----       | 1    | ++SPRING, METERING LEVER    | ++RESORTE, PALANCA DE DOSIFICACIÓN     |
| 12  | -----       | 1    | ++LEVER, METERING           | ++PALANCA, DOSIFICACIÓN                |
| 13  | -----       | 1    | ++VALVE, INLET NEEDLE       | ++VÁLVULA DE AGUJA, ADMISIÓN           |
| 14  | -----       | 1    | ++PIN, METERING LEVER       | ++PASADOR, PALANCA DE DOSIFICACIÓN     |
| 15  | -----       | 1    | ++GASKET, DIAPHRAGM         | ++JUNTA, DIAFRAGMA                     |
| 16  | -----       | 1    | ++DIAPHRAGM, METERING       | ++DIAFRAGMA, DOSIFICACIÓN              |
| 17  | -----       | 1    | ++GASKET, PUMP              | ++JUNTA, BOMBA                         |
| 18  | -----       | 1    | ++DIAPHRAGM, PUMP           | ++DIAFRAGMA, BOMBA                     |
| 19  | -----       | 1    | ++STRAINER                  | ++TAMIZ                                |
| 20  | P005001000  | 1    | ++GUIDE, ROLLER             | ++GUÍA, RODILLO                        |
| 21  | 12534452130 | 2    | +SCREW                      | +TORNILLO                              |
| 22  | 12534252130 | 1    | +COVER, METERING            | +CUBIERTA, MEDICIÓN                    |
| 23  | 12533942030 | 1    | +SCREW, METERING LEVER PIN  | +TORNILLO, PASADOR DE RETÉN            |
| 24  | P005001900  | 4    | +SCREW, PURGE BULB RETAINER | +TORNILLO, RETÉN DEL BULBO DE LA PURGA |
| 25  | P005000250  | 1    | +RETAINER, PURGE BULB       | +RETÉN, BULBO DE LA PURGA              |
| 26  | 12538108660 | 1    | +BULB, PURGE                | +BULBO, PURGA                          |
| 27  | P005000270  | 1    | +SCREW, PURGE BASE          | +TORNILLO, BASE, PURGA                 |
| 28  | P005001890  | 1    | +BASE, PURGE                | +BASE, PURGA                           |
| 29  | P005001270  | 1    | +PLUG                       | +TAPÓN                                 |
| 30  | P005001260  | 1    | +NEEDLE - HIGH SPEED        | +AGUJA - ALTA VELOCIDAD                |

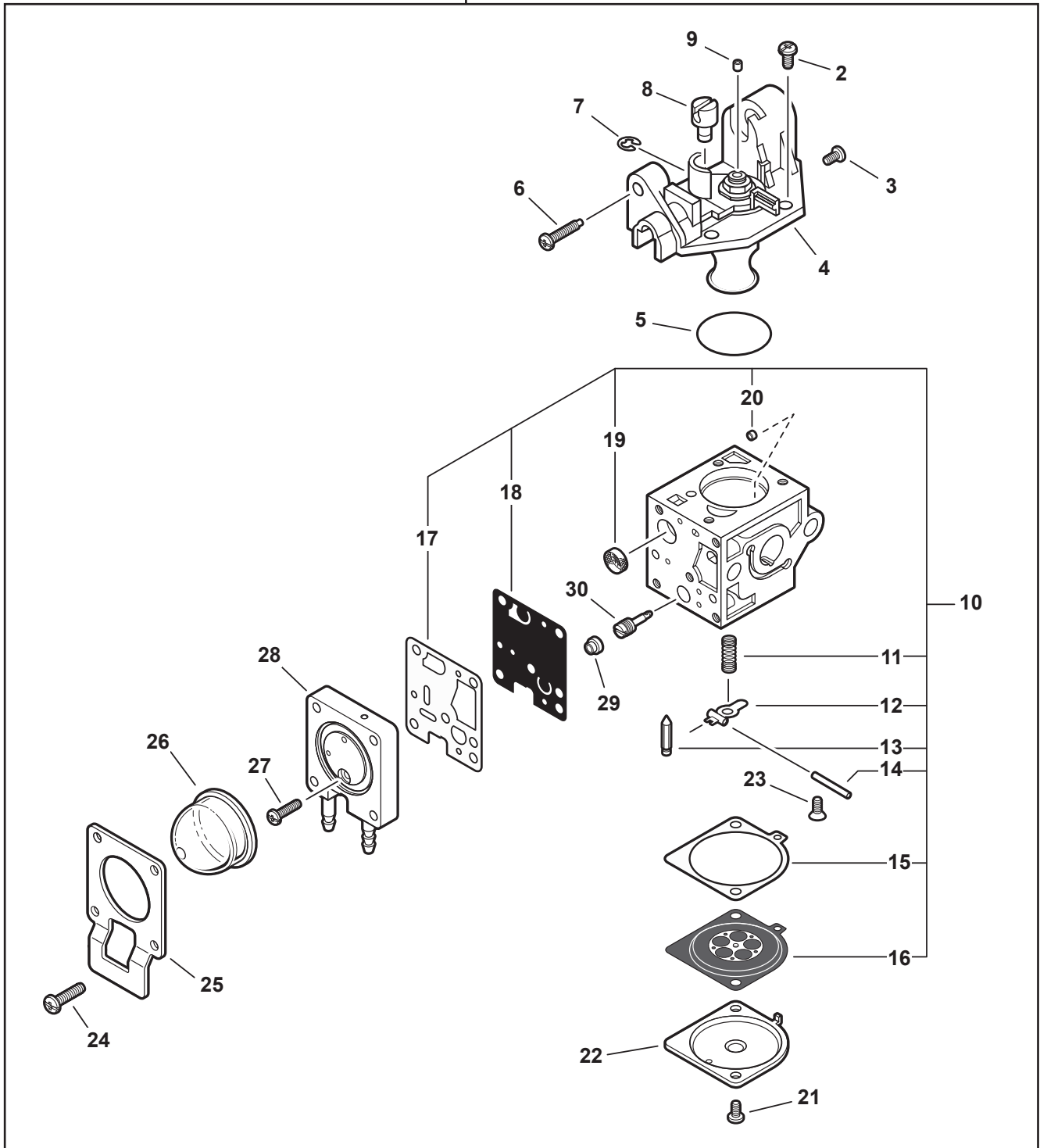
1





| NO. | PART NUMBER | QTY. | DESCRIPTION                 | DESCRIPCIÓN                            |
|-----|-------------|------|-----------------------------|--|
| 1   | A021001610  | 1    | CARBURETOR -- RB-K91        | CARBURADOR -- RB-K91                   |
| 2   | 12534413931 | 3    | +SCREW                      | +TORNILLO                              |
| 3   | 12534452130 | 1    | +SCREW                      | +TORNILLO                              |
| 4   | P005002050  | 1    | +ROTOR COVER ASSY           | +CONJUNTO DE CUBIERTA DEL ROTOR        |
| 5   | P005000280  | 1    | +O-RING                     | +ANILLO O                              |
| 6   | P005000100  | 1    | +SCREW, IDLE ADJUST         | +TORNILLO, AJUSTE DE RALENTÍ           |
| 7   | P005000190  | 1    | +RING, RETAINING            | +ANILLO, RETÉN                         |
| 8   | P005002090  | 1    | +SWIVEL                     | +PIVOTE                                |
| 9   | P005001270  | 1    | +PLUG                       | +TAPÓN                                 |
| 10  | P005001670  | 1    | +REPAIR KIT                 | +KIT DE REPARACIÓN                     |
| 11  | -----       | 1    | ++SPRING, METERING LEVER    | ++RESORTE, PALANCA DE DOSIFICACIÓN     |
| 12  | -----       | 1    | ++LEVER, METERING           | ++PALANCA, DOSIFICACIÓN                |
| 13  | -----       | 1    | ++VALVE, INLET NEEDLE       | ++VÁLVULA DE AGUJA, ADMISIÓN           |
| 14  | -----       | 1    | ++PIN, METERING LEVER       | ++PASADOR, PALANCA DE DOSIFICACIÓN     |
| 15  | -----       | 1    | ++GASKET, DIAPHRAGM         | ++JUNTA, DIAFRAGMA                     |
| 16  | -----       | 1    | ++DIAPHRAGM, METERING       | ++DIAFRAGMA, DOSIFICACIÓN              |
| 17  | -----       | 1    | ++GASKET, PUMP              | ++JUNTA, BOMBA                         |
| 18  | -----       | 1    | ++DIAPHRAGM, PUMP           | ++DIAFRAGMA, BOMBA                     |
| 19  | -----       | 1    | ++STRAINER                  | ++TAMIZ                                |
| 20  | P005001000  | 1    | ++GUIDE, ROLLER             | ++GUÍA, RODILLO                        |
| 21  | 12534452130 | 2    | +SCREW                      | +TORNILLO                              |
| 22  | 12534252130 | 1    | +COVER, METERING            | +CUBIERTA, MEDICIÓN                    |
| 23  | 12533942030 | 1    | +SCREW, METERING LEVER PIN  | +TORNILLO, PASADOR DE RETÉN            |
| 24  | P005001900  | 4    | +SCREW, PURGE BULB RETAINER | +TORNILLO, RETÉN DEL BULBO DE LA PURGA |
| 25  | P005000250  | 1    | +RETAINER, PURGE BULB       | +RETÉN, BULBO DE LA PURGA              |
| 26  | 12538108660 | 1    | +BULB, PURGE                | +BULBO, PURGA                          |
| 27  | P005000270  | 1    | +SCREW, PURGE BASE          | +TORNILLO, BASE, PURGA                 |
| 28  | P005001890  | 1    | +BASE, PURGE                | +BASE, PURGA                           |
| 29  | P005001270  | 1    | +PLUG                       | +TAPÓN                                 |
| 30  | P005002060  | 1    | +NEEDLE - HIGH SPEED        | +AGUJA - ALTA VELOCIDAD                |

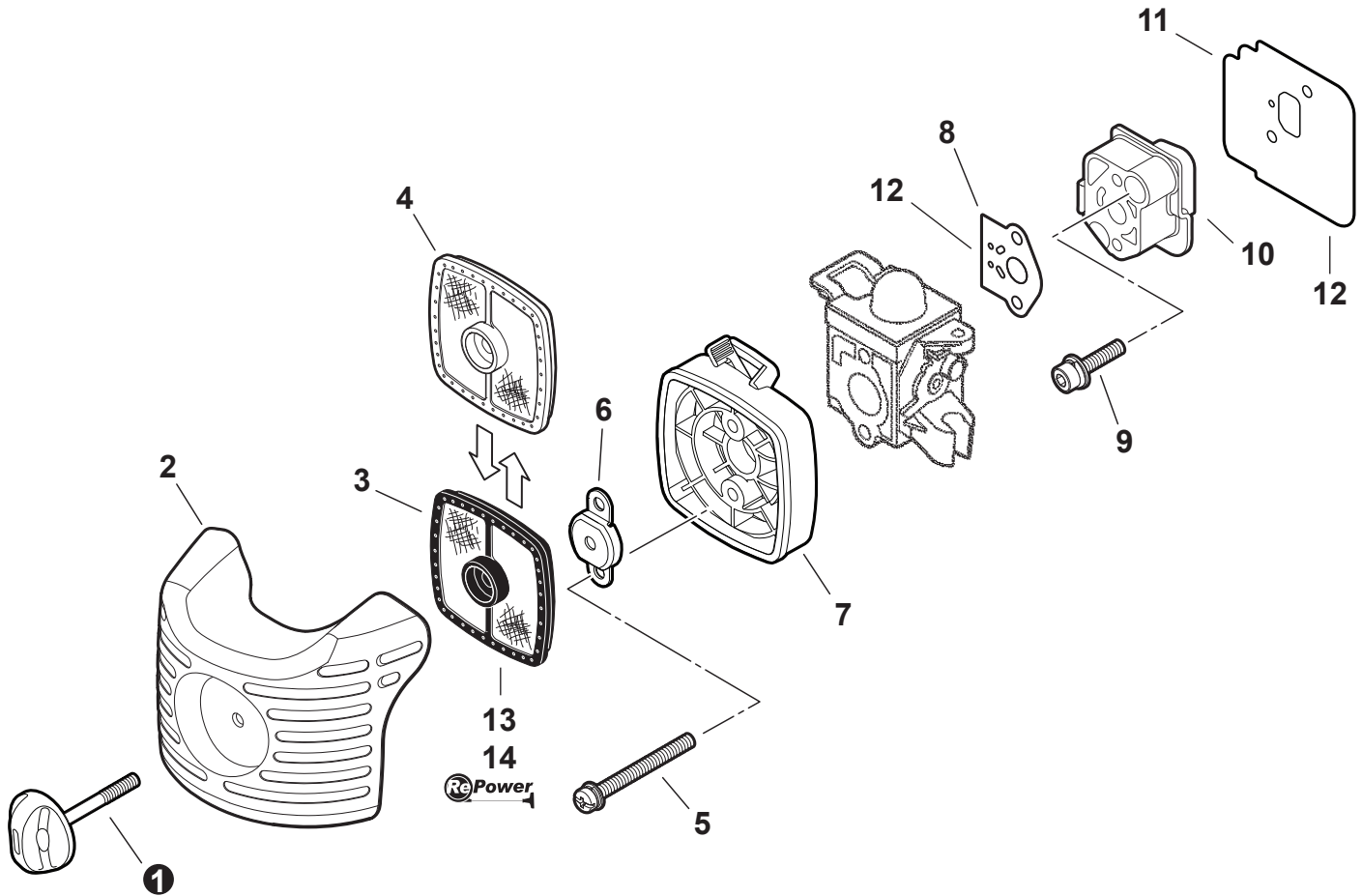
1



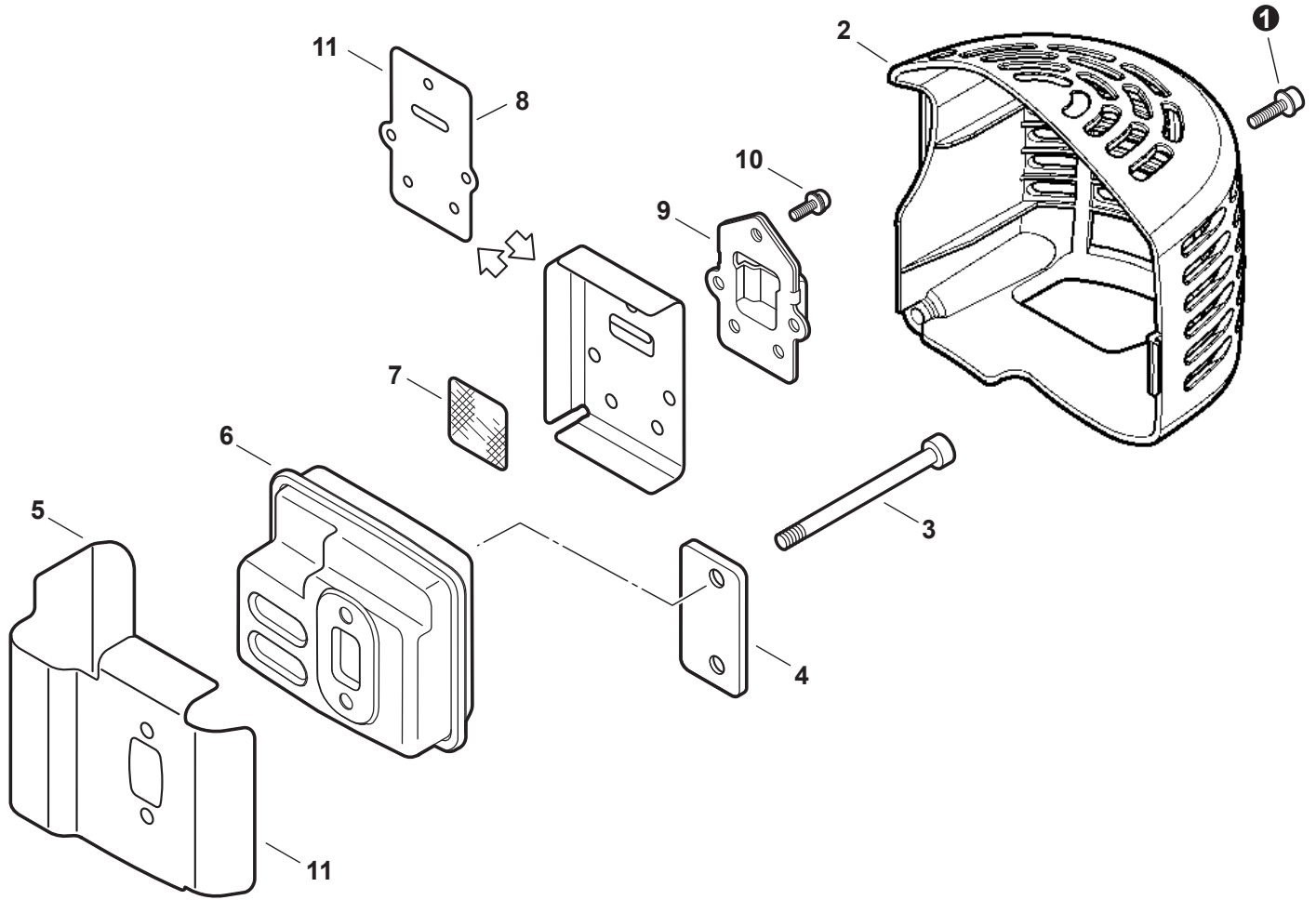




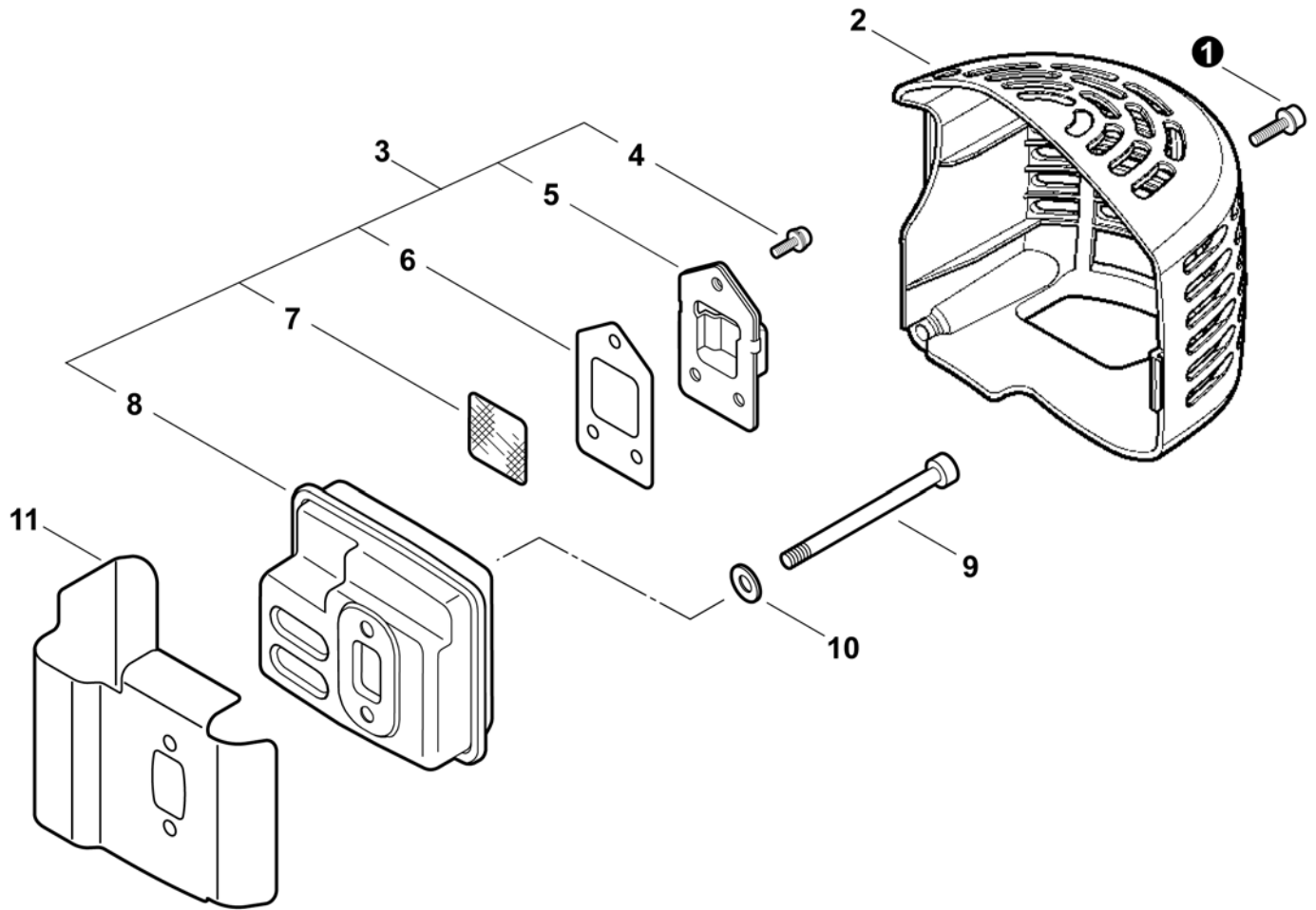
| NO. | PART NUMBER | QTY. | DESCRIPTION                 | DESCRIPCIÓN                            |
|-----|-------------|------|-----------------------------|--|
| 1   | A021001611  | 1    | CARBURETOR -- RB-K91A       | CARBURADOR -- RB-K91A                  |
| 2   | 12534413931 | 3    | +SCREW                      | +TORNILLO                              |
| 3   | 12534452130 | 1    | +SCREW                      | +TORNILLO                              |
| 4   | P005002050  | 1    | +ROTOR COVER ASSY           | +CONJUNTO DE CUBIERTA DEL ROTOR        |
| 5   | P005000280  | 1    | +O-RING                     | +ANILLO O                              |
| 6   | P005000100  | 1    | +SCREW, IDLE ADJUST         | +TORNILLO, AJUSTE DE RALENTÍ           |
| 7   | P005000190  | 1    | +RING, RETAINING            | +ANILLO, RETÉN                         |
| 8   | P005002090  | 1    | +SWIVEL                     | +PIVOTE                                |
| 9   | P005001270  | 1    | +PLUG                       | +TAPÓN                                 |
| 10  | P005001670  | 1    | +REPAIR KIT                 | +KIT DE REPARACIÓN                     |
| 11  | -----       | 1    | ++SPRING, METERING LEVER    | ++RESORTE, PALANCA DE DOSIFICACIÓN     |
| 12  | -----       | 1    | ++LEVER, METERING           | ++PALANCA, DOSIFICACIÓN                |
| 13  | -----       | 1    | ++VALVE, INLET NEEDLE       | ++VÁLVULA DE AGUJA, ADMISIÓN           |
| 14  | -----       | 1    | ++PIN, METERING LEVER       | ++PASADOR, PALANCA DE DOSIFICACIÓN     |
| 15  | -----       | 1    | ++GASKET, DIAPHRAGM         | ++JUNTA, DIAFRAGMA                     |
| 16  | -----       | 1    | ++DIAPHRAGM, METERING       | ++DIAFRAGMA, DOSIFICACIÓN              |
| 17  | -----       | 1    | ++GASKET, PUMP              | ++JUNTA, BOMBA                         |
| 18  | -----       | 1    | ++DIAPHRAGM, PUMP           | ++DIAFRAGMA, BOMBA                     |
| 19  | -----       | 1    | ++STRAINER                  | ++TAMIZ                                |
| 20  | P005001000  | 1    | ++GUIDE, ROLLER             | ++GUÍA, RODILLO                        |
| 21  | 12534452130 | 2    | +SCREW                      | +TORNILLO                              |
| 22  | 12534252130 | 1    | +COVER, METERING            | +CUBIERTA, MEDICIÓN                    |
| 23  | 12533942030 | 1    | +SCREW, METERING LEVER PIN  | +TORNILLO, PASADOR DE RETÉN            |
| 24  | P005001900  | 4    | +SCREW, PURGE BULB RETAINER | +TORNILLO, RETÉN DEL BULBO DE LA PURGA |
| 25  | P005000250  | 1    | +RETAINER, PURGE BULB       | +RETÉN, BULBO DE LA PURGA              |
| 26  | 12538108660 | 1    | +BULB, PURGE                | +BULBO, PURGA                          |
| 27  | P005000270  | 1    | +SCREW, PURGE BASE          | +TORNILLO, BASE, PURGA                 |
| 28  | P005001890  | 1    | +BASE, PURGE                | +BASE, PURGA                           |
| 29  | P005001270  | 1    | +PLUG                       | +TAPÓN                                 |
| 30  | P005002060  | 1    | +NEEDLE - HIGH SPEED        | +AGUJA - ALTA VELOCIDAD                |



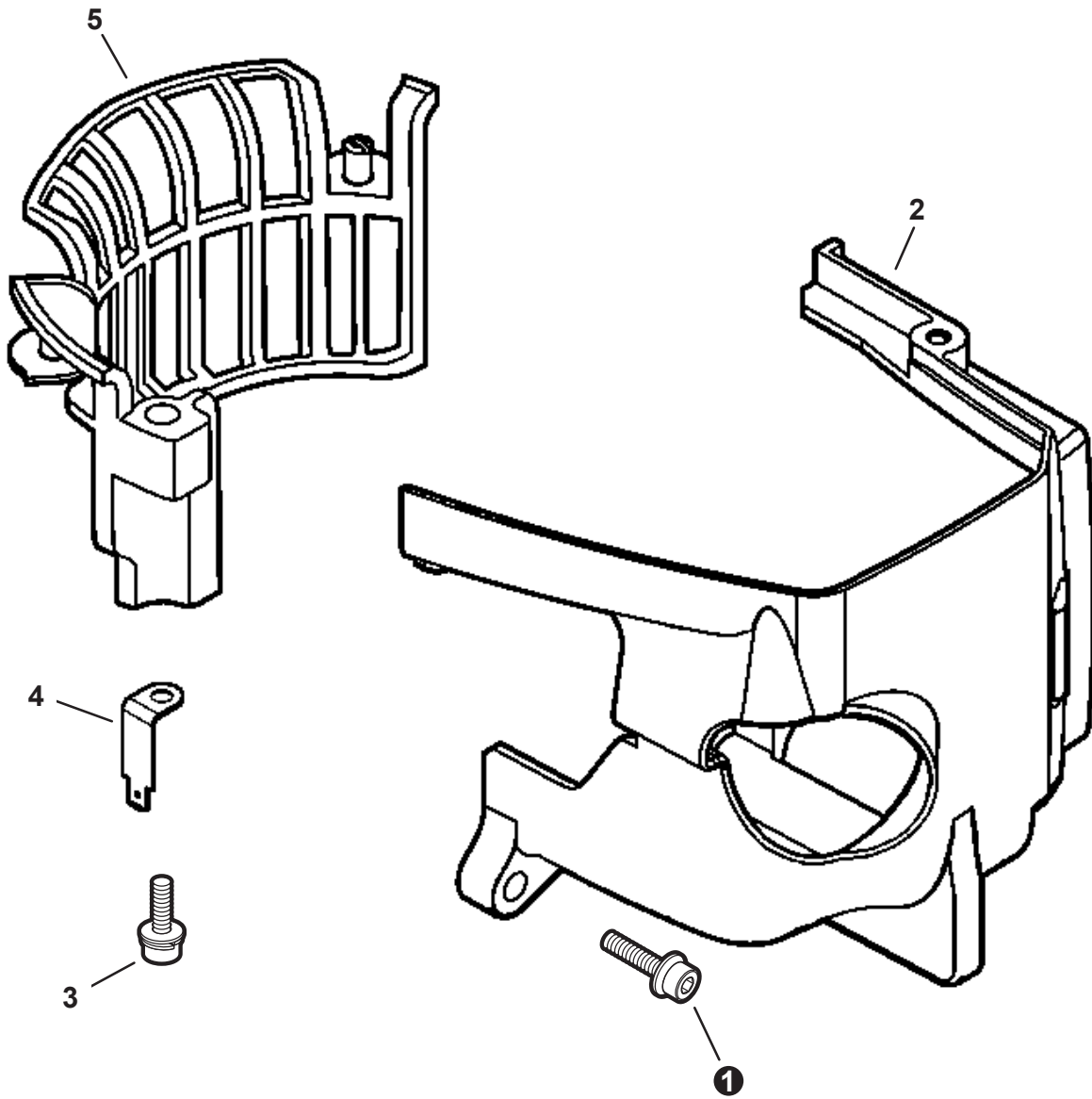
| NO. | PART NUMBER | QTY. | DESCRIPTION                | DESCRIPCIÓN                 |
|-----|-------------|------|----------------------------|-----------------------------|
| 1   | V299000250  | 1    | THUMBSCREW                 | TORNILLO, DE OREJETAS       |
| 2   | A232000400  | 1    | COVER, AIR FILTER          | CUBIERTA, FILTRO DE AIRE    |
| 3   | A226001410  | 1    | FILTER, AIR - DOUBLE LAYER | FILTRO DE AIRE - CAPA DOBLE |
| 4   | 13031054130 | 1    | FILTER, AIR - SINGLE LAYER | FILTRO DE AIRE - CAPA ÚNICA |
| 5   | 90024205065 | 2    | SCREW - 5×65               | TORNILLO - 5×65             |
| 6   | 12901152730 | 1    | PLATE, PREVENT             | PLACA, PRE-RESPIRADERO      |
| 7   | P021012870  | 1    | CASE, AIR FILTER           | CARCASA, FILTRO DE AIRE     |
| 8   | V103000410  | 1    | GASKET, INTAKE             | JUNTA, ADMISIÓN             |
| 9   | A200000300  | 1    | INSULATOR, INTAKE          | ADMISIÓN, ADMISIÓN          |
| 10  | 90016205025 | 2    | SCREW - 5×25               | TORNILLO - 5×25             |
| 11  | V103000180  | 1    | SHIELD, INTAKE             | PROTECTOR, ADMISIÓN         |
| 12  | P021013501  | 1    | GASKET KIT                 | KIT DE JUNTAS               |
| 13  | 90008       | 1    | RePower FILTER KIT         | JUEGO DE FILTRO - REPOWER   |
| 14  | 90152       | 1    | RePower TUNE-UP KIT        | KIT DE PUESTA A PUNTO       |



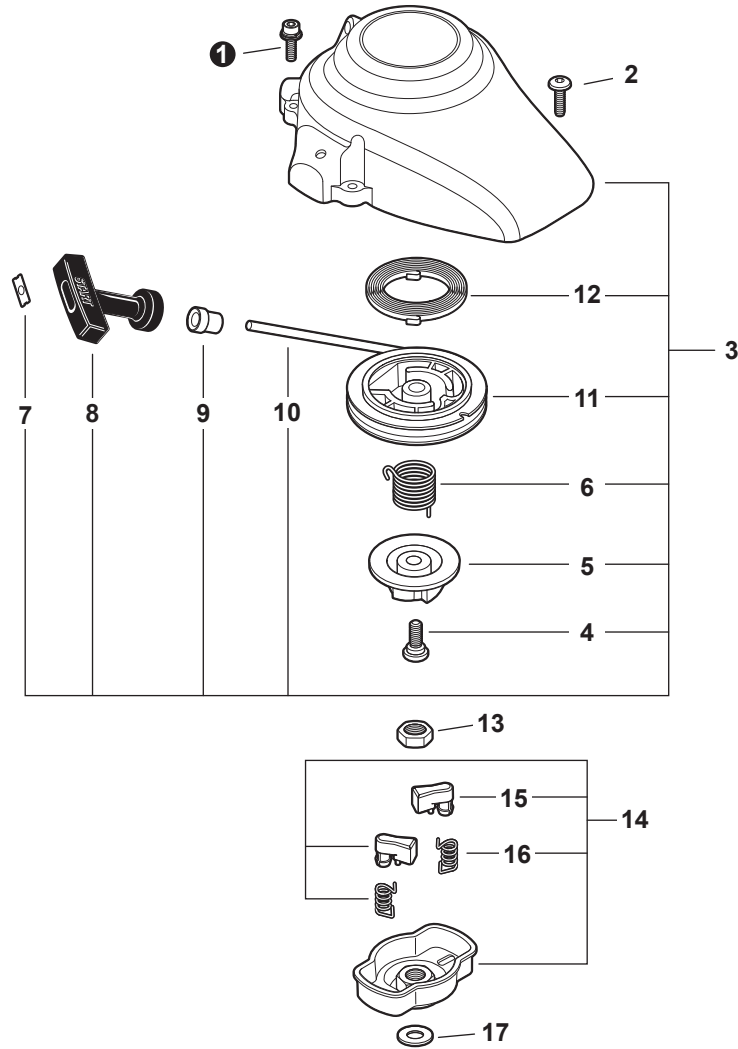
| NO. | PART NUMBER       | QTY. | DESCRIPTION            | DESCRIPCIÓN                   |
|-----|-------------------|------|------------------------|-------------------------------|
| 1   | 90010605016       | 2    | SCREW - 5×16           | TORNILLO - 5×16               |
| 2   | A320000430        | 1    | COVER, EXHAUST         | CUBIERTA, ESCAPE              |
| 3   | 90010505055       | 2    | SCREW - 5×55           | TORNILLO - 5×55               |
| 4   | V150000371        | 1    | PLATE                  | PLACA                         |
| 5   | V104000850        | 1    | SHIELD, EXHAUST        | PROTECTOR, ESCAPE             |
| 6   | A300000141        | 1    | MUFFLER                | SILENCIADOR                   |
| 7   | 14586240630       | 1    | SCREEN, SPARK ARRESTOR | PANTALLA, SUPRESOR DE CHISPAS |
| 8   | V104001760        | 1    | GASKET, EXHAUST        | JUNTA, ESCAPE                 |
| 9   | A313000600        | 1    | GUIDE, EXHAUST         | GUÍA, ESCAPE                  |
| 10  | 9136704010        | 5    | SCREW - 4×10           | TORNILLO - 4×10               |
| 11  | <b>P021013501</b> | 1    | <b>GASKET KIT</b>      | <b>KIT DE JUNTAS</b>          |



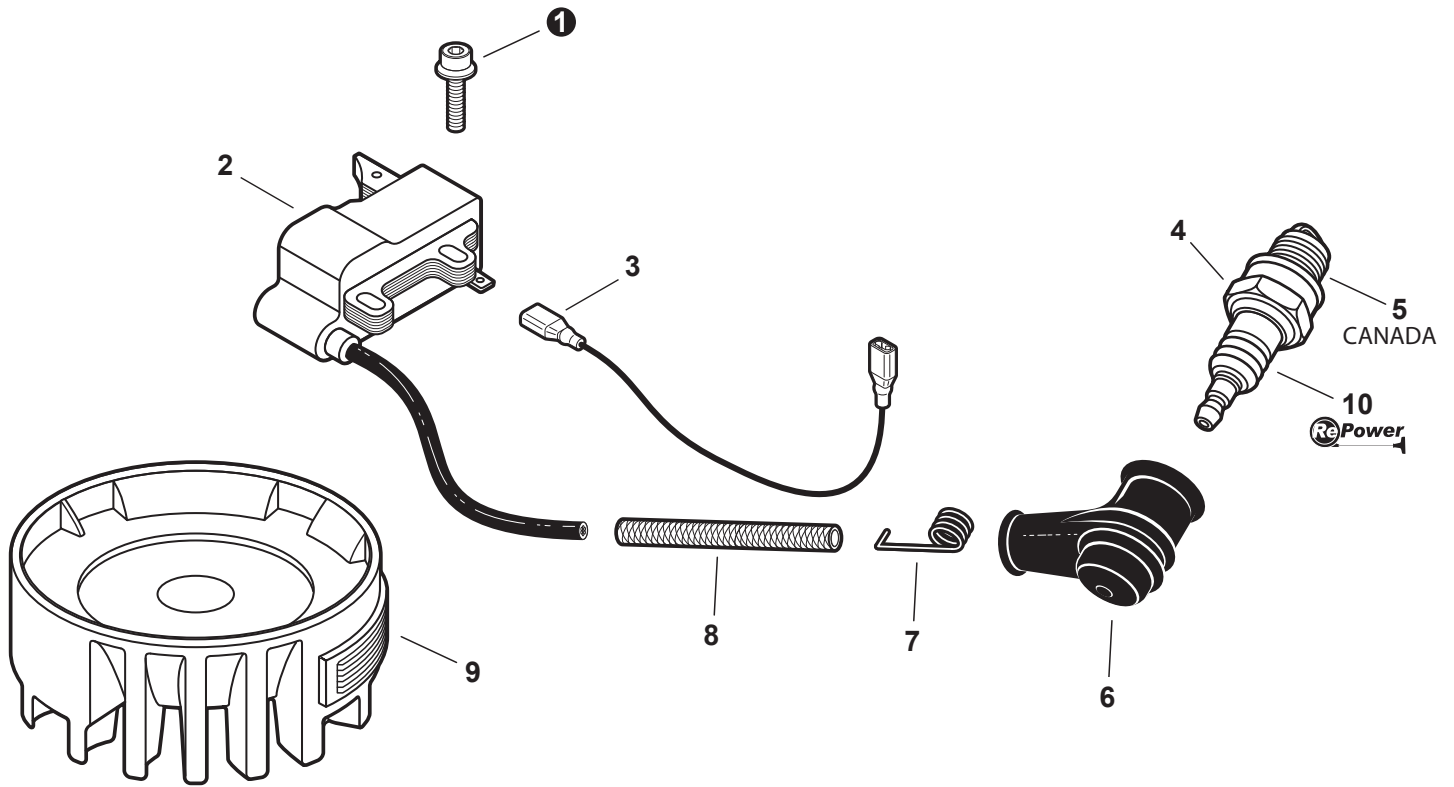
| NO. | PART NUMBER       | QTY. | DESCRIPTION             | DESCRIPCIÓN                    |
|-----|-------------------|------|-------------------------|--------------------------------|
| 1   | 90010605016       | 2    | SCREW - 5×16            | TORNILLO - 5×16                |
| 2   | A320000430        | 1    | COVER, EXHAUST          | CUBIERTA, ESCAPE               |
| 3   | <b>P021007420</b> | 1    | <b>MUFFLER ASSY</b>     | <b>MONTAJE DE SILENCIADOR</b>  |
| 4   | 90024204010       | 3    | +SCREW - 4×10           | +TORNILLO - 4×10               |
| 5   | A313000580        | 1    | +GUIDE, EXHAUST         | +GUÍA, ESCAPE                  |
| 6   | 14586642031       | 1    | +GASKET, EXHAUST        | +JUNTA, ESCAPE                 |
| 7   | 14586240630       | 1    | +SCREEN, SPARK ARRESTOR | +PANTALLA, SUPRESOR DE CHISPAS |
| 8   | 14580642030       | 1    | +MUFFLER                | +SILENCIADOR                   |
| 9   | 90010505055       | 2    | SCREW - 5×55            | TORNILLO - 5×55                |
| 10  | 90060000005       | 2    | WASHER - 5              | ARANDELA - 5                   |
| 11  | V104000850        | 1    | ARANDELA - 5            | PROTECTOR, ESCAPE              |



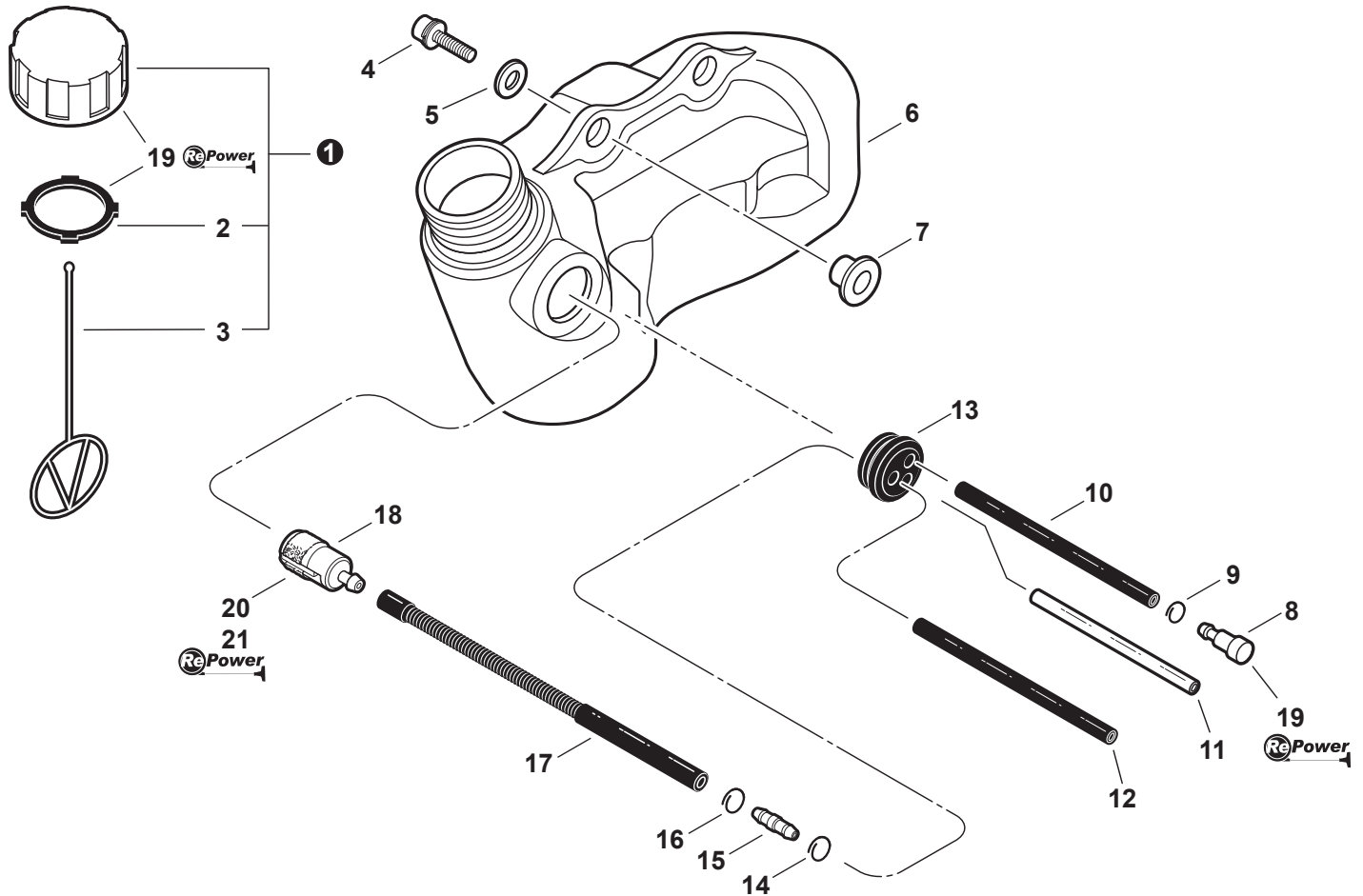
| NO. | PART NUMBER | QTY. | DESCRIPTION       | DESCRIPCIÓN          |
|-----|-------------|------|-------------------|----------------------|
| 1   | 90010605016 | 1    | SCREW - 5×16      | TORNILLO - 5×16      |
| 2   | A160000880  | 1    | COVER, ENGINE     | CUBIERTA, MOTOR      |
| 3   | 90016205016 | 1    | SCREW - 5×16      | TORNILLO - 5×16      |
| 4   | C152000410  | 1    | TERMINAL - GROUND | TERMINAL - DE TIERRA |
| 5   | A127000170  | 1    | GUARD, DEBRIS     | PROTECTOR, RESIDUOS  |



| NO. | PART NUMBER       | QTY.     | DESCRIPTION              | DESCRIPCIÓN                                 |
|-----|-------------------|----------|--------------------------|---|
| 1   | 90016304016       | 4        | SCREW - 4x16             | TORNILLO - 4x16                             |
| 2   | V202000030        | 1        | SCREW - 4                | TORNILLO - 4                                |
| 3   | <b>A051001110</b> | <b>1</b> | <b>STARTER ASSY</b>      | <b>CONJUNTO DE ARRANCADOR</b>               |
| 4   | 17723661830       | 1        | +SCREW                   | +TORNILLO                                   |
| 5   | A507000030        | 1        | +CATCHER, PAWL           | +ATRAPADOR, TRINQUETE                       |
| 6   | V452000150        | 1        | +SPRING                  | +RESORTE                                    |
| 7   | 17724611120       | 1        | +RETAINER, ROPE          | +RETÉN, CUERDA                              |
| 8   | 17722827030       | 1        | +GRIP, STARTER           | +AGARRE, ARRANCADOR                         |
| 9   | 17722742030       | 1        | +GUIDE, ROPE             | +GUÍA, CUERDA                               |
| 10  | P022008260        | 1        | +ROPE, STARTER - 3x700   | +CUERDA, ARRANCADOR - 3x700                 |
| 11  | P022006830        | 1        | +REEL, ROPE              | +CARRETE, CUERDA                            |
| 12  | 17722042030       | 1        | +SPRING, REWIND          | +RESORTE, REBOBINADO                        |
| 13  | 90051200008       | 1        | NUT - LEFT HAND          | TUERCA - ROSCA IZQUIERDA                    |
| 14  | <b>A052000210</b> | <b>1</b> | <b>STARTER PAWL ASSY</b> | <b>CONJUNTO DE TRINQUETE DEL ARRANCADOR</b> |
| 15  | P022020030        | 2        | +PAWL, STARTER           | +TRINQUETE, ARRANCADOR                      |
| 16  | P022007980        | 2        | +SPRING, RETURN          | +RESORTE, RETORNO                           |
| 17  | 90060000008       | 1        | WASHER - 8               | ARANDELA - 8                                |

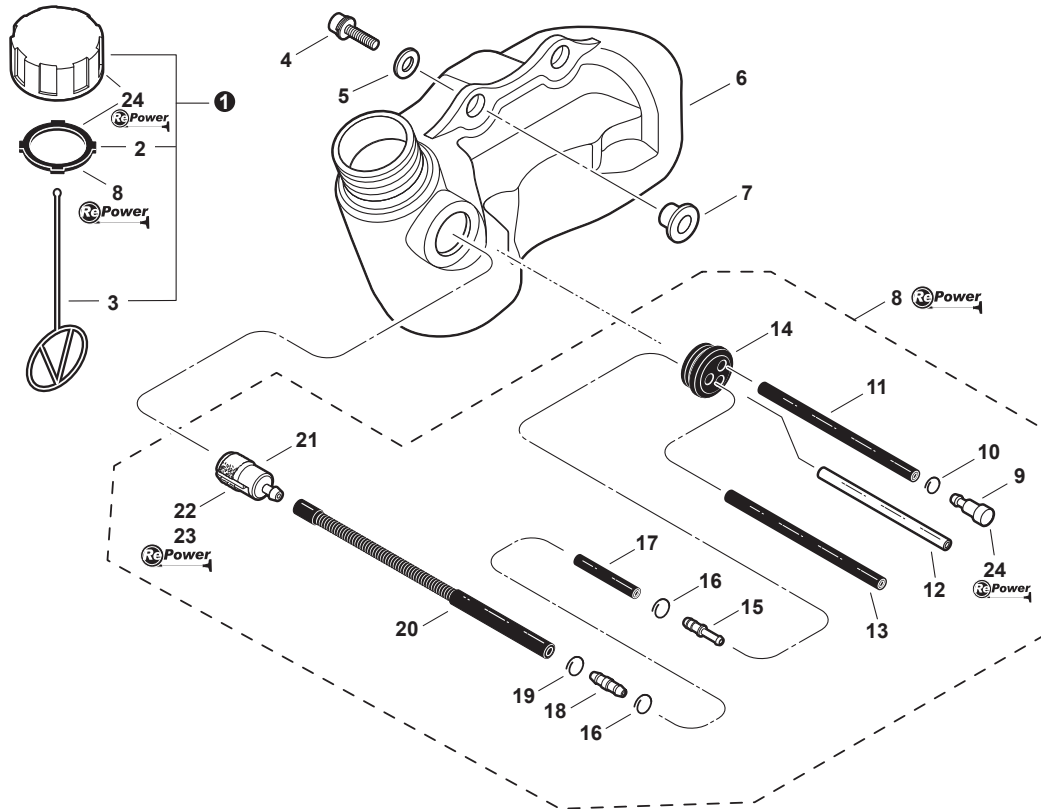


| NO. | PART NUMBER | QTY. | DESCRIPTION              | DESCRIPCIÓN                 |
|-----|-------------|------|--------------------------|-----------------------------|
| 1   | 9111304020  | 2    | SCREW - 4x20             | TORNILLO - 4x20             |
| 2   | A411000130  | 1    | COIL, IGNITION           | BOBINA, IGNICIÓN            |
| 3   | V485000870  | 1    | LEAD - IGNITION          | CABLE - IGNICIÓN            |
| 4   | 15901019830 | 1    | SPARK PLUG -- BPM8Y      | BUJÍA -- BPM8Y              |
| 5   | A425000000  | 1    | SPARK PLUG -- BPMR8Y     | BUJÍA -- BPMR8Y             |
| 6   | A427000013  | 1    | CAP, SPARK PLUG          | TAPA, BUJÍA                 |
| 7   | A426000010  | 1    | TERMINAL, SPARK PLUG CAP | TERMINAL, CAPUCHÓN DE BUJÍA |
| 8   | V475001610  | 1    | TUBE, INSULATOR          | TUBO, AISLANTE              |
| 9   | A409000210  | 1    | FLYWHEEL                 | VOLANTE                     |
| 10  | 90152       | 1    | RePower TUNE-UP KIT      | KIT DE PUESTA A PUNTO       |

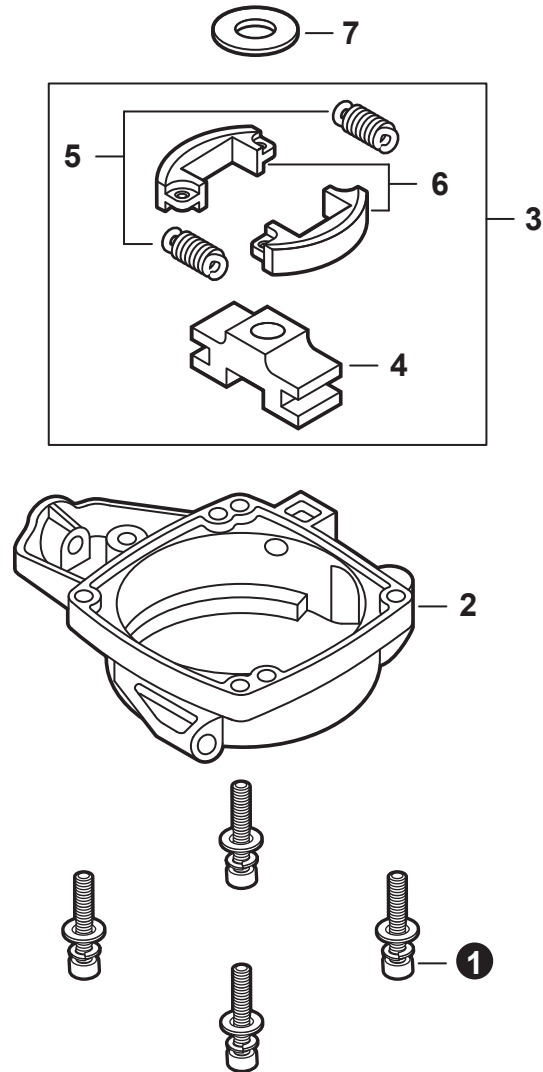


| NO. | PART NUMBER | QTY. | DESCRIPTION              | DESCRIPCIÓN                        |
|-----|-------------|------|--------------------------|------------------------------------|
| 1   | P021012210  | 1    | CAP ASSY                 | CONJUNTO DE TAPA                   |
| 2   | 13101655830 | 1    | +GASKET, CAP             | +JUNTA, TAPA                       |
| 3   | A365000060  | 1    | +CONNECTOR, CAP          | +CONECTOR, TAPA                    |
| 4   | 90016205020 | 3    | SCREW - 5×20             | TORNILLO - 5×20                    |
| 5   | 90060300005 | 3    | WASHER - 5               | ARANDELA - 5                       |
| 6   | A350000810  | 1    | TANK, FUEL               | TANQUE, COMBUSTIBLE                |
| 7   | V353000231  | 3    | COLLAR                   | ESPACIADOR                         |
| 8   | A356000031  | 1    | VENT, FUEL TANK          | RESPIRADERO, TANQUE DE COMBUSTIBLE |
| 9   | 43741119830 | 1    | CLIP - 6.6               | GANCHO - 6.6                       |
| 10  | V471001880  | 1    | PIPE - 3×6×65 -- BLACK   | TUBO - 3×6×65 -- NEGRO             |
| 11  | 13201040830 | 1    | PIPE - 3×6×75 -- CLEAR   | TUBO - 3×6×75 -- TRANSPARENTE      |
| 12  | 13011054430 | 1    | PIPE - 3×6×105 -- BLACK  | TUBO - 3×6×105 -- NEGRO            |
| 13  | 13211555930 | 1    | GROMMET                  | ANILLO DE GOMA                     |
| 14  | 13201309820 | 1    | CLIP - 6                 | GANCHO - 6                         |
| 15  | V186000020  | 1    | CONNECTOR, PIPE          | CONECTOR, TUBO                     |
| 16  | V490001230  | 1    | CLIP - 6.5               | GANCHO - 6.5                       |
| 17  | 13201212361 | 1    | PIPE, FUEL - CORRUGATED  | TUBO, COMBUSTIBLE - CORRUGADO      |
| 18  | 13120507320 | 1    | FILTER, FUEL             | FILTRO DE COMBUSTIBLE              |
| 19  | 90010       | 1    | Repower CAP AND VENT KIT | KIT DE TAPA Y RESPIRADERO          |
| 20  | 90008       | 1    | RePower FILTER KIT       | JUEGO DE FILTRO - REPOWER          |
| 21  | 90152       | 1    | RePower TUNE-UP KIT      | KIT DE PUESTA A PUNTO              |

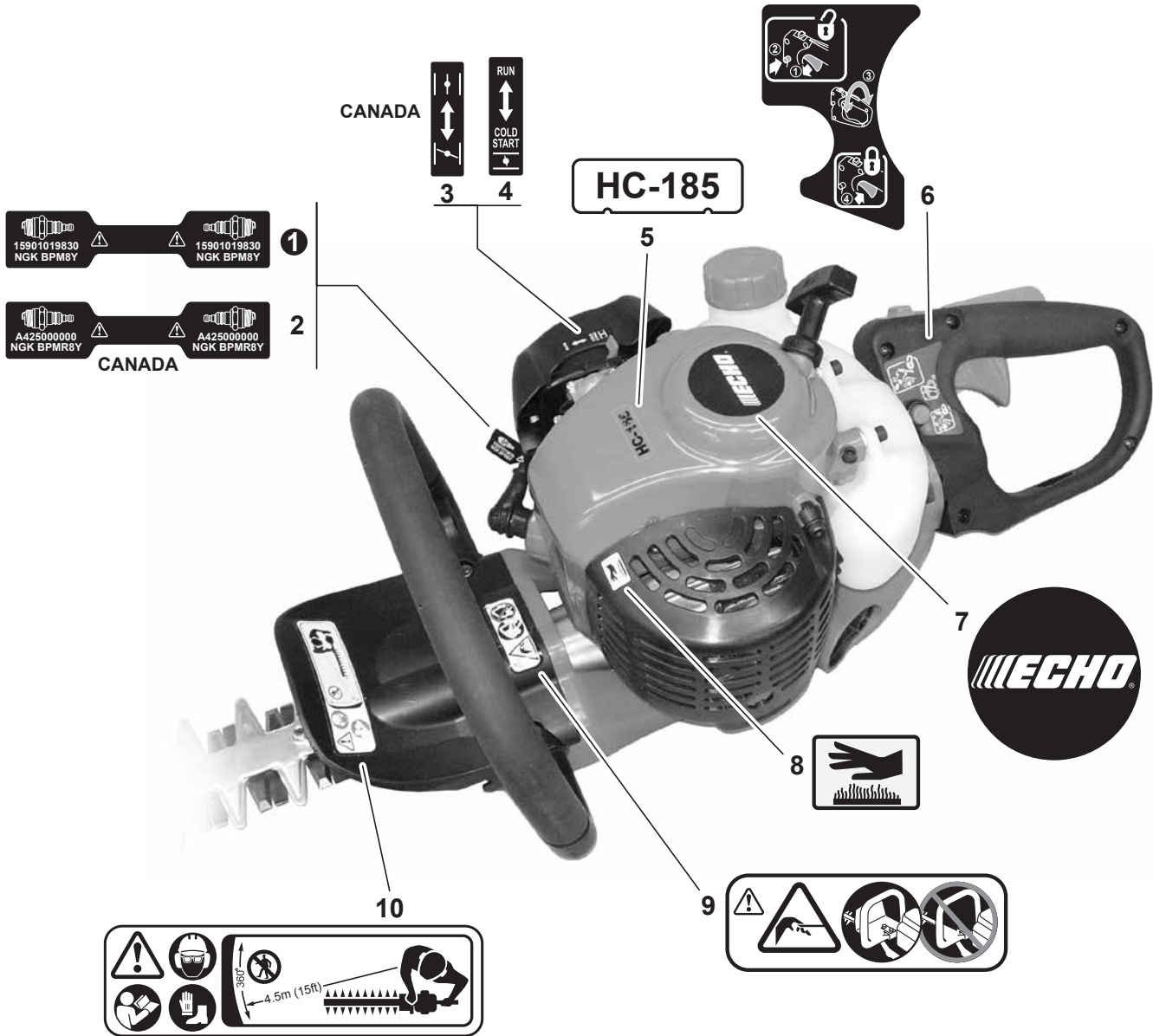




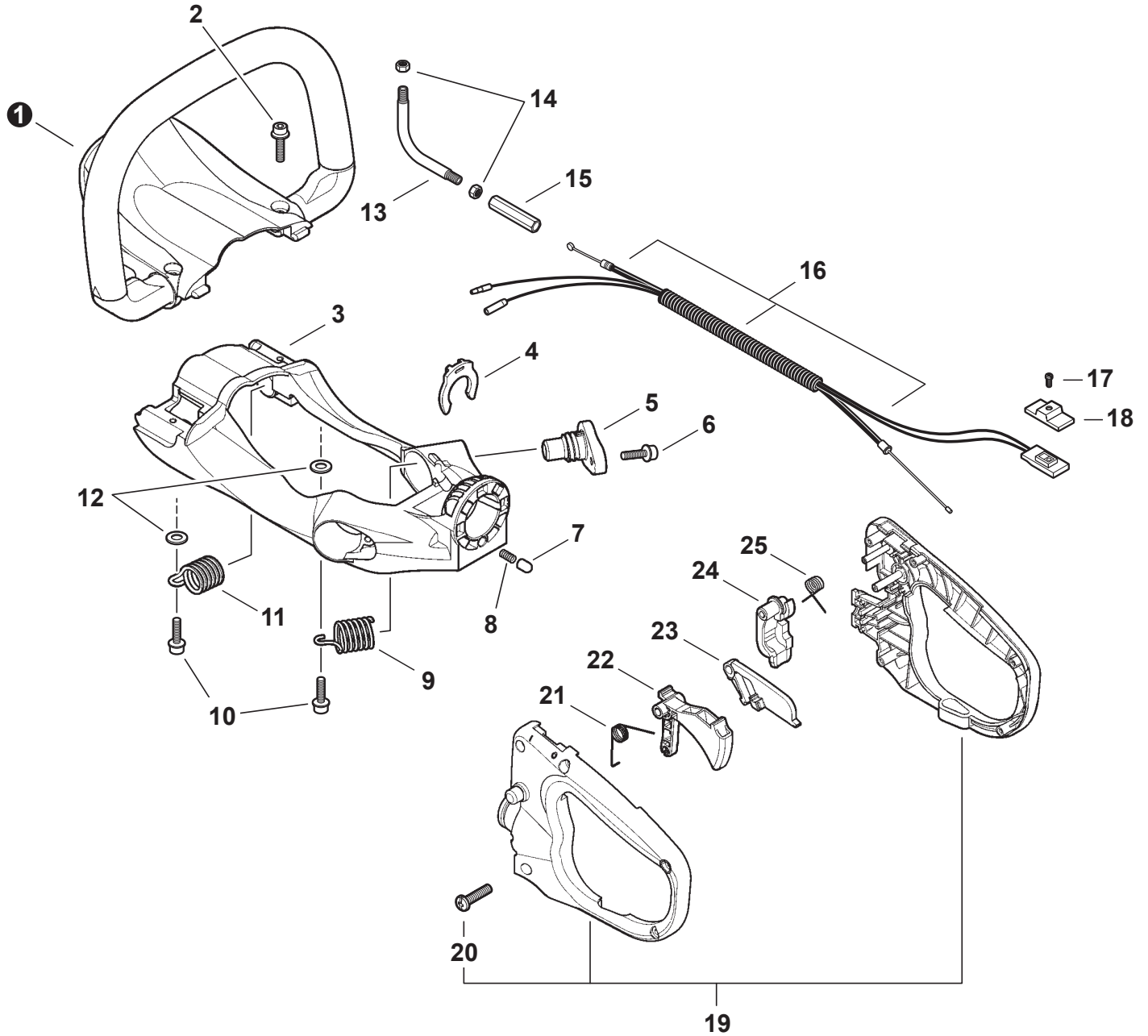
| NO. | PART NUMBER | QTY. | DESCRIPTION                    | DESCRIPCIÓN                         |
|-----|-------------|------|--------------------------------|-------------------------------------|
| 1   | P021040430  | 1    | CAP ASSY                       | CONJUNTO DE TAPA                    |
| 2   | V107000150  | 1    | +GASKET, CAP                   | +JUNTA, TAPA                        |
| 3   | A365000060  | 1    | +CONNECTOR, CAP                | +CONECTOR, TAPA                     |
| 4   | 90016205020 | 3    | SCREW - 5×20                   | TORNILLO - 5×20                     |
| 5   | 90060300005 | 3    | WASHER - 5                     | ARANDELA - 5                        |
| 6   | A350000810  | 1    | TANK, FUEL                     | TANQUE, COMBUSTIBLE                 |
| 7   | V353000231  | 3    | COLLAR                         | ESPACIADOR                          |
| 8   | 90136BP     | 1    | RePower FUEL SYSTEM KIT        | KIT DEL SISTEMA DE CARBURANTE       |
| 9   | A356000031  | 1    | +VENT, FUEL TANK               | +RESPIRADERO, TANQUE DE COMBUSTIBLE |
| 10  | V490001240  | 1    | +CLIP - 6                      | +GANCHO - 6                         |
| 11  | V471003680  | 1    | +PIPE - 3×6×50 -- BLACK        | +TUBO - 3×6×50 -- NEGRO             |
| 12  | 13201040830 | 1    | +PIPE - 3×6×75 -- CLEAR        | +TUBO - 3×6×75 -- TRANSPARENTE      |
| 13  | V471003670  | 1    | +PIPE, UPPER - 3×5×61 -- BLACK | +PIPE, UPPER - 3×5×61 -- BLACK      |
| 14  | 13211555930 | 1    | +GROMMET                       | +ANILLO DE GOMA                     |
| 15  | V186000520  | 1    | +CONNECTOR, FUEL PIPE          | +CONECTOR, TUBO DE COMBUSTIBLE      |
| 16  | V491001230  | 2    | +CLIP - 6.5                    | +GANCHO - 6.5                       |
| 17  | V471001180  | 1    | +PIPE - 3×6×35 -- BLACK        | +TUBO - 3×6×35 -- NEGRO             |
| 18  | V186000510  | 1    | +CONNECTOR, PIPE               | +CONECTOR, TUBO                     |
| 19  | 43741119830 | 1    | +CLIP - 6.6                    | +GANCHO - 6.6                       |
| 20  | 13201212361 | 1    | +PIPE, FUEL - CORRUGATED       | +TUBO, COMBUSTIBLE - CORRUGADO      |
| 21  | 13120507320 | 1    | +FILTER, FUEL                  | +FILTRO DE COMBUSTIBLE              |
| 22  | 90008       | 1    | RePower FILTER KIT             | JUEGO DE FILTRO - REPOWER           |
| 23  | 90152       | 1    | RePower TUNE-UP KIT            | KIT DE PUESTA A PUNTO               |
| 24  | 90248       | 1    | Repower CAP AND VENT KIT       | KIT DE TAPA Y RESPIRADERO           |



| NO. | PART NUMBER       | QTY. | DESCRIPTION        | DESCRIPCIÓN                 |
|-----|-------------------|------|--------------------|-----------------------------|
| 1   | 90016304016       | 4    | SCREW - 4x16       | TORNILLO - 4x16             |
| 2   | A570000140        | 1    | CASE, CLUTCH       | CARCARA, EMBRAGUE           |
| 3   | <b>A056000190</b> | 1    | <b>CLUTCH ASSY</b> | <b>CONJUNTO DE EMBRAGUE</b> |
| 4   | A552000080        | 1    | +HUB, CLUTCH       | +CUBO, EMBRAGUE             |
| 5   | A566000000        | 2    | +SPRING, CLUTCH    | +RESORTE, EMBRAGUE          |
| 6   | 17501744331       | 2    | +SHOE, CLUTCH      | +ZAPATA, EMBRAGUE           |
| 7   | 61035012360       | 1    | WASHER - 8         | ARANDELA - 8                |

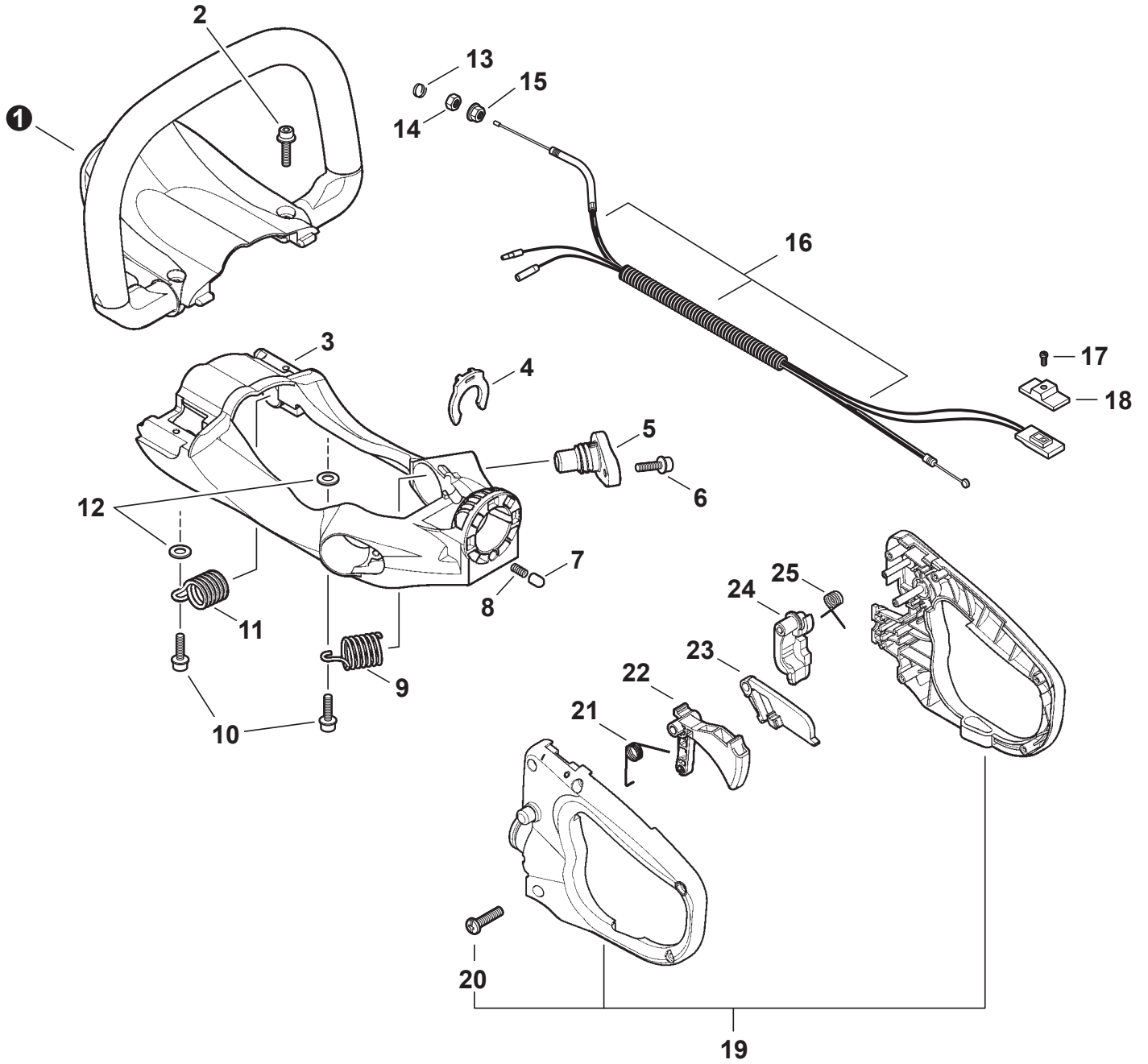


| NO. | PART NUMBER | QTY. | DESCRIPTION                  | DESCRIPCIÓN                        |
|-----|-------------|------|------------------------------|------------------------------------|
| 1   | X532000671  | 1    | LABEL - SPARK PLUG -- BPM8Y  | ETIQUETA - BUJÍA -- BPM8Y          |
| 2   | X532000720  | 1    | LABEL - SPARK PLUG -- BPMR8Y | ETIQUETA - BUJÍA -- BPMR8Y         |
| 3   | 89033252730 | 1    | LABEL - CHOKE                | ETIQUETA - AHOGADOR                |
| 4   | X506000110  | 1    | LABEL - CHOKE                | ETIQUETA - AHOGADOR                |
| 5   | X503008290  | 1    | LABEL - MODEL -- HC-185      | ETIQUETA - MODELO -- HC-185        |
| 6   | X532000800  | 1    | LABEL - CAUTION -- OPERATION | ETIQUETA - PRECAUCIÓN -- OPERACIÓN |
| 7   | X502000330  | 1    | LABEL - ECHO                 | ETIQUETA - ECHO                    |
| 8   | X505002310  | 1    | LABEL - HOT SURFACE          | ETIQUETA - SUPERFICIE CALIENTE     |
| 9   | X505000290  | 1    | LABEL - CAUTION              | ETIQUETA - PRECAUCIÓN              |
| 10  | X505002610  | 1    | LABEL - CAUTION              | ETIQUETA - PRECAUCIÓN              |



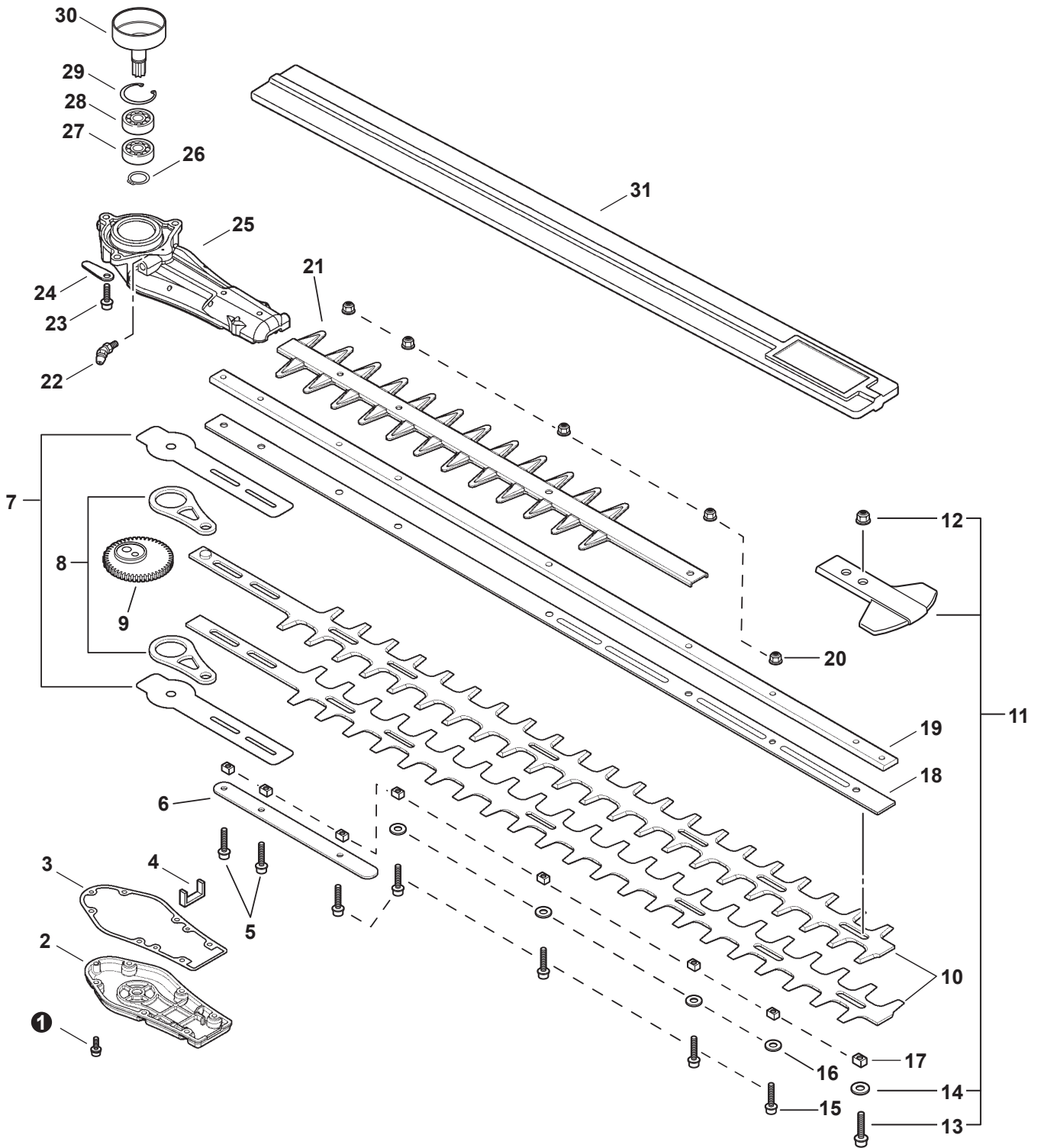


| NO.       | PART NUMBER       | QTY.     | DESCRIPTION               | DESCRIPCIÓN                    |
|-----------|-------------------|----------|---------------------------|--------------------------------|
| 1         | C040000030        | 1        | HANDLE - FRONT            | MANGO - DELANTERO              |
| 2         | 9114705020        | 2        | SCREW - 5×20              | TORNILLO - 5×20                |
| 3         | C600000860        | 1        | FRAME                     | ARMAZÓN                        |
| 4         | C423000280        | 1        | CLIP                      | GANCHO                         |
| 5         | V456000040        | 2        | HOLDER, SPRING            | SOPORTE, RESORTE               |
| 6         | 9114705020        | 2        | SCREW - 5×20              | TORNILLO - 5×20                |
| 7         | 60561113360       | 1        | PIN                       | PASADOR                        |
| 8         | V450000630        | 1        | SPRING                    | RESORTE                        |
| 9         | V450000610        | 2        | SPRING                    | RESORTE                        |
| 10        | 90010605016       | 4        | SCREW - 5×16              | TORNILLO - 5×16                |
| 11        | V450000620        | 2        | SPRING                    | RESORTE                        |
| 12        | 90060300005       | 4        | WASHER - 5                | ARANDELA - 5                   |
| 13        | C482000050        | 1        | TUBE, THROTTLE CABLE      | TUBO, CABLE DEL ACELERADOR     |
| 14        | 9200307000        | 2        | NUT                       | TUERCA                         |
| 15        | C482000060        | 1        | CONNECTOR, THROTTLE CABLE | CONECTOR, CABLE DEL ACELERADOR |
| 16        | V043000140        | 1        | CONTROL CABLE ASSY        | CONJUNTO DE CABLE DE CONTROL   |
| 17        | 90022003010       | 1        | SCREW - 3×10              | TORNILLO - 3×10                |
| 18        | A444000020        | 1        | KNOB, SWITCH - ORANGE     | PERILLA, INTERRUPTOR - NARANJA |
| <b>19</b> | <b>P021013050</b> | <b>1</b> | <b>REAR HANDLE SET</b>    | <b>JUEGO DE MANGO TRASERO</b>  |
| 20        | 90025604016       | 5        | +SCREW - 4×16             | +TORNILLO - 4×16               |
| 21        | V452000300        | 1        | SPRING                    | RESORTE                        |
| 22        | C450000250        | 1        | TRIGGER, THROTTLE         | GATILLO, ACELERADOR            |
| 23        | C460000090        | 1        | LOCKOUT, THROTTLE         | TRABADO, ACELERADOR            |
| 24        | C427000020        | 1        | LOCK, HANDLE              | TRABA, MANGO                   |
| 25        | V452000310        | 1        | SPRING, HANDLE LOCK       | RESORTE, TRABADO DE MANGO      |





| NO.       | PART NUMBER       | QTY.     | DESCRIPTION            | DESCRIPCIÓN                    |
|-----------|-------------------|----------|------------------------|--------------------------------|
| 1         | C040000030        | 1        | HANDLE - FRONT         | MANGO - DELANTERO              |
| 2         | 9114705020        | 2        | SCREW - 5×20           | TORNILLO - 5×20                |
| 3         | C600000860        | 1        | FRAME                  | ARMAZÓN                        |
| 4         | C423000280        | 1        | CLIP                   | GANCHO                         |
| 5         | V456000040        | 2        | HOLDER, SPRING         | SOPORTE, RESORTE               |
| 6         | 9114705020        | 2        | SCREW - 5×20           | TORNILLO - 5×20                |
| 7         | 60561113360       | 1        | PIN                    | PASADOR                        |
| 8         | V450000630        | 1        | SPRING                 | RESORTE                        |
| 9         | V450000610        | 2        | SPRING                 | RESORTE                        |
| 10        | 90010605016       | 4        | SCREW - 5×16           | TORNILLO - 5×16                |
| 11        | V450000620        | 2        | SPRING                 | RESORTE                        |
| 12        | 90060300005       | 4        | WASHER - 5             | ARANDELA - 5                   |
| 13        | V490001100        | 1        | CLIP                   | GANCHO                         |
| 14        | 90050200006       | 1        | NUT - 6                | TUERCA - 6                     |
| 15        | 90051800006       | 1        | NUT - 6 -- FLANGE      | TUERCA, DE BRIDA - 6           |
| 16        | V043000220        | 1        | CONTROL CABLE ASSY     | CONJUNTO DE CABLE DE CONTROL   |
| 17        | 9154503010        | 1        | SCREW - 3×10           | TORNILLO - 3×10                |
| 18        | A444000020        | 1        | KNOB, SWITCH - ORANGE  | PERILLA, INTERRUPTOR - NARANJA |
| <b>19</b> | <b>P021013050</b> | <b>1</b> | <b>REAR HANDLE SET</b> | <b>JUEGO DE MANGO TRASERO</b>  |
| 20        | 90025604016       | 5        | +SCREW - 4×16          | +TORNILLO - 4×16               |
| 21        | V452000300        | 1        | SPRING                 | RESORTE                        |
| 22        | C450000250        | 1        | TRIGGER, THROTTLE      | GATILLO, ACELERADOR            |
| 23        | C460000090        | 1        | LOCKOUT, THROTTLE      | TRABADO, ACELERADOR            |
| 24        | C427000020        | 1        | LOCK, HANDLE           | TRABA, MANGO                   |
| 25        | V452000310        | 1        | SPRING, HANDLE LOCK    | RESORTE, TRABADO DE MANGO      |







| NO. | PART NUMBER        | QTY. | DESCRIPTION               | DESCRIPCIÓN                         |
|-----|--------------------|------|---------------------------|-------------------------------------|
| 1   | 90016304016        | 6    | SCREW - 4×16              | TORNILLO - 4×16                     |
| 2   | C539000020         | 1    | LID, GEAR CASE            | TAPA, CAJA DE ENGRANAJES            |
| 3   | V110000060         | 1    | GASKET, GEAR CASE         | JUNTA, CAJA DE ENGRANAJES           |
| 4   | V541000140         | 1    | SEAL                      | SELLO                               |
| 5   | 90010605025        | 2    | SCREW - 5×25              | TORNILLO - 5×25                     |
| 6   | V150001800         | 1    | SUPPORT, BLADE            | SOPORTE, CUCHILLA                   |
| 7   | V150001810         | 2    | PLATE, WEAR               | PLACA, DE DESGASTE                  |
| 8   | C532000170         | 2    | ROD, CONNECTING           | BIELA                               |
| 9   | V650000300         | 1    | GEAR, SPUR                | ENGRANAJE RECTO                     |
| 10  | X411000630         | 2    | BLADE, TRIMMER            | CUCHILLA, RECORTADORA               |
| 11  | <b>99988802030</b> | 1    | <b>TIP GUARD KIT</b>      | <b>KIT DE PROTECTOR DE LA PUNTA</b> |
| 12  | 9210805000         | 1    | +LOCKNUT - 5              | +CONTRATUERCA - 5                   |
| 13  | 9110705022         | 1    | +SCREW - 5×22             | +TORNILLO - 5×25                    |
| 14  | 17721421860        | 1    | +WASHER - 6               | +ARANDELA - 6                       |
| 15  | 9110705022         | 5    | SCREW - 5×22              | TORNILLO - 5×25                     |
| 16  | 17721421860        | 4    | WASHER - 6                | ARANDELA - 6                        |
| 17  | V353000250         | 8    | GUIDE, BLADE              | GUÍA, CUCHILLA                      |
| 18  | X425000400         | 1    | SUPPORT, BLADE            | SOPORTE, CUCHILLA                   |
| 19  | X425000390         | 1    | SUPPORT, BLADE            | SOPORTE, CUCHILLA                   |
| 20  | 9210805000         | 5    | LOCKNUT - 5               | CONTRATUERCA - 5                    |
| 21  | X431000020         | 1    | GUARD                     | PROTECTOR                           |
| 22  | 9498406075         | 1    | FITTING, GREASE           | GRASERA                             |
| 23  | 9110706020         | 3    | SCREW - 6×20              | TORNILLO - 6×20                     |
| 24  | C628000030         | 1    | PLATE                     | PLACA                               |
| 25  | P021013070         | 1    | CASE, GEAR                | CARCASA, ENGRANAJES                 |
| 26  | 90070100014        | 1    | RING, RETAINING - 14      | ANILLO, RETÉN - 14                  |
| 27  | 90081036202        | 1    | BEARING, BALL - 6202      | COJINETE DE BOLAS - 6202DDU         |
| 28  | 90081206202        | 1    | BEARING, BALL - 6202      | COJINETE DE BOLAS - 6202DDU         |
| 29  | 90070200035        | 1    | RING, RETAINING - 35      | ANILLO, RETÉN - 35                  |
| 30  | A556000470         | 1    | DRUM, CLUTCH              | TAMBOR, EMBRAGUE                    |
| 31  | X495000510         | 1    | COVER, BLADE - 24" (60cm) | CUBIERTA, CUCHILLA - 24" (60cm)     |

| NO. | PART NUMBER       | QTY.     | DESCRIPTION                     | DESCRIPCIÓN                          |
|-----|-------------------|----------|---------------------------------|--------------------------------------|
|     | <b>90008</b>      | <b>1</b> | <b>RePower FILTER KIT</b>       | <b>JUEGO DE FILTRO - REPOWER</b>     |
|     | A226001410        | 1        | +FILTER, AIR - DOUBLE LAYER     | +FILTRO DE AIRE - CAPA DOBLE         |
|     | 13120507320       | 1        | +FILTER, FUEL                   | +FILTRO DE COMBUSTIBLE               |
|     | <b>90010</b>      | <b>1</b> | <b>Repower CAP AND VENT KIT</b> | <b>KIT DE TAPA Y RESPIRADERO</b>     |
|     | -----             | 1        | +CAP                            | +TAPA                                |
|     | 13101655830       | 1        | +GASKET, CAP                    | +JUNTA, TAPA                         |
|     | A356000031        | 1        | +VENT, FUEL TANK                | +RESPIRADERO, TANQUE DE COMBUSTIBLE  |
|     | <b>90248</b>      | <b>1</b> | <b>Repower CAP AND VENT KIT</b> | <b>KIT DE TAPA Y RESPIRADERO</b>     |
|     | -----             | 1        | +CAP                            | +TAPA                                |
|     | V107000150        | 1        | +GASKET, CAP                    | +JUNTA, TAPA                         |
|     | A356000031        | 1        | +VENT, FUEL TANK                | +RESPIRADERO, TANQUE DE COMBUSTIBLE  |
|     | <b>90152</b>      | <b>1</b> | <b>RePower TUNE-UP KIT</b>      | <b>KIT DE PUESTA A PUNTO</b>         |
|     | A226001410        | 1        | +FILTER, AIR                    | +FILTRO DE AIRE                      |
|     | 13120507320       | 1        | +FILTER, FUEL                   | +FILTRO DE COMBUSTIBLE               |
|     | A425000000        | 1        | +SPARK PLUG -- BPMR8Y           | +BUJÍA -- BPMR8Y                     |
|     | <b>90136BP</b>    | <b>1</b> | <b>RePower FUEL SYSTEM KIT</b>  | <b>KIT DEL SISTEMA DE CARBURANTE</b> |
|     | V490001240        | 1        | +CLIP - 6                       | +GANCHO - 6                          |
|     | V490001230        | 2        | +CLIP - 6.5                     | +GANCHO - 6.5                        |
|     | 4374119830        | 1        | +CLIP - 6.6                     | +GANCHO - 6.6                        |
|     | V186000520        | 1        | +CONNECTOR, FUEL PIPE           | +CONECTOR, TUBO DE COMBUSTIBLE       |
|     | 13120507320       | 1        | +FILTER, FUEL                   | +FILTRO DE COMBUSTIBLE               |
|     | V107000150        | 1        | +GASKET, CAP                    | +JUNTA, TAPA                         |
|     | 13211555930       | 1        | +GROMMET                        | +ANILLO DE GOMA                      |
|     | V471003670        | 1        | +PIPE - 3×5×61 -- BLACK         | +TUBO - 3×5×61 -- NEGRO              |
|     | V471001180        | 1        | +PIPE - 3×6×35 -- BLACK         | +TUBO - 3×6×35 -- NEGRO              |
|     | V741003680        | 1        | +PIPE - 3×6×50 -- BLACK         | +TUBO - 3×6×50 -- NEGRO              |
|     | 13201040830       | 1        | +PIPE - 3×6×75 -- CLEAR         | +TUBO - 3×6×75 -- TRANSPARENTE       |
|     | 13201212361       | 1        | +PIPE, FUEL - CORRUGATED        | +TUBO, COMBUSTIBLE - CORRUGADO       |
|     | A356000031        | 1        | +VENT ASY                       | +CONJUNTO DE RESPIRADERO             |
|     | <b>P021013501</b> | <b>1</b> | <b>GASKET KIT</b>               | <b>KIT DE JUNTAS</b>                 |
|     | V104000360        | 1        | +GASKET, EXHAUST                | +JUNTA, ESCAPE                       |
|     | V100000160        | 1        | +GASKET, CYLINDER               | +JUNTA, CILINDRO                     |
|     | V104000850        | 1        | +SHIELD, EXHAUST                | + PROTECTOR, ESCAPE                  |
|     | V103000410        | 1        | +GASKET, INTAKE                 | +JUNTA, ADMISIÓN                     |
|     | V103000180        | 1        | +SHIELD, INTAKE                 | + PROTECTOR, ADMISIÓN                |