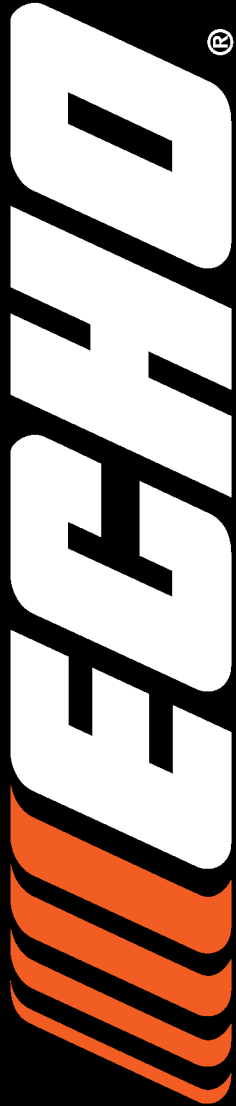


# PE-230 Edger

Recortadora de Bordes  
22.8cc

S/N: S68311001001 - S68311001128



**Optional Attachments & Accessories  
Accessories**

Crack Chaser Wire Wheel 99944206000

**Edging Blades**

8" Edger Blade -- 2 Pack 69601552632  
8" Premium Edger Blade -- 2 Pack 69601553630  
Edger Blade - 8" -- 50 Pack/Bulk 99944201000  
Premium Edger Blade - 8" -- 50 Pack/Bulk 99944205000

**Accesorios & Accesorios Opcionales  
Accesorios**

Disco de Alambre para Grietas

**Cuchillas de Bordeado**

Cuchilla de 8" - Paquete de 2  
Cuchilla Premium de 8" - Paquete de 2  
Cuchilla - 8" - Paquete de 50/a granel  
Cuchilla Premium - 8" - Paquete de 50

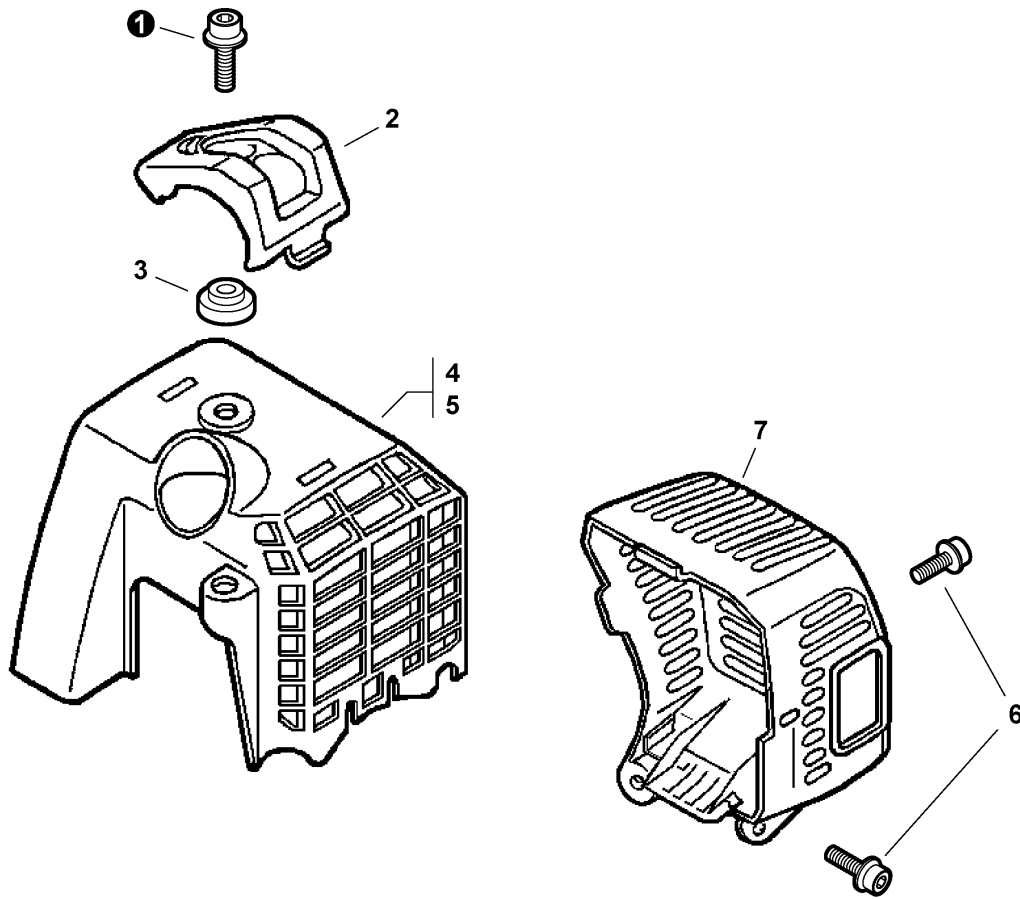
**TABLE OF CONTENTS - CONTENIDO**

*Click Any Diagram Description Below To View That Diagram*  
*Chasque cualquier descripción del diagrama abajo para ver ese diagrama*

|   |           |
|---|-----------|
| <b>Engine Cover, Exhaust Cover</b> .....              | <b>3</b>  |
| Cubierta del Motor, cubierta del Escape               |           |
| <b>Intake</b> .....                                   | <b>4</b>  |
| Admisión  |           |
| <b>Carburetor -- RB-K70A</b> .....                    | <b>5</b>  |
| Carburador -- RB-K70A                                 |           |
| <b>Exhaust S/N: S68311001001 - S68311001096</b> ..... | <b>7</b>  |
| Escape N/S: S68311001001 - S68311001096               |           |
| <b>Exhaust S/N: S68311001097 - S68311999999</b> ..... | <b>8</b>  |
| Escape N/S: S68311001097 - S68311999999               |           |
| <b>Fuel System</b> .....                              | <b>9</b>  |
| Sistema de Combustible                                |           |
| <b>Fan Case, Clutch -- GRAY MODELS</b> .....          | <b>10</b> |
| Carcasa del Ventilador, Embrague -- MODELOS GRISES    |           |
| <b>Starter</b> .....                                  | <b>11</b> |
| Arrancador  |           |
| <b>Ignition</b> .....                                 | <b>12</b> |
| Ignición  |           |
| <b>Engine, Short Block -- SB1061</b> .....            | <b>13</b> |
| Motor, bloque corto -- SB1061                         |           |
| <b>Edging Assembly -- Metal</b> .....                 | <b>14</b> |
| Conjunto de Bordeado -- Metal                         |           |
| <b>Gear Case</b> .....                                | <b>16</b> |
| Caja de Angranajes                                    |           |
| <b>Loop Handle</b> .....                              | <b>17</b> |
| Mango de lazo   |           |
| <b>Control Handle, Control Cable Assembly</b> .....   | <b>18</b> |
| Mango de Control, conjunto del cable de control       |           |
| <b>Main Pipe Assembly, Driveshaft</b> .....           | <b>19</b> |
| Conjunto del Tubo Principal, Eje de Mando             |           |
| <b>Labels</b> .....                                   | <b>20</b> |
| Etiquetas   |           |
| <b>Tools</b> .....                                    | <b>21</b> |
| Herramientas  |           |
| <b>P021003900 Gasket Kit</b> .....                    | <b>22</b> |
| P021003900 Kit de Juntas                              |           |
| <b>90008 RePower FILTER KIT</b> .....                 | <b>23</b> |
| 90008 Kit de Filtro                                   |           |
| <b>90010 RePower CAP AND VENT KIT</b> .....           | <b>24</b> |
| 90010 Kit del Caquillo y del Respiradero              |           |
| <b>90104 RePower FUEL SYSTEM KIT</b> .....            | <b>25</b> |
| 90104 Kit del Sistema de Carburante                   |           |
| <b>90152 RePower TUNE-UP KIT</b> .....                | <b>26</b> |
| 90152 Kit de Puesta a Punto                           |           |
| <b>Part Number Index</b> .....                        | <b>27</b> |
| Índice Del Número De Parte                            |           |

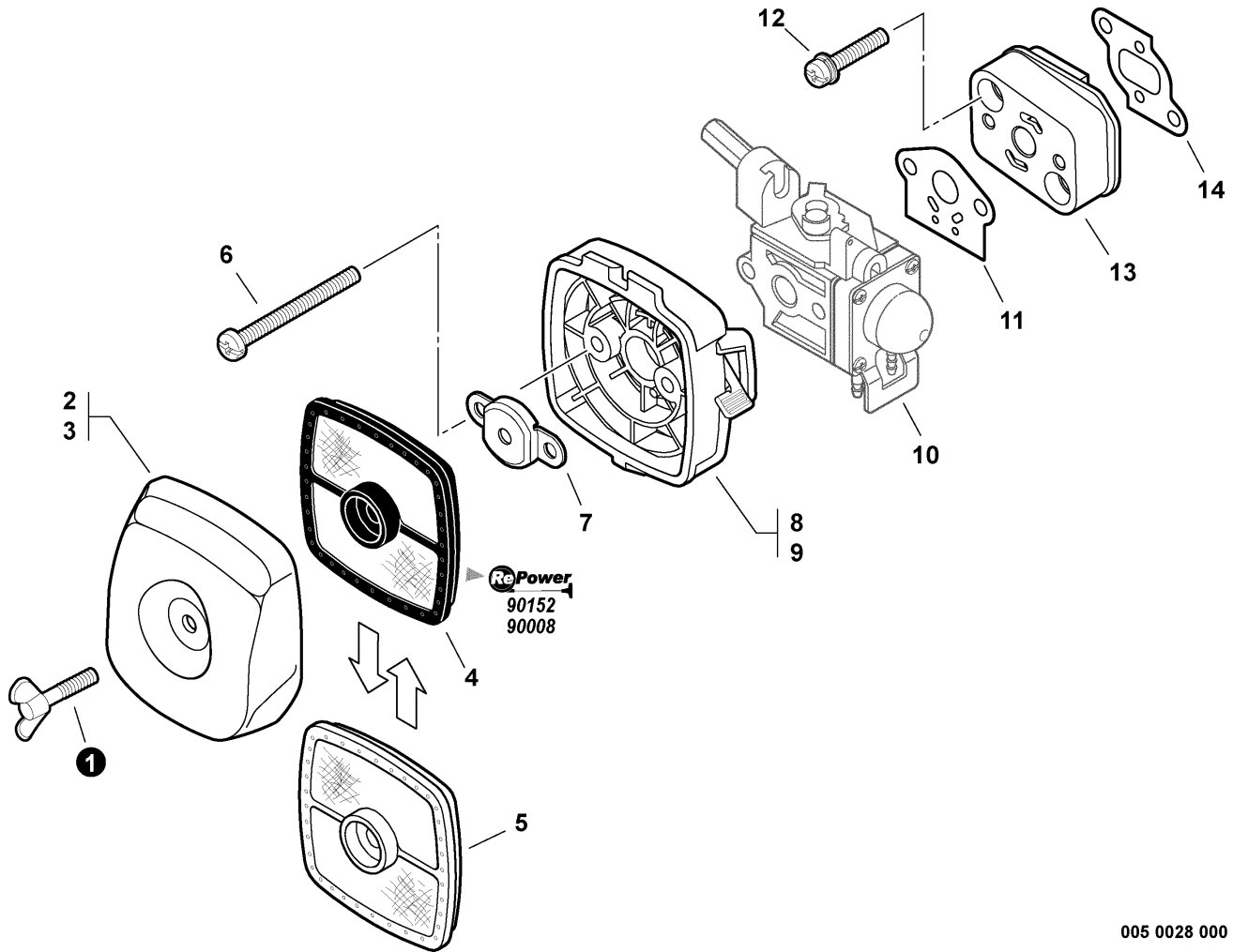


**NOTES -- NOTAS**



001 0016 000

|   |             |   |                        |                           |
|---|-------------|---|------------------------|---------------------------|
| 1 | 9111005016  | 1 | SCREW - 5X16           | TORNILLO - 5X16           |
| 2 | A162000000  | 1 | GUARD, TOP             | PROTECTOR, SUPERIOR       |
| 3 | V353000020  | 1 | COLLAR - 5             | ESPACIADOR - 5            |
| 4 | A160000040  | 1 | COVER, ENGINE - GRAY   | CUBIERTA, MOTOR - GRIS    |
| 5 | A160000060  | 1 | COVER, ENGINE - ORANGE | CUBIERTA, MOTOR - NARANJA |
| 6 | 90010605012 | 2 | SCREW - 5X12           | TORNILLO - 5X12           |
| 7 | A320000003  | 1 | COVER, EXHAUST         | CUBIERTA, ESCAPE          |

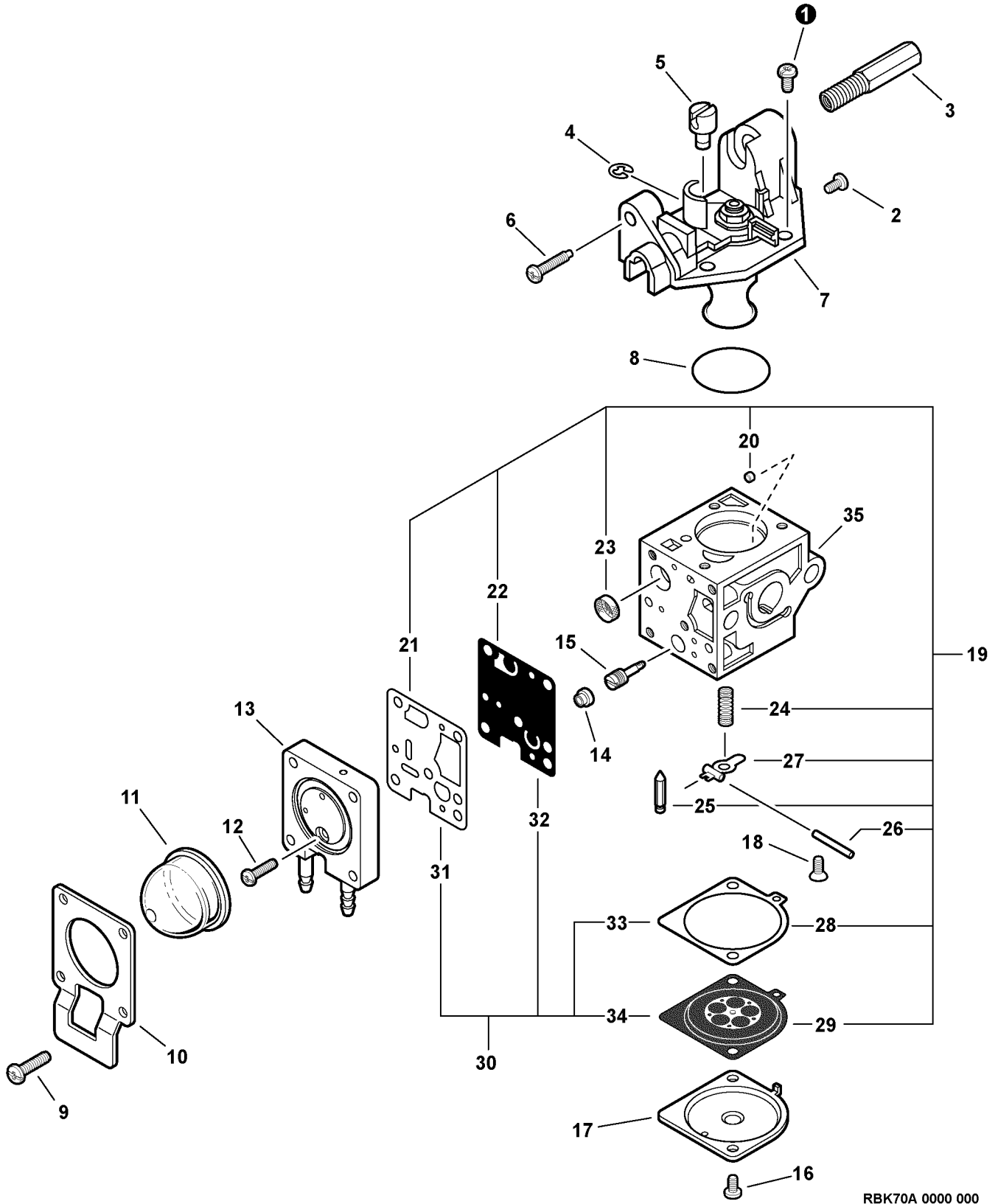


005 0028 000

|    |             |   |   |  |
|----|-------------|---|---|--|
| ①  | 21041752730 | 1 | THUMBSCREW                                | TORNILLO, DE OREJETAS                      |
| 2  | 13031306563 | 1 | COVER, AIR CLEANER - GRAY                 | CUBIERTA, FILTRO DE AIRE - GRIS            |
| 3  | 13031305863 | 1 | COVER, AIR CLEANER - BLACK                | CUBIERTA, FILTRO DE AIRE - NEGRO           |
| 4  | A226001410  | 1 | FILTER, AIR - DOUBLE LAYER <sup>(1)</sup> | FILTRO DE AIRE - CAPA DOBLE <sup>(1)</sup> |
| 5  | 13031054130 | 1 | FILTER, AIR - SINGLE LAYER <sup>(2)</sup> | FILTRO DE AIRE - CAPA ÚNICA <sup>(2)</sup> |
| 6  | 90024205060 | 2 | SCREW - 5X60                              | TORNILLO - 5X60                            |
| 7  | 12901152730 | 1 | PLATE, PREVENT                            | PLACA, PRE-RESPIRADERO                     |
| 8  | P021000991  | 1 | CASE, AIR CLEANER - GRAY                  | CARCASA, FILTRO DE AIRE - GRIS             |
| 9  | P021004480  | 1 | CASE, AIR CLEANER - BLACK                 | CARCASA, FILTRO DE AIRE - NEGRO            |
| 10 | -----       | 1 | CARBURETOR <sup>(3)</sup>                 | CARBURADOR <sup>(3)</sup>                  |
| 11 | 13001013410 | 1 | GASKET, INTAKE <sup>(4)</sup>             | JUNTA, ADMISIÓN <sup>(4)</sup>             |
| 12 | 90016205025 | 2 | SCREW - 5X25                              | TORNILLO - 5X25                            |
| 13 | 13001756431 | 1 | INSULATOR, INTAKE                         | AISLANTE, ADMISIÓN                         |
| 14 | 13001055930 | 1 | GASKET, INTAKE <sup>(4)</sup>             | JUNTA, ADMISIÓN <sup>(4)</sup>             |
| 15 | 90008       |   | RePower FILTER KIT                        | KIT DE FILTRACIÓN                          |
| 16 | 90152       |   | RePower TUNE-UP KIT                       | KIT DEL PUESTA A PUNTO                     |

(FOOTNOTE) 1 - Included In RePower KIT  
 2 - OPTIONAL  
 3 - See Carburetor Diagram For Details  
 4 - Included In GASKET KIT

(NOTA DEL PIE) 1 - Incluido en KIT de la RePower  
 2 - OPCIONAL  
 3 - Vea el diagrama del carburador para los detalles  
 4 - Incluido en KIT de la JUNTA

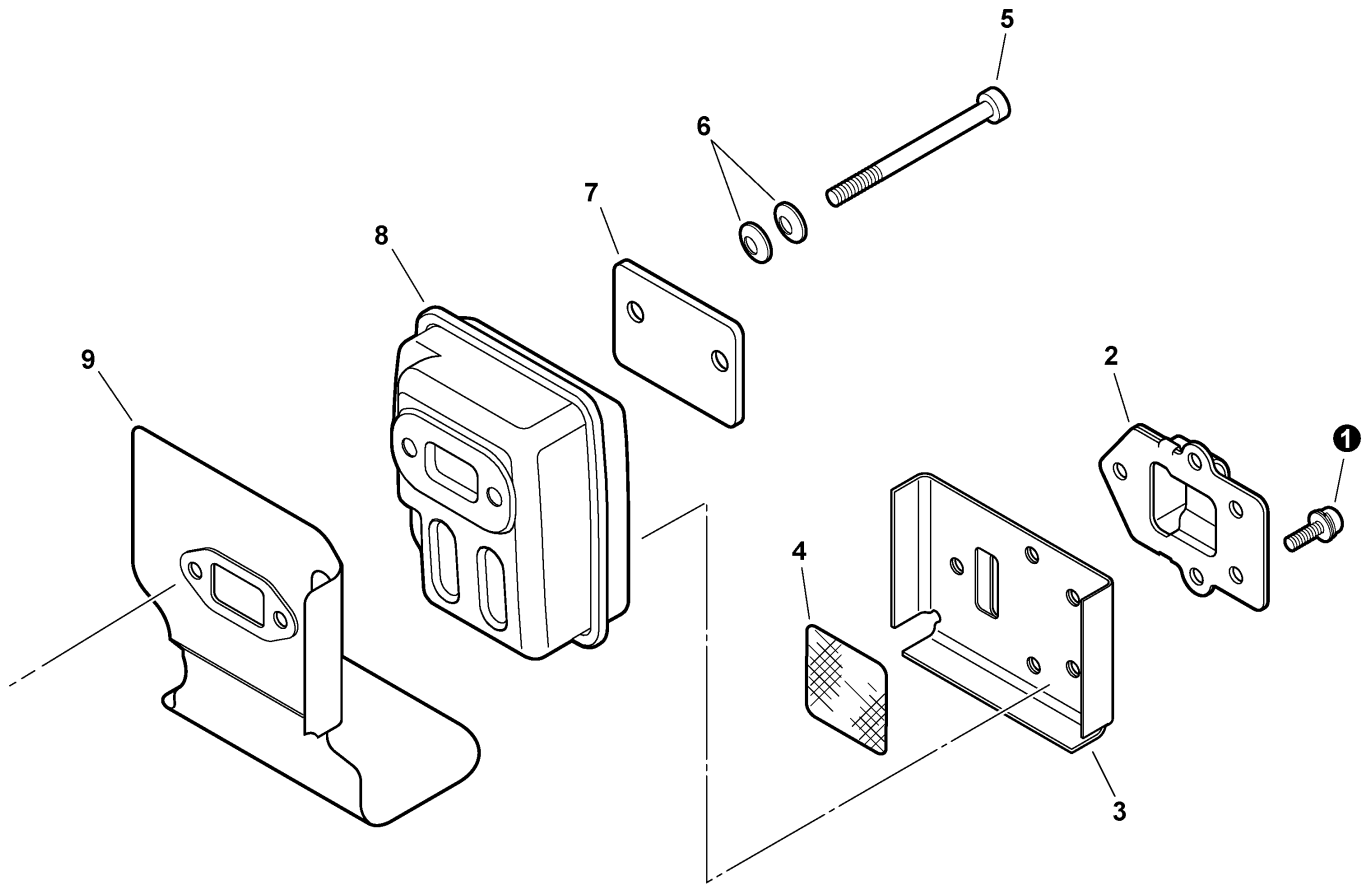


RBK70A 0000 000

|    |               |   |                                 |                                       |
|----|---------------|---|---------------------------------|---------------------------------------|
|    | A021000721    | 1 | CARBURETOR -- RB-K70A           | CARBURADOR -- RB-K70A                 |
| ①  | + 12534413931 | 3 | SCREW                           | TORNILLO                              |
| 2  | + 12534452130 | 1 | SCREW                           | TORNILLO                              |
| 3  | + P005001330  | 1 | SCREW, CABLE ADJUST             | TORNILLO, AJUSTE DEL CABLE            |
| 4  | + P005000190  | 1 | RING, RETAINING                 | ANILLO, RETÉN                         |
| 5  | + P005002090  | 1 | SWIVEL                          | PIVOTE                                |
| 6  | + P005000100  | 1 | SCREW, IDLE ADJUST              | TORNILLO, AJUSTE DE RALENTÍ           |
| 7  | + P005001620  | 1 | ROTOR COVER ASY                 | CONJUNTO DE CUBIERTA DEL ROTOR        |
| 8  | + P005000280  | 1 | O-RING                          | ANILLO O                              |
| 9  | + 12531061830 | 4 | SCREW, PURGE BULB RETAINER      | TORNILLO, RETÉN DEL BULBO DE LA PURGA |
| 10 | + P005000250  | 1 | RETAINER, PURGE BULB            | RETÉN, BULBO DE LA PURGA              |
| 11 | + 12538108660 | 1 | BULB, PURGE                     | BULBO, PURGA                          |
| 12 | + P005000270  | 1 | SCREW, PURGE BASE               | TORNILLO, BASE, PURGA                 |
| 13 | + P005000930  | 1 | BASE, PURGE                     | BASE, PURGA                           |
| 14 | + P005001270  | 1 | CAP, LIMITER                    | TAPA, LIMITADOR                       |
| 15 | + P005001260  | 1 | NEEDLE - HIGH SPEED             | AGUJA - ALTA VELOCIDAD                |
| 16 | + 12534452130 | 2 | SCREW                           | TORNILLO                              |
| 17 | + 12534252130 | 1 | COVER, METERING                 | CUBIERTA, DIAFRAGMA                   |
| 18 | + 12533942030 | 1 | SCREW, METERING LEVER PIN       | TORNILLO, PASADOR DE RETÉN            |
| 19 | + P005000950  | 1 | REPAIR KIT                      | KIT DE REPARACIÓN                     |
| 20 | + P005001000  | 1 | GUIDE, ROLLER                   | GUÍA, RODILLO                         |
| 21 | + -----       | 1 | GASKET, PUMP                    | JUNTA, BOMBA                          |
| 22 | + -----       | 1 | DIAPHRAGM, PUMP                 | DIAFRAGMA, BOMBA                      |
| 23 | + -----       | 1 | STRAINER                        | TAMIZ                                 |
| 24 | + -----       | 1 | SPRING, METERING LEVER          | RESORTE, PALANCA DE DOSIFICACIÓN      |
| 25 | + -----       | 1 | VALVE, INLET NEEDLE             | VÁLVULA DE AGUJA, ADMISIÓN            |
| 26 | + -----       | 1 | PIN, METERING LEVER             | PASADOR, PALANCA DE DOSIFICACIÓN      |
| 27 | + -----       | 1 | LEVER, METERING                 | PALANCA, DOSIFICACIÓN                 |
| 28 | + -----       | 1 | GASKET, DIAPHRAGM               | JUNTA, DIAFRAGMA                      |
| 29 | + -----       | 1 | DIAPHRAGM, METERING             | DIAFRAGMA, DOSIFICACIÓN               |
| 30 | + P005000550  | 1 | DIAPHRAGM/GASKET KIT            | KIT DE DIAFRAGMA/JUNTA                |
| 31 | + -----       | 1 | GASKET, PUMP                    | JUNTA, BOMBA                          |
| 33 | + -----       | 1 | GASKET, DIAPHRAGM               | JUNTA, DIAFRAGMA                      |
| 32 | + -----       | 1 | DIAPHRAGM, PUMP                 | DIAFRAGMA, BOMBA                      |
| 34 | + -----       | 1 | DIAPHRAGM, METERING             | DIAFRAGMA, DOSIFICACIÓN               |
| 35 | + -----       | 1 | BODY, CARBURETOR <sup>(1)</sup> | CUERPO, CARBURADOR <sup>(1)</sup>     |

(FOOTNOTE) 1 - NOT AVAILABLE SEPARATELY

(NOTA DEL PIE) 1 - NO DISPONIBLE POR SEPARADO



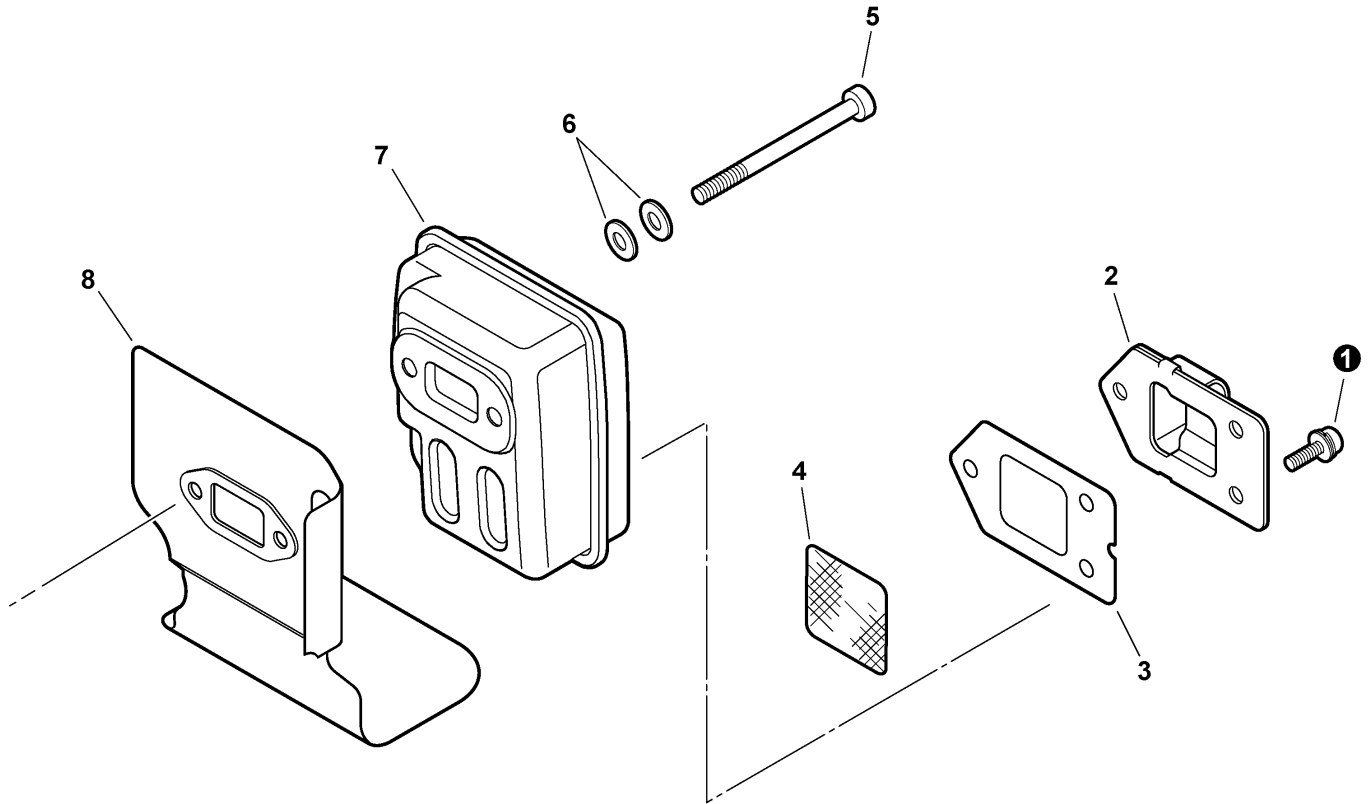
006 0019 000

|   |             |   |                                |                                  |
|---|-------------|---|--------------------------------|----------------------------------|
| ❶ | 9136704010  | 5 | SCREW - 4X10                   | TORNILLO - 4X10                  |
| 2 | A313000130  | 1 | GUIDE, EXHAUST                 | GUÍA, ESCAPE                     |
| 3 | V104000360  | 1 | GASKET, EXHAUST <sup>(1)</sup> | JUNTA, ESCAPE <sup>(1)</sup>     |
| 4 | 14586240630 | 1 | SCREEN, SPARK ARRESTER         | PANTALLA, SUPRESOR DE CHISPAS    |
| 5 | 90010505055 | 2 | SCREW - 5X55                   | TORNILLO - 5X55                  |
| 6 | V347000000  | 4 | WASHER - CONICAL               | ARANDELA - CÓNICA                |
| 7 | V150000371  | 1 | PLATE                          | PLACA                            |
| 8 | A300000141  | 1 | MUFFLER                        | SILENCIADOR                      |
| 9 | V104000061  | 1 | SHIELD, EXHAUST <sup>(1)</sup> | PROTECTOR, ESCAPE <sup>(1)</sup> |

(FOOTNOTE) 1 - Included In GASKET KIT

(NOTA DEL PIE) 1 - Incluido en KIT de la JUNTA



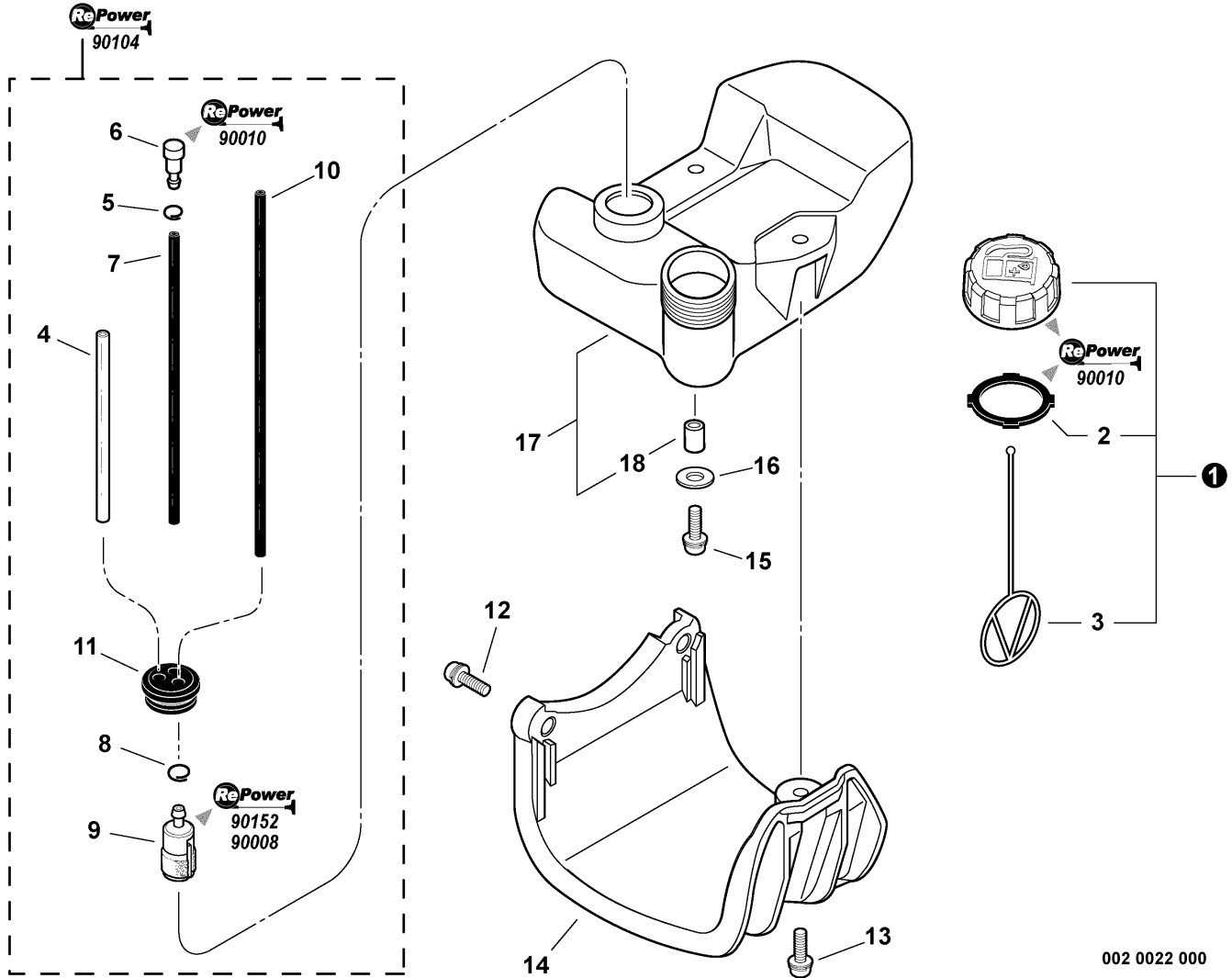


006 0018 00B

|   |             |   |                                |                                  |
|---|-------------|---|--------------------------------|----------------------------------|
| ❶ | 90024204010 | 3 | SCREW - 4X10                   | TORNILLO - 4X10                  |
| 2 | A313000350  | 1 | GUIDE, EXHAUST                 | GUÍA, ESCAPE                     |
| 3 | 14586642031 | 1 | GASKET, EXHAUST <sup>(1)</sup> | JUNTA, ESCAPE <sup>(1)</sup>     |
| 4 | 14586240630 | 1 | SCREEN, SPARK ARRESTER         | PANTALLA, SUPRESOR DE CHISPAS    |
| 5 | 90010505055 | 2 | SCREW - 5X55                   | TORNILLO - 5X55                  |
| 6 | 90060000005 | 2 | WASHER                         | ARANDELA - 5                     |
| 7 | 14580642030 | 1 | MUFFLER                        | CONJUNTO DE SILENCIADOR          |
| 8 | V104000061  | 1 | SHIELD, EXHAUST <sup>(1)</sup> | PROTECTOR, ESCAPE <sup>(1)</sup> |

(FOOTNOTE) 1 - Included In GASKET KIT

(NOTA DEL PIE) 1 - Incluido en KIT de la JUNTA

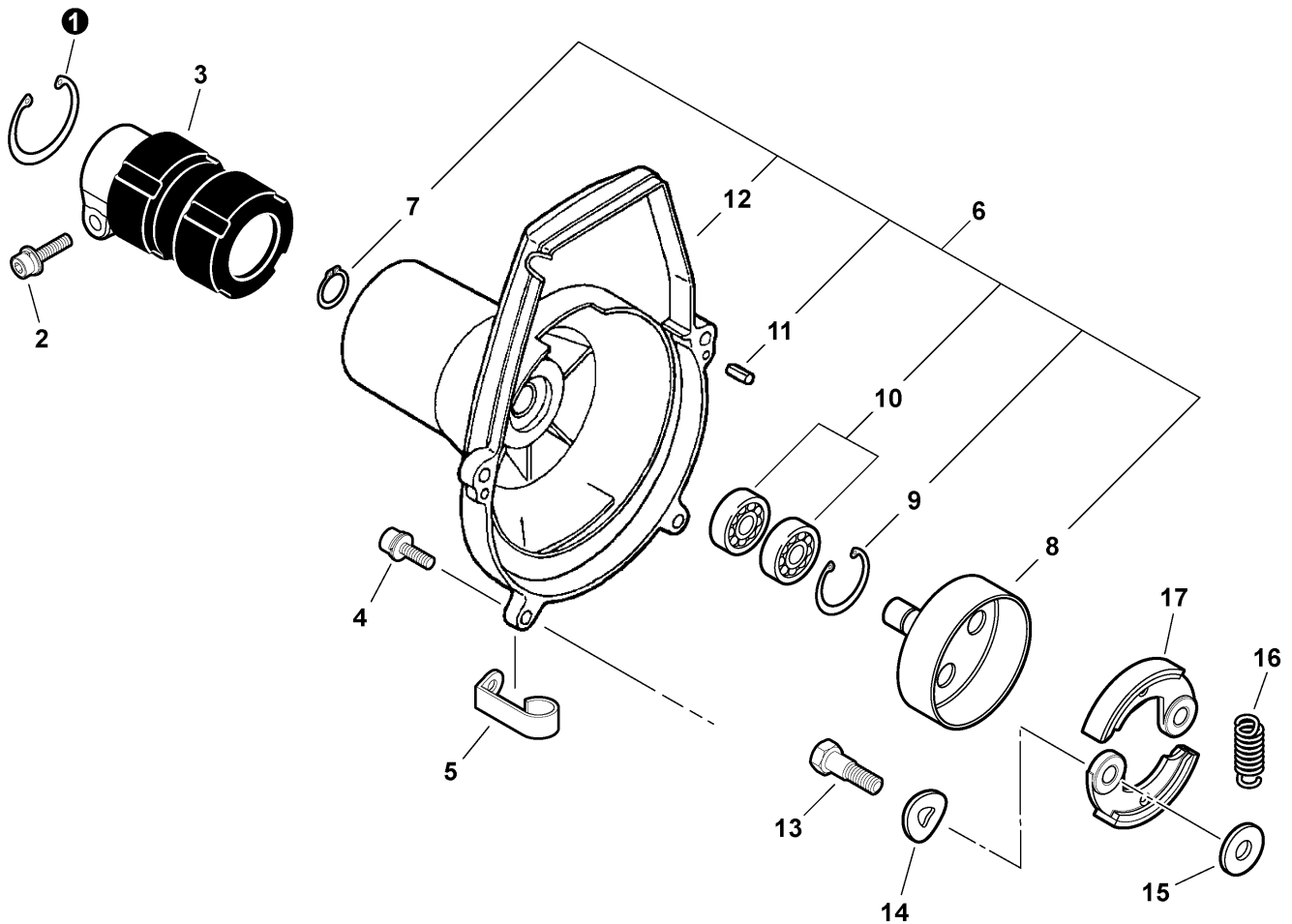


002 0022 000

|    |               |   |  |   |
|----|---------------|---|--|---|
| ①  | 13100455530   | 1 | CAP ASY - ORANGE <sup>(1)</sup>        | CONJUNTO DE TAPA - NARANJA <sup>(1)</sup>         |
| 2  | + 13101655830 | 1 | GASKET <sup>(1)</sup>                  | JUNTA <sup>(1)</sup>                              |
| 3  | + 13105156030 | 1 | CONNECTOR, CAP                         | CONECTOR, TAPA                                    |
| 4  | 13201256030   | 1 | PIPE - 3X6X80 -- CLEAR <sup>(2)</sup>  | TUBO - 3X6X80 -- TRANSPARENTE <sup>(2)</sup>      |
| 5  | 13201326630   | 1 | CLIP - 6.5                             | GANCHO  |
| 6  | A356000031    | 1 | VENT, FUEL TANK <sup>(1)</sup>         | RESPIRADERO, TANQUE DE COMBUSTIBLE <sup>(1)</sup> |
| 7  | V471000110    | 1 | PIPE - 3X6X115 -- BLACK <sup>(3)</sup> | TUBO - 3X6X115 -- NEGRO <sup>(3)</sup>            |
| 8  | 13201326630   | 1 | CLIP - 6.5                             | GANCHO  |
| 9  | 13120519831   | 1 | FILTER, FUEL <sup>(1)</sup>            | FILTRO DE COMBUSTIBLE <sup>(1)</sup>              |
| 10 | 13201052030   | 1 | PIPE - 3X6X170 -- BLACK <sup>(3)</sup> | TUBO - 3X6X170 -- NEGRO <sup>(3)</sup>            |
| 11 | 13211555930   | 1 | GROMMET                                | ANILLO DE GOMA                                    |
| 12 | 90016205022   | 2 | SCREW - 5X22                           | TORNILLO - 5X22                                   |
| 13 | 90024405020   | 1 | SCREW - 5X20                           | TORNILLO - 5X20                                   |
| 14 | 30511057733   | 1 | GUARD, FUEL TANK                       | PROTECTOR, TANQUE DE COMBUSTIBLE                  |
| 15 | 90016205016   | 2 | SCREW - 5X16                           | TORNILLO - 5X16                                   |
| 16 | 90060300005   | 2 | WASHER - 5.5X12                        | ARANDELA - 5                                      |
| 17 | A350000660    | 1 | FUEL TANK ASY                          | CONJUNTO DE TANQUE DE COMBUSTIBLE                 |
| 18 | + 13104528230 | 2 | SLEEVE                                 | ESPACIADOR  |
| 19 | 90104         |   | RePower FUEL SYSTEM KIT                | KIT DEL SISTEMA DE CARBURANTE                     |
| 20 | 90152         |   | RePower TUNE-UP KIT                    | KIT DEL PUESTA A PUNTO                            |
| 21 | 90008         |   | RePower FILTER KIT                     | KIT DE FILTRACIÓN                                 |
| 22 | 90010         |   | Repower CAP AND VENT KIT               | KIT REPOWER DE TAPA Y RESPIRADERO                 |

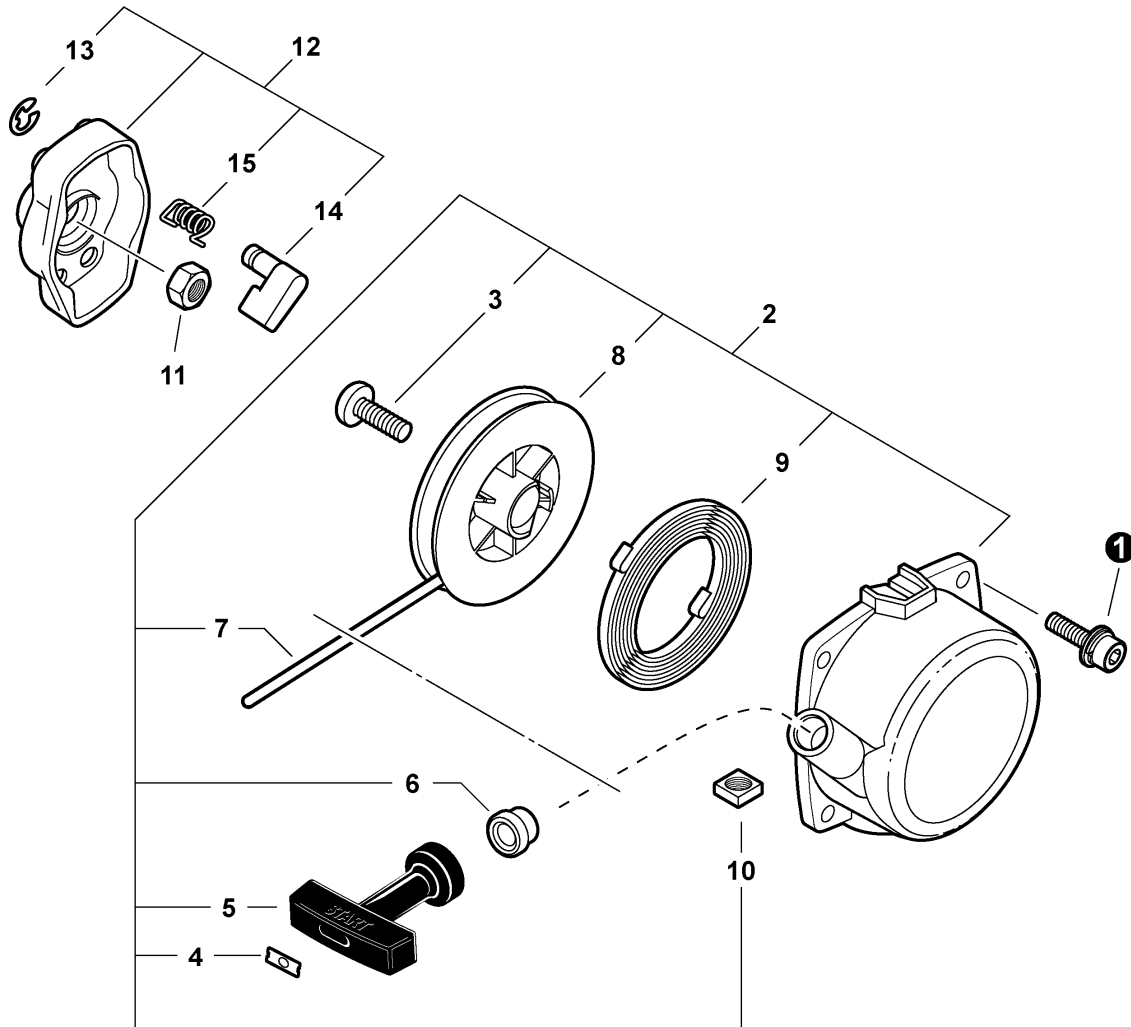
(FOOTNOTE) 1 - Included In RePower KIT  
 2 - RePower BULK OPTION: 90017  
 3 - RePower BULK OPTION: 90015

(NOTA DEL PIE) 1 - Incluido en KIT de la RePower  
 2 - OPCIÓN A GRANDEL de la RePower: 90017  
 3 - OPCIÓN A GRANDEL de la RePower: 90015



003 0009 000

|    |               |   |                      |   |
|----|---------------|---|----------------------|---|
| ①  | 90070200042   | 1 | RING, RETAINING - 42 | ANILLO, RETÉN - 42                        |
| 2  | 90016205028   | 1 | SCREW - 5X28         | TORNILLO - 5X28                           |
| 3  | 61092255931   | 1 | HOLDER, MAIN PIPE    | SOPORTE, TUBO PRINCIPAL                   |
| 4  | 90016205018   | 2 | SCREW - 5X18         | TORNILLO - 5X18                           |
| 5  | 17811106230   | 1 | CLAMP                | ABRAZADERA                                |
| 6  | P021001410    | 1 | FAN CASE ASY - GRAY  | CONJUNTO DE CARCASA DEL VENTILADOR - GRIS |
| 7  | + 90070100012 | 1 | RING, RETAINING - 12 | ANILLO, RETÉN - 12                        |
| 8  | + A556000030  | 1 | DRUM, CLUTCH         | TAMBOR, EMBRAGUE                          |
| 9  | + 90070200028 | 1 | RING, RETAINING - 28 | ANILLO, RETÉN - 28                        |
| 10 | + 90080796001 | 2 | BEARING, BALL - 6001 | COJINETE DE BOLAS - 6001                  |
| 11 | + V622000020  | 2 | PIN, LOCATING        | PASADOR DE POSICIONAMIENTO                |
| 12 | + A172000030  | 1 | CASE, FAN - GRAY     | CARCASA, VENTILADOR - GRIS                |
| 13 | 17504656030   | 2 | BOLT, CLUTCH         | PERNO, EMBRAGUE                           |
| 14 | 17504956030   | 2 | WASHER - SPRING      | ARANDELA - RESORTE                        |
| 15 | 17504805530   | 2 | WASHER - 6           | ARANDELA - 6                              |
| 16 | V451000090    | 1 | SPRING, CLUTCH       | RESORTE, EMBRAGUE                         |
| 17 | A553000010    | 2 | SHOE, CLUTCH         | ZAPATA, EMBRAGUE                          |

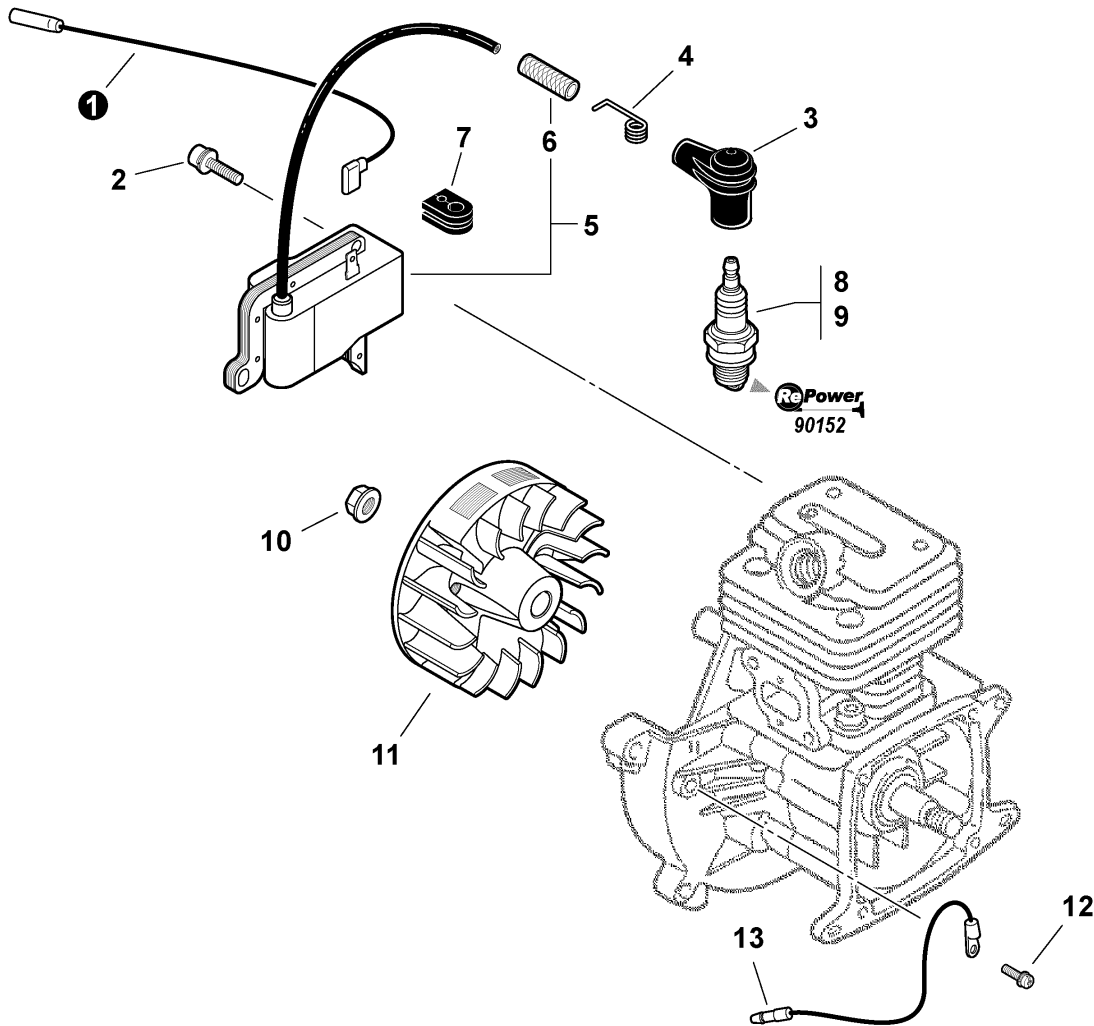


004 0027 000

|    |               |   |  |   |
|----|---------------|---|--|---|
| ①  | 9112604012    | 4 | SCREW - 4X12                           | PERNO - 4X12                                |
| 2  | 17720055931   | 1 | STARTER ASY                            | CONJUNTO DE ARRANCADOR                      |
| 3  | + 17723644330 | 1 | SCREW                                  | TORNILLO                                    |
| 4  | + 17724611120 | 1 | RETAINER, ROPE                         | RETÉN, CUERDA                               |
| 5  | + 17722827030 | 1 | GRIP, STARTER                          | AGARRE, ARRANCADOR                          |
| 6  | + 17722742030 | 1 | GUIDE, ROPE                            | GUÍA, CUERDA                                |
| 7  | + 17722603930 | 1 | ROPE, STARTER - 3.5X850 <sup>(1)</sup> | CUERDA, ARRANCADOR - 3.5X850 <sup>(1)</sup> |
| 8  | + 17721540630 | 1 | REEL, ROPE                             | CARRETE, CUERDA                             |
| 9  | + 17722040630 | 1 | SPRING, REWIND                         | RESORTE, REBOBINADO                         |
| 10 | + 90056500005 | 1 | NUT- 5 -- SQUARE                       | TUERCA - 5 -- CUADR                         |
| 11 | 90050200008   | 1 | NUT - 8                                | TUERCA - 8                                  |
| 12 | A052000030    | 1 | STARTER PAWL ASY                       | CONJUNTO DE TRINQUETE DEL ARRANCADOR        |
| 13 | + 90070000004 | 2 | RING, RETAINING - 4                    | ANILLO, RETÉN - 4                           |
| 14 | + 17721840630 | 2 | PAWL, STARTER                          | TRINQUETE, ARRANCADOR                       |
| 15 | + 17723440630 | 2 | SPRING, RETURN                         | RESORTE, RETORNO                            |

(FOOTNOTE) 1 - RePower BULK OPTION: 99944445000

(NOTA DEL PIE) 1 - OPCIÓN A GRANEL de la RePower: 99944445000

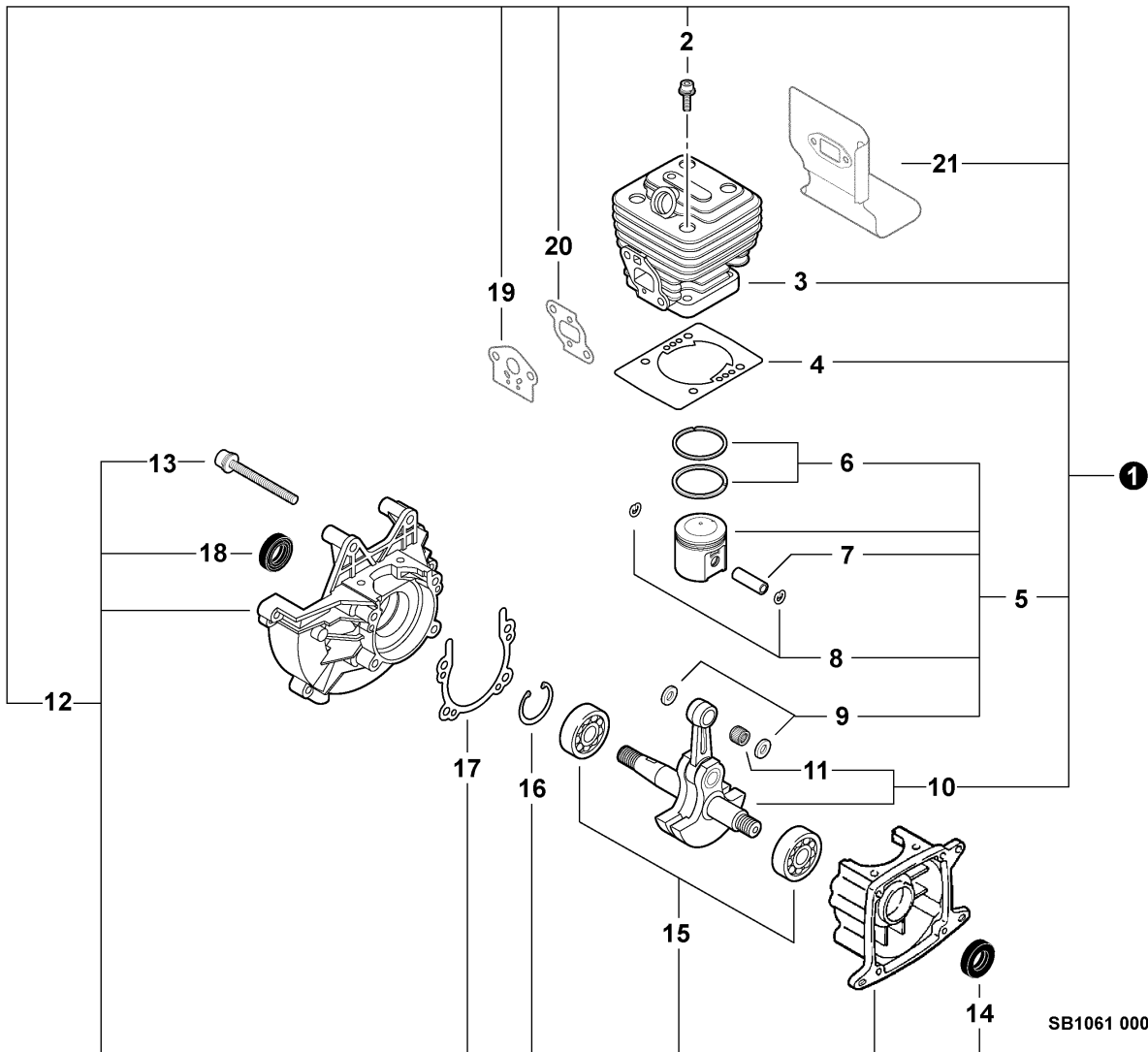


007 0028 000

|    |              |   |                                      |                                 |
|----|--------------|---|--------------------------------------|---------------------------------|
| ①  | 16201056430  | 1 | LEAD - IGNITION                      | CABLE CONDUCTOR                 |
| 2  | 90016205016  | 2 | SCREW - 5X16                         | TORNILLO - 5X16                 |
| 3  | 15901203433  | 1 | CAP, SPARK PLUG                      | TAPA, BUJÍA                     |
| 4  | 15901103432  | 1 | TERMINAL, SPARK PLUG CAP             | TERMINAL, CAPUCHÓN DE BUJÍA     |
| 5  | P021003910   | 1 | COIL, IGNITION                       | BOBINA, IGNICIÓN                |
| 6  | + V475002200 | 1 | TUBE, INSULATOR                      | TUBO, AISLANTE                  |
| 7  | 15611240630  | 1 | GROMMET                              | ANILLO DE GOMA                  |
| 8  | 15901019830  | 1 | SPARK PLUG -- BPM-8Y <sup>(1)</sup>  | BUJÍA -- BPM-8Y <sup>(1)</sup>  |
| 9  | A425000000   | 1 | SPARK PLUG -- BPMR-8Y <sup>(2)</sup> | BUJÍA -- BPMR-8Y <sup>(2)</sup> |
| 10 | 90051500008  | 1 | NUT - 8 -- FLANGE                    | TUERCA, DE BRIDA - 8            |
| 11 | A409000130   | 1 | FLYWHEEL                             | VOLANTE                         |
| 12 | 90024205010  | 1 | SCREW - 5X10                         | TORNILLO - 5X10                 |
| 13 | 16201452930  | 1 | LEAD - GROUND                        | CABLE - DE TIERRA               |
| 14 | 90152        |   | RePower TUNE-UP KIT                  | KIT DEL PUESTA A PUNTO          |

(FOOTNOTE) 1 - Included In RePower KIT  
 2 - CANADA - Included In RePower TUNE-UP KIT

(NOTA DEL PIE) 1 - Incluido en KIT de la RePower  
 2 - CANADA - Incluido en KIT del AJUSTE de la RePower

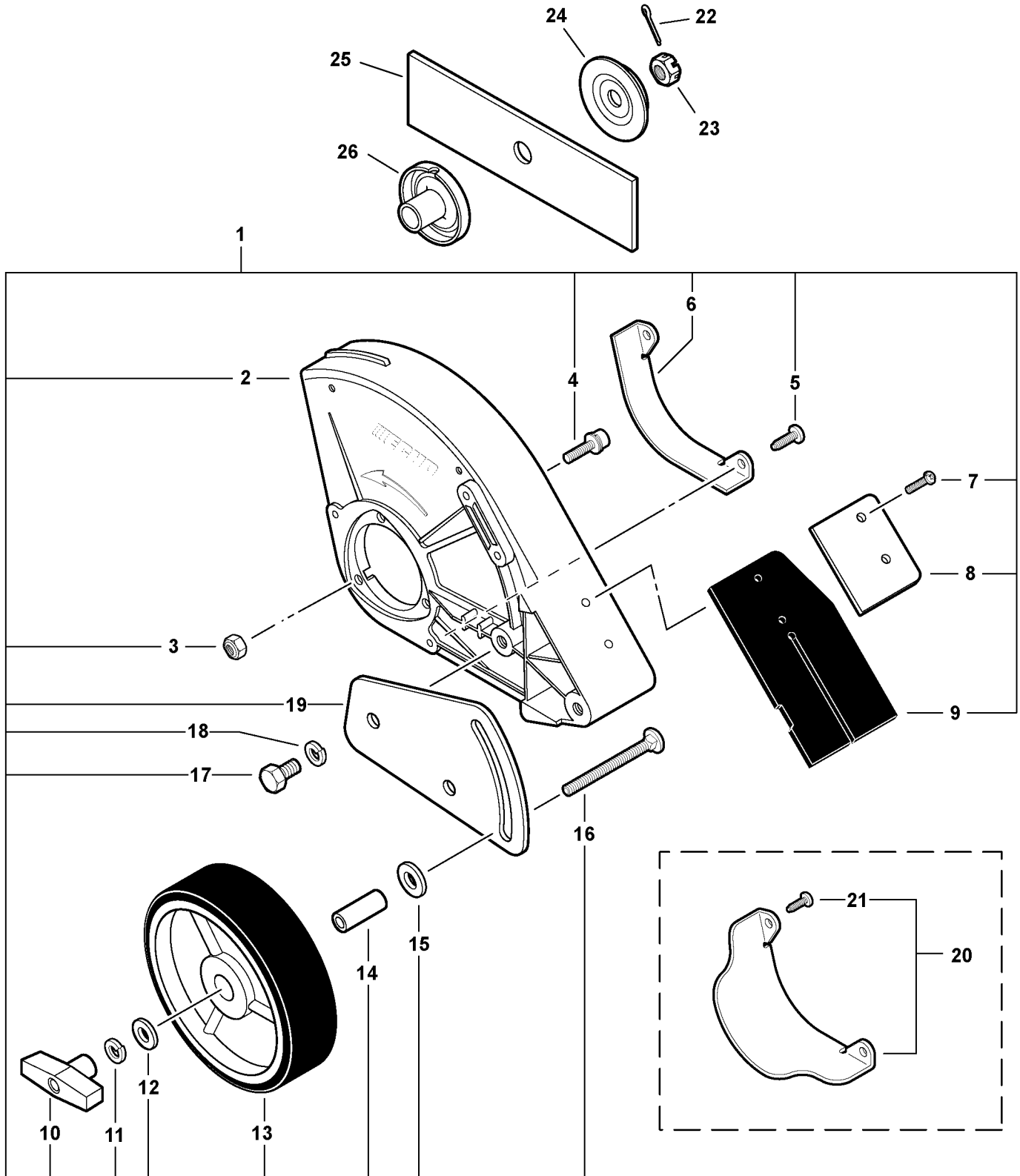


SB1061 0000 000

|          |               |   |                                  |                                  |
|----------|---------------|---|----------------------------------|----------------------------------|
| <b>1</b> | SB1061        | 1 | SHORT BLOCK -- SB1061            | BLOQUE CORTO -- SB1061           |
| 2        | + 90016205022 | 4 | SCREW - 5X22                     | TORNILLO - 5X22                  |
| 3        | + A130000341  | 1 | CYLINDER                         | CILINDRO                         |
| 4        | + V100000060  | 1 | GASKET, CYLINDER <sup>(1)</sup>  | JUNTA, CILINDRO <sup>(1)</sup>   |
| 5        | + P021001102  | 1 | PISTON KIT                       | KIT DE PISTÓN                    |
| 6        | + A101000000  | 2 | RING, PISTON                     | ANILLO, PISTÓN                   |
| 7        | + 10001311520 | 1 | PIN, PISTON                      | PASADOR, PISTÓN                  |
| 8        | + 10001504630 | 2 | RING, RETAINING                  | ANILLO, RETÉN                    |
| 9        | + 10001411520 | 2 | SPACER, PISTON                   | ESPACIADOR, PISTÓN               |
| 10       | + A011000042  | 1 | CRANKSHAFT ASY                   | CONJUNTO DE CIGÜEÑAL             |
| 11       | + V553000010  | 1 | BEARING, NEEDLE - 8              | COJINETE, DE AGUJAS - 8          |
| 12       | + P021000941  | 1 | CRANKCASE KIT                    | KIT DE CÁRTER                    |
| 13       | + 90016205025 | 4 | SCREW - 5X25                     | TORNILLO - 5X25                  |
| 14       | + 10021305530 | 1 | SEAL, OIL                        | SELLO, ACEITE                    |
| 15       | + 90080036001 | 2 | BEARING, BALL - 6001             | COJINETE DE BOLAS - 6001         |
| 16       | + 90070200028 | 1 | RING, RETAINING - 28             | ANILLO, RETÉN - 28               |
| 17       | + 10024255930 | 1 | GASKET, CRANKCASE <sup>(1)</sup> | JUNTA, CÁRTER <sup>(1)</sup>     |
| 18       | + 10021228230 | 1 | SEAL, OIL                        | SELLO, ACEITE                    |
| 19       | + -----       | 1 | SHIELD, EXHAUST <sup>(1)</sup>   | PROTECTOR, ESCAPE <sup>(1)</sup> |
| 20       | + -----       | 1 | GASKET, INTAKE <sup>(1)</sup>    | JUNTA, ADMISIÓN <sup>(1)</sup>   |
| 21       | + -----       | 1 | GASKET, INTAKE <sup>(1)</sup>    | JUNTA, ADMISIÓN <sup>(1)</sup>   |

(FOOTNOTE) 1 - Included In GASKET KIT

(NOTA DEL PIE) 1 - Includo en KIT de la JUNTA

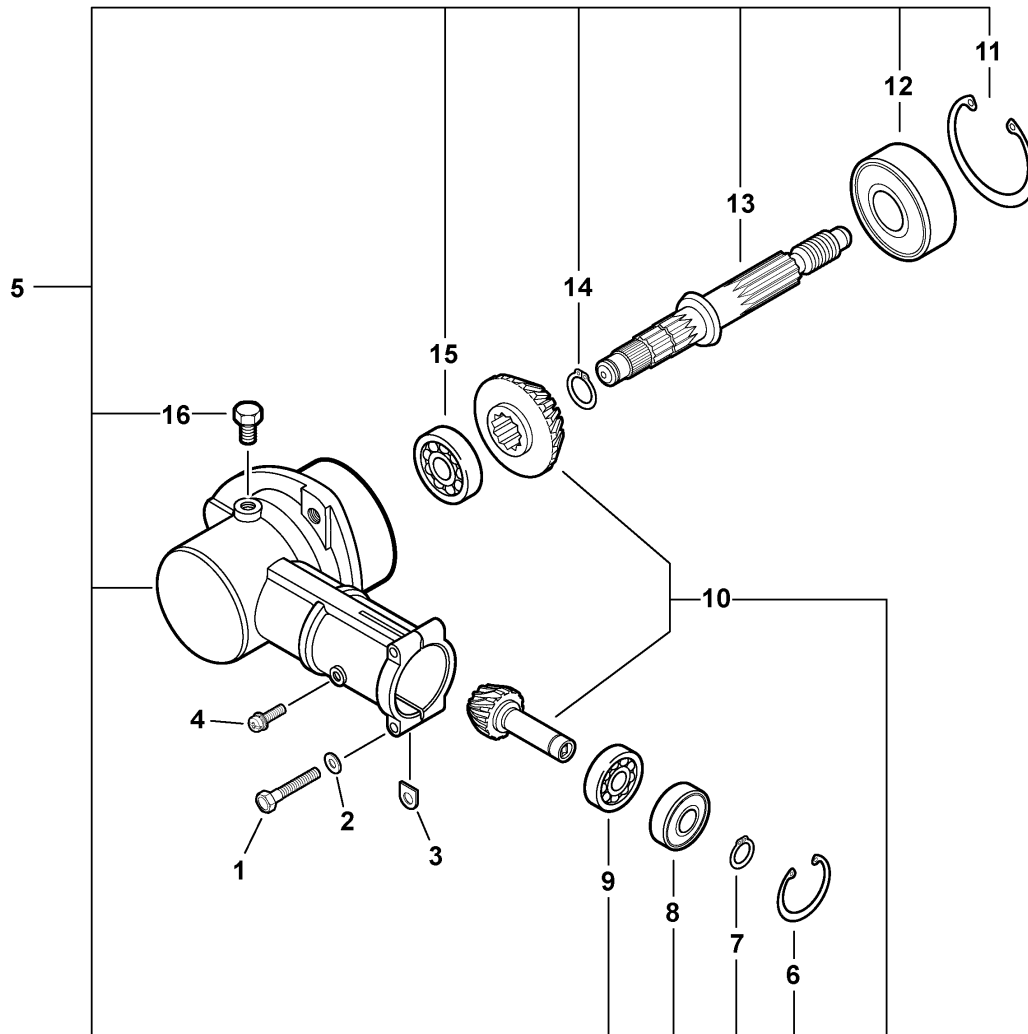


|          |               |   |                                  |  |
|----------|---------------|---|----------------------------------|--|
| <b>1</b> | P021011730    | 1 | EDGER SHIELD KIT                 | KIT DE PROTECTOR - RECORTADORA DE BORDES |
| 2        | + C550000271  | 1 | SHIELD, BLADE                    | PROTECTOR, CUCHILLA                      |
| 3        | + 90056250005 | 3 | LOCKNUT - 5                      | CONTRATUERCA - 5                         |
| 4        | + 90016205025 | 3 | SCREW - 5X25                     | TORNILLO - 5X25                          |
| 5        | + 90025304012 | 2 | SCREW - 4X12 -- TAPPING          | TORNILLO - 4X12 -- AUTOROSCANTE          |
| 6        | + 69902552630 | 1 | GUARD                            | PROTECTOR                                |
| 7        | + 90025304012 | 2 | SCREW - 4X12 -- TAPPING          | TORNILLO - 4X12 -- AUTOROSCANTE          |
| 8        | + C552000101  | 1 | PLATE, FLAP                      | PLACA, ALETA                             |
| 9        | + C550000110  | 1 | FLAP, DEBRIS                     | ALETA, RESIDUOS                          |
| 10       | + 17811355330 | 1 | WINGNUT - 5/16-18                | TUERCA MARIPOSA - 5/16-18                |
| 11       | + 90060500008 | 1 | LOCKWASHER - 8                   | ARANDELA DE PRESIÓN - 8                  |
| 12       | + 90060200008 | 1 | WASHER - 8                       | ARANDELA - 8                             |
| 13       | + C730000030  | 1 | WHEEL - 6X1.5                    | RUEDA - 6X1,5                            |
| 14       | + 30242452630 | 1 | COLLAR - 12                      | ESPACIADOR - 12                          |
| 15       | + 90060200010 | 1 | WASHER - 10                      | ARANDELA - 10                            |
| 16       | + 61025055330 | 1 | BOLT - CARRIAGE                  | PERNO - DE CARRUAJE                      |
| 17       | + 90010008014 | 2 | BOLT - 8X14                      | PERNO - 8X14                             |
| 18       | + 90060500008 | 2 | LOCKWASHER - 8                   | ARANDELA DE PRESIÓN - 8                  |
| 19       | + C712000110  | 1 | BRACKET, WHEEL                   | SOPORTE, RUEDA                           |
| 20       | 900104        | 1 | SHIELD GUARD KIT <sup>(1)</sup>  | KIT DE PROTECTOR <sup>(1)</sup>          |
| 21       | + 90025304012 | 2 | SCREW - 4X12 -- TAPPING          | TORNILLO - 4X12 -- AUTOROSCANTE          |
| 22       | 90030020022   | 1 | PIN, SPLIT - 2X22 <sup>(2)</sup> | PASADOR DIVIDIDO - 2X22 <sup>(2)</sup>   |
| 23       | 90051300010   | 1 | LOCKNUT - LEFT HAND              | CONTRATUERCA -- ROSCA IZQUIERDA          |
| 24       | C535000150    | 1 | ADAPTER, BLADE - LOWER           | ADAPTADOR, CUCHILLA - SUPERIOR           |
| 25       | 69601552632   | 1 | BLADE, EDGER <sup>(3)</sup>      | CUCHILLA, RECORTADORA <sup>(3)</sup>     |
| 26       | C535000100    | 1 | ADAPTER, BLADE - UPPER           | ADAPTADOR, CUCHILLA - SUPERIOR           |

**(FOOTNOTE)** 1 - OPTIONAL: Replaces ITEMS 5 & 6  
 2 - BULK OPTION: 89850201130 - 10 PACK  
 3 - Includes 2 PER PACKAGE

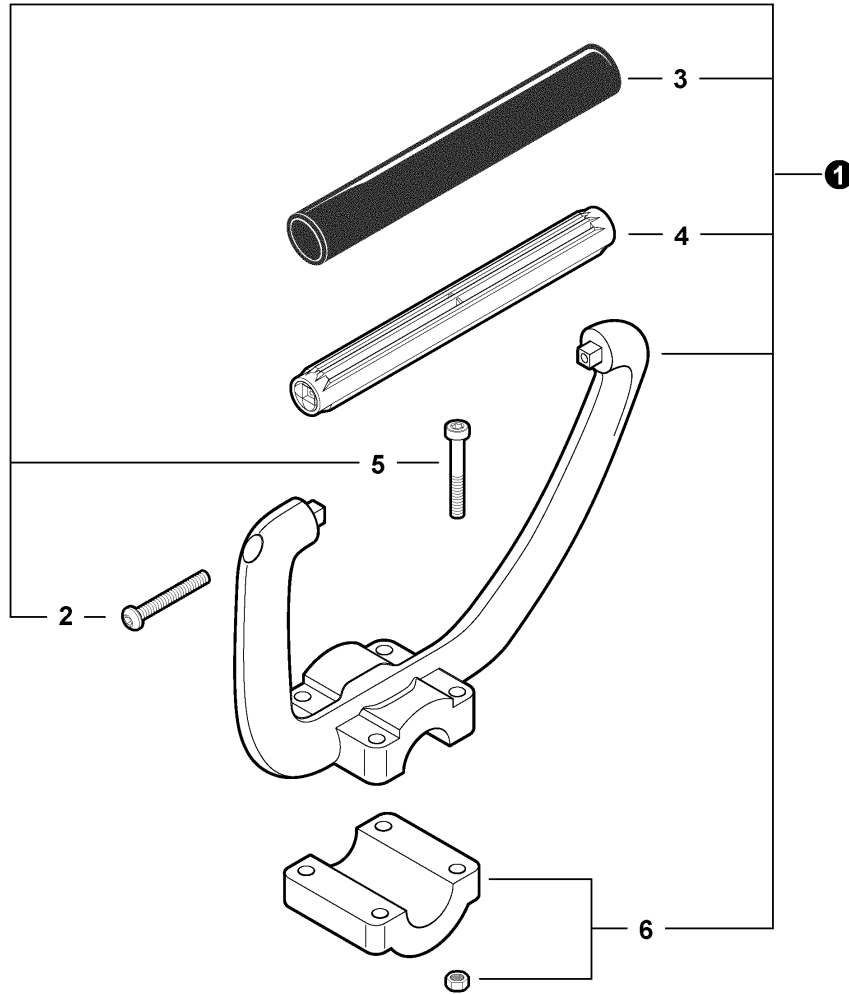
**(NOTA DEL PIE)** 1 - OPCIONAL: Reemplaza elementos 5 y 6  
 2 - OPCIÓN A GRANEL: 89850201130 - 10 PEDAZOS  
 3 - INCLUYE 2 POR EL CONJUNTO





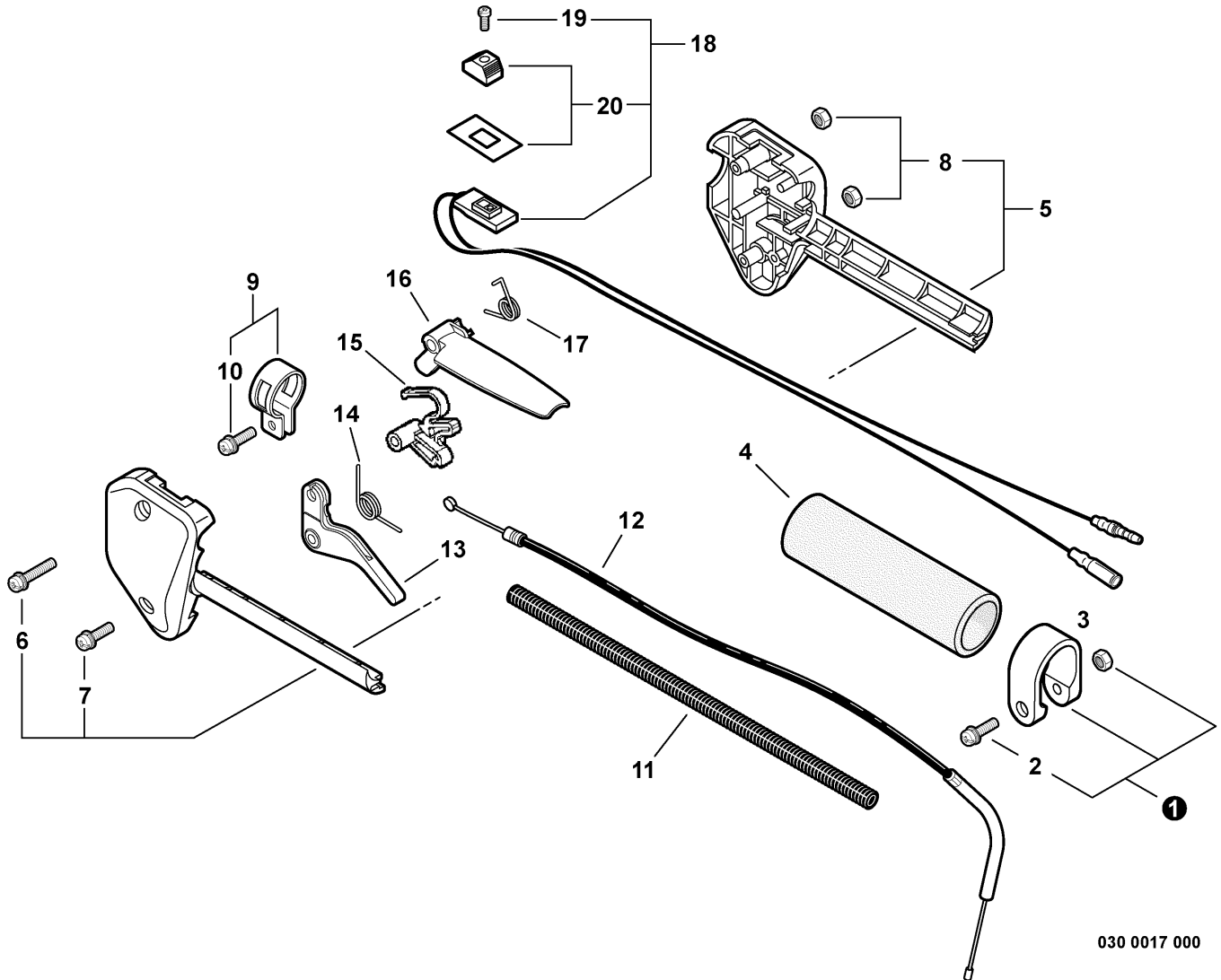
032 0008 000

|    |               |   |                       |                                |
|----|---------------|---|-----------------------|--------------------------------|
| 1  | 90010005030   | 2 | BOLT - 5X30           | PERNO - 5X30                   |
| 2  | 90060000005   | 2 | WASHER                | ARANDELA - 5                   |
| 3  | 61023904130   | 2 | WASHER, SHIM          | ARANDELA, ESPACIADORA          |
| 4  | 90024205012   | 1 | SCREW - 5X12          | TORNILLO - 5X12                |
| 5  | C051000101    | 1 | GEAR CASE ASY         | CONJUNTO DE CAJA DE ENGRANAJES |
| 6  | + 90070200022 | 1 | RING, RETAINING - 22  | ANILLO, RETÉN - 22             |
| 7  | + 90070600010 | 1 | RING, RETAINING - 10  | ANILLO, RETÉN - 10             |
| 8  | + 90085806900 | 1 | BEARING, BALL - 6900Z | COJINETE DE BOLAS - 6900Z      |
| 9  | + 90085506900 | 1 | BEARING, BALL - 6900  | COJINETE DE BOLAS - 6900       |
| 10 | + P021006500  | 1 | GEAR SET              | JUEGO DE ENGRANAJES            |
| 11 | + 90070200042 | 1 | RING, RETAINING - 42  | ANILLO, RETÉN - 42             |
| 12 | + 90081206302 | 1 | BEARING, BALL - 609   | COJINETE DE BOLAS - 609        |
| 13 | + C534000220  | 1 | GEAR, SHAFT           | ENGRANAJE, EJE                 |
| 14 | + 90070600012 | 1 | RING, RETAINING - 12  | ANILLO, RETÉN - 12             |
| 15 | + 90081000629 | 1 | BEARING, BALL - 629   | COJINETE DE BOLAS - 629        |
| 16 | + 61043450031 | 1 | BOLT - 8X8            | PERNO - 8X8                    |



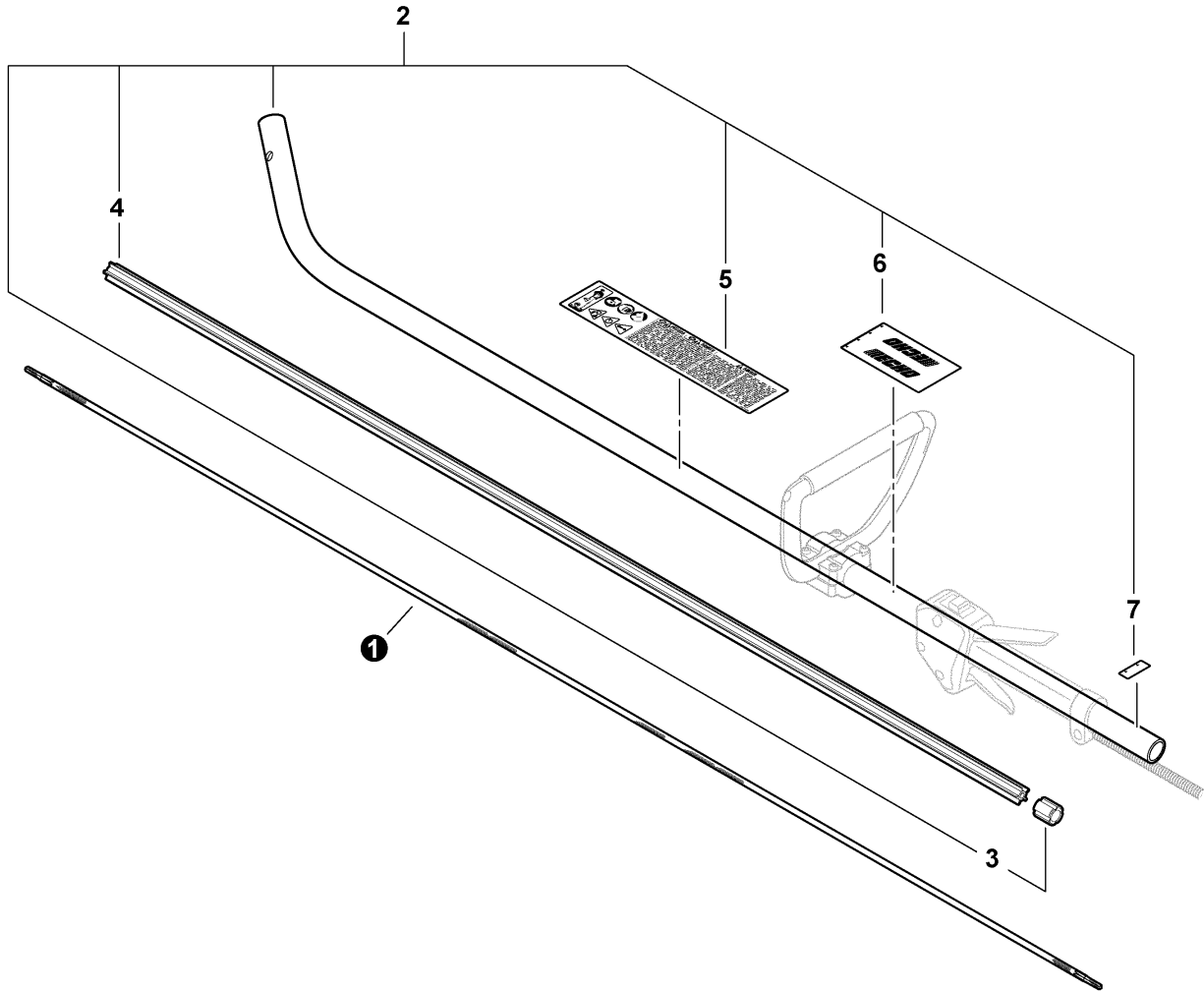
030 0024 000

|          |               |   |                         |                                 |
|----------|---------------|---|-------------------------|---------------------------------|
| <b>1</b> | P021012410    | 1 | LOOP HANDLE ASY         | CONJUNTO DE MANGO DE LAZO       |
| <b>2</b> | + V805000020  | 2 | SCREW - 5X35 -- TAPPING | TORNILLO - 5X35 -- AUTOROSCANTE |
| <b>3</b> | + 35121351730 | 1 | GRIP, HANDLE            | AGARRE, MANGO                   |
| <b>4</b> | + 35121051730 | 1 | HANDLE                  | MANGO                           |
| <b>5</b> | + 90024205035 | 4 | SCREW - 5X35            | TORNILLO - 5X35                 |
| <b>6</b> | + C423000300  | 1 | BRACKET, HANDLE - LOWER | SOPORTE, MANGO - INFERIOR       |



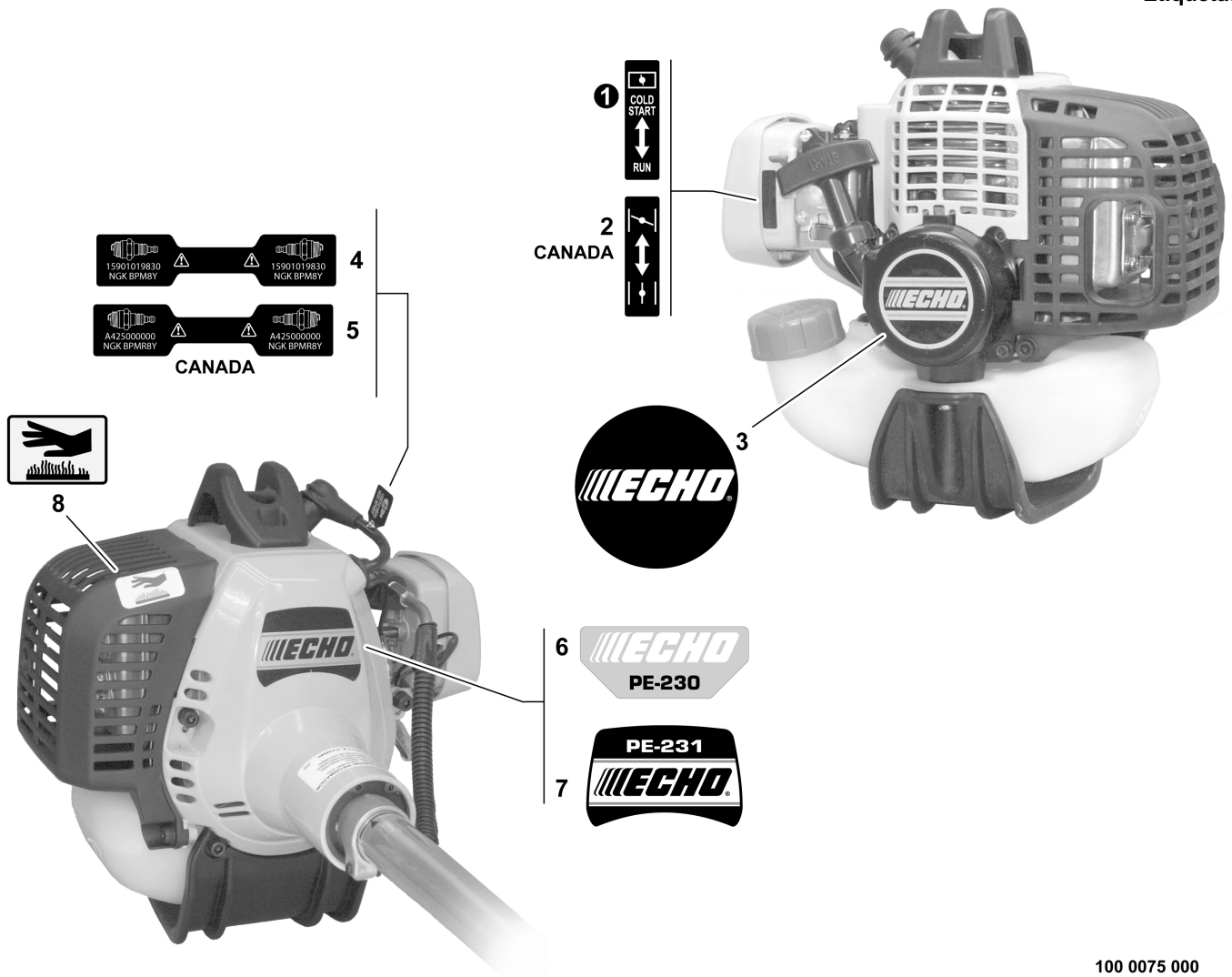
030 0017 000

|    |               |   |                               |                                       |
|----|---------------|---|-------------------------------|---------------------------------------|
| 1  | 61027252130   | 1 | CLAMP KIT                     | KIT DE ABRAZADERA                     |
| 2  | + 90024205028 | 1 | SCREW - 5X28                  | TORNILLO - 5X28                       |
| 3  | + 90050000005 | 1 | NUT - 5                       | TUERCA - 5                            |
| 4  | 35121352130   | 1 | GRIP, HANDLE                  | AGARRE, MANGO                         |
| 5  | 17800352130   | 1 | CONTROL HANDLE KIT            | KIT DE MANGO DE CONTROL               |
| 6  | + 90024205035 | 1 | SCREW - 5X35                  | TORNILLO - 5X35                       |
| 7  | + 90024205025 | 1 | SCREW - 5X25                  | TORNILLO - 5X25                       |
| 8  | + 90050000005 | 2 | NUT - 5                       | TUERCA - 5                            |
| 9  | 30120029430   | 1 | CLAMP KIT                     | KIT DE ABRAZADERA                     |
| 10 | + 90024205014 | 1 | SCREW - 5X14                  | TORNILLO - 5X14                       |
| 11 | V475000850    | 1 | TUBE, PROTECTIVE - CORRUGATED | TUBO, PROTECTOR - CORRUGADA           |
| 12 | V430000730    | 1 | CABLE, THROTTLE               | CABLE, ACELERADOR                     |
| 13 | 17801052130   | 1 | TRIGGER, THROTTLE             | GATILLO, ACELERADOR                   |
| 14 | 17804342230   | 1 | SPRING, TRIGGER               | RESORTE, GATILLO                      |
| 15 | 17801252730   | 1 | LOCKOUT, TRIGGER              | TRABA, GATILLO                        |
| 16 | 17809052632   | 1 | LEVER, TRIGGER LOCKOUT        | PALANCA, TRABADO DEL GATILLO          |
| 17 | 17801352630   | 1 | SPRING, THROTTLE LOCKOUT      | RESORTE, TRABA DEL ACELERADOR         |
| 18 | A440000280    | 1 | IGNITION SWITCH ASY           | CONJUNTO DE INTERRUPTOR DEL ENCENDIDO |
| 19 | + 9154503010  | 1 | SCREW - 3X10                  | TORNILLO - 3X10                       |
| 20 | + A444000020  | 1 | KNOB, SWITCH - ORANGE         | PERILLA                               |



031 0004 000

|   |               |   |                         |                                |
|---|---------------|---|-------------------------|--------------------------------|
| ① | 61001344730   | 1 | DRIVESHAFT - FLEXIBLE   | EJE DE MANDO - FLEXIBLE        |
| 2 | 61020652630   | 1 | MAIN PIPE ASY           | CONJUNTO DE TUBO PRINCIPAL     |
| 3 | + 61024644730 | 1 | STOPPER                 | DETENEDOR                      |
| 4 | + C507000260  | 1 | LINER - FLEXIBLE        | FORRO - FLEXIBLE               |
| 5 | + X505002510  | 1 | LABEL - CAUTION         | ETIQUETA - PRECAUCIÓN          |
| 6 | + X505001930  | 1 | LABEL - HANDLE LOCATION | ETIQUETA - UBICACIÓN DEL MANGO |
| 7 | + 89015204930 | 1 | LABEL - ALIGNMENT       | ETIQUETA - ALINEACIÓN          |

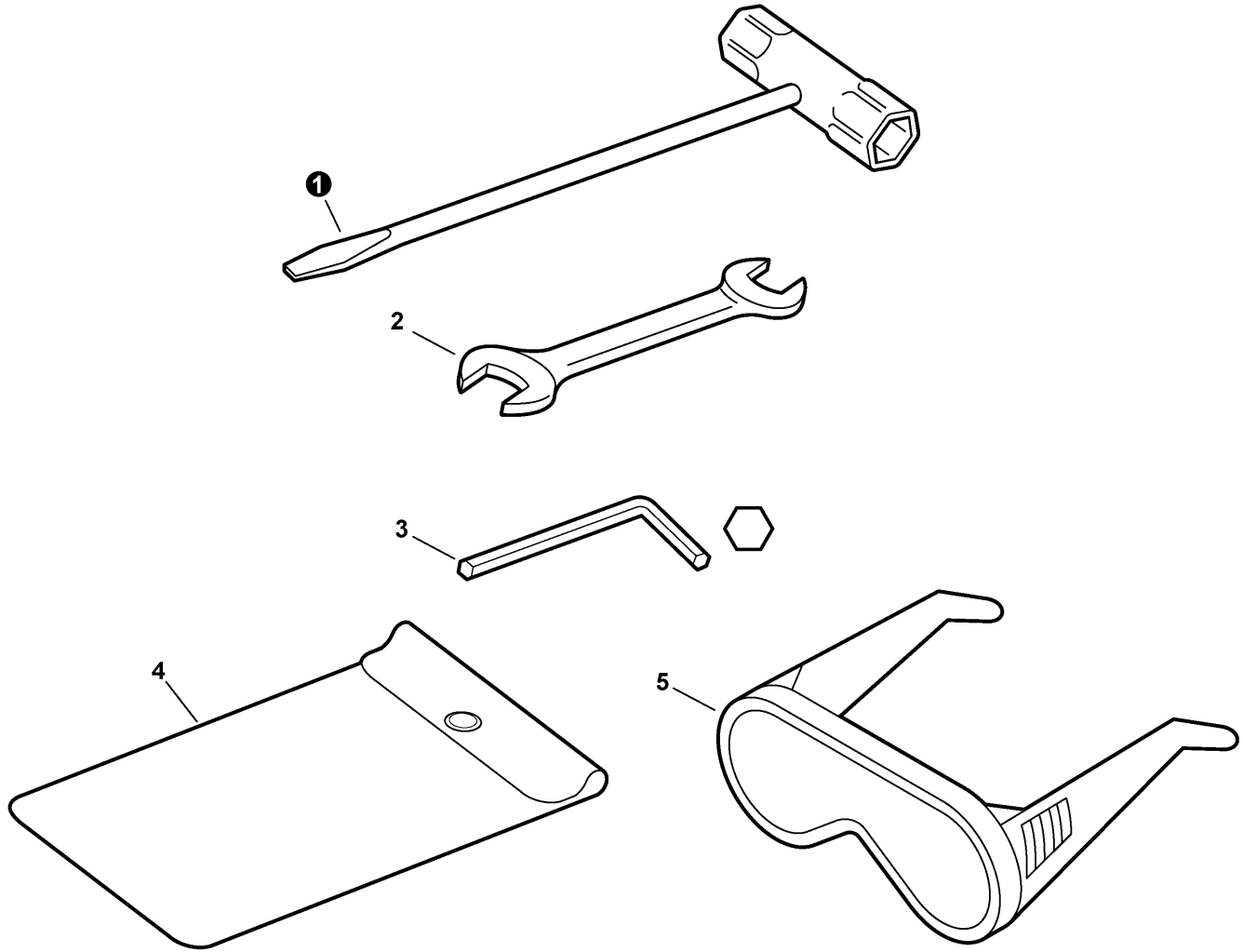


100 0075 000

|   |             |   |  |  |
|---|-------------|---|--|--|
| 1 | 89012152730 | 1 | LABEL - CHOKE                                | ETIQUETA - AHOGADOR                        |
| 2 | 89033252730 | 1 | LABEL - CHOKE <sup>(1)</sup>                 | ETIQUETA - AHOGADOR <sup>(1)</sup>         |
| 3 | X502000330  | 1 | LABEL - ECHO                                 | ETIQUETA - ECHO                            |
| 4 | X532000671  | 1 | LABEL - SPARK PLUG -- BPM-8Y                 | ETIQUETA - BUJÍA -- BPM-8Y                 |
| 5 | X532000720  | 1 | LABEL - SPARK PLUG -- BPMR-8Y <sup>(1)</sup> | ETIQUETA - BUJÍA -- BPMR-8Y <sup>(1)</sup> |
| 6 | X547001500  | 1 | LABEL - MODEL -- PE-230                      | ETIQUETA - MODELO -- PE-230                |
| 7 | X503001150  | 1 | LABEL - MODEL -- PE-231                      | ETIQUETA - MODELO -- PE-231                |
| 8 | X505002310  | 1 | LABEL - CAUTION -- HOT                       | ETIQUETA - PRECAUCIÓN -- CALIENTE          |

(FOOTNOTE) 1 - CANADA MODELS

(NOTA DEL PIE) 1 - MODELOS DE CANADÁ



200 0039 000

|   |             |   |                    |                             |
|---|-------------|---|--------------------|-----------------------------|
| ❶ | X602000020  | 1 | T-WRENCH - 17X19mm | LLAVE DE CUBO/DESTORNILADOR |
| 2 | 89511200330 | 1 | SPANNER - 8X10mm   | LLAVE DE TUERCAS - 8X10     |
| 3 | X605000100  | 1 | KEY - HEX -- 4mm   | CHAVETA HEXAGONAL - 4mm     |
| 4 | 89851039130 | 1 | BAG, TOOL          | BOLSA DE HERRAMIENTAS       |
| 5 | X690000080  | 1 | GOGGLES            | PROTECTORES DE LA VISTA     |

Recortadora de Bordes

**P021003900 Gasket Kit**  
**P021003900 Kit de Juntas**

| <u>Use Gasket Kit</u> | <u>Contains:</u> | <u>Service Number</u> | <u>Description</u> |
|-----------------------|------------------|-----------------------|--------------------|
| P021003900            |                  | 10024255930           | GASKET, CRANKCASE  |
|                       |                  | 13001013410           | GASKET, INTAKE     |
|                       |                  | 13001055930           | GASKET, INTAKE     |
|                       |                  | 14586642031           | GASKET, EXHAUST    |
|                       |                  | V100000060            | GASKET, CYLINDER   |
|                       |                  | V104000061            | GASKET, EXHAUST    |
|                       |                  | V104000360            | GASKET, EXHAUST    |

300 0007 000



P021003900

1

GASKET KIT

KIT DE JUNTAS

**90008 RePower FILTER KIT**

---

| contains:                      | qty: |
|--------------------------------|------|
| --- FILTER, AIR - DOUBLE LAYER | 1    |
| --- FILTER, FUEL               | 1    |

**90008 KIT del FILTRO de la RePower**

---

| Incluye:                        | cant: |
|---------------------------------|-------|
| --- FILTRO DE AIRE - CAPA DOBLE | 1     |
| --- FILTRO DE COMBUSTIBLE       | 1     |

**90008 KIT de FILTRE de pouvoir de RePower**

---

| Inclut:                         | qte: |
|---------------------------------|------|
| --- FILTRE, AIR - COUCHE DOUBLE | 1    |
| --- FILTRE, ESSENCE             | 1    |

**90008 JOGO do FILTRO do RePower**

---

| Inclui:                       | quant: |
|-------------------------------|--------|
| --- FILTRO, AR - CAMADA DUPLA | 1      |
| --- FILTRO, COMBUSTÍVEL       | 1      |

90008



90008

1 RePower FILTER KIT

KIT DE FILTRACIÓN

---



**90010 RePower CAP AND VENT KIT**

---

| contains:       | qty: |
|-----------------|------|
| --- CAP         | 1    |
| --- GASKET, CAP | 1    |
| --- VENT ASY    | 1    |

**90010 KIT del CASQUILLO Y del RESPIRADERO de la RePower**

---

| Incluye:                    | cant: |
|-----------------------------|-------|
| --- TAPA                    | 1     |
| --- JUNTA, TAPA             | 1     |
| --- CONJUNTO DE RESPIRADERO | 1     |

**90010 KIT de CAP ET d'ÉVENT de pouvoir de RePower**

---

| Inclut:             | qte: |
|---------------------|------|
| --- CAPUCHON        | 1    |
| --- JOINT, CAPUCHON | 1    |
| --- ASS. ÉVENT      | 1    |

**90010 JOGO do TAMPÃO E do RESPIRADOURO do RePower**

---

| Inclui:                | quant: |
|------------------------|--------|
| --- TAMPA              | 1      |
| --- VEDAÇÃO, TAMPA     | 1      |
| --- CJTO DO VENTILADOR | 1      |

90010



90010

1 RePower CAP AND VENT KIT

KIT REPOWER DE TAPA Y RESPIRADERO

**90104 RePower FUEL SYSTEM KIT**

| contains:                   | qty: |
|-----------------------------|------|
| --- CLIP - 6.5              | 2    |
| --- FILTER, FUEL            | 1    |
| --- GROMMET                 | 1    |
| --- PIPE - 3X6X115 -- BLACK | 1    |
| --- PIPE - 3X6X170 -- BLACK | 1    |
| --- PIPE - 3X6X80 -- CLEAR  | 1    |
| --- VENT ASY                | 1    |

**90104 KIT de d'INSTALLATION CARBURANT de RePower**

| Inclut:                     | qte: |
|-----------------------------|------|
| --- ANNEAU - 6.5            | 2    |
| --- FILTRE, ESSENCE         | 1    |
| --- OEILLET                 | 1    |
| --- TUYAU - 3X6X115 -- NOIR | 1    |
| --- TUYAU - 3X6X170 -- NOIR | 1    |
| --- TUYAU - 3X6X80 -- CLAIR | 1    |
| --- ASS. ÉVENT              | 1    |

**90104 KIT del SISTEMA de CARBURANTE de la RePower**

| Incluye:                          | cant: |
|-----------------------------------|-------|
| --- GANCHO - 6.5                  | 2     |
| --- FILTRO DE COMBUSTIBLE         | 1     |
| --- ANILLO DE GOMA                | 1     |
| --- TUBO - 3X6X115 -- NEGRO       | 1     |
| --- TUBO - 3X6X170 -- NEGRO       | 1     |
| --- TUBO - 3X6X80 -- TRANSPARENTE | 1     |
| --- CONJUNTO DE RESPIRADERO       | 1     |

**90104 JOGO do SISTEMA de COMBUSTÍVEL do RePower**

| Inclui:                           | quant: |
|-----------------------------------|--------|
| --- PRESILHA - 6.5                | 2      |
| --- FILTRO, COMBUSTÍVEL           | 1      |
| --- OLHAL                         | 1      |
| --- TUBO - 3X6X115 -- PRETO       | 1      |
| --- TUBO - 3X6X170 -- PRETO       | 1      |
| --- TUBO - 3X6X80 -- TRANSPARENTE | 1      |
| --- CJTO DO VENTILADOR            | 1      |

90104



90104

1 RePower FUEL SYSTEM KIT

KIT DEL SISTEMA DE CARBURANTE

**90152****RePower TUNE-UP KIT**

---

| contains:                      | qty: |
|--------------------------------|------|
| --- FILTER, AIR - DOUBLE LAYER | 1    |
| --- FILTER, FUEL               | 1    |
| --- SPARK PLUG -- BPMR-8Y      | 1    |

**KIT del AJUSTE de la RePower**

---

| Incluye:                        | cant: |
|---------------------------------|-------|
| --- FILTRO DE AIRE - CAPA DOBLE | 1     |
| --- FILTRO DE COMBUSTIBLE       | 1     |
| --- BUJÍA -- BPMR-8Y            | 1     |

**KIT de MISE AU POINT de pouvoir de RePower**

---

| Inclut:                          | qte: |
|----------------------------------|------|
| --- FILTRE, AIR - COUCHE DOUBLE  | 1    |
| --- FILTRE, ESSENCE              | 1    |
| --- BOUGIE D'ALLUMAGE -- BPMR-8Y | 1    |

**JOGO do AJUSTE do RePower**

---

| Inclui:                        | quant: |
|--------------------------------|--------|
| --- FILTRO, AR - CAMADA DOPLA  | 1      |
| --- FILTRO, COMBUSTÍVEL        | 1      |
| --- VELA DE IGNIÇÃO -- BPMR-8Y | 1      |

90152



90152

1 RePower TUNE-UP KIT

KIT DEL PUESTA A PUNTO

---

## PART NUMBER INDEX - ÍNDICE DEL NÚMERO DE PARTE

Click The Page Number After Any Part Number To View The Diagram Containing That Part  
 Chasque la página después de cualquier número de parte para ver el diagrama que contiene esa parte

| Part Number | Page     | Part Number | Page         | Part Number | Page | Part Number | Page |
|-------------|----------|-------------|--------------|-------------|------|-------------|------|
| -----       | 4, 6, 13 | 61023904130 | 16           | A052000030  | 11   | V622000020  | 10   |
| 10001311520 | 13       | 61024644730 | 19           | A101000000  | 13   | V805000020  | 17   |
| 10001411520 | 13       | 61025055330 | 15           | A130000341  | 13   | X502000330  | 20   |
| 10001504630 | 13       | 61027252130 | 18           | A160000040  | 3    | X503001150  | 20   |
| 10021228230 | 13       | 61043450031 | 16           | A160000060  | 3    | X505001930  | 19   |
| 10021305530 | 13       | 61092255931 | 10           | A162000000  | 3    | X505002310  | 20   |
| 10024255930 | 13       | 69601552632 | 15           | A172000030  | 10   | X505002510  | 19   |
| 12531061830 | 6        | 69902552630 | 15           | A226001410  | 4    | X532000671  | 20   |
| 12533942030 | 6        | 89012152730 | 20           | A300000141  | 7    | X532000720  | 20   |
| 12534252130 | 6        | 89015204930 | 19           | A313000130  | 7    | X547001500  | 20   |
| 12534413931 | 6        | 89033252730 | 20           | A313000350  | 8    | X602000020  | 21   |
| 12534452130 | 6        | 89511200330 | 21           | A320000003  | 3    | X605000100  | 21   |
| 12538108660 | 6        | 89851039130 | 21           | A350000660  | 9    | X690000080  | 21   |
| 12901152730 | 4        | 90008       | 4, 9, 23     | A356000031  | 9    |             |      |
| 13001013410 | 4        | 90010       | 9, 24        | A409000130  | 12   |             |      |
| 13001055930 | 4        | 90010005030 | 16           | A425000000  | 12   |             |      |
| 13001756431 | 4        | 90010008014 | 15           | A440000280  | 18   |             |      |
| 13031054130 | 4        | 900104      | 15           | A444000020  | 18   |             |      |
| 13031305863 | 4        | 90010505055 | 7, 8         | A553000010  | 10   |             |      |
| 13031306563 | 4        | 90010605012 | 3            | A556000030  | 10   |             |      |
| 13100455530 | 9        | 90016205016 | 9, 12        | C051000101  | 16   |             |      |
| 13101655830 | 9        | 90016205018 | 10           | C423000300  | 17   |             |      |
| 13104528230 | 9        | 90016205022 | 9, 13        | C507000260  | 19   |             |      |
| 13105156030 | 9        | 90016205025 | 4, 13, 15    | C534000220  | 16   |             |      |
| 13120519831 | 9        | 90016205028 | 10           | C535000100  | 15   |             |      |
| 13201052030 | 9        | 90024204010 | 8            | C535000150  | 15   |             |      |
| 13201256030 | 9        | 90024205010 | 12           | C550000110  | 15   |             |      |
| 13201326630 | 9        | 90024205012 | 16           | C550000271  | 15   |             |      |
| 13211555930 | 9        | 90024205014 | 18           | C552000101  | 15   |             |      |
| 14580642030 | 8        | 90024205025 | 18           | C712000110  | 15   |             |      |
| 14586240630 | 7, 8     | 90024205028 | 18           | C730000030  | 15   |             |      |
| 14586642031 | 8        | 90024205035 | 17, 18       | P005000100  | 6    |             |      |
| 15611240630 | 12       | 90024205060 | 4            | P005000190  | 6    |             |      |
| 15901019830 | 12       | 90024405020 | 9            | P005000250  | 6    |             |      |
| 15901103432 | 12       | 90025304012 | 15           | P005000270  | 6    |             |      |
| 15901203433 | 12       | 90030020022 | 15           | P005000280  | 6    |             |      |
| 16201056430 | 12       | 90050000005 | 18           | P005000550  | 6    |             |      |
| 16201452930 | 12       | 90050200008 | 11           | P005000930  | 6    |             |      |
| 17504656030 | 10       | 90051300010 | 15           | P005000950  | 6    |             |      |
| 17504805530 | 10       | 90051500008 | 12           | P005001000  | 6    |             |      |
| 17504956030 | 10       | 90056250005 | 15           | P005001260  | 6    |             |      |
| 17720055931 | 11       | 90056500005 | 11           | P005001270  | 6    |             |      |
| 17721540630 | 11       | 90060000005 | 8, 16        | P005001330  | 6    |             |      |
| 17721840630 | 11       | 90060200008 | 15           | P005001620  | 6    |             |      |
| 17722040630 | 11       | 90060200010 | 15           | P005002090  | 6    |             |      |
| 17722603930 | 11       | 90060300005 | 9            | P021000941  | 13   |             |      |
| 17722742030 | 11       | 90060500008 | 15           | P021000991  | 4    |             |      |
| 17722827030 | 11       | 90070000004 | 11           | P021001102  | 13   |             |      |
| 17723440630 | 11       | 90070100012 | 10           | P021001410  | 10   |             |      |
| 17723644330 | 11       | 90070200022 | 16           | P021003900  | 22   |             |      |
| 17724611120 | 11       | 90070200028 | 10, 13       | P021003910  | 12   |             |      |
| 17800352130 | 18       | 90070200042 | 10, 16       | P021004480  | 4    |             |      |
| 17801052130 | 18       | 90070600010 | 16           | P021006500  | 16   |             |      |
| 17801252730 | 18       | 90070600012 | 16           | P021011730  | 15   |             |      |
| 17801352630 | 18       | 90080036001 | 13           | P021012410  | 17   |             |      |
| 17804342230 | 18       | 90080796001 | 10           | SB1061      | 13   |             |      |
| 17809052632 | 18       | 90081000629 | 16           | V100000060  | 13   |             |      |
| 17811106230 | 10       | 90081206302 | 16           | V104000061  | 7, 8 |             |      |
| 17811355330 | 15       | 90085506900 | 16           | V104000360  | 7    |             |      |
| 21041752730 | 4        | 90085806900 | 16           | V150000371  | 7    |             |      |
| 30120029430 | 18       | 90104       | 9, 25        | V347000000  | 7    |             |      |
| 30242452630 | 15       | 90152       | 4, 9, 12, 26 | V353000020  | 3    |             |      |
| 30511057733 | 9        | 9111005016  | 3            | V430000730  | 18   |             |      |
| 35121051730 | 17       | 9112604012  | 11           | V451000090  | 10   |             |      |
| 35121351730 | 17       | 9136704010  | 7            | V471000110  | 9    |             |      |
| 35121352130 | 18       | 9154503010  | 18           | V475000850  | 18   |             |      |
| 61001344730 | 19       | A011000042  | 13           | V475002200  | 12   |             |      |
| 61020652630 | 19       | A021000721  | 6            | V553000010  | 13   |             |      |