



OPTIONAL ATTACHMENTS & ACCESSORIES

Accessories

35130454230	U-Handle Kit
99944200200	SRM Shoulder Harness Kit
99944200411	20mm Blade Conversion Kit
99944200415	Universal Blade Conversion Kit
99944200455	Barrier Bar
99944200521	U-Handle_Blade Conversion Combo Kit
SRAC-200	Tiller/Cultivator Attachment

Cutting Heads

215511	Pro Maxi-Cut Head
21560030	ECHOMATIC Pro Head
21560031	SRM ECHOMATIC Pro Head
21560050	SRM ECHOMATIC Head
21560055	Semi-Auto Head Assembly
21560056	2-Line Rapid Loader Trimmer Head
21560060	SRM Manual Dual Line Head
99944200230	Semi-Auto Dual Line Head
99944200900	U-Turn Head

Maintenance and RePower Kits

90008	Filter Kit
90010	RePower Cap & Vent Kit
90064	RePower Tune-Up Kit
90104	RePower Fuel System Kit
P021003900	Gasket Kit

PARTS CATALOG

SRM-231 Trimmer

22.8cc

SERIAL NUMBERS

S/N: 02001001 - 02999999

ECHO, INCORPORATED

400 Oakwood Road Lake Zurich, Illinois 60047 USA

WWW.ECHO-USA.COM



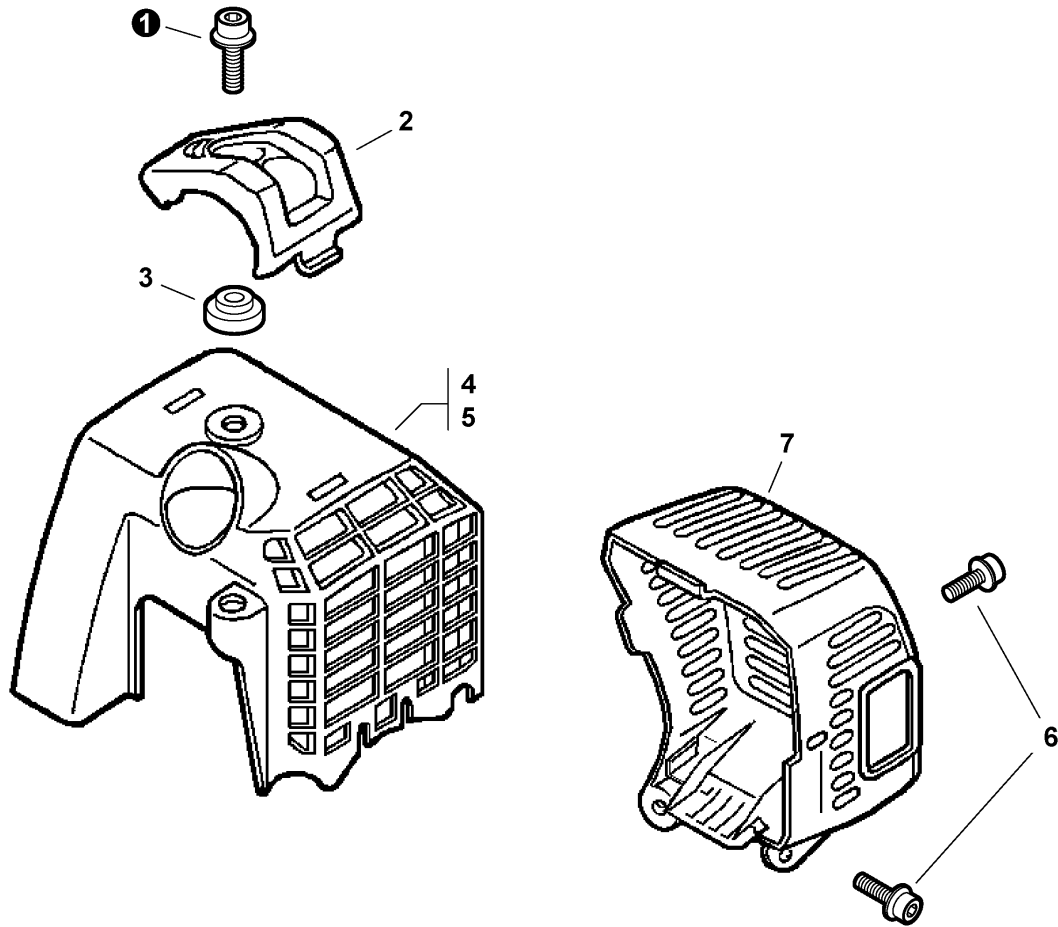
Table of Contents

Click Any Diagram Description Below To View That Diagram.

SRM-231 S/N: 02001001 - 02999999

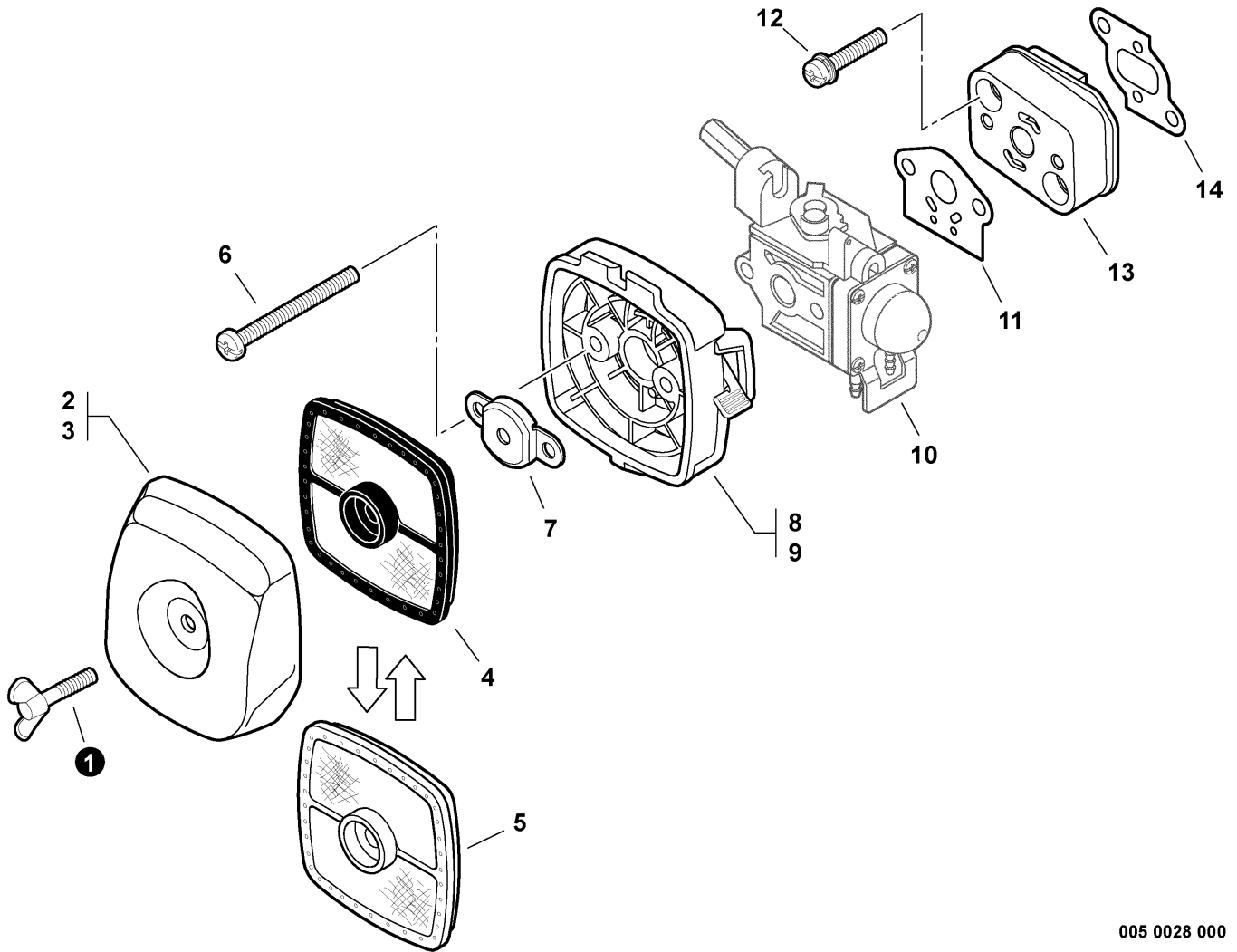
Engine Cover, Exhaust Cover.....	4
Intake.....	6
Carburetor -- RB-K57A.....	8
Exhaust.....	10
Fuel System.....	12
Fan Case, Clutch -- GRAY MODELS.....	14
Starter -- Standard.....	16
Ignition.....	18
Engine, Short Block -- SB1045.....	20
Debris Shield - Plastic.....	22
Gear Case.....	24
Front Handle.....	26
Control Handle, Throttle Cable, Ignition Switch.....	28
Main Pipe Assembly, Driveshaft.....	30
Labels.....	32
Gasket Kit.....	34
Part Number Index.....	36
Part Description Index.....	37

This Page Intentionally Left Blank



001 0016 000

ITEM	PART NUMBER	QTY	DESCRIPTION	REMARKS
1	9111005016	1	SCREW - 5X16	
2	A162000000	1	GUARD, TOP	
3	V353000020	1	COLLAR - 5	
4	A160000040	1	COVER, ENGINE - GRAY	
5	A160000060	1	COVER, ENGINE - ORANGE	
6	90010605012	2	SCREW - 5X12	
7	A320000003	1	COVER, EXHAUST	

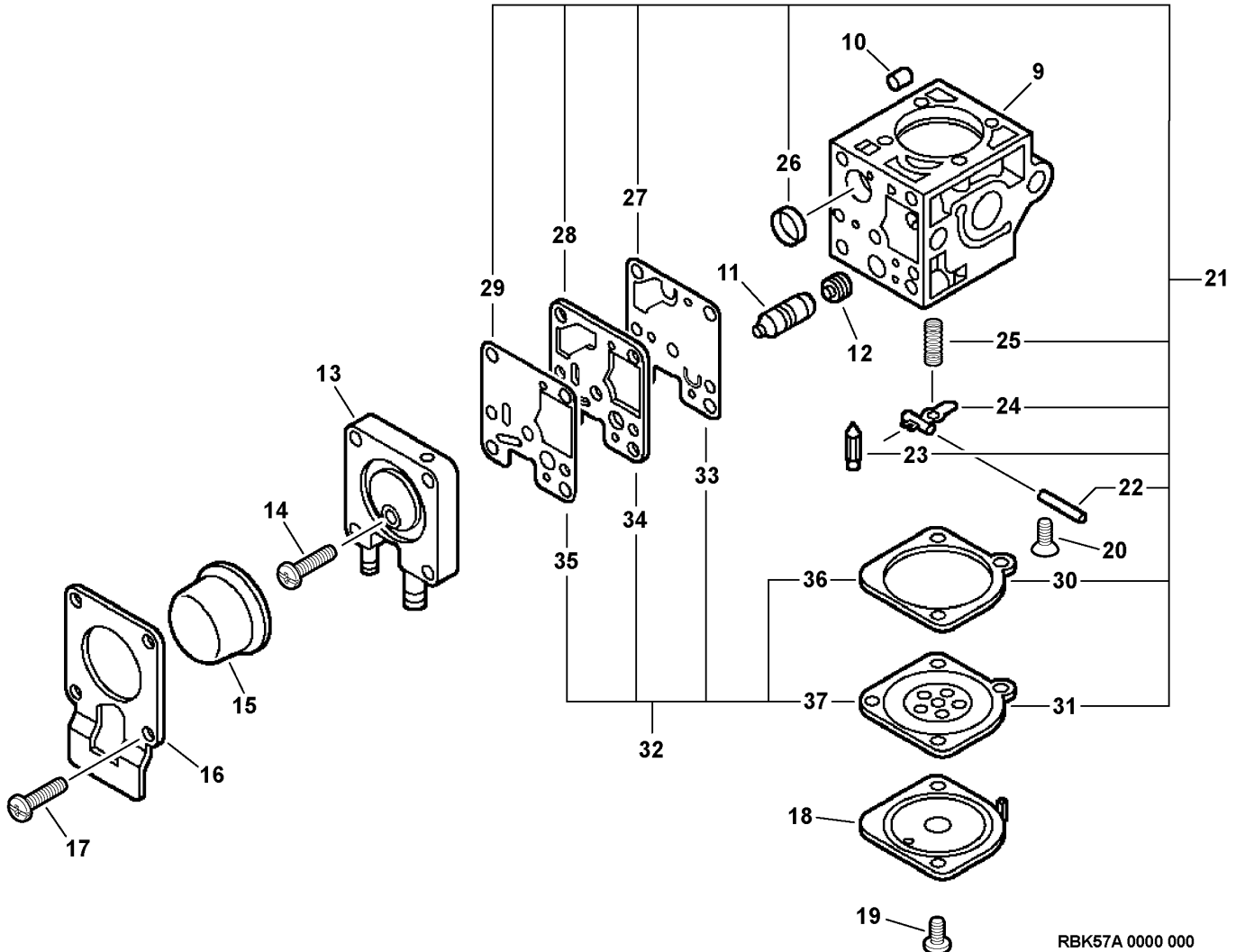
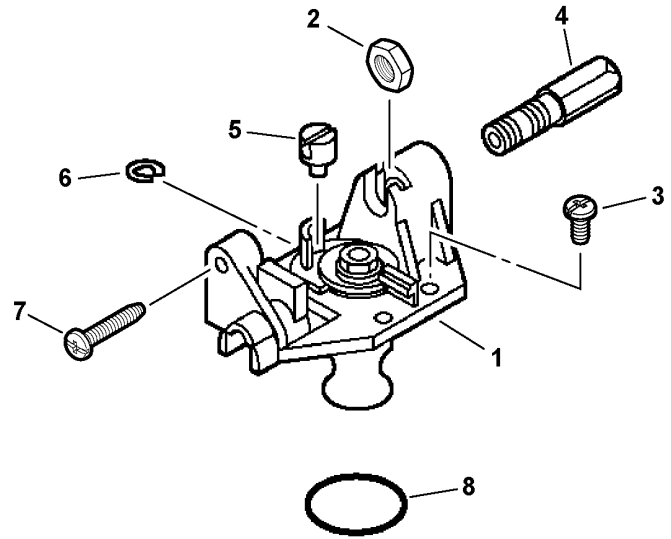


005 0028 000

ITEM	PART NUMBER	QTY	DESCRIPTION	REMARKS
1	21041752730	1	THUMBSCREW	
2	13031306563	1	COVER, AIR CLEANER - GRAY	
3	13031305863	1	COVER, AIR CLEANER - BLACK	
4	A226001410	1	FILTER, AIR - DOUBLE LAYER ¹	
5	13031054130	1	FILTER, AIR - SINGLE LAYER ²	
6	90024205060	2	SCREW - 5X60	
7	12901152730	1	PLATE, PREVENT	
8	P021000991	1	CASE, AIR CLEANER - GRAY	
9	P021004480	1	CASE, AIR CLEANER - BLACK	
10	-----	1	CARBURETOR ³	
11	13001013410	1	GASKET, INTAKE ⁴	
12	90016205025	2	SCREW - 5X25	
13	13001756431	1	INSULATOR, INTAKE	
14	13001055930	1	GASKET, INTAKE ⁵	

Footnotes

- 1: Included In RePower TUNE-UP KIT
- 2: OPTIONAL
- 3: See Carburetor Diagrams For Details
- 4: Also Included In GASKET KIT
- 5: Included In GASKET KIT

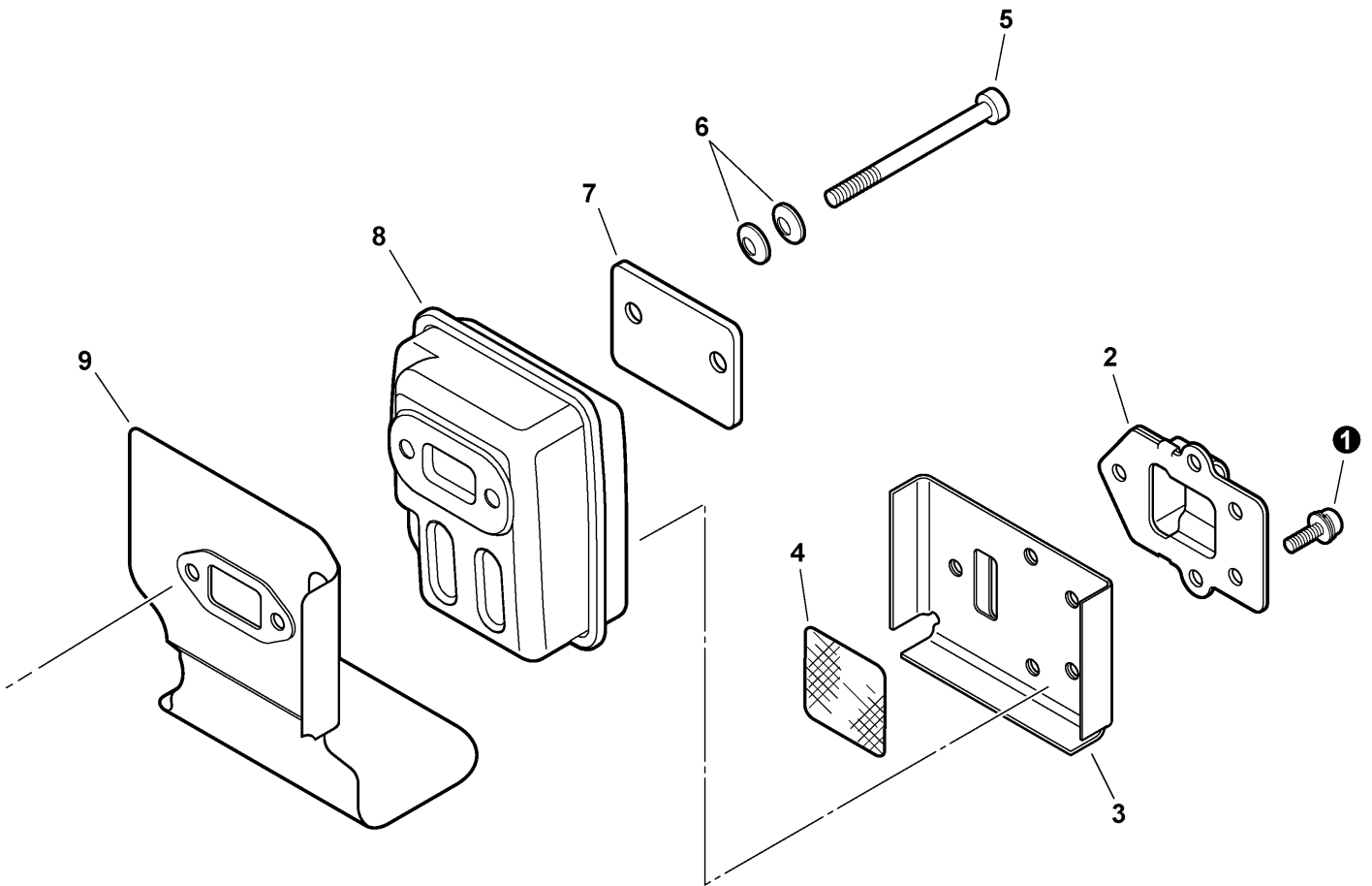


RBK57A 0000 000

ITEM	PART NUMBER	QTY	DESCRIPTION	REMARKS
	A021000061	1	CARBURETOR -- RB-K57A	
1	P005000360	1	ROTOR COVER ASY	
2	P005000120	1	NUT	
3	12534413931	3	SCREW	
4	P005000110	1	SCREW, CABLE ADJUST	
5	P005000180	1	SWIVEL	
6	P005000190	1	RING, RETAINING	
7	P005000100	1	SCREW, IDLE ADJUST	
8	P005000280	1	O-RING	
9	-----	1	BODY, CARBURETOR ¹	
10	P005000290	1	GUIDE, ROLLER	
11	P005000370	1	PLUG KIT	
12	P005000380	1	JET	
13	P005000240	1	BASE, PURGE	
14	P005000270	1	SCREW, PURGE BASE	
15	12538108660	1	BULB, PURGE	
16	P005000250	1	RETAINER, PURGE BULB	
17	P005000260	4	SCREW, PURGE BULB RETAINER	
18	12534252130	1	COVER, DIAPHRAGM	
19	12534452130	2	SCREW	
20	P005000020	1	SCREW, METERING LEVER PIN	
21	P005000350	1	REPAIR KIT	INCLUDES ITEMS 22-31
22	-----	1	PIN, METERING LEVER	
23	-----	1	VALVE, INLET NEEDLE	
24	-----	1	LEVER, METERING	
25	-----	1	SPRING, METERING LEVER	
26	-----	1	STRAINER	
27	-----	1	DIAPHRAGM, PUMP	
28	-----	1	GASKET, PUMP	
29	-----	1	DIAPHRAGM, SURGE	
30	-----	1	GASKET, DIAPHRAGM	
31	-----	1	DIAPHRAGM, METERING	
32	P005000340	1	DIAPHRAGM/GASKET KIT	INCLUDES ITEMS 33-37
33	-----	1	DIAPHRAGM, PUMP	
34	-----	1	GASKET, PUMP	
35	-----	1	DIAPHRAGM, SURGE	
36	-----	1	GASKET, DIAPHRAGM	
37	-----	1	DIAPHRAGM, METERING	

Footnotes

1: NOT AVAILABLE SEPARATELY

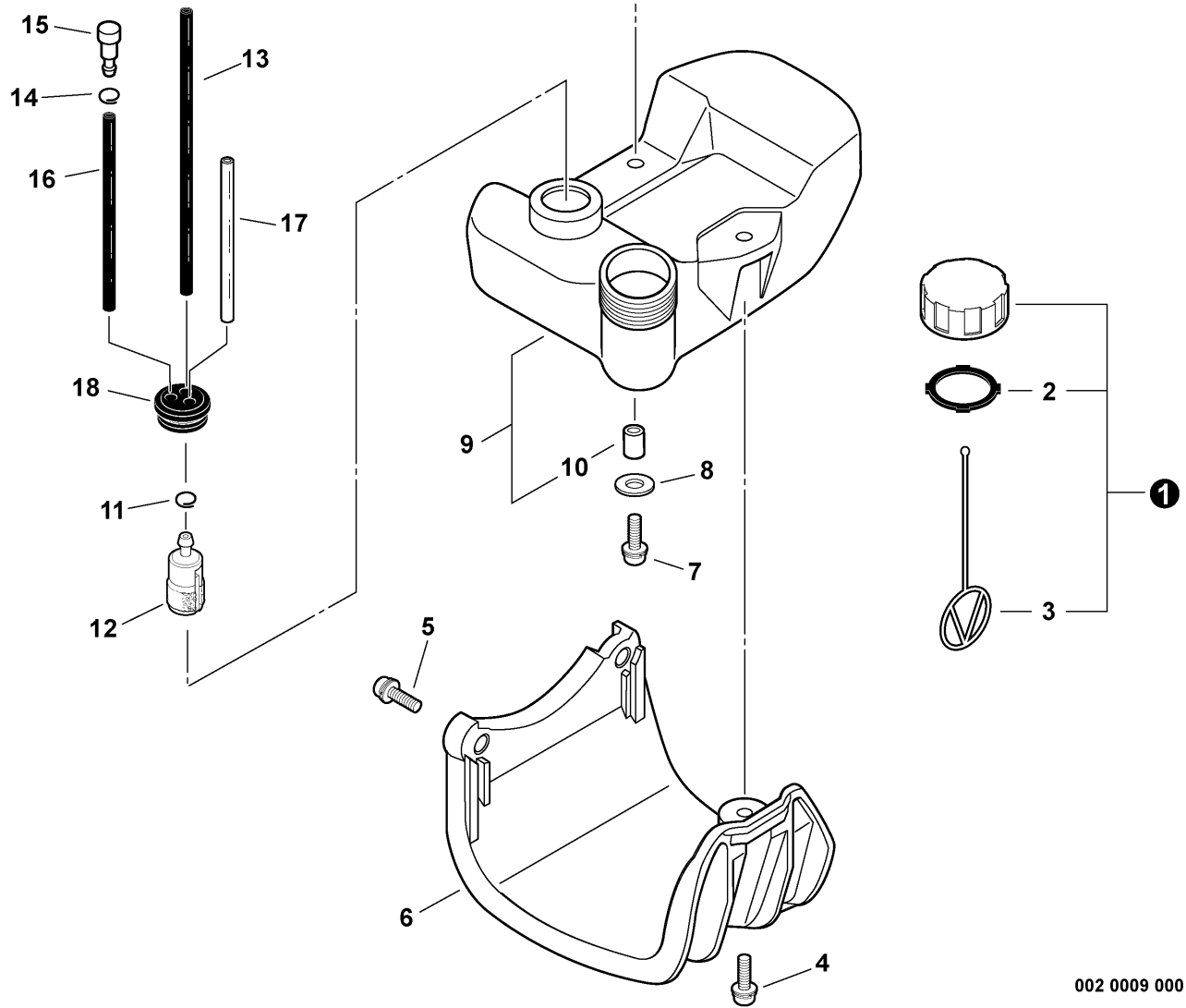


006 0019 000

ITEM	PART NUMBER	QTY	DESCRIPTION	REMARKS
1	9136704010	5	SCREW - 4X10	
2	A313000130	1	GUIDE, EXHAUST	
3	V104000360	1	GASKET, EXHAUST	
4	14586240630	1	SCREEN, SPARK ARRESTER	
5	90010505055	2	SCREW - 5X55	
6	V347000000	4	WASHER - CONICAL	
7	V150000371	1	PLATE	
8	A300000141	1	MUFFLER	
9	V104000061	1	SHIELD, EXHAUST ¹	

Footnotes

1: Also Included In GASKET KIT



002 0009 000

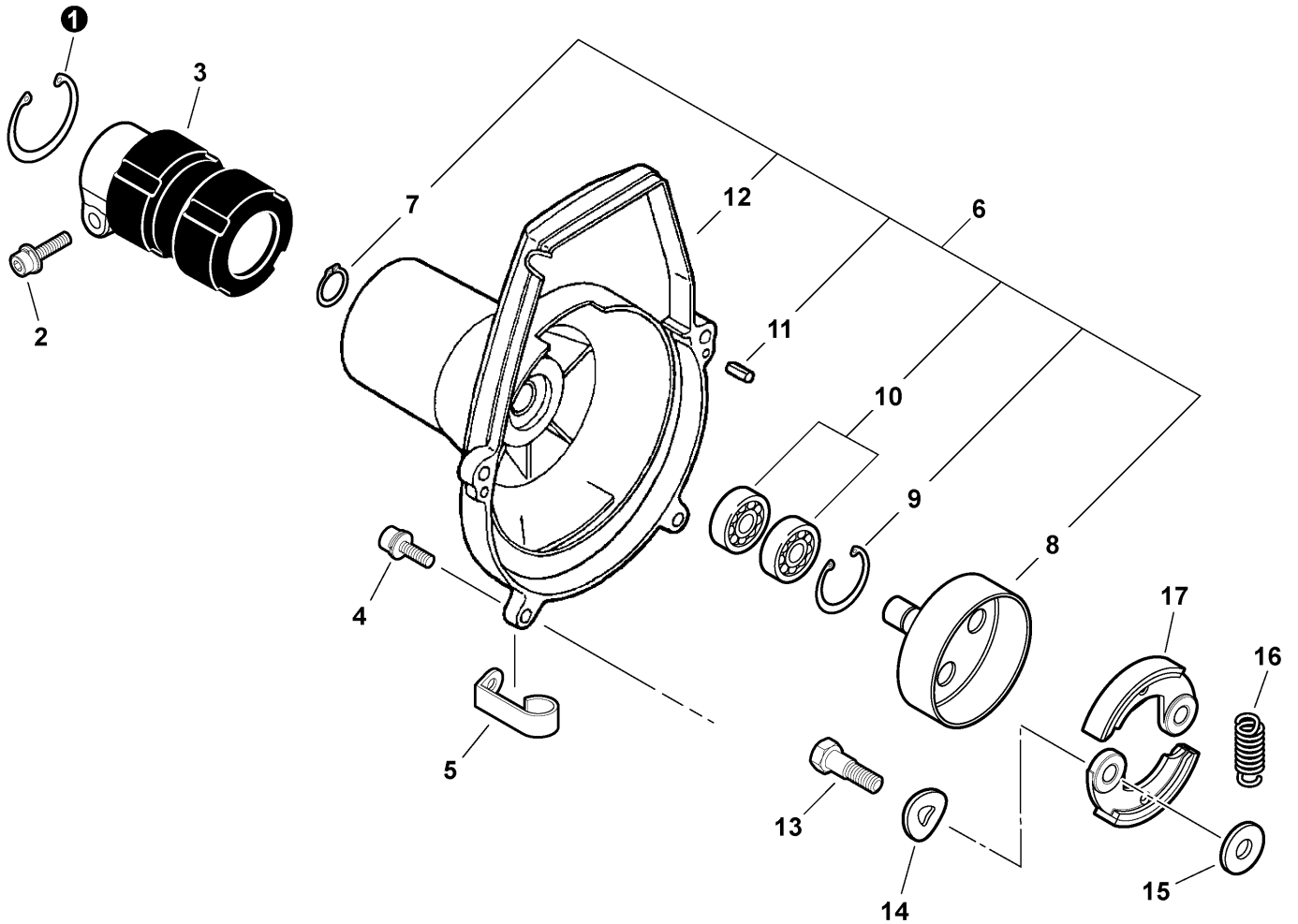
ITEM	PART NUMBER	QTY	DESCRIPTION	REMARKS
1	13100455530	1	CAP ASY - ORANGE	Includes ITEMS 2-3
2	13101655830	1	GASKET	
3	13105156030	1	CONNECTOR, CAP	
4	90024405020	1	SCREW - 5X20	
5	90016205022	2	SCREW - 5X22	
6	30511057733	1	GUARD, FUEL TANK	
7	90016205016	2	SCREW - 5X16	
8	90060300005	2	WASHER - 5	
9	A350000111	1	TANK, FUEL	Includes ITEM 10
10	13104528230	2	SLEEVE	
11	13201326630	2	CLIP	
12	13120519831	1	FILTER, FUEL ¹	
13	13201052030	1	PIPE, FUEL - 3X6X170 ²	
14	13201326630	2	CLIP	
15	A356000030	1	VENT ASY	
16	V471000110	1	PIPE - 3X6X115 ²	
17	13201256030	1	PIPE, RETURN - 3X6X80 ³	
18	13211555930	1	GROMMET	

Footnotes

1: Also Included In REPOWER TUNE-UP KIT

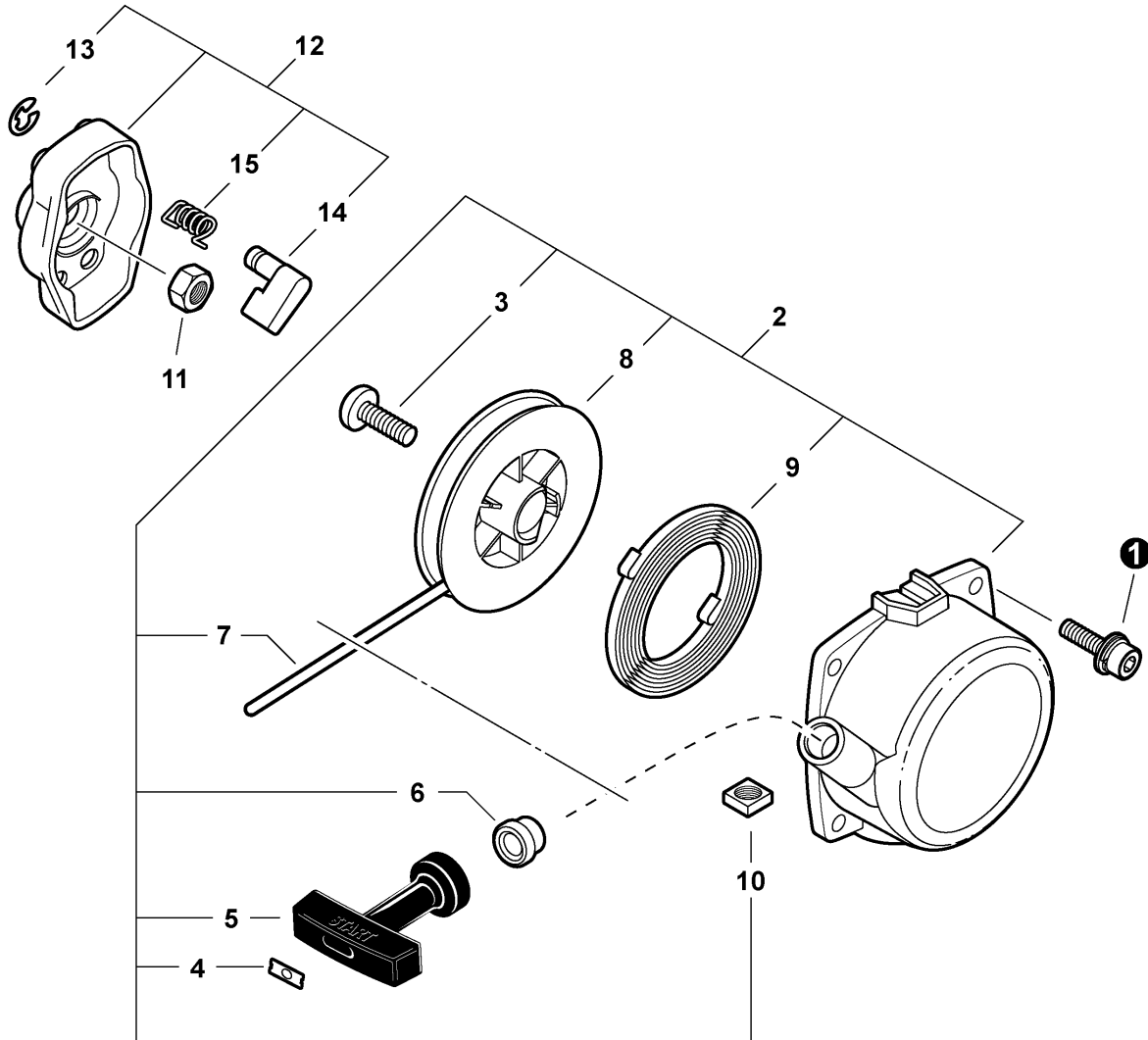
2: RePower BULK OPTION: 90015

3: RePower BULK OPTION: 90017



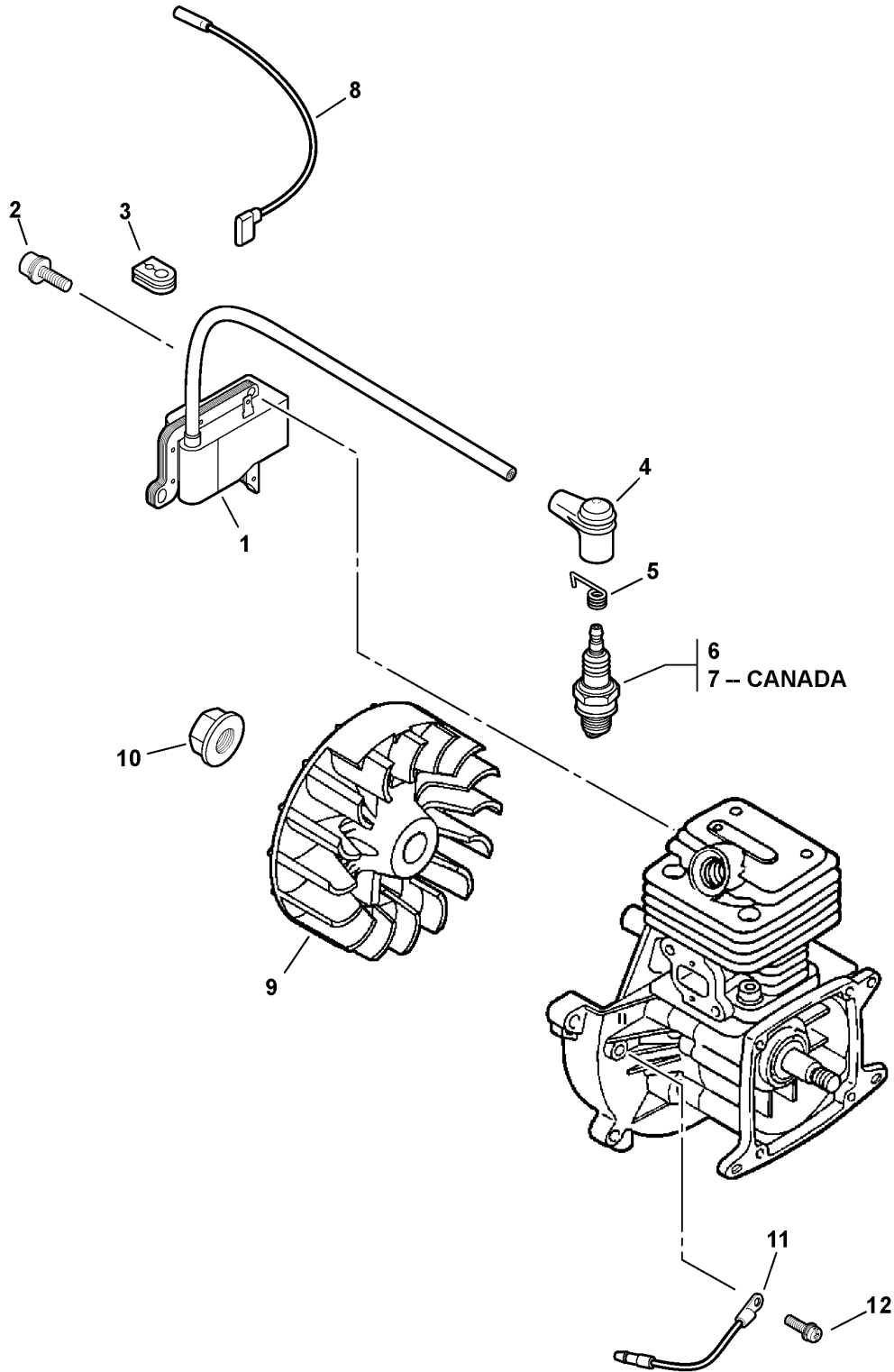
003 0009 000

ITEM	PART NUMBER	QTY	DESCRIPTION	REMARKS
1	90070200042	1	RING, RETAINING - 42	
2	90016205028	1	SCREW - 5X28	
3	61092255931	1	HOLDER, MAIN PIPE	
4	90016205018	2	SCREW - 5X18	
5	17811106230	1	CLAMP	
6	P021001410	1	FAN CASE ASY - GRAY	Includes ITEMS 7-12
7	90070100012	1	RING, RETAINING - 12	
8	A556000030	1	DRUM, CLUTCH	
9	90070200028	1	RING, RETAINING - 28	
10	90080796001	2	BEARING, BALL - 6001	
11	V622000020	2	PIN, DOWEL	
12	A172000030	1	CASE, FAN - GRAY	
13	17504656030	2	BOLT, CLUTCH	
14	17504956030	2	WASHER - SPRING	
15	17504805530	2	WASHER - 6	
16	V451000090	1	SPRING, CLUTCH	
17	A553000010	2	SHOE, CLUTCH	



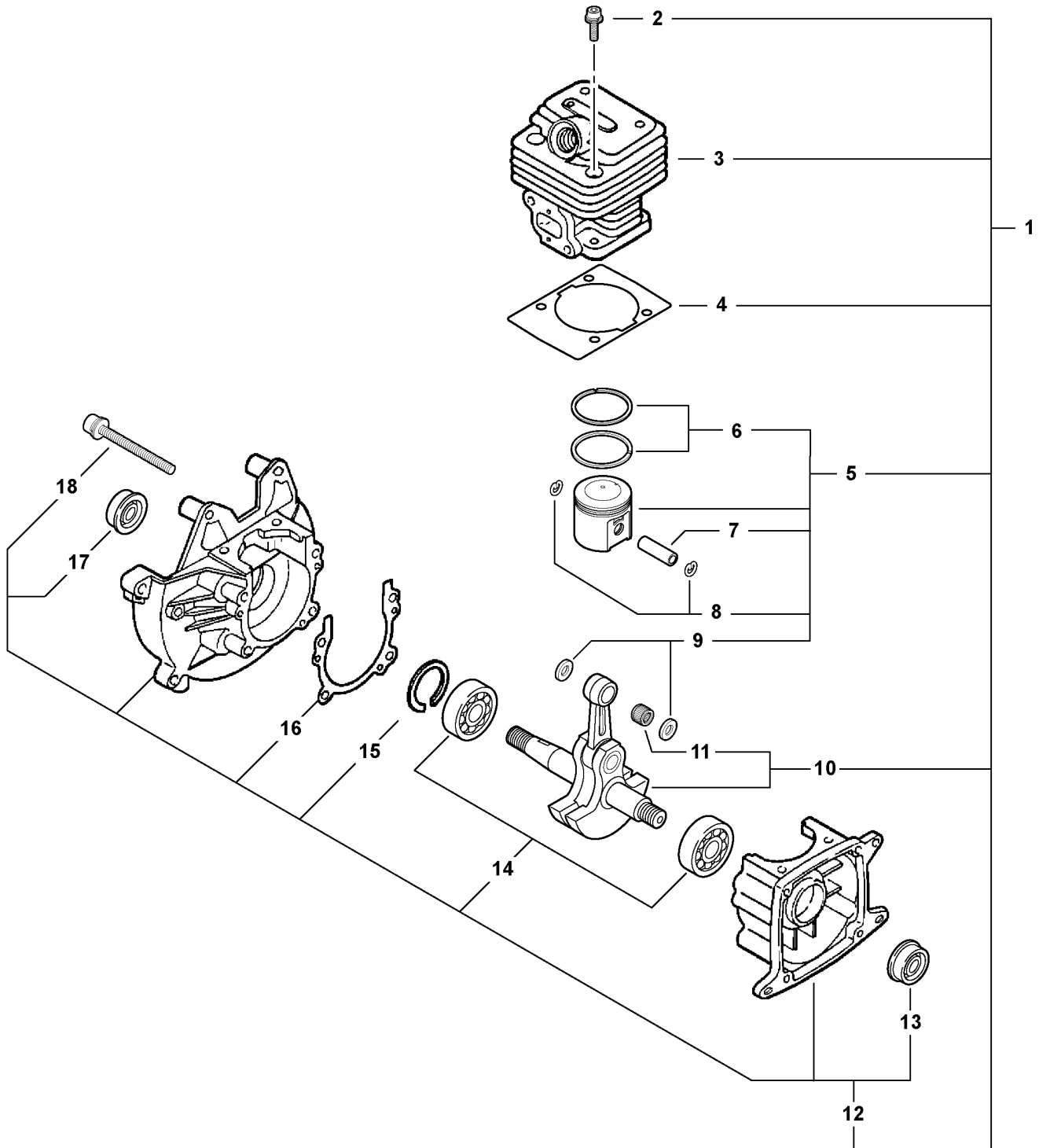
004 0027 000

ITEM	PART NUMBER	QTY	DESCRIPTION	REMARKS
1	9112604012	4	SCREW - 4X12	
2	17720055931	1	STARTER ASY	Includes ITEMS 3-10
3	17723644330	1	SCREW	
4	17724611120	1	RETAINER, ROPE	
5	17722827030	1	GRIP, STARTER	
6	17722742030	1	GUIDE, ROPE	
7	17722603930	1	ROPE, STARTER - 3.5X850	REPOWER BULK OPTION: 99944445000
8	17721540630	1	REEL, ROPE	
9	17722040630	1	SPRING, REWIND	
10	90056500005	1	NUT - 5 -- SQUARE	
11	90050200008	1	NUT - 8	
12	A052000030	1	STARTER PAWL ASY	Includes ITEMS 13-15
13	90070000004	2	RING, RETAINING - 4	
14	17721840630	2	PAWL, STARTER	
15	17723440630	2	SPRING, RETURN	



007 0013 000

ITEM	PART NUMBER	QTY	DESCRIPTION	REMARKS
1	A411000010	1	COIL, IGNITION	
2	90016205016	2	SCREW - 5X16	
3	15611240630	1	GROMMET	
4	15901203433	1	CAP, SPARK PLUG	
5	15901103432	1	TERMINAL, SPARK PLUG CAP	
6	99944500071	1	SPARK PLUG -- BPM-7Y	
7	15901010230	1	SPARK PLUG -- BPMR-7A	
8	16201056430	1	LEAD	
9	A4090000020	1	FLYWHEEL	
10	90051500008	1	NUT - 8 -- FLANGE	
11	16201452930	1	LEAD - GROUND	
12	90024205010	1	SCREW - 5X10	

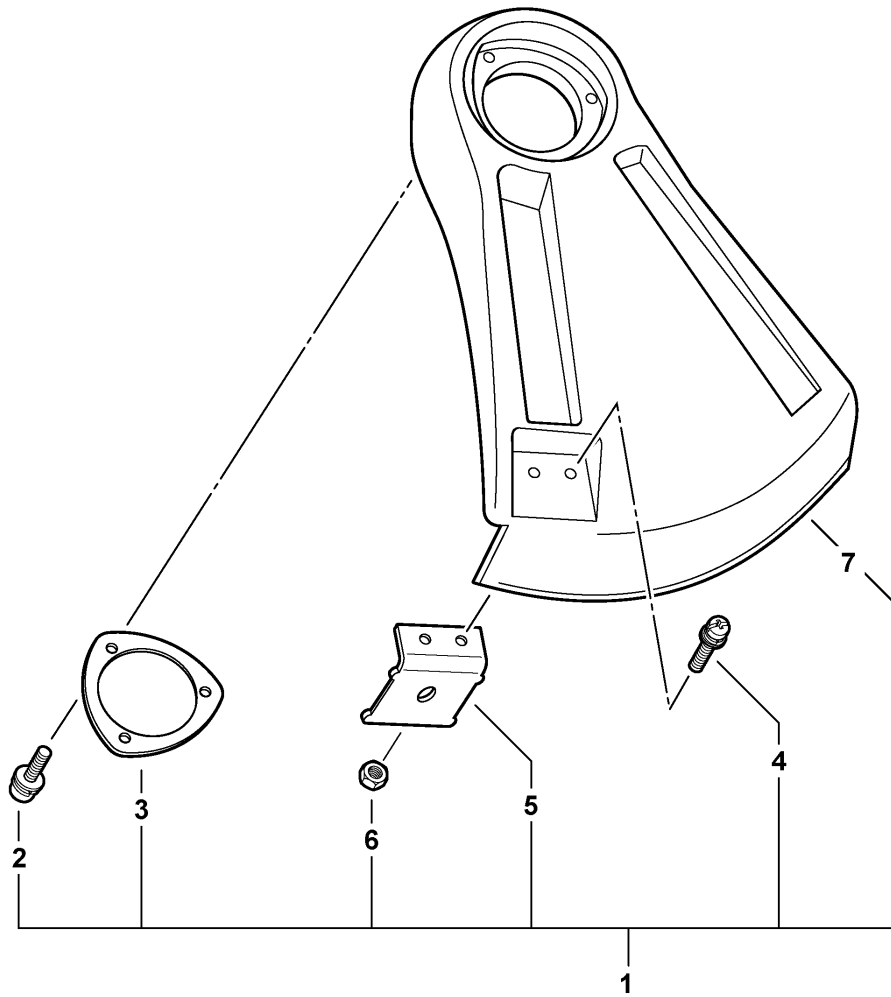


SB1045 0000 000

ITEM	PART NUMBER	QTY	DESCRIPTION	REMARKS
1	SB1045	1	SHORT BLOCK -- SB1045	INCLUDES ITEMS 2-18
2	90016205022	4	SCREW - 5X22	
3	A130000074	1	CYLINDER	
4	V100000010	1	GASKET, CYLINDER ¹	
5	P021000930	1	PISTON KIT	INCLUDES ITEMS 6-9
6	A101000000	2	RING, PISTON	
7	10001311520	1	PIN, PISTON	
8	10001504630	2	RING, RETAINING	
9	10001411520	2	SPACER, PISTON	
10	A011000042	1	CRANKSHAFT ASY	INCLUDES ITEM 11
11	V553000010	1	BEARING, NEEDLE - 8	
12	P021000940	1	CRANKCASE KIT	INCLUDES ITEMS 13-18
13	10021305530	1	SEAL, OIL	
14	90080036001	2	BEARING, BALL - 6001	
15	90070200028	1	RING, RETAINING - 28	
16	10024255930	1	GASKET, CRANKCASE ¹	
17	90016205025	4	SCREW - 5X25	
18	10021228230	1	SEAL, OIL	

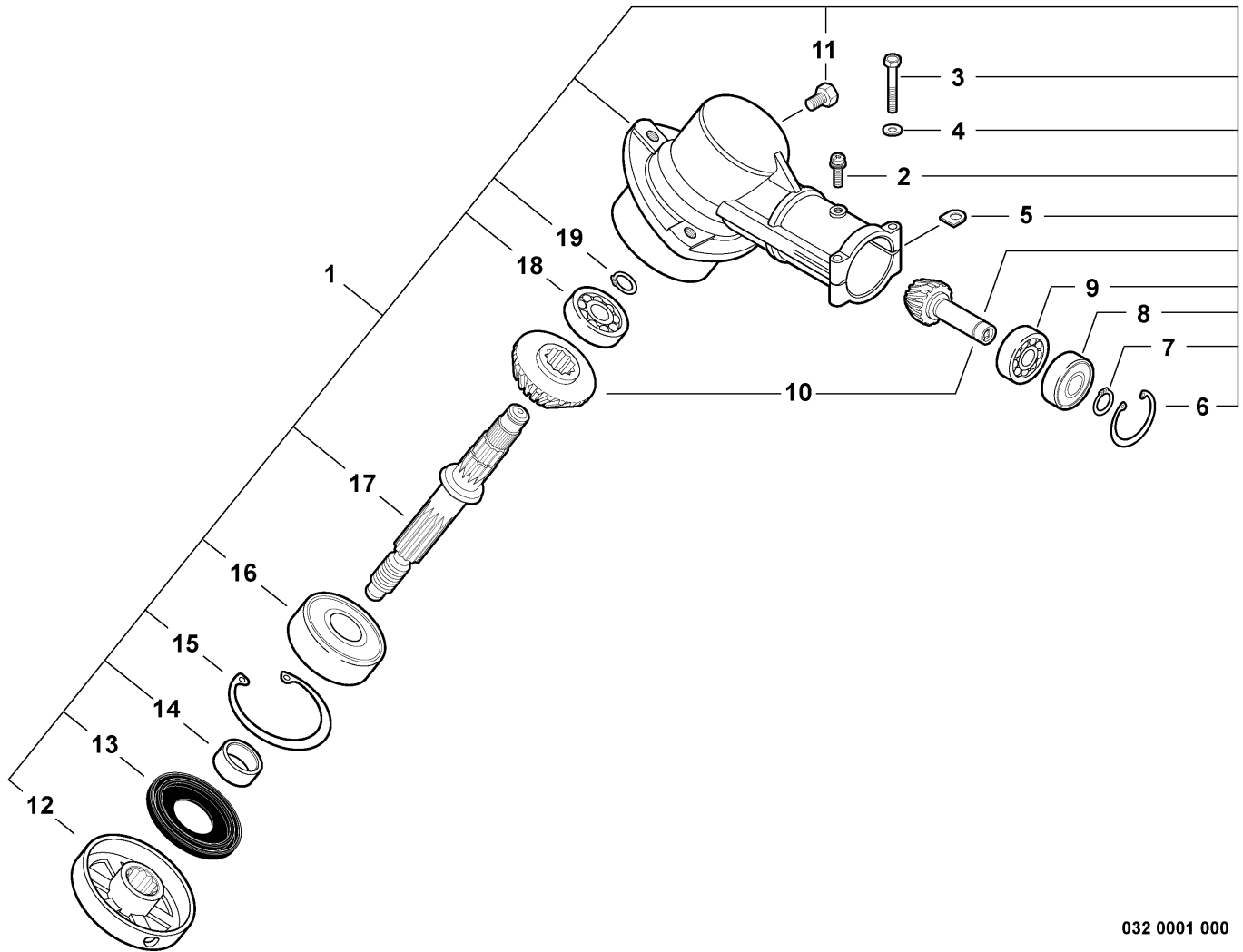
Footnotes

1: Also Included In GASKET KIT



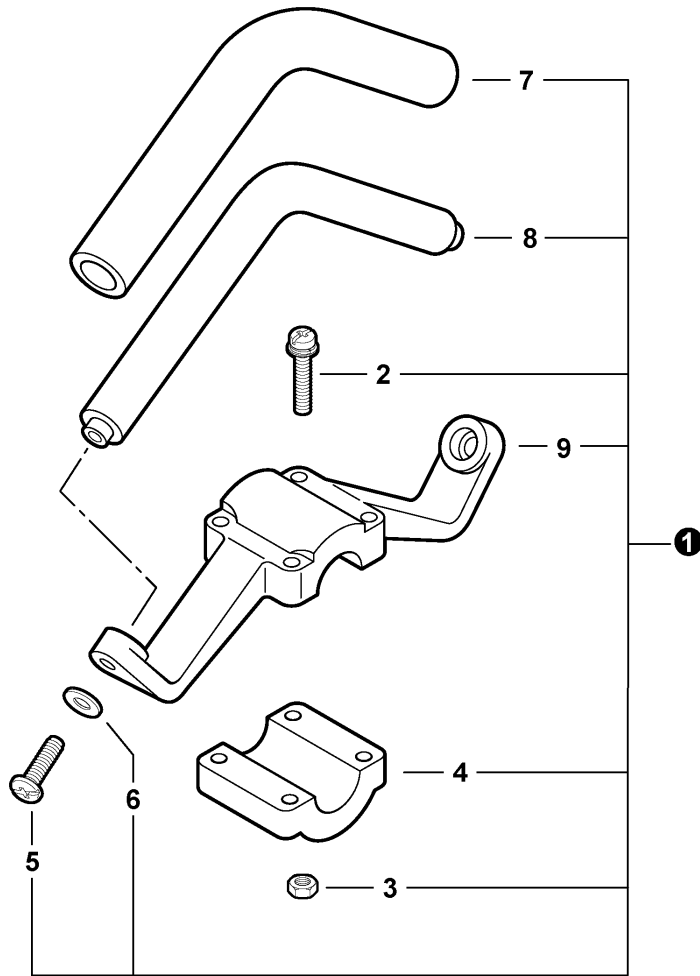
034 0006 000

ITEM	PART NUMBER	QTY	DESCRIPTION	REMARKS
1	P021001393	1	DEBRIS SHIELD KIT - PLASTIC	INCLUDES ITEMS 2-7
2	90023805016	3	SCREW - 5X16	
3	C552000110	1	PLATE, SHIELD	
4	90023805016	2	SCREW - 5X16	
5	69901644330	1	KNIFE, TRIMMER LINE	
6	90050000005	2	NUT	
7	C550000032	1	SHIELD, DEBRIS - PLASTIC	



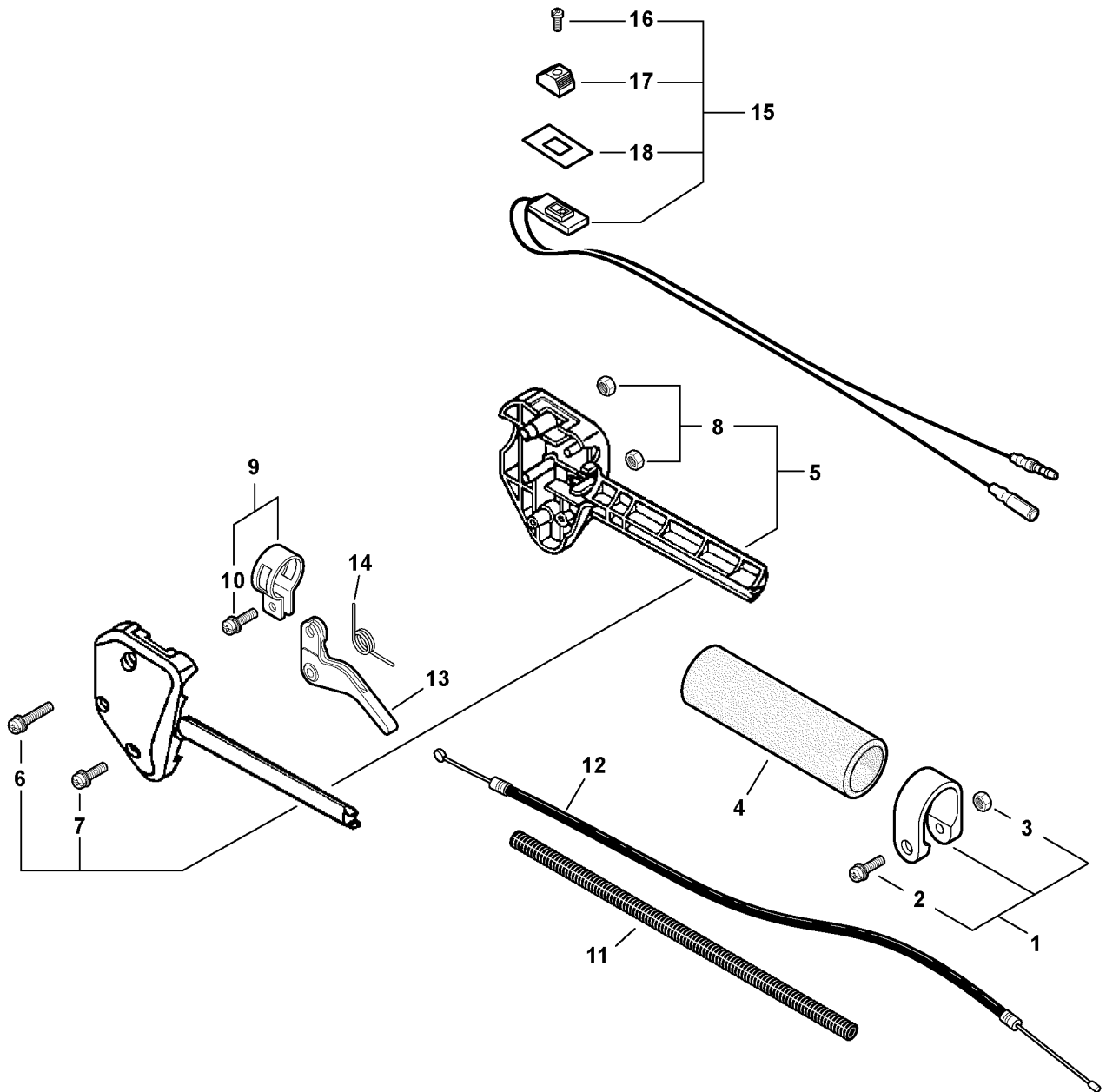
032 0001 000

ITEM	PART NUMBER	QTY	DESCRIPTION	REMARKS
1	61040247732	1	GEAR CASE ASY	INCLUDES ITEMS 2-20
2	90024205010	1	SCREW - 5X10	
3	90010005035	2	BOLT - 5X35	
4	90060000005	2	WASHER	
5	61023904130	2	WASHER, SHIM	
6	90070200022	1	RING, RETAINING - 22	
7	90070600010	1	RING, RETAINING - 10	
8	90085806900	1	BEARING, BALL - 6900Z	
9	90085506900	1	BEARING, BALL - 6900	
10	61030044830	1	GEAR SET - BEVEL	
11	61043450031	1	BOLT - 8X8	
12	61031347731	1	PLATE, ADAPTER - UPPER	
13	61041307130	1	SEAL, OIL	
14	61031507130	1	SPACER	
15	90070200032	1	RING, RETAINING - 32	
16	9403536201	1	BEARING, BALL - 6201	
17	61036008931	1	GEAR, SHAFT	
18	90080000609	1	BEARING, BALL - 609	
19	90070600012	1	RING, RETAINING - 12	



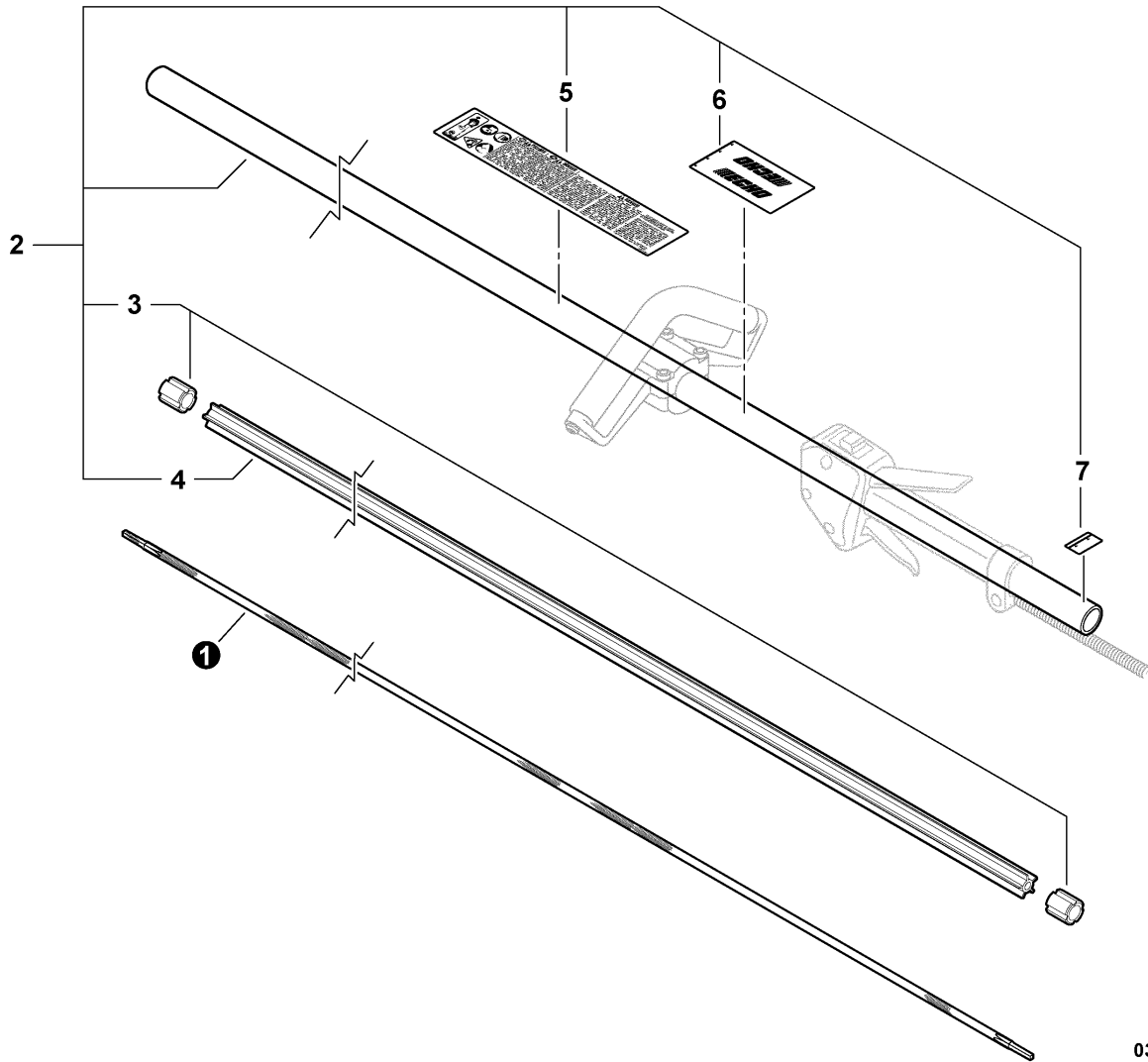
030 0014 00D

ITEM	PART NUMBER	QTY	DESCRIPTION	REMARKS
1	P021000021	1	FRONT HANDLE ASY	INCLUDES ITEMS 2-9
2	90024205035	4	SCREW 5X35	
3	90050000005	4	NUT	
4	35122507130	1	BRACKET, HANDLE - LOWER	
5	90025305020	2	SCREW - 5X20 -- TAPPING	
6	90060000005	2	WASHER	
7	35121666230	1	GRIP, HANDLE	
8	35120566230	1	HANDLE - FRONT	
9	35123266230	1	BRACKET, HANDLE - UPPER	



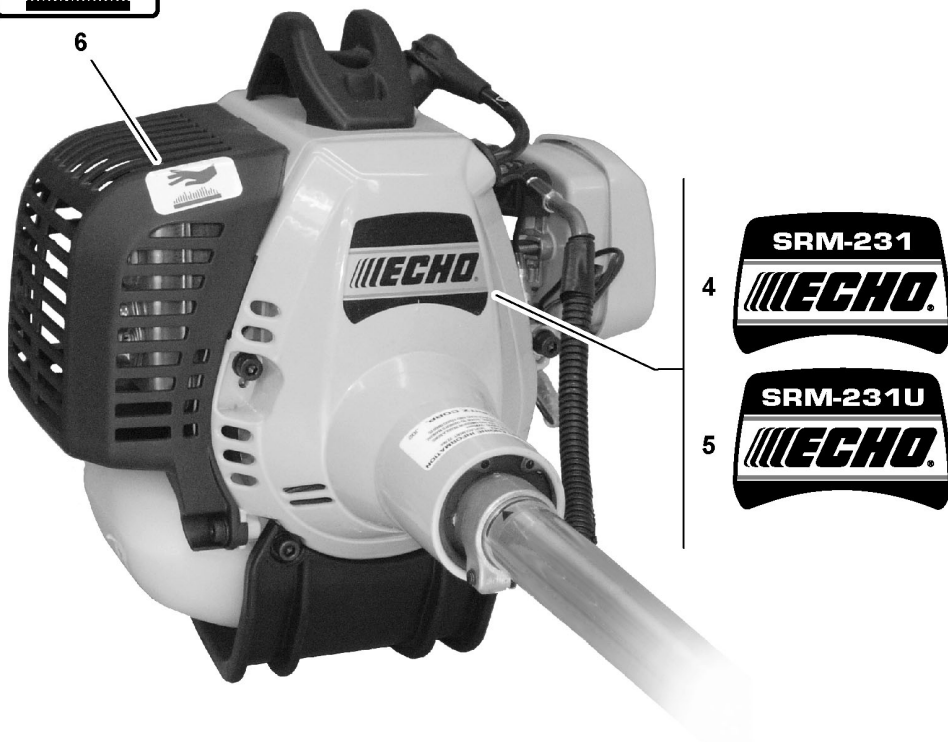
030 0006 000

ITEM	PART NUMBER	QTY	DESCRIPTION	REMARKS
1	61027252130	1	CLAMP KIT	INCLUDES ITEMS 2-3
2	90024205028	1	SCREW - 5X28	
3	90050000005	1	NUT	
4	35121352130	1	GRIP, HANDLE	
5	17800352130	1	CONTROL HANDLE KIT	INCLUDES ITEMS 6-8
6	90024205035	1	SCREW 5X35	
7	90024205025	2	SCREW - 5X25	
8	90050000005	2	NUT	
9	30120029430	1	CLAMP KIT	INCLUDES ITEM 10
10	90024205014	1	SCREW - 5X14	
11	V475000850	1	TUBE, PROTECTIVE - CORRUGATED	
12	17800156530	1	CABLE, THROTTLE	
13	17801052130	1	TRIGGER, THROTTLE	
14	17804342230	1	SPRING, TRIGGER	
15	A440000280	1	IGNITION SWITCH ASY	INCLUDES ITEMS 16-18
16	9154503010	1	SCREW - 3X10	
17	16341049231	1	KNOB, SWITCH - ORANGE	
18	89015712330	1	COVER, SWITCH - STOP	



031 0005 000

ITEM	PART NUMBER	QTY	DESCRIPTION	REMARKS
1	61001344730	1	DRIVESHAFT - FLEXIBLE	
2	C050001090	1	MAIN PIPE ASY	INCLUDES ITEMS 2-7
3	61024644730	1	STOPPER	
4	C507000260	1	LINER - FLEXIBLE	
5	X505002500	1	LABEL - CAUTION	
6	X505001930	1	LABEL - HANDLE LOCATION	
7	89015204930	1	LABEL - ALIGNMENT	



100 0036 00B

ITEM	PART NUMBER	QTY	DESCRIPTION	REMARKS
1	89012152730	1	LABEL - CHOKE	
2	89033252730	1	LABEL - CHOKE	CANADA MODELS
3	X502000310	1	LABEL - ECHO	
4	X503001140	1	LABEL - MODEL -- SRM-231	
5	X503001630	1	LABEL - MODEL -- SRM-231U	
6	X505002310	1	LABEL - CAUTION -- HOT	

Use Gasket Kit	Contains:	Service Number	Description
P021002600		10024255930	GASKET, CRANKCASE
		13001013410	GASKET, INTAKE
		13001055930	GASKET, INTAKE
		V100000010	GASKET, CYLINDER
		V103000060	GASKET, INTAKE
		V104000012	GASKET, EXHAUST
		V104000033	GASKET, EXHAUST
		V104000061	GASKET, EXHAUST

300 0006 000

<u>ITEM</u>	<u>PART NUMBER</u>	<u>QTY</u>	<u>DESCRIPTION</u>	<u>REMARKS</u>
1	P021002600	1	GASKET KIT	



Part Number Index

Click The Page Number After Any Part Number To View The Diagram Containing That Part.

Part Number	Page	Part Number	Page	Part Number	Page
-----	7, 9	69901644330	23	P005000110	9
10001311520	21	89012152730	33	P005000120	9
10001411520	21	89015204930	31	P005000180	9
10001504630	21	89015712330	29	P005000190	9
10021228230	21	89033252730	33	P005000240	9
10021305530	21	90010005035	25	P005000250	9
10024255930	21	90010505055	11	P005000260	9
12534252130	9	90010605012	5	P005000270	9
12534413931	9	90016205016	13, 19	P005000280	9
12534452130	9	90016205018	15	P005000290	9
12538108660	9	90016205022	13, 21	P005000340	9
12901152730	7	90016205025	7, 21	P005000350	9
13001013410	7	90016205028	15	P005000360	9
13001055930	7	90023805016	23	P005000370	9
13001756431	7	90024205010	19, 25	P005000380	9
13031054130	7	90024205014	29	P021000021	27
13031305863	7	90024205025	29	P021000930	21
13031306563	7	90024205028	29	P021000940	21
13100455530	13	90024205035	27, 29	P021000991	7
13101655830	13	90024205060	7	P021001393	23
13104528230	13	90024405020	13	P021001410	15
13105156030	13	90025305020	27	P021002600	35
13120519831	13	90050000005	23, 27, 29	P021004480	7
13201052030	13	90050200008	17	SB1045	21
13201256030	13	90051500008	19	V100000010	21
13201326630	13	90056500005	17	V104000061	11
13211555930	13	90060000005	25, 27	V104000360	11
14586240630	11	90060300005	13	V150000371	11
15611240630	19	90070000004	17	V347000000	11
15901010230	19	90070100012	15	V353000020	5
15901103432	19	90070200022	25	V451000090	15
15901203433	19	90070200028	15, 21	V471000110	13
16201056430	19	90070200032	25	V475000850	29
16201452930	19	90070200042	15	V553000010	21
16341049231	29	90070600010	25	V622000020	15
17504656030	15	90070600012	25	X502000310	33
17504805530	15	90080000609	25	X503001140	33
17504956030	15	90080036001	21	X503001630	33
17720055931	17	90080796001	15	X505001930	31
17721540630	17	90085506900	25	X505002310	33
17721840630	17	90085806900	25	X505002500	31
17722040630	17	9111005016	5		
17722603930	17	9112604012	17		
17722742030	17	9136704010	11		
17722827030	17	9154503010	29		
17723440630	17	9403536201	25		
17723644330	17	99944500071	19		
17724611120	17	A011000042	21		
17800156530	29	A021000061	9		
17800352130	29	A052000030	17		
17801052130	29	A101000000	21		
17804342230	29	A130000074	21		
17811106230	15	A160000040	5		
21041752730	7	A160000060	5		
30120029430	29	A162000000	5		
30511057733	13	A172000030	15		
35120566230	27	A226001410	7		
35121352130	29	A300000141	11		
35121666230	27	A313000130	11		
35122507130	27	A320000003	5		
35123266230	27	A350000111	13		
61001344730	31	A356000030	13		
61023904130	25	A409000020	19		
61024644730	31	A411000010	19		
61027252130	29	A440000280	29		
61030044830	25	A553000010	15		
61031347731	25	A556000030	15		
61031507130	25	C050001090	31		
61036008931	25	C507000260	31		
61040247732	25	C550000032	23		
61041307130	25	C552000110	23		
61043450031	25	P005000020	9		
61092255931	15	P005000100	9		



Part Description Index

Click The Page Number After Any Part Description To View The Diagram Containing That Part.

B

BASE, PURGE.....9
 BEARING, BALL - 6001.....15, 21
 BEARING, BALL - 609.....25
 BEARING, BALL - 6201.....25
 BEARING, BALL - 6900.....25
 BEARING, BALL - 6900Z.....25
 BEARING, NEEDLE - 8.....21
 BODY, CARBURETOR.....9
 BOLT - 5X35.....25
 BOLT - 8X8.....25
 BOLT, CLUTCH.....15
 BRACKET, HANDLE - LOWER.....27
 BRACKET, HANDLE - UPPER.....27
 BULB, PURGE.....9

C

CABLE, THROTTLE.....29
 CAP ASY - ORANGE.....13
 CAP, SPARK PLUG.....19
 CARBURETOR.....7
 CARBURETOR -- RB-K57A.....9
 CASE, AIR CLEANER - BLACK.....7
 CASE, AIR CLEANER - GRAY.....7
 CASE, FAN - GRAY.....15
 CLAMP.....15
 CLAMP KIT.....29
 CLIP.....13
 COIL, IGNITION.....19
 COLLAR - 5.....5
 CONNECTOR, CAP.....13
 CONTROL HANDLE KIT.....29
 COVER, AIR CLEANER - BLACK.....7
 COVER, AIR CLEANER - GRAY.....7
 COVER, DIAPHRAGM.....9
 COVER, ENGINE - GRAY.....5
 COVER, ENGINE - ORANGE.....5
 COVER, EXHAUST.....5
 COVER, SWITCH - STOP.....29
 CRANKCASE KIT.....21
 CRANKSHAFT ASY.....21
 CYLINDER.....21

D

DEBRIS SHIELD KIT - PLASTIC.....23
 DIAPHRAGM, METERING.....9
 DIAPHRAGM, PUMP.....9
 DIAPHRAGM, SURGE.....9
 DIAPHRAGM/GASKET KIT.....9
 DRIVESHAFT - FLEXIBLE.....31
 DRUM, CLUTCH.....15

F

FAN CASE ASY - GRAY.....15
 FILTER, AIR - DOUBLE LAYER.....7
 FILTER, AIR - SINGLE LAYER.....7
 FILTER, FUEL.....13
 FLYWHEEL.....19
 FRONT HANDLE ASY.....27

G

GASKET.....13
 GASKET KIT.....35

GASKET, CRANKCASE.....21
 GASKET, CYLINDER.....21
 GASKET, DIAPHRAGM.....9
 GASKET, EXHAUST.....11
 GASKET, INTAKE.....7
 GASKET, PUMP.....9
 GEAR CASE ASY.....25
 GEAR SET - BEVEL.....25
 GEAR, SHAFT.....25
 GRIP, HANDLE.....27, 29
 GRIP, STARTER.....17
 GROMMET.....13, 19
 GUARD, FUEL TANK.....13
 GUARD, TOP.....5
 GUIDE, EXHAUST.....11
 GUIDE, ROLLER.....9
 GUIDE, ROPE.....17

H

HANDLE - FRONT.....27
 HOLDER, MAIN PIPE.....15

I

IGNITION SWITCH ASY.....29
 INSULATOR, INTAKE.....7

J

JET.....9

K

KNIFE, TRIMMER LINE.....23
 KNOB, SWITCH - ORANGE.....29

L

LABEL - ALIGNMENT.....31
 LABEL - CAUTION.....31
 LABEL - CAUTION -- HOT.....33
 LABEL - CHOKE.....33
 LABEL - ECHO.....33
 LABEL - HANDLE LOCATION.....31
 LABEL - MODEL -- SRM-231.....33
 LABEL - MODEL -- SRM-231U.....33
 LEAD.....19
 LEAD - GROUND.....19
 LEVER, METERING.....9
 LINER - FLEXIBLE.....31

M

MAIN PIPE ASY.....31
 MUFFLER.....11

N

NUT.....9, 23, 27, 29
 NUT - 5 -- SQUARE.....17
 NUT - 8.....17
 NUT - 8 -- FLANGE.....19

O

O-RING.....9

P

PAWL, STARTER.....17

PIN, DOWEL.....15
 PIN, METERING LEVER.....9
 PIN, PISTON.....21
 PIPE - 3X6X115.....13
 PIPE, FUEL - 3X6X170.....13
 PIPE, RETURN - 3X6X80.....13
 PISTON KIT.....21
 PLATE.....11
 PLATE, ADAPTER - UPPER.....25
 PLATE, PREVENT.....7
 PLATE, SHIELD.....23
 PLUG KIT.....9

R

REEL, ROPE.....17
 REPAIR KIT.....9
 RETAINER, PURGE BULB.....9
 RETAINER, ROPE.....17
 RING, PISTON.....21
 RING, RETAINING.....9, 21
 RING, RETAINING - 10.....25
 RING, RETAINING - 12.....15, 25
 RING, RETAINING - 22.....25
 RING, RETAINING - 28.....15, 21
 RING, RETAINING - 32.....25
 RING, RETAINING - 4.....17
 RING, RETAINING - 42.....15
 ROPE, STARTER - 3.5X850.....17
 ROTOR COVER ASY.....9

S

SCREEN, SPARK ARRESTER.....11
 SCREW.....9, 17
 SCREW - 3X10.....29
 SCREW - 4X10.....11
 SCREW - 4X12.....17
 SCREW - 5X10.....19, 25
 SCREW - 5X12.....5
 SCREW - 5X14.....29
 SCREW - 5X16.....5, 13, 19, 23
 SCREW - 5X18.....15
 SCREW - 5X20.....13
 SCREW - 5X20 -- TAPPING.....27
 SCREW - 5X22.....13, 21
 SCREW - 5X25.....7, 21, 29
 SCREW - 5X28.....15, 29
 SCREW - 5X55.....11
 SCREW - 5X60.....7
 SCREW 5X35.....27, 29
 SCREW, CABLE ADJUST.....9
 SCREW, IDLE ADJUST.....9
 SCREW, METERING LEVER PIN.....9
 SCREW, PURGE BASE.....9
 SCREW, PURGE BULB RETAINER.....9
 SEAL, OIL.....21, 25
 SHIELD, DEBRIS - PLASTIC.....23
 SHIELD, EXHAUST.....11
 SHOE, CLUTCH.....15
 SHORT BLOCK -- SB1045.....21
 SLEEVE.....13
 SPACER.....25
 SPACER, PISTON.....21
 SPARK PLUG -- BPM-7Y.....19
 SPARK PLUG -- BPMR-7A.....19
 SPRING, CLUTCH.....15



Part Description Index (continued)

SPRING, METERING LEVER.....9
SPRING, RETURN.....17
SPRING, REWIND.....17
SPRING, TRIGGER.....29
STARTER ASY.....17
STARTER PAWL ASY.....17
STOPPER.....31
STRAINER.....9
SWIVEL.....9

T

TANK, FUEL.....13
TERMINAL, SPARK PLUG CAP.....19
THUMBSCREW.....7
TRIGGER, THROTTLE.....29
TUBE, PROTECTIVE - CORRUGATED.....29

V

VALVE, INLET NEEDLE.....9
VENT ASY.....13

W

WASHER.....25, 27
WASHER - 5.....13
WASHER - 6.....15
WASHER - CONICAL.....11
WASHER - SPRING.....15
WASHER, SHIM.....25

NOTES



ECHO, INCORPORATED

400 Oakwood Road
Lake Zurich, IL 60047 USA

WWW.ECHO-USA.COM
