



PARTS CATALOG

99944200560

ProThatch Attachment

PAS Attachment

Fits Models

PAS-225	Pro Attachment Series
PAS-230	Pro Attachment Series
PAS-231	Pro Attachment Series
PAS-2400	Pro Attachment Series
PAS-260	Pro Attachment Series
PAS-2601	Pro Attachment Series
PAS-261	Pro Attachment Series
SRM-225SB	Split-Shaft Trimmer
SRM-2400SB	Split-Shaft Trimmer
SRM-260SB	Split-Shaft Trimmer
SRM-261SB	Split-Shaft Trimmer

ECHO, INCORPORATED

400 Oakwood Road Lake Zurich, Illinois 60047 USA

WWW.ECHO-USA.COM



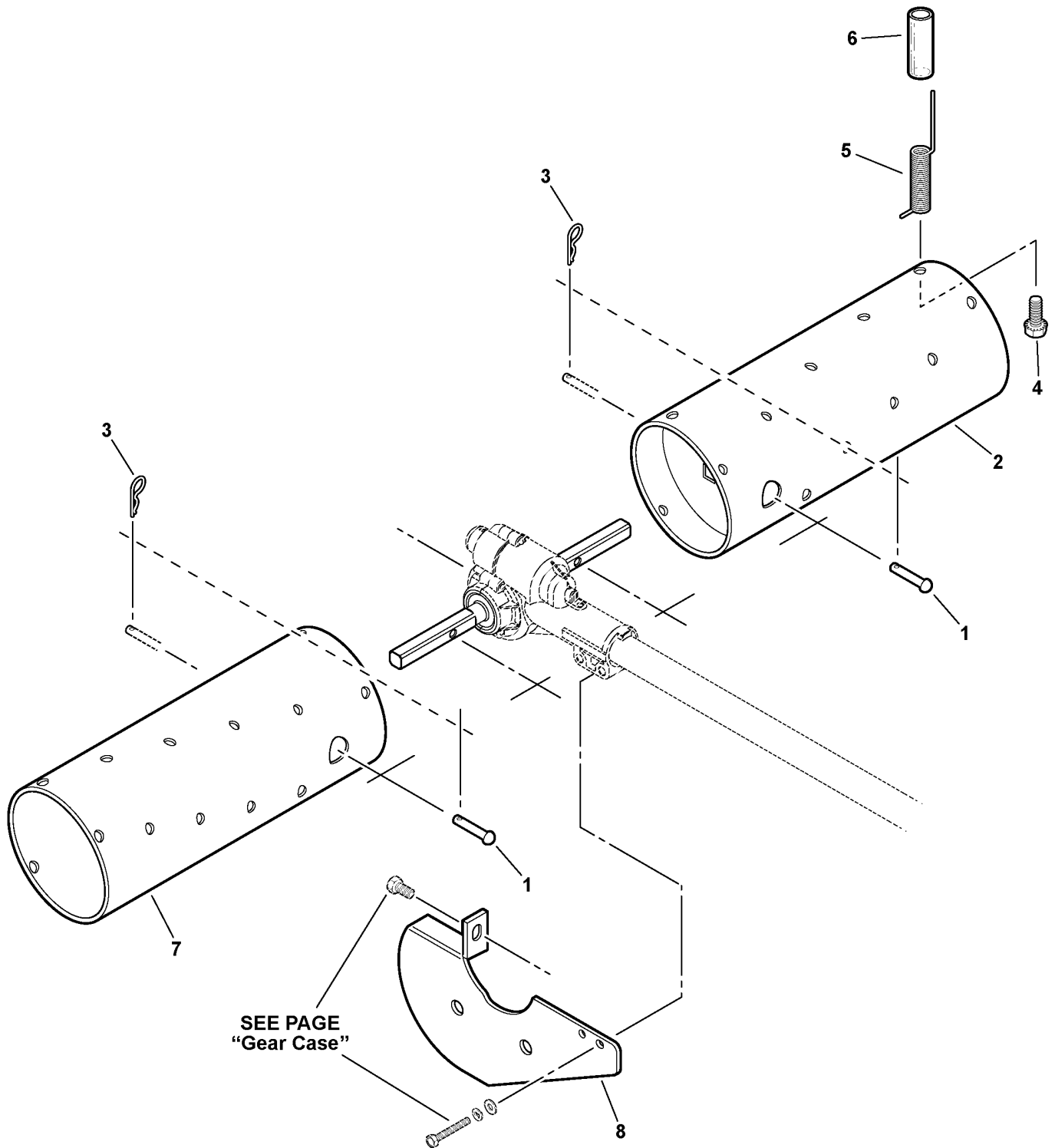
Table of Contents

Click Any Diagram Description Below To View That Diagram.

99944200560 ProThatch Attachment

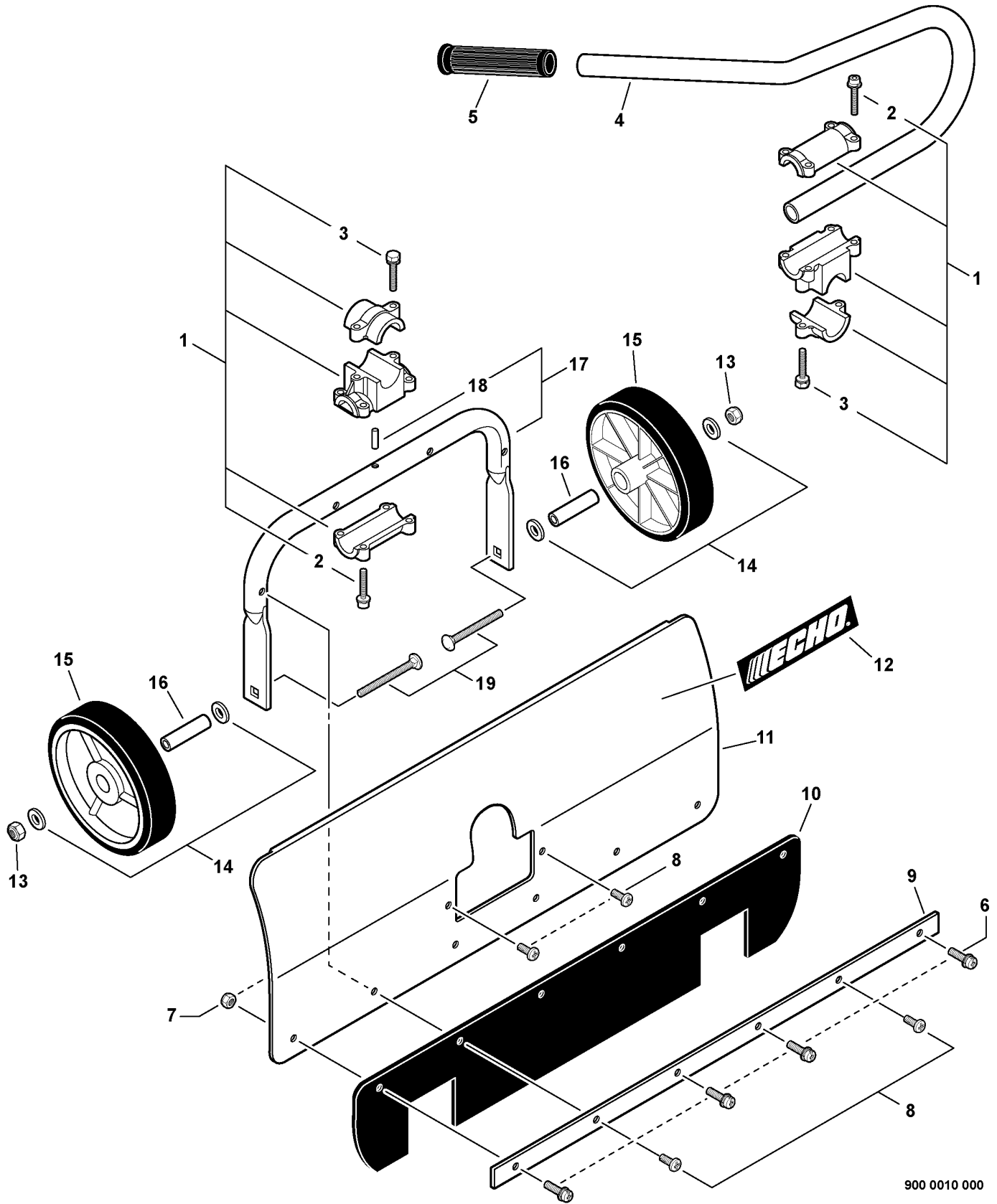
Thatching Drums.....	4
Handle, Shield.....	6
Gear Case.....	8
Main Pipe Assembly.....	10
Part Number Index.....	12
Part Description Index.....	13

This Page Intentionally Left Blank



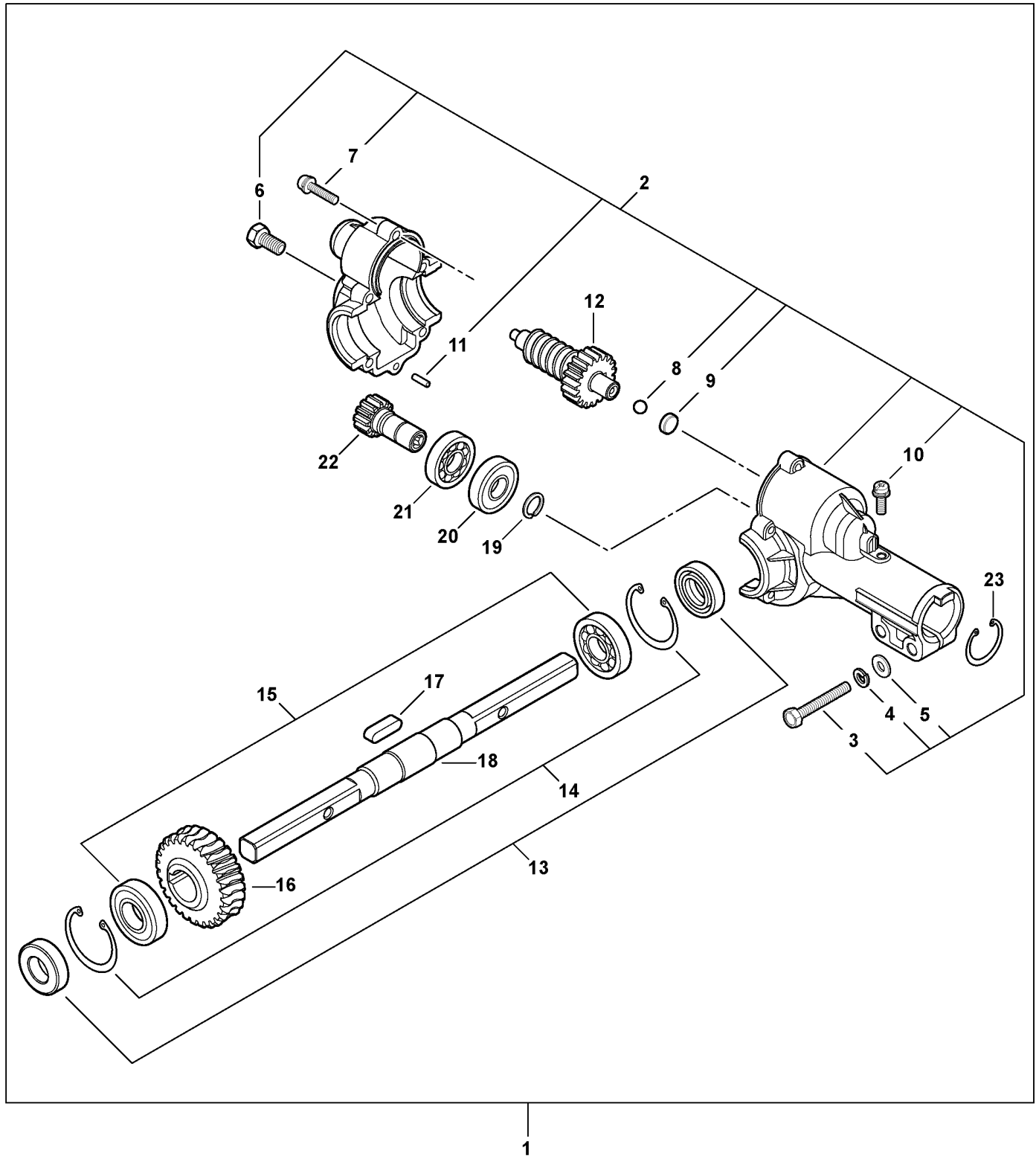
900 0011 000

ITEM	PART NUMBER	QTY	DESCRIPTION	REMARKS
1	60561111050	2	CLEVIS PIN	
2	69633425660	1	DRUM - RIGHT	
3	60561211050	2	HAIRPIN COTTER	
4	88995325560	44	BOLT	
5	61004725560	44	SPRING, THATCHING	
6	21001325560	44	COVER, DEBRIS	
7	69633525560	1	DRUM - LEFT	
8	69411325561	1	GUIDE, GRASS	



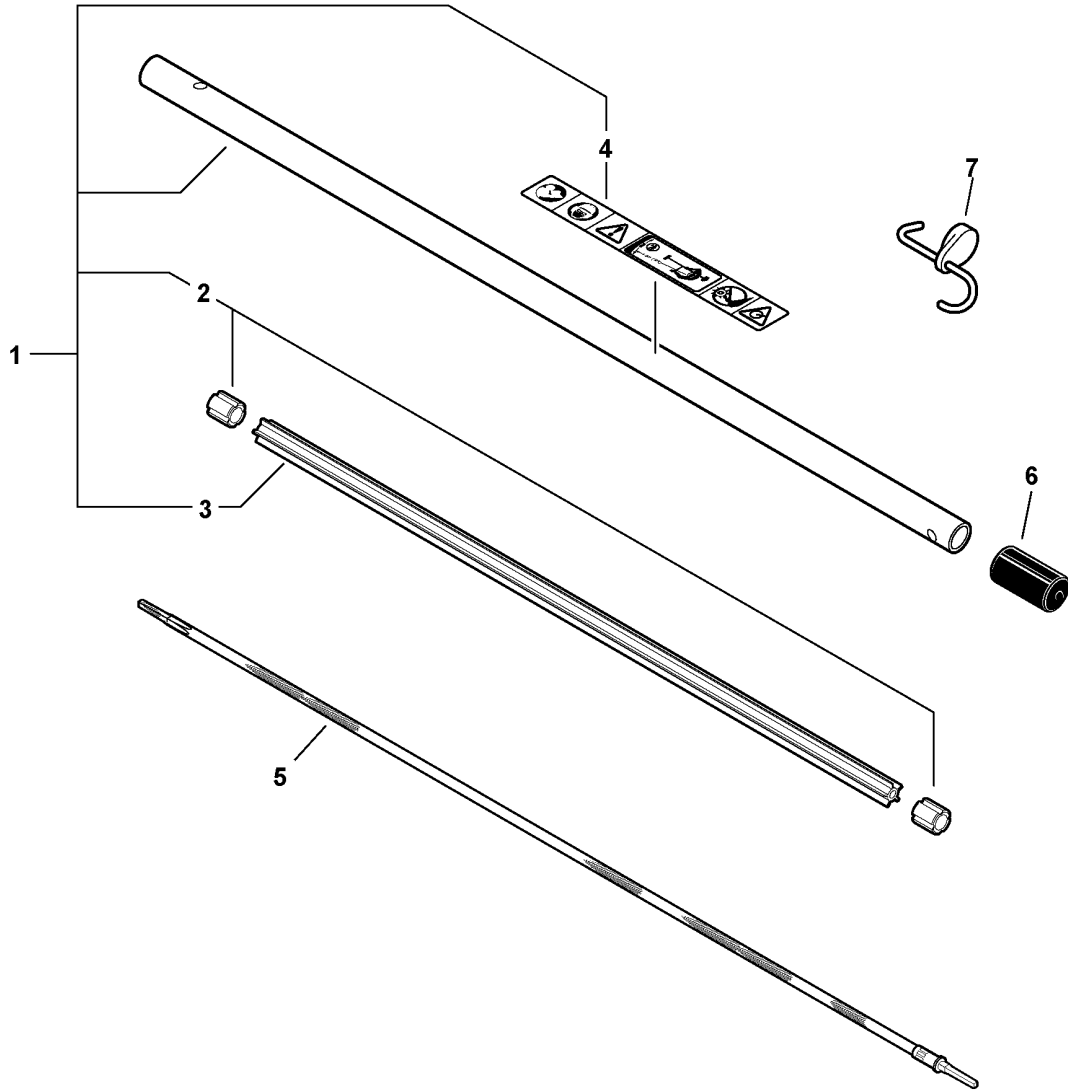
900 0010 000

ITEM	PART NUMBER	QTY	DESCRIPTION	REMARKS
1	P021000460	2	HANDLE BRACKET ASY	INCLUDES ITEM 2-3
2	90016205025	4	SCREW 5X25	
3	90014206030	2	BOLT 6X30	
4	35121425560	1	HANDLE, FRONT	
5	35131102330	1	GRIP, HANDLE	
6	90023805016	4	SCREW 5X16	
7	90056000005	4	LOCKNUT 5	
8	90026305012	4	TAPPING SCREW 5X12	
9	69901325560	1	RETAINER, FLAP	
10	69901025560	1	FLAP, DEBRIS	
11	30213025560	1	SHIELD	
12	89011804262	1	LABEL -- ECHO	
13	90003100200	2	LOCKNUT	
14	90060000008	4	WASHER	
15	C7300000030	2	WHEEL	
16	30242452630	2	COLLAR 12	
17	60510525560	1	BRACKET, FRONT AXLE	INCLUDES ITEM 18
18	88996022660	1	DOWEL PIN	
19	61025055330	2	CARRAGE BOLT 5/16 X 2-1/2 X 18 INCH	



090 0002 000

ITEM	PART NUMBER	QTY	DESCRIPTION	REMARKS
1	60140024960	1	GEAR CASE ASY	INCLUDES ITEMS 2-23
2	60540112050	1	GEAR HOUSING ASY	INCLUDES ITEMS 3-11
3	90010006025	2	BOLT 6X25	
4	90060500006	2	LOCKWASHER	
5	90060000006	2	WASHER 6	
6	90010008008	1	BOLT 8X8	
7	90024204025	5	SCREW 4X25	
8	90073101004	1	BALL, STEEL	
9	60532411050	1	WASHER 3	
10	90024205014	1	SCREW 5X14	
11	60543011050	2	DOWEL PIN	
12	60531311050	1	GEAR, WORM	
13	60541611050	2	OILSEAL	
14	90070200030	2	CIRCLIP 30	
15	90085506903	2	BEARING, BALL 6903	
16	60531511050	1	WHEEL, WORM	
17	90032504015	1	KEY	
18	60531425560	1	SHAFT, WORM WHEEL	
19	90070600009	1	CIRCLIP 9	
20	90080300609	1	BEARING, BALL 609Z	
21	90080000609	1	BEARING, BALL 609	
22	60531011050	1	GEAR, DRIVE	
23	90070200025	1	CIRCLIP 25	



031 0038 000

ITEM	PART NUMBER	QTY	DESCRIPTION	REMARKS
1	61020654130	1	MAIN PIPE ASY	INCLUDES ITEMS 2-3
2	61024644730	2	STOPPER	
3	61021752630	1	LINER	
4	89016025560	1	LABEL, CAUTION	
5	61001356730	1	DRIVESHAFT - FLEXIBLE	
6	35122301130	1	CAP, PROTECTIVE	
7	99944200630	1	PAS ATTACHMENT HANGER	INCLUDES 4 PER PACKAGE



Part Number Index

Click The Page Number After Any Part Number To View The Diagram Containing That Part.

Part Number	Page
21001325560	5
30213025560	7
30242452630	7
35121425560	7
35122301130	11
35131102330	7
60140024960	9
60510525560	7
60531011050	9
60531311050	9
60531425560	9
60531511050	9
60532411050	9
60540112050	9
60541611050	9
60543011050	9
60561111050	5
60561211050	5
61001356730	11
61004725560	5
61020654130	11
61021752630	11
61024644730	11
61025055330	7
69411325561	5
69633425660	5
69633525560	5
69901025560	7
69901325560	7
88995325560	5
88996022660	7
89011804262	7
89016025560	11
90003100200	7
90010006025	9
90010008008	9
90014206030	7
90016205025	7
90023805016	7
90024204025	9
90024205014	9
90026305012	7
90032504015	9
90056000005	7
90060000006	9
90060000008	7
90060500006	9
90070200025	9
90070200030	9
90070600009	9
90073101004	9
90080000609	9
90080300609	9
90085506903	9
99944200630	11
C730000030	7
P021000460	7



Part Description Index

Click The Page Number After Any Part Description To View The Diagram Containing That Part.

B

BALL, STEEL.....9
 BEARING, BALL 609.....9
 BEARING, BALL 609Z.....9
 BEARING, BALL 6903.....9
 BOLT.....5
 BOLT 6X25.....9
 BOLT 6X30.....7
 BOLT 8X8.....9
 BRACKET, FRONT AXLE.....7

C

CAP, PROTECTIVE.....11
 CARRAGE BOLT 5/16 X 2-1/2 X 18 INCH.....7
 CIRCLIP 25.....9
 CIRCLIP 30.....9
 CIRCLIP 9.....9
 CLEVIS PIN.....5
 COLLAR 12.....7
 COVER, DEBRIS.....5

D

DOWEL PIN.....7, 9
 DRIVESHAFT - FLEXIBLE.....11
 DRUM - LEFT.....5
 DRUM - RIGHT.....5

F

FLAP, DEBRIS.....7

G

GEAR CASE ASY.....9
 GEAR HOUSING ASY.....9
 GEAR, DRIVE.....9
 GEAR, WORM.....9
 GRIP, HANDLE.....7
 GUIDE, GRASS.....5

H

HAIRPIN COTTER.....5
 HANDLE BRACKET ASY.....7
 HANDLE, FRONT.....7

K

KEY.....9

L

LABEL -- ECHO.....7
 LABEL, CAUTION.....11
 LINER.....11
 LOCKNUT.....7
 LOCKNUT 5.....7
 LOCKWASHER.....9

M

MAIN PIPE ASY.....11

O

OILSEAL.....9

P

PAS ATTACHMENT HANGER.....11

R

RETAINER, FLAP.....7

S

SCREW 4X25.....9
 SCREW 5X14.....9
 SCREW 5X16.....7
 SCREW 5X25.....7
 SHAFT, WORM WHEEL.....9
 SHIELD.....7
 SPRING, THATCHING.....5
 STOPPER.....11

T

TAPPING SCREW 5X12.....7

W

WASHER.....7
 WASHER 3.....9
 WASHER 6.....9
 WHEEL.....7
 WHEEL, WORM.....9



ECHO, INCORPORATED

400 Oakwood Road
Lake Zurich, IL 60047 USA

WWW.ECHO-USA.COM
