



---

**AVAILABLE ATTACHMENTS & ACCESSORIES****Fits Models**

PAS-210	Pro Attachment Series
PAS-2100	Pro Attachment Series
PAS-211	Pro Attachment Series
PAS-230	Pro Attachment Series
PAS-231	Pro Attachment Series
PAS-2400	Pro Attachment Series
PAS-260	Pro Attachment Series
PAS-2601	Pro Attachment Series
PAS-261	Pro Attachment Series
SRM-2100SB	Split-Shaft Trimmer
SRM-2101SB	Split-Shaft Trimmer
SRM-210SB	Split-Shaft Trimmer
SRM-2400SB	Split-Shaft Trimmer
SRM-260SB	Split-Shaft Trimmer
SRM-261SB	Split-Shaft Trimmer

---

**PARTS CATALOG**  
**HEDGE CLIPPER**  
**ATTACHMENT****Pro Attachment Series****MODEL: SERIAL NUMBERS**

---

**99944200480:** Hedge Clipper Attachment

---

**ECHO, INCORPORATED**

400 Oakwood Road Lake Zurich, Illinois 60047 USA

WWW.ECHO-USA.COM



# Table of Contents

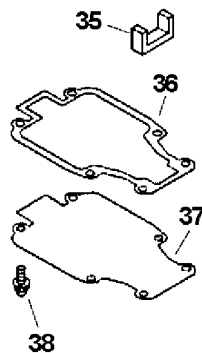
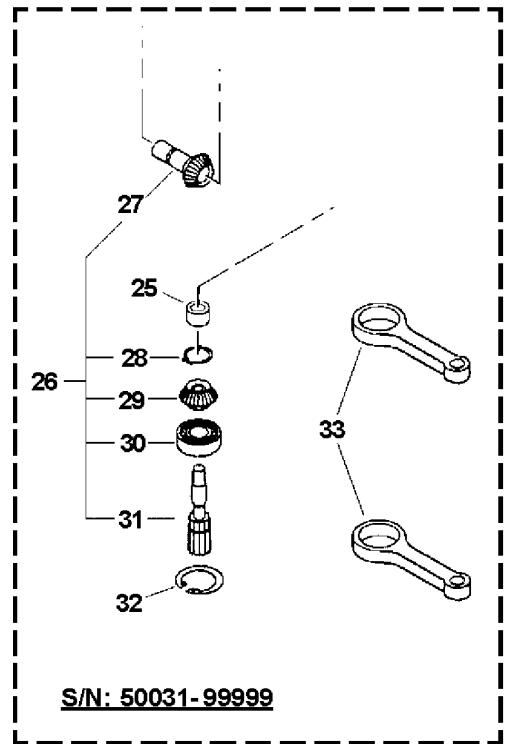
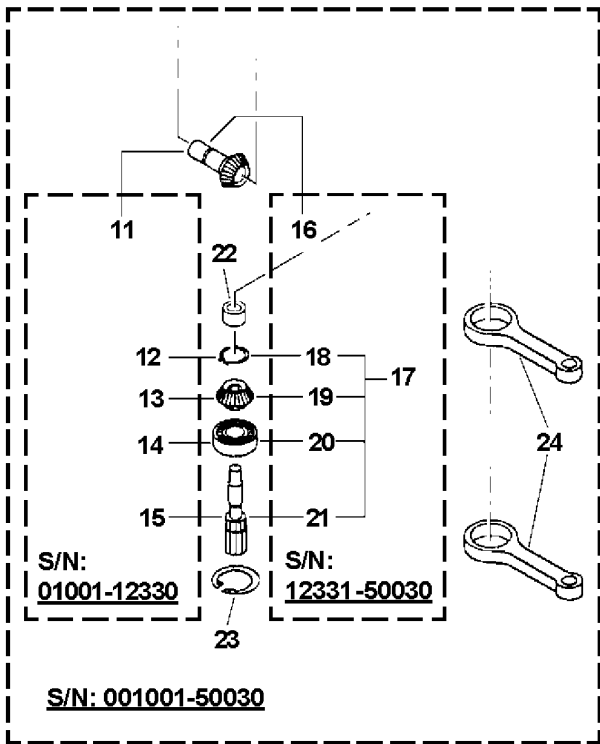
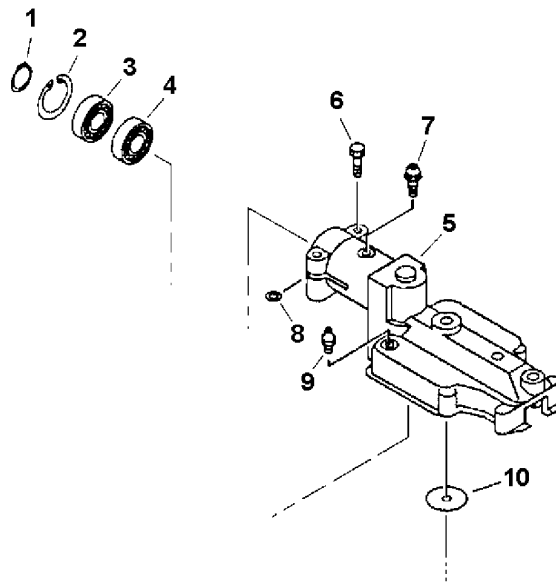
---

Click Any Diagram Description Below To View That Diagram.

## **99944200480 Hedge Clipper Attachment**

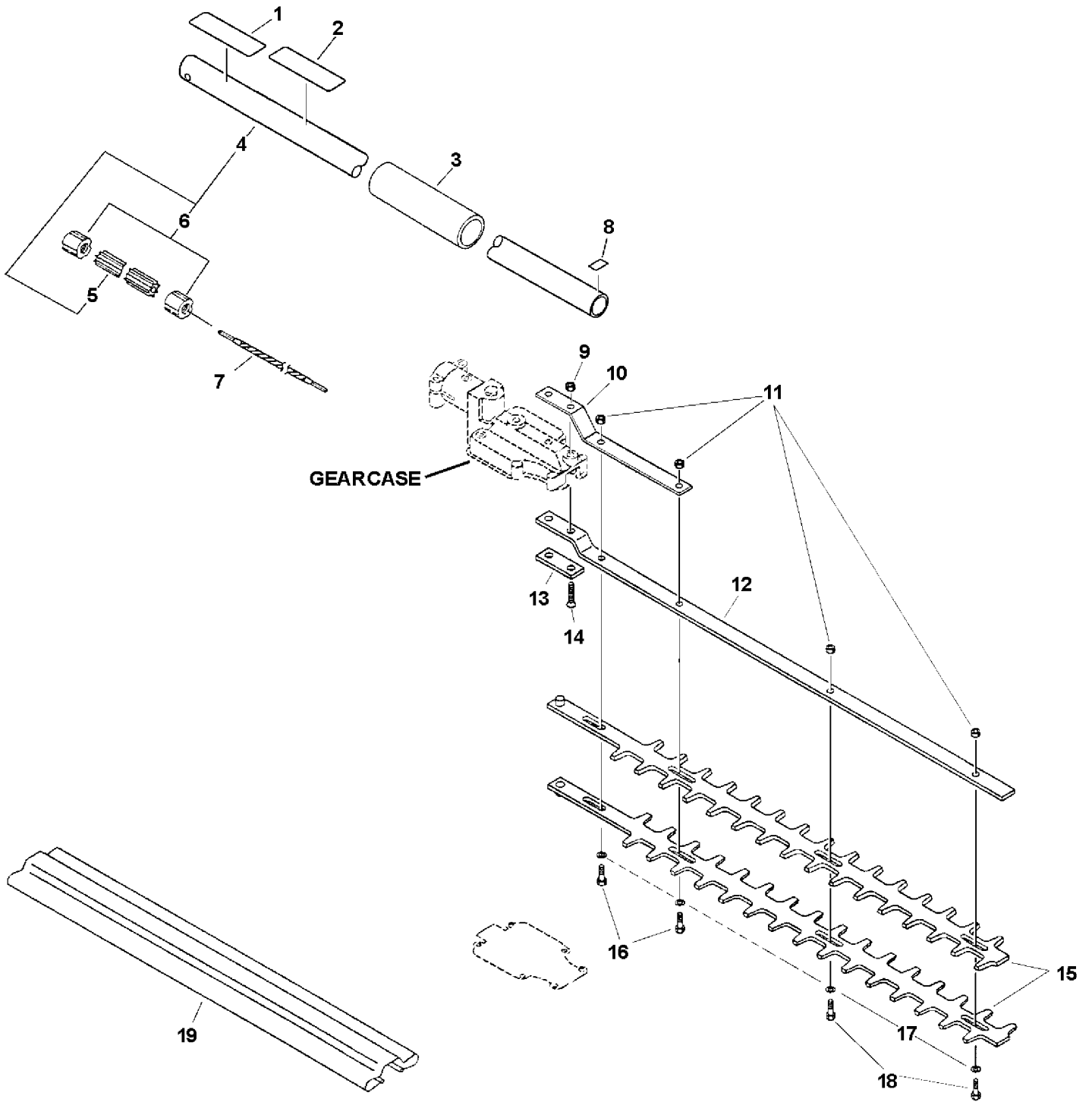
<b>Gear Case.....</b>	<b>4</b>
<b>Main Pipe Asy, Driveshaft, Cutters.....</b>	<b>6</b>
<b>Part Number Index.....</b>	<b>8</b>
<b>Part Description Index.....</b>	<b>9</b>

***This Page Intentionally Left Blank***



998442004800002000

ITEM	PART NUMBER	QTY	DESCRIPTION	REMARKS
1	90070600012	1	CIRCLIP 12	
2	61033521460	1	RING, RETAINING	
3	90085506901	1	BEARING, BALL 6901	
4	90085806901	1	BEARING, BALL BB6901Z	
5	P021000110	1	CASE, GEAR	
6	90016205028	2	BOLT 5X28	
7	90016205012	1	BOLT 5X12	
8	61023904130	2	WASHER, SHIM	
9	88011054230	1	NIPPLE, GREASE	
10	61035004560	1	WASHER, SHIM	
11	61036121460	1	GEAR, BEVEL	
12	61033521560	1	RING, RETAINING	
13	61036121560	1	GEAR, BEVEL	
14	90085506901	1	BEARING, BALL 6901	
15	61031221460	1	GEAR, PINION	
16	V651000050	1	GEAR, BEVEL	
17	V060000000	1	SPUR GEAR KIT	INCLUDES ITEMS 18-21
18	61033521560	1	RING, RETAINING	
19	V651000060	1	GEAR, BEVEL	
20	90085506901	1	BEARING, BALL 6901	
21	61031221460	1	GEAR, PINION	
22	60422121460	1	BEARING, NEEDLE	
23	61033521460	1	RING, RETAINING	
24	61033004561	2	ROD, CONNECTING	
25	60422121460	1	BEARING, NEEDLE	
26	P021009440	1	SPUR GEAR KIT	INCLUDES ITEMS 27-31
27	V651000180	1	GEAR, BEVEL	
28	61033521560	1	RING, RETAINING	
29	V651000190	1	GEAR, BEVEL	
30	90085506901	1	BEARING, BALL 6901	
31	61031221460	1	GEAR	
32	61033521460	1	RING, RETAINING	
33	C532000120	2	ROD, CONNECTING	
34	61031204560	1	GEAR	
35	61042504560	1	SEAL	
36	61041421460	1	GASKET, GEAR CASE	
37	61041121460	1	LID, GEAR CASE	
38	90016204012	6	BOLT 4X12	



99944200480 0001000

ITEM	PART NUMBER	QTY	DESCRIPTION	REMARKS
1	89018721460	1	LABEL, CAUTION	
2	89017854331	1	LABEL, CAUTION	
3	35101221560	1	GRIP, HANDLE	
4	61020621960	1	MAIN PIPE ASY	INCLUDES ITEMS 5-6
5	61021721960	1	LINER, FLEXIBLE	
6	61024644730	2	STOPPER	
7	61001321960	1	DRIVESHAFT, FLEXIBLE	
8	89015204930	1	LABEL, ALIGNMENT	
9	90050000006	2	NUT 6	
10	69912021561	1	PLATE, CUTTER	
11	43302206460	4	NUT	
12	X425000060	1	SUPPORT, CUTTER	
13	61044004560	1	HOLDER, FRAME	
14	90021206035	2	SCREW 6X35	
15	X411000050	2	CUTTER	
16	69911521460	2	BOLT	
17	69911804560	4	WASHER	
18	69911306560	2	BOLT 6	
19	X495000040	1	COVER, CUTTER	



# Part Number Index

Click The Page Number After Any Part Number To Veiw The Diagram Containing That Part.

Part Number	Page
35101221560	.....7
43302206460	.....7
60422121460	.....5
61001321960	.....7
61020621960	.....7
61021721960	.....7
61023904130	.....5
61024644730	.....7
61031204560	.....5
61031221460	.....5
61033004561	.....5
61033521460	.....5
61033521560	.....5
61035004560	.....5
61036121460	.....5
61036121560	.....5
61041121460	.....5
61041421460	.....5
61042504560	.....5
61044004560	.....7
69911306560	.....7
69911521460	.....7
69911804560	.....7
69912021561	.....7
88011054230	.....5
89015204930	.....7
89017854331	.....7
89018721460	.....7
90016204012	.....5
90016205012	.....5
90016205028	.....5
90021206035	.....7
90050000006	.....7
90070600012	.....5
90085506901	.....5
90085806901	.....5
C532000120	.....5
P021000110	.....5
P021009440	.....5
V060000000	.....5
V651000050	.....5
V651000060	.....5
V651000180	.....5
V651000190	.....5
X411000050	.....7
X425000060	.....7
X495000040	.....7





# Part Description Index

---

Click The Page Number After Any Part Description To View The Diagram Containing That Part.

WASHER, SHIM.....5

## B

- BEARING, BALL 6901.....5
- BEARING, BALL BB6901Z.....5
- BEARING, NEEDLE.....5
- BOLT.....7
- BOLT 4X12.....5
- BOLT 5X12.....5
- BOLT 5X28.....5
- BOLT 6.....7

## C

- CASE, GEAR.....5
- CIRCLIP 12.....5
- COVER, CUTTER.....7
- CUTTER.....7

## D

- DRIVESHAFT, FLEXIBLE.....7

## G

- GASKET, GEAR CASE.....5
- GEAR.....5
- GEAR, BEVEL.....5
- GEAR, PINION.....5
- GRIP, HANDLE.....7

## H

- HOLDER, FRAME.....7

## L

- LABEL, ALIGNMENT.....7
- LABEL, CAUTION.....7
- LID, GEAR CASE.....5
- LINER, FLEXIBLE.....7

## M

- MAIN PIPE ASY.....7

## N

- NIPPLE, GREASE.....5
- NUT.....7
- NUT 6.....7

## P

- PLATE, CUTTER.....7

## R

- RING, RETAINING.....5
- ROD, CONNECTING.....5

## S

- SCREW 6X35.....7
- SEAL.....5
- SPUR GEAR KIT.....5
- STOPPER.....7
- SUPPORT, CUTTER.....7

## W

- WASHER.....7



**ECHO, INCORPORATED**

400 Oakwood Road  
Lake Zurich, IL 60047 USA

[WWW.ECHO-USA.COM](http://WWW.ECHO-USA.COM)

---