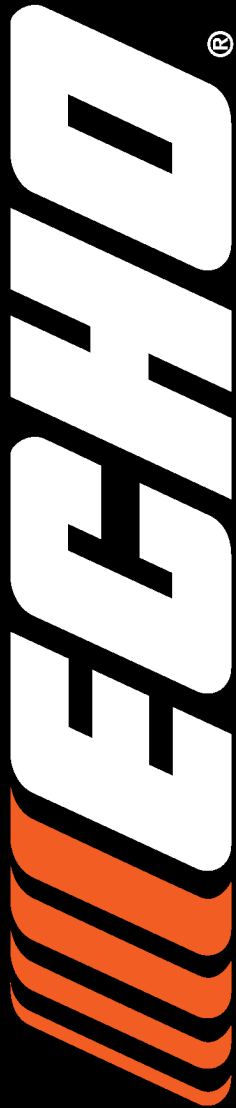


CS-550P Chain Saw

Motosierra
54.1 cc

S/N: C10712001001 - C10712999999



Optional Attachments & Accessories Accessories

| | |
|---------------------------------|-------------|
| Carry Bag | 103942147 |
| Camouflage Carry Bag | 103942148 |
| Bar & Chain Cover - 20" | 89850308034 |
| ToughChest Chain Saw Case - 24" | 99988801211 |

Guide Bars

| | |
|----------------------------|------------|
| Guide Bar - 16" (.050" Ga) | 16F0LD3366 |
| Guide Bar - 18" (.050" Ga) | 18F0LD3372 |
| Guide Bar - 20" (.050" Ga) | 20F0LD3378 |

Sawing Chains

| | |
|-------------------------------|-----------|
| Sawing Chain - 16" (.050" Ga) | 20LPX66CQ |
| Sawing Chain - 18" (.050" Ga) | 20LPX72CQ |
| Sawing Chain - 20" (.050" Ga) | 20LPX78CQ |

Accesorios & Accesorios Opcionales Accessoires

| |
|---|
| Sac de Transport |
| Sac de Transport Camouflage |
| Protecteur pour Guide et Chaîne - 20" |
| ToughChest Boîte pour Scie à Chaîne - 24" |

Guide-Chaînes

| |
|-------------------------------|
| Guide-Chaîne - 16" (.050" Ga) |
| Guide-Chaîne - 18" (.050" Ga) |
| Guide-Chaîne - 20" (.050" Ga) |

Chaînes de sciage

| |
|-----------------------------------|
| Chaîne de sciage - 16" (.050" Ga) |
| Chaîne de sciage - 18" (.050" Ga) |
| Chaîne de sciage - 20" (.050" Ga) |

**TABLE OF CONTENTS - CONTENIDO**

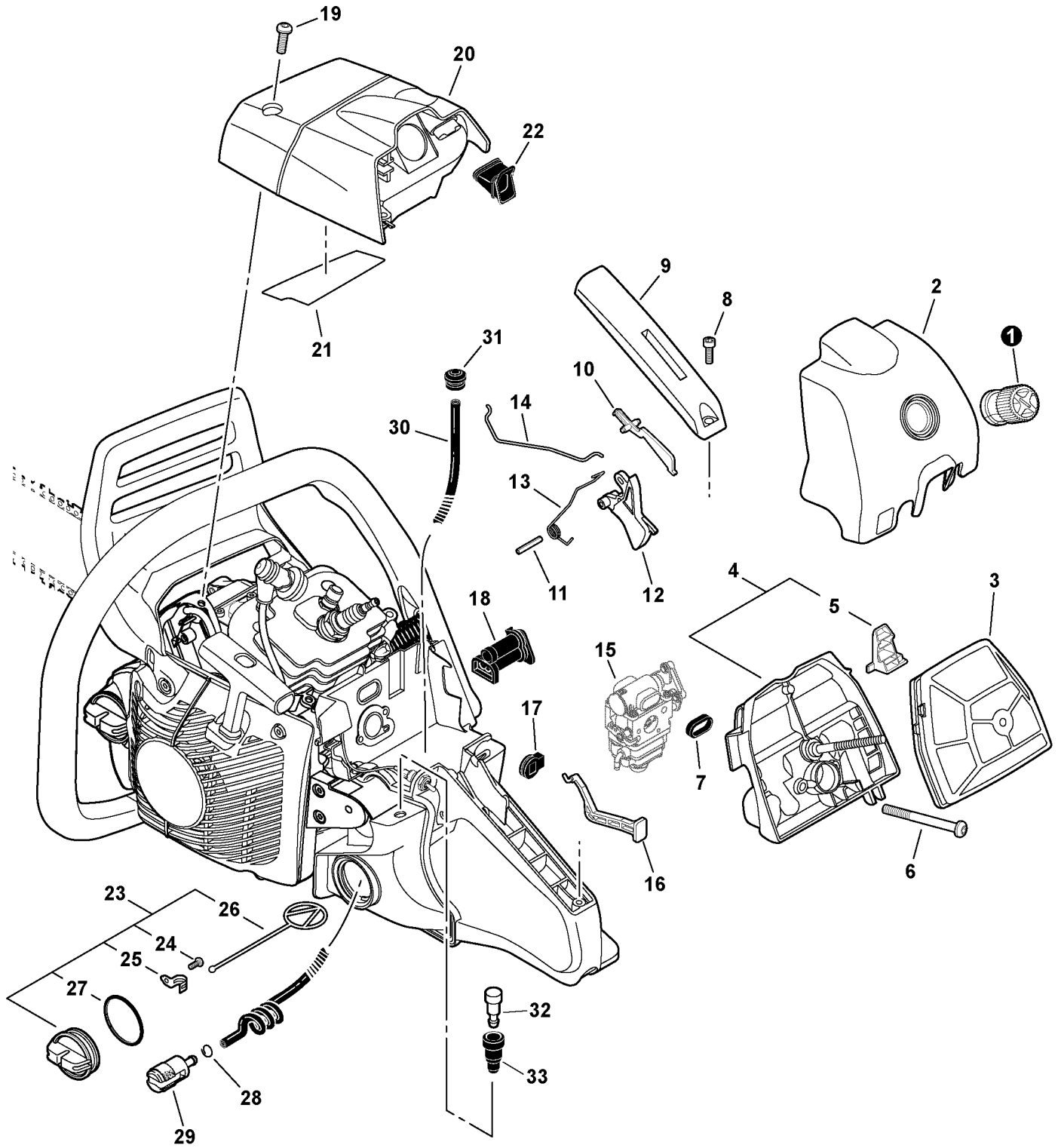
Click Any Diagram Description Below To View That Diagram

Chasque cualquier descripción del diagrama abajo para ver ese diagrama

| | |
|--|-----------|
| Intake, Throttle Control, Fuel System..... | 3 |
| Admission, Commande des Gaz, Système d'alimentation en Carburant | |
| Carburetor -- WLA-3..... | 5 |
| Carburateur -- WLA-3 | |
| Exhaust..... | 7 |
| Échappement | |
| Standard Guide Bar, Sawing Chain, Kick Guard..... | 8 |
| Guide-Chaîne Standard, Chaîne de Sciage, Garde de Protection | |
| Chain Brake..... | 9 |
| Frein de chaîne | |
| Clutch..... | 11 |
| Embrayage | |
| Starter..... | 12 |
| Démarrreur | |
| Ignition..... | 13 |
| Allumage | |
| Handles, Oil System..... | 14 |
| Poignées, circuit d'huile | |
| Engine, Crankcase..... | 16 |
| Moteur, carter de Moteur | |
| Labels..... | 18 |
| Étiquettes | |
| Tools..... | 19 |
| Outils | |
| Part Number Index..... | 20 |
| Índice Del Número De Parte | |



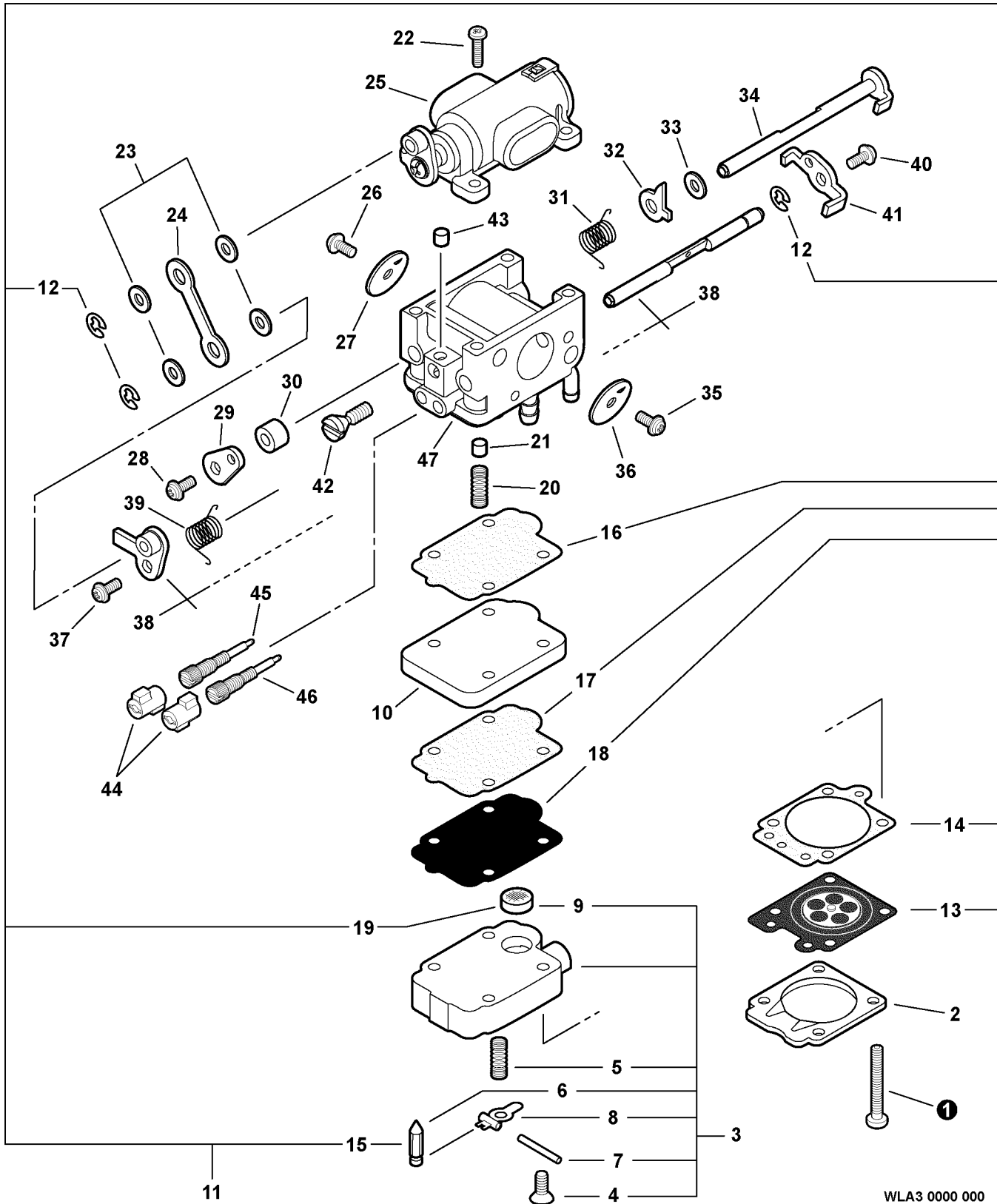
NOTES -- NOTAS



| | | | | |
|----|---------------|---|---------------------------|--------------------------------|
| ① | A235000200 | 1 | KNOB, AIR FILTER COVER | BOUTON, COUVERCLE FILTRE À AIR |
| 2 | A232001400 | 1 | COVER, AIR CLEANER | COUVRE-FILTRE, AIR |
| 3 | A226001610 | 1 | FILTER, AIR | FILTRE, AIR |
| 4 | P021036890 | 1 | AIR CLEANER CASE KIT | ASS. BOÎTIER FILTRE À AIR |
| 5 | + A219000060 | 1 | GUIDE, AIR | GUIDE, AIR |
| 6 | V805000030 | 2 | SCREW - 5X50 | VIS - 5X50 |
| 7 | V142000070 | 1 | COVER, DUST | ÉTUI À POUSSIÈRE |
| 8 | V804000000 | 1 | SCREW - 4X12 | VIS - 4X12 |
| 9 | C411000001 | 1 | COVER, HANDLE | COUVRE-POIGNÉE |
| 10 | 17809037930 | 1 | LEVER, THROTTLE LOCKOUT | LEVIER, VERROUILLAGE |
| 11 | 90034540025 | 1 | PIN, SPRING - 4X25 | GOUPILLE, RESSORT - 4X25 |
| 12 | C450000360 | 1 | TRIGGER, THROTTLE | GÂCHETTE, ACCÉLÉRATEUR |
| 13 | V452000260 | 1 | SPRING, TRIGGER | RESSORT, GÂCHETTE |
| 14 | C454000470 | 1 | ROD, THROTTLE | TIGE, ACCÉLÉRATEUR |
| 15 | ----- | 1 | CARBURETOR ⁽¹⁾ | CARBURATEUR ⁽¹⁾ |
| 16 | A241000220 | 1 | ROD, CHOKE | TIGE, ÉTRANGLEUR |
| 17 | V130000030 | 1 | GROMMET, CHOKE | OEILLET D'ÉTRANGLEUR |
| 18 | V131000200 | 1 | GROMMET, NEEDLE | OEILLET, POINTEAU |
| 19 | V805000000 | 3 | SCREW - 5X16 | VIS - 5X16 |
| 20 | A160002310 | 1 | COVER, ENGINE | COUVRE-MOTEUR |
| 21 | V341000140 | 1 | DEFLECTOR, HEAT | DÉFLECTEUR, CHALEUR |
| 22 | A239000070 | 1 | DUCT, INTAKE | ADMISSION AIR DU CONDUIT |
| 23 | P021016041 | 1 | CAP ASY | ASS. CAPUCHON |
| 24 | + 90024603008 | 1 | SCREW - 3X8 | VIS - 3X8 |
| 25 | + 13105019830 | 1 | RETAINER, CONNECTOR | ATTACHE, CONNECTEUR |
| 26 | + A365000050 | 1 | CONNECTOR, CAP | CONNECTEUR, CAPUCHON |
| 27 | + V581000600 | 1 | O-RING | JOINT TORRIQUE |
| 28 | 13201309820 | 1 | CLIP - 6 | ANNEAU - 6 |
| 29 | 13120519831 | 1 | FILTER, FUEL | FILTRE, ESSENCE |
| 30 | V471003080 | 1 | PIPE - SPIRAL | TUYAU, ESSENCE - SPIRALE |
| 31 | 13211501461 | 1 | GROMMET | OEILLET |
| 32 | 13130056431 | 1 | VENT, FUEL TANK | ASS. ÉVENT |
| 33 | A359000000 | 1 | GROMMET | OEILLET |

(FOOTNOTE) 1 - See Carburetor Diagram For Details

(NOTA DEL PIE) 1 - Voir le diagramme de carburateur pour des détails

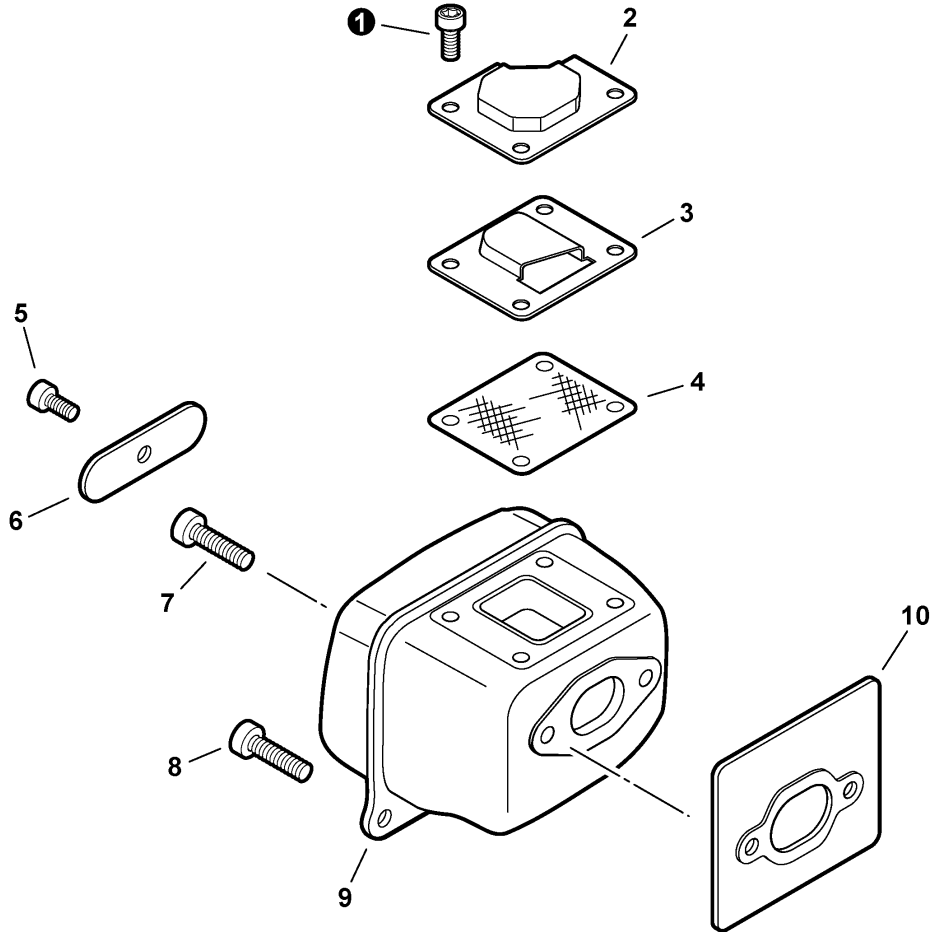


WLA3 0000 000

| | | | | |
|----|---------------|---|---------------------------------|-----------------------------------|
| | A021003420 | 1 | CARBURETOR -- WLA-3 | CARBURATEUR -- WLA-3 |
| ① | + 12311040630 | 4 | SCREW | VIS |
| 2 | + 12314203930 | 1 | COVER, METERING DIAPHRAGM | COUVRE-MEMBRANE |
| 3 | + P003004220 | 1 | PUMP BODY ASY | ASS. CORPS POMPE |
| 4 | + 12313905560 | 1 | SCREW, METERING LEVER PIN | VIS, GOUPILLE RETENUE |
| 5 | + 12312205560 | 1 | SPRING, METERING LEVER | RESSORT, LEVIER DE DOSAGE |
| 6 | + 12313719830 | 1 | VALVE, INLET NEEDLE | SOUPAPE, POINTEAU D'ADMISSION |
| 7 | + 12313803930 | 1 | PIN, METERING LEVER | GOUPILLE, LEVIER DE DOSAGE |
| 8 | + 12312338330 | 1 | LEVER, METERING | LEVIER, DOSAGE |
| 9 | + 12312610631 | 1 | STRAINER | TAMIS |
| 10 | + P003002160 | 1 | PLATE, PASSAGE | PLAQUE, PASSAGE |
| 11 | + P003002230 | 1 | REPAIR KIT | KIT DE RÉPARATION |
| 12 | + 12312715030 | 3 | RING, RETAINING | BAGUE, RETENUE |
| 13 | + P003001850 | 1 | DIAPHRAGM, METERING | MEMBRANE, DOSAGE |
| 14 | + 12314027230 | 1 | GASKET, METERING | JOINT, DOSAGE |
| 15 | + 12313719830 | 1 | VALVE, INLET NEEDLE | SOUPAPE, POINTEAU D'ADMISSION |
| 16 | + P003002110 | 1 | GASKET, PASSAGE | JOINT, PASSAGE |
| 17 | + P003000100 | 1 | GASKET, PUMP | JOINT, POMPE |
| 18 | + 12311240630 | 1 | DIAPHRAGM, PUMP | MEMBRANE, POMPE |
| 19 | + 12312610631 | 1 | STRAINER | TAMIS |
| 20 | + P003004300 | 1 | SPRING | RESSORT |
| 21 | + 12318539130 | 1 | PISTON ASY | ASS. PISTON |
| 22 | + 12311440630 | 4 | SCREW | VIS |
| 23 | + 12314926030 | 4 | WASHER | RONDELLE |
| 24 | + P003002080 | 1 | LINK | JONCTION |
| 25 | + P003004230 | 1 | AIR VALVE ASY | ASS. SOUPAPE AIR |
| 26 | + 12311403930 | 1 | SCREW | VIS |
| 27 | + P003002200 | 1 | VALVE, CHOKE | SOUPAPE, ÉTRANGLEUR |
| 28 | + 12311403930 | 1 | SCREW | VIS |
| 29 | + P003004060 | 1 | LEVER, CHOKE | LEVIER, ÉTRANGLEUR |
| 30 | + P003004330 | 1 | SPACER | ENTRETOISE |
| 31 | + P003004290 | 1 | SPRING | RESSORT |
| 32 | + P003001510 | 1 | LEVER, CHOKE | LEVIER - RALENTI ACCÉLÉRÉ |
| 33 | + 12314926030 | 1 | WASHER | RONDELLE |
| 34 | + P003004270 | 1 | SHAFT, CHOKE | ARBRE, ÉTRANGLEUR |
| 35 | + 12311403930 | 1 | SCREW | VIS |
| 36 | + 12311610530 | 1 | VALVE, THROTTLE | PAPILLON, ACCÉLÉRATEUR |
| 37 | + 12311403930 | 1 | SCREW | VIS |
| 38 | + P003004260 | 1 | THROTTLE SHAFT ASY | ASS. ARBRE ACCÉLÉRATEUR |
| 39 | + P003002150 | 1 | SPRING | RESSORT |
| 40 | + 12311403930 | 1 | SCREW | VIS |
| 41 | + P003004250 | 1 | LEVER, THROTTLE | LEVIER, ACCÉLÉRATEUR |
| 42 | + P003004280 | 1 | SCREW, IDLE ADJUST | VIS, RÉGLAGE RALENTI |
| 43 | + 12317815030 | 1 | PLUG, FRICTION | BOUCHON, FRICTION |
| 44 | + P003000010 | 2 | CAP, LIMITER | CAPUCHON, LIMITEUR |
| 45 | + P003004320 | 1 | NEEDLE - HIGH SPEED | POINTEAU - HAUTE VITESSE |
| 46 | + P003004310 | 1 | NEEDLE - LOW SPEED | POINTEAU - BASSE VITESSE |
| 47 | + ----- | 1 | BODY, CARBURETOR ⁽¹⁾ | CORPS, CARBURATEUR ⁽¹⁾ |

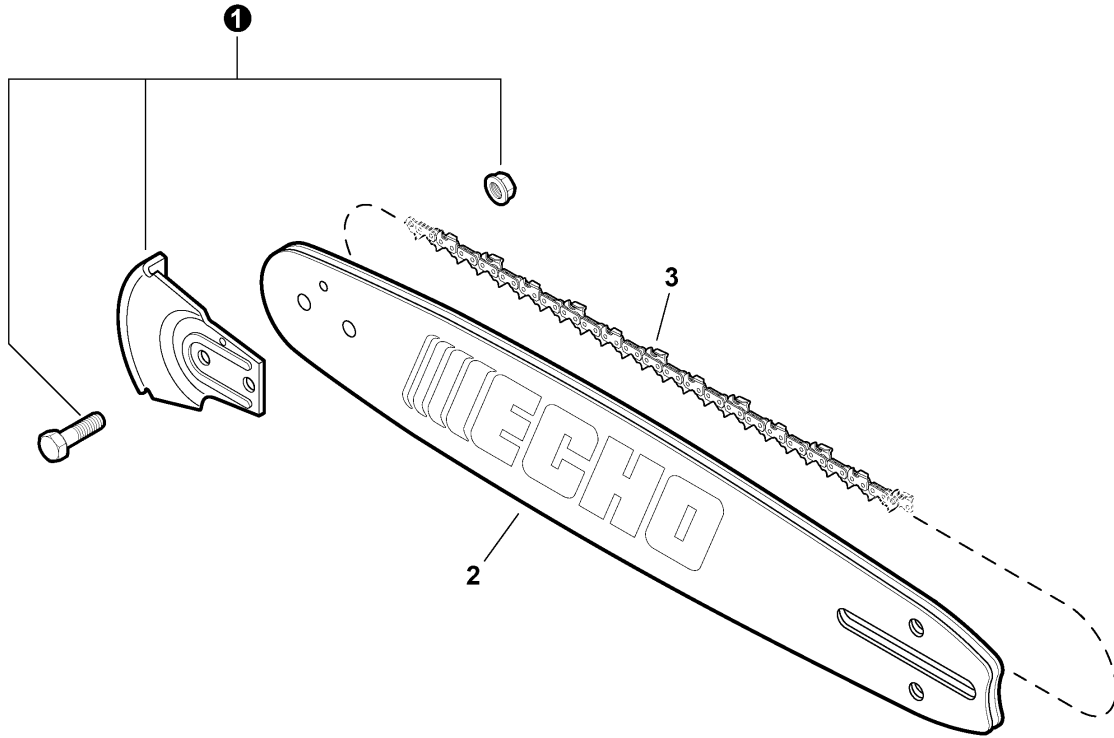
(FOOTNOTE) 1 - NOT AVAILABLE SEPARATELY

(NOTA DEL PIE) 1 - NON DISPONIBILE SÉPARÉMENT



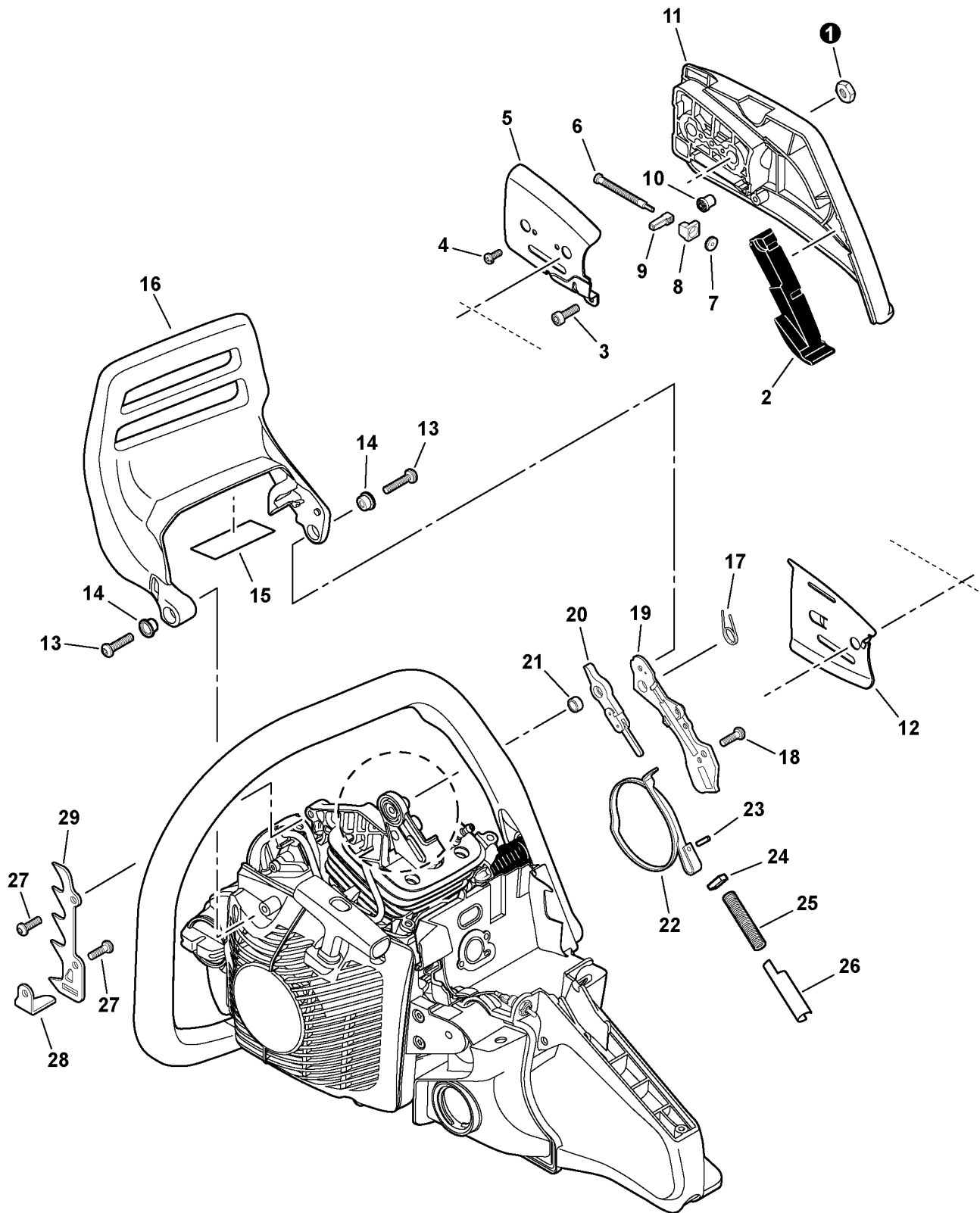
011 0011 000

| | | | | |
|----|------------|---|------------------------|--------------------------------|
| ① | V804000030 | 4 | SCREW - 4X8 | VIS - 4X8 |
| 2 | A313001670 | 1 | GUIDE, EXHAUST - OUTER | GUIDE, ÉCHAPPEMENT - EXTÉRIEUR |
| 3 | A313001041 | 1 | GUIDE, EXHAUST - INNER | GUIDE, ÉCHAPPEMENT - INTÉRIEUR |
| 4 | A310000090 | 1 | SCREEN, SPARK ARRESTER | ÉCRAN, PARE-ÉTINCELLES |
| 5 | V804000030 | 1 | SCREW - 4X8 | VIS - 4X8 |
| 6 | A301000030 | 1 | PLATE | PLAQUE |
| 7 | V855000000 | 2 | SCREW - 5X20 | VIS - 5X20 |
| 8 | V805000210 | 2 | SCREW - 5X20 | VIS - 5X20 |
| 9 | A300001560 | 1 | MUFFLER | SILENCIEUX |
| 10 | V104001770 | 1 | GASKET, EXHAUST | JOINT, ÉCHAPPEMENT |



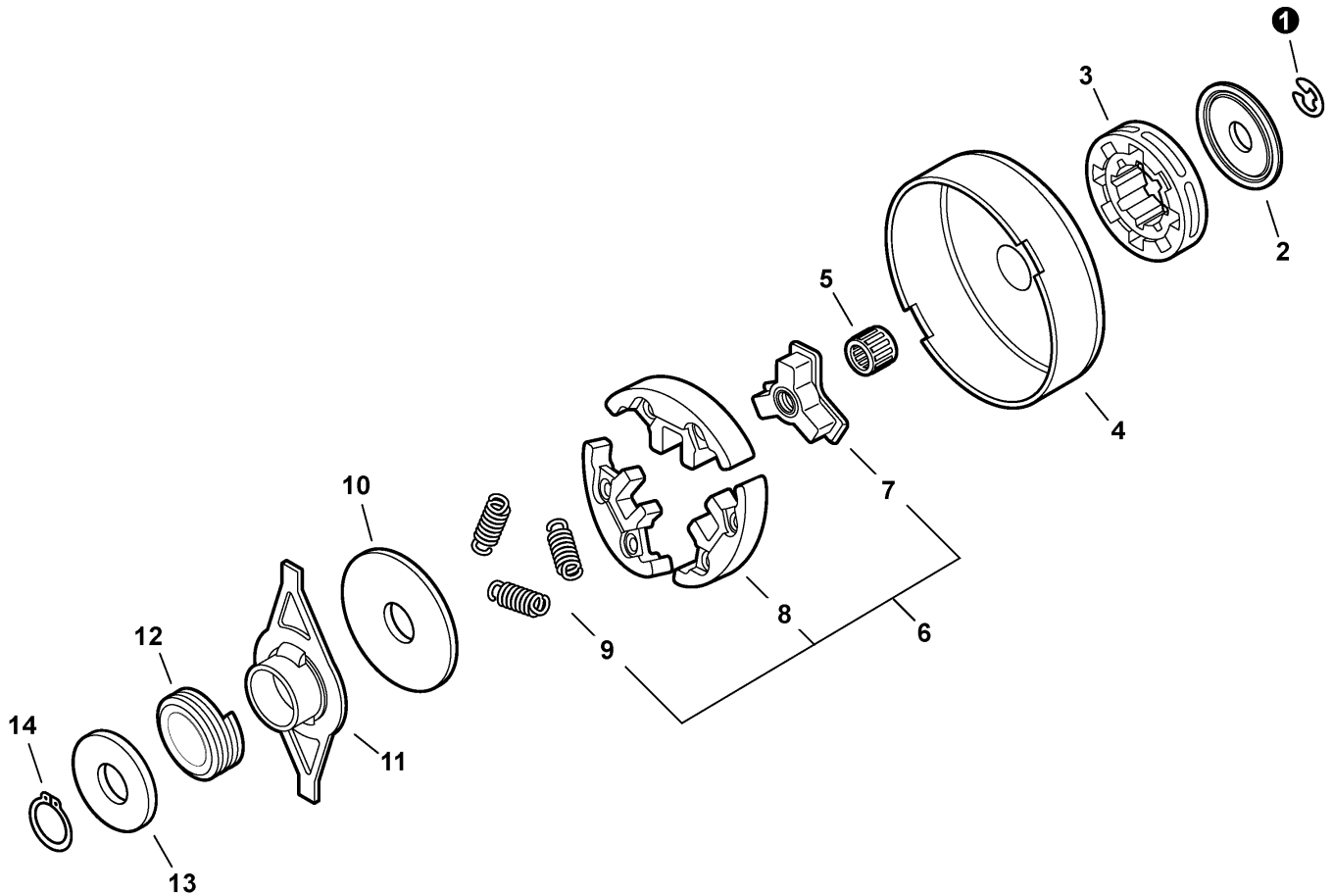
016 0020 000

| | | | | |
|----------|------------|---|-----------------------------|---------------------------------|
| 1 | 2893201 | 1 | KICK GUARD KIT | KIT DE PROTECTION COUP |
| 2 | 20F0LD3378 | 1 | GUIDE BAR - 20" -- Pro-Lite | GUIDE-CHAÎNE - 20" -- Pro-Lite |
| 3 | 20LPX78CQ | 1 | SAW CHAIN - 20" (50cm) | CHAÎNE SCIAGE - 20" -- Super 20 |



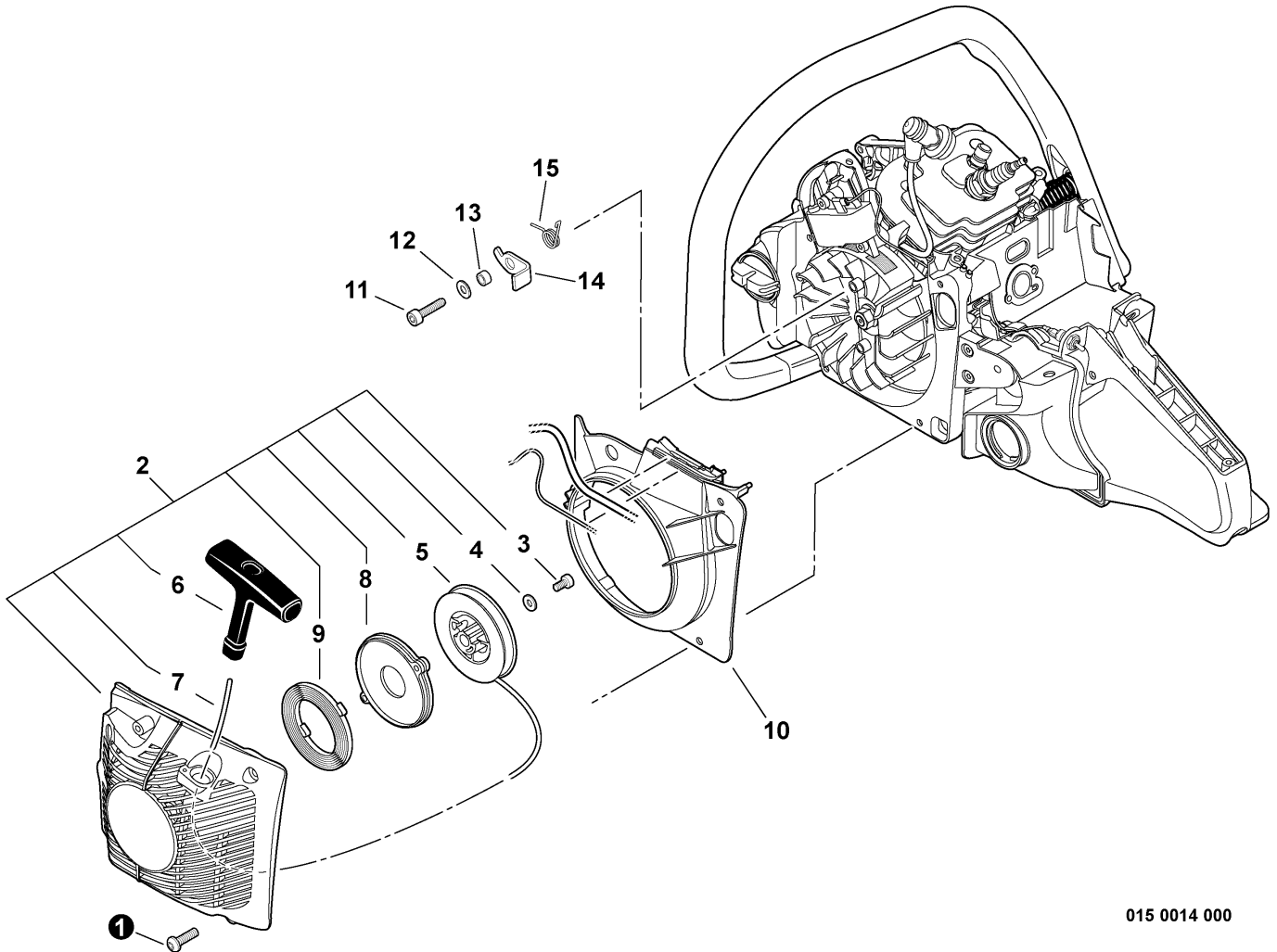
013 001 000

| | | | | |
|----|------------|---|----------------------|----------------------------|
| ① | V265000250 | 2 | NUT - 8 | ÉCROU - 8 |
| 2 | C302000011 | 1 | CUSHION | COUSSIN |
| 3 | V804000000 | 1 | SCREW - 4X12 | VIS - 4X12 |
| 4 | 9132503005 | 1 | SCREW - 3X6 | VIS - 3X6 |
| 5 | C305000400 | 1 | PLATE, GUIDE - OUTER | PLAQUE, GUIDE - EXTÉRIEUR |
| 6 | V203000110 | 1 | SCREW, TENSIONER | BOULON |
| 7 | V651000011 | 1 | GEAR, BEVEL | ENGRENAGE, BISEAU |
| 8 | V355000270 | 1 | COLLAR - 8 | COLLET - 8 |
| 9 | C309000150 | 1 | TENSIONER, CHAIN | TENDEUR DE CHAÎNE |
| 10 | V651000001 | 1 | GEAR, PINION | ENGRENAGE, BISEAU |
| 11 | C300000810 | 1 | COVER, BRAKE | COUVRE-FREIN |
| 12 | C305000390 | 1 | PLATE, GUIDE - INNER | PLAQUE, GUIDE - INTÉRIEURE |
| 13 | V805000000 | 2 | SCREW - 5X16 | VIS - 5X16 |
| 14 | V356000440 | 2 | COLLAR | COLLET |
| 15 | V341000170 | 1 | DEFLECTOR, HEAT | DÉFLECTEUR, CHALEUR |
| 16 | C320000410 | 1 | LEVER, BRAKE | LEVIER, FREIN |
| 17 | V452000400 | 1 | SPRING | RESSORT |
| 18 | V805000000 | 3 | SCREW - 5X16 | VIS - 5X16 |
| 19 | C345000282 | 1 | COVER, BRAKE | COUVRE-FREIN |
| 20 | C334000110 | 1 | CONNECTOR, BRAKE | CONNECTEUR DE FREIN |
| 21 | V356000470 | 1 | SPACER | ENTRETOISE |
| 22 | C328000121 | 1 | BAND, BRAKE | BANDE, FREIN |
| 23 | 9305030080 | 1 | PIN | GOUPILLE |
| 24 | V376000450 | 1 | GUIDE | GUIDE |
| 25 | V450000740 | 1 | SPRING | RESSORT |
| 26 | C603000220 | 1 | GUIDE, SPRING | GUIDE, RESSORT |
| 27 | V805000000 | 2 | SCREW - 5X16 | VIS - 5X16 |
| 28 | C310000010 | 1 | CATCHER, CHAIN | CAPTEUR, CHAÎNE |
| 29 | C304000040 | 1 | BUMPER, SPIKED | PARE-CHOC, GRIFFÉ |



014 0015 000

| | | | | |
|----|--------------|---|----------------------|-------------------------|
| ① | V583000130 | 1 | RING, RETAINING - 8 | BAGUE, RETENUE - 8 |
| 2 | V307000410 | 1 | WASHER - 10 | RONDELLE - 10 |
| 3 | 17511412530 | 1 | SPROCKET, RIM | PIGNON, JANTE |
| 4 | A556001310 | 1 | DRUM, CLUTCH | TAMBOUR, EMBRAYAGE |
| 5 | V555000160 | 1 | BEARING, NEEDLE | ROULEMENT, AIGUILLES |
| 6 | A056000220 | 1 | CLUTCH ASY | ASS. EMBRAYAGE |
| 7 | + A552000110 | 1 | HUB, CLUTCH | MOYEU, EMBRAYAGE |
| 8 | + P021007050 | 1 | CLUTCH SHOE SET | SET SABOT, EMBRAYAGE |
| 9 | + V451000500 | 3 | SPRING, CLUTCH | RESSORT, EMBRAYAGE |
| 10 | A551000110 | 1 | PLATE, CLUTCH | PLAQUE, EMBRAYAGE |
| 11 | V358000090 | 1 | RETAINER | ATTACHE |
| 12 | V652000050 | 1 | GEAR, WORM | ENGRENAGE, VIS SANS FIN |
| 13 | V311000090 | 1 | WASHER - 15 | RONDELLE - 15 |
| 14 | 90070100015 | 1 | RING, RETAINING - 15 | BAGUE, RETENUE - 15 |

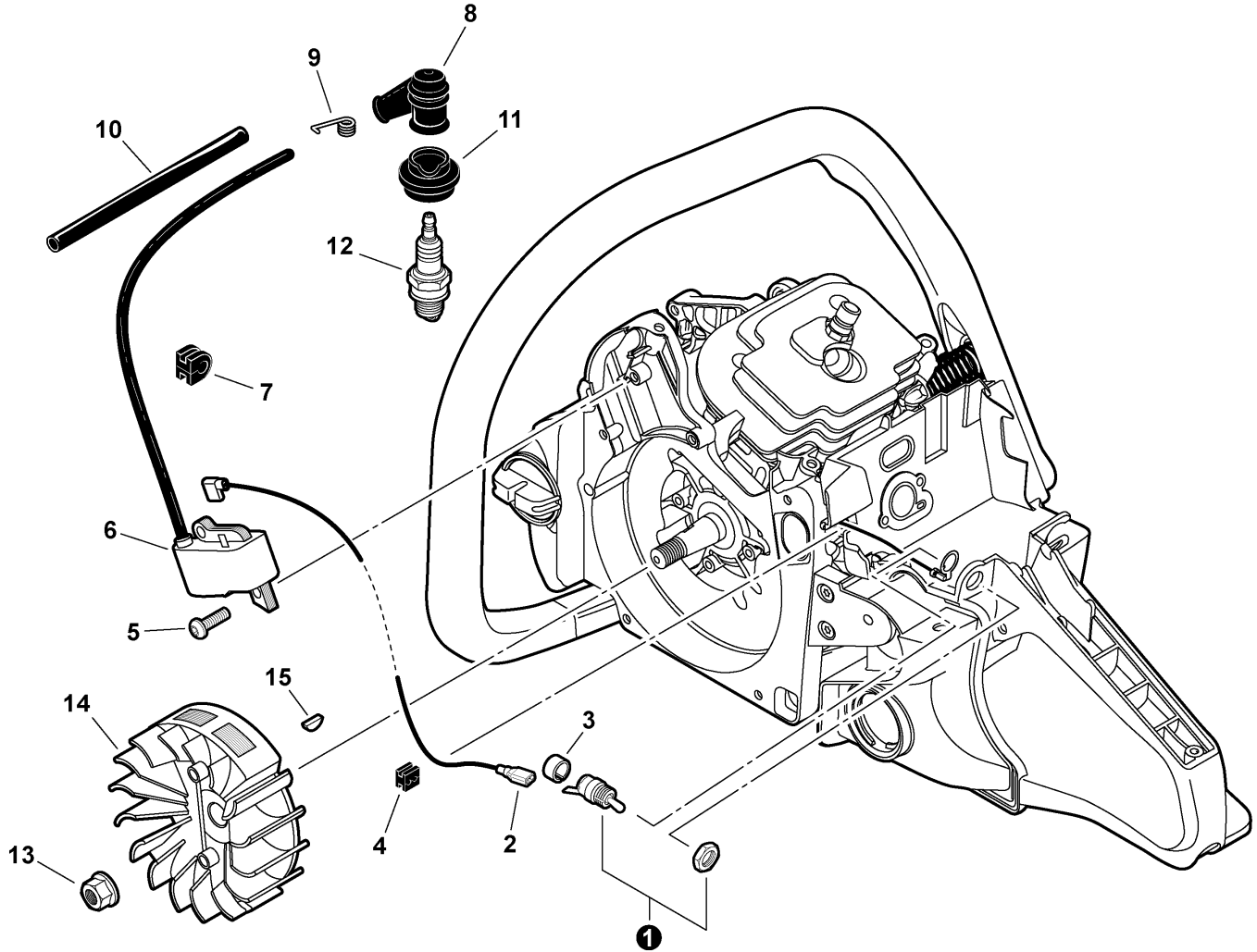


015 0014 000

| | | | | |
|----|---------------|---|--------------------------------------|---|
| ① | V805000010 | 4 | SCREW - 5X20 | VIS - 5X20 |
| 2 | P021015163 | 1 | STARTER ASY | ASS. DÉMARREUR |
| 3 | + V805000130 | 1 | SCREW - 5X10 | VIS - 5X10 |
| 4 | + 17721402830 | 1 | WASHER | RONDELLE |
| 5 | + A506000110 | 1 | REEL, ROPE | MOULINET, CORDE |
| 6 | + A511000070 | 1 | GRIP, STARTER | PRISE, DÉMARREUR |
| 7 | + 17722607060 | 1 | ROPE, STARTER - 4X950 ⁽¹⁾ | CORDE, DÉMARREUR - 4X950 ⁽¹⁾ |
| 8 | + A503000030 | 1 | PLATE, STARTER | PLAQUE, DÉMARREUR |
| 9 | 17722035430 | 1 | SPRING, REWIND | RESSORT, REBOBINAGE |
| 10 | A172000842 | 1 | COVER, FAN | COUVRE-VENTILATEUR |
| 11 | V835000000 | 2 | SCREW - 5X16 | VIS - 5X16 |
| 12 | 90060300005 | 2 | WASHER - 5.5X12 | RONDELLE - 5 |
| 13 | 17724704630 | 2 | SPACER | ENTRETOISE |
| 14 | 17721819830 | 2 | PAWL, STARTER | CLIQUET, DÉMARREUR |
| 15 | 17723435430 | 2 | SPRING, RETURN | RESSORT, RAPPEL |

(FOOTNOTE) 1 - RePower BULK OPTION: 99944450000

(NOTA DEL PIE) 1 - OPTION EN BLOC de RePower: 99944450000



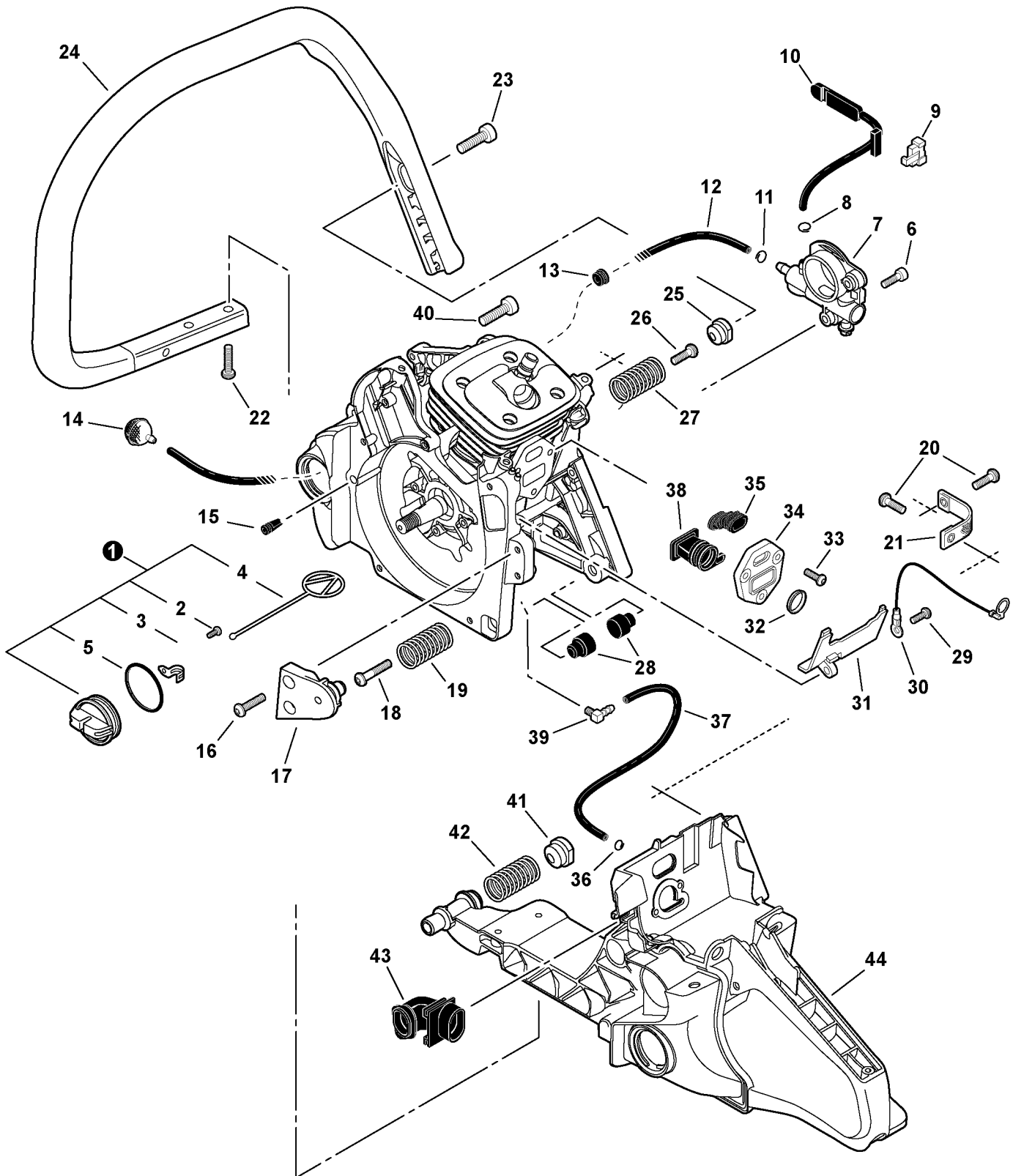
018 0012 000

| | | | | |
|----|-------------|---|--------------------------------------|---|
| ① | A440001190 | 1 | IGNITION SWITCH KIT | KIT INTERRUPTEUR, ALLUMAGE |
| 2 | V485001091 | 1 | LEAD - IGNITION | FIL - ALLUMAGE |
| 3 | A427000090 | 1 | CAP, SPARK PLUG | CAPUCHON, BOUGIE |
| 4 | 15011404920 | 1 | GROMMET | OEILLET |
| 5 | V805000000 | 2 | SCREW - 5X16 | VIS - 5X16 |
| 6 | A411001190 | 1 | COIL, IGNITION | BOBINE, ALLUMAGE |
| 7 | 15611004920 | 1 | GROMMET | OEILLET |
| 8 | A427000013 | 1 | CAP, SPARK PLUG | CAPUCHON, BOUGIE |
| 9 | A426000010 | 1 | TERMINAL, SPARK PLUG CAP | BORNE, CAPUCHON BOUGIE ALLUMAGE |
| 10 | V475006660 | 1 | COVER | COUVERCLE |
| 11 | A429000040 | 1 | SEAL, SPARK PLUG | JOINT DE BOUGIE |
| 12 | 15901019830 | 1 | SPARK PLUG -- BPM-8Y | BOUGIE D'ALLUMAGE -- BPM-8Y |
| 12 | A425000000 | 1 | SPARK PLUG -- BPMR-8Y ⁽¹⁾ | BOUGIE D'ALLUMAGE -- BPMR-8Y ⁽¹⁾ |
| 13 | 90051500008 | 1 | NUT - 8 -- FLANGE | ÉCROU À BRIDE - 8 |
| 14 | A409000360 | 1 | FLYWHEEL | VOLANT |
| 15 | 10014230830 | 1 | KEY, WOODRUFF | CLÉ, DEMI-LUNE |

(FOOTNOTE) 1 - CANADA MODELS

(NOTA DEL PIE) 1 - MODÈLES DU CANADA

Motosierra

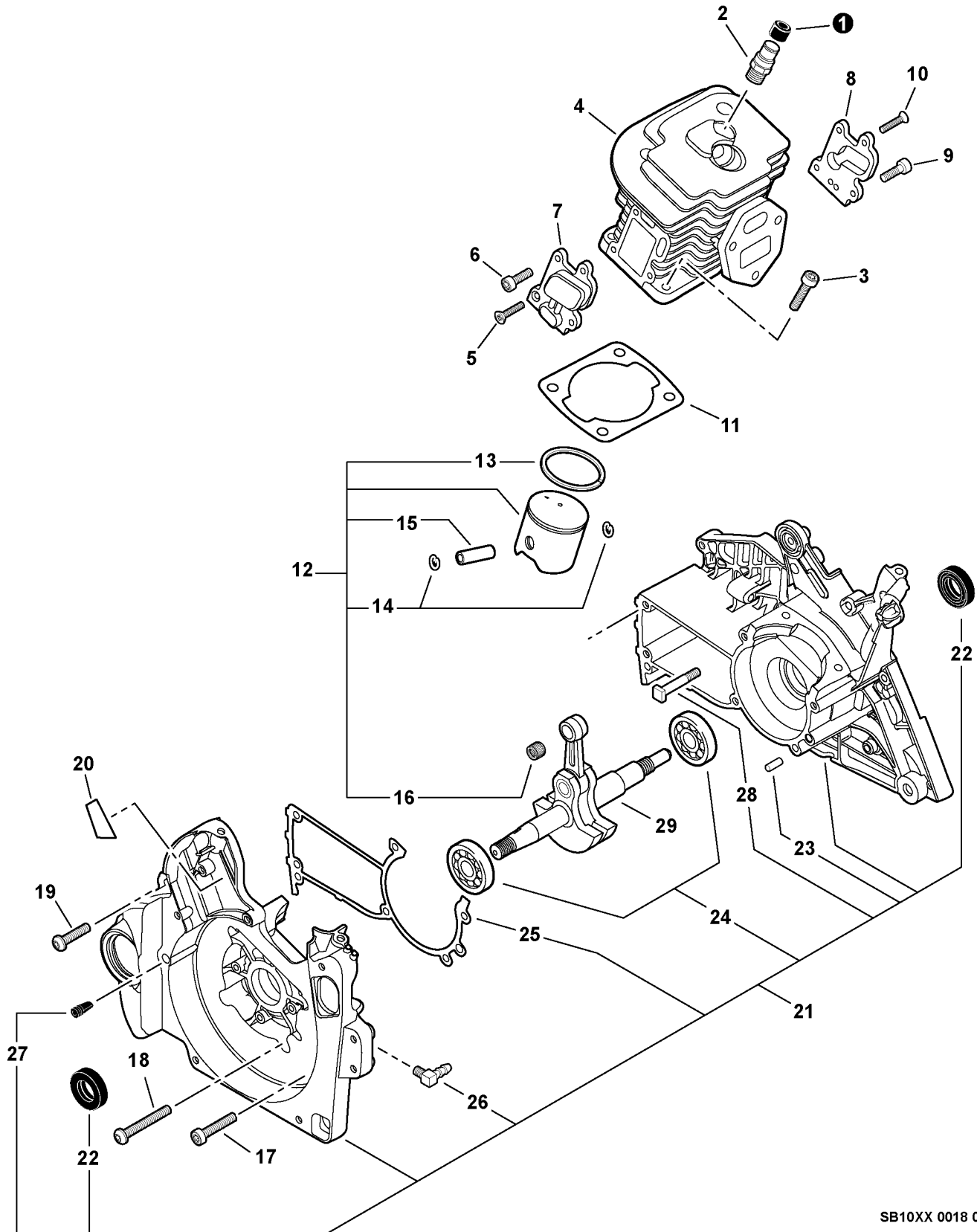
Handles, Oil System
Poignées, circuit d'huile

012 0016 000

| | | | | |
|----|---------------|---|--|--|
| ① | P021016031 | 1 | CAP ASY | ASS. CAPUCHON |
| 2 | + 90024603008 | 1 | SCREW - 3X8 | VIS - 3X8 |
| 3 | + 13105019830 | 1 | RETAINER, CONNECTOR | ATTACHE, CONNECTEUR |
| 4 | + 13105119830 | 1 | CONNECTOR, CAP | CONNECTEUR, CAPUCHON |
| 5 | + 90072000028 | 1 | O-RING - 28 | JOINT TORIQUE - 28 |
| 6 | V804000000 | 2 | SCREW - 4X12 | VIS - 4X12 |
| 7 | C022000051 | 1 | AUTO-OILER ASY | ASS. AUTO-GRAISSAGE |
| 8 | 13201309820 | 1 | CLIP - 6 | ANNEAU - 6 |
| 9 | C518000150 | 1 | BRACKET | SUPPORT |
| 10 | V470001791 | 1 | PIPE, OIL | TUYAU, HUILE |
| 11 | 13201309820 | 1 | CLIP - 6 | ANNEAU - 6 |
| 12 | 43721030830 | 1 | PIPE - 3X6X210 -- BLACK ⁽¹⁾ | TUYAU - 3X6X210 -- NOIR ⁽¹⁾ |
| 13 | 13211501461 | 1 | GROMMET | OUILLET |
| 14 | 43620514730 | 1 | FILTER, OIL | FILTRE, HUILE |
| 15 | 43611413930 | 1 | VALVE, CHECK | CLAPET, ANTI-RETOUR |
| 16 | V805000010 | 2 | SCREW - 5X20 | VIS - 5X20 |
| 17 | V456000090 | 1 | HOLDER, SPRING | SUPPORT, RESSORT |
| 18 | V805000010 | 1 | SCREW - 5X20 | VIS - 5X20 |
| 19 | V450001630 | 1 | SPRING | RESSORT |
| 20 | V805000000 | 2 | SCREW - 5X16 | VIS - 5X16 |
| 21 | C617000361 | 1 | STRAP, SAFETY | SANGLE DE SÉCURITÉ |
| 22 | V805000010 | 4 | SCREW - 5X20 | VIS - 5X20 |
| 23 | V806000000 | 1 | SCREW - 6X20 | VIS - 6X20 |
| 24 | C400001040 | 1 | HANDLE - FRONT | POIGNÉE - AVANT |
| 25 | V456000080 | 1 | HOLDER, SPRING | SUPPORT, RESSORT |
| 26 | V805000000 | 1 | SCREW - 5X16 | VIS - 5X16 |
| 27 | V450000730 | 1 | SPRING | RESSORT |
| 28 | V420003800 | 2 | CUSHION | COUSSIN |
| 29 | V805000000 | 1 | SCREW - 5X16 | VIS - 5X16 |
| 30 | V485001101 | 1 | LEAD - GROUND | FIL - TERRE |
| 31 | E106000150 | 1 | GUIDE, AIR | GUIDE , AIR |
| 32 | V359000060 | 1 | COLLAR | COLLET |
| 33 | V805000000 | 2 | SCREW - 5X16 | VIS - 5X16 |
| 34 | A206000021 | 1 | ADAPTER | ADAPTATEUR |
| 35 | A202000210 | 1 | BELLOWS | BELLOWS |
| 36 | 13201326630 | 1 | CLIP - 6.5 | ANNEAU |
| 37 | 13201202960 | 1 | PIPE, IMPULSE | TUYAU - 3X6X120 |
| 38 | A202000220 | 1 | BELLOWS | SOUFFLET |
| 39 | 43723914730 | 1 | NIPPLE | GRAISSEUR |
| 40 | V806000000 | 1 | SCREW - 6X20 | VIS - 6X20 |
| 41 | V456000101 | 1 | HOLDER, SPRING | SUPPORT, RESSORT |
| 42 | V450000770 | 1 | SPRING | RESSORT |
| 43 | A239000060 | 1 | DUCT, AIR INTAKE | ADMISSION AIR DU CONDUIT |
| 44 | C410001001 | 1 | HANDLE - REAR | POIGNÉE - ARRIÈRE |

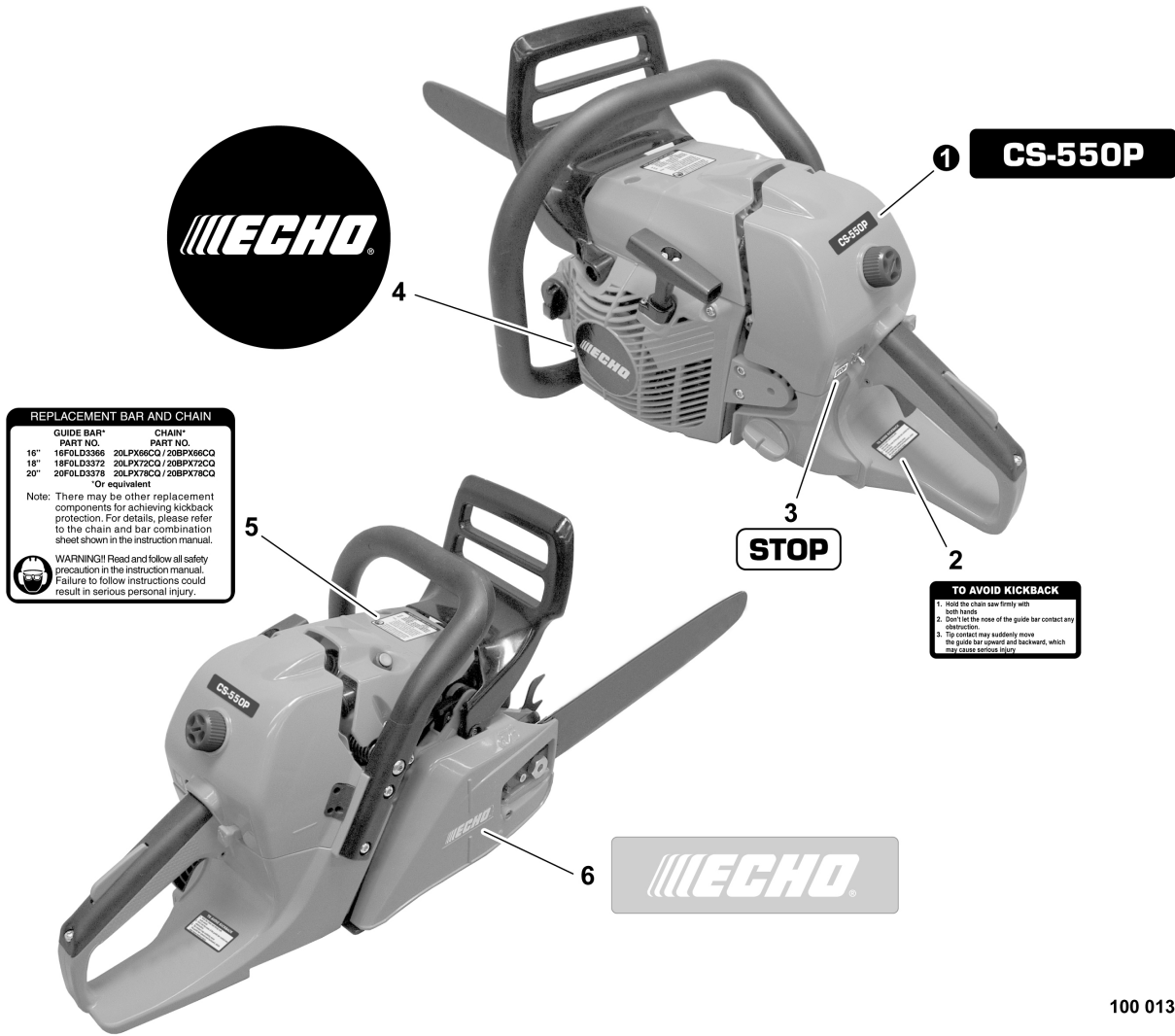
(FOOTNOTE) 1 - RePower BULK OPTION: 90015

(NOTA DEL PIE) 1 - OPTION EN BLOC de RePower: 90015



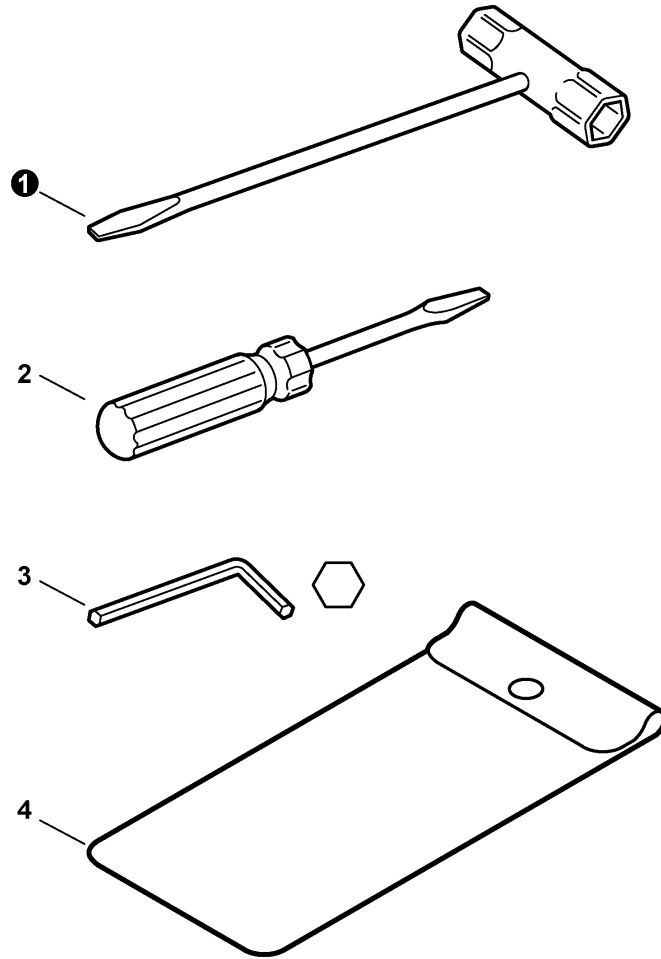
SB10XX 0018 000

| | | | | |
|----|---------------|---|-------------------------|---------------------------------|
| ① | V141000090 | 1 | COVER, DUST | ÉTUI À POUSSIÈRE |
| 2 | A014000040 | 1 | DECOMPRESSION ASY | ASS. DÉCOMPRESSION |
| 3 | V805000220 | 4 | SCREW - 5X25 | VIS - 5X25 |
| 4 | A130001740 | 1 | CYLINDER | CYLINDRE |
| 5 | 90021204014 | 1 | SCREW - 4X14 | VIS - 4X14 |
| 6 | V804000050 | 3 | SCREW - 4X12 | VIS - 4X12 |
| 7 | P021036660 | 1 | REED VALVE ASY - LEFT | ASS. SOUPAPE À CLAPETS - DROIT |
| 8 | P021036670 | 1 | REED VALVE ASY - RIGHT | ASS. SOUPAPE À CLAPETS - GAUCHE |
| 9 | V804000050 | 3 | SCREW - 4X12 | VIS - 4X12 |
| 10 | 90021204010 | 1 | SCREW - 4X14 | VIS - 4X10 |
| 11 | V100000630 | 1 | GASKET, CYLINDER | JOINT, CYLINDRE |
| 12 | P021036680 | 1 | PISTON KIT | KIT DE PISTON |
| 13 | A101000590 | 1 | RING, PISTON | SEGMENT, PISTON |
| 14 | + 10001532330 | 2 | RING, RETAINING | BAGUE, RETENUE |
| 15 | + V609000000 | 1 | PIN, PISTON | AXE, PISTON |
| 16 | + V556000000 | 1 | BEARING, NEEDLE | ROULEMENT, AIGUILLES |
| 17 | + V805000170 | 1 | SCREW - 5X25 | VIS - 5X25 |
| 18 | V805000020 | 4 | SCREW - 5X35 -- TAPPING | VIS - 5X35 -- AUTOTARAUDEUSE |
| 19 | V805000010 | 2 | SCREW - 5X20 | VIS - 5X20 |
| 20 | V376001780 | 1 | CUSHION | COUSSIN |
| 21 | P021036691 | 1 | CRANKCASE KIT | KIT DE CARTER |
| 22 | + V508000010 | 2 | SEAL, OIL | JOINT, HUILE |
| 23 | + 10021502830 | 2 | PIN, DOWEL | GOUPILLE, POSITIONNEMENT |
| 24 | + 9403646202 | 2 | BEARING, BALL - 6202 | ROULEMENT, BILLES - 6202 |
| 25 | + V102000210 | 1 | GASKET, CRANKCASE | JOINT, CARTER |
| 26 | + 43723914730 | 1 | NIPPLE | GRAISSEUR |
| 27 | + 43611413930 | 1 | VALVE, CHECK | CLAPET, ANTI-RETOUR |
| 28 | + V205000400 | 2 | STUD, GUIDE BAR | GOUJON, GUIDE-CHAÎNE |
| 29 | + A011001101 | 1 | CRANKSHAFT ASY | ASS. VILEBREQUIN |



100 0139 000

| | | | | |
|---|-------------|---|--------------------------|---|
| 1 | X503010420 | 1 | LABEL - MODEL -- CS-550P | ÉTIQUETTE - MODÈLE -- CS-550P |
| 2 | 89019130131 | 1 | LABEL - KICKBACK | ÉTIQUETTE - ATTENTION -- REBONDISSEMENT |
| 3 | 89015737330 | 1 | LABEL - STOP | ÉTIQUETTE - ATTACHE |
| 4 | X502000460 | 1 | LABEL - ECHO | ÉTIQUETTE - ECHO |
| 5 | X524003550 | 1 | LABEL - BAR & CHAIN | LABEL - BAR & CHAIN |
| 6 | X502000340 | 1 | LABEL - ECHO | ÉTIQUETTE - ECHO |



200 0011 000

| | | | | |
|---|-------------|---|--------------------|-----------------------------------|
| ① | X602000080 | 1 | T-WRENCH - 13X19mm | CLÉ À DOUILLE/TOURNEVIS - 13X19mm |
| 2 | 89581203930 | 1 | SCREWDRIVER | TOURNEVIS EN CROIX -- 50mm |
| 3 | X605000050 | 1 | HEX KEY | CLÉ HEXA |
| 4 | 89851039130 | 1 | BAG, TOOL | SAC, OUTIL |

PART NUMBER INDEX - ÍNDICE DEL NÚMERO DE PARTE

Click The Page Number After Any Part Number To View The Diagram Containing That Part
Chasque la página después de cualquier número de parte para ver el diagrama que contiene esa parte

| Part Number | Page | Part Number | Page | Part Number | Page | Part Number | Page |
|-------------|--------|-------------|------|-------------|---------------|-------------|------|
| ----- | 4, 6 | A160002310 | 4 | P003004260 | 6 | V805000020 | 17 |
| 10001532330 | 17 | A172000842 | 12 | P003004270 | 6 | V805000030 | 4 |
| 10014230830 | 13 | A202000210 | 15 | P003004280 | 6 | V805000130 | 12 |
| 10021502830 | 17 | A202000220 | 15 | P003004290 | 6 | V805000170 | 17 |
| 12311040630 | 6 | A206000021 | 15 | P003004300 | 6 | V805000210 | 7 |
| 12311240630 | 6 | A219000060 | 4 | P003004310 | 6 | V805000220 | 17 |
| 12311403930 | 6 | A226001610 | 4 | P003004320 | 6 | V806000000 | 15 |
| 12311440630 | 6 | A232001400 | 4 | P003004330 | 6 | V835000000 | 12 |
| 12311610530 | 6 | A235000200 | 4 | P021007050 | 11 | V855000000 | 7 |
| 12312205560 | 6 | A239000060 | 15 | P021015163 | 12 | X502000340 | 18 |
| 12312338330 | 6 | A239000070 | 4 | P021016031 | 15 | X502000460 | 18 |
| 12312610631 | 6 | A241000220 | 4 | P021016041 | 4 | X503010420 | 18 |
| 12312715030 | 6 | A300001560 | 7 | P021036660 | 17 | X524003550 | 18 |
| 12313719830 | 6 | A301000030 | 7 | P021036670 | 17 | X602000080 | 19 |
| 12313803930 | 6 | A310000090 | 7 | P021036680 | 17 | X605000050 | 19 |
| 12313905560 | 6 | A313001041 | 7 | P021036691 | 17 | | |
| 12314027230 | 6 | A313001670 | 7 | P021036890 | 4 | | |
| 12314203930 | 6 | A359000000 | 4 | V100000630 | 17 | | |
| 12314926030 | 6 | A365000050 | 4 | V102000210 | 17 | | |
| 12317815030 | 6 | A409000360 | 13 | V104001770 | 7 | | |
| 12318539130 | 6 | A411001190 | 13 | V130000030 | 4 | | |
| 13105019830 | 4, 15 | A425000000 | 13 | V131000200 | 4 | | |
| 13105119830 | 15 | A426000010 | 13 | V141000090 | 17 | | |
| 13120519831 | 4 | A427000013 | 13 | V142000070 | 4 | | |
| 13130056431 | 4 | A427000090 | 13 | V203000110 | 10 | | |
| 13201202960 | 15 | A429000040 | 13 | V205000400 | 17 | | |
| 13201309820 | 4, 15 | A440001190 | 13 | V265000250 | 10 | | |
| 13201326630 | 15 | A503000030 | 12 | V307000410 | 11 | | |
| 13211501461 | 4, 15 | A506000110 | 12 | V311000090 | 11 | | |
| 15011404920 | 13 | A511000070 | 12 | V341000140 | 4 | | |
| 15611004920 | 13 | A551000110 | 11 | V341000170 | 10 | | |
| 15901019830 | 13 | A552000110 | 11 | V355000270 | 10 | | |
| 17511412530 | 11 | A556001310 | 11 | V356000440 | 10 | | |
| 17721402830 | 12 | C022000051 | 15 | V356000470 | 10 | | |
| 17721819830 | 12 | C300000810 | 10 | V358000090 | 11 | | |
| 17722035430 | 12 | C302000011 | 10 | V359000060 | 15 | | |
| 17722607060 | 12 | C304000040 | 10 | V376000450 | 10 | | |
| 17723435430 | 12 | C305000390 | 10 | V376001780 | 17 | | |
| 17724704630 | 12 | C305000400 | 10 | V420003800 | 15 | | |
| 17809037930 | 4 | C309000150 | 10 | V450000730 | 15 | | |
| 20F0LD3378 | 8 | C310000010 | 10 | V450000740 | 10 | | |
| 20LPX78CQ | 8 | C320000410 | 10 | V450000770 | 15 | | |
| 2893201 | 8 | C328000121 | 10 | V450001630 | 15 | | |
| 43611413930 | 15, 17 | C334000110 | 10 | V451000500 | 11 | | |
| 43620514730 | 15 | C345000282 | 10 | V452000260 | 4 | | |
| 43721030830 | 15 | C400001040 | 15 | V452000400 | 10 | | |
| 43723914730 | 15, 17 | C410001001 | 15 | V456000080 | 15 | | |
| 89015737330 | 18 | C411000001 | 4 | V456000090 | 15 | | |
| 89019130131 | 18 | C450000360 | 4 | V456000101 | 15 | | |
| 89581203930 | 19 | C454000470 | 4 | V470001791 | 15 | | |
| 89851039130 | 19 | C518000150 | 15 | V471003080 | 4 | | |
| 90021204010 | 17 | C603000220 | 10 | V475006660 | 13 | | |
| 90021204014 | 17 | C617000361 | 15 | V485001091 | 13 | | |
| 90024603008 | 4, 15 | E106000150 | 15 | V485001101 | 15 | | |
| 90034540025 | 4 | P003000010 | 6 | V508000010 | 17 | | |
| 90051500008 | 13 | P003000100 | 6 | V555000160 | 11 | | |
| 90060300005 | 12 | P003001510 | 6 | V556000000 | 17 | | |
| 90070100015 | 11 | P003001850 | 6 | V581000600 | 4 | | |
| 90072000028 | 15 | P003002080 | 6 | V583000130 | 11 | | |
| 9132503005 | 10 | P003002110 | 6 | V609000000 | 17 | | |
| 93050300080 | 10 | P003002150 | 6 | V651000001 | 10 | | |
| 9403646202 | 17 | P003002160 | 6 | V651000011 | 10 | | |
| A011001101 | 17 | P003002200 | 6 | V652000050 | 11 | | |
| A014000040 | 17 | P003002230 | 6 | V804000000 | 4, 10, 15 | | |
| A021003420 | 6 | P003004060 | 6 | V804000030 | 7 | | |
| A056000220 | 11 | P003004220 | 6 | V804000050 | 17 | | |
| A101000590 | 17 | P003004230 | 6 | V805000000 | 4, 10, 13, 15 | | |
| A130001740 | 17 | P003004250 | 6 | V805000010 | 12, 15, 17 | | |