



Accessories for ECHO products can be found at:

Los accesorios para los productos ECHO se pueden encontrar en:

www.echo-usa.com/products/catalogs

OPTIONAL ACCESSORIES & ATTACHMENTS:

| | |
|--------------------------------|-------------|
| 20mm Blade Conversion Kit | 99944200411 |
| Universal Blade Conversion Kit | 99944200415 |
| Barrier Bar | 99944200455 |
| Tiller/Cultivator Attachment | SRAC-200 |

ACCESORIOS & ACCESORIOS OPCIONALES:

| | |
|---|-------------|
| Kit de Conversión a Cuchilla - 20mm | 99944200411 |
| Kit de Conversión a Cuchilla, Universal | 99944200415 |
| Barra de Barrera | 99944200455 |
| Aditamento de motoazadón | SRAC-200 |

CUTTING BLADES:

| | |
|-----------------------------------|-------------|
| 80 Tooth Blade - 20mm Arbor - 8" | 69500120331 |
| Tri Cut Blade - 20mm Arbor | 99944200035 |
| 3 Cutter Metal Blade - 20mm Arbor | 99944200047 |
| 22 Tooth Saw Blade - 20mm Arbor | 99944200130 |
| Blade Protector - 8" | P021016360 |

CUCHILLAS DE CORTE:

| | |
|---|-------------|
| Cuchilla de 80 Dientes - Árbol 20mm - 8" | 69500120331 |
| Cuchilla Tri-Cut - Árbol de 20mm | 99944200035 |
| Cuchilla Metálica de 3 aspas - Árbol 20mm | 99944200047 |
| Cuchilla, 22 Dientes - Árbol de 20mm | 99944200130 |
| Blade Protector - 8" | P021016360 |

CUTTING HEADS:

| | |
|----------------------------|-------------|
| ECHOmatic Pro Head | 21560031 |
| ECHOmatic Head | 21560050 |
| 2-Line Rapid Loader Head | 21560056 |
| Manual Dual Line Head | 21560060 |
| ECHOmatic Head | 21560070 |
| Heavy Duty Fixed Line Head | 99944200220 |

CABEZAS CORTADORAS:

| | |
|--|-------------|
| Cabeza ECHOmatic Pro (SRM) | 21560031 |
| Cabeza ECHOmatic | 21560050 |
| Cabeza Rapid Loader de 2 Cordones | 21560056 |
| Cabeza Manual de dos Cordones | 21560060 |
| Cabeza ECHOmatic de Recortadora (SRM) | 21560070 |
| Cabeça de Linha Fixa para Serviço Pesado | 99944200220 |

ECHO, INCORPORATED

400 Oakwood Road, Lake Zurich, Illinois 60047

WWW.ECHO-USA.COM

©2015 ECHO, Incorporated. All Rights Reserved

PARTS CATALOG
LISTA DE PIEZAS

SRM-225U
Brushcutter

SRM-225U Desbrozadora



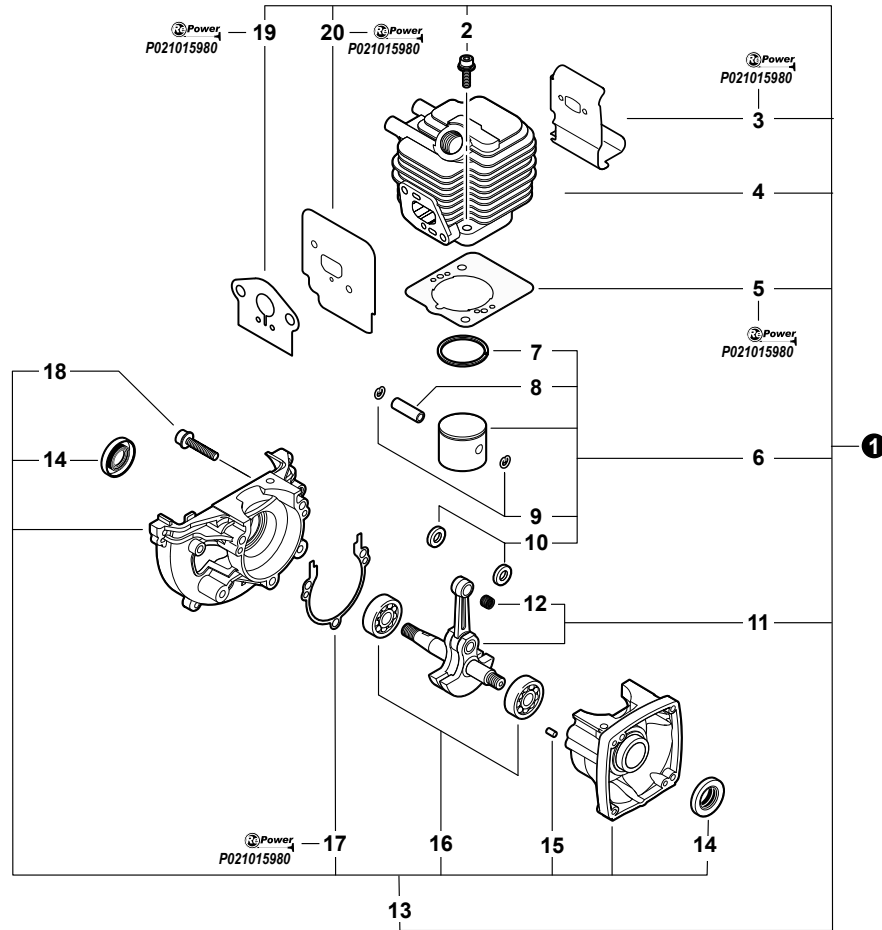
21.2 cc

SERIAL NUMBER
NÚMERO DE SERIE

S79111001001 - S79111999999

P/N 99922200785
REVISED 01/30/15

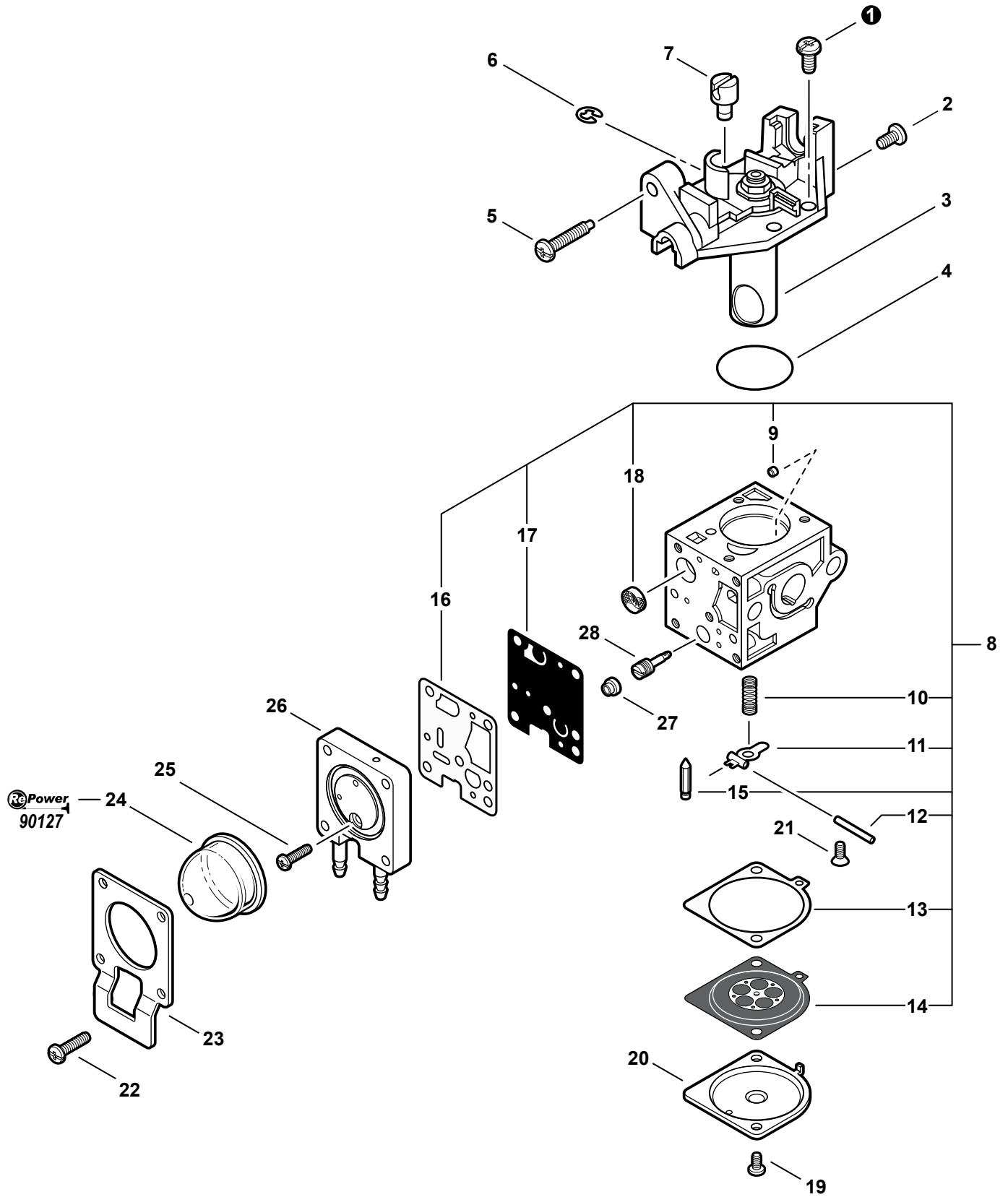
| | | | |
|---|-----------|---|-----------|
| Engine | 3 | Gear Case | |
| Motor | | S/N: S79111003557 - S79111999999 | 18 |
| Carburetor - RB-K93 | 4 | Caja de Angranajes S/N: S79111003557 - | |
| Carburador - RB-K93 | | S79111999999 | |
| Carburetor - RB-K93 | 5 | Debris Shield | 19 |
| Carburador - RB-K93 | | Protector Contra Residuos | |
| Intake | 6 | Debris Shield - Metal | 20 |
| Admisión | | Protector Contra Residuos - Metálico | |
| Exhaust | 7 | Shoulder Harness | 21 |
| Escape | | Arnés Para El Hombro | |
| Engine Cover, Starter | 8 | 8 Tooth Blade - 20mm Arbor -- 8" | 22 |
| Cubierta del Motor, Arrancador | | Cuchilla de 8 Dientes - Árbol de 20mm -- 8" | |
| Ignition | | SPEED-FEED 400 Trimmer Head | 23 |
| S/N: S79111001001 - S79111002066 | 9 | Cabeza SPEED-FEED 400 de Recortadora | |
| Encendido S/N: S79111001001 - S79111002066 | | SPEED-FEED 375 Trimmer Head | 24 |
| Ignition | | Cabeza SPEED-FEED 375 de Recortadora | |
| S/N: S79111002067 - S79111999999 | 10 | U-Turn Head | 25 |
| Encendido S/N: S79111002067 - S79111999999 | | Cabeza de Vuelta en U | |
| Fuel System | | Labels | 26 |
| S/N: S79111001001 - S79111002294 | 11 | Etiquetas | |
| Sistema de combustible S/N: S79111001001 - | | Tools | 27 |
| S79111002294 | | Herramientas | |
| Fuel System | | RePower Maintenance Kits | 28 |
| S/N: S79111002295 - S79111999999 | 12 | Kits de Mantenimiento RePower | |
| Sistema de combustible S/N: S79111002295 - | | | |
| S79111999999 | | | |
| Fan Case | 13 | | |
| Carcasa del Ventilador | | | |
| Handles, Throttle Control | 14 | | |
| Mangos, Control del Acelerador | | | |
| Handles, Throttle Control | 15 | | |
| Mangos, Control del Acelerador | | | |
| Main Pipe Assembly | 16 | | |
| Conjunto del Tubo Principle | | | |
| Gear Case | | | |
| S/N: S79111001001 - S79111003556 | 17 | | |
| Caja de Angranajes S/N: S79111001001 - | | | |
| S79111003556 | | | |



| NO. | PART NUMBER | QTY. | DESCRIPTION | DESCRIPCIÓN |
|-----|-------------|------|------------------------------------|-------------------------------------|
| 1 | SB1096 | 1 | SHORT BLOCK -- SB1096 | BLOQUE CORTO -- SB1096 |
| 2 | 90016205022 | 2 | +SCREW - 5×22 | +TORNILLO - 5×22 |
| 3 | V104000850 | 1 | +SHIELD, EXHAUST ⁽¹⁾ | +PROTECTOR, ESCAPE ⁽¹⁾ |
| 4 | A130000540 | 1 | +CYLINDER | +CILINDRO |
| 5 | V100000160 | 1 | +GASKET, CYLINDER ⁽¹⁾ | +JUNTA, CILINDRO ⁽¹⁾ |
| 6 | P021007712 | 1 | +PISTON KIT | +KIT DE PISTÓN |
| 7 | A101000090 | 1 | ++RING, PISTON | ++ANILLO, PISTÓN |
| 8 | 10001311520 | 1 | ++PIN, PISTON | ++PASADOR, PISTÓN |
| 9 | 10001504630 | 2 | ++RING, RETAINING | ++ANILLO, RETÉN |
| 10 | 10001411520 | 2 | ++SPACER, PISTON | ++ESPACIADOR, PISTÓN |
| 11 | A011000101 | 1 | +CRANKSHAFT ASSY | +CONJUNTO DE CIGÜEÑAL |
| 12 | V553000060 | 1 | ++BEARING, NEEDLE - 8 | ++COJINETE, DE AGUJAS - 8 |
| 13 | 10020452132 | 1 | +CRANKCASE KIT | +KIT DE CÁRTER |
| 14 | 10021242031 | 2 | ++SEAL, OIL | ++SELLO, ACEITE |
| 15 | 90033040080 | 2 | ++PIN, LOCATING - 4×8 | ++PASADOR DE POSICIONAMIENTO - 4×8 |
| 16 | 9403536201 | 2 | ++BEARING, BALL - 6201 | ++COJINETE DE BOLAS |
| 17 | 10024242030 | 1 | ++GASKET, CRANKCASE ⁽¹⁾ | ++JUNTA, CÁRTER ⁽¹⁾ |
| 18 | 90016205028 | 3 | ++SCREW - 5×28 | ++TORNILLO - 5×28 |
| 19 | V103001500 | 1 | +GASKET, INTAKE ⁽¹⁾ | +JUNTA, ADMISIÓN ⁽¹⁾ |
| 20 | V103001360 | 1 | +SHIELD, INTAKE ⁽¹⁾ | +PROTECTOR, ADMISIÓN ⁽¹⁾ |

(FOOTNOTE) 1 - See RePower Maintenance Page

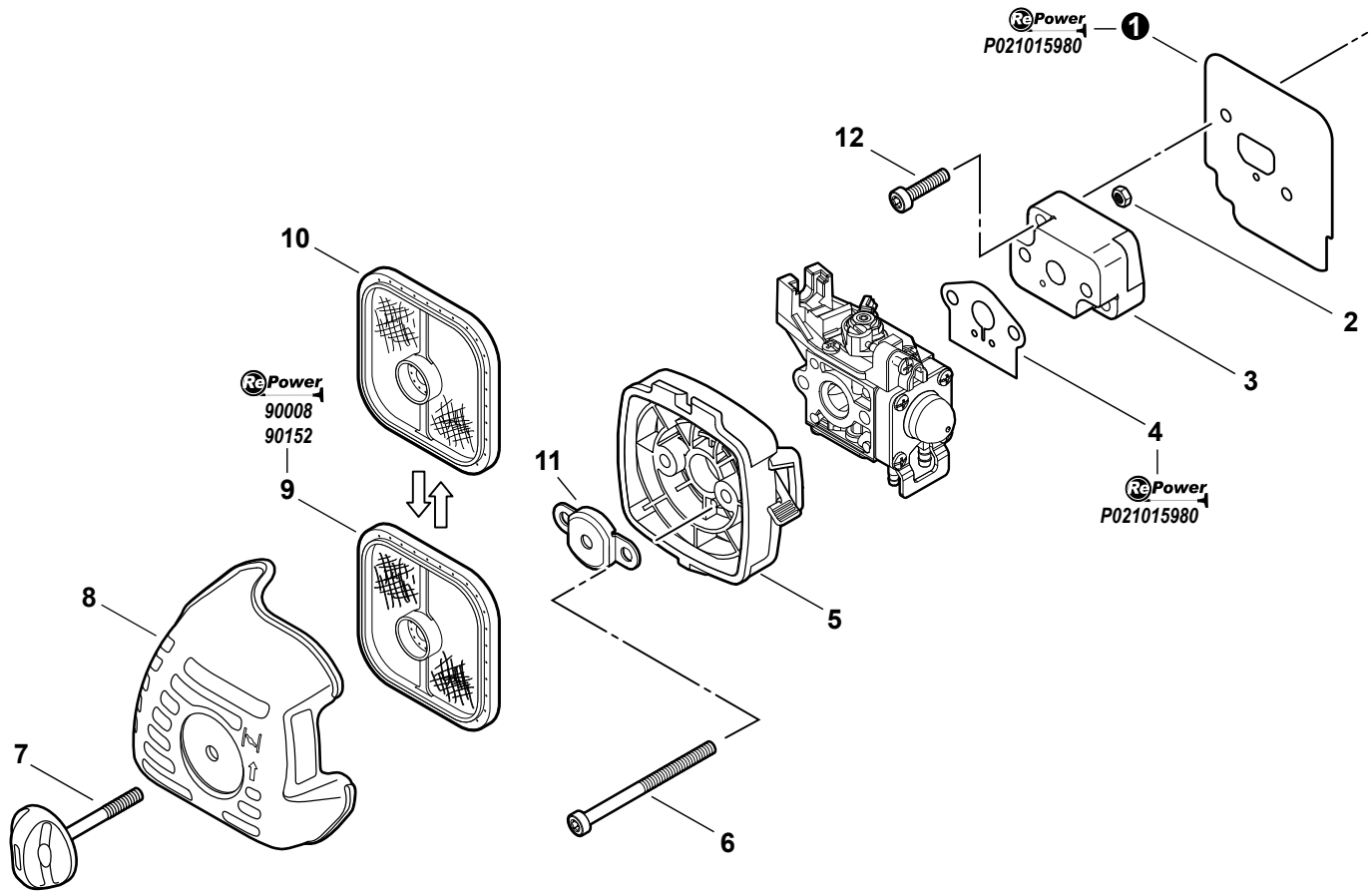
(NOTA DEL PIE) 1 - Vea RePower de mantenimiento página



| NO. | PART NUMBER | QTY. | DESCRIPTION | DESCRIPCIÓN |
|----------|-------------------|----------|-----------------------------|--|
| | A021001690 | 1 | CARBURETOR -- RB-K93 | CARBURADOR -- RB-K93 |
| 1 | 12534413931 | 3 | +SCREW | +TORNILLO |
| 2 | 12534452130 | 1 | +SCREW | +TORNILLO |
| 3 | P005002050 | 1 | +ROTOR COVER ASSY | +CONJUNTO DE CUBIERTA DEL ROTOR |
| 4 | P005000280 | 1 | +O-RING | +ANILLO O |
| 5 | P005000100 | 1 | +SCREW, IDLE ADJUST | +TORNILLO, AJUSTE DE RALENTÍ |
| 6 | P005000190 | 1 | +RING, RETAINING | +ANILLO, RETÉN |
| 7 | P005002090 | 1 | +SWIVEL | +PIVOTE |
| 8 | P005001670 | 1 | +REPAIR KIT | +KIT DE REPARACIÓN |
| 9 | P005001000 | 1 | ++GUIDE, ROLLER | ++GUÍA, RODILLO |
| 10 | ----- | 1 | ++SPRING, METERING LEVER | ++RESORTE, PALANCA DE DOSIFICACIÓN |
| 11 | ----- | 1 | ++LEVER, METERING | ++PALANCA, DOSIFICACIÓN |
| 12 | ----- | 1 | ++PIN, METERING LEVER | ++PASADOR, PALANCA DE DOSIFICACIÓN |
| 13 | ----- | 1 | ++DIAPHRAGM, METERING | ++DIAFRAGMA, DOSIFICACIÓN |
| 14 | ----- | 1 | ++GASKET, DIAPHRAGM | ++JUNTA, DIAFRAGMA |
| 15 | ----- | 1 | ++VALVE, INLET NEEDLE | ++VÁLVULA DE AGUJA, ADMISIÓN |
| 16 | ----- | 1 | ++GASKET, PUMP | ++JUNTA, BOMBA |
| 17 | ----- | 1 | ++DIAPHRAGM, PUMP | ++DIAFRAGMA, BOMBA |
| 18 | ----- | 1 | ++STRAINER | ++TAMIZ |
| 19 | 12534452130 | 2 | +SCREW | +TORNILLO |
| 20 | 12534252130 | 1 | +COVER, METERING | +CUBIERTA, MEDICIÓN |
| 21 | 12533942030 | 1 | +SCREW, METERING LEVER PIN | +TORNILLO, PASADOR DE RETÉN |
| 22 | P005001900 | 4 | +SCREW, PURGE BULB RETAINER | +TORNILLO, RETÉN DEL BULBO DE LA PURGA |
| 23 | P005000250 | 1 | +RETAINER, PURGE BULB | +RETÉN, BULBO DE LA PURGA |
| 24 | 12538108660 | 1 | +BULB, PURGE ⁽¹⁾ | +BULBO, PURGA ⁽¹⁾ |
| 25 | P005000270 | 1 | +SCREW, PURGE BASE | +TORNILLO, BASE, PURGA |
| 26 | P005001890 | 1 | +BASE, PURGE | +BASE, PURGA |
| 27 | P005001270 | 1 | +PLUG | +TAPÓN |
| 28 | P005001260 | 1 | +NEEDLE - HIGH SPEED | +AGUJA - ALTA VELOCIDAD |

(FOOTNOTE) 1 - See RePower Maintenance Page

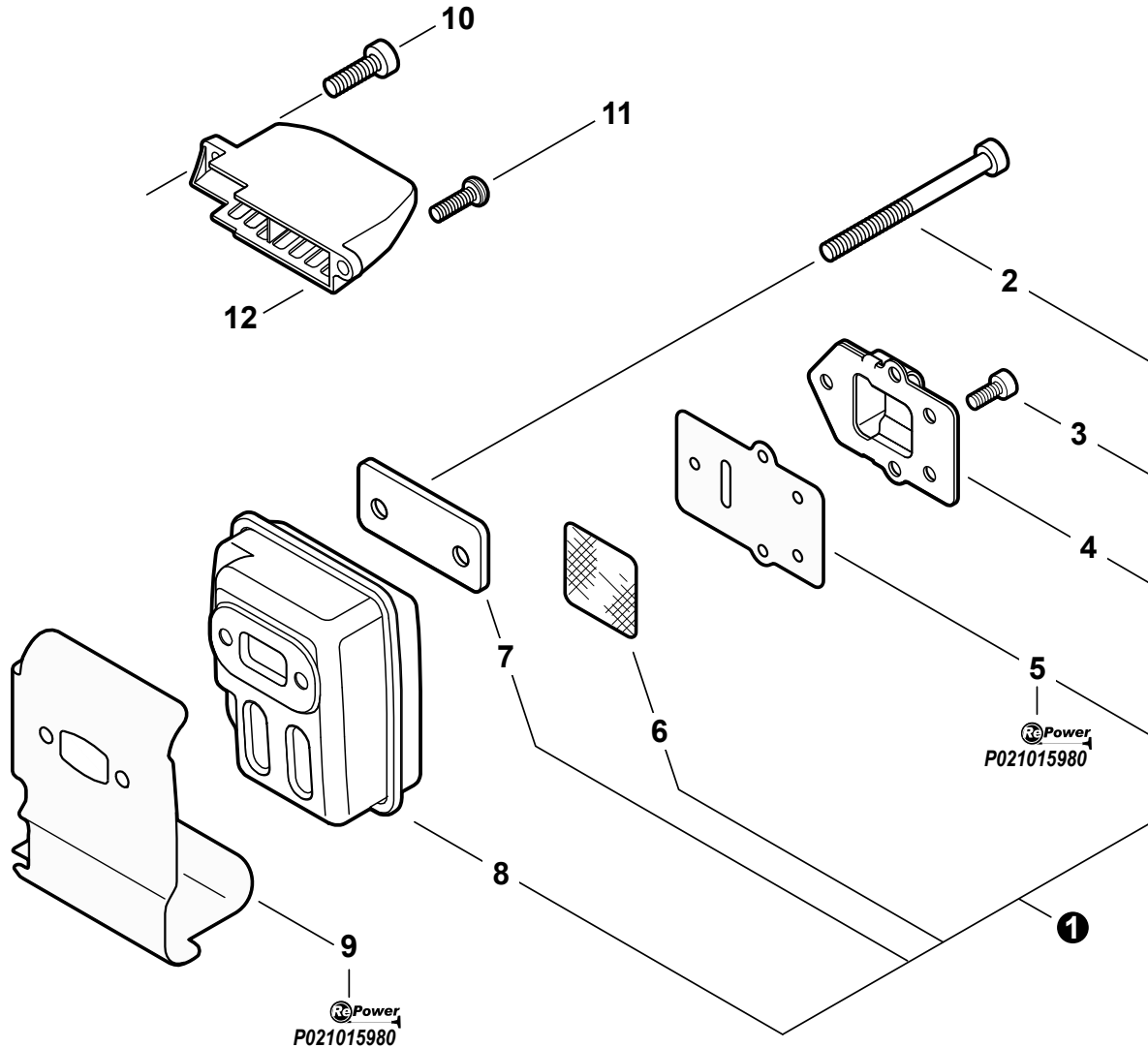
(NOTA DEL PIE) 1 - Vea RePower de mantenimiento página



| NO. | PART NUMBER | QTY. | DESCRIPTION | DESCRIPCIÓN |
|-----|-------------|------|---|--|
| 1 | V103001360 | 1 | SHIELD, INTAKE ⁽²⁾ | PROTECTOR, ADMISIÓN ⁽²⁾ |
| 2 | 90050000005 | 2 | NUT - 5 | TUERCA - 5 |
| 3 | 13001744331 | 1 | INSULATOR, INTAKE | ADMISIÓN, ADMISIÓN |
| 4 | V103001500 | 1 | GASKET, INTAKE ⁽²⁾ | JUNTA, ADMISIÓN ⁽²⁾ |
| 5 | P021012870 | 1 | CASE, AIR FILTER | CARCASA, FILTRO DE AIRE |
| 6 | V805000100 | 2 | SCREW - 5×65 -- TORX | TORNILLO - 5×65 -- TORX |
| 7 | V299000250 | 1 | THUMBSCREW | TORNILLO, DE OREJETAS |
| 8 | A232000480 | 1 | COVER, AIR FILTER | CUBIERTA, FILTRO DE AIRE |
| 9 | A226001410 | 1 | FILTER, AIR - DOUBLE LAYER ⁽²⁾ | FILTRO DE AIRE - CAPA DOBLE ⁽²⁾ |
| 10 | 13031054130 | 1 | FILTER, AIR - SINGLE LAYER ⁽¹⁾ | FILTRO DE AIRE - CAPA ÚNICA ⁽¹⁾ |
| 11 | 12901152730 | 1 | PLATE, PREVENT | PLACA, PRE-RESPIRADERO |
| 12 | V805000160 | 2 | SCREW - 5×20 | TORNILLO - 5×20 |

(FOOTNOTE) 1 - OPTIONAL
2 - See RePower Maintenance Page

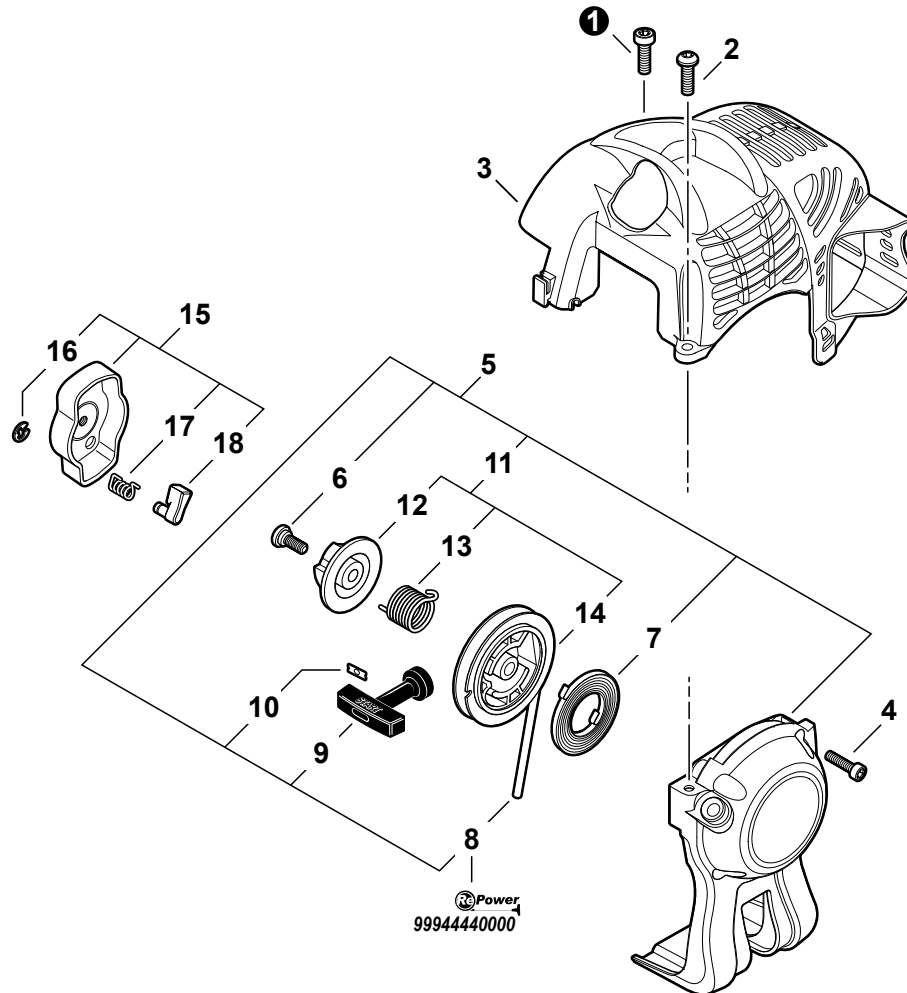
(NOTA DEL PIE) 1 - OPCIONAL
2 - Vea RePower de mantenimiento página



| NO. | PART NUMBER | QTY. | DESCRIPTION | DESCRIPCIÓN |
|-----|-------------|------|---------------------------------|----------------------------------|
| 1 | P021036110 | 1 | MUFFLER ASSY | CONJUNTO DE SILENCIADOR |
| 2 | V805000190 | 2 | +SCREW - 5x55 | +TORNILLO - 5x55 |
| 3 | V804000030 | 5 | +SCREW - 4x8 -- TORX | +TORNILLO - 4x8 -- TORX |
| 4 | A313000600 | 1 | +GUIDE, EXHAUST | +GUÍA, ESCAPE |
| 5 | V104001760 | 1 | +GASKET, EXHAUST ⁽¹⁾ | +JUNTA, ESCAPE ⁽¹⁾ |
| 6 | 14586240630 | 1 | +SCREEN, SPARK ARRESTER | +PANTALLA, SUPRESOR DE CHISPAS |
| 7 | V150000371 | 1 | +PLATE | +PLACA |
| 8 | A300000810 | 1 | +MUFFLER | +SILENCIADOR |
| 9 | V104000850 | 1 | SHIELD, EXHAUST ⁽¹⁾ | PROTECTOR, ESCAPE ⁽¹⁾ |
| 10 | V805000150 | 1 | SCREW - 5x16 | TORNILLO - 5x16 |
| 11 | V805000000 | 1 | SCREW - 5x16 | TORNILLO - 5x16 |
| 12 | A320000480 | 1 | DUCT, AIR | DUCTO, AIRE |

(FOOTNOTE) 1 - See RePower Maintenance Page

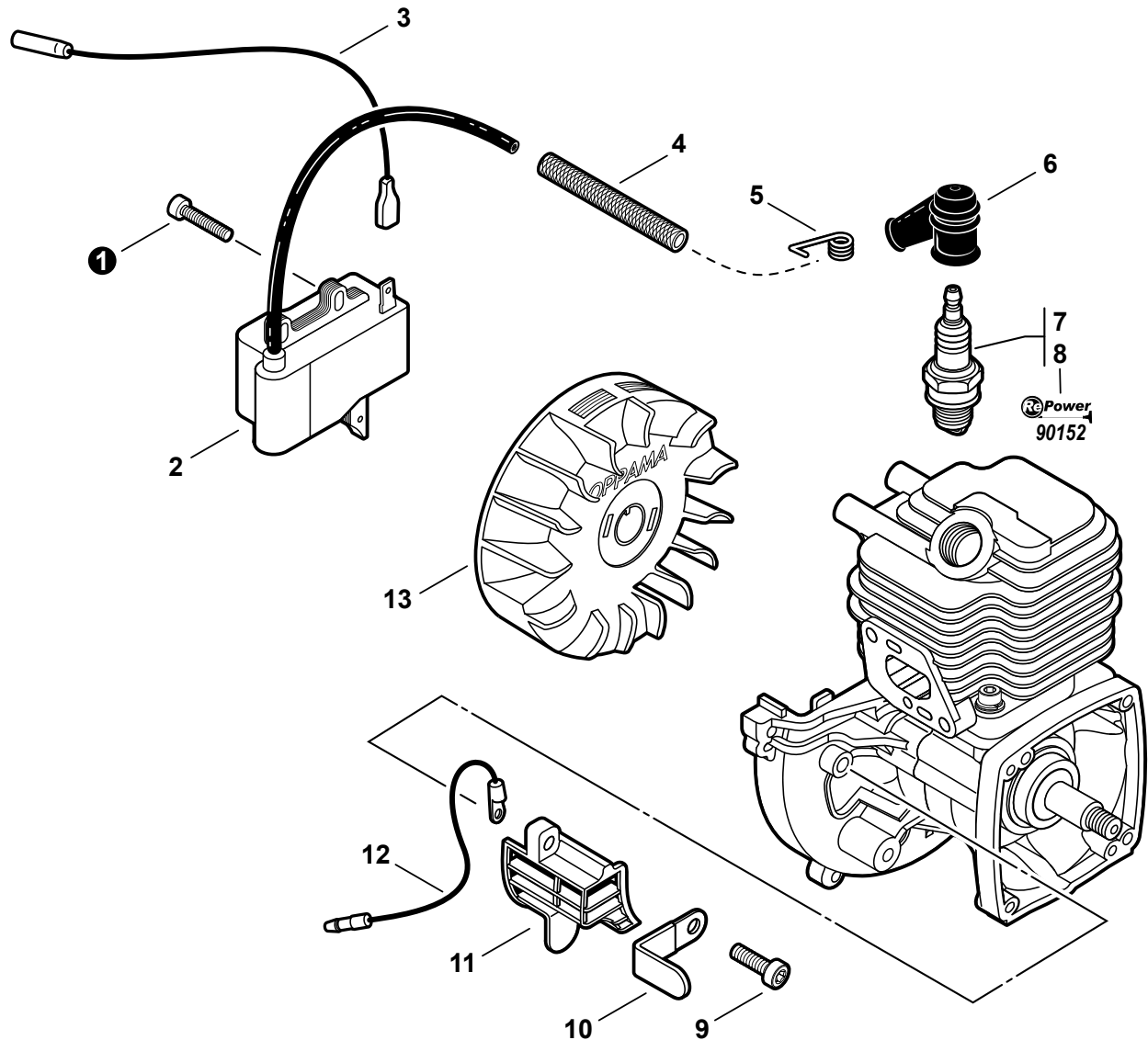
(NOTA DEL PIE) 1 - Vea RePower de mantenimiento página



| NO. | PART NUMBER | QTY. | DESCRIPTION | DESCRIPCIÓN |
|-----|-------------------|----------|---------------------------------------|---|
| 1 | V805000150 | 1 | SCREW - 5×16 | TORNILLO - 5×16 |
| 2 | V805000000 | 1 | SCREW - 5×16 | TORNILLO - 5×16 |
| 3 | A160001090 | 1 | COVER, ENGINE | CUBIERTA, MOTOR |
| 4 | V804000060 | 4 | SCREW - 4×16 | TORNILLO - 4×16 |
| 5 | A051001311 | 1 | STARTER ASSY | CONJUNTO DE ARRANCADOR |
| 6 | 17723661830 | 1 | +SCREW | +TORNILLO |
| 7 | P022019680 | 1 | +SPRING, REWIND | +RESORTE, REBOBINADO |
| 8 | P022019990 | 1 | +ROPE, STARTER - 3×700 ⁽¹⁾ | +CUERDA, ARRANCADOR - 3×700 ⁽¹⁾ |
| 9 | 17722827030 | 1 | +GRIP, STARTER | +AGARRE, ARRANCADOR |
| 10 | 17724611120 | 1 | +RETAINER, ROPE | +RETÉN, CUERDA |
| 11 | P050009920 | 1 | +ROPE REEL KIT | +CONJUNTO DE CARRETE DE CORDÓN |
| 12 | A525000020 | 1 | ++PLATE, CAM | ++PLACA, LEVA |
| 13 | P022008270 | 1 | ++SPRING, DAMPER | ++RESORTE, AMORTIGUADOR |
| 14 | A506000500 | 1 | ++REEL, ROPE | ++CARRETE, CUERDA |
| 15 | A052000180 | 1 | STARTER PAWL ASSY | CONJUNTO DE TRINQUETE DEL ARRANCADOR |
| 16 | P022002100 | 2 | +RING, RETAINING - 4 | +ANILLO, RETÉN - 4 |
| 17 | 17723412220 | 2 | +SPRING, RETURN | +RESORTE, RETORNO |
| 18 | P022006850 | 2 | +PAWL | +TRINQUETE |

(FOOTNOTE) 1 - See RePower Maintenance Page

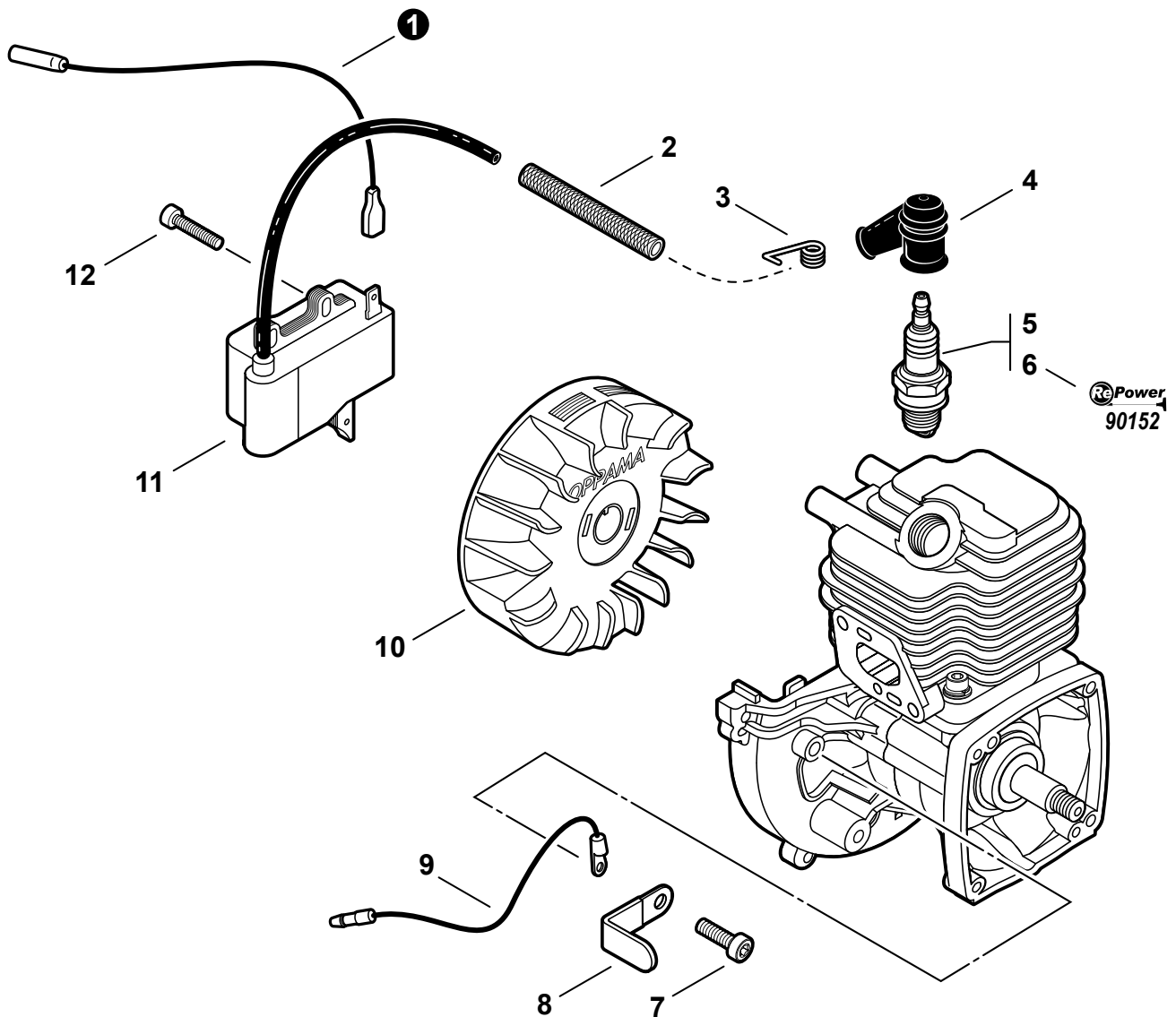
(NOTA DEL PIE) 1 - Vea RePower de mantenimiento página



| NO. | PART NUMBER | QTY. | DESCRIPTION | DESCRIPCIÓN |
|-----|-------------|------|---|------------------------------------|
| 1 | V804000070 | 2 | SCREW - 4x20 -- TORX | TORNILLO - 4x20 -- TORX |
| 2 | A411000130 | 1 | COIL, IGNITION | BOBINA, IGNICIÓN |
| 3 | V485001120 | 1 | LEAD - IGNITION | CABLE - IGNICIÓN |
| 4 | V475004160 | 1 | TUBE, INSULATOR | TUBO, AISLANTE |
| 5 | A426000010 | 1 | TERMINAL, SPARK PLUG CAP | TERMINAL, CAPUCHÓN DE BUJÍA |
| 6 | A427000013 | 1 | CAP, SPARK PLUG | TAPA, BUJÍA |
| 7 | 15901019830 | 1 | SPARK PLUG -- BPM-8Y | BUJÍA -- BPM-8Y |
| 8 | A425000000 | 1 | SPARK PLUG -- BPMR-8Y ⁽¹⁾⁽²⁾ | BUJÍA -- BPMR-8Y ⁽¹⁾⁽²⁾ |
| 9 | V805000150 | 1 | SCREW - 5x16 | TORNILLO - 5x16 |
| 10 | 15911621231 | 1 | CLAMP | ABRAZADERA |
| 11 | A127000160 | 1 | COVER, DEBRIS | CUBIERTA, RESIDUOS |
| 12 | 15663543130 | 1 | LEAD - GROUND | CABLE - DE TIERRA |
| 13 | A409000210 | 1 | FLYWHEEL | VOLANTE |

(FOOTNOTE) 1 - See RePower Maintenance Page
2 - CANADA MODELS

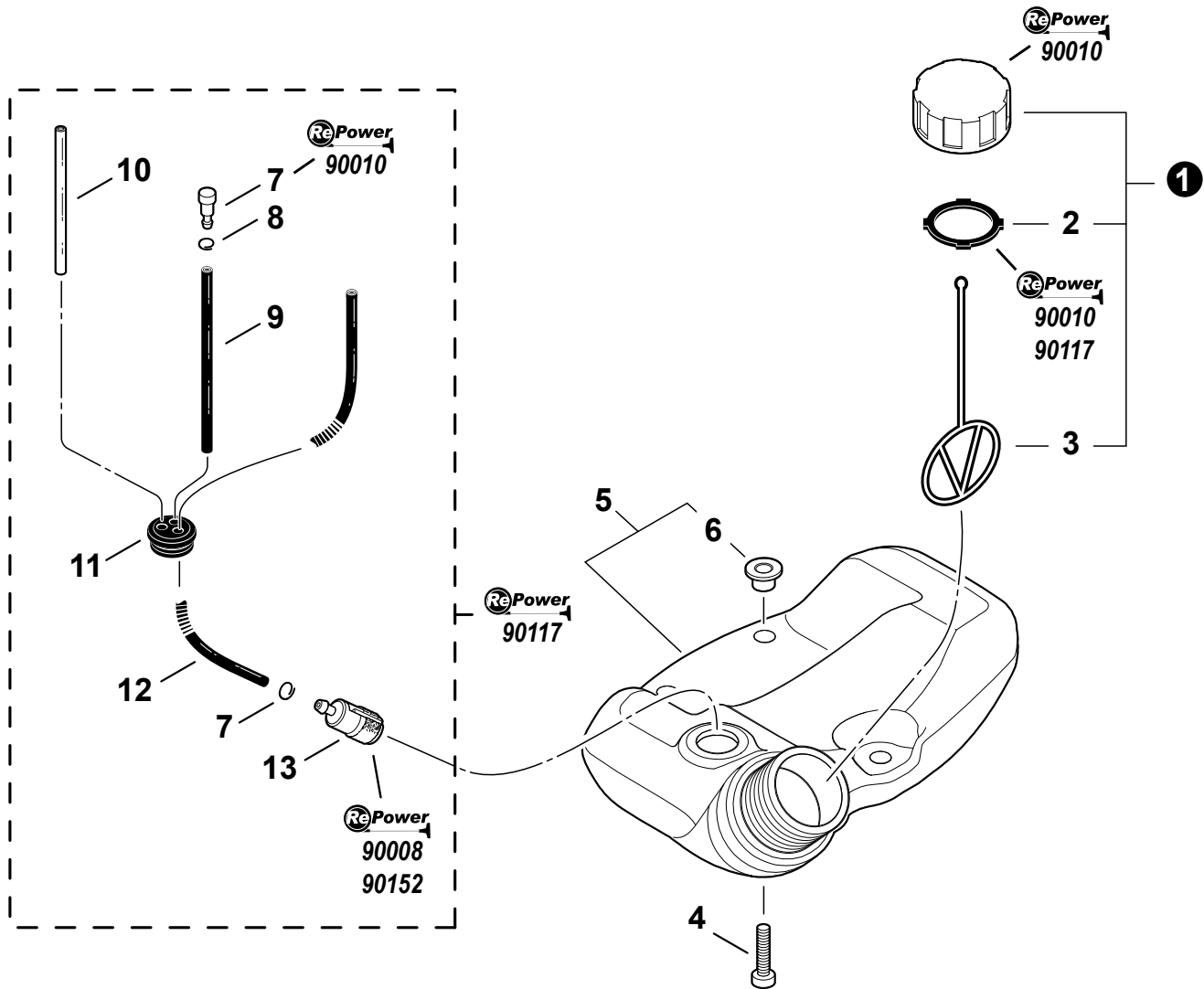
(NOTA DEL PIE) 1 - Vea RePower de mantenimiento página
2 - MODELOS DE CANADÁ



| NO. | PART NUMBER | QTY. | DESCRIPTION | DESCRIPCIÓN |
|-----|-------------|------|---|------------------------------------|
| 1 | V485001120 | 1 | LEAD - IGNITION | CABLE - IGNICIÓN |
| 2 | V475007200 | 1 | TUBE, INSULATOR | TUBO, AISLANTE |
| 3 | A426000010 | 1 | TERMINAL, SPARK PLUG CAP | TERMINAL, CAPUCHÓN DE BUJÍA |
| 4 | A427000013 | 1 | CAP, SPARK | PLUG TAPA, BUJÍA |
| 5 | 15901019830 | 1 | SPARK PLUG -- BPM-8Y | BUJÍA -- BPM-8Y |
| 6 | A425000000 | 1 | SPARK PLUG -- BPMR-8Y ⁽¹⁾⁽²⁾ | BUJÍA -- BPMR-8Y ⁽¹⁾⁽²⁾ |
| 7 | V805000130 | 1 | SCREW - 5×10 | TORNILLO - 5×10 |
| 8 | 15911621231 | 1 | CLAMP | ABRAZADERA |
| 9 | 15663543130 | 1 | LEAD - GROUND | CABLE - DE TIERRA |
| 10 | A409000210 | 1 | FLYWHEEL | VOLANTE |
| 11 | A411000130 | 1 | COIL, IGNITION | BOBINA, IGNICIÓN |
| 12 | V804000070 | 2 | SCREW - 4×20 -- TORX | TORNILLO - 4×20 -- TORX |

(FOOTNOTE) 1 - See RePower Maintenance Page
 2 - CANADA MODELS

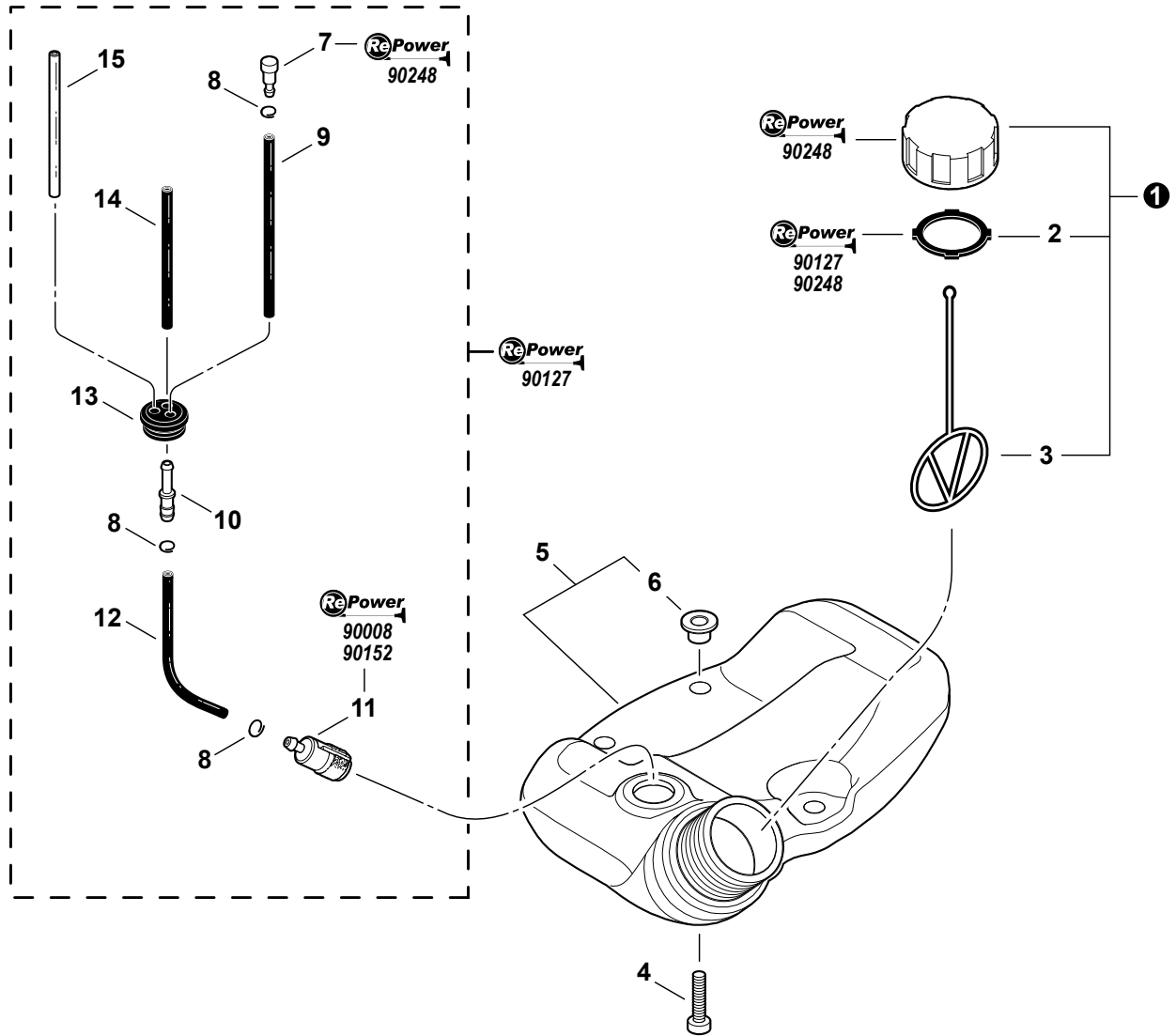
(NOTA DEL PIE) 1 - Vea RePower de mantenimiento página
 2 - MODELOS DE CANADÁ



| NO. | PART NUMBER | QTY. | DESCRIPTION | DESCRIPCIÓN |
|-----|-------------|------|--|---|
| 1 | P021012210 | 1 | CAP ASSY | CONJUNTO DE TAPA |
| 2 | 13101655830 | 1 | GASKET, CAP ⁽¹⁾ | JUNTA, TAPA ⁽¹⁾ |
| 3 | A365000060 | 1 | CONNECTOR, CAP | CONECTOR, TAPA |
| 4 | V805000160 | 3 | SCREW - 5×20 | TORNILLO - 5×20 |
| 5 | A350000780 | 1 | FUEL TANK ASSY | CONJUNTO DE TANQUE DE COMBUSTIBLE |
| 6 | V353000231 | 3 | +SPACER | +ESPACIADOR |
| 7 | 13201309820 | 2 | CLIP - 6 ⁽¹⁾ | GANCHO - 6 ⁽¹⁾ |
| 8 | A356000031 | 1 | VENT, FUEL TANK ⁽¹⁾ | RESPIRADERO, TANQUE DE COMBUSTIBLE ⁽¹⁾ |
| 9 | 13201256030 | 1 | PIPE - 3×6×80 -- CLEAR ⁽¹⁾ | TUBO - 3×6×80 -- TRANSPARENTE ⁽¹⁾ |
| 10 | V471001210 | 1 | PIPE - 3×5×90 -- BLACK ⁽¹⁾ | TUBO - 3×5×90 -- NEGRO ⁽¹⁾ |
| 11 | V137000030 | 1 | GROMMET ⁽¹⁾ | ANILLO DE GOMA ⁽¹⁾ |
| 12 | V471001230 | 1 | PIPE - 3×5×210 -- BLACK ⁽¹⁾ | TUBO - 3×5×210 -- NEGRO ⁽¹⁾ |
| 13 | 13120507320 | 1 | FILTER, FUEL ⁽¹⁾ | FILTRO DE COMBUSTIBLE ⁽¹⁾ |

(FOOTNOTE) 1 - See RePower Maintenance Page

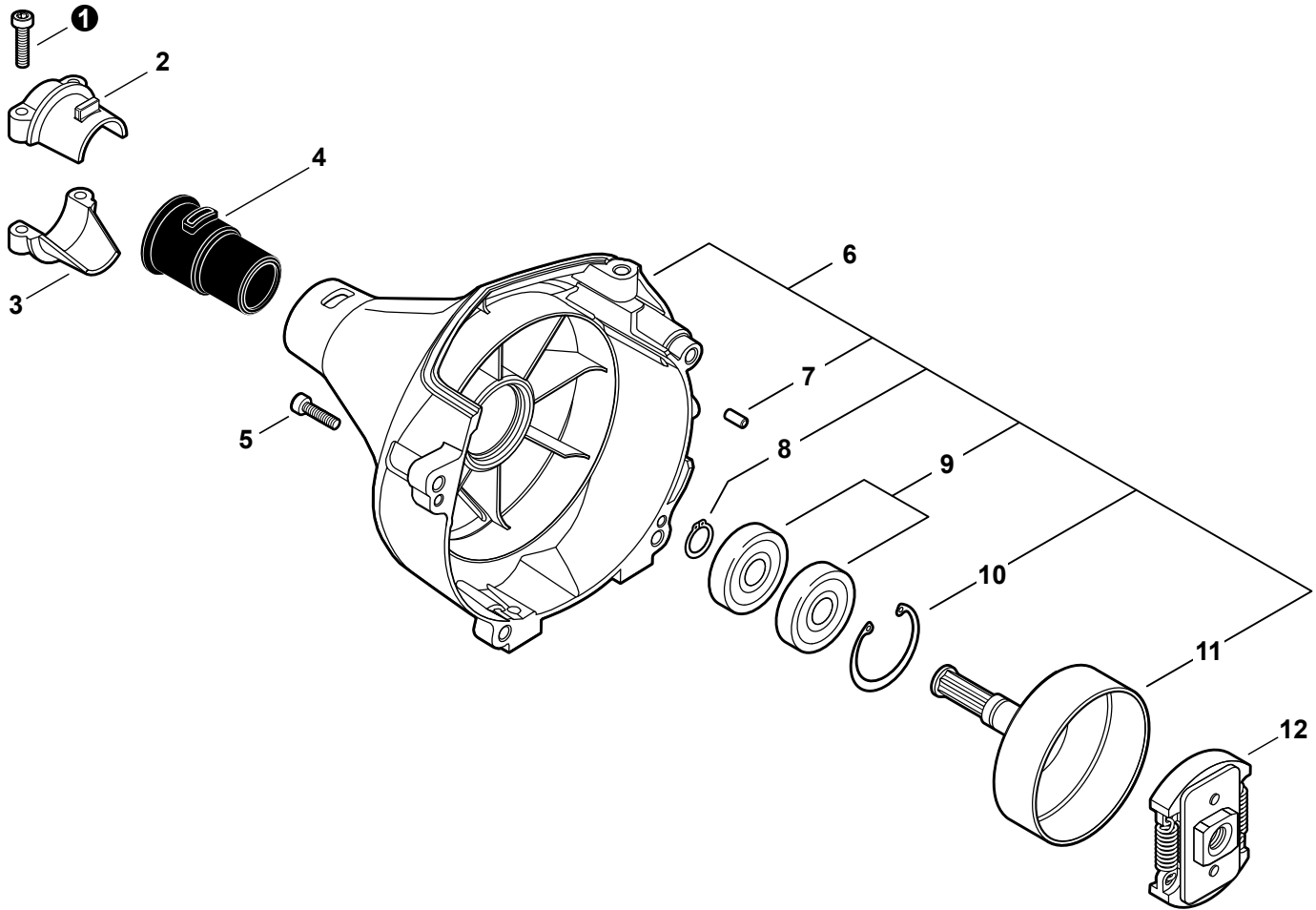
(NOTA DEL PIE) 1 - Vea RePower de mantenimiento página



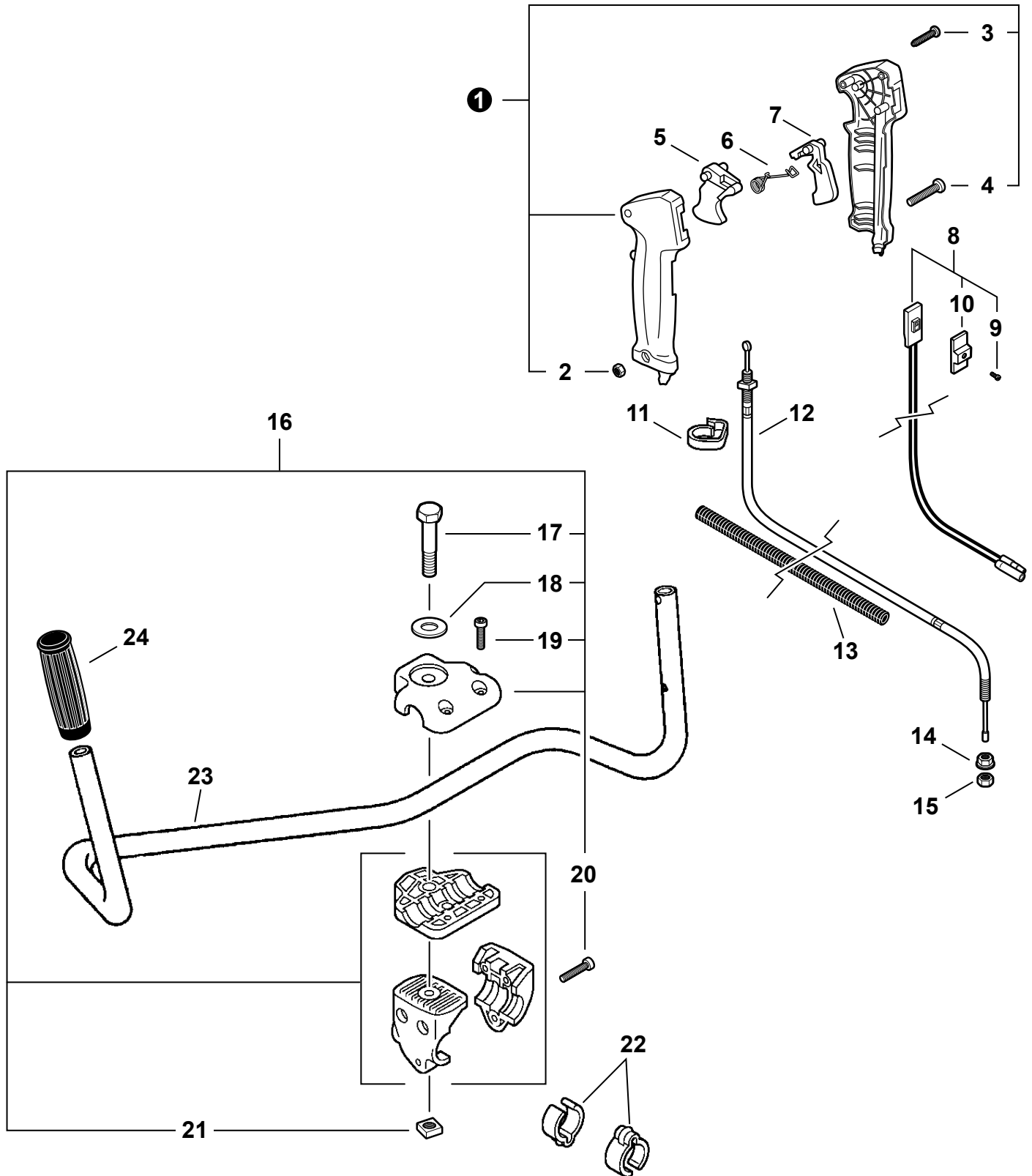
| NO. | PART NUMBER | QTY. | DESCRIPTION | DESCRIPCIÓN |
|-----|-------------|------|--|--|
| 1 | P021040430 | 1 | CAP ASSY | CONJUNTO DE TAPA |
| 2 | V107000150 | 1 | +GASKET, CAP ⁽¹⁾ | +JUNTA, TAPA ⁽¹⁾ |
| 3 | A365000060 | 1 | +CONNECTOR, CAP | +CONECTOR, TAPA |
| 4 | V805000160 | 3 | SCREW - 5×20 | TORNILLO - 5×20 |
| 5 | A350000780 | 1 | FUEL TANK ASSY | CONJUNTO DE TANQUE DE COMBUSTIBLE |
| 6 | V353000231 | 3 | +SPACER | +ESPACIADOR |
| 7 | A356000031 | 1 | VENT, FUEL TANK ⁽¹⁾ | ÉVENT COMPLET ⁽¹⁾ |
| 8 | V490001240 | 3 | CLIP - 6 ⁽¹⁾ | ATTACHE Ø6 ⁽¹⁾ |
| 9 | V471001210 | 1 | PIPE - 3×5×90 -- BLACK ⁽¹⁾ | TUYAU DE CARBURANT 3×5×90 NOIR ⁽¹⁾ |
| 10 | V186000520 | 1 | CONNECTOR, FUEL PIPE ⁽¹⁾ | CONNEXION DE TUYAU Ø5×Ø3.5 ⁽¹⁾ |
| 11 | 13120507320 | 1 | FILTER, FUEL ⁽¹⁾ | FILTRE À CARBURANT ⁽¹⁾ |
| 12 | V471003700 | 1 | PIPE - 3×5×130 -- BLACK ⁽¹⁾ | TUYAU DE CARBURANT 3×5×130 ⁽¹⁾ |
| 13 | 13211546730 | 1 | GROMMET ⁽¹⁾ | RONDELLE DE CARBURANT Ø5 ⁽¹⁾ |
| 14 | V471003691 | 1 | PIPE - 3×5×74 -- BLACK ⁽¹⁾ | TUYAU DE CARBURANT 3×5×74 NOIR ⁽¹⁾ |
| 15 | 13201256030 | 1 | PIPE - 3×6×80 -- CLEAR ⁽¹⁾ | TUYAU DE CARBURANT 3×6×80 CLAIR ⁽¹⁾ |

(FOOTNOTE) 1 - See RePower Maintenance Page

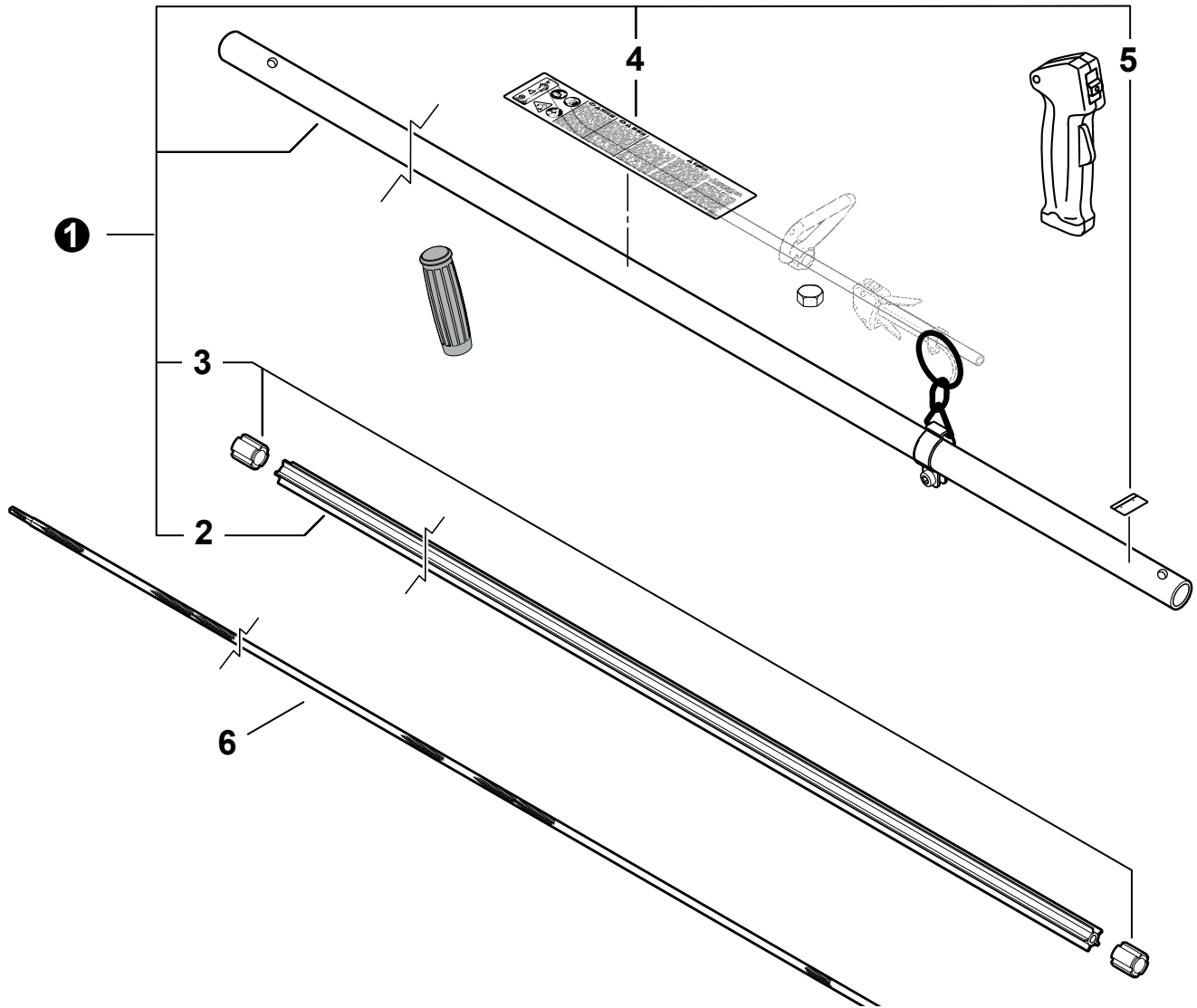
(NOTA DEL PIE) 1 - Vea RePower de mantenimiento página



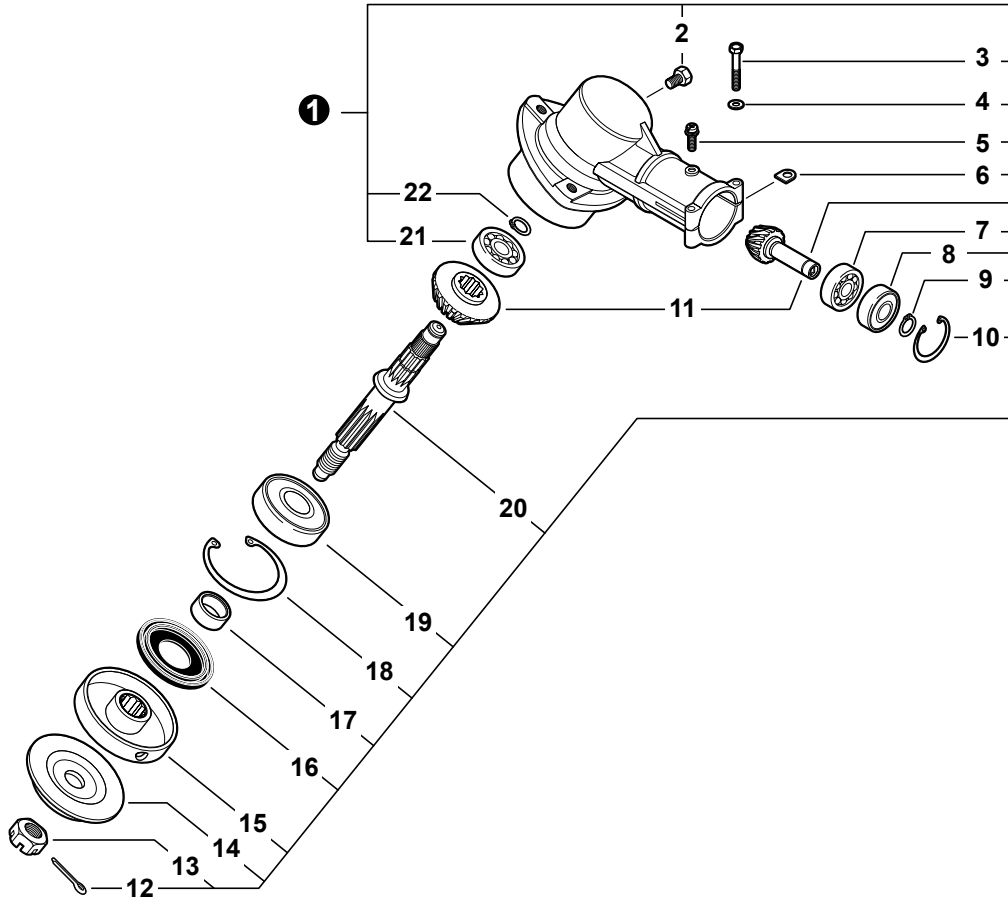
| NO. | PART NUMBER | QTY. | DESCRIPTION | DESCRIPCIÓN |
|-----|-------------------|------|---------------------------|---|
| 1 | V805000160 | 2 | SCREW - 5×20 | TORNILLO - 5×20 |
| 2 | 61092227432 | 1 | HOLDER, MAIN PIPE - UPPER | SOPORTE, TUBO PRINCIPAL - SUPERIOR |
| 3 | 61092355230 | 1 | HOLDER, MAIN PIPE - LOWER | SOPORTE, TUBO PRINCIPAL - INFERIOR |
| 4 | 61091055230 | 1 | CUSHION | COJÍN |
| 5 | V804000060 | 4 | SCREW - 4×16 | TORNILLO - 4×16 |
| 6 | P021015560 | 1 | FAN CASE ASSY | CONJUNTO DE CARCASA DEL VENTILADOR |
| 7 | V622000020 | 2 | +PIN, LOCATING | +PASADOR DE POSICIONAMIENTO |
| 8 | 90070100012 | 1 | +RING, RETAINING - 12 | +ANILLO, RETÉN - 12 |
| 9 | 9405106001 | 2 | +BEARING, BALL - 6001 | +COJINETE DE BOLAS 6001 |
| 10 | 90070200028 | 1 | +RING, RETAINING - 28 | +ANILLO, RETÉN - 28 |
| 11 | 17500548931 | 1 | +DRUM, CLUTCH | +TAMBOR, EMBRAGUE |
| 12 | A056000230 | 1 | CLUTCH ASSY | CONJUNTO DE EMBRAGUE |



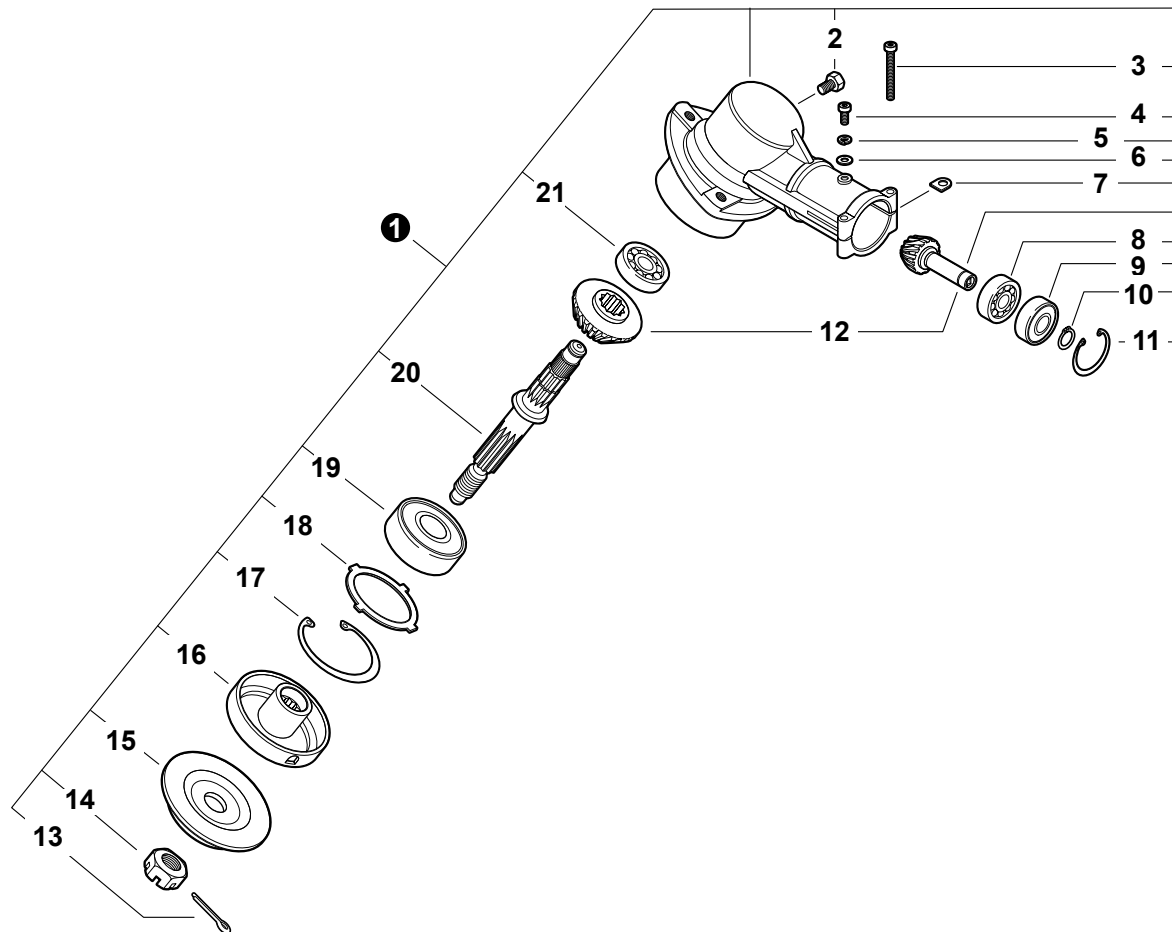
| NO. | PART NUMBER | QTY. | DESCRIPTION | DESCRIPCIÓN |
|-----|-------------|------|-------------------------------|------------------------------------|
| 1 | 35110247530 | 1 | THROTTLE CONTROL ASSY | CONJUNTO DE CONTROL DEL ACELERADOR |
| 2 | 90050000005 | 1 | +NUT - 5 | +TUERCA - 5 |
| 3 | 90024603025 | 4 | +SCREW - 3x25 | +TORNILLO - 3x25 |
| 4 | 90022005030 | 1 | +SCREW - 5x30 | +TORNILLO - 5x30 |
| 5 | 17801005960 | 1 | TRIGGER, THROTTLE | GATILLO, ACELERADOR |
| 6 | 17801335631 | 1 | SPRING, THROTTLE LOCK | RESORTE, TRABA DEL ACELERADOR |
| 7 | 17801205960 | 1 | LOCKOUT, TRIGGER | TRABA, GATILLO |
| 8 | A440001250 | 1 | SWITCH, IGNITION | INTERRUPTOR, ENCENDIDO |
| 9 | 9154503010 | 1 | SCREW - 3x10 | TORNILLO - 3x10 |
| 10 | A444000020 | 1 | KNOB, SWITCH - ORANGE | PERILLA, INTERRUPTOR - NARANJA |
| 11 | 15911209961 | 1 | CLIP | GANCHO |
| 12 | V430002280 | 1 | CABLE, THROTTLE | CABLE, ACELERADOR |
| 13 | V475000000 | 1 | TUBE, PROTECTIVE - CORRUGATED | TUBO, PROTECTOR - CORRUGADA |
| 14 | 90051800006 | 1 | NUT - 6 -- FLANGE | TUERCA, DE BRIDA - 6 |
| 15 | 90050200006 | 1 | NUT - 6 | TUERCA - 6 |
| 16 | P021015820 | 1 | HANDLE BRACKET KIT | KIT DE SOPORTE DE MANGO |
| 17 | 35142152130 | 1 | +BOLT - 8x55 | +PERNO - 8x55 |
| 18 | 60501454230 | 1 | +WASHER - 8 | +ARANDELA - 8 |
| 19 | V805000160 | 2 | +SCREW - 5x20 | +TORNILLO - 5x20 |
| 20 | V805000170 | 3 | +SCREW - 5x25 | +TORNILLO - 5x25 |
| 21 | 90056550008 | 1 | +NUT - 8 | +TUERCA - 8 |
| 22 | 22492452130 | 2 | CLIP | GANCHO |
| 23 | C400000000 | 1 | HANDLE - FRONT | MANGO - DELANTERO |
| 24 | 35131102330 | 1 | GRIP, HANDLE - LEFT | AGARRE, MANGO - IZQUIERDO |



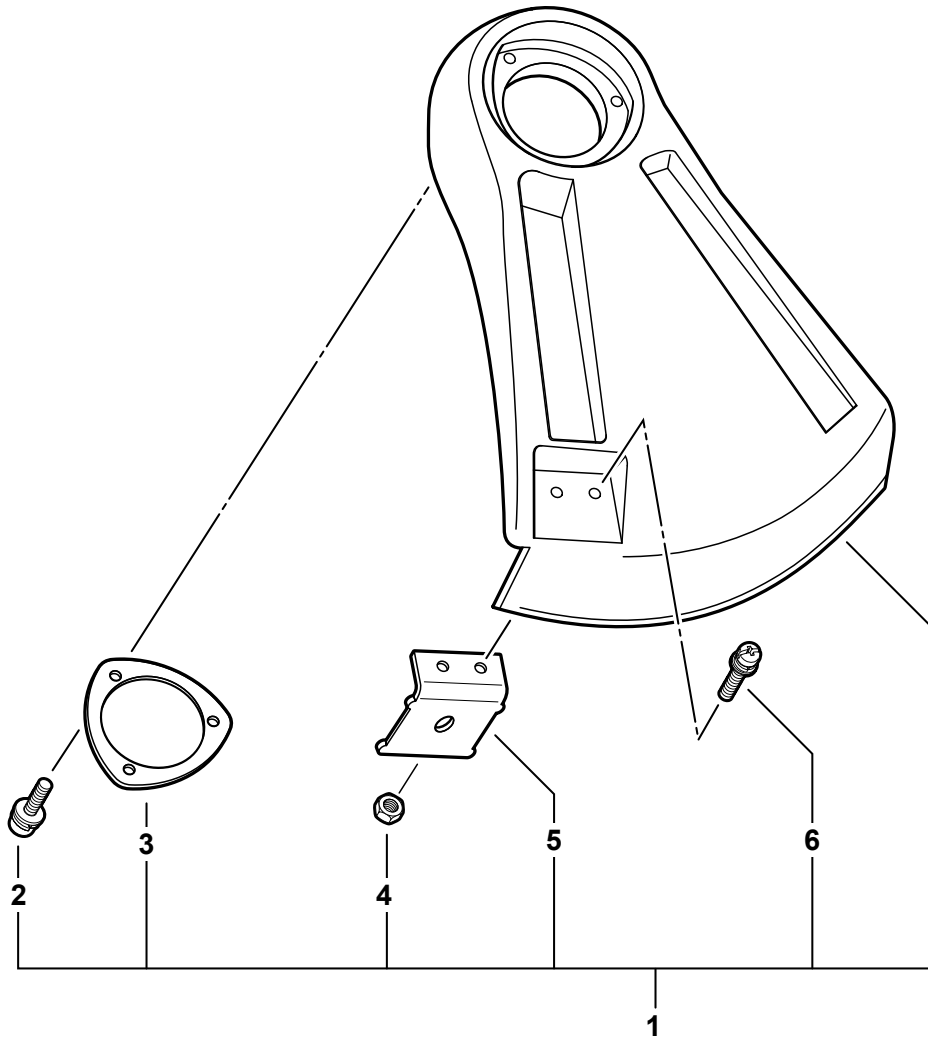
| NO. | PART NUMBER | QTY. | DESCRIPTION | DESCRIPCIÓN |
|-----|-------------|------|-----------------------|----------------------------|
| 1 | C050001190 | 1 | MAIN PIPE ASSY | CONJUNTO DE TUBO PRINCIPAL |
| 2 | C507000260 | 1 | +LINER - FLEXIBLE | +FORRO - FLEXIBLE |
| 3 | 61024644730 | 2 | +BUSHING | +BUJE |
| 4 | X505002500 | 1 | +LABEL - CAUTION | +ETIQUETA - PRECAUCIÓN |
| 5 | 89015204930 | 1 | +LABEL - ALIGNMENT | +ETIQUETA - ALINEACIÓN |
| 6 | C506000390 | 1 | DRIVESHAFT - FLEXIBLE | EJE DE MANDO - FLEXIBLE |



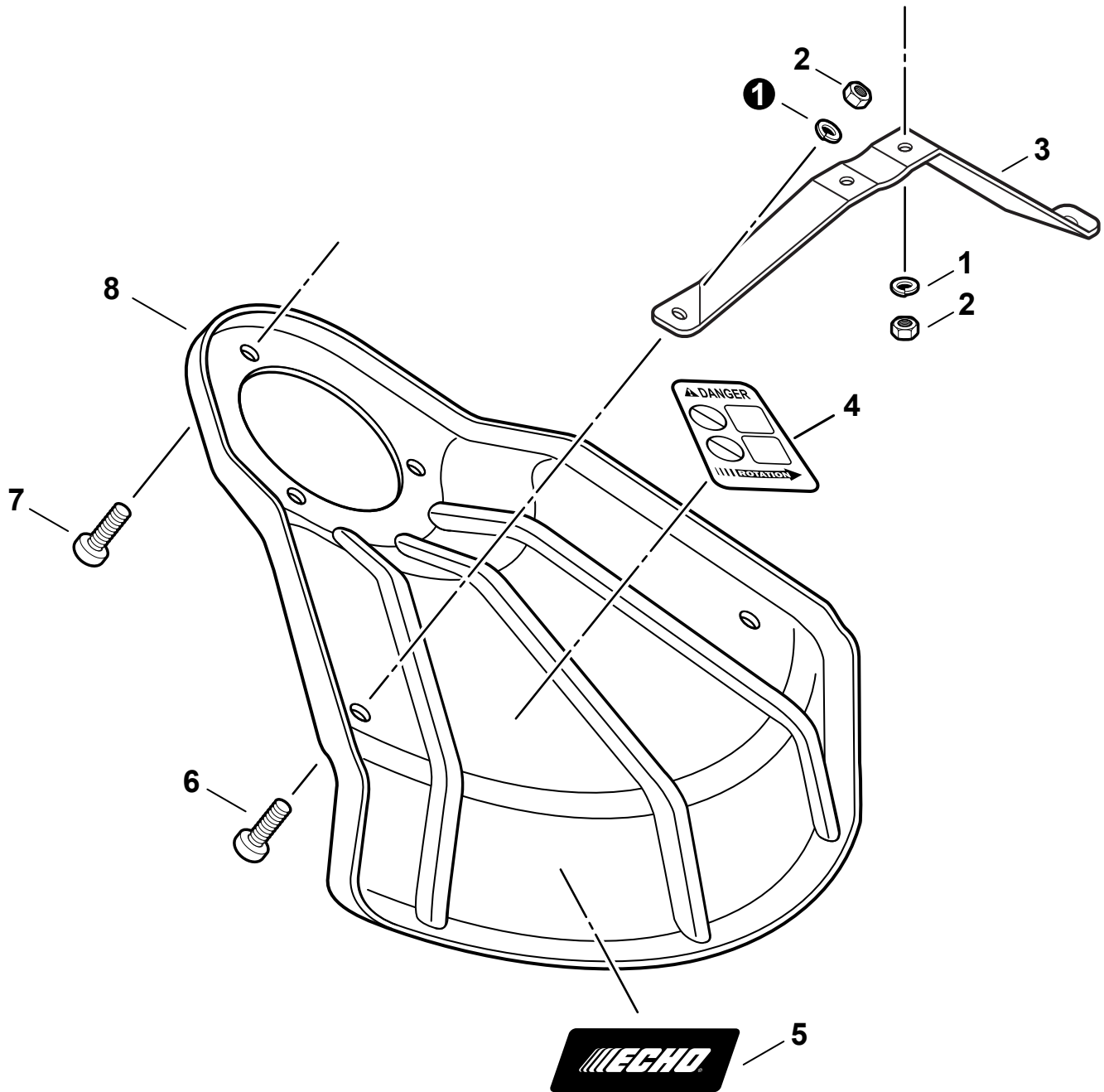
| NO. | PART NUMBER | QTY. | DESCRIPTION | DESCRIPCIÓN |
|-----|-------------|------|-------------------------|---------------------------------|
| 1 | P021038040 | 1 | GEAR CASE ASSY | CONJUNTO DE CAJA DE ENGRANAJES |
| 2 | 61043450031 | 1 | +BOLT - 8x8 | +PERNO - 8x8 |
| 3 | 90010005035 | 2 | +BOLT - 5x35 | +PERNO - 5x35 |
| 4 | 90060000005 | 2 | +WASHER - 5 | +ARANDELA - 5 |
| 5 | 90024205010 | 1 | +SCREW - 5x10 | +TORNILLO - 5x10 |
| 6 | 61023904130 | 2 | +WASHER, SHIM | +ARANDELA, ESPACIADORA |
| 7 | 90085506900 | 1 | +BEARING, BALL - 6900 | +COJINETE DE BOLAS - 6900 |
| 8 | 90085806900 | 1 | +BEARING, BALL - 6900ZZ | +COJINETE DE BOLAS - 6900ZZ |
| 9 | 90070600010 | 1 | +RING, RETAINING - 10 | +ANILLO, RETÉN - 10 |
| 10 | 90070200022 | 1 | +RING, RETAINING - 22 | +ANILLO, RETÉN - 22 |
| 11 | 61030044830 | 1 | +GEAR SET - BEVEL | +JUEGO DE ENGRANAJES - CÓNICOS |
| 12 | 90030020022 | 1 | +PIN, SPLIT - 2x22 | +PASADOR DIVIDIDO - 2x22 |
| 13 | 90051100010 | 1 | +NUT - 10 -- LEFT HAND | +TUERCA - 10 -- ROSCA IZQUIERDA |
| 14 | C535000150 | 1 | +ADAPTER, BLADE - LOWER | +ADAPTADOR, CUCHILLA - INFERIOR |
| 15 | C535000160 | 1 | +ADAPTER, BLADE - UPPER | +ADAPTADOR, CUCHILLA - SUPERIOR |
| 16 | 61041307130 | 1 | +SEAL, OIL | +SELLO, ACEITE |
| 17 | 61031507130 | 1 | +SPACER | +ESPACIADOR |
| 18 | 90070200032 | 1 | +RING, RETAINING - 32 | +ANILLO, RETÉN - 32 |
| 19 | 90081006201 | 1 | +BEARING, BALL - 6201 | +COJINETE DE BOLAS |
| 20 | 61036008931 | 1 | +GEAR, SHAFT | +ENGRANAJE, EJE |
| 21 | 90080000609 | 1 | +BEARING, BALL - 609 | +COJINETE DE BOLAS - 609 |
| 22 | 90070600012 | 1 | +RING, RETAINING - 12 | +ANILLO, RETÉN - 12 |



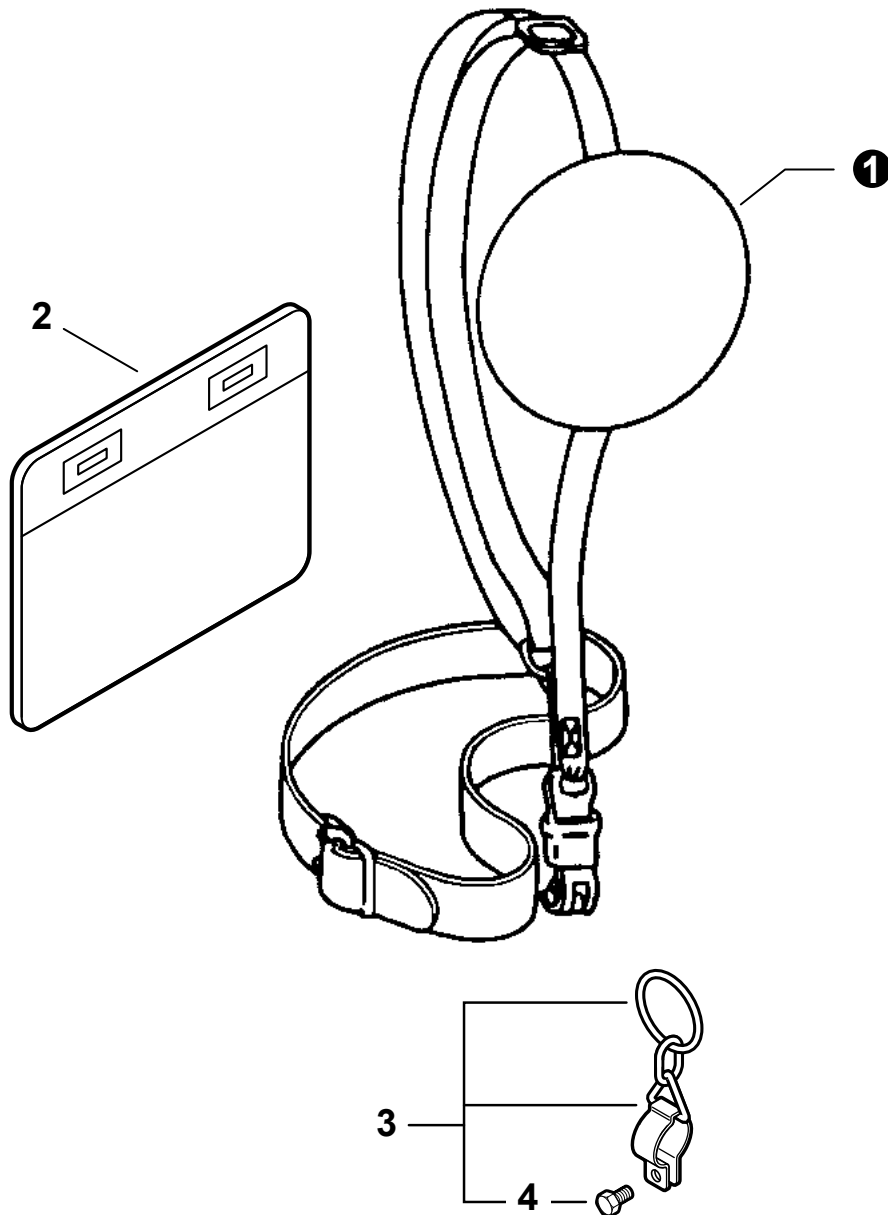
| NO. | PART NUMBER | QTY. | DESCRIPTION | DESCRIPCIÓN |
|-----|-------------|------|-------------------------|---------------------------------|
| 1 | P021046670 | 1 | GEAR CASE ASSY | CONJUNTO DE CAJA DE ENGRANAJES |
| 2 | 61043450031 | 1 | +BOLT - 8x8 | +PERNO - 8x8 |
| 3 | V805000060 | 2 | +SCREW - 5x25 | +TORNILLO - 5x25 |
| 4 | V805000130 | 1 | +SCREW - 5x10 | +TORNILLO - 5x10 |
| 5 | 90060500005 | 1 | +LOCKWASHER | +ARANDELA DE PRESIÓN |
| 6 | 90060000005 | 1 | +WASHER - 5 | +ARANDELA - 5 |
| 7 | 61023904130 | 2 | +WASHER, SHIM | +ARANDELA, ESPACIADORA |
| 8 | 9406006900 | 1 | +BEARING, BALL - 6900 | +COJINETE DE BOLAS - 6900 |
| 9 | 9406306900 | 1 | +BEARING, BALL - 6900ZZ | +COJINETE DE BOLAS - 6900ZZ |
| 10 | 90070600010 | 1 | +RING, RETAINING - 10 | +ANILLO, RETÉN - 10 |
| 11 | 90070200022 | 1 | +RING, RETAINING - 22 | +ANILLO, RETÉN - 22 |
| 12 | 61030044830 | 1 | +GEAR SET - BEVEL | +JUEGO DE ENGRANAJES - CÓNICOS |
| 13 | 90030020022 | 1 | +PIN, SPLIT - 2x22 | +PASADOR DIVIDIDO - 2x22 |
| 14 | 90051100010 | 1 | +NUT - 10 -- LEFT HAND | +TUERCA - 10 -- ROSCA IZQUIERDA |
| 15 | C535000150 | 1 | +ADAPTER, BLADE - LOWER | +ADAPTADOR, CUCHILLA - INFERIOR |
| 16 | C535000160 | 1 | +ADAPTER, BLADE - UPPER | +ADAPTADOR, CUCHILLA - SUPERIOR |
| 17 | 90070200032 | 1 | +RING, RETAINING - 32 | +ANILLO, RETÉN - 32 |
| 18 | V340000180 | 1 | +WASHER | +ARANDELA |
| 19 | 90081206201 | 1 | +BEARING, BALL - 6201 | +COJINETE DE BOLAS |
| 20 | 61036008931 | 1 | +GEAR, SHAFT | +ENGRANAJE, EJE |
| 21 | 9406000609 | 1 | +BEARING, BALL - 609 | +COJINETE DE BOLAS - 609 |



| NO. | PART NUMBER | QTY. | DESCRIPTION | DESCRIPCIÓN |
|-----|-------------|------|------------------|----------------------|
| 1 | P021015660 | 1 | SHIELD ASY | MONTAJE DE PROTECTOR |
| 2 | V805000150 | 3 | +SCREW 5×16 | +TORNILLO 5×16 |
| 3 | C552000110 | 1 | +BRACKET, SHIELD | +ABRAZADERA |
| 4 | 90050000005 | 2 | +NUT 5 | +TUERCA 5 |
| 5 | 69901644330 | 1 | +CUTTER | +CUCHILLA DEL HILO |
| 6 | V805000140 | 2 | +SCREW 5×12 | +TORNILLO 5×12 |



| NO. | PART NUMBER | QTY. | DESCRIPTION | DESCRIPCIÓN |
|-----|-------------|------|------------------------|---------------------------------------|
| 1 | 90060500005 | 4 | LOCKWASHER | ARANDELA DE PRESIÓN |
| 2 | 90050000005 | 4 | NUT - 5 | TUERCA - 5 |
| 3 | 69901523431 | 1 | BRACKET, SHIELD | SOPORTE, PROTECTOR |
| 4 | 89016841031 | 1 | LABEL - DANGER | ETIQUETA - PRECAUCIÓN -- CALIENTE |
| 5 | X502000320 | 1 | LABEL - ECHO | ETIQUETA - ECHO |
| 6 | V805000120 | 2 | SCREW - 5×8 -- TORX | TORNILLO - 5×8 --TORX |
| 7 | V805000130 | 3 | SCREW - 5×10 | TORNILLO - 5×10 |
| 8 | C550000200 | 1 | SHIELD, DEBRIS - METAL | PROTECTOR, CONTRA RESIDUOS - METÁLICO |



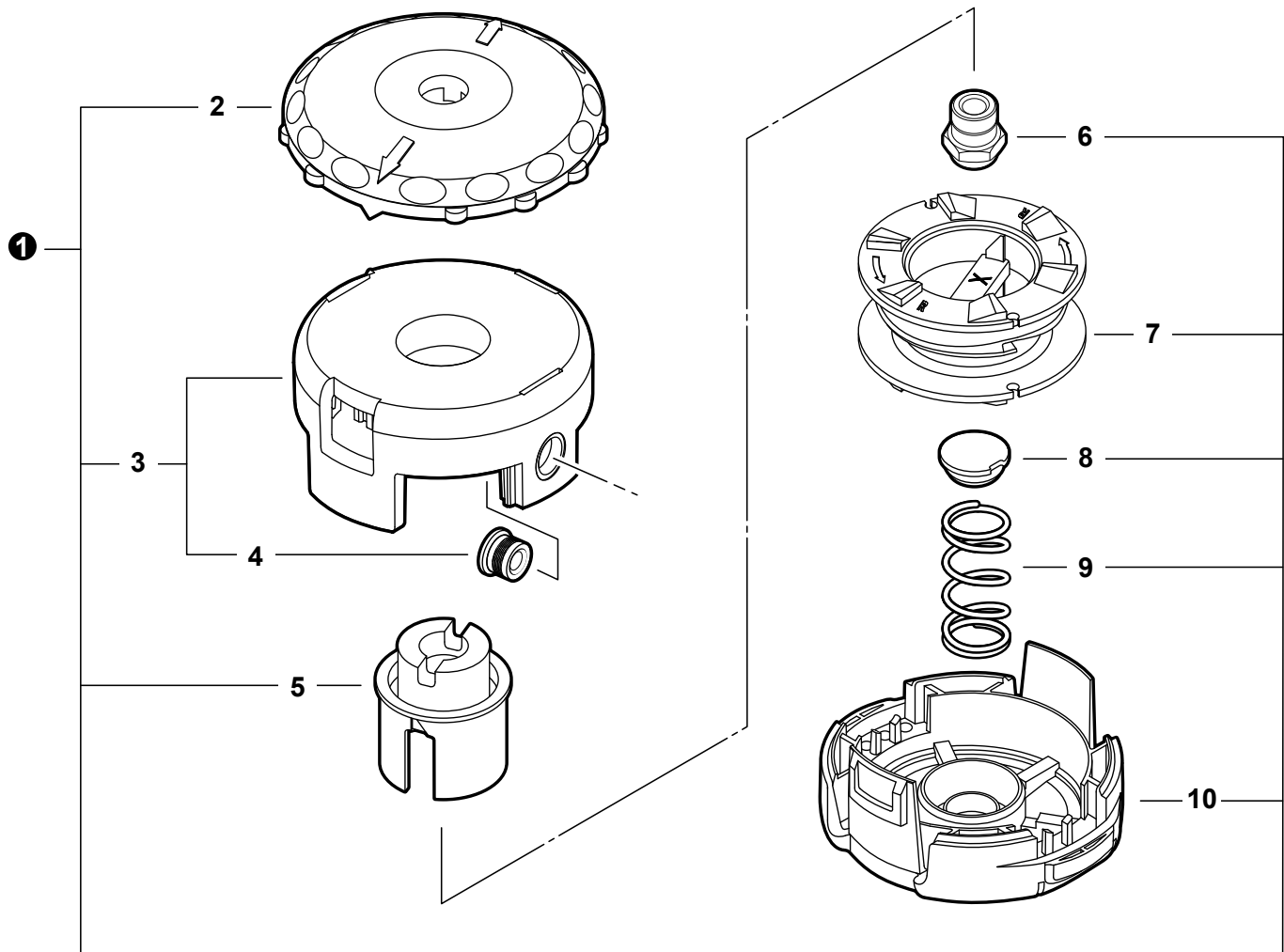
| NO. | PART NUMBER | QTY. | DESCRIPTION | DESCRIPCIÓN |
|-----|-------------------|------|--------------------------|--------------------------------------|
| 1 | C062000310 | 1 | HARNES, SHOULDER | ARNÉS, HOMBROS |
| 2 | C652000000 | 1 | CUSHION | COJÍN |
| 3 | C646000060 | 1 | HARNES HANGER KIT | CONJUNTO DE COLGADOR DE ARNÉS |
| 4 | V835000010 | 1 | +SCREW - 5×12 | +TORNILLO - 5×12 |



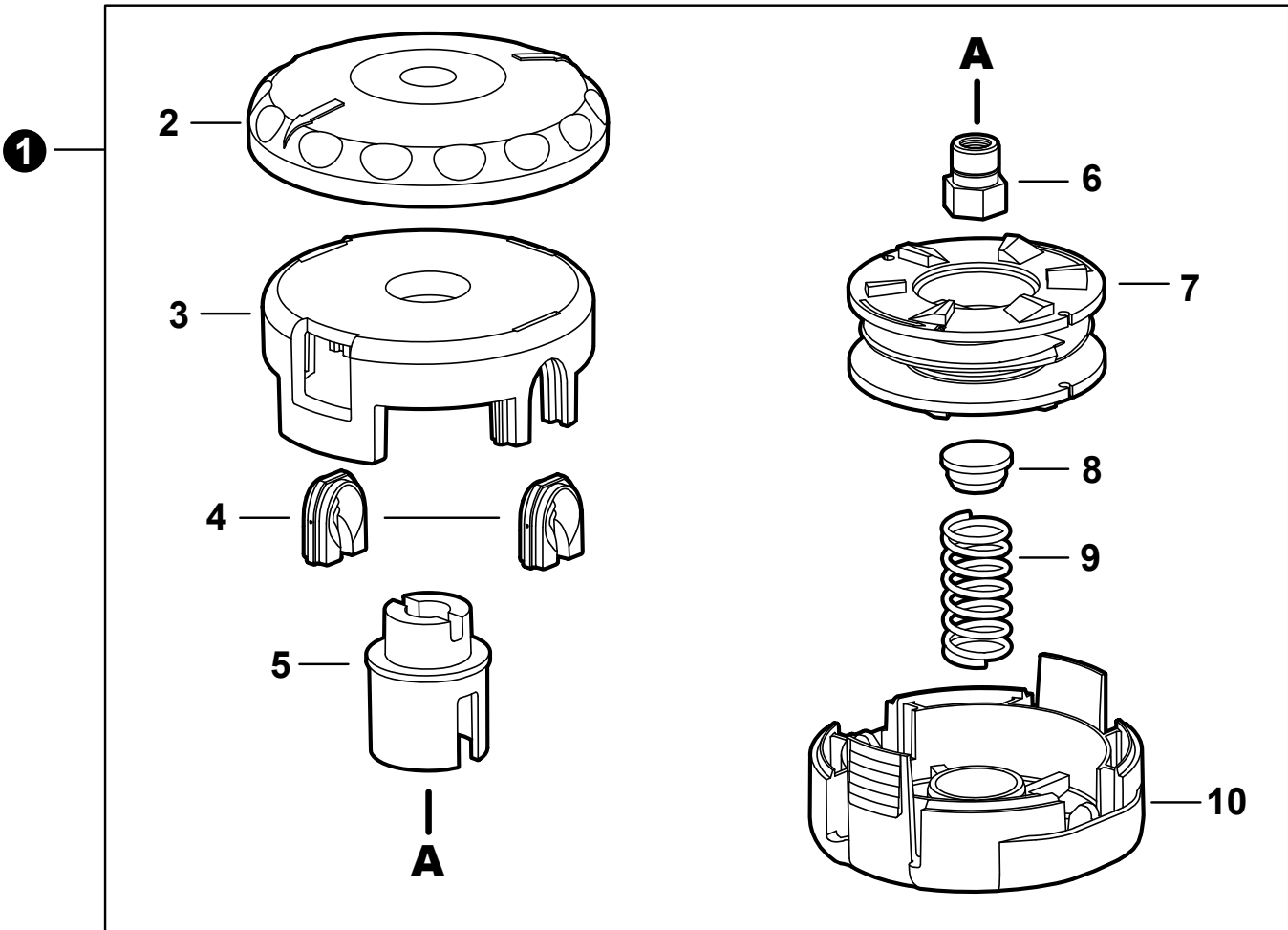
69600120331

8", 8-Tooth Blade - 20 mm Arbor
Hoja de 8 Dientes de 20 cm - Árbol de 20 mm
Lame à 8 Dents de 20 cm - Arbre de 20 mm

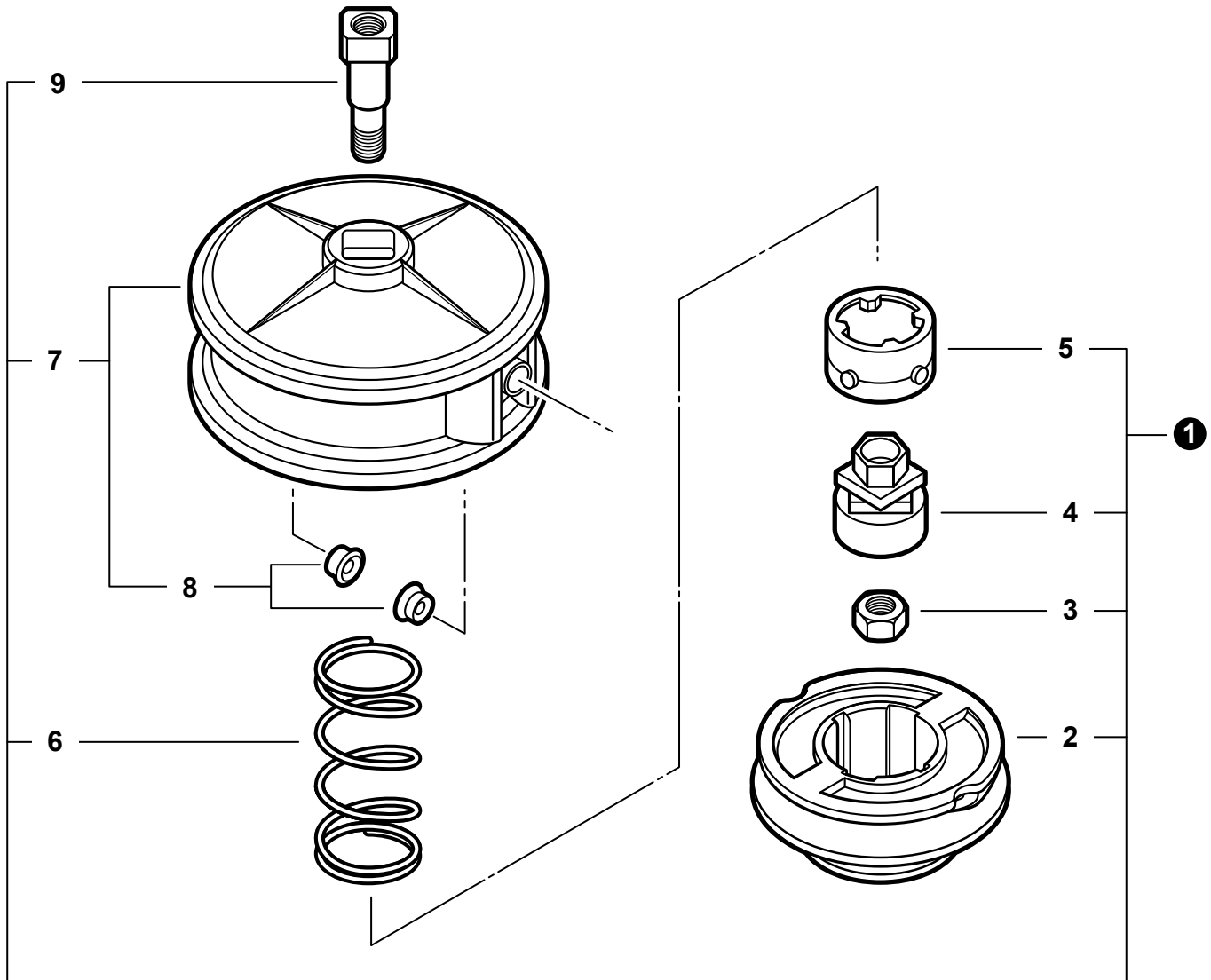
| NO. | PART NUMBER | QTY. | DESCRIPTION | DESCRIPCIÓN |
|-----|-------------|------|--------------------------------|--|
| 1 | 69600120331 | 1 | BLADE, 20mm ID - 8 TOOTH -- 8" | CUCHILLA - 8 DIENTES, DIAM INT 20 mm -- 8" |



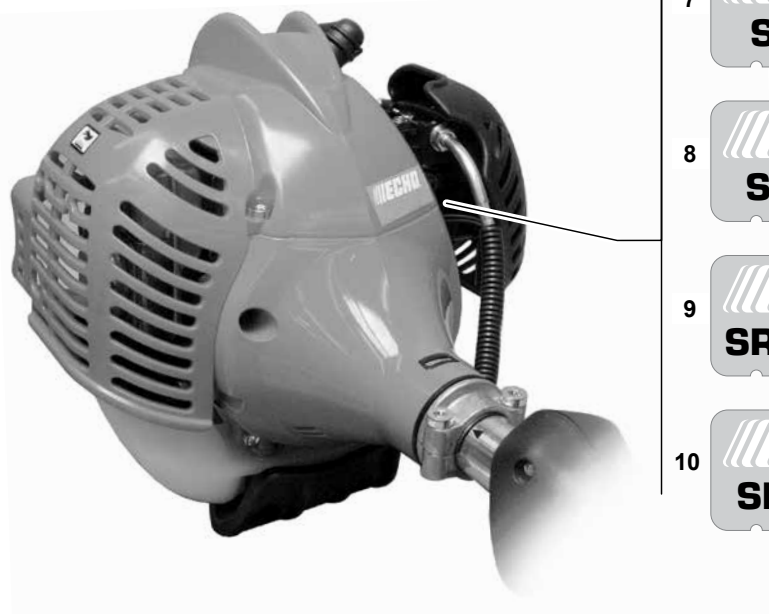
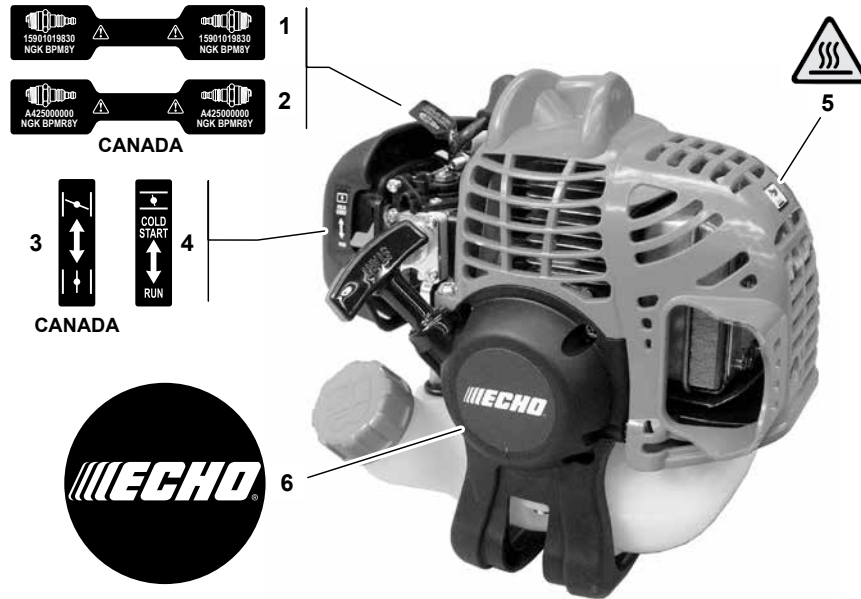
| NO. | PART NUMBER | QTY. | DESCRIPTION | DESCRIPCIÓN |
|-----|--------------|------|-----------------------------|---------------------------------------|
| 1 | 99944200907B | 1 | SPEED-FEED 400 TRIMMER HEAD | CABEZAL DE RECORTADORA SPEED-FEED 400 |
| 2 | E415000180 | 1 | +LID | +TAPA |
| 3 | X470000330 | 1 | +SPOOL HOUSING ASY | +CONJUNTO DE CARRETE |
| 4 | X475000110 | 2 | ++EYELET | ++OJAL |
| 5 | X476000040 | 1 | +HUB - BLACK -- LEFT HAND | +CUBO - NEGRO -- ROSCA IZQUIERDA |
| 6 | V160000150 | 1 | +ARBOR - GOLD -- LEFT HAND | +ARBOR - ORO -- ROSCA IZQUIERDA |
| 7 | X473000130 | 1 | +SPOOL | +CARRETE |
| 8 | V494000840 | 1 | +CAP, SPRING | +TAPA DE RESORTE |
| 9 | V450001880 | 1 | +SPRING | +RESORTE |
| 10 | X472000070 | 1 | +CASE | +ESTUCHE |



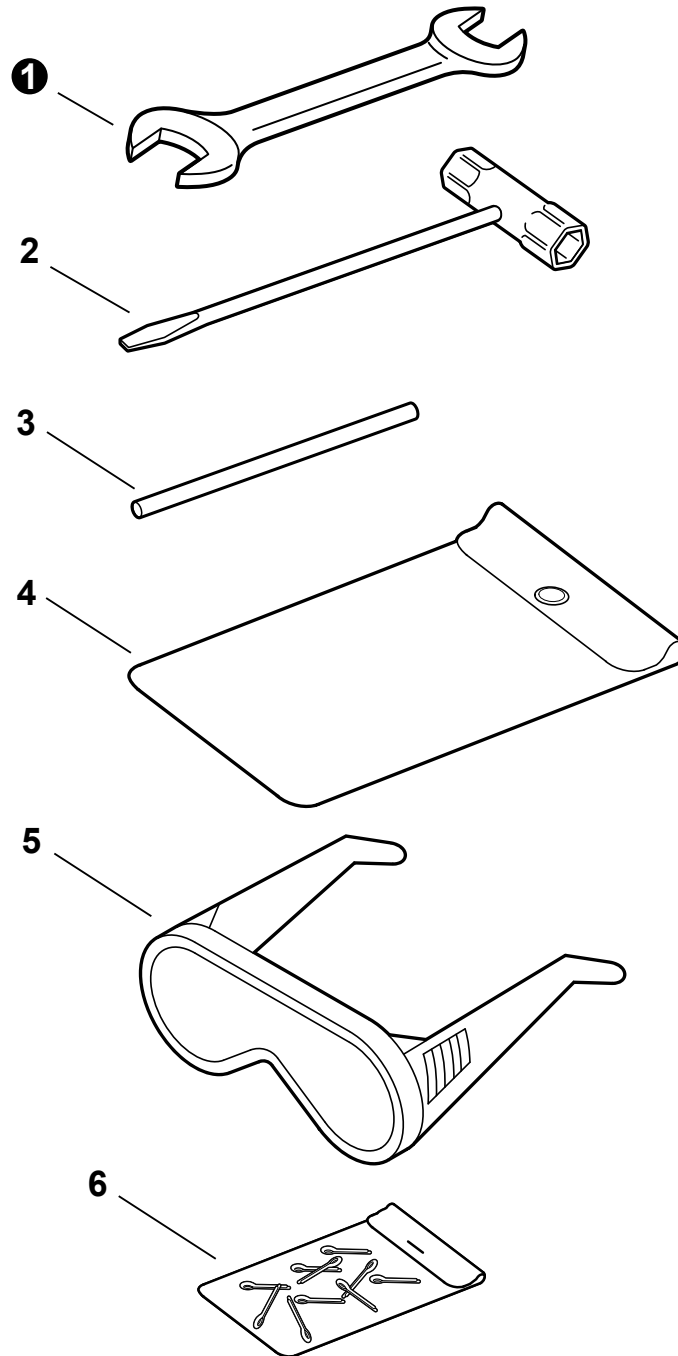
| NO. | PART NUMBER | QTY. | DESCRIPTION | DESCRIPCIÓN |
|-----|-------------|------|-----------------------------|---------------------------------------|
| 1 | 99944200902 | 1 | SPEED-FEED 375 TRIMMER HEAD | CABEZAL DE RECORTADORA SPEED-FEED 375 |
| 2 | E415000091 | 1 | +LID | +TAPA |
| 3 | X470000181 | 1 | +HOUSING, SPOOL | +ALOJAMIENTO, CARRETE |
| 4 | X475000050 | 2 | +EYELET | +OJAL |
| 5 | X476000021 | 1 | +HUB | +CUBO |
| 6 | V160000060 | 1 | +ARBOR | +ARBOR |
| 7 | X473000011 | 1 | +SPOOL | +CARRETE |
| 8 | V494000280 | 1 | +CAP | +TAPA |
| 9 | V450000871 | 1 | +SPRING | +RESORTE |
| 10 | X472000012 | 1 | +CASE | +ESTUCHE |



| NO. | PART NUMBER | QTY. | DESCRIPTION | DESCRIPCIÓN |
|-----|-------------|------|---------------|-----------------------|
| 1 | X047000410 | 1 | U-TURN HEAD | CABEZA DE VUELTA EN U |
| 2 | X473000000 | 1 | +SPOOL | +CARRETE |
| 3 | V265000100 | 1 | +NUT | +TUERCA |
| 4 | X471000050 | 1 | +CAM, INNER | +LEVA, INTERIOR |
| 5 | X471000040 | 1 | +DRIVE, OUTER | +MANDO - EXTERIOR |
| 6 | V450000660 | 1 | +SPRING | +RESORTE |
| 7 | X470000160 | 1 | +HOUSING | +ALOJAMIENTO |
| 8 | X475000040 | 2 | ++EYELET | ++OJAL |
| 9 | 215601 | 1 | +BOLT, SHAFT | +PERNO, EJE |



| NO. | PART NUMBER | QTY. | DESCRIPTION | DESCRIPCIÓN |
|-----|-------------|------|-------------------------------|--------------------------------|
| 1 | X532000671 | 1 | LABEL - SPARK PLUG -- BPM-8Y | ETIQUETA - BUJÍA -- BPM-8Y |
| 2 | X532000720 | 1 | LABEL - SPARK PLUG -- BPMR-8Y | ETIQUETA - BUJÍA -- BPMR-8Y |
| 3 | 89033252730 | 1 | LABEL - CHOKE | ETIQUETA - AHOGADOR |
| 4 | 89012152730 | 1 | LABEL - CHOKE | ETIQUETA - AHOGADOR |
| 5 | X505008220 | 1 | LABEL - HOT SURFACE | ETIQUETA - SUPERFICIE CALIENTE |
| 6 | X502000330 | 1 | LABEL - ECHO | ETIQUETA - ECHO |
| 7 | X547001300 | 1 | LABEL - MODEL -- SRM-225 | ETIQUETA - MODELO -- SRM-225 |
| 8 | X547001530 | 1 | LABEL - MODEL -- SRM-225i | ETIQUETA - MODELO -- SRM-225i |
| 9 | X547001360 | 1 | LABEL - MODEL -- SRM-225SB | ETIQUETA - MODELO -- SRM-225SB |
| 10 | X547001330 | 1 | LABEL - MODEL -- SRM-225U | ETIQUETA - MODELO -- SRM-225U |



| NO. | PART NUMBER | QTY. | DESCRIPTION | DESCRIPCIÓN |
|-----|-------------|------|------------------------|-------------------------------|
| 1 | 89511200330 | 1 | SPANNER - 8×10mm | LLAVE DE TUERCAS - 8×10mm |
| 2 | X602000020 | 1 | T-WRENCH - 17×19mm | LLAVE DE TUERCAS - 17×19mm |
| 3 | X606000080 | 1 | ROD, LOCKING - 5×120mm | VARILLA, DE TRABADO - 5×120mm |
| 4 | 89851039130 | 1 | BAG,TOOL | BOLSA DE HERRAMIENTAS |
| 5 | X690000080 | 1 | GOGGLES | PROTECTORES DE LA VISTA |
| 6 | 90030020022 | 10 | PIN, SPLIT 2×22 | PASADOR DIVIDIDO - 2×22 |

| NO. | PART NUMBER | QTY. | DESCRIPTION | DESCRIPCIÓN |
|-----|--------------------|----------|--------------------------------------|---|
| | 90008 | 1 | RePower FILTER KIT | JUEGO DE FILTRO - REPOWER |
| | A226001410 | 1 | +FILTER, AIR - DOUBLE LAYER | +FILTRO DE AIRE - CAPA DOBLE |
| | 13120507320 | 1 | +FILTER, FUEL | +FILTRO DE COMBUSTIBLE |
| | 90010 | 1 | Repower CAP AND VENT KIT | +KIT DE TAPA Y RESPIRADERO |
| | ----- | 1 | +CAP | +TAPA |
| | 13101655830 | 1 | +GASKET, CAP | +JUNTA, TAPA |
| | A356000031 | 1 | +VENT, FUEL TANK | +RESPIRADERO, TANQUE DE COMBUSTIBLE |
| | 90248 | 1 | Repower CAP AND VENT KIT | +KIT DE TAPA Y RESPIRADERO |
| | ----- | 1 | +CAP | +TAPA |
| | V107000150 | 1 | +GASKET, CAP | +JUNTA, TAPA |
| | A356000031 | 1 | +VENT, FUEL TANK | +RESPIRADERO, TANQUE DE COMBUSTIBLE |
| | 90117 | 1 | RePower FUEL SYSTEM KIT | KIT DEL SISTEMA DE CARBURANTE |
| | 13201309820 | 2 | +CLIP - 6 | +GANCHO - 6 |
| | 13120507320 | 1 | +FILTER, FUEL | +FILTRO DE COMBUSTIBLE |
| | V137000030 | 1 | +GROMMET | +ANILLO DE GOMA |
| | V471001210 | 1 | +PIPE - 3×5×90 -- BLACK | +TUBO - 3×5×90 -- NEGRO |
| | V471001230 | 1 | +PIPE - 3×5×210 -- BLACK | +TUBO - 3×5×210 -- NEGRO |
| | 13201256030 | 1 | +PIPE - 3×6×80 -- CLEAR | +TUBO - 3×6×80 -- TRANSPARENTE |
| | A356000031 | 1 | +VENT, FUEL TANK | +RESPIRADERO, TANQUE DE COMBUSTIBLE |
| | 90127 | 1 | RePower FUEL SYSTEM KIT | KIT DEL SISTEMA DE CARBURANTE |
| | 12538108660 | 1 | +BULB, PURGE | +BULBO, PURGA |
| | V490001240 | 3 | +CLIP - 6 | +GANCHO - 6 |
| | V186000520 | 1 | +CONNECTOR, FUEL PIPE | +CONECTOR, TUBO DE COMBUSTIBLE |
| | 13120507320 | 1 | +FILTER, FUEL | +FILTRO DE COMBUSTIBLE |
| | V107000150 | 1 | +GASKET, CAP | +JUNTA, TAPA |
| | 13211546730 | 1 | +GROMMET | +ANILLO DE GOMA |
| | V471003691 | 1 | +PIPE - 3×5×74 -- BLACK | +TUBO - 3×5×74 -- NEGRO |
| | V471001210 | 1 | +PIPE - 3×5×90 -- BLACK | +TUBO - 3×5×90 -- NEGRO |
| | V471003700 | 1 | +PIPE - 3×5×130 -- BLACK | +TUBO - 3×5×130 -- NEGRO |
| | 13201256030 | 1 | +PIPE - 3×6×80 -- CLEAR | +TUBO - 3×6×80 -- TRANSPARENTE |
| | A356000031 | 1 | +VENT, FUEL TANK | +RESPIRADERO, TANQUE DE COMBUSTIBLE |
| | 90152 | 1 | RePower TUNE-UP KIT | KIT DE PUESTA A PUNTO |
| | A226001410 | 1 | +FILTER, AIR | +FILTRO DE AIRE |
| | 13120507320 | 1 | +FILTER, FUEL | +FILTRO DE COMBUSTIBLE |
| | A425000000 | 1 | +SPARK PLUG -- BPMR-8Y | +BUJÍA -- BPMR-8Y |
| | P021015980 | 1 | GASKET KIT | KIT DE JUNTAS |
| | 10024242030 | 1 | +GASKET, CRANKCASE | +JUNTA, CÁRTER |
| | 14586642031 | 1 | +GASKET, EXHAUST | +JUNTA, ESCAPE |
| | V100000160 | 1 | +GASKET, CYLINDER | +JUNTA, CILINDRO |
| | V103001500 | 1 | +GASKET, INTAKE | +JUNTA, ADMISIÓN |
| | V103001360 | 1 | +SHIELD, INTAKE | +PROTECTOR, ADMISIÓN |
| | V104001760 | 1 | +GASKET, EXHAUST | +JUNTA, ESCAPE |
| | V104000850 | 1 | +SHIELD, EXHAUST | +PROTECTOR, ESCAPE |
| | 99944440000 | 1 | ROPE, STARTER - REPOWER BULK | CUERDA DEL ARRANCADOR REPOWER AL POR MAYOR |
| | 90014 | 1 | PIPE - 25 FT BULK 3×5mm BLACK | TUBO 25 PIES AL POR MAYOR 3×5mm NEGRO |
| | 90017 | 1 | PIPE - 25 FT BULK 3×6mm CLEAR | TUBO 25 PIES AL POR MAYOR 3×6mm TRANSPARENTE |