



OPTIONAL ATTACHMENTS & ACCESSORIES

Fits Models

PAS-225	Pro Attachment Series
PAS-230	Pro Attachment Series
PAS-231	Pro Attachment Series
PAS-2400	Pro Attachment Series
PAS-260	Pro Attachment Series
PAS-2601	Pro Attachment Series
PAS-261	Pro Attachment Series
SRM-225SB	Split-Shaft Trimmer
SRM-2400SB	Split-Shaft Trimmer
SRM-260SB	Split-Shaft Trimmer
SRM-261SB	Split-Shaft Trimmer

PARTS CATALOG

99944200563

ProThatch Attachment

PAS Attachment

SERIAL NUMBERS

ProThatch Attachment

ECHO, INCORPORATED

400 Oakwood Road Lake Zurich, Illinois 60047 USA

WWW.ECHO-USA.COM



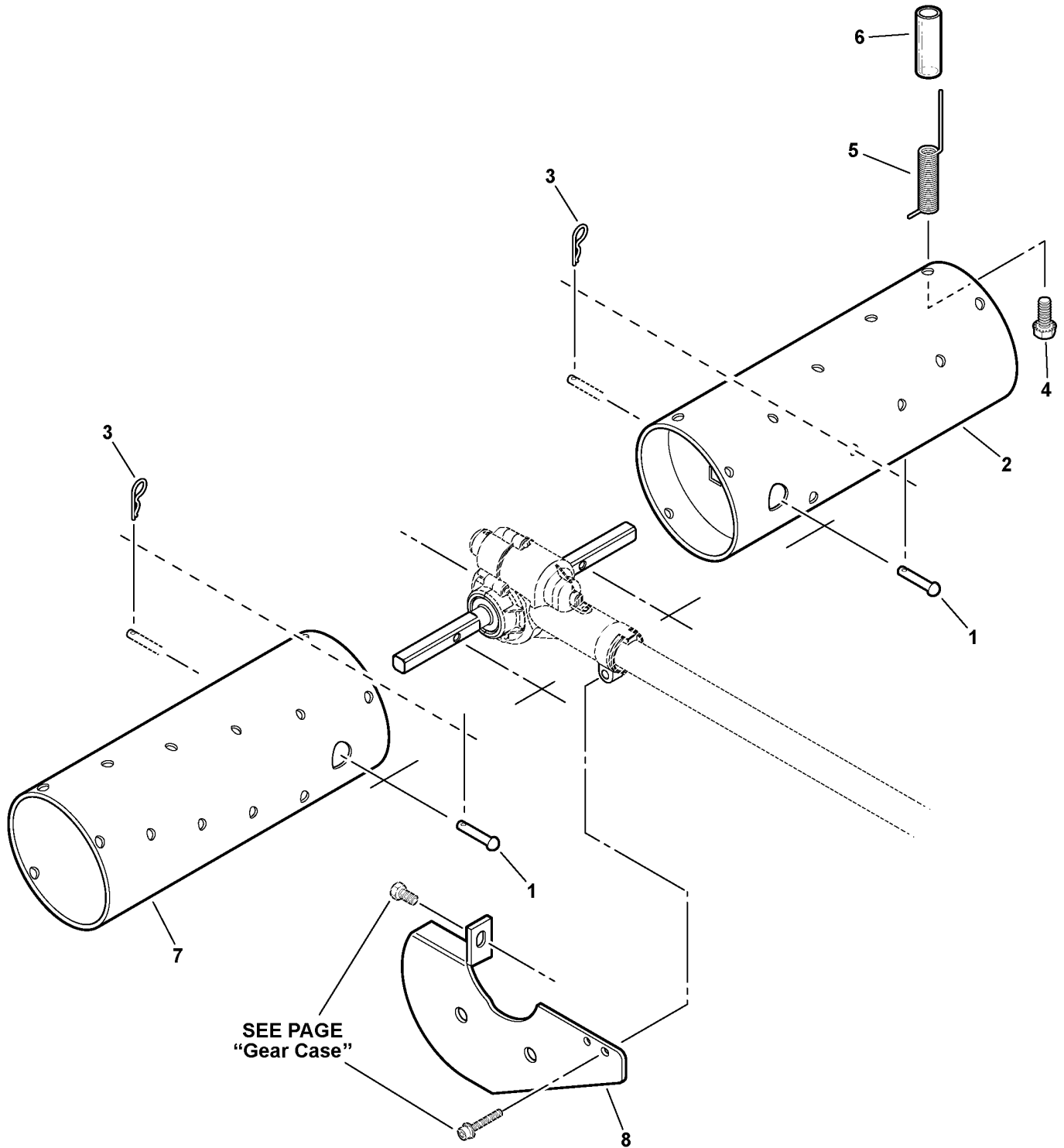
Table of Contents

Click Any Diagram Description Below To View That Diagram.

99944200563 ProThatch Attachment

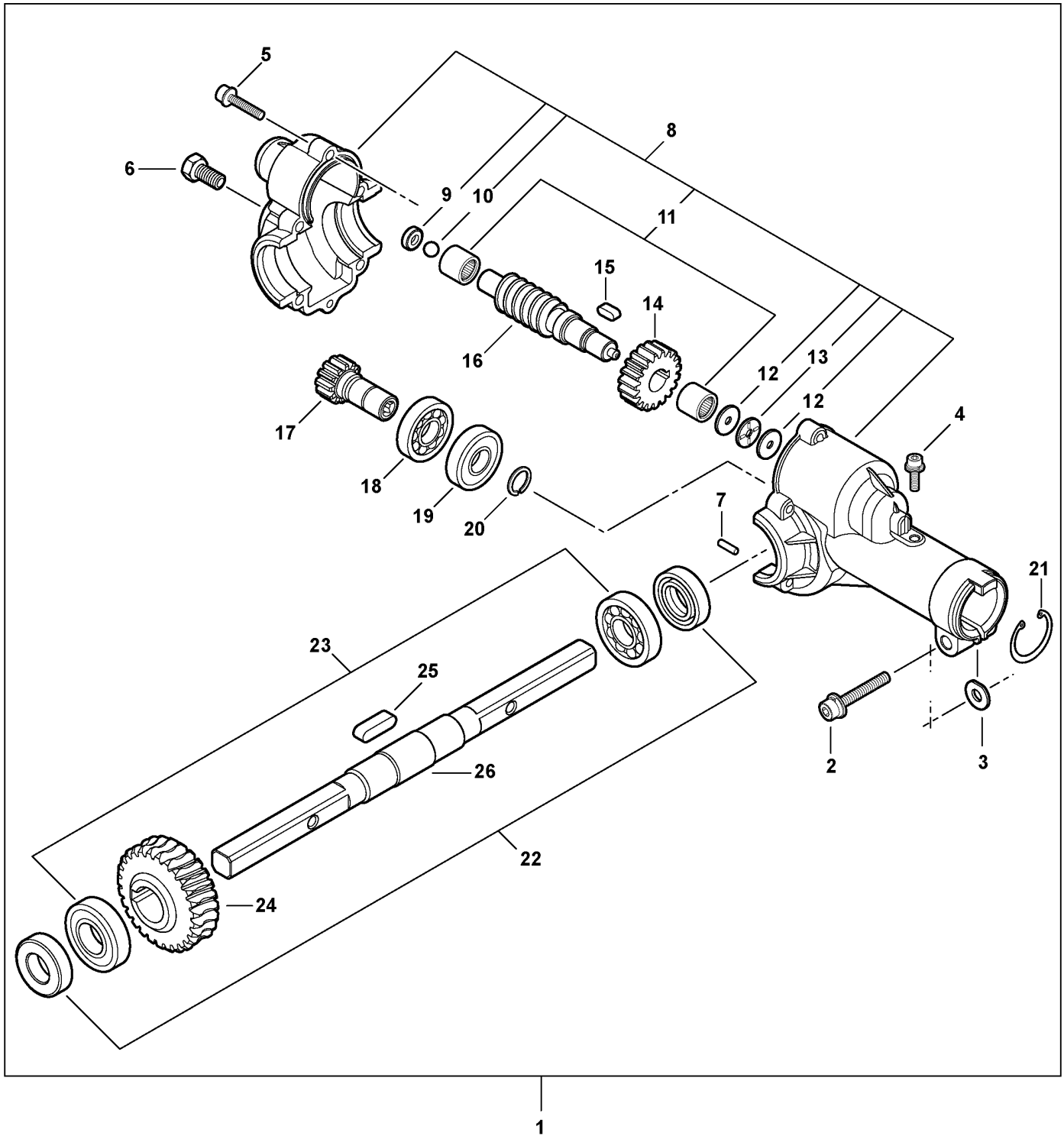
Thatching Drums.....	4
Gear Case.....	6
Handle, Shield.....	8
Main Pipe Assembly.....	10
Part Number Index.....	12
Part Description Index.....	13

This Page Intentionally Left Blank



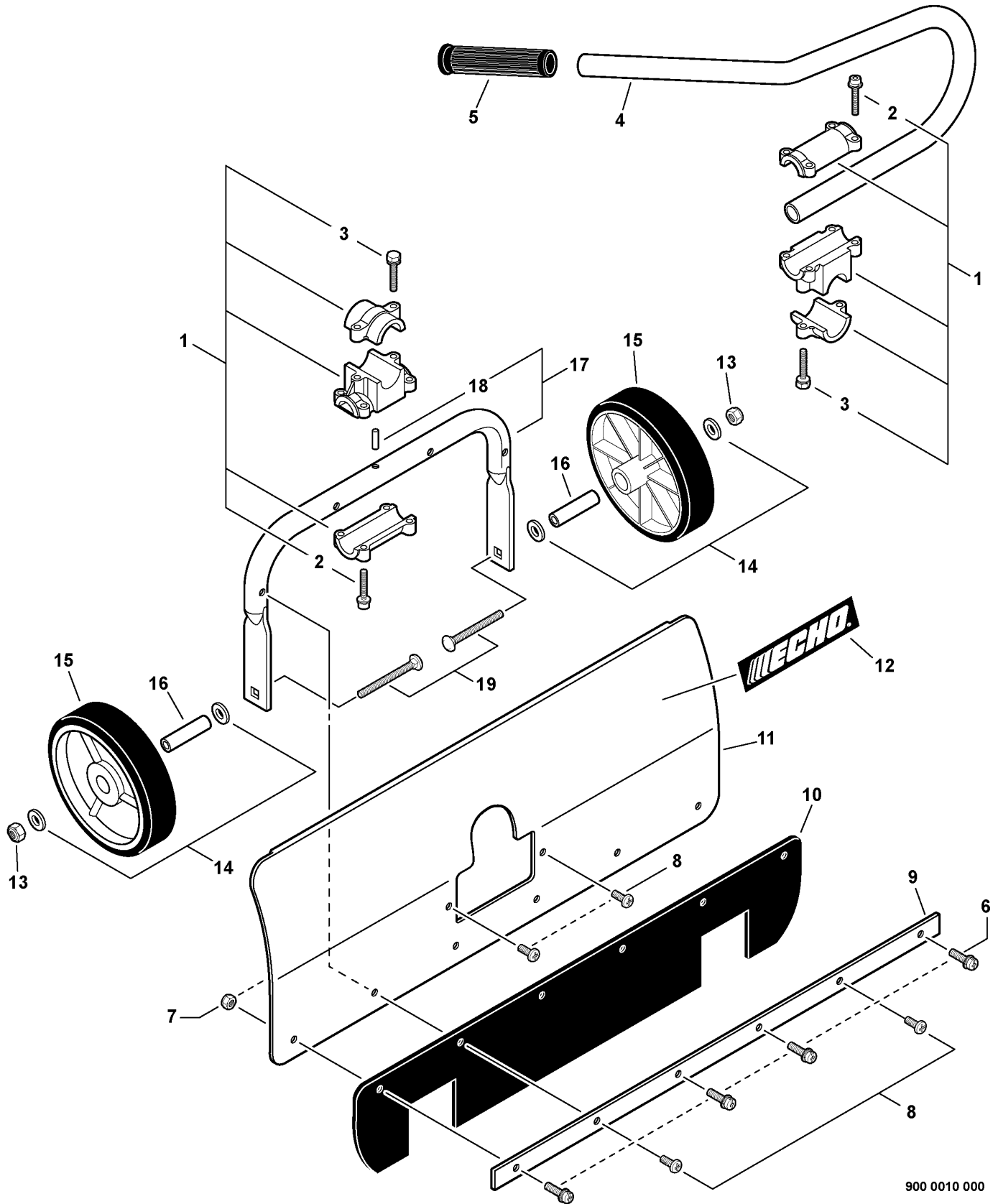
900 0010 00B

ITEM	PART NUMBER	QTY	DESCRIPTION	REMARKS
1	60561111050	2	CLEVIS PIN	
2	69633425660	1	DRUM - RIGHT	
3	60561211050	2	HAIRPIN COTTER	
4	88995325560	44	BOLT	
5	61004725560	44	SPRING, THATCHING	
6	21001325560	44	COVER, DEBRIS	
7	69633525560	1	DRUM - LEFT	
8	69411325561	1	GUIDE, GRASS	



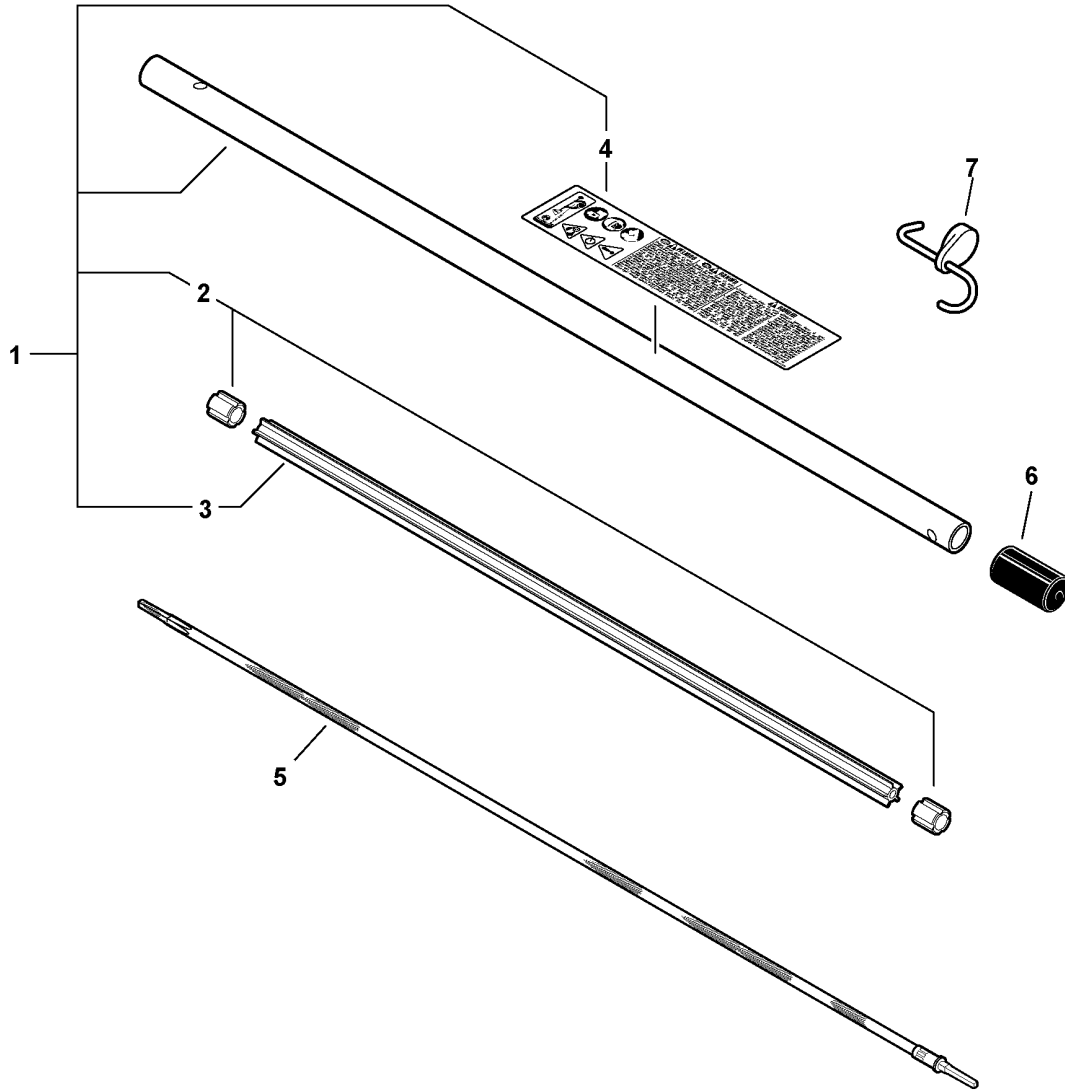
090 0001 00B

ITEM	PART NUMBER	QTY	DESCRIPTION	REMARKS
1	C051000300	1	GEAR CASE ASY	INCLUDES ITEMS 2-26
2	90016206030	1	SCREW 6X30	
3	V340000220	1	WASHER	
4	90016205012	1	SCREW 5X12	
5	90016205020	5	SCREW 5X20	
6	90010008010	1	BOLT 8X10	
7	V622000030	1	DOWEL PIN	
8	P021016400	1	GEAR HOUSING ASY	INCLUDES ITEMS 9-13
9	V376001040	1	BUSHING	
10	V585000030	1	BALL	
11	V555000060	2	BEARING, NEEDLE	
12	V340000230	2	WASHER	
13	V590000010	1	BEARING, THRUST	
14	V650000380	1	GEAR, SPUR - 19 TOOTH	
15	V381000010	1	WOODRUFF KEY	
16	V652000060	1	GEAR, WORM	
17	V650000370	1	GEAR, SPUR - 12 TOOTH	
18	90085506901	1	BEARING, BALL - 6901	
19	90085706901	1	BEARING, BALL - 6901	
20	90070600012	1	CIRCLIP 12	
21	61033521460	1	SNAP RING 60	
22	60541611050	2	OILSEAL	
23	9400306003	2	BEARING, BALL - 6003	
24	V653000000	1	GEAR, WORM WHEEL	
25	V381000000	1	WOODRUFF KEY	
26	C534000490	1	SHAFT, WORM WHEEL	



900 0010 000

ITEM	PART NUMBER	QTY	DESCRIPTION	REMARKS
1	P021000460	2	HANDLE BRACKET ASY	INCLUDES ITEM 2-3
2	90016205025	4	SCREW 5X25	
3	90014206030	2	BOLT 6X30	
4	35121425560	1	HANDLE, FRONT	
5	35131102330	1	GRIP, HANDLE	
6	90023805016	4	SCREW 5X16	
7	90056000005	4	LOCKNUT 5	
8	90026305012	4	SCREW 5X12 - TAPPING	
9	69901325560	1	RETAINER, FLAP	
10	69901025560	1	FLAP, DEBRIS	
11	30213025560	1	SHIELD	
12	89011804262	1	LABEL -- ECHO	
13	90003100200	2	LOCKNUT	
14	90060000008	4	WASHER	
15	C7300000030	2	WHEEL	
16	30242452630	2	COLLAR 12	
17	60510525560	1	BRACKET, FRONT AXLE	INCLUDES ITEM 18
18	88996022660	1	DOWEL PIN	
19	61025055330	2	CARRAGE BOLT 5/16 X 2-1/2 X 18 INCH	



031 0036 000

ITEM	PART NUMBER	QTY	DESCRIPTION	REMARKS
1	C050001070	1	MAIN PIPE ASY	INCLUDES ITEMS 2-4
2	61024644730	2	STOPPER	
3	C507000240	1	LINER	
4	X505002540	1	LABEL, CAUTION	
5	C506000002	1	DRIVESHAFT - FLEXIBLE	
6	35122301130	1	CAP, PROTECTIVE	
7	99944200630	1	PAS ATTACHMENT HANGER	INCLUDES 4 PER PACKAGE



Part Number Index

Click The Page Number After Any Part Number To View The Diagram Containing That Part.

Part Number	Page
21001325560	5
30213025560	9
30242452630	9
35121425560	9
35122301130	11
35131102330	9
60510525560	9
60541611050	7
60561111050	5
60561211050	5
61004725560	5
61024644730	11
61025055330	9
61033521460	7
69411325561	5
69633425660	5
69633525560	5
69901025560	9
69901325560	9
88995325560	5
88996022660	9
89011804262	9
90003100200	9
90010008010	7
90014206030	9
90016205012	7
90016205020	7
90016205025	9
90016206030	7
90023805016	9
90026305012	9
90056000005	9
90060000008	9
90070600012	7
90085506901	7
90085706901	7
9400306003	7
99944200630	11
C050001070	11
C051000300	7
C506000002	11
C507000240	11
C534000490	7
C730000030	9
P021000460	9
P021016400	7
V340000220	7
V340000230	7
V376001040	7
V381000000	7
V381000010	7
V555000060	7
V585000030	7
V590000010	7
V622000030	7
V650000370	7
V650000380	7
V652000060	7
V653000000	7
X505002540	11



Part Description Index

Click The Page Number After Any Part Description To View The Diagram Containing That Part.

B

BALL.....7
 BEARING, BALL - 6003.....7
 BEARING, BALL - 6901.....7
 BEARING, NEEDLE.....7
 BEARING, THRUST.....7
 BOLT.....5
 BOLT 6X30.....9
 BOLT 8X10.....7
 BRACKET, FRONT AXLE.....9
 BUSHING.....7

C

CAP, PROTECTIVE.....11
 CARRAGE BOLT 5/16 X 2-1/2 X 18 INCH.....9
 CIRCLIP 12.....7
 CLEVIS PIN.....5
 COLLAR 12.....9
 COVER, DEBRIS.....5

D

DOWEL PIN.....7, 9
 DRIVESHAFT - FLEXIBLE.....11
 DRUM - LEFT.....5
 DRUM - RIGHT.....5

F

FLAP, DEBRIS.....9

G

GEAR CASE ASY.....7
 GEAR HOUSING ASY.....7
 GEAR, SPUR - 12 TOOTH.....7
 GEAR, SPUR - 19 TOOTH.....7
 GEAR, WORM.....7
 GEAR, WORM WHEEL.....7
 GRIP, HANDLE.....9
 GUIDE, GRASS.....5

H

HAIRPIN COTTER.....5
 HANDLE BRACKET ASY.....9
 HANDLE, FRONT.....9

L

LABEL -- ECHO.....9
 LABEL, CAUTION.....11
 LINER.....11
 LOCKNUT.....9
 LOCKNUT 5.....9

M

MAIN PIPE ASY.....11

O

OILSEAL.....7

P

PAS ATTACHMENT HANGER.....11

R

RETAINER, FLAP.....9

S

SCREW 5X12.....7
 SCREW 5X12 - TAPPING.....9
 SCREW 5X16.....9
 SCREW 5X20.....7
 SCREW 5X25.....9
 SCREW 6X30.....7
 SHAFT, WORM WHEEL.....7
 SHIELD.....9
 SNAP RING 60.....7
 SPRING, THATCHING.....5
 STOPPER.....11

W

WASHER.....7, 9
 WHEEL.....9
 WOODRUFF KEY.....7



ECHO, INCORPORATED

400 Oakwood Road
Lake Zurich, IL 60047 USA

WWW.ECHO-USA.COM
