

# HC-245 Hedge Trimmer

Cortaseto  
21.2 cc

S/N: S64911001001 - S64911999999

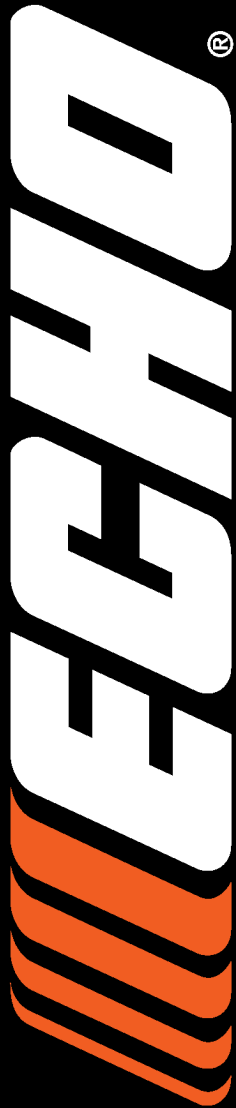


**Optional Attachments & Accessories**  
**Accesorios**

**Accesorios & Accesorios Opcionales**  
**Accesorios**

Debris Deflector Shield 99945100010

Protector deflector de residuos



**TABLE OF CONTENTS - CONTENIDO**

*Click Any Diagram Description Below To View That Diagram*

*Chasque cualquier descripción del diagrama abajo para ver ese diagrama*

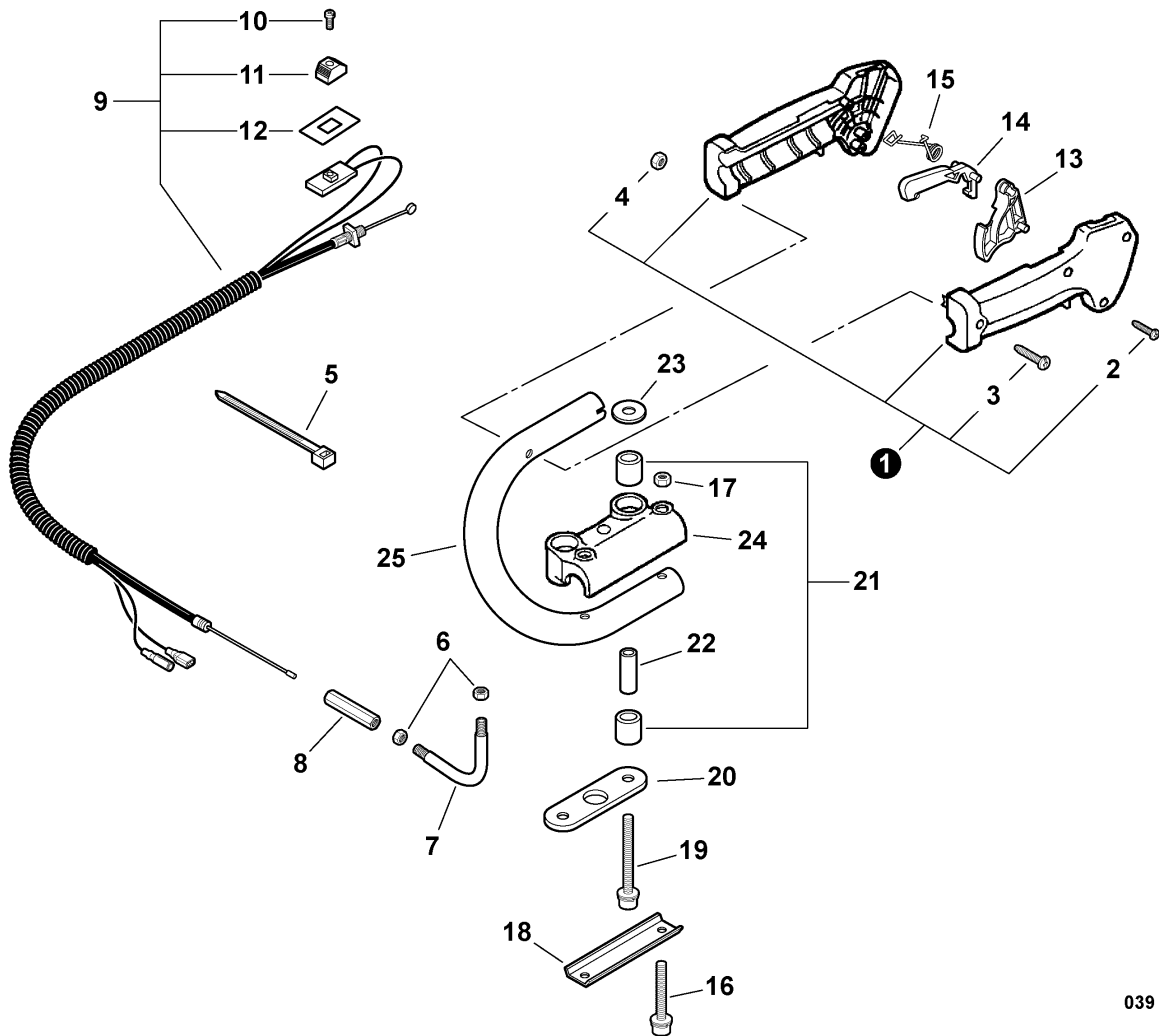
<b>Rear Handle, Throttle Control S/N: S64911001001 - S64911010029.....</b>	<b>3</b>
Mango Trasero, Control del Acelerador N/S: S64911001001 - S64911010029	
<b>Rear Handle, Throttle Control S/N: S64911010030 - S64911999999.....</b>	<b>4</b>
Mango Trasero, Control del Acelerador N/S: S64911010030 - S64911999999	
<b>Gear Case, Blades, Front Handle.....</b>	<b>5</b>
Caja de Angranajes, Cuchillas, Mango Delantero	
<b>Clutch.....</b>	<b>7</b>
Embrague	
<b>Intake.....</b>	<b>8</b>
Admisión	
<b>Carburetor -- RB-K88 S/N: S64911001001 - S64911010029.....</b>	<b>9</b>
Carburador -- RB-K88 N/S: S64911001001 - S64911010029	
<b>Carburetor -- RB-K91 S/N: S64911010030 - S64911011405.....</b>	<b>11</b>
Carburador -- RB-K91 N/S: S64911010030 - S64911011405	
<b>Carburetor -- RB-K91A S/N: S64911011406 - S64911999999.....</b>	<b>13</b>
Carburador -- RB-K91A N/S: S64911011406 - S64911999999	
<b>Exhaust S/N: S64911001001 - S64911010000.....</b>	<b>15</b>
Escape N/S: S64911001001 - S64911010000	
<b>Exhaust S/N: S64911010001 - S64911999999.....</b>	<b>16</b>
Escape N/S: S64911010001 - S64911999999	
<b>Fuel System S/N: S69411001001 - S69411011567.....</b>	<b>17</b>
Sistema de Combustible N/S: S69411001001 - S69411011567	
<b>Fuel System S/N: S69411011568 - S69411999999.....</b>	<b>18</b>
Sistema de Combustible N/S: S69411011568 - S69411999999	
<b>Starter.....</b>	<b>19</b>
Arrancador	
<b>Engine Cover, Debris Guard.....</b>	<b>20</b>
Cubierta del Motor, Protector Contra Residuos	
<b>Ignition.....</b>	<b>21</b>
Ignición	
<b>Engine, Short Block -- SB1075.....</b>	<b>22</b>
Motor, Bloque Corto -- SB1075	
<b>Labels.....</b>	<b>23</b>
Etiquetas	
<b>RePower Kits.....</b>	<b>24</b>
Kits RePower	
<b>Part Number Index.....</b>	<b>25</b>
Índice Del Número De Parte	



**NOTES -- NOTAS**

Cortaseto

Rear Handle, Throttle Control  
Mango Trasero, Control del Acelerador  
S/N: S64911001001 - S64911010029

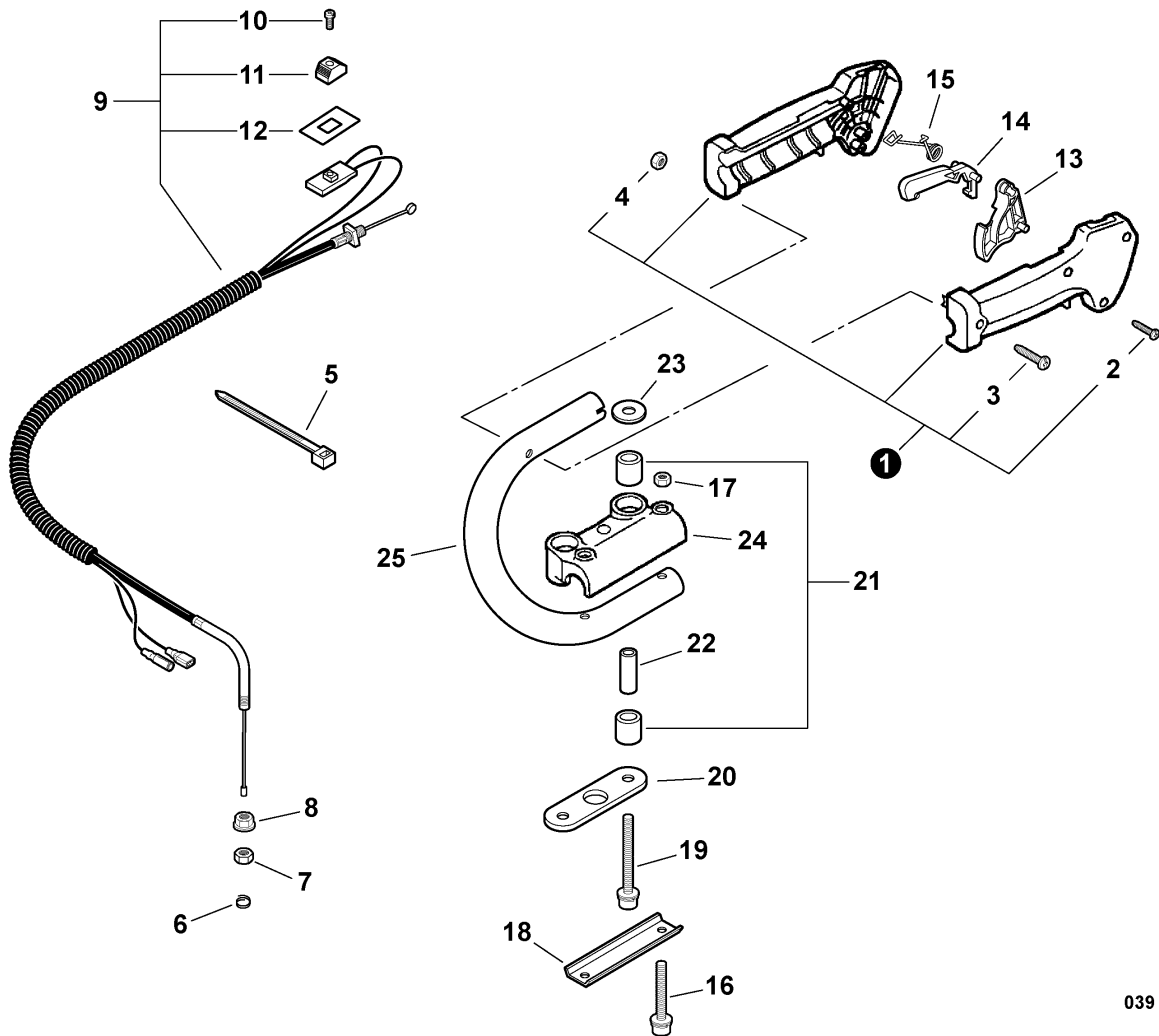


039 0005 000

①	35110247530	1	THROTTLE CONTROL ASSY	CONJUNTO DE CONTROL DEL ACELERADOR
2	+ 90024603025	4	SCREW - 3X25	TORNILLO - 3X25
3	+ 90022005030	1	SCREW - 5X30	TORNILLO - 5X30
4	+ 90050000005	1	NUT - 5	TUERCA - 5
5	17812143230	1	TIE, CABLE - SMALL	CORREA DE AMARRE - PEQUEÑA
6	9200307000	2	NUT	TUERCA
7	C482000050	1	TUBE, THROTTLE CABLE	TUBO, CABLE DEL ACELERADOR
8	C482000060	1	CONNECTOR, THROTTLE CABLE	CONECTOR, CABLE DEL ACELERADOR
9	V043000121	1	CONTROL CABLE ASSY	CONJUNTO DE CABLE DE CONTROL
10	+ 90022003010	1	SCREW - 3X10	TORNILLO - 3X10
11	+ 16341049231	1	KNOB, SWITCH - ORANGE	PERILLA, INTERRUPTOR - NARANJA
12	+ 89015712330	1	COVER, SWITCH - STOP	CUBIERTA, INTERRUPTOR - PARADA
13	17801005960	1	TRIGGER, THROTTLE	GATILLO, ACELERADOR
14	17801205960	1	LOCKOUT, TRIGGER	TRABA, GATILLO
15	17801335631	1	SPRING, THROTTLE LOCK	RESORTE, TRABA DEL ACELERADOR
16	90016205035	2	SCREW - 5X35	TORNILLO - 5X35
17	90050000005	2	NUT - 5	TUERCA - 5
18	35124301260	1	BRACKET, HANDLE - LOWER	SOPORTE, MANGO - INFERIOR
19	90016205045	2	SCREW - 5X40	TORNILLO - 5X40
20	35124206961	1	PLATE	PLACA
21	35122807760	4	CUSHION	COJIN
22	35124101260	2	SPACER	ESPACIADOR
23	30021700610	2	WASHER	ARANDELA
24	35121707761	1	BRACKET, HANDLE - UPPER	SOPORTE, MANGO - SUPERIOR
25	C410000170	1	HANDLE - REAR	MANGO - TRASERO

Cortaseto

Rear Handle, Throttle Control  
Mango Trasero, Control del Acelerador  
S/N: S64911010030 - S64911999999

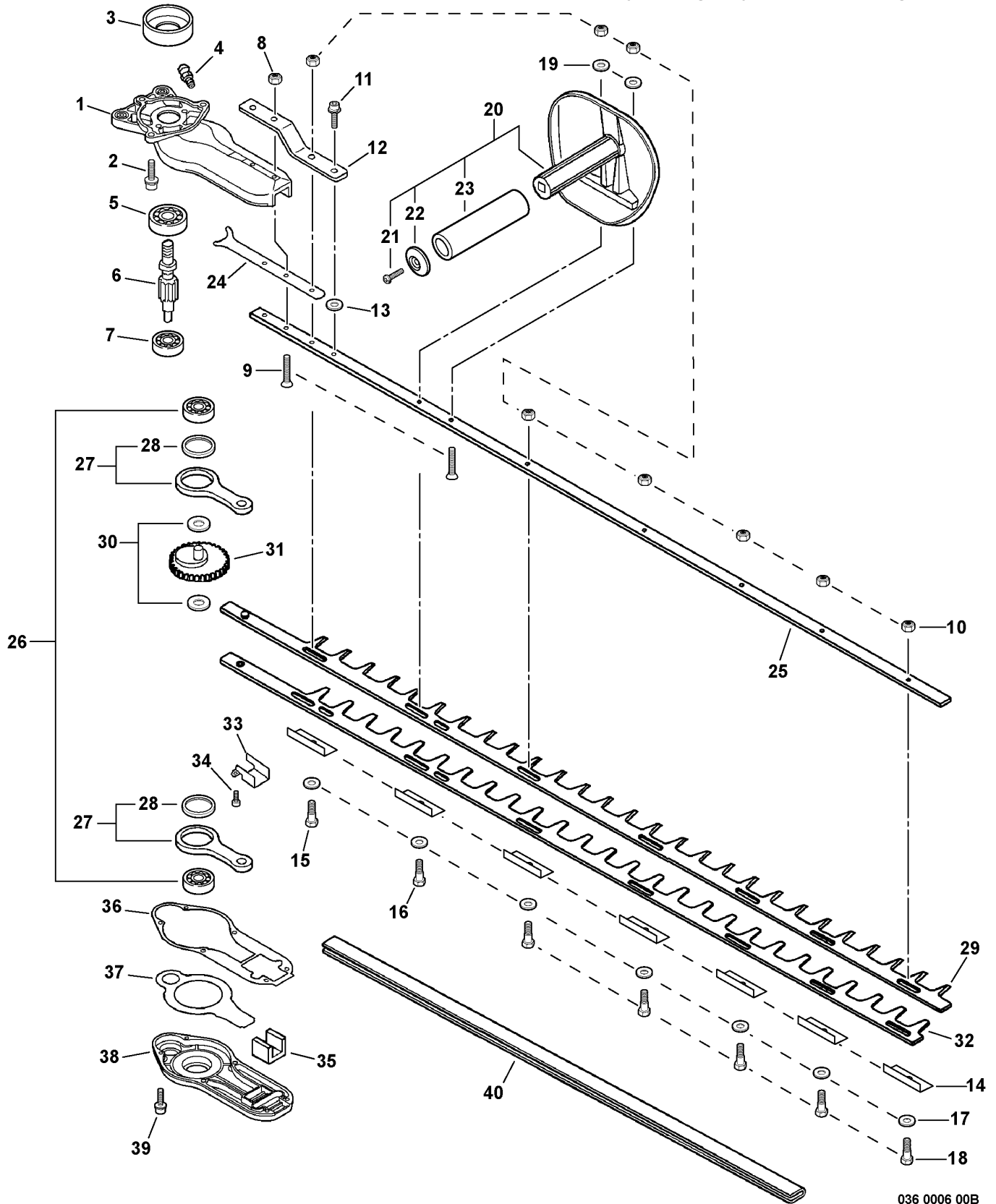


039 0002 000

①	35110247530	1	THROTTLE CONTROL ASSY	CONJUNTO DE CONTROL DEL ACELERADOR
2	+ 90024603025	4	SCREW - 3X25	TORNILLO - 3X25
3	+ 90022005030	1	SCREW - 5X30	TORNILLO - 5X30
4	+ 90050000005	1	NUT - 5	TUERCA - 5
5	17812143230	1	TIE, CABLE - SMALL	CORREA DE AMARRE - PEQUEÑA
6	V490001100	1	CLIP	GANCHO
7	90050200006	1	NUT - 6	TUERCA - 6
8	90051800006	1	NUT - 6 -- FLANGE	TUERCA, DE BRIDA - 6
9	V043000230	1	CONTROL CABLE ASSY	CONJUNTO DE CABLE DE CONTROL
10	+ 90022003010	1	SCREW - 3X10	TORNILLO - 3X10
11	+ 16341049231	1	KNOB, SWITCH - ORANGE	PERILLA, INTERRUPTOR - NARANJA
12	+ 89015712330	1	COVER, SWITCH - STOP	CUBIERTA, INTERRUPTOR - PARADA
13	17801005960	1	TRIGGER, THROTTLE	GATILLO, ACELERADOR
14	17801205960	1	LOCKOUT, TRIGGER	TRABA, GATILLO
15	17801335631	1	SPRING, THROTTLE LOCK	RESORTE, TRABA DEL ACELERADOR
16	90016205035	2	SCREW - 5X35	TORNILLO - 5X35
17	90050000005	2	NUT - 5	TUERCA - 5
18	35124301260	1	BRACKET, HANDLE - LOWER	SOPORTE, MANGO - INFERIOR
19	90016205045	2	SCREW - 5X40	TORNILLO - 5X40
20	35124206961	1	PLATE	PLACA
21	35122807760	4	CUSHION	COJIN
22	35124101260	2	SPACER	ESPACIADOR
23	30021700610	2	WASHER	ARANDELA
24	35121707761	1	BRACKET, HANDLE - UPPER	SOPORTE, MANGO - SUPERIOR
25	C410000170	1	HANDLE - REAR	MANGO - TRASERO

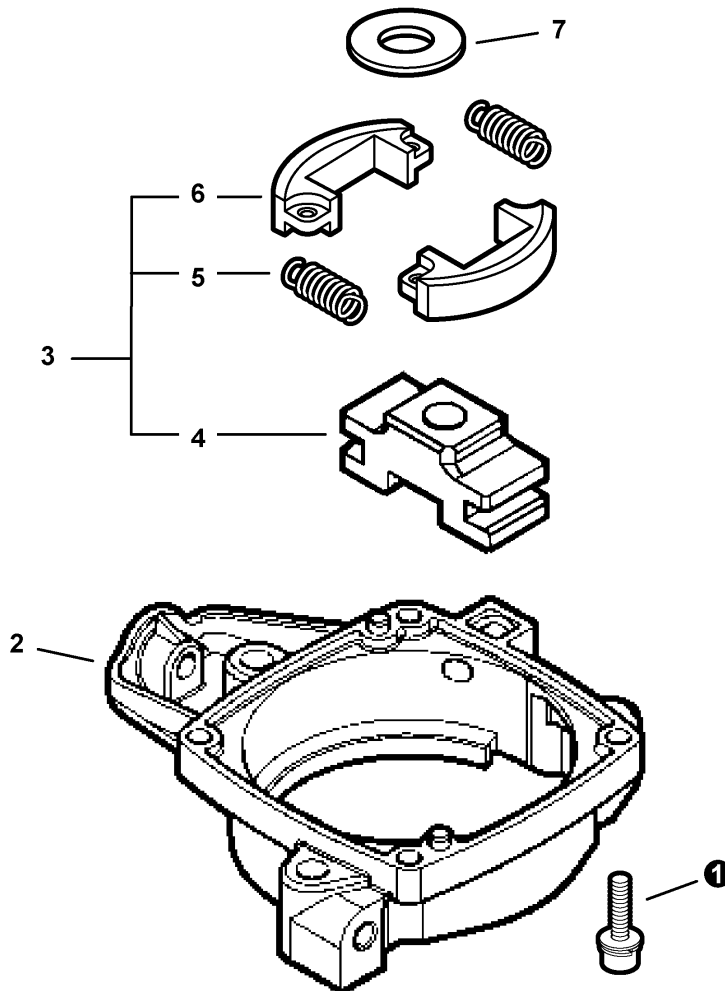
Cortaseto

Gear Case, Blades, Front Handle  
Caja de Angranajes, Cuchillas, Mango Delantero



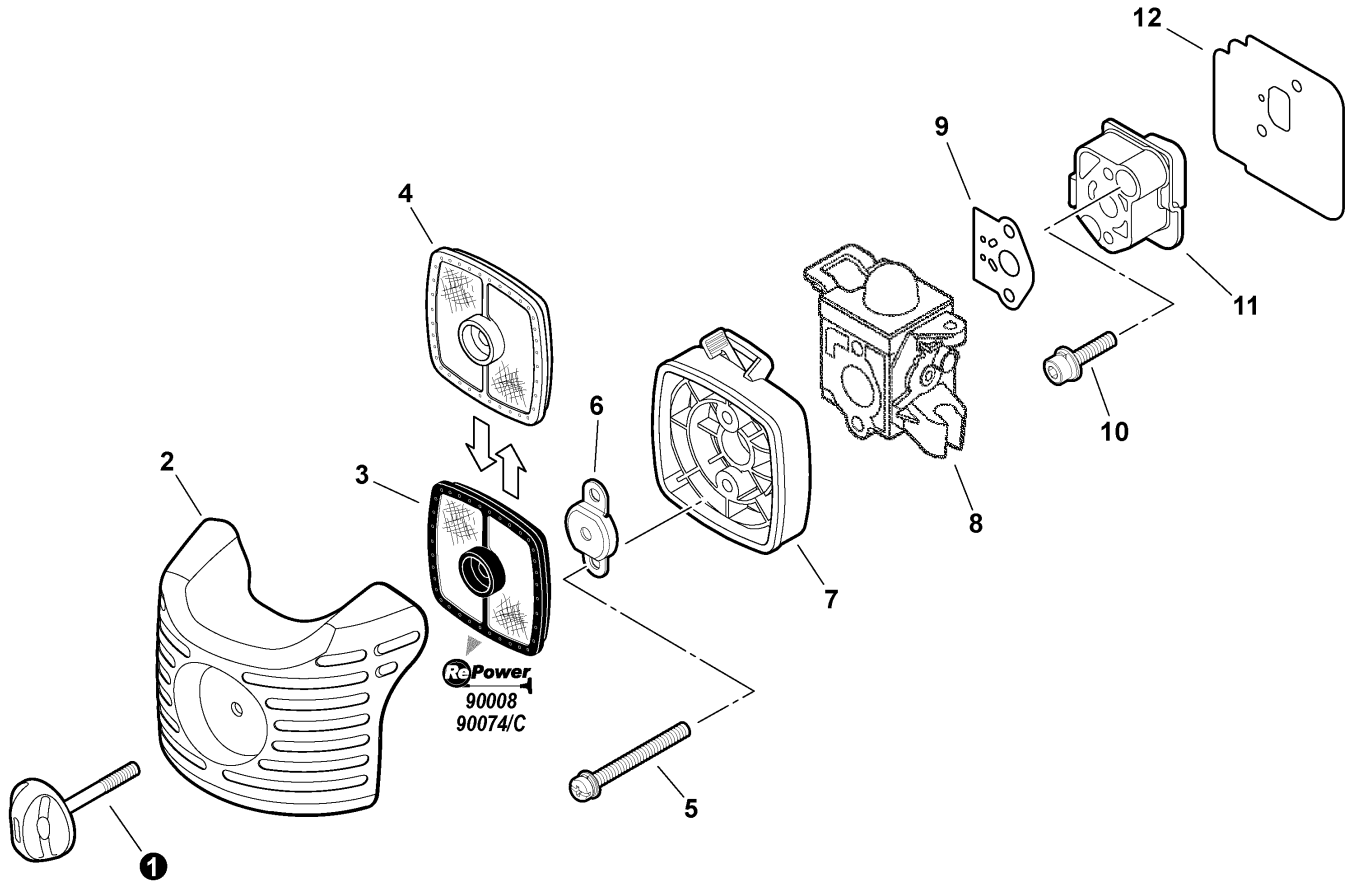
036 0006 00B

1	C531000270	1	CASE, GEAR - UPPER	CARCASA, ENGRANAJES - SUPERIOR
2	90016206018	3	SCREW - 6X18	TORNILLO - 6X18
3	A556000500	1	DRUM, CLUTCH	TAMBOR, EMBRAGUE
4	88011010860	1	FITTING, GREASE	GRASERA
5	90081206200	1	BEARING, BALL - 6200	COJINETE DE BOLAS - 6200
6	V650000160	1	GEAR, SPUR	ENGRANAJE RECTO
7	90080400608	1	BEARING, BALL - 608ZZ	COJINETE DE BOLAS - 608ZZ
8	90051800006	2	NUT - 6 -- FLANGE	TUERCA, DE BRIDA - 6
9	9110306030	3	SCREW - 6X30	TORNILLO - 6X30
10	43302206460	8	LOCKNUT - 6	CONTRATUERCA - 6
11	90010306012	1	BOLT - 6X12	PERNO - 6X12
12	69921308960	1	BRACKET, ANGLE	SOPORTE, EN ÁNGULO
13	90063000006	1	WASHER - 6	ARANDELA - 6
14	69921302063	7	INSULATOR	AISLANTE
15	69911505360	1	BOLT - 6X35	PERNO - 6X35
16	35102702060	1	BOLT	PERNO
17	69911801261	7	WASHER	ARANDELA
18	69911502062	5	BOLT	PERNO
19	90060300006	2	WASHER - 6	ARANDELA - 6
20	35120007363	1	FRONT HANDLE ASSY	CONJUNTO DE MANGO DELANTERO
21	+ 90025305014	1	SCREW - 5X14	TORNILLO - 5X14
22	+ 35121707361	1	CAP	TAPA
23	+ 35101207361	1	GRIP, HANDLE	AGARRE, MANGO
24	V150001240	1	PLATE	PLACA
25	X425000280	1	SUPPORT, BLADE	SOPORTE, CUCHILLA
26	90081006200	2	BEARING, BALL - 6200	COJINETE DE BOLAS - 6200
27	P021008400	2	ROD, CONNECTING	BIELA
28	+ 61032701261	2	BEARING, NEEDLE	COJINETE, DE AGUJAS
29	X411000460	1	BLADE - UPPER -- 40"	CUCHILLA - SUPERIOR -- 40"
30	V307000050	2	WASHER - 10	ARANDELA - 10
31	V060000030	1	GEAR, SPUR	ENGRANAJE RECTO
32	X411000455	1	BLADE - LOWER -- 40"	CUCHILLA - B: 9F-CR -- 40"
33	C538000090	1	GUIDE, BLADE	GUÍA, CUCHILLA
34	90016304016	2	SCREW - 4X16	TORNILLO - 4X16
35	V541000100	1	SEAL	SELLO
36	V110000030	1	GASKET, GEAR CASE	JUNTA, CAJA DE ENGRANAJES
37	C542000020	1	PLATE, GEAR CASE	PLACA, CAJA DE ENGRANAJES
38	C531000280	1	CASE, GEAR - LOWER	CARCASA, ENGRANAJES - INFERIOR
39	90016304016	6	SCREW - 4X16	TORNILLO - 4X16
40	89852308960	1	COVER, BLADE	CUBIERTA, CUCHILLA



009 0005 VRT

1	90016304016	4	SCREW - 4X16	TORNILLO - 4X16
2	A570000140	1	CASE, CLUTCH	CARCASA, EMBRAGUE
3	A056000190	1	CLUTCH ASSY	CONJUNTO DE EMBRAGUE
4	+ A552000080	1	HUB, CLUTCH	CUBO, EMBRAGUE
5	+ A566000000	2	SPRING, CLUTCH	RESORTE, EMBRAGUE
6	+ 17501744331	2	SHOE, CLUTCH	ZAPATA, EMBRAGUE
7	61035012360	1	WASHER - 8	ARANDELA - 8



005 0009 VRT

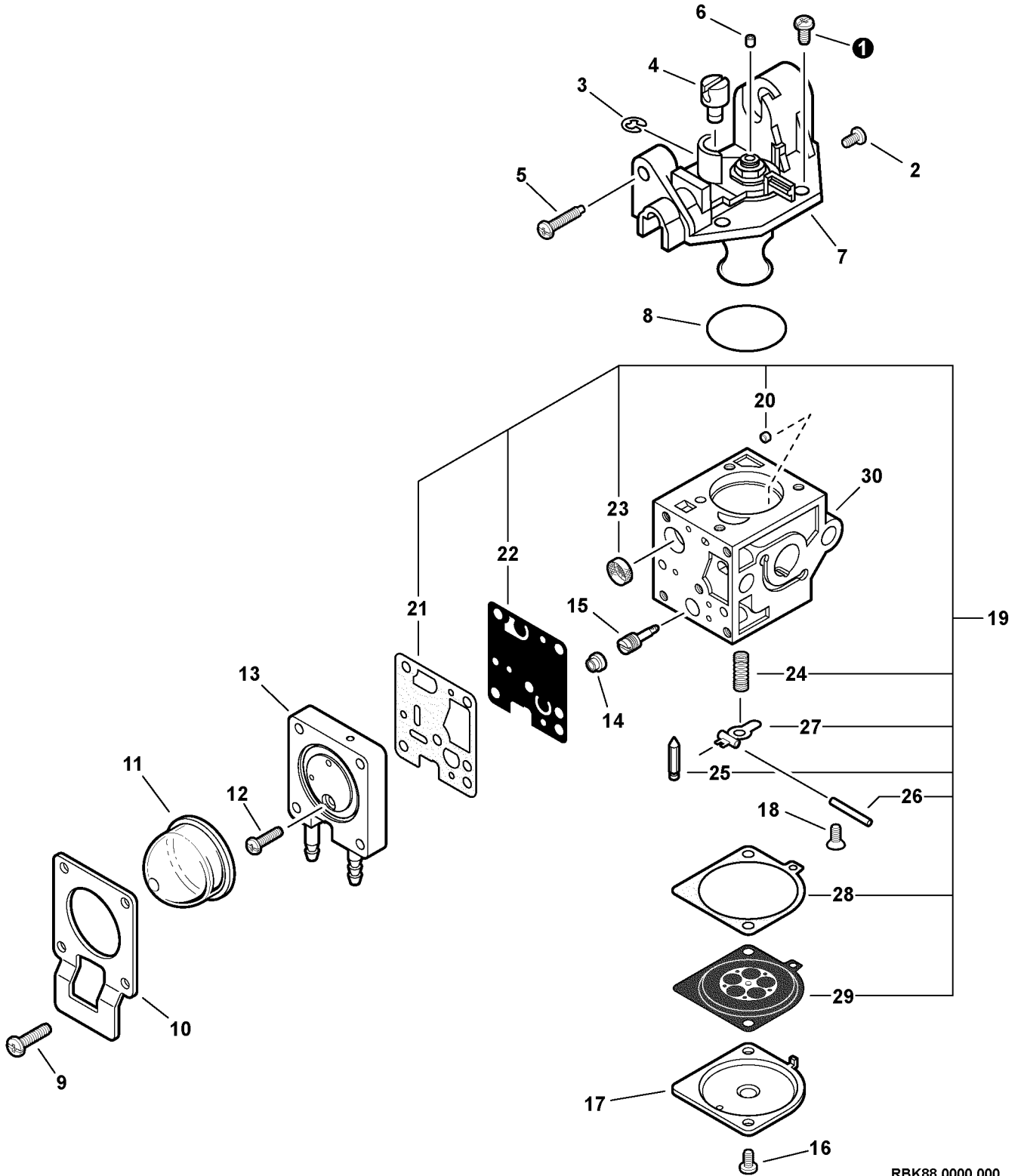
①	V299000250	1	THUMBSCREW	TORNILLO, DE OREJETAS
2	A232000400	1	COVER, AIR FILTER	CUBIERTA, FILTRO DE AIRE
3	A226001410	1	FILTER, AIR - DOUBLE LAYER	FILTRO DE AIRE - CAPA DOBLE
4	13031054130	1	FILTER, AIR - SINGLE LAYER	FILTRO DE AIRE - CAPA ÚNICA
5	90024205065	2	SCREW - 5X65	TORNILLO - 5X65
6	12901152730	1	PLATE, PREVENT	PLACA, PRE-RESPIRADERO
7	P021012870	1	CASE, AIR FILTER	CARCASA, FILTRO DE AIRE
8	-----	1	CARBURETOR	CARBURADOR
9	V103000410	1	GASKET, INTAKE	JUNTA, ADMISIÓN
10	A200000300	1	INSULATOR, INTAKE	ADMISIÓN, ADMISIÓN
11	90016205025	2	SCREW - 5X25	TORNILLO - 5X25
12	V103000180	1	SHIELD, INTAKE	PROTECTOR, ADMISIÓN
13	90074		RePower TUNE-UP KIT	KIT DE PUESTA A PUNTO
13	90074C		RePower TUNE-UP KIT	KIT DE PUESTA A PUNTO
14	90008		RePower FILTER KIT	KIT DE FILTRACIÓN

Cortaseto

Carburetor -- RB-K88

Carburador -- RB-K88

S/N: S64911001001 - S64911010029



RBK88 0000 000

Cortaseto

Carburetor -- RB-K88

Carburador -- RB-K88

S/N: S64911001001 - S64911010029

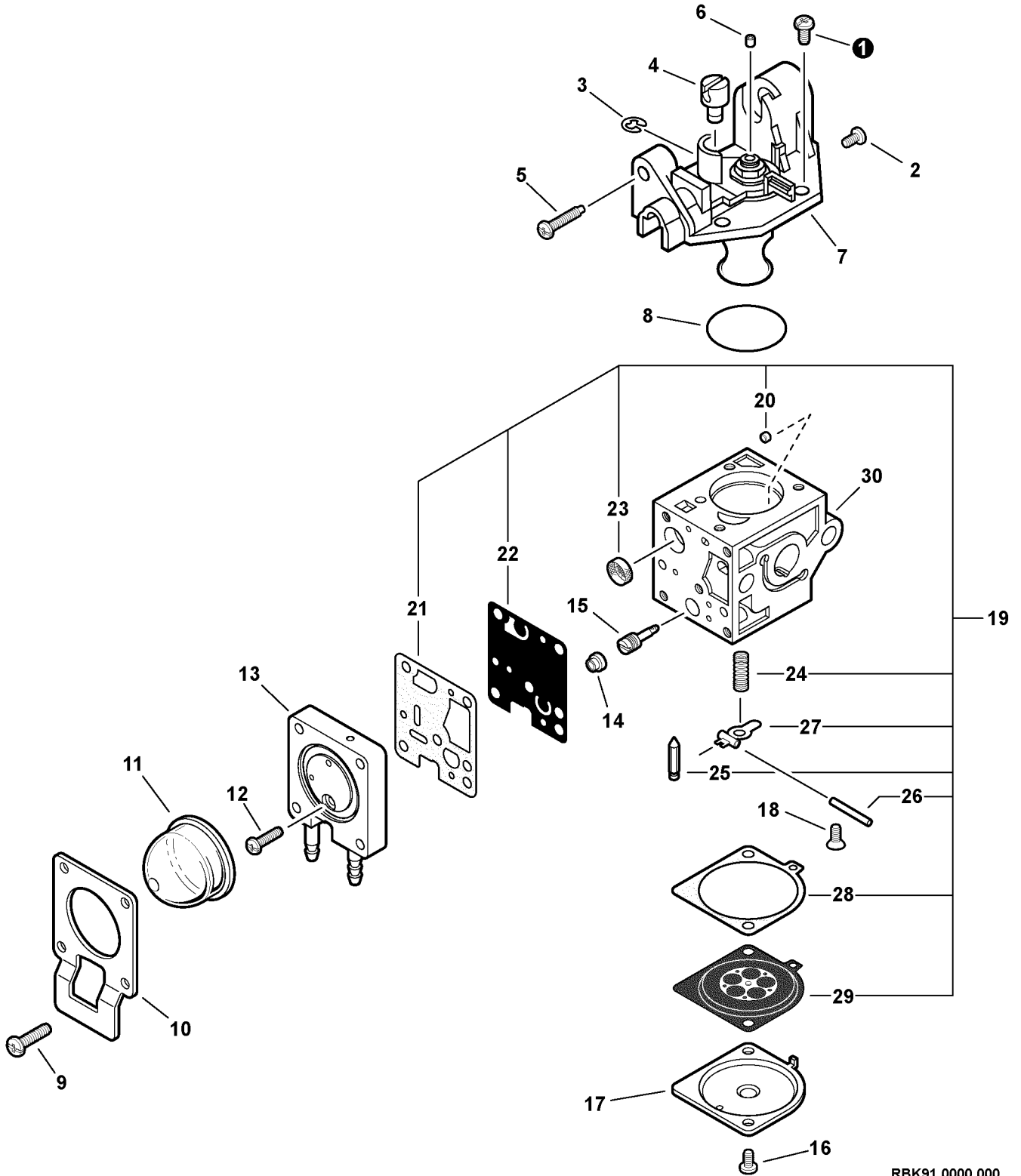
	A021001520	1	CARBURETOR -- RB-K88	CARBURADOR -- RB-K88
①	+ 12534413931	3	SCREW	TORNILLO
2	+ 12534452130	1	SCREW	TORNILLO
3	+ P005000190	1	RING, RETAINING	ANILLO, RETÉN
4	+ P005002090	1	SWIVEL	PIVOTE
5	+ P005000100	1	SCREW, IDLE ADJUST	TORNILLO, AJUSTE DE RALENTÍ
6	+ P005001270	1	PLUG	TAPÓN
7	+ P005001320	1	ROTOR COVER ASSY	CONJUNTO DE CUBIERTA DEL ROTOR
8	+ P005000280	1	O-RING	ANILLO O
9	+ P005001900	4	SCREW, PURGE BULB RETAINER	TORNILLO, RETÉN DEL BULBO DE LA PURGA
10	+ P005000250	1	RETAINER, PURGE BULB	RETÉN, BULBO DE LA PURGA
11	+ 12538108660	1	BULB, PURGE	BULBO, PURGA
12	+ P005000270	1	SCREW, PURGE BASE	TORNILLO, BASE, PURGA
13	+ P005001890	1	BASE, PURGE	BASE, PURGA
14	+ P005001270	1	PLUG	TAPÓN
15	+ P005001260	1	NEEDLE - HIGH SPEED	AGUJA - ALTA VELOCIDAD
16	+ 12534452130	2	SCREW	TORNILLO
17	+ 12534252130	1	COVER, METERING	CUBIERTA, MEDICIÓN
18	+ 12533942030	1	SCREW, METERING LEVER PIN	TORNILLO, PASADOR DE RETÉN
19	+ P005001670	1	REPAIR KIT	KIT DE REPARACIÓN
20	+ P005001000	1	GUIDE, ROLLER	GUÍA, RODILLO
21	+ -----	1	GASKET, PUMP	JUNTA, BOMBA
22	+ -----	1	DIAPHRAGM, PUMP	DIAFRAGMA, BOMBA
23	+ -----	1	STRAINER	TAMIZ
24	+ -----	1	SPRING, METERING LEVER	RESORTE, PALANCA DE DOSIFICACIÓN
25	+ -----	1	VALVE, INLET NEEDLE	VÁLVULA DE AGUJA, ADMISIÓN
26	+ -----	1	PIN, METERING LEVER	PASADOR, PALANCA DE DOSIFICACIÓN
27	+ -----	1	LEVER, METERING	PALANCA, DOSIFICACIÓN
28	+ -----	1	GASKET, DIAPHRAGM	JUNTA, DIAFRAGMA
29	+ -----	1	DIAPHRAGM, METERING	DIAFRAGMA, DOSIFICACIÓN
30	+ -----	1	BODY, CARBURETOR	CUERPO, CARBURADOR

Cortaseto

Carburetor -- RB-K91

Carburador -- RB-K91

S/N: S64911010030 - S64911011405



RBK91 0000 000

Cortaseto

Carburetor -- RB-K91

Carburador -- RB-K91

S/N: S64911010030 - S64911011405

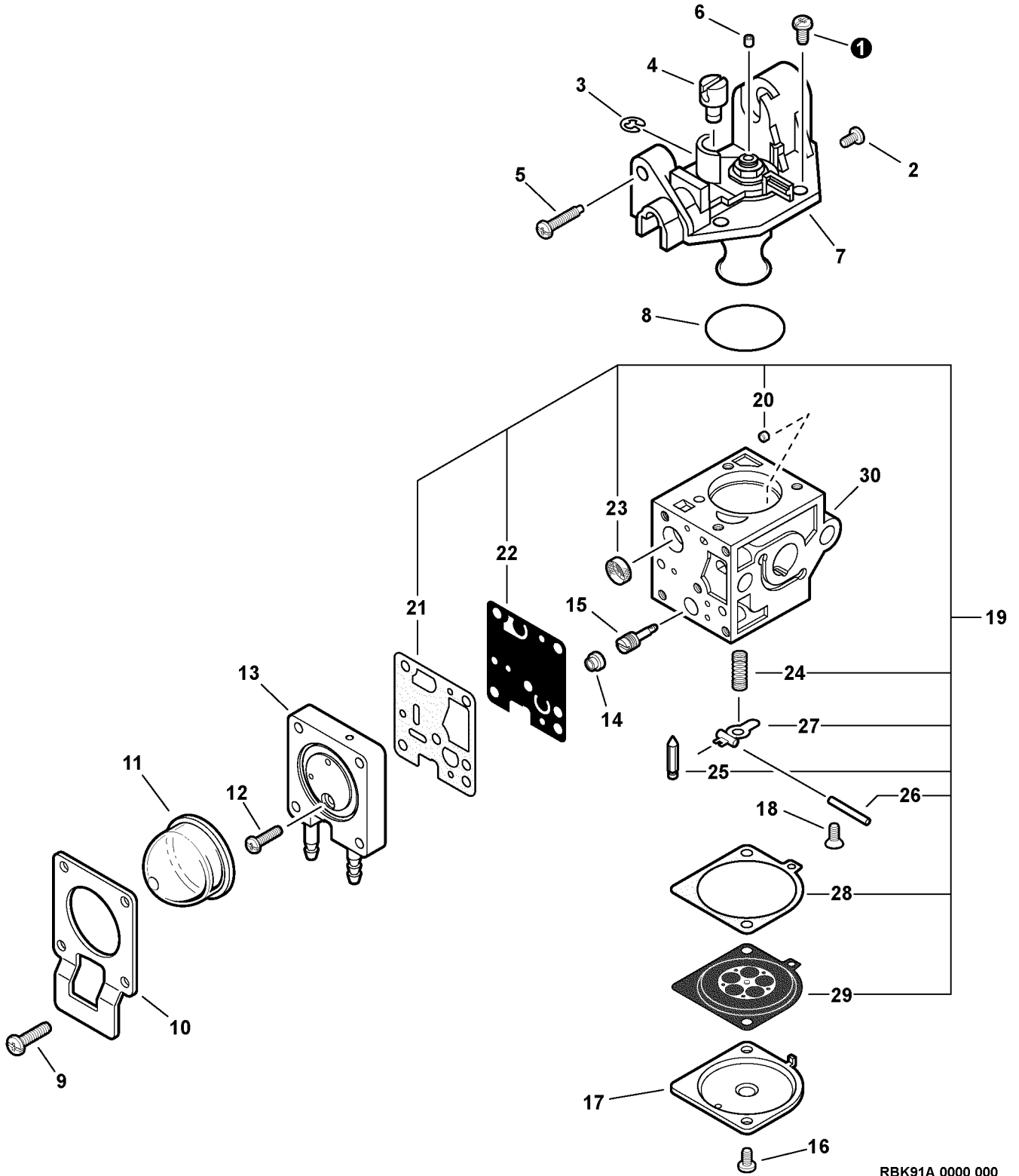
	A021001610	1	CARBURETOR -- RB-K91	CARBURADOR -- RB-K91
①	+ 12534413931	3	SCREW	TORNILLO
2	+ 12534452130	1	SCREW	TORNILLO
3	+ P005000190	1	RING, RETAINING	ANILLO, RETÉN
4	+ P005002090	1	SWIVEL	PIVOTE
5	+ P005000100	1	SCREW, IDLE ADJUST	TORNILLO, AJUSTE DE RALENTÍ
6	+ P005001270	1	PLUG	TAPÓN
7	+ P005002050	1	ROTOR COVER ASSY	CONJUNTO DE CUBIERTA DEL ROTOR
8	+ P005000280	1	O-RING	ANILLO O
9	+ P005001900	4	SCREW, PURGE BULB RETAINER	TORNILLO, RETÉN DEL BULBO DE LA PURGA
10	+ P005000250	1	RETAINER, PURGE BULB	RETÉN, BULBO DE LA PURGA
11	+ 12538108660	1	BULB, PURGE	BULBO, PURGA
12	+ P005000270	1	SCREW, PURGE BASE	TORNILLO, BASE, PURGA
13	+ P005001890	1	BASE, PURGE	BASE, PURGA
14	+ P005001270	1	PLUG	TAPÓN
15	+ P005002060	1	NEEDLE - HIGH SPEED	AGUJA - ALTA VELOCIDAD
16	+ 12534452130	2	SCREW	TORNILLO
17	+ 12534252130	1	COVER, METERING	CUBIERTA, MEDICIÓN
18	+ 12533942030	1	SCREW, METERING LEVER PIN	TORNILLO, PASADOR DE RETÉN
19	+ P005001670	1	REPAIR KIT	KIT DE REPARACIÓN
20	+ P005001000	1	GUIDE, ROLLER	GUÍA, RODILLO
21	+ -----	1	GASKET, PUMP	JUNTA, BOMBA
22	+ -----	1	DIAPHRAGM, PUMP	DIAPHRAGMA, BOMBA
23	+ -----	1	STRAINER	TAMIZ
24	+ -----	1	SPRING, METERING LEVER	RESORTE, PALANCA DE DOSIFICACIÓN
25	+ -----	1	VALVE, INLET NEEDLE	VÁLVULA DE AGUJA, ADMISIÓN
26	+ -----	1	PIN, METERING LEVER	PASADOR, PALANCA DE DOSIFICACIÓN
27	+ -----	1	LEVER, METERING	PALANCA, DOSIFICACIÓN
28	+ -----	1	GASKET, DIAPHRAGM	JUNTA, DIAFRAGMA
29	+ -----	1	DIAPHRAGM, METERING	DIAPHRAGMA, DOSIFICACIÓN
30	+ -----	1	BODY, CARBURETOR	CUERPO, CARBURADOR

Cortaseto

Carburetor -- RB-K91A

Carburador -- RB-K91A

S/N: S64911011406 - S64911999999



RBK91A 0000 000

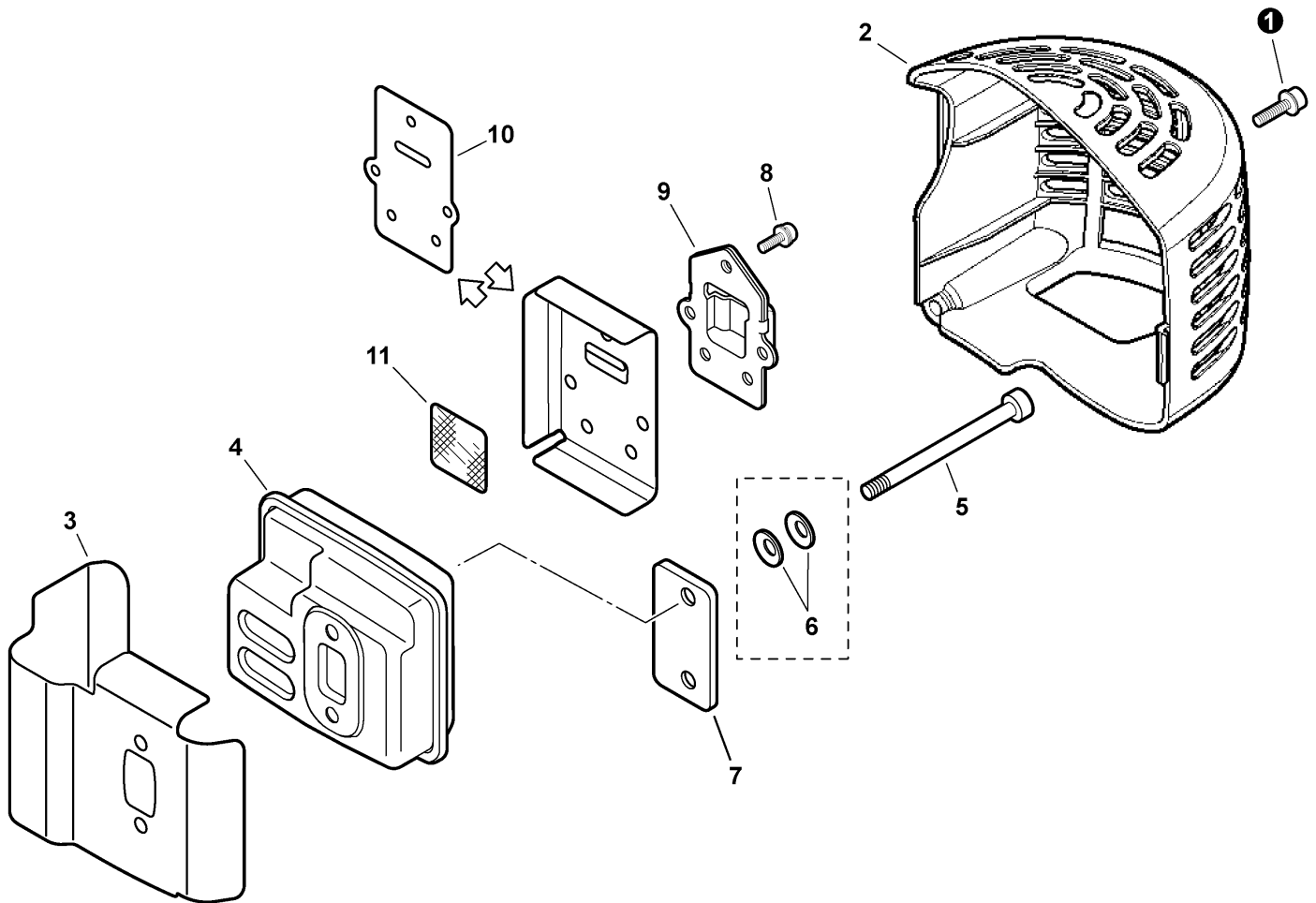
Cortaseto

Carburetor -- RB-K91A

Carburador -- RB-K91A

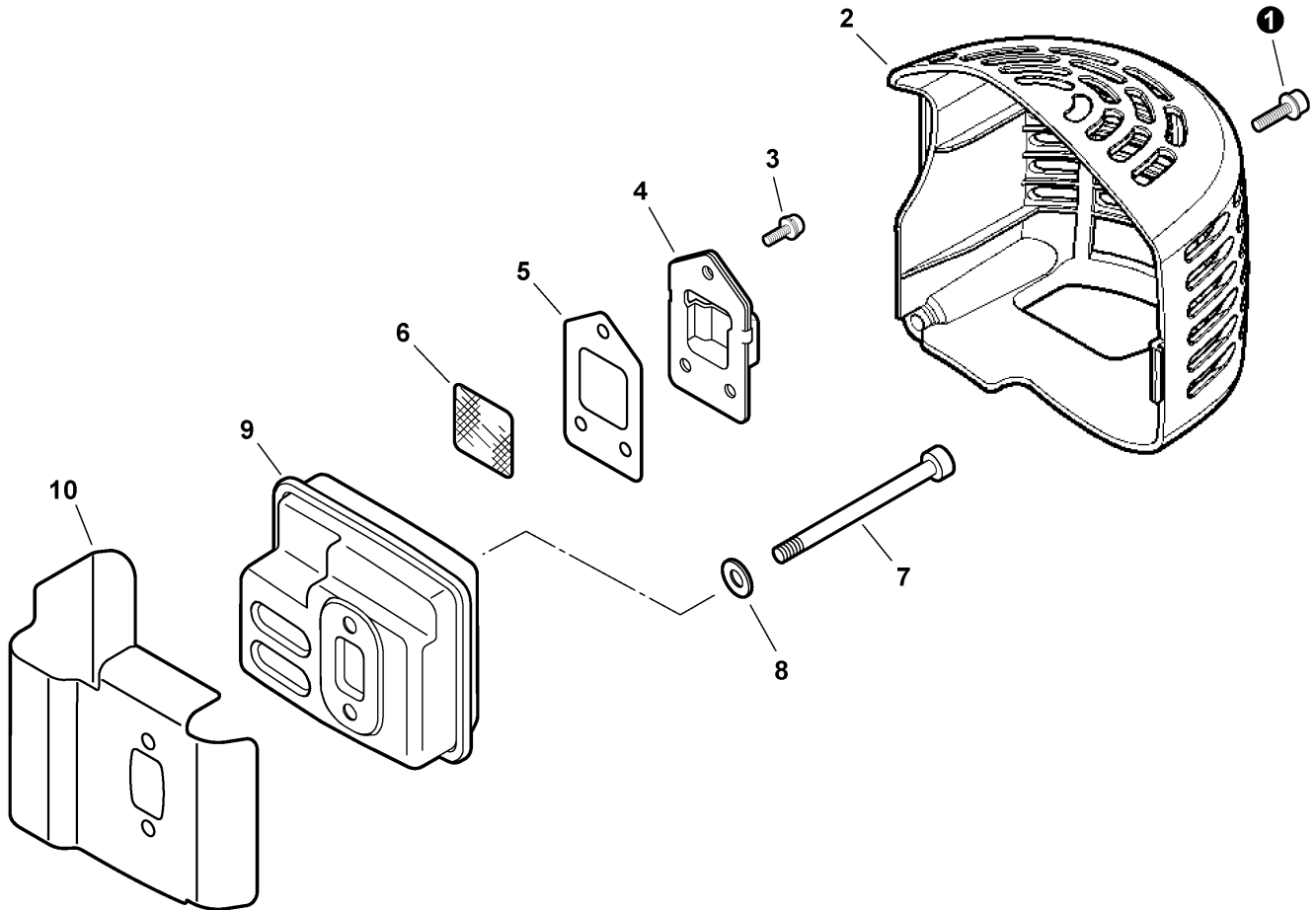
S/N: S64911011406 - S64911999999

	A021001611	1	CARBURETOR -- RB-K91A	CARBURADOR -- RB-K91A
①	+ 12534413931	3	SCREW	TORNILLO
2	+ 12534452130	1	SCREW	TORNILLO
3	+ P005000190	1	RING, RETAINING	ANILLO, RETÉN
4	+ P005002090	1	SWIVEL	PIVOTE
5	+ P005000100	1	SCREW, IDLE ADJUST	TORNILLO, AJUSTE DE RALENTÍ
6	+ P005001270	1	PLUG	TAPÓN
7	+ P005002050	1	ROTOR COVER ASSY	CONJUNTO DE CUBIERTA DEL ROTOR
8	+ P005000280	1	O-RING	ANILLO O
9	+ P005001900	4	SCREW, PURGE BULB RETAINER	TORNILLO, RETÉN DEL BULBO DE LA PURGA
10	+ P005000250	1	RETAINER, PURGE BULB	RETÉN, BULBO DE LA PURGA
11	+ 12538108660	1	BULB, PURGE	BULBO, PURGA
12	+ P005000270	1	SCREW, PURGE BASE	TORNILLO, BASE, PURGA
13	+ P005001890	1	BASE, PURGE	BASE, PURGA
14	+ P005001270	1	PLUG	TAPÓN
15	+ P005002060	1	NEEDLE - HIGH SPEED	AGUJA - ALTA VELOCIDAD
16	+ 12534452130	2	SCREW	TORNILLO
17	+ 12534252130	1	COVER, METERING	CUBIERTA, MEDICIÓN
18	+ 12533942030	1	SCREW, METERING LEVER PIN	TORNILLO, PASADOR DE RETÉN
19	+ P005001670	1	REPAIR KIT	KIT DE REPARACIÓN
20	+ P005001000	1	GUIDE, ROLLER	GUÍA, RODILLO
21	+ -----	1	GASKET, PUMP	JUNTA, BOMBA
22	+ -----	1	DIAPHRAGM, PUMP	DIAPHRAGMA, BOMBA
23	+ -----	1	STRAINER	TAMIZ
24	+ -----	1	SPRING, METERING LEVER	RESORTE, PALANCA DE DOSIFICACIÓN
25	+ -----	1	VALVE, INLET NEEDLE	VÁLVULA DE AGUJA, ADMISIÓN
26	+ -----	1	PIN, METERING LEVER	PASADOR, PALANCA DE DOSIFICACIÓN
27	+ -----	1	LEVER, METERING	PALANCA, DOSIFICACIÓN
28	+ -----	1	GASKET, DIAPHRAGM	JUNTA, DIAFRAGMA
29	+ -----	1	DIAPHRAGM, METERING	DIAPHRAGMA, DOSIFICACIÓN
30	+ -----	1	BODY, CARBURETOR	CUERPO, CARBURADOR



006 0034 VRB

①	9111005016	2	SCREW - 5X16	TORNILLO - 5X16
2	A320000430	1	COVER, EXHAUST	CUBIERTA, ESCAPE
3	V104000850	1	SHIELD, EXHAUST	PROTECTOR, ESCAPE
4	A300000810	1	MUFFLER	SILENCIADOR
5	90010505055	2	SCREW - 5X55	TORNILLO - 5X55
6	V347000000	4	WASHER - CONICAL	ARANDELA - CÓNICA
7	V150000371	1	PLATE	PLACA
8	9136704012	5	SCREW - 4X12	TORNILLO - 4X12
9	A313000600	1	GUIDE, EXHAUST	GUÍA, ESCAPE
10	V104001760	1	GASKET, EXHAUST	JUNTA, ESCAPE
11	14586240630	1	SCREEN, SPARK ARRESTOR	PANTALLA, SUPRESOR DE CHISPAS

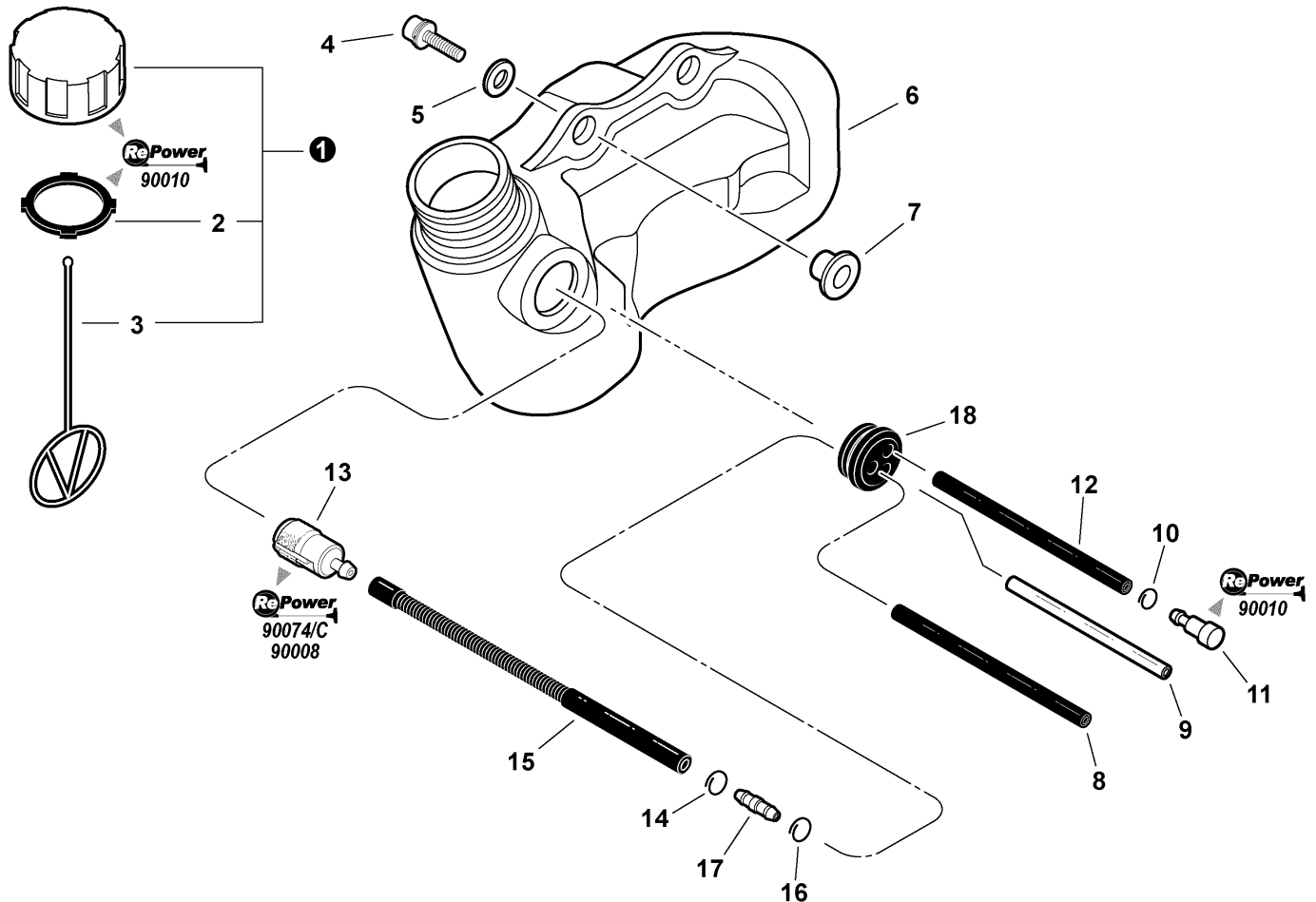


006 0044 VRB

①	9111005016	2	SCREW - 5X16	TORNILLO - 5X16
2	A320000430	1	COVER, EXHAUST	CUBIERTA, ESCAPE
3	90024204010	3	SCREW - 4X10	TORNILLO - 4X10
4	A313000580	1	GUIDE, EXHAUST	GUÍA, ESCAPE
5	14586642031	1	GASKET, EXHAUST	JUNTA, ESCAPE
6	14586240630	1	SCREEN, SPARK ARRESTOR	PANTALLA, SUPRESOR DE CHISPAS
7	90010505055	2	SCREW - 5X55	TORNILLO - 5X50
8	90060000005	2	WASHER - 5	ARANDELA - 5
9	14580642030	1	MUFFLER	SILENCIADOR
10	V104000850	1	SHIELD, EXHAUST	PROTECTOR, ESCAPE

## Cortaseto

Fuel System  
 Sistema de Combustible  
 S/N: S69411001001 - S69411011567

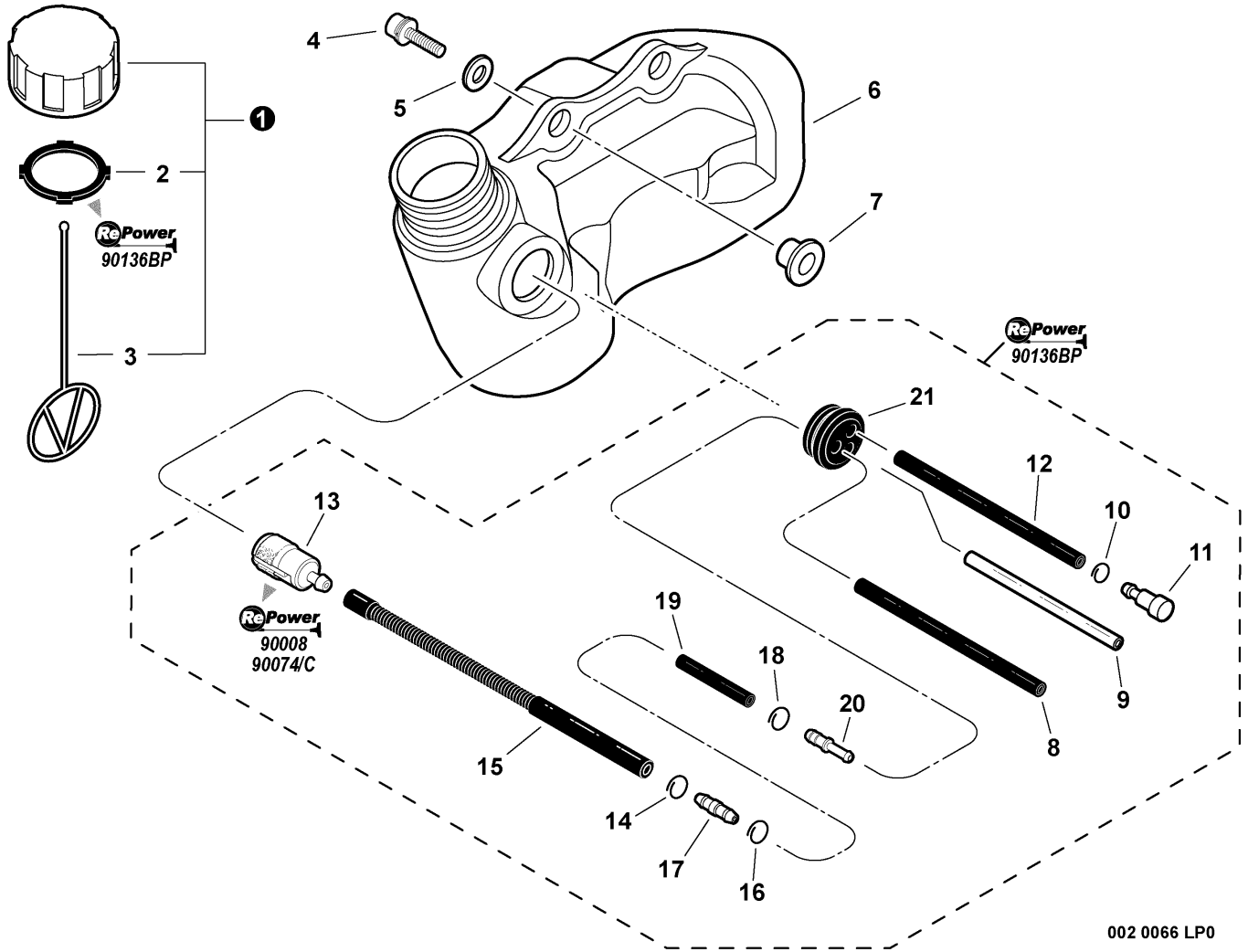


002 0034 VRT

1	P021012210	1	CAP ASSY	CONJUNTO DE TAPA
2	+ 13101655830	1	GASKET, CAP	JUNTA, TAPA
3	+ A365000060	1	CONNECTOR, CAP	CONECTOR, TAPA
4	90016205020	3	SCREW - 5X20	TORNILLO - 5X20
5	90060300005	3	WASHER - 5	ARANDELA - 5
6	A350000810	1	TANK, FUEL	TANQUE, COMBUSTIBLE
7	V353000231	3	COLLAR	ESPACIADOR
8	13011054430	1	PIPE - 3X6X105 -- BLACK	TUBO - 3X6X105 -- NEGRO
9	13201040830	1	PIPE - 3X6X75 -- CLEAR	TUBO - 3X6X75 -- TRANSPARENTE
10	43741119830	1	CLIP - 6.6	GANCHO - 6.6
11	A356000031	1	VENT, FUEL TANK	RESPIRADERO, TANQUE DE COMBUSTIBLE
12	V471001880	1	PIPE - 3X6X65 -- BLACK	TUBO - 3X6X65 -- NEGRO
13	13120507320	1	FILTER, FUEL	FILTRO DE COMBUSTIBLE
14	V490001230	1	CLIP - 6.5	GANCHO - 6.5
15	13201212361	1	PIPE, FUEL - CORRUGATED	TUBO, COMBUSTIBLE - CORRUGADO
16	13201309820	1	CLIP - 6	GANCHO - 6
17	V186000020	1	CONNECTOR, PIPE	CONECTOR, TUBO
18	13211555930	1	GROMMET	ANILLO DE GOMA
19	90008		RePower FILTER KIT	KIT DE FILTRACIÓN
20	90010		Repower CAP AND VENT KIT	KIT DE TAPA Y RESPIRADERO
21	90074		RePower TUNE-UP KIT	KIT DE PUESTA A PUNTO
22	90074C		RePower TUNE-UP KIT	KIT DE PUESTA A PUNTO

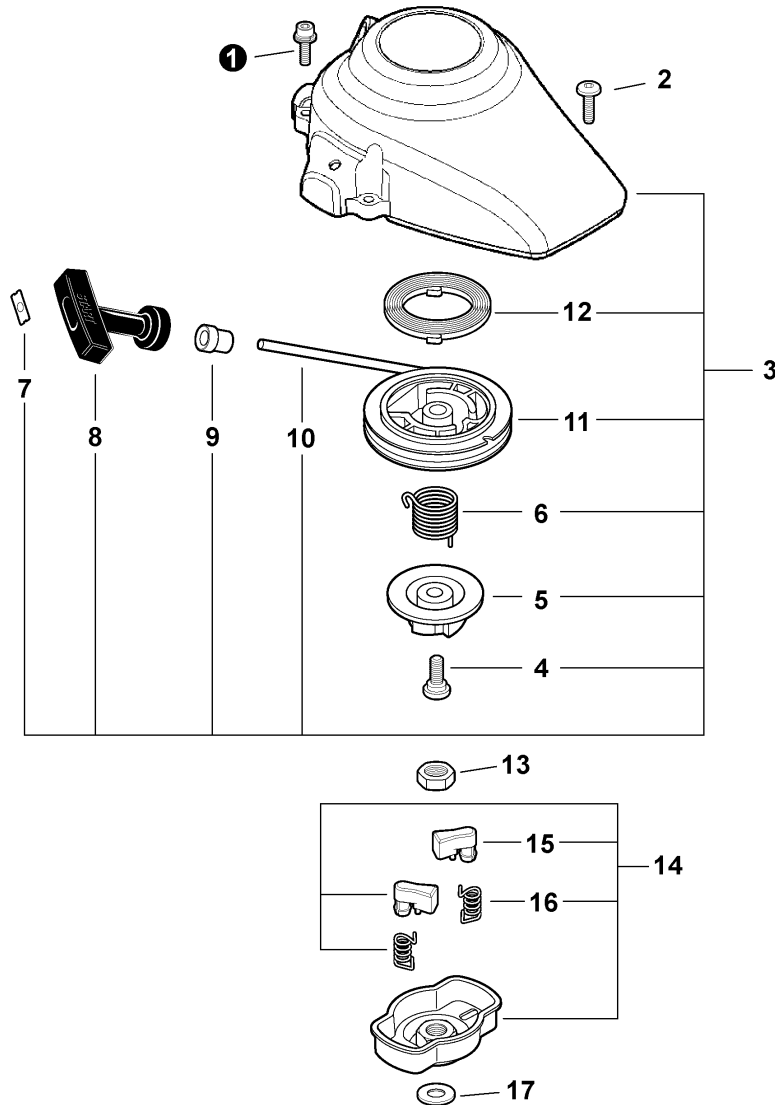
## Cortaseto

Fuel System  
Sistema de Combustible  
S/N: S69411011568 - S69411999999



002 0066 LP0

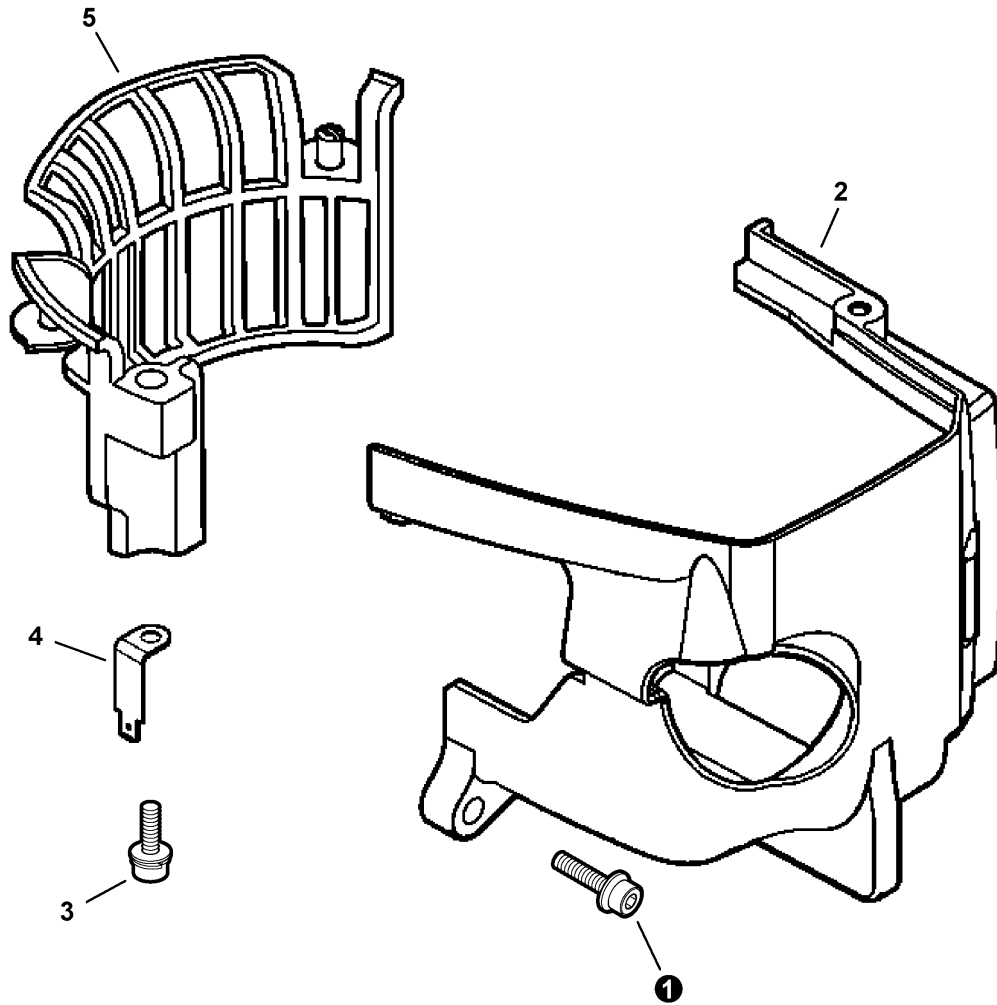
1	P021040430	1	CAP ASSY	CONJUNTO DE TAPA
2	+ V107000150	1	GASKET, CAP	JUNTA, TAPA
3	+ A365000060	1	CONNECTOR, CAP	CONECTOR, TAPA
4	90016205020	3	SCREW - 5X20	TORNILLO - 5X20
5	90060300005	3	WASHER - 5	ARANDELA - 5
6	A350000810	1	TANK, FUEL	TANQUE, COMBUSTIBLE
7	V353000231	3	COLLAR	ESPACIADOR
8	V471003670	1	PIPE, UPPER - 3X5X61 -- BLACK	PIPE, UPPER - 3X5X61 -- BLACK
9	13201040830	1	PIPE - 3X6X75 -- CLEAR	TUBO - 3X6X75 -- TRANSPARENTE
10	V490001240	1	CLIP - 6	GANCHO - 6
11	A356000031	1	VENT, FUEL TANK	RESPIRADERO, TANQUE DE COMBUSTIBLE
12	V471003680	1	PIPE - 3X6X50 -- BLACK	TUBO - 3X6X50 -- NEGRO
13	13120507320	1	FILTER, FUEL	FILTRO DE COMBUSTIBLE
14	43741119830	1	CLIP - 6.6	GANCHO - 6.6
15	13201212361	1	PIPE, FUEL - CORRUGATED	TUBO, COMBUSTIBLE - CORRUGADO
16	V491001230	1	CLIP - 6.5	GANCHO - 6.5
17	V186000510	1	CONNECTOR, PIPE	CONECTOR, TUBO
18	V491001230	1	CLIP - 6.5	GANCHO - 6.5
19	V471001180	1	PIPE - 3X6X35 -- BLACK	TUBO - 3X6X35 -- NEGRO
20	V186000520	1	CONNECTOR, FUEL PIPE	CONECTOR, TUBO DE COMBUSTIBLE
21	13211555930	1	GROMMET	ANILLO DE GOMA
22	90008		RePower FILTER KIT	KIT DE FILTRACIÓN
23	90074		RePower TUNE-UP KIT	KIT DE PUESTA A PUNTO
23	90074C		RePower TUNE-UP KIT	KIT DE PUESTA A PUNTO
24	90136BP		RePower FUEL SYSTEM KIT	KIT DEL SISTEMA DE CARBURANTE



004 0032 VRT

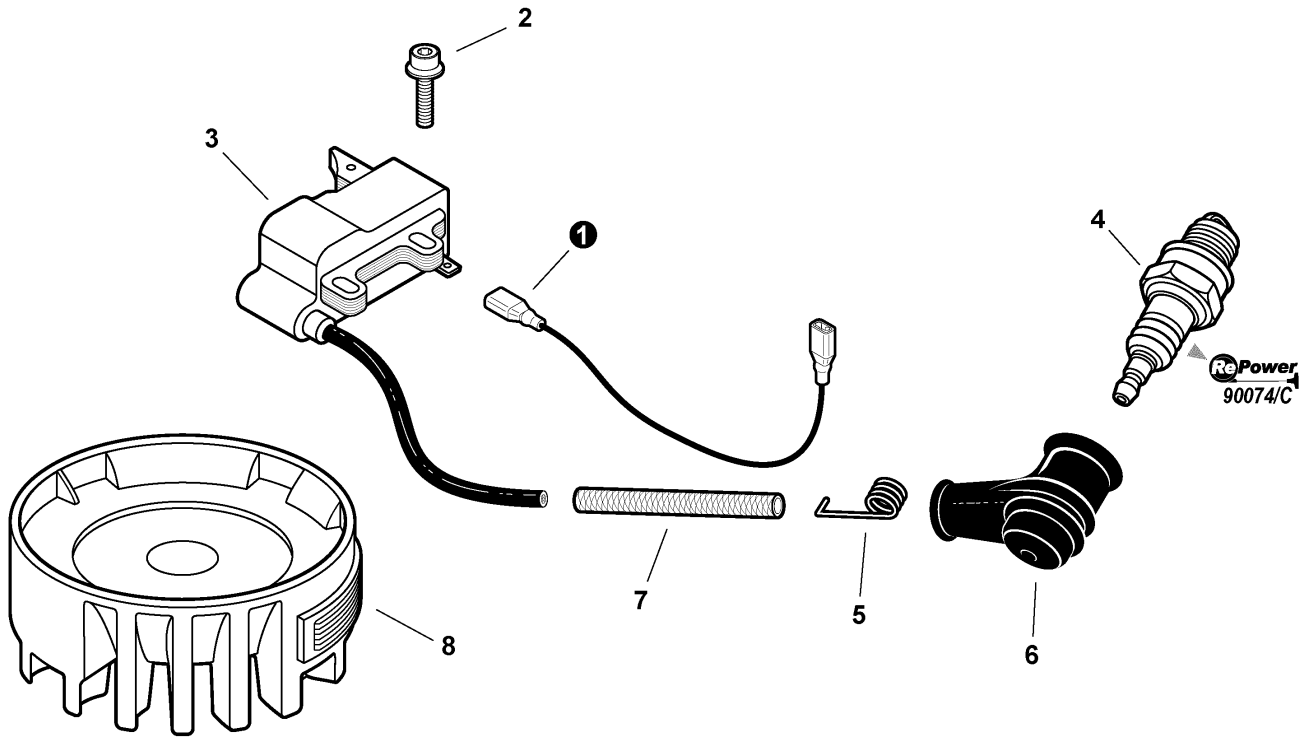
①	90016304016	4	SCREW - 4X16	TORNILLO - 4X16
2	V202000030	1	SCREW - 4	TORNILLO - 4
3	A051001110	1	STARTER ASSY	CONJUNTO DE ARRANCADOR
4	+ 17723661830	1	SCREW	TORNILLO
5	+ A507000030	1	CATCHER, PAWL	ATRAPADOR, TRINQUETE
6	+ V452000150	1	SPRING	RESORTE
7	+ 17724611120	1	RETAINER, ROPE	RETÉN, CUERDA
8	+ 17722827030	1	GRIP, STARTER	AGARRE, ARRANCADOR
9	+ 17722742030	1	GUIDE, ROPE	GUÍA, CUERDA
10	+ P022008260	1	ROPE, STARTER - 3X700	CUERDA, ARRANCADOR - 3X700
11	+ P022006830	1	REEL, ROPE	CARRETE, CUERDA
12	+ 17722042030	1	SPRING, REWIND	RESORTE, REBOBINADO
13	90051200008	1	NUT - LEFT HAND	TUERCA - ROSCA IZQUIERDA
14	A052000210	1	STARTER PAWL ASSY	CONJUNTO DE TRINQUETE DEL ARRANCADOR
15	+ P022020030	2	PAWL, STARTER	TRINQUETE, ARRANCADOR
16	+ P022007980	2	SPRING, RETURN	RESORTE, RETORNO
17	90060000008	1	WASHER - 8	ARANDELA - 8

Cortaseto

 Engine Cover, Debris Guard  
 Cubierta del Motor, Protector Contra Residuos


001 0019 VRT

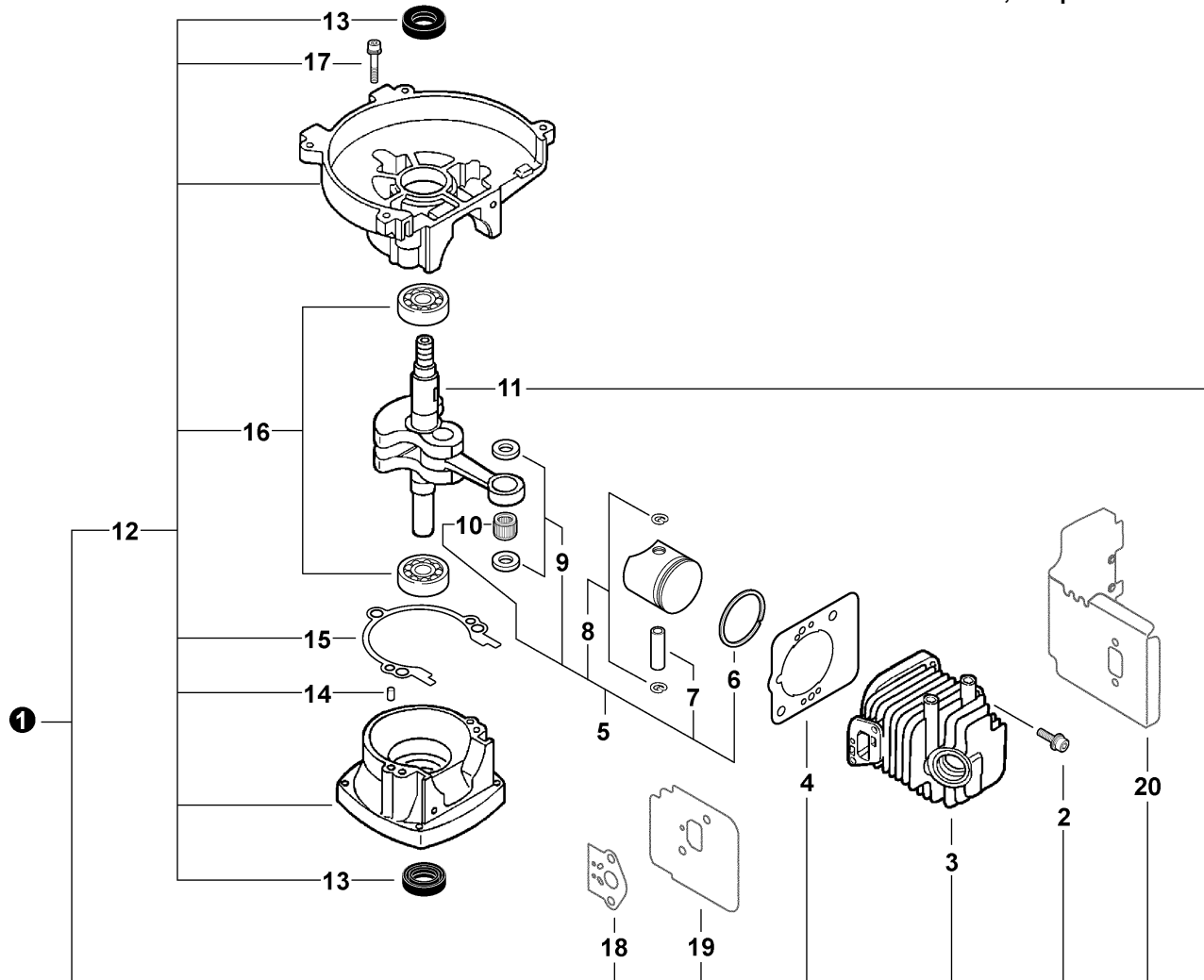
❶	9111005016	1	SCREW - 5X16	TORNILLO - 5X16
2	A160000880	1	COVER, ENGINE	CUBIERTA, MOTOR
3	90016205016	1	SCREW - 5X16	TORNILLO - 5X16
4	C152000410	1	TERMINAL - GROUND	TERMINAL - DE TIERRA
5	A127000170	1	GUARD, DEBRIS	PROTECTOR, RESIDUOS



007 0033 VRT

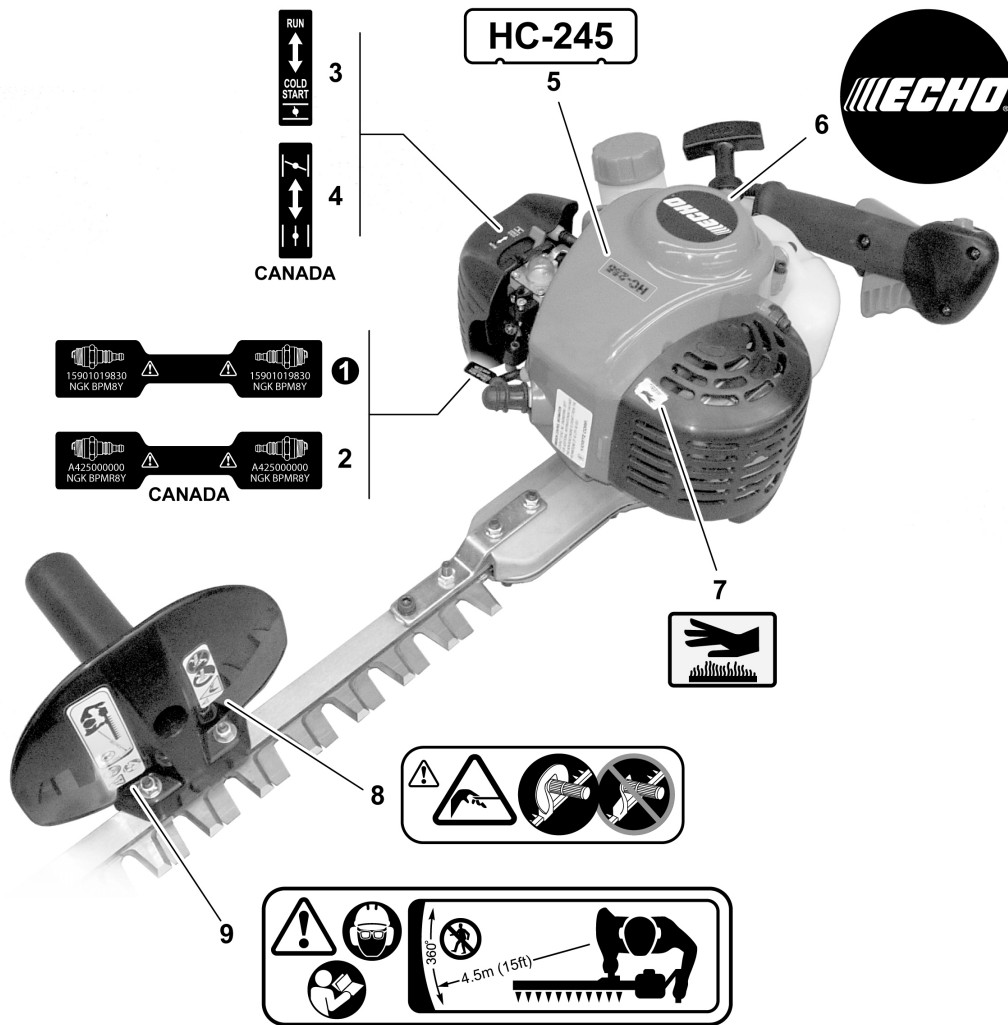
1	V485000870	1	LEAD - IGNITION	CABLE - IGNICIÓN
2	9111304020	2	SCREW - 4X20	TORNILLO - 4X20
3	A411000130	1	COIL, IGNITION	BOBINA, IGNICIÓN
4	15901019830	1	SPARK PLUG -- BPM-8Y	BUJÍA -- BPM-8Y
4	A425000000	1	SPARK PLUG -- BPMR-8Y	BUJÍA -- BPMR-8Y
5	A426000010	1	TERMINAL, SPARK PLUG CAP	TERMINAL, CAPUCHÓN DE BUJÍA
6	A427000013	1	CAP, SPARK PLUG	TAPA, BUJÍA
7	V475001610	1	TUBE, INSULATOR	TUBO, AISLANTE
8	A409000210	1	FLYWHEEL	VOLANTE
9	90074		RePower TUNE-UP KIT	KIT DE PUESTA A PUNTO
9	90074C		RePower TUNE-UP KIT	KIT DE PUESTA A PUNTO

**Cortaseto**

 Engine, Short Block -- SB1075  
 Motor, Bloque Corto -- SB1075


SB1075 0000 000

<b>1</b>	SB1075	1	SHORT BLOCK -- SB1075	BLOQUE CORTO -- SB1075
2	+ 90016205022	2	SCREW - 5X22	TORNILLO - 5X25
3	+ A130000550	1	CYLINDER	CILINDRO
4	+ V100000160	1	GASKET, CYLINDER	JUNTA, CILINDRO
5	+ P021007772	1	PISTON KIT	KIT DE PISTÓN
6	+ A101000090	1	RING, PISTON	ANILLO, PISTÓN
7	+ 10001311520	1	PIN, PISTON	PASADOR, PISTÓN
8	+ 10001504630	2	RING, RETAINING	ANILLO, RETÉN
9	+ 10001408960	2	WASHER	ARANDELA
10	+ 10011305930	1	BEARING, NEEDLE - 8	COJINETE, DE AGUJAS - 8
11	+ A011000223	1	CRANKSHAFT ASSY	CONJUNTO DE CIGÜEÑAL
12	+ 10020452132	1	CRANKCASE KIT	KIT DE CÁRTER
13	+ 10021242031	2	SEAL, OIL	SELLO, ACEITE
14	+ V622000020	2	PIN, LOCATING	PIN, LOCATING
15	+ 10024242030	1	GASKET, CRANKCASE	JUNTA, CÁRTER
16	+ 9403536201	2	BEARING, BALL - 6201	COJINETE DE BOLAS - 6201
17	+ 90016205028	3	SCREW - 5X28	TORNILLO - 5X28
18	+ -----	1	SHIELD, EXHAUST	PROTECTOR, ESCAPE
19	+ -----	1	SHIELD, INTAKE	PROTECTOR, ADMISIÓN
20	+ -----	1	GASKET, INTAKE	JUNTA, ADMISIÓN



100 0045 245

1	X532000671	1	LABEL - SPARK PLUG -- BPM-8Y	ETIQUETA - BUJÍA -- BPM-8Y
2	X532000720	1	LABEL - SPARK PLUG -- BPMR-8Y	ETIQUETA - BUJÍA -- BPMR-8Y
3	X506000110	1	LABEL - CHOKE	ETIQUETA - AHOGADOR
4	89033252730	1	LABEL - CHOKE	ETIQUETA - AHOGADOR
5	X503008630	1	LABEL - MODEL -- HC-245	ETIQUETA - MODELO -- HC-245
6	X502000330	1	LABEL - ECHO	ETIQUETA - ECHO
7	X505002310	1	LABEL - HOT SURFACE	ETIQUETA - SUPERFICIE CALIENTE
8	X505000280	1	LABEL - CAUTION	ETIQUETA - PRECAUCIÓN
9	X505000270	1	LABEL - CAUTION	ETIQUETA - PRECAUCIÓN

<b>1</b>	<b>90008</b>	<b>1</b>	<b>RePower FILTER KIT</b>	<b>KIT DE FILTRACIÓN</b>
2	+ -----	1	FILTER, AIR - DOUBLE LAYER	FILTRO DE AIRE - CAPA DOBLE
3	+ -----	1	FILTER, FUEL	FILTRO DE COMBUSTIBLE
4	<b>90010</b>	<b>1</b>	<b>Repower CAP AND VENT KIT</b>	<b>KIT DE TAPA Y RESPIRADERO</b>
5	+ -----	1	CAP	TAPA
6	+ -----	1	GASKET, CAP	JUNTA, TAPA
7	+ -----	1	VENT, FUEL TANK	RESPIRADERO, TANQUE DE COMBUSTIBLE
8	<b>90074</b>	<b>1</b>	<b>RePower TUNE-UP KIT</b>	<b>KIT DE PUESTA A PUNTO</b>
9	+ -----	1	FILTER, AIR - DOUBLE LAYER	FILTRO DE AIRE - CAPA DOBLE
10	+ -----	1	FILTER, FUEL	FILTRO DE COMBUSTIBLE
11	+ -----	1	SPARK PLUG -- BPM-8Y	BUJÍA -- BPM-8Y
12	+ <b>90074C</b>	<b>1</b>	<b>RePower TUNE-UP KIT</b>	<b>KIT DE PUESTA A PUNTO</b>
13	+ -----	1	FILTER, AIR - DOUBLE LAYER	FILTRO DE AIRE - CAPA DOBLE
14	+ -----	1	FILTER, FUEL	FILTRO DE COMBUSTIBLE
15	+ -----	1	SPARK PLUG -- BPMR-8Y	BUJÍA -- BPMR-8Y
16	<b>90136BP</b>	<b>1</b>	<b>RePower FUEL SYSTEM KIT</b>	<b>KIT DEL SISTEMA DE CARBURANTE</b>
17	+ -----	1	CLIP - 6	GANCHO - 6
18	+ -----	2	CLIP - 6.5	GANCHO - 6.5
19	+ -----	1	CLIP - 6.6	GANCHO - 6.6
20	+ -----	1	CONNECTOR, FUEL PIPE	CONECTOR, TUBO DE COMBUSTIBLE
21	+ -----	1	FILTER, FUEL	FILTRO DE COMBUSTIBLE
22	+ -----	1	GASKET, CAP	JUNTA, TAPA
23	+ -----	1	GROMMET	ANILLO DE GOMA
24	+ -----	1	PIPE - 3X5X61 -- BLACK	TUBO - 3X5X61 -- NEGRO
25	+ -----	1	PIPE - 3X6X35 -- BLACK	TUBO - 3X6X35 -- NEGRO
26	+ -----	1	PIPE - 3X6X50 -- BLACK	TUBO - 3X6X50 -- NEGRO
27	+ -----	1	PIPE - 3X6X75 -- CLEAR	TUBO - 3X6X75 -- TRANSPARENTE
28	+ -----	1	PIPE, FUEL - CORRUGATED	TUBO, COMBUSTIBLE - CORRUGADO
29	+ -----	1	VENT, FUEL TANK	RESPIRADERO, TANQUE DE COMBUSTIBLE
30	<b>P021013500</b>	<b>1</b>	<b>GASKET KIT</b>	<b>KIT DE JUNTAS</b>
31	+ -----	1	GASKET, CYLINDER	JUNTA, CILINDRO
32	+ -----	1	GASKET, INTAKE	JUNTA, ADMISIÓN
33	+ -----	1	SHIELD, INTAKE	PROTECTOR, ADMISIÓN
34	+ -----	1	GASKET, EXHAUST	JUNTA, ESCAPE
35	+ -----	1	SHIELD, EXHAUST	PROTECTOR, ESCAPE

**PART NUMBER INDEX - ÍNDICE DEL NÚMERO DE PARTE**

*Click The Page Number After Any Part Number To View The Diagram Containing That Part*  
*Chasque la página después de cualquier número de parte para ver el diagrama que contiene esa parte*

Part Number	Page	Part Number	Page	Part Number	Page	Part Number	Page
-----	8, 10, 12, 14, 22, 25	90016205022	22	C482000060	3	X502000330	23
10001311520	22	90016205025	8	C531000270	6	X503008630	23
10001408960	22	90016205028	22	C531000280	6	X505000270	23
10001504630	22	90016205035	3, 4	C538000090	6	X505000280	23
10011305930	22	90016205045	3, 4	C542000020	6	X505002310	23
10020452132	22	90016206018	6	P005000100	10, 12, 14	X506000110	23
10021242031	22	90016304016	6, 7, 19	P005000190	10, 12, 14	X532000671	23
10024242030	22	90022003010	3, 4	P005000250	10, 12, 14	X532000720	23
12533942030	10, 12, 14	90022005030	3, 4	P005000270	10, 12, 14		
12534252130	10, 12, 14	90024204010	16	P005000280	10, 12, 14		
12534413931	10, 12, 14	90024205065	8	P005001000	10, 12, 14		
12534452130	10, 12, 14	90024603025	3, 4	P005001260	10		
12538108660	10, 12, 14	90025305014	6	P005001270	10, 12, 14		
12901152730	8	90050000005	3, 4	P005001320	10		
13011054430	17	90050200006	4	P005001890	10, 12, 14		
13031054130	8	90051200008	19	P005001900	10, 12, 14		
13101655830	17	90051800006	4, 6	P005002050	12, 14		
13120507320	17, 18	90060000005	16	P005002060	12, 14		
13201040830	17, 18	90060000008	19	P005002090	10, 12, 14		
13201212361	17, 18	90060300005	17, 18	P005001670	10, 12, 14		
13201309820	17	90060300006	6	P021007772	22		
13211555930	17, 18	90063000006	6	P021008400	6		
14580642030	16	90074	8, 17, 18, 21, 25	P021012210	17		
14586240630	15, 16	90074C	8, 17, 18, 21, 25	P021012870	8		
14586642031	16	90080400608	6	P021013500	25		
15901019830	21	90081006200	6	P021040430	18		
16341049231	3, 4	90081206200	6	P022006830	19		
17501744331	7	90136BP	18, 25	P022007980	19		
17722042030	19	9110306030	6	P022008260	19		
17722742030	19	9111005016	15, 16, 20	P022020030	19		
17722827030	19	9111304020	21	SB1075	22		
17723661830	19	9136704012	15	V043000121	3		
17724611120	19	9200307000	3	V043000230	4		
17801005960	3, 4	9403536201	22	V060000030	6		
17801205960	3, 4	A011000223	22	V100000160	22		
17801335631	3, 4	A021001520	10	V103000180	8		
17812143230	3, 4	A021001610	12	V103000410	8		
30021700610	3, 4	A021001611	14	V104000850	15, 16		
35101207361	6	A051001110	19	V104001760	15		
35102702060	6	A052000210	19	V107000150	18		
35110247530	3, 4	A056000190	7	V110000030	6		
35120007363	6	A101000090	22	V150000371	15		
35121707361	6	A127000170	20	V150001240	6		
35121707761	3, 4	A130000550	22	V186000020	17		
35122807760	3, 4	A160000880	20	V186000510	18		
35124101260	3, 4	A200000300	8	V186000520	18		
35124206961	3, 4	A226001410	8	V202000030	19		
35124301260	3, 4	A232000400	8	V299000250	8		
43302206460	6	A300000810	15	V307000050	6		
43741119830	17, 18	A313000580	16	V347000000	15		
61032701261	6	A313000600	15	V353000231	17, 18		
61035012360	7	A320000430	15, 16	V452000150	19		
69911502062	6	A350000810	17, 18	V471001180	18		
69911505360	6	A356000031	17, 18	V471001880	17		
69911801261	6	A365000060	17, 18	V471003670	18		
69921302063	6	A409000210	21	V471003680	18		
69921308960	6	A411000130	21	V475001610	21		
88011010860	6	A425000000	21	V485000870	21		
89015712330	3, 4	A426000010	21	V490001100	4		
89033252730	23	A427000013	21	V490001230	17		
89852308960	6	A507000030	19	V490001240	18		
90008	8, 17, 18, 25	A552000080	7	V491001230	18		
90010	17, 25	A5560000500	6	V541000100	6		
90010306012	6	A5660000000	7	V622000020	22		
90010505055	15, 16	A570000140	7	V650000160	6		
90016205016	20	C152000410	20	X411000450	6		
90016205020	17, 18	C410000170	3, 4	X411000460	6		
		C482000050	3	X425000280	6		