

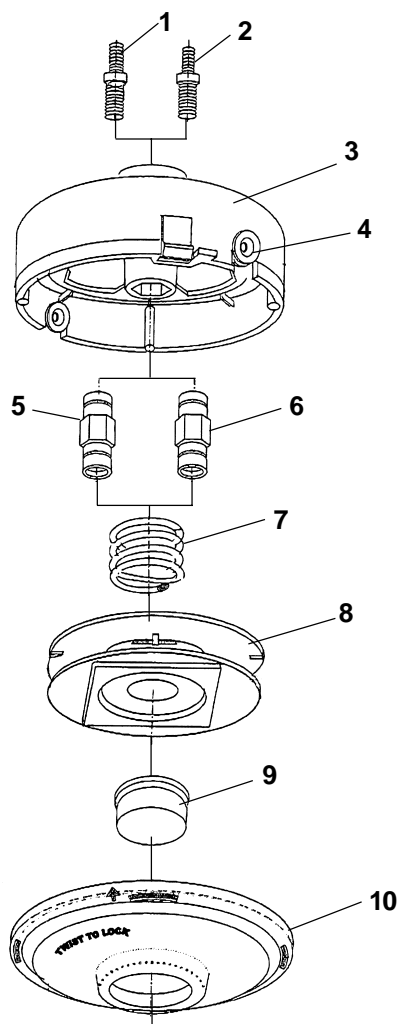


SEMI-AUTO HEAD ASSEMBLY

PART NUMBER: 21560055

Thread Size: M10 x 1.25 L.H.

Line Diameter: .095



KEY	PART NUMBER	QTY	DESCRIPTION	MODELS USED ON
1	215615	1	STUD, SHAFT BOLT 8X10	SRM 140D/DA, 200AE/BE/CE/DA/DB/DE, 202DA/FA, 210AE/E, 250E, 300AE/AE1/E, 302, 303E, 400AE/B/E, 1500/1501, 2100/SB/2110, 2101, 2200/2201, 2300/2301, 2400/SB/2410, 2500/2501/S/2510, 2502, 2601/2610, 3000/3001/3010, 3100/S/3110, 3400/3410, 3800, 4600
2	215616	1	STUD, SHAFT BOLT 7X10	
3	215617	1	HOUSING	
4	215703	2	EYELETS	
5	215619	1	SHAFT, BOLT 10X1.25 FLH X 8X1.25 FLH	
6	215620	1	SHAFT, BOLT 10X1.0 FLH X 3/8X24 FLH	
7	215405	1	SPRING	
8	215622	1	SPOOL W/O LINE	
9	215407	1	BUTTON	
10	215624	1	COVER	