



Accessories for ECHO products can be found at:

Los accesorios para los productos ECHO se pueden encontrar en:

www.echo-usa.com/products/catalogs

OPTIONAL ACCESSORIES:

| | |
|------------------------------|-------------|
| SRM Harness Kit | 99944200200 |
| Heavy-Duty Harness | 99944200202 |
| U-Handle Kit | 99944200435 |
| Barrier Bar | 99944200455 |
| Tiller/Cultivator Attachment | SRAC-200 |

CUTTING HEADS:

| | |
|----------------------------|-------------|
| ECHOMATIC Pro Head | 21560031 |
| ECHOMATIC Head | 21560070 |
| 2-Line Rapid Loader Head | 21560056 |
| ECHOMATIC Head | 21560070 |
| Heavy Duty Fixed Line Head | 99944200220 |
| Speed-Feed 400 Head | 99944200907 |

ACCESORIOS OPCIONALES

| | |
|----------------------------|-------------|
| Kit de Arnés (SRM) | 99944200200 |
| Arnés de Servicio Desado | 99944200202 |
| Kit de Mango en U | 99944200435 |
| Kit de barra de protección | 99944200455 |
| Accesorios de cultivador | SRAC-200 |

CABEZALES DE CORTE

| | |
|--|-------------|
| ECHOMATIC Pro (SRM) | 21560031 |
| ECHOMATIC | 21560070 |
| Rapid Loader de 2 Cordones | 21560056 |
| ECHOMATIC (SRM) | 21560070 |
| Cabeça de Linha Fixa para Serviço Pesado | 99944200220 |
| SPEED-FEED 400 | 99944200907 |

PARTS CATALOG
LISTA DE PIEZAS

SRM-225i
Trimmer

SRM-225i Podadora



21.2 cc

SERIAL NUMBER
NÚMERO DE SERIE

T49314001001 - T49314999999

ECHO, INCORPORATED

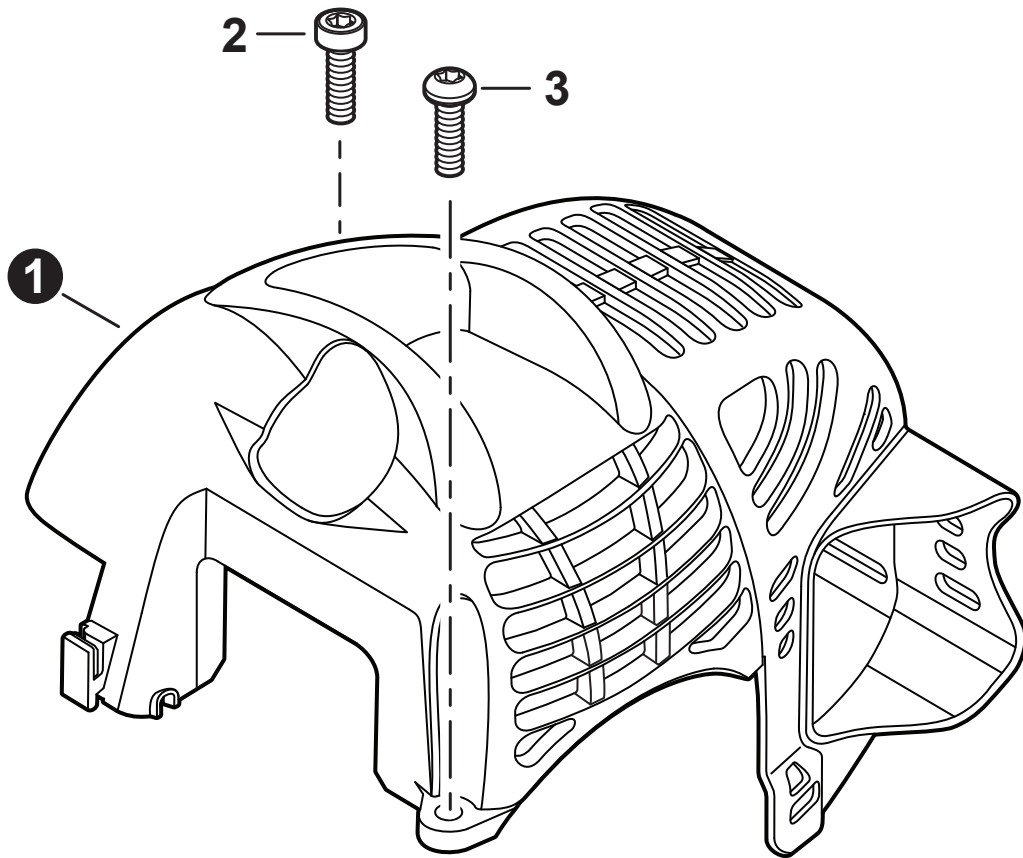
400 Oakwood Road, Lake Zurich, Illinois 60047

WWW.ECHO-USA.COM

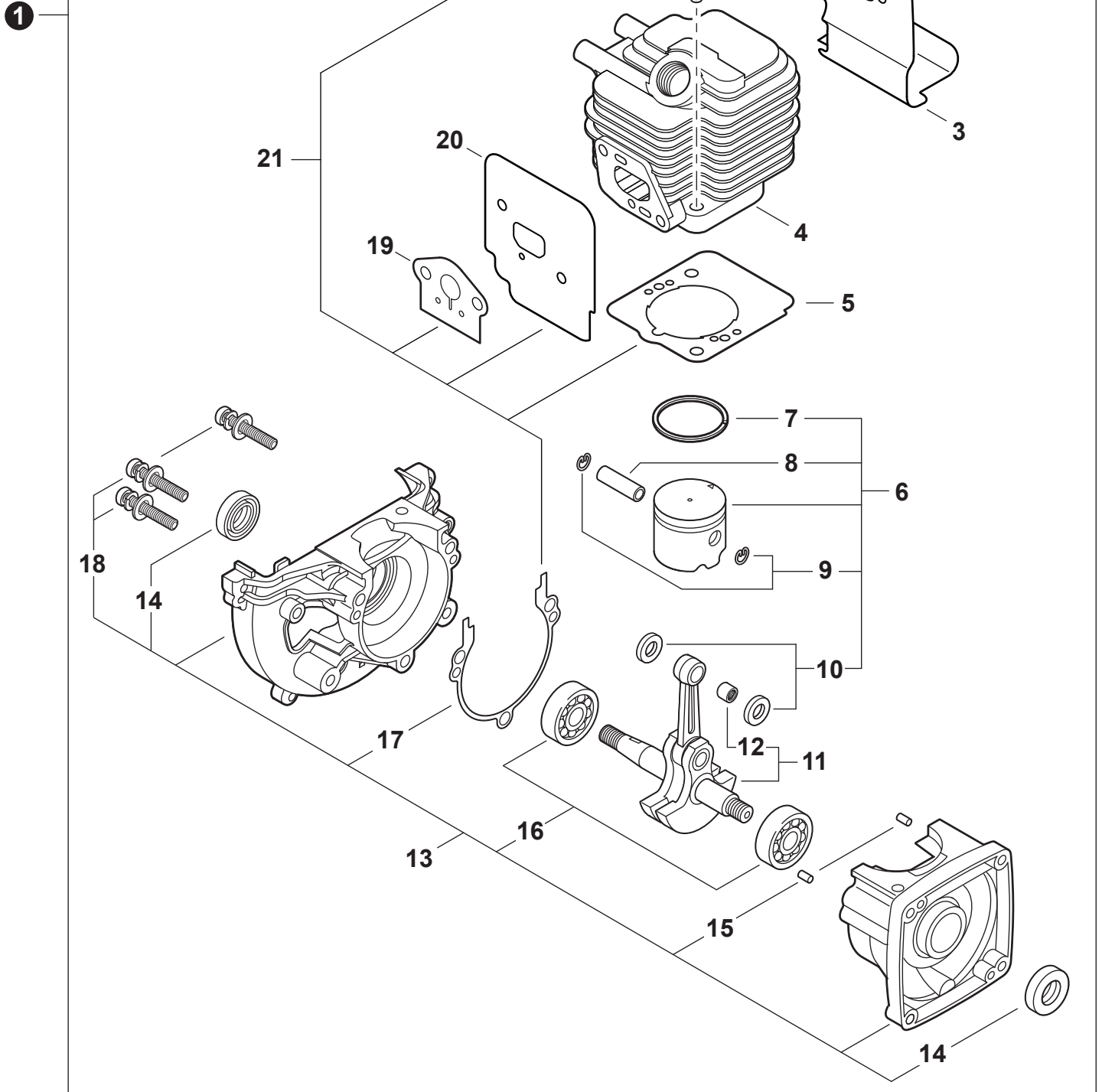
©2015 ECHO, Incorporated. All Rights Reserved

P/N 99922204243
REVISED 11/04/15

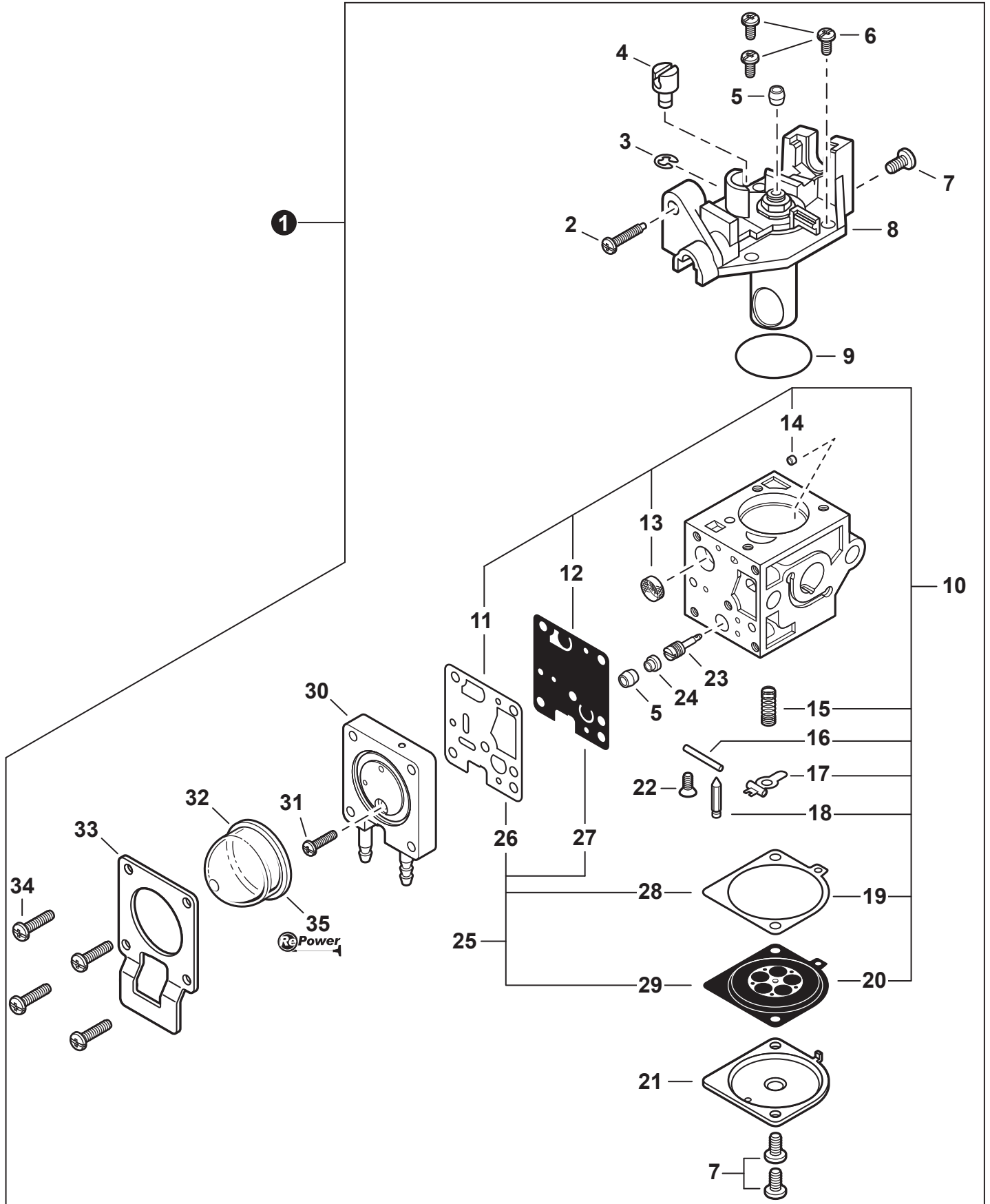
| | |
|--|-----------|
| Engine Covers | 3 |
| Cubiertas del Motor | |
| Engine | 4 |
| Motor | |
| Engine | 5 |
| Motor | |
| Carburetor | 6 |
| Carburador | |
| Carburetor | 7 |
| Carburador | |
| Intake | 8 |
| Admisión | |
| Exhaust | 9 |
| Escape | |
| Ignition | 10 |
| Encendido | |
| Starter | 11 |
| Arrancador | |
| Fuel System | 12 |
| Sistema de combustible | |
| Fan Cover | 13 |
| Cubierta del ventilador | |
| Main Pipe | 14 |
| Tubo Principle | |
| Control Handle | 15 |
| Mango de Control | |
| Support Handle | 16 |
| Mango de soporte | |
| Tools | 16 |
| Herramientas | |
| Gear Case | 17 |
| Caja de Engranajes | |
| Debris Shield | 18 |
| Protector Contra Residuos | |
| Labels | 19 |
| Etiquetas | |
| SPEED-FEED 400 Trimmer Head | 20 |
| Cabezal SPEED-FEED 400 | |
| RePower Maintenance Kits | 21 |
| Equipo de Mantenimiento RePower | |



| NO. | PART NUMBER | QTY. | DESCRIPTION | DESCRIPCIÓN |
|-----|-------------|------|-----------------|--------------------|
| 1 | A160001090 | 1 | COVER, ENGINE | CUBIERTA DEL MOTOR |
| 2 | V805000150 | 1 | BOLT, TORX 5×16 | PERNO TORX 5×16 |
| 3 | V805000000 | 1 | BOLT, TORX 5×16 | PERNO TORX 5×16 |

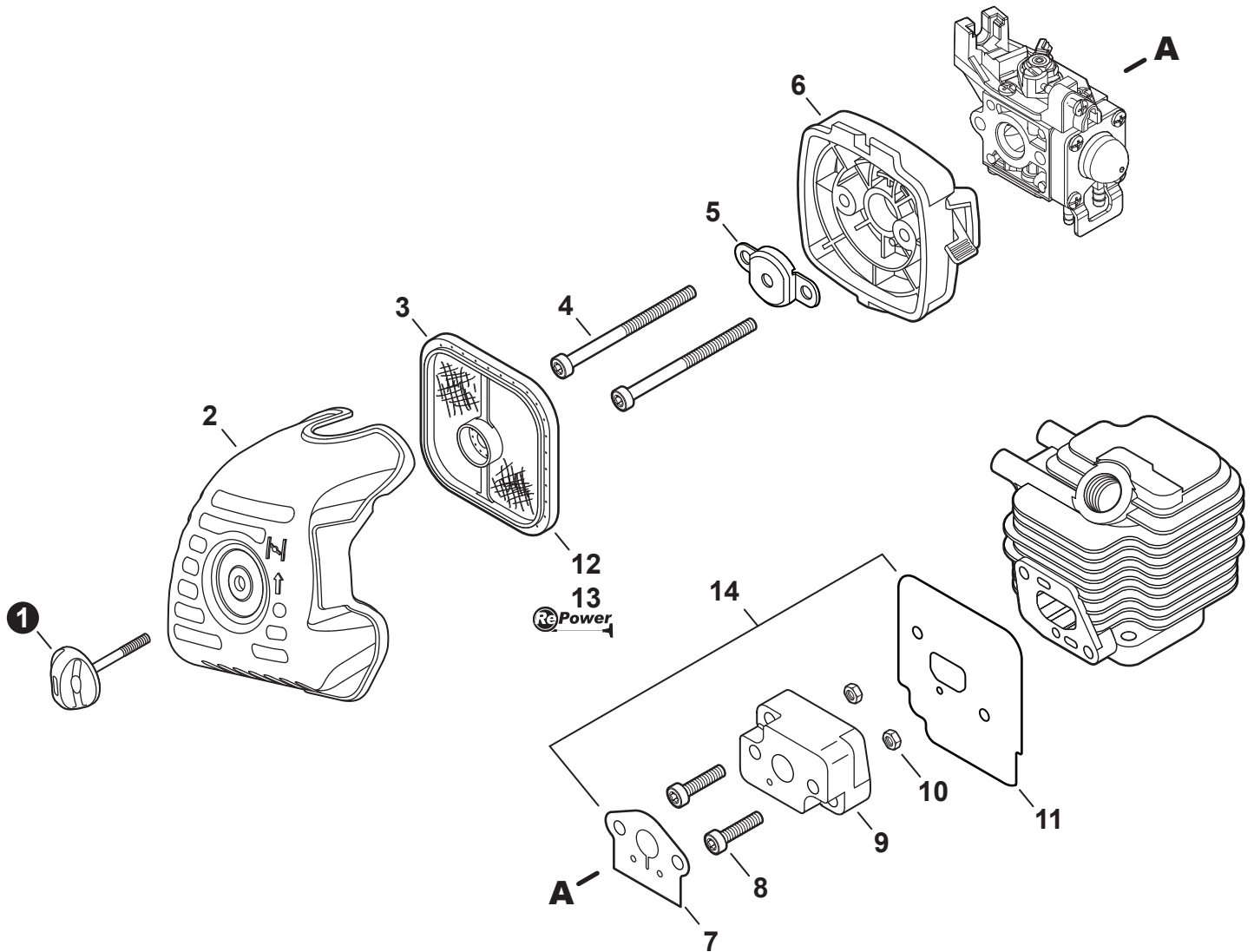


| NO. | PART NUMBER | QTY. | DESCRIPTION | DESCRIPCIÓN |
|-----|--------------------|------|-----------------------------|----------------------------------|
| 1 | SB1096 | 1 | SHORT BLOCK | BLOQUE CORTO |
| 2 | 90016205022 | 2 | +BOLT 5×22 | +PERNO 5×22 |
| 3 | V104000850 | 1 | +GASKET, EXHAUST | +EMPAQUETADURA DE ESCAPE |
| 4 | A130000540 | 1 | +CYLINDER | +CILINDRO |
| 5 | V100000160 | 1 | +GASKET, CYLINDER | +EMPAQUETADURA DE CILINDRO |
| 6 | P021007712 | 1 | +PISTON KIT | +JUEGO DE PISTÓN |
| 7 | A101000090 | 1 | ++RING, PISTON | ++ANILLO DEL PISTÓN |
| 8 | 10001311520 | 1 | ++PIN, PISTON 5×8×25.5 | ++PASADOR DEL PISTÓN 5×8×25.5 |
| 9 | 10001504630 | 2 | ++RING, SNAP | ++ANILLO RETENEDOR |
| 10 | 10001411520 | 2 | ++WASHER, THRUST 8.2×13×0.5 | ++ARANDELA DE EMPUJE 8.2×13×0.5 |
| 11 | A011001410 | 1 | +CRANKSHAFT ASSY | +MONTAJE DE CIGÜEÑAL |
| 12 | V553000060 | 1 | ++BEARING, NEEDLE 8 | ++COJINETE DE AGUJAS 8 |
| 13 | 10020452133 | 1 | +CRANKCASE KIT | +JUEGO DE CÁRTER |
| 14 | 10021242031 | 2 | ++SEAL, OIL 12 | ++SELLO DE ACEITE 12 |
| 15 | 90033040080 | 2 | ++PIN, LOCATING 4×8 | ++PASADOR DE POSICIONAMIENTO 4×8 |
| 16 | 9403536201 | 2 | ++BEARING, BALL 6201 | ++COJINETE DE BALINES 6201 |
| 17 | 10024242030 | 1 | ++GASKET, CRANKCASE | ++EMPAQUETADURA DE CÁRTER |
| 18 | 90016205028 | 3 | ++BOLT 5×28 | ++PERNO 5×28 |
| 19 | V103001500 | 1 | +GASKET, INTAKE | +EMPAQUETADURA DE ADMISIÓN |
| 20 | V103001360 | 1 | +GASKET, INTAKE | +EMPAQUETADURA DE ADMISIÓN |
| 21 | P021015981 | 1 | GASKET KIT | JUEGO DE EMPAQUETADURA |

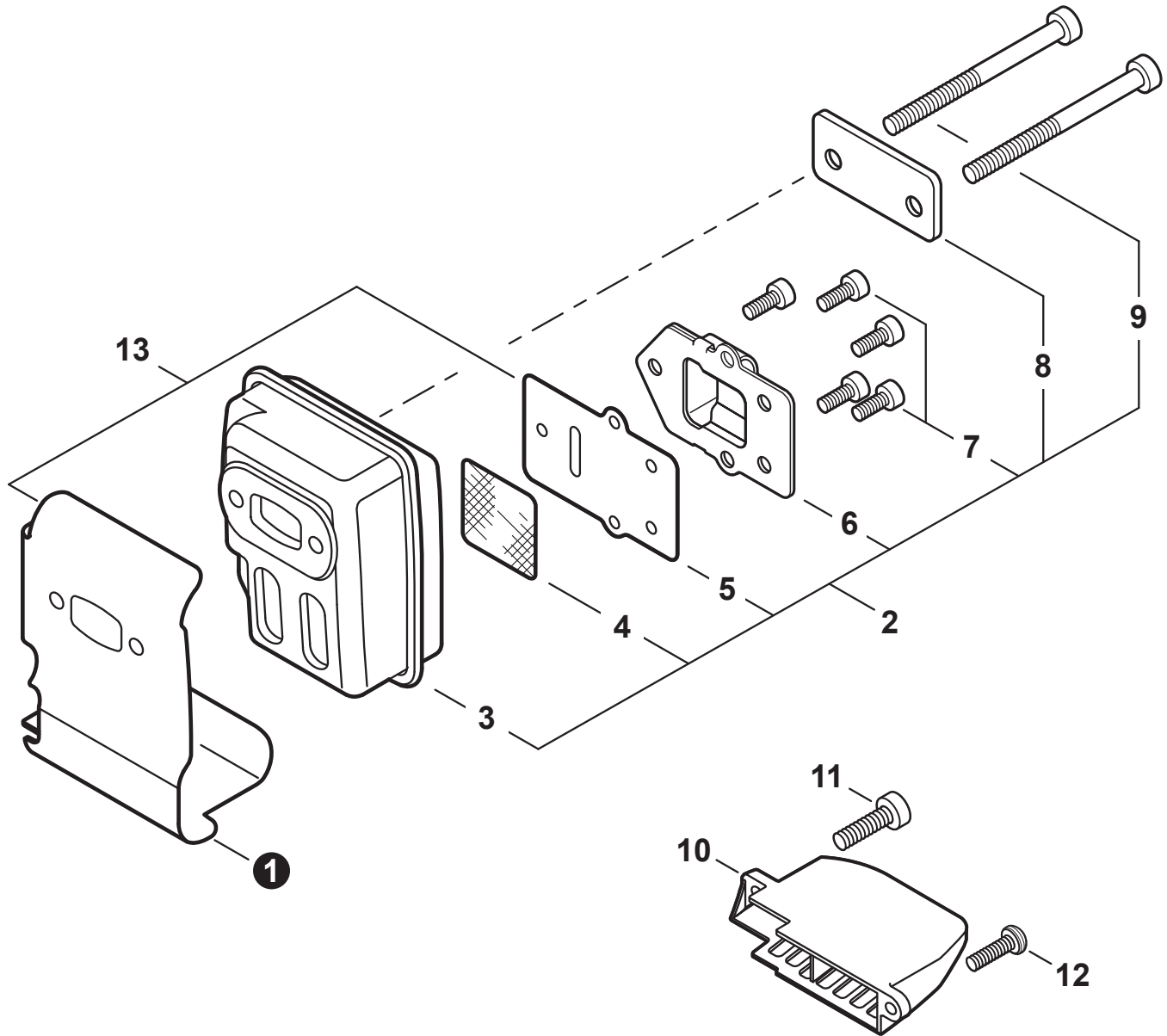




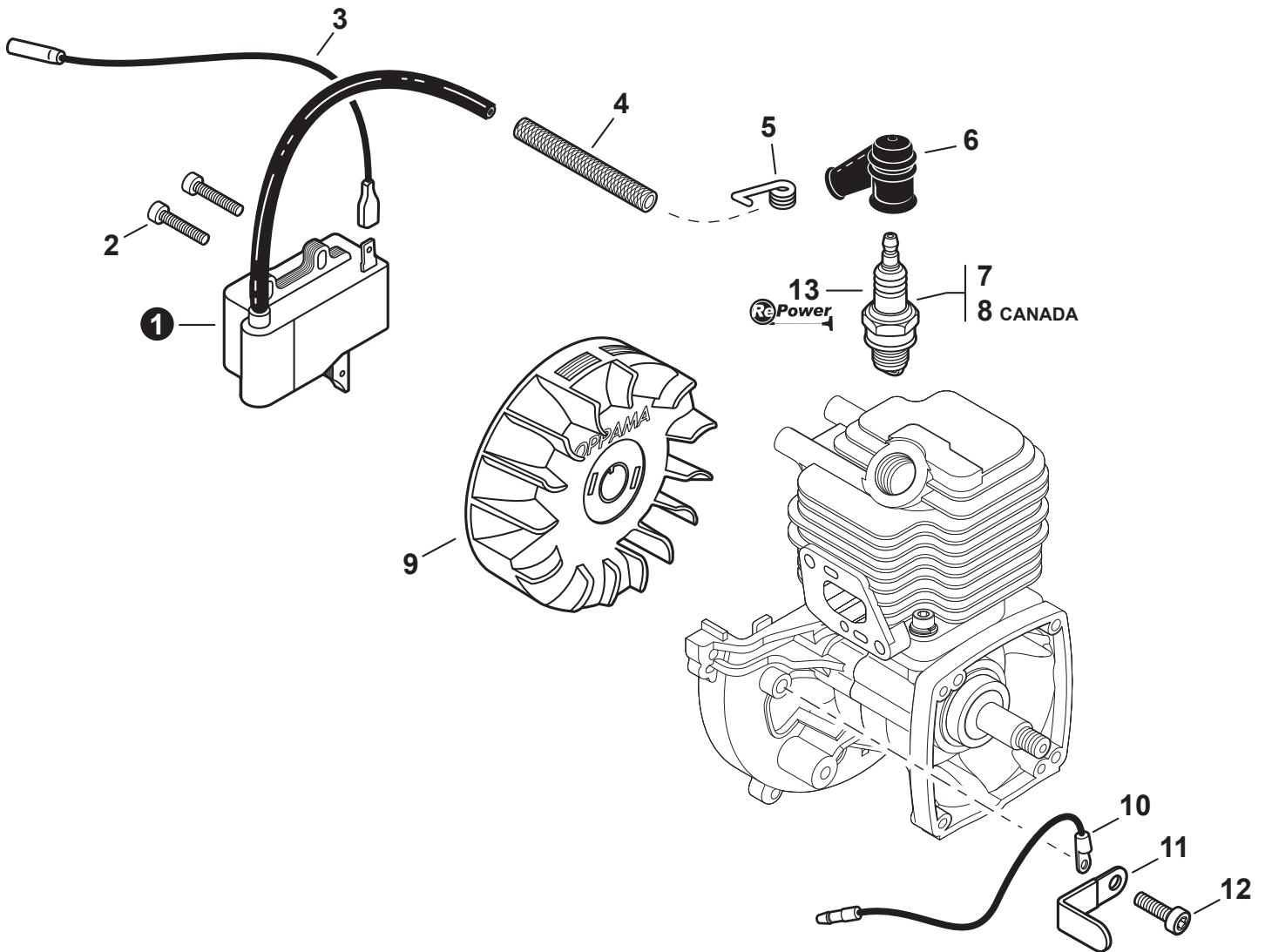
| NO. | PART NUMBER | QTY. | DESCRIPTION | DESCRIPCIÓN |
|-----|-------------------|------|----------------------------------|---|
| 1 | A021001692 | 1 | CARBURETOR - RB-K93 | CARBURADOR - RB-K93 |
| 2 | P005000100 | 1 | +SCREW, THROTTLE ADJUST | +TORNILLO AJUSTE DE TENSION DEL ACELERADOR |
| 3 | P005000190 | 1 | +E-RING | +RETENEDOR TIPO "E" |
| 4 | P005002090 | 1 | +SWIVEL | +CONECTOR GIRATORIO |
| 5 | P005001270 | 2 | +CAP, LIMITER | +PROTECTOR DE TORNILLO |
| 6 | 12534413931 | 3 | +SCREW | +TORNILLO |
| 7 | 12534452130 | 3 | +SCREW | +TORNILLO |
| 8 | P005002050 | 1 | +COVER ASSY, ROTOR | +MONTAJE DE CUBIERTA DE ROTOR |
| 9 | P005000280 | 1 | +O-RING | +JUNTA TÓRICA |
| 10 | P005002280 | 1 | +REPAIR KIT | +JUEGO DE REPARACIÓN |
| 11 | | 1 | ++GASKET, PUMP | ++EMPAQUETADURA DE LA BOMBA |
| 12 | | 1 | ++DIAPHRAGM, PUMP | ++DIAFRAGMA DE LA BOMBA |
| 13 | | 1 | ++SCREEN, FUEL INLET | ++MALLA FILTRADORA |
| 14 | | 1 | ++GUIDE, ROLLER | ++GUÍA DE RODILLO |
| 15 | | 1 | ++SPRING, METERING LEVER | ++RESORTE PALANCA DE MEDICIÓN |
| 16 | | 1 | ++PIN, METERING LEVER | ++PASADOR DE PALANCA DE MEDICIÓN |
| 17 | | 1 | ++LEVER, METERING | ++PALANCA DE MEDICIÓN |
| 18 | | 1 | ++VALVE, INLET NEEDLE | ++VÁLVULA REGULADORA |
| 19 | | 1 | ++GASKET, METERING DIAPHRAGM | ++EMPAQUETADURA DIAFRAGMA DE MEDICIÓN |
| 20 | | 1 | ++DIAPHRAGM, METERING | ++DIAFRAGMA DE MEDICIÓN |
| 21 | 12534252130 | 1 | +COVER, METERING DIAPHRAGM | +TAPA DE DIAFRAGMA DE MEDICIÓN |
| 22 | 12533942030 | 1 | +SCREW | +TORNILLO |
| 23 | P005001260 | 1 | +NEEDLE, HIGH SPEED | +AGUJA DE REGULACION ALTA (H) |
| 24 | P005001250 | 1 | +PLUG | +TAPÓN |
| 25 | P005002270 | 1 | +GASKET / DIAPHRAGM KIT | +JUEGO DE EMPAQUETADURA / DIAFRAGMAS |
| 26 | | 1 | ++GASKET, PUMP | ++EMPAQUETADURA DE LA BOMBA |
| 27 | | 1 | ++DIAPHRAGM, PUMP | ++DIAFRAGMA DE LA BOMBA |
| 28 | | 1 | ++GASKET, METERING DIAPHRAGM | ++EMPAQUETADURA DIAFRAGMA DE MEDICIÓN |
| 29 | | 1 | ++DIAPHRAGM, METERING | ++DIAFRAGMA DE MEDICIÓN |
| 30 | P005002480 | 1 | +BODY ASSY, PURGE | +MONTAJE DE CUERPO DE PURGA |
| 31 | P005000270 | 1 | +SCREW | +TORNILLO |
| 32 | P005003110 | 1 | +BULB, PURGE | +BULBO DE PURGA |
| 33 | P005000250 | 1 | +RETAINER, PURGE BULB | +SUJETADOR DE BULBO DE PURGA |
| 34 | P005001900 | 4 | +SCREW | +TORNILLO |
| 35 | 90127 | 1 | FUEL SYSTEM KIT - REPOWER | KIT DEL SISTEMA DE COMBUSTIBLE - REPOWER |



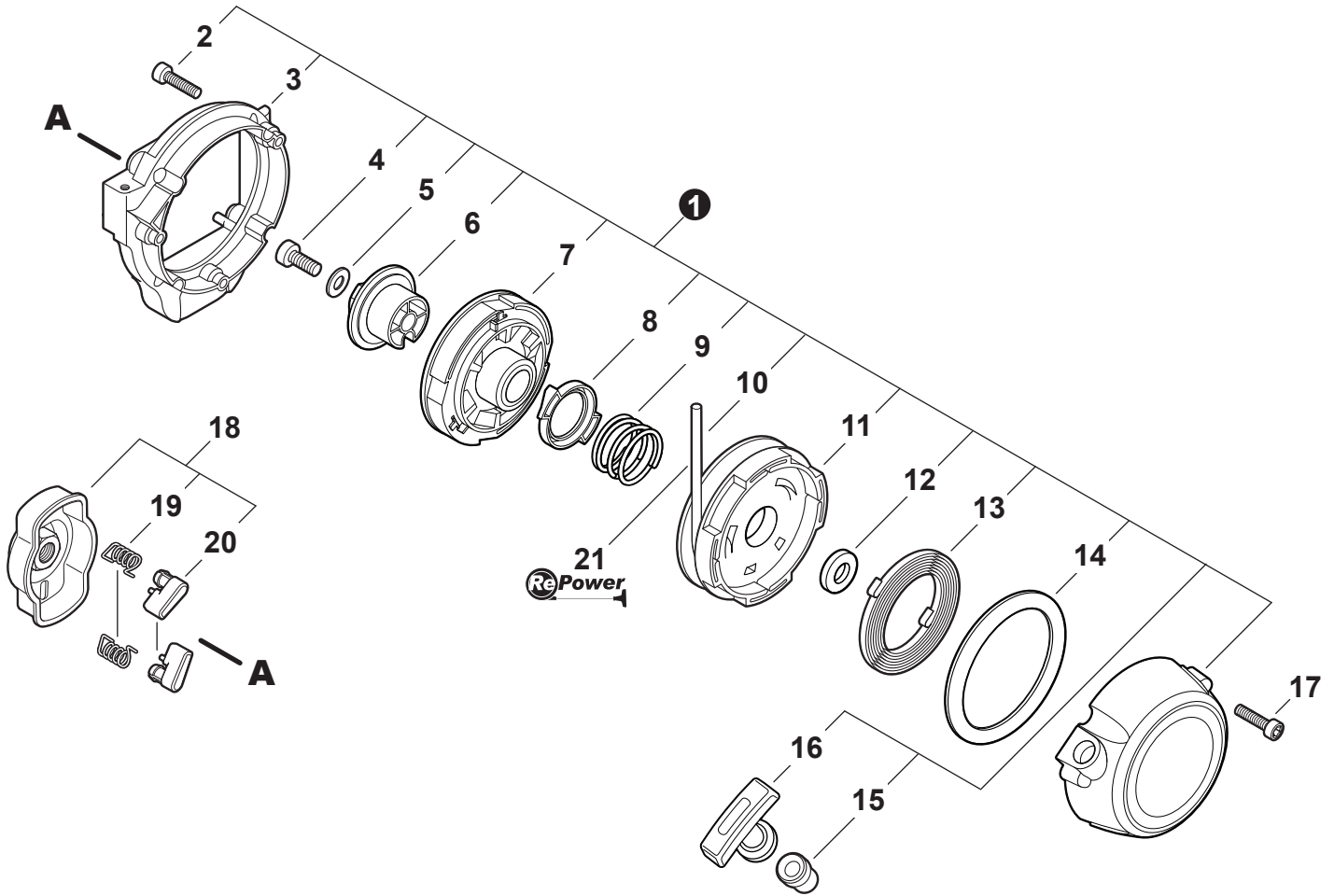
| NO. | PART NUMBER | QTY. | DESCRIPTION | DESCRIPCIÓN |
|-----|-------------|------|----------------------------|------------------------------------|
| 1 | V299000250 | 1 | THUMBSCREW | TORNILLO DE OREJETAS |
| 2 | A232001850 | 1 | COVER, AIR FILTER | CUBIERTA DEL FILTRO DE AIRE |
| 3 | A226001410 | 1 | FILTER, AIR - DOUBLE LAYER | FILTRO DE AIRE - CAPA DOBLE |
| 4 | V805000100 | 2 | BOLT, TORX 5×65 | PERNO TORX 5×65 |
| 5 | 12901152730 | 1 | PLATE, PREVENT | PLACA DE PREVENCIÓN |
| 6 | P021050030 | 1 | CASE ASSY, AIR FILTER | MONTAJE DE CAJA DEL FILTRO DE AIRE |
| 7 | V103001500 | 1 | GASKET, INTAKE | EMPAQUETADURA DE ADMISIÓN |
| 8 | V805000160 | 2 | BOLT, TORX 5×20 | PERNO TORX 5×20 |
| 9 | 13001744331 | 1 | INSULATOR, INTAKE | AISLADOR DE ADMISIÓN |
| 10 | 90050000005 | 2 | NUT 5 | TUERCA 5 |
| 11 | V103001360 | 1 | GASKET, INTAKE | EMPAQUETADURA DE ADMISIÓN |
| 12 | 90152 | 1 | TUNE-UP KIT - REPOWER | JUEGO DE PUESTA A PUNTO - REPOWER |
| 13 | 90008 | 1 | FILTER KIT - REPOWER | JUEGO DE FILTRO - REPOWER |
| 14 | P021015981 | 1 | GASKET KIT | JUEGO DE EMPAQUETADURA |



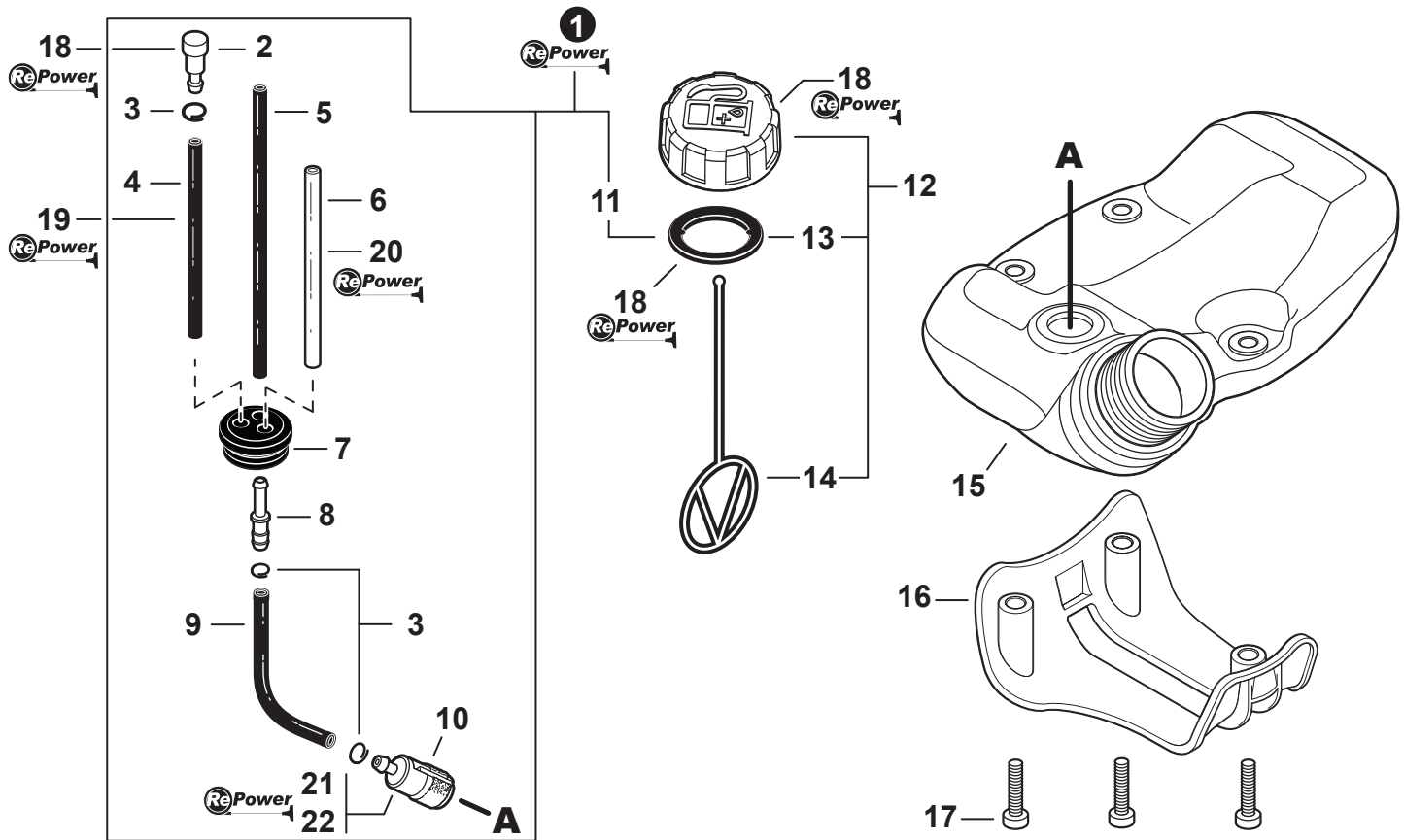
| NO. | PART NUMBER | QTY. | DESCRIPTION | DESCRIPCIÓN |
|-----|-------------|------|-------------------------|-----------------------------|
| 1 | V104000850 | 1 | GASKET, EXHAUST | EMPAQUETADURA DE ESCAPE |
| 2 | P021036111 | 1 | MUFFLER ASSY | MONTAJE DE SILENCIADOR |
| 3 | A300000811 | 1 | +MUFFLER | +SILENCIADOR |
| 4 | 14586240630 | 1 | +SCREEN, SPARK ARRESTER | +PANTALLA DEL GUARDACHISPAS |
| 5 | V104001760 | 1 | +GASKET, EXHAUST | +EMPAQUETADURA DE ESCAPE |
| 6 | A313000600 | 1 | +GUIDE, EXHAUST | +GUÍA DE ESCAPE |
| 7 | V804000030 | 5 | +BOLT, TORX 4×8 | +PERNO TORX 4×8 |
| 8 | V150000371 | 1 | +PLATE, EYE | +PLACA |
| 9 | V805000190 | 2 | +BOLT, TORX 5×55 | +PERNO TORX 5×55 |
| 10 | A320000480 | 1 | COVER, MUFFLER | CUBIERTA DEL SILENCIADOR |
| 11 | V805000150 | 1 | BOLT, TORX 5×16 | PERNO TORX 5×16 |
| 12 | V805000000 | 1 | BOLT, TORX 5×16 | PERNO TORX 5×16 |
| 13 | P021015981 | 1 | GASKET KIT | JUEGO DE EMPAQUETADURA |



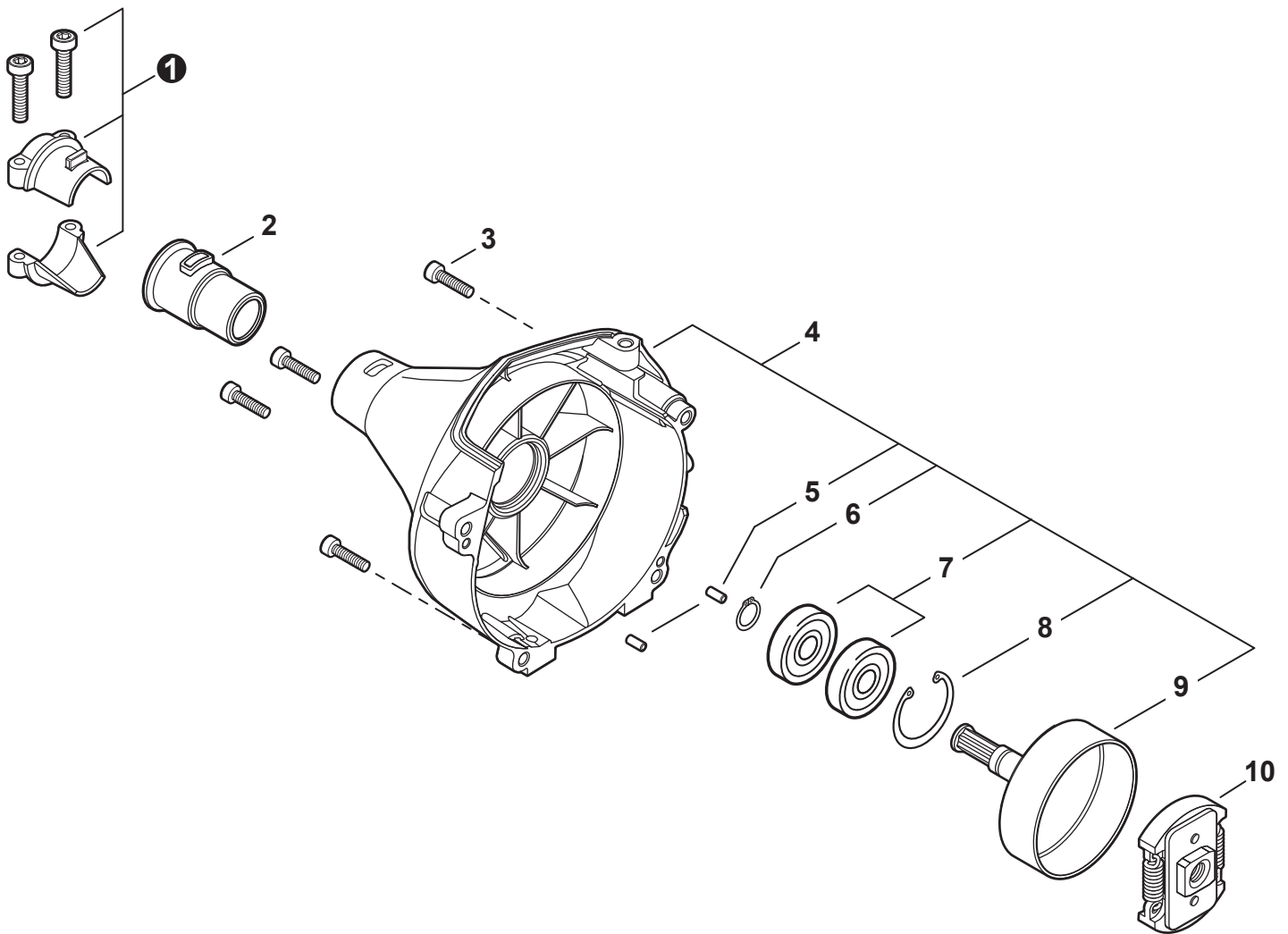
| NO. | PART NUMBER | QTY. | DESCRIPTION | DESCRIPCIÓN |
|-----|-------------|------|--------------------------|-----------------------------------|
| 1 | A411000130 | 1 | COIL, IGNITION | BOBINA DE ENCENDIDO |
| 2 | V804000070 | 2 | BOLT, TORX 4x20 | PERNO TORX 4x20 |
| 3 | V485001120 | 1 | LEAD - IGNITION L= 210 | CABLE DE ENCENDIDO L= 210 |
| 4 | V475007200 | 1 | TUBE, INSULATOR Ø8 L= 65 | TUBO AISLANTE Ø8 L= 65 |
| 5 | A426000010 | 1 | TERMINAL, SPARK PLUG | TERMINAL DE BUJÍA |
| 6 | A427000013 | 1 | CAP, SPARK PLUG | TAPA DE BUJÍA |
| 7 | 15901019830 | 1 | SPARK PLUG - BPM8Y | BUJÍA BPM8Y |
| 8 | A425000000 | 1 | SPARK PLUG - BPMR8Y | BUJÍA BPMR8Y |
| 9 | A409000210 | 1 | FLYWHEEL | VOLANTE |
| 10 | 16201427230 | 1 | LEAD - GROUND L= 115 | CABLE DE TIERRA L= 115 |
| 11 | 15911621231 | 1 | CLAMP | ABRAZADERA |
| 12 | V805000130 | 1 | BOLT, TORX 5x10 | PERNO TORX 5x10 |
| 13 | 90152 | 1 | TUNE-UP KIT - REPOWER | JUEGO DE PUESTA A PUNTO - REPOWER |



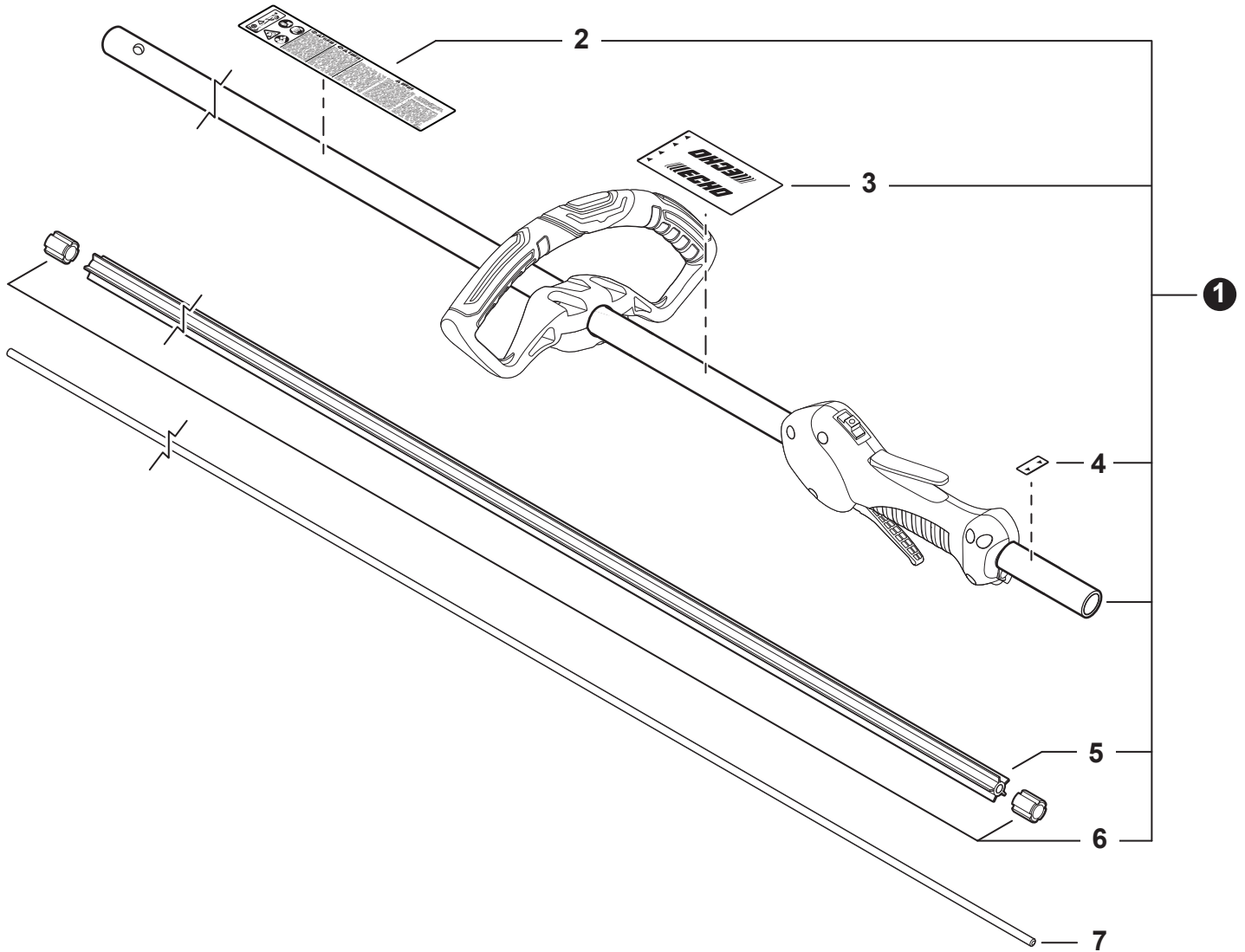
| NO. | PART NUMBER | QTY. | DESCRIPTION | DESCRIPCIÓN |
|-----|-------------|------|---------------------------------|--|
| 1 | A051001390 | 1 | STARTER ASSY, RECOIL | MONTAJE DE ARRANCADOR AUTORRETRÁCTIL |
| 2 | V804000010 | 3 | +BOLT, TORX 4×16 | +PERNO TORX 4×16 |
| 3 | V376001080 | 1 | +BRACKET, STARTER | +ABRAZADERA DE ARRANCADOR |
| 4 | V805000140 | 1 | +BOLT, TORX 5×12 | +PERNO TORX 5×12 |
| 5 | 90060300005 | 1 | +WASHER 5.5×12×0.8 | +ARANDELA 5.5×12×0.8 |
| 6 | A520000070 | 1 | +CAM | +LEVA |
| 7 | P021015540 | 1 | +CLUTCH ASSY | +MONTAJE DE EMBRAGUE |
| 8 | A514000060 | 1 | +PAWL | +TRINQUETE |
| 9 | V450000440 | 1 | +SPRING | +RESORTE |
| 10 | 17722656030 | 1 | +ROPE, STARTER 3×900 | +CUERDA DEL ARRANCADOR 3,5×900 |
| 11 | A506000060 | 1 | +REEL | +CARRETE |
| 12 | V355000080 | 1 | +COLLAR 8 | +COLLAR 8 |
| 13 | A504000001 | 1 | +SPRING, RECOIL | +RESORTE RECOIL |
| 14 | A503000020 | 1 | +PLATE, STARTER | +PLACA DEL ARRANCADOR |
| 15 | 17722742030 | 1 | +GUIDE, ROPE | +GUÍA DE CUERDA |
| 16 | A511000000 | 1 | +GRIP, STARTER | +AGARRE DEL ARRANCADOR |
| 17 | V804000060 | 4 | BOLT, TORX 4×16 | PERNO TORX 4×16 |
| 18 | 17720212220 | 1 | PAWL ASSY, STARTER | MONTAJE DE TRINQUETE |
| 19 | 17723412220 | 2 | +SPRING, RETURN | +RESORTE DE RETORNO |
| 20 | 17721844330 | 2 | +PAWL, STARTER - BLACK | +TRINQUETE NEGRO |
| 21 | 99944440000 | 1 | ROPE, STARTER - REPOWER BULK Ø3 | CUERDA DEL ARRANCADOR REPOWER AL POR MAYOR |



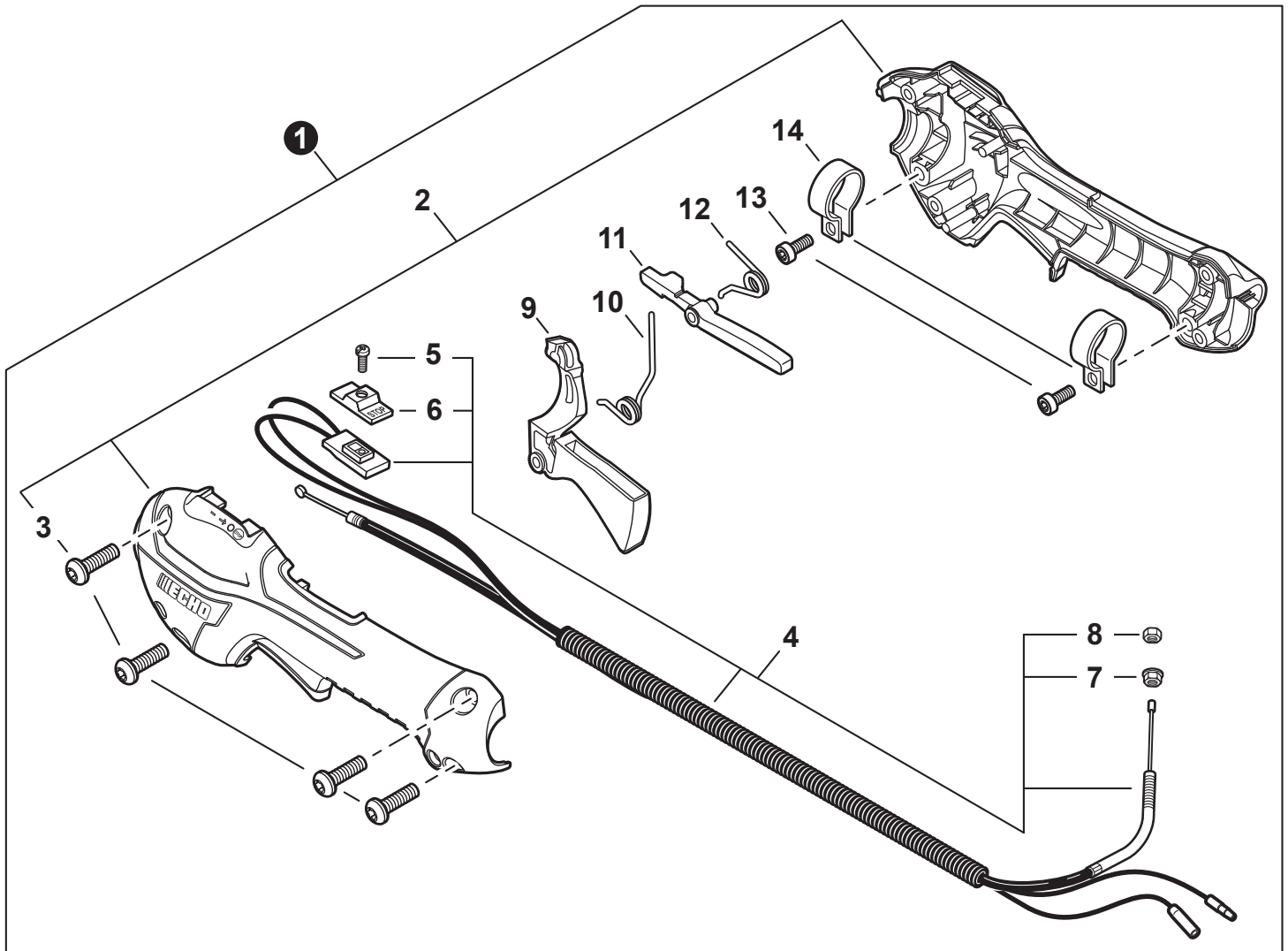
| NO. | PART NUMBER | QTY. | DESCRIPTION | DESCRIPCIÓN |
|-----|-------------|------|----------------------------------|--|
| 1 | 90127 | 1 | FUEL SYSTEM KIT - REPOWER | KIT DEL SISTEMA DE COMBUSTIBLE - REPOWER |
| 2 | A356000031 | 1 | +VENT ASSY | +VÁLVULA DE RESPIRADERO |
| 3 | V490001240 | 3 | +CLIP Ø6 | +SUJETADOR Ø6 |
| 4 | V471001210 | 1 | +PIPE, FUEL 3×5×90 BLACK | +TUBO DE COMBUSTIBLE 3×5×90 NEGRO |
| 5 | V471003691 | 1 | +PIPE, FUEL 3×5×74 BLACK | +TUBO DE COMBUSTIBLE 3×5×74 NEGRO |
| 6 | 13201256030 | 1 | +PIPE, FUEL 3×6×80 CLEAR | +TUBO DE COMBUSTIBLE 3×6×80 TRANSPARENTE |
| 7 | 13211546730 | 1 | +GROMMET, FUEL Ø5 | +OJAL DE COMBUSTIBLE Ø5 |
| 8 | V186000520 | 1 | +CONNECTOR, PIPE Ø5×Ø3.5 | +CONECTOR DE TUBO Ø5×Ø3.5 |
| 9 | V471003700 | 1 | +PIPE, FUEL 3×5×130 BLACK | +TUBO DE COMBUSTIBLE 3×5×130 NEGRO |
| 10 | A369000480 | 1 | +FILTER, FUEL | +FILTRO DE COMBUSTIBLE |
| 11 | V107000150 | 1 | +GASKET, FUEL CAP | +EMPAQUETADURA DEL TAPA DE COMBUSTIBLE |
| 12 | P021040430 | 1 | CAP ASSY, FUEL | MONTAJE DE TAPA DE COMBUSTIBLE |
| 13 | V107000150 | 1 | +GASKET, FUEL CAP | +EMPAQUETADURA DEL TAPA DE COMBUSTIBLE |
| 14 | A365000060 | 1 | +CONNECTOR, CAP L= 123 | +CONECTOR DE TAPA L= 123 |
| 15 | A350000930 | 1 | TANK, FUEL | TANQUE DE COMBUSTIBLE |
| 16 | A175000070 | 1 | GUARD, FUEL TANK | PROTECTOR, TANQUE DE COMBUSTIBLE |
| 17 | V805000170 | 3 | BOLT, TORX 5×25 | PERNO TORX 5×25 |
| 18 | 90248 | 1 | CAP/VENT KIT - REPOWER | JUEGO DE TAPA Y RESPIRADERO - REPOWER |
| 19 | 90014 | 1 | PIPE, BULK - REPOWER 3×5mm BLACK | TUBO REPOWER AL POR MAYOR 3×5mm NEGRO |
| 20 | 90017 | 1 | PIPE, BULK - REPOWER 3×6mm CLEAR | TUBO REPOWER AL POR MAYOR 3×6mm TRANSPARENTE |
| 21 | 90152 | 1 | TUNE-UP KIT - REPOWER | JUEGO DE PUESTA A PUNTO - REPOWER |
| 22 | 90008 | 1 | FILTER KIT - REPOWER | JUEGO DE FILTRO - REPOWER |



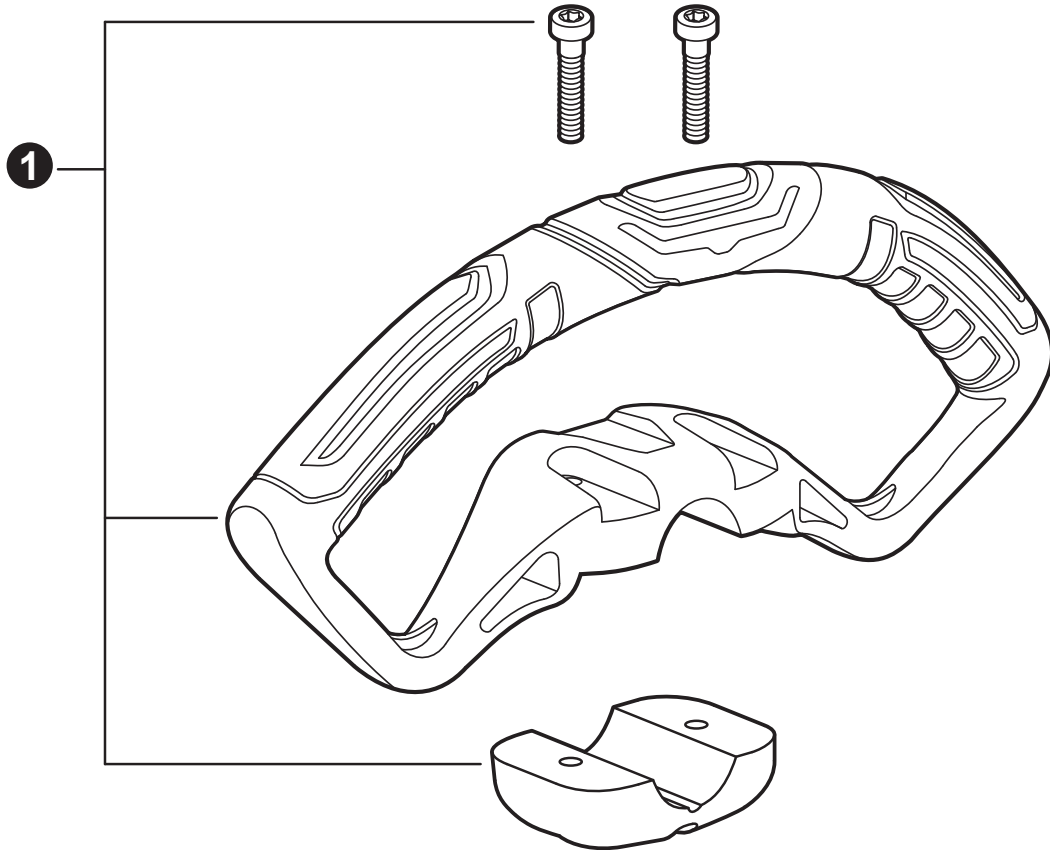
| NO. | PART NUMBER | QTY. | DESCRIPTION | DESCRIPCIÓN |
|-----|-------------------|------|------------------------|---|
| 1 | P021043640 | 1 | HOLDER KIT | JUEGO DE SUJETADOR |
| 2 | 61091055230 | 1 | CUSHION Ø25 | AMORTIGUADOR Ø25 |
| 3 | V804000060 | 4 | BOLT, TORX 4×16 | PERNO TORX 4×16 |
| 4 | P021015560 | 1 | COVER ASSY, FAN | MONTAJE DE CUBIERTA DEL VENTILADOR |
| 5 | V622000020 | 2 | +PIN, LOCATING 4 | +PASADOR DE POSICIONAMIENTO 4 |
| 6 | 90070100012 | 1 | +RING, SNAP 12 | +ANILLO RETENEDOR 12 |
| 7 | 9405106001 | 2 | +BEARING, BALL 6001 | +COJINETE DE BALINES 6001 |
| 8 | 90070200028 | 1 | +RING, SNAP 28 | +ANILLO RETENEDOR 28 |
| 9 | 17500548931 | 1 | +DRUM, CLUTCH | +TAMBOR EMBRAGUE |
| 10 | A056000230 | 1 | CLUTCH ASSY | MONTAJE DE EMBRAGUE |



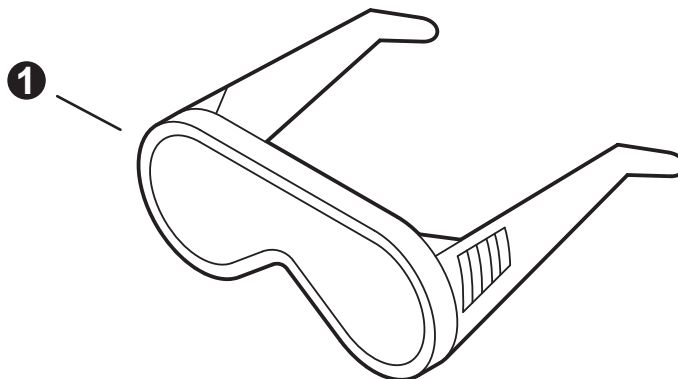
| NO. | PART NUMBER | QTY. | DESCRIPTION | DESCRIPCIÓN |
|-----|-------------|------|----------------------------|---------------------------------|
| 1 | C050001090 | 1 | MAIN PIPE ASSY | MONTAJE DE TUBO PRINCIPAL |
| 2 | X505002500 | 1 | +LABEL, CAUTION | +ETIQUETA DE PRECAUCIÓN |
| 3 | X505001930 | 1 | +LABEL, HANDLE LOCATION | +ETIQUETA - UBICACIÓN DEL MANGO |
| 4 | 89015204930 | 1 | +LABEL - ALIGNMENT | +ETIQUETA - ALINEACIÓN |
| 5 | C507000260 | 1 | +LINER, FLEXIBLE 21.6×1420 | +FORRO FLEXIBLE 21.6×1420 |
| 6 | 61024644730 | 2 | +STOPPER | +RETENEDOR |
| 7 | C506000390 | 1 | DRIVESHAFT - FLEXIBLE | EJE DE MANDO - FLEXIBLE |



| NO. | PART NUMBER | QTY. | DESCRIPTION | DESCRIPCIÓN |
|-----|-------------|------|--------------------------|----------------------------------|
| 1 | P021044483 | 1 | CONTROL HANDLE ASSY | MONTAJE DE MANGO DE CONTROL |
| 2 | P021044371 | 1 | +CONTROL HANDLE KIT | +JUEGO DE MANGO DE CONTROL |
| 3 | V805000000 | 4 | ++BOLT, TORX 5×16 | ++PERNO TORX 5×16 |
| 4 | P021044750 | 1 | +CABLE ASSY, CONTROL | +MONTAJE DE CABLE PARA CONTROL |
| 5 | 9154503010 | 1 | ++SCREW 3×10 | ++TORNILLO 3×10 |
| 6 | A444000020 | 1 | ++KNOB, SWITCH - ORANGE | ++BOTÓN DE INTERRUPTOR - NARANJA |
| 7 | 90051800006 | 1 | ++NUT, FLANGE 6 | ++TUERCA-BRIDA 6 |
| 8 | 90050200006 | 1 | ++NUT M6 | ++TUERCA M6 |
| 9 | C453000482 | 1 | +TRIGGER, THROTTLE | +GATILLO DEL ACELERADOR |
| 10 | V452001520 | 1 | +SPRING, TORSION | +RESORTE DE TORSIÓN |
| 11 | C460000441 | 1 | +LEVER, THROTTLE LOCKOUT | +PALANCA SEGURO DEL ACELERADOR |
| 12 | V452001510 | 1 | +SPRING, TORSION | +RESORTE DE TORSIÓN |
| 13 | V805000150 | 2 | +BOLT, TORX 5×16 | +PERNO TORX 5×16 |
| 14 | V495003020 | 2 | +CLAMP | +ABRAZADERA |

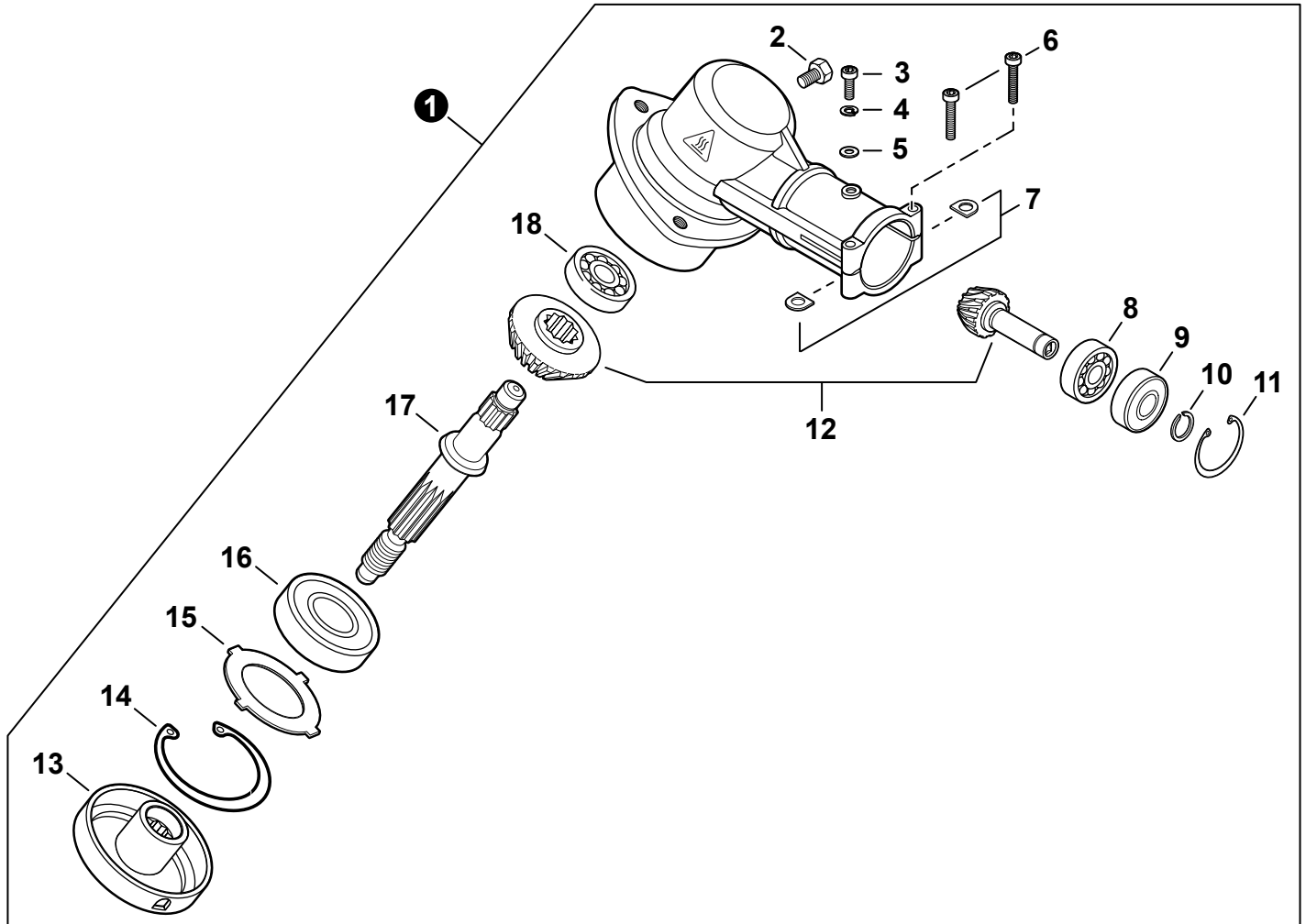


| NO. | PART NUMBER | QTY. | DESCRIPTION | DESCRIPCIÓN |
|-----|-------------|------|----------------------|-----------------------------|
| 1 | P021049580 | 1 | HANDLE ASSY, SUPPORT | MONTAJE DE MANGO DE SOPORTE |

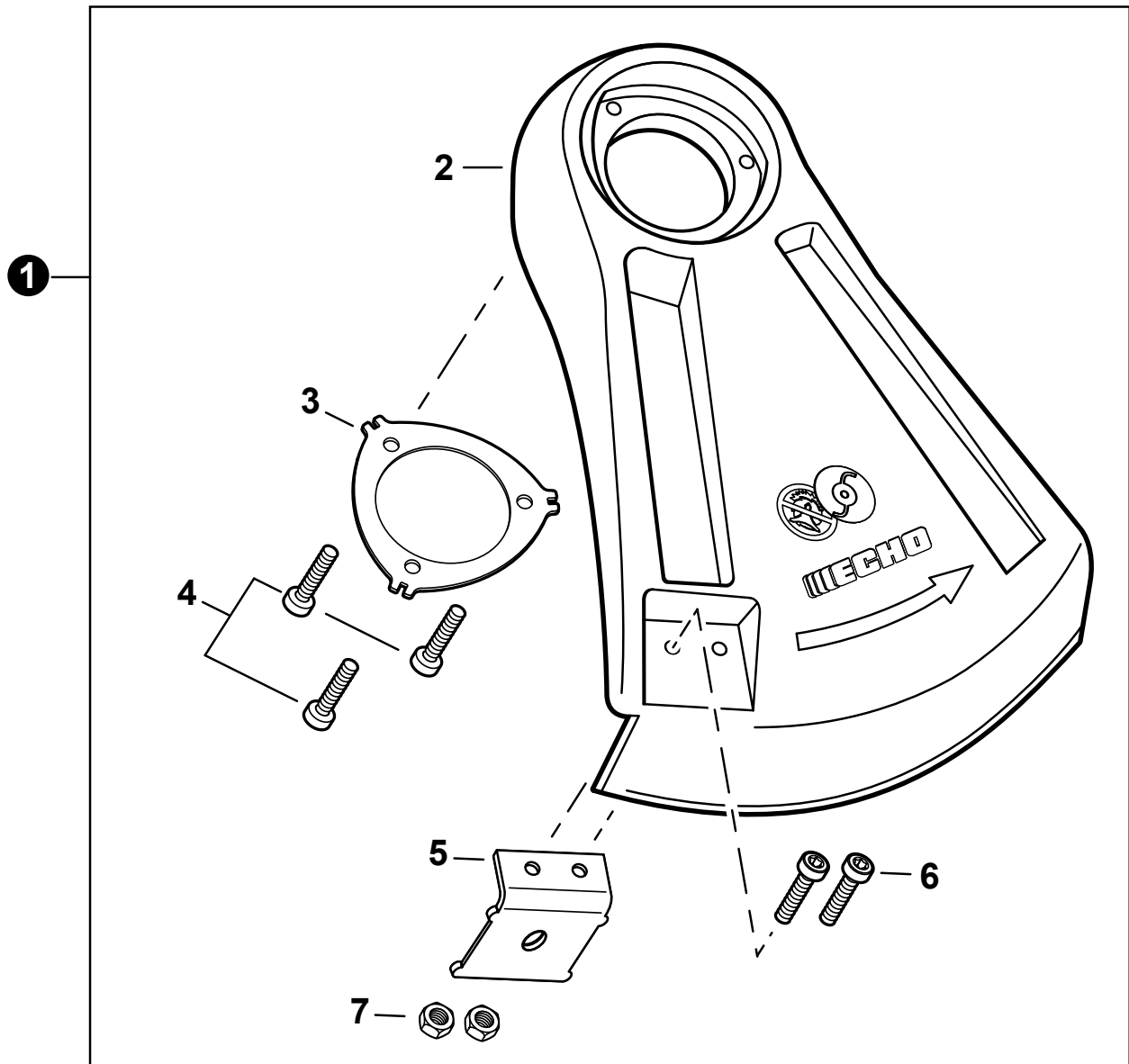


Tools
Herramientas

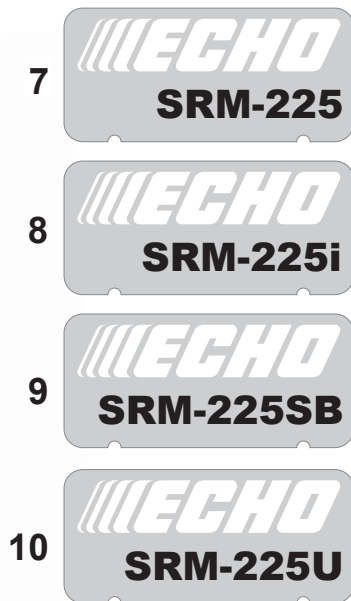
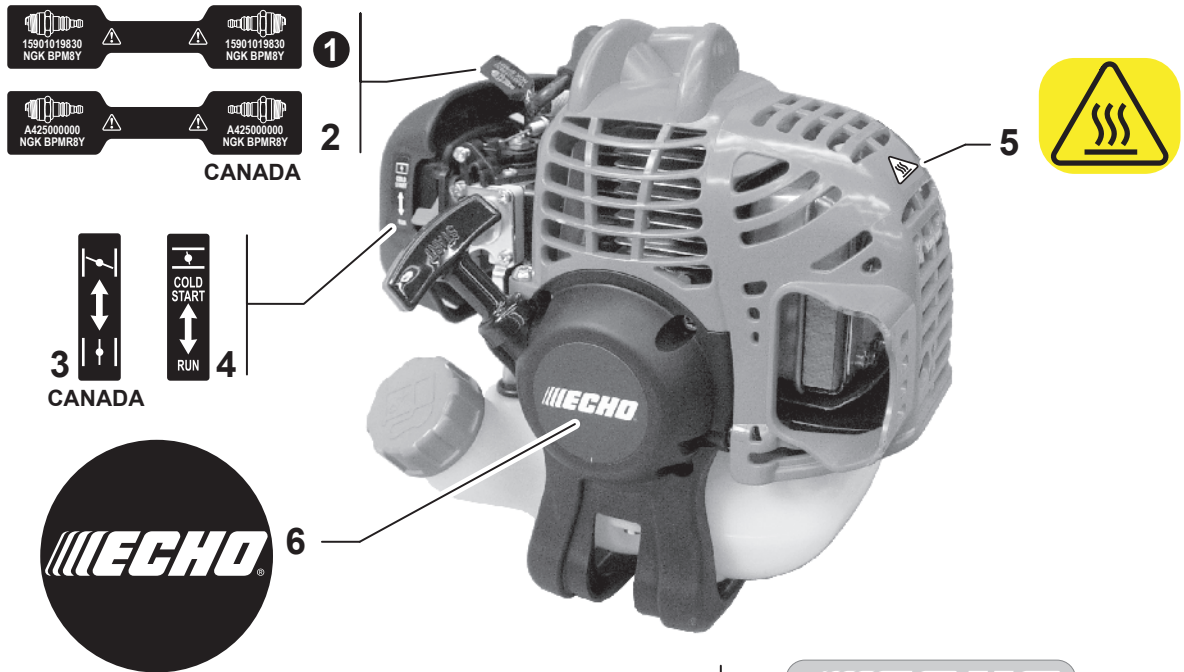
| NO. | PART NUMBER | QTY. | DESCRIPTION | DESCRIPCIÓN |
|-----|-------------|------|-----------------|-----------------------|
| 1 | X690000080 | 1 | GLASSES, SAFETY | ANTEOJOS DE SEGURIDAD |



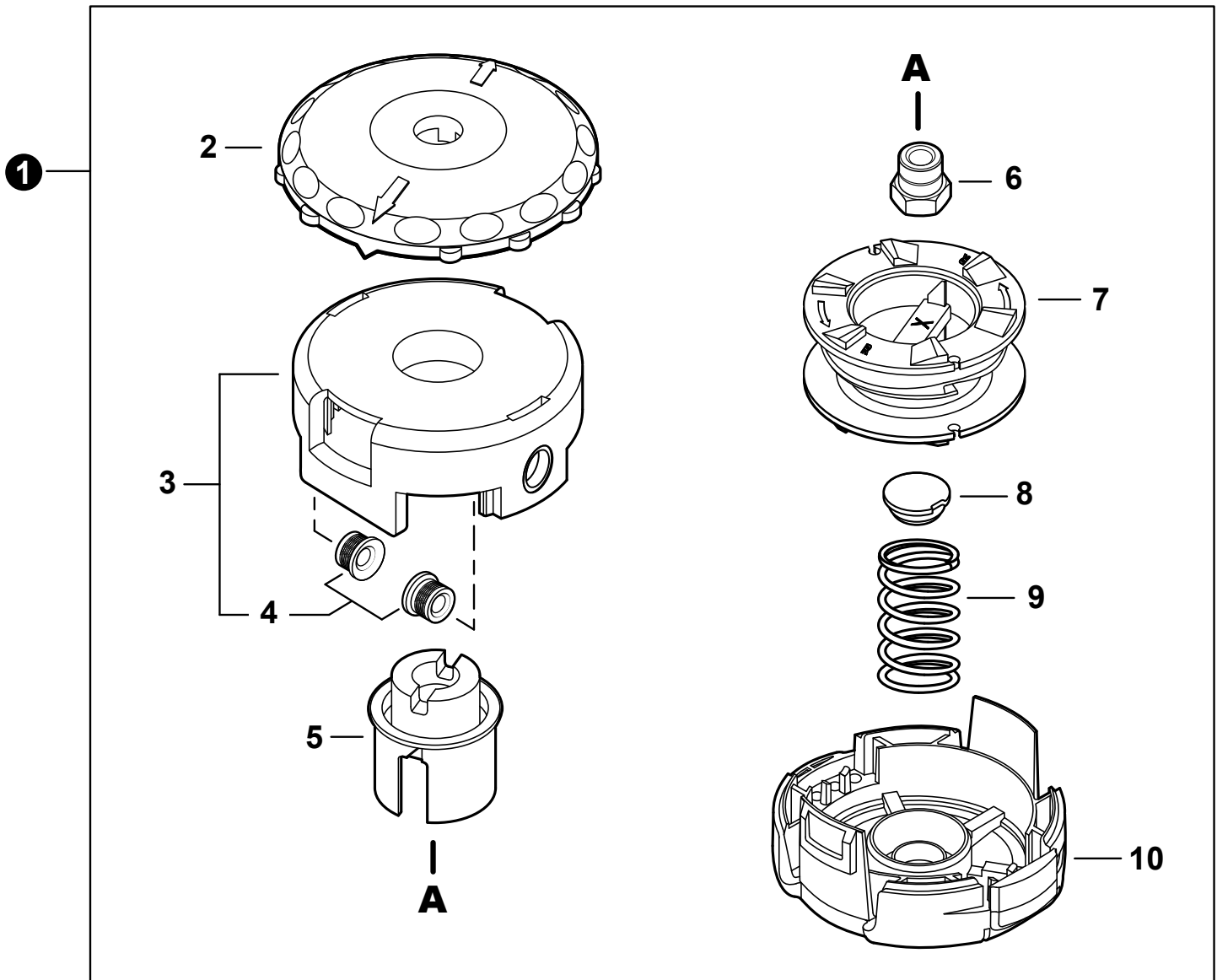
| NO. | PART NUMBER | QTY. | DESCRIPTION | DESCRIPCIÓN |
|-----|-------------|------|--------------------------|-------------------------------|
| 1 | P021015611 | 1 | GEAR CASE ASSY | MONTAJE DE CAJA DE ENGRANAJES |
| 2 | 61043450031 | 1 | +BOLT M8x1.25 | +PERNO M8x1.25 |
| 3 | V805000130 | 1 | +BOLT, TORX 5x10 | +PERNO TORX 5x10 |
| 4 | 90060500005 | 1 | +WASHER, SPRING 5 | +ARANDELA DE PRESION 5 |
| 5 | 90060000005 | 1 | +WASHER, FLAT 5.5x10x0.8 | +ARANDELA 5.5x10x0.8 |
| 6 | V805000170 | 2 | +BOLT, TORX 5x25 | +PERNO TORX 5x25 |
| 7 | 61023904130 | 2 | +D-WASHER | +ARANDELA D |
| 8 | 9406006900 | 1 | +BEARING, BALL 6900 | +COJINETE DE BALINES 6900 |
| 9 | 9406306900 | 1 | +BEARING, BALL 6900Z | +COJINETE DE BALINES 6900Z |
| 10 | 90070600010 | 1 | +RING, SNAP Ø10 | +ANILLO RETENEDOR Ø10 |
| 11 | 90070200022 | 1 | +RING, SNAP Ø22 | +ANILLO RETENEDOR Ø22 |
| 12 | 61030044830 | 1 | +GEAR SET | +JUEGO DE ENGRANAJES |
| 13 | C535000210 | 1 | +PLATE, ADAPTOR - UPPER | +PLACA DEL ADAPTADOR SUPERIOR |
| 14 | 90070200032 | 1 | +RING, SNAP Ø32 | +ANILLO RETENEDOR Ø32 |
| 15 | V340000180 | 1 | +WASHER | +ARANDELA |
| 16 | 90081206201 | 1 | +BEARING, BALL 6201 | +COJINETE DE BALINES 6201 |
| 17 | C534000270 | 1 | +SHAFT, GEAR | +EJE DE ENGRANAJE |
| 18 | 9406000609 | 1 | +BEARING, BALL 609 | +COJINETE DE BALINES 609 |



| NO. | PART NUMBER | QTY. | DESCRIPTION | DESCRIPCIÓN |
|-----|-------------|------|-------------------------|-------------------------------------|
| 1 | P021047400 | 1 | DEBRIS SHIELD KIT | JUEGO DE PROTECTOR CONTRA RESIDUOS |
| 2 | C550000032 | 1 | +SHIELD, DEBRIS PLASTIC | +PROTECTOR CONTRA RESIDUOS PLÁSTICO |
| 3 | C552000240 | 1 | +PLATE, SHIELD | +PLACA PROTECTORA |
| 4 | V805000150 | 3 | +BOLT, TORX 5×16 | +PERNO TORX 5×16 |
| 5 | 69901644330 | 1 | +CUTTER, LINE | +CUCHILLA DEL HILO |
| 6 | V835000010 | 2 | +BOLT, TORX 5×12 | +PERNO TORX 5×12 |
| 7 | 90050000005 | 2 | +NUT 5 | +TUERCA 5 |



| NO. | PART NUMBER | QTY. | DESCRIPTION | DESCRIPCIÓN |
|-----|-------------|------|----------------------------|---------------------------------|
| 1 | X532000671 | 1 | LABEL, SPARK PLUG - BPM8Y | ETIQUETA DE BUJÍA BPM8Y |
| 2 | X532000720 | 1 | LABEL, SPARK PLUG - BPMR8Y | ETIQUETA DE BUJÍA BPMR8Y |
| 3 | 89033252730 | 1 | LABEL, CHOKE | ETIQUETA DEL ESTRANGULADOR |
| 4 | 89012152730 | 1 | LABEL, CHOKE | ETIQUETA DEL ESTRANGULADOR |
| 5 | X505008220 | 1 | LABEL, CAUTION - HOT | ETIQUETA DE PRECAUCIÓN CALIENTE |
| 6 | X502000330 | 1 | LABEL, ECHO | ETIQUETA ECHO |
| 7 | X547001300 | 1 | LABEL, MODEL SRM-225 | ETIQUETA MODELO SRM-225 |
| 8 | X547001530 | 1 | LABEL, MODEL SRM-225i | ETIQUETA MODELO SRM-225i |
| 9 | X547001360 | 1 | LABEL, MODEL SRM-225SB | ETIQUETA MODELO SRM-225SB |
| 10 | X547001330 | 1 | LABEL, MODEL SRM-225U | ETIQUETA MODELO SRM-225U |



| NO. | PART NUMBER | QTY. | DESCRIPTION | DESCRIPCIÓN |
|-----|-------------|------|------------------------------|---------------------------------|
| 1 | 99944200907 | 1 | TRIMMER HEAD, SPEED-FEED 400 | CABEZAL DE CORTE SPEED-FEED 400 |
| 2 | E415000180 | 1 | +KNOB | +PERILLA |
| 3 | X470000330 | 1 | +HOUSING ASSY, SPOOL | +MONTAJE DE CAJA DEL CARRETE |
| 4 | X475000110 | 2 | ++EYELET | ++OJAL |
| 5 | X476000040 | 1 | +HUB (LH) BLACK | +CUBO (LH) NEGRO |
| 6 | V160000150 | 1 | +BUSHING M10×1.25 LH GOLD | +BUJE M10×1.25 LH ORO |
| 7 | X473000130 | 1 | +SPOOL | +CARRETE |
| 8 | V494000840 | 1 | +CAP, SPRING | +TAPA DE RESORTE |
| 9 | V450001880 | 1 | +SPRING, GOLD | +RESORTE ORO |
| 10 | X472000070 | 1 | +COVER, SPOOL | +CUBIERTA DEL CARRETE |



| NO. | PART NUMBER | QTY. | DESCRIPTION | DESCRIPCIÓN |
|-----|-------------|------|---|---|
| 1 | P021015981 | 1 | GASKET KIT | JUEGO DE EMPAQUETADURA |
| 2 | 10024242030 | 1 | +GASKET, CRANKCASE | +EMPAQUETADURA DE CÁRTER |
| 3 | V100000160 | 1 | +GASKET, CYLINDER | +EMPAQUETADURA DE CILINDRO |
| 4 | V103001500 | 1 | +GASKET, INTAKE | +EMPAQUETADURA DE ADMISIÓN |
| 5 | V103001360 | 1 | +GASKET, INTAKE | +EMPAQUETADURA DE ADMISIÓN |
| 6 | V104000850 | 2 | +GASKET, EXHAUST | +EMPAQUETADURA DE ESCAPE |
| 7 | V104001760 | 1 | +GASKET, EXHAUST | +EMPAQUETADURA DE ESCAPE |
| 8 | 90127 | 1 | FUEL SYSTEM KIT - REPOWER | KIT DEL SISTEMA DE COMBUSTIBLE - REPOWER |
| 9 | A356000031 | 1 | +VENT ASSY | +VÁLVULA DE RESPIRADERO |
| 10 | V490001240 | 3 | +CLIP Ø6 | +SUJETADOR Ø6 |
| 11 | V471001210 | 1 | +PIPE, FUEL 3×5×90 BLACK | +TUBO DE COMBUSTIBLE 3×5×90 NEGRO |
| 12 | V471003691 | 1 | +PIPE, FUEL 3×5×74 BLACK | +TUBO DE COMBUSTIBLE 3×5×74 NEGRO |
| 13 | 13201256030 | 1 | +PIPE, FUEL 3×6×80 CLEAR | +TUBO DE COMBUSTIBLE 3×6×80 TRANSPARENTE |
| 14 | 13211546730 | 1 | +GROMMET, FUEL Ø5 | +OJAL DE COMBUSTIBLE Ø5 |
| 15 | V186000520 | 1 | +CONNECTOR, PIPE Ø5×Ø3.5 | +CONECTOR DE TUBO Ø5×Ø3.5 |
| 16 | V471003700 | 1 | +PIPE, FUEL 3×5×130 BLACK | +TUBO DE COMBUSTIBLE 3×5×130 NEGRO |
| 17 | A369000480 | 1 | +FILTER, FUEL | +FILTRO DE COMBUSTIBLE |
| 18 | V107000150 | 1 | +GASKET, FUEL CAP | +EMPAQUETADURA DEL TAPA DE COMBUSTIBLE |
| 19 | P005003110 | 1 | +BULB, PURGE | +BULBO DE PURGA |
| 20 | 90152 | 1 | TUNE-UP KIT - REPOWER | JUEGO DE PUESTA A PUNTO - REPOWER |
| 21 | A369000480 | 1 | +FILTER, FUEL | +FILTRO DE COMBUSTIBLE |
| 22 | A226001410 | 1 | +FILTER, AIR - DOUBLE LAYER | +FILTRO DE AIRE - CAPA DOBLE |
| 23 | A425000000 | 1 | +SPARK PLUG - BPMR8Y | +BUJÍA BPMR8Y |
| 24 | 99944440000 | 1 | ROPE, STARTER - REPOWER BULK Ø3 | CUERDA DEL ARRANCADOR REPOWER AL POR MAYOR |
| 25 | 90014 | 1 | PIPE, BULK - REPOWER 3×5mm BLACK | TUBO REPOWER AL POR MAYOR 3×5mm NEGRO |
| 26 | 90017 | 1 | PIPE, BULK - REPOWER 3×6mm CLEAR | TUBO REPOWER AL POR MAYOR 3×6mm TRANSPARENTE |
| 27 | 90248 | 1 | CAP/VENT KIT - REPOWER | JUEGO DE TAPA Y RESPIRADERO - REPOWER |
| 28 | | 1 | +CAP, FUEL | +TAPA DE COMBUSTIBLE |
| 29 | A356000031 | 1 | +VENT ASSY | +VÁLVULA DE RESPIRADERO |
| 30 | V107000150 | 1 | +GASKET, FUEL CAP | +EMPAQUETADURA DEL TAPA DE COMBUSTIBLE |
| 31 | 90008 | 1 | FILTER KIT - REPOWER | JUEGO DE FILTRO - REPOWER |
| 32 | A226001410 | 1 | +FILTER, AIR - DOUBLE LAYER | +FILTRO DE AIRE - CAPA DOBLE |
| 33 | 13120507321 | 1 | +FILTER, FUEL | +FILTRO DE COMBUSTIBLE |