



---

**Fits Models**

GT - 21.2 cc AND UP

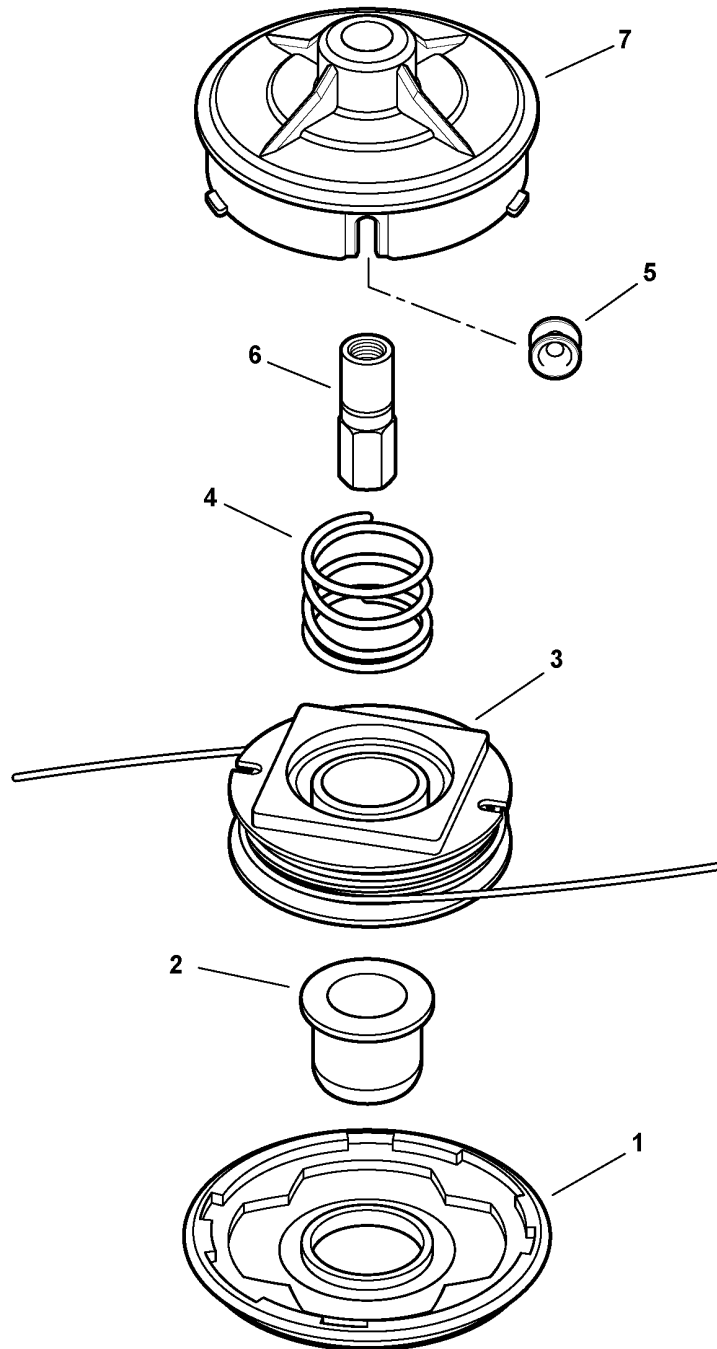
**PARTS CATALOG**  
**99944200240 GT**  
**ECHOmatic Trimmer**  
**Head**

**Cutting Head**

***ECHO, INCORPORATED***

400 Oakwood Road Lake Zurich, Illinois 60047 USA

WWW.ECHO-USA.COM



035 0002 000

---

ITEM	PART NUMBER	QTY	DESCRIPTION	REMARKS
1	69621752730	1	COVER	
2	215407	1	BUTTON	
3	69621452730	1	SPOOL	
4	215405	1	SPRING	
5	215703	2	EYELET	
6	69621152730	1	SHAFT	
7	69621052730	1	HOUSING	



**ECHO, INCORPORATED**

400 Oakwood Road  
Lake Zurich, IL 60047 USA

[WWW.ECHO-USA.COM](http://WWW.ECHO-USA.COM)

---