



Accessories for ECHO products can be found at:

Los accesorios para los productos ECHO se pueden encontrar en:

[www.echo-usa.com/products/catalogs](http://www.echo-usa.com/products/catalogs)

| <b>OPTIONAL ACCESSORIES &amp; ATTACHMENTS:</b> |             |
|--|-------------|
| Chain Saw Carry Bag                            | 103942147   |
| 12-20" Scabbard                                | 99988801595 |
| ToughChest- 20 Case                            | 99988801210 |
| Chain Sharpening Kit                           | 99988800720 |
| 5/32" Files, Box of 2                          | 99988801700 |
| 5/32" Files, Box of 12                         | 99988801720 |
| 6" Flat File, Box of 12                        | 99988801760 |
| Plastic File Handle                            | 99988801762 |
| Small Chain Saw Case                           | 99988801213 |
| Chain Saw Gloves, Medium                       | 99988801600 |
| Chain Saw Gloves, Large                        | 99988801601 |
| Chain Saw Gloves, XL                           | 99988801602 |
| Chain Saw Gloves, 2XL                          | 99988801603 |
| <b>SAFETY EQUIPMENT</b>                        |             |
| Helmet System                                  | 99988801500 |
| Chaps - 36" Apron                              | 99988801300 |
| Chaps - 36" Full Wrap                          | 99988801302 |
| Chaps - 40" Apron                              | 99988801301 |
| Chaps - 40" Full Wrap                          | 99988801303 |
| Hearing Protection                             | 99988801520 |
| <b>ACCESORIOS OPCIONALES</b>                   |             |
| Bolso de transporte                            | 103942147   |
| Funda 30-50.8cm                                | 89850308034 |
| ToughChest-20 estuche                          | 99988801210 |
| Kit de afilado para cadena                     | 99988800720 |
| Archivos 4.0 mm, Caja de 2                     | 99988801700 |
| Archivos 4.0 mm, Caja de 12                    | 99988801720 |
| De archivos planos 15 cm, Caja de 12           | 99988801760 |
| Mango de archivo plástica                      | 99988801762 |
| Caso Saw pequeña cadena                        | 99988801213 |
| Guantes de motosierras, Medio                  | 99988801600 |
| Guantes de motosierras, Grande                 | 99988801601 |
| Cadena Guantes de sierra, XL                   | 99988801602 |
| Cadena Guantes de sierra, 2XL                  | 99988801603 |
| <b>EQUIPO DE SEGURIDAD</b>                     |             |
| Casco de seguridad                             | 99988801500 |
| Chaparreras - Mandil 91cm                      | 99988801300 |
| Chaparreras 91cm                               | 99988801302 |
| Chaparreras - Mandil 102cm                     | 99988801301 |
| Chaparreras 102cm                              | 99988801303 |
| Protección de los oídos                        | 99988801520 |

## **PARTS CATALOG** **LISTA DE PIEZAS**

# **CS-370F** **Chain Saw** **CS-370F MOTOSIERRA**



**36.3cc**

**SERIAL NUMBER**  
NÚMERO DE SERIE

**C27611001001 - C27611999999**

## **ECHO, INCORPORATED**

400 Oakwood Road, Lake Zurich, Illinois 60047

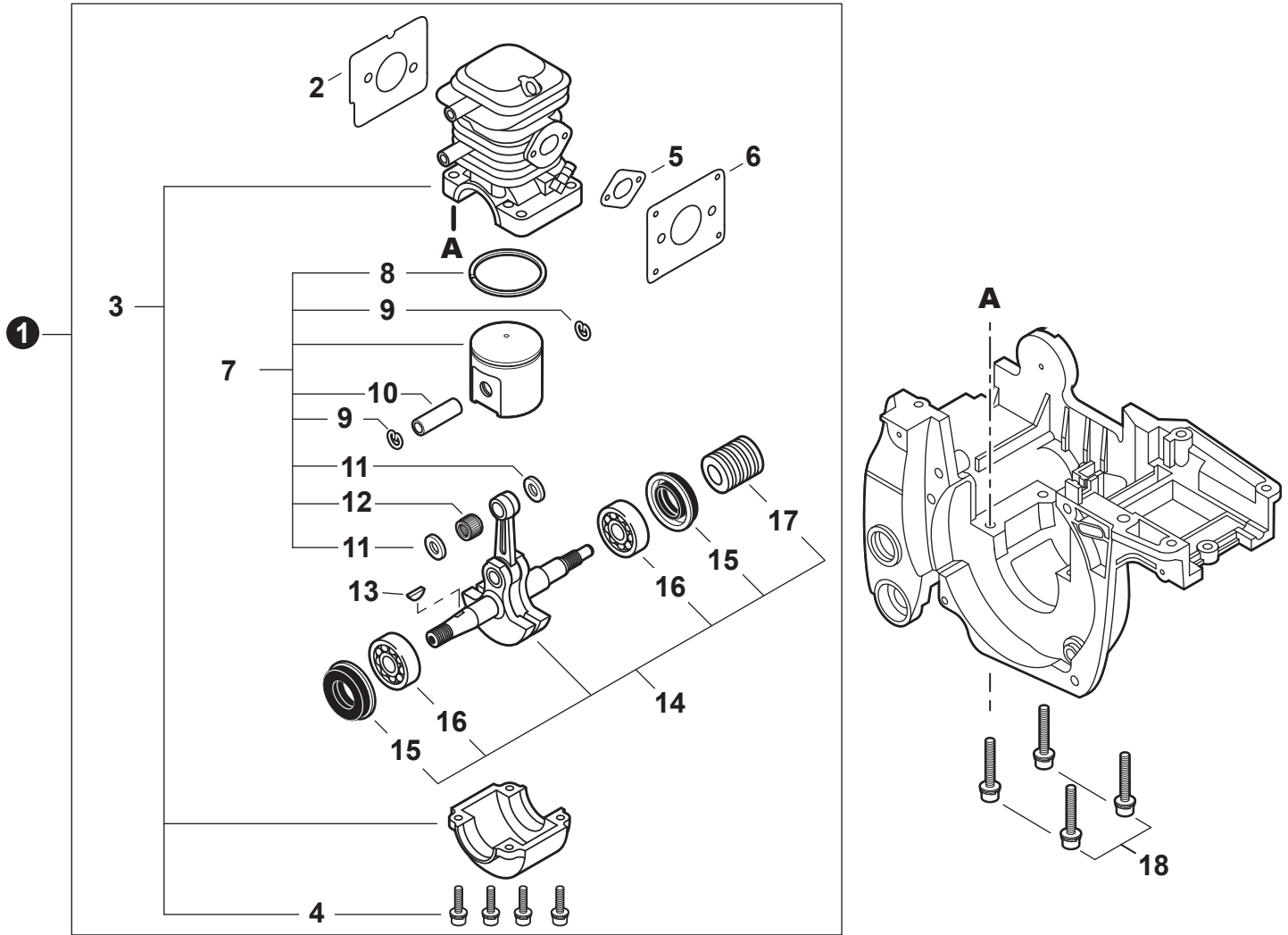
[WWW.ECHO-USA.COM](http://WWW.ECHO-USA.COM)

©2016 ECHO, Incorporated. All Rights Reserved

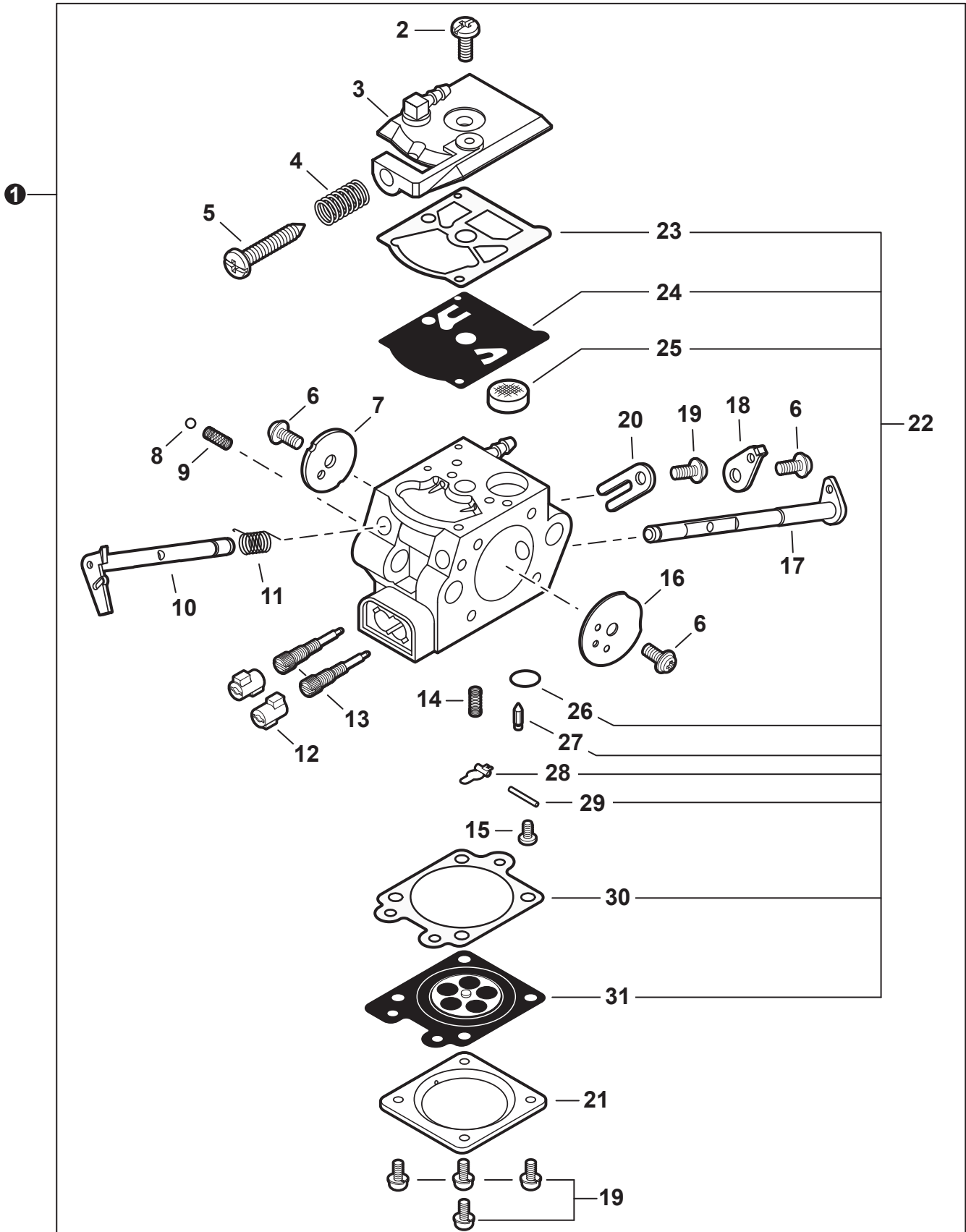
P/N 99922202122  
REVISED 10/14/16

---

|  |           |
|--|-----------|
| <b>Engine</b> .....                          | <b>3</b>  |
| Motor  |           |
| <b>Carburetor</b> .....                      | <b>4</b>  |
| Carburador                                   |           |
| <b>Carburetor</b> .....                      | <b>5</b>  |
| Carburador                                   |           |
| <b>Intake</b> .....                          | <b>6</b>  |
| Admisión                                     |           |
| <b>Exhaust</b> .....                         | <b>7</b>  |
| Escape                                       |           |
| <b>Engine Covers</b> .....                   | <b>8</b>  |
| Cubiertas del motor                          |           |
| <b>Ignition</b> .....                        | <b>9</b>  |
| Encendido                                    |           |
| <b>Recoil Starter</b> .....                  | <b>10</b> |
| Arrancador Autorretráctil                    |           |
| <b>Handles, Throttle Control</b> .....       | <b>11</b> |
| Mangos, Control del Acelerador               |           |
| <b>Fuel System</b> .....                     | <b>12</b> |
| Sistema de combustible                       |           |
| <b>Oil System</b> .....                      | <b>13</b> |
| Sistema de aceite                            |           |
| <b>Chain Brake</b> .....                     | <b>14</b> |
| Freno de cadena                              |           |
| <b>Chain Brake</b> .....                     | <b>15</b> |
| Freno de cadena                              |           |
| <b>Clutch</b> .....                          | <b>16</b> |
| Embrague                                     |           |
| <b>Tools</b> .....                           | <b>16</b> |
| Herramientas                                 |           |
| <b>Labels</b> .....                          | <b>17</b> |
| Etiquetas                                    |           |
| <b>Chain, Guide Bar</b> .....                | <b>18</b> |
| Cadena, Guía de barra                        |           |
| <b>Maintenance Kits</b> .....                | <b>18</b> |
| Juegos de mantenimiento                      |           |
| <b>Bulk Pipe and Starter Ropes</b> .....     | <b>19</b> |
| Tubo al por mayor y la cuerda del arrancador |           |

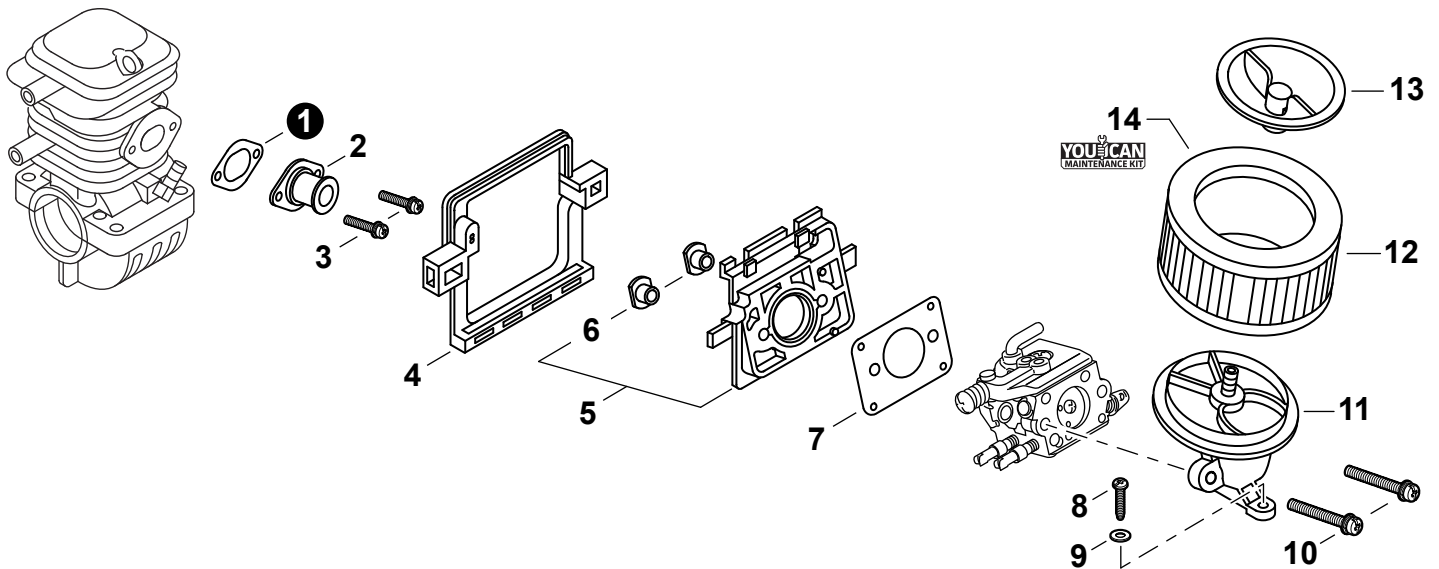


| NO. | PART NUMBER | QTY. | DESCRIPTION                | DESCRIPCIÓN                     |
|-----|-------------|------|----------------------------|---------------------------------|
| 1   | SB1115      | 1    | SHORT BLOCK                | BLOQUE CORTO                    |
| 2   | V104000732  | 1    | +GASKET, EXHAUST           | +EMPAQUETADURA DE ESCAPE        |
| 3   | P021017370  | 1    | +CRANKCASE SET             | +JUEGO DE CÁRTER                |
| 4   | 90016205022 | 4    | ++BOLT 5×22                | ++PERNO 5×22                    |
| 5   | V103000290  | 1    | +GASKET, INTAKE            | +EMPAQUETADURA DE ADMISIÓN      |
| 6   | V103000280  | 1    | +GASKET, INTAKE            | +EMPAQUETADURA DE ADMISIÓN      |
| 7   | P021009830  | 1    | +PISTON KIT                | +JUEGO DE PISTÓN                |
| 8   | A101000110  | 1    | ++RING, PISTON             | ++ANILLO DEL PISTÓN             |
| 9   | 10001503931 | 2    | ++RING, SNAP               | ++ANILLO RETENEDOR              |
| 10  | 10001327430 | 1    | ++PIN, PISTON              | ++PASADOR DEL PISTÓN            |
| 11  | 10001453630 | 2    | ++WASHER, THRUST 9×12×15×3 | ++ARANDELA DE EMPUJE 9×12×15×3  |
| 12  | 10001216131 | 1    | ++BEARING, NEEDLE 9        | ++COJINETE DE AGUJAS 9          |
| 13  | 10014212330 | 1    | +KEY, WOODRUFF             | +CHAVETA WOODRUFF               |
| 14  | P021009841  | 1    | +CRANKSHAFT ASSY           | +MONTAJE DE CIGÜEÑAL            |
| 15  | V505000011  | 2    | ++SEAL, OIL 12             | ++SELLO DE ACEITE 12            |
| 16  | 90088836201 | 2    | ++BEARING, BALL 6201       | ++COJINETE DE BALINES 6201      |
| 17  | V652000010  | 1    | ++GEAR, WORM               | ++ENGRANAJE DE TORNILLO SIN FIN |
| 18  | 90016205030 | 4    | BOLT 5×30                  | PERNO 5×30                      |

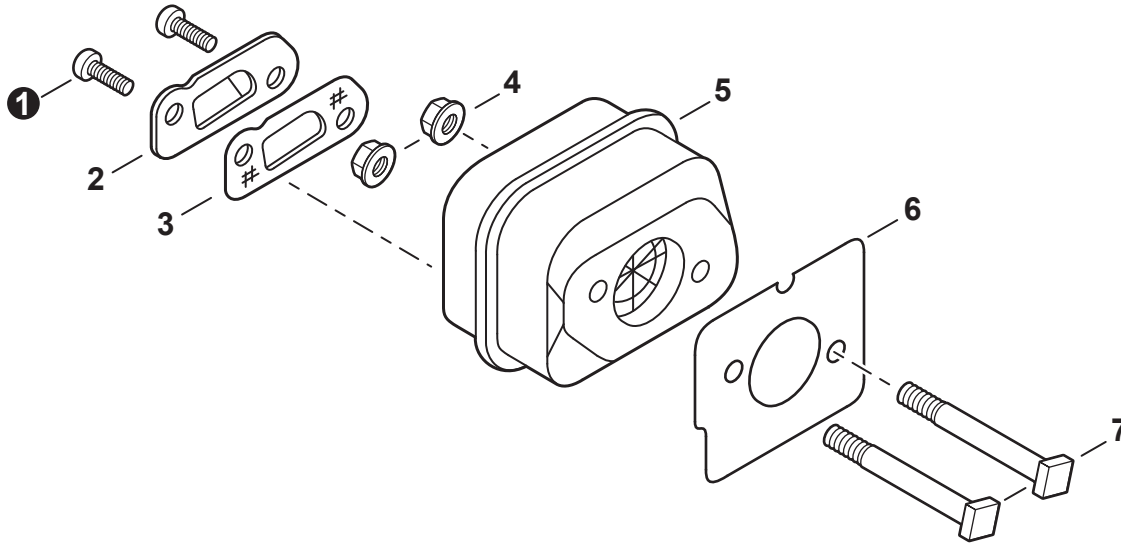


WT-981

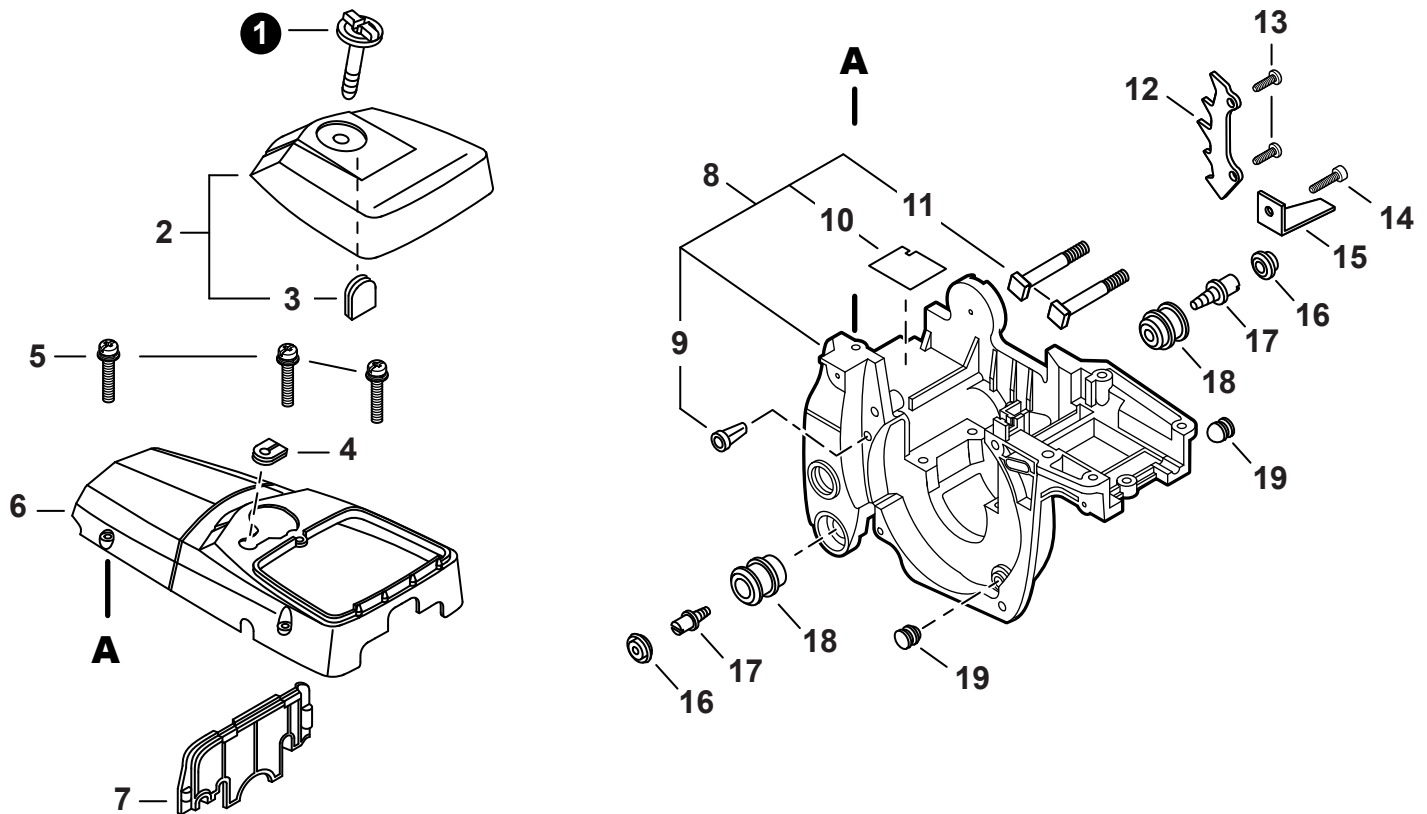
| NO. | PART NUMBER | QTY. | DESCRIPTION                    | DESCRIPCIÓN                               |
|-----|-------------|------|--------------------------------|---|
| 1   | A021001891  | 1    | CARBURETOR WT-981              | CARBURADOR WT-981                         |
| 2   | 12311003930 | 1    | +SCREW                         | +TORNILLO                                 |
| 3   | P003003930  | 1    | +COVER, FUEL PUMP              | +CUBIERTA DE LA BOMBA DE COMBUSTIBLE      |
| 4   | 12313304260 | 1    | +SPRING, IDLE ADJUST           | +RESORTE PARA AJUSTAR EL RALENTÍ          |
| 5   | 12313404260 | 1    | +SCREW, IDLE ADJUST            | +TORNILLO PARA AJUSTAR EL RALENTI         |
| 6   | 12311438830 | 3    | +SCREW                         | +TORNILLO                                 |
| 7   | 12311610530 | 1    | +VALVE, THROTTLE               | +VÁLVULA DEL ACELERADOR                   |
| 8   | 12313610630 | 1    | +BALL, CHOKE FRICTION          | +BOLA DE FRICCIÓN                         |
| 9   | 12313510630 | 1    | +SPRING                        | +RESORTE                                  |
| 10  | P003001800  | 1    | +SHAFT ASSY, THROTTLE          | +MONTAJE DE EJE ACELERADOR                |
| 11  | 12311337530 | 1    | +SPRING, THROTTLE RETURN       | +RESORTE DEL ACELERADOR                   |
| 12  | P003000010  | 2    | +CAP, LIMITER                  | +PROTECTOR DE TORNILLO                    |
| 13  | 12312003661 | 2    | +NEEDLE, MIXTURE               | +AGUJA DE REGULACION                      |
| 14  | 12312239330 | 1    | +SPRING, METERING LEVER        | +RESORTE PALANCA DE MEDICIÓN              |
| 15  | 12313903930 | 1    | +SCREW, METERING LEVER PIN     | +TORNILLO PASADOR DE PALANCA DE MEDICIÓN  |
| 16  | 12313237330 | 1    | +VALVE, CHOKE                  | +VÁLVULA ESTRANGULADOR                    |
| 17  | 12313135430 | 1    | +SHAFT, CHOKE                  | +EJE DEL ESTRANGULADOR                    |
| 18  | P003001520  | 1    | +LEVER, THROTTLE               | +PALANCA DE ACELERADOR                    |
| 19  | 12313002960 | 5    | +SCREW                         | +TORNILLO                                 |
| 20  | 12312703930 | 1    | +CLIP, THROTTLE SHAFT          | +SUJETADOR DE EJE DEL ACELERADOR          |
| 21  | 12314203930 | 1    | +COVER, METERING DIAPHRAGM     | +TAPA DE DIAFRAGMA DE MEDICIÓN            |
| 22  | P033000030  | 1    | <b>+REPAIR KIT, CARBURETOR</b> | <b>+JUEGO DE REPARACIÓN DE CARBURADOR</b> |
| 23  |             | 1    | ++GASKET, PUMP                 | ++EMPAQUETADURA DE LA BOMBA               |
| 24  |             | 1    | ++DIAPHRAGM, PUMP              | ++DIAFRAGMA DE LA BOMBA                   |
| 25  |             | 1    | ++SCREEN, FUEL INLET           | ++MALLA FILTRADORA                        |
| 26  |             | 1    | ++PLUG, WELCH                  | ++TAPÓN WELCH                             |
| 27  |             | 1    | ++VALVE, INLET NEEDLE          | ++VÁLVULA REGULADORA                      |
| 28  |             | 1    | ++LEVER, METERING              | ++PALANCA DE MEDICIÓN                     |
| 29  |             | 1    | ++PIN, METERING LEVER          | ++PASADOR DE PALANCA DE MEDICIÓN          |
| 30  |             | 1    | ++GASKET, METERING DIAPHRAGM   | ++EMPAQUETADURA DIAFRAGMA DE MEDICIÓN     |
| 31  |             | 1    | ++DIAPHRAGM, METERING          | ++DIAFRAGMA DE MEDICIÓN                   |



| NO. | PART NUMBER | QTY. | DESCRIPTION             | DESCRIPCIÓN                       |
|-----|-------------|------|-------------------------|-----------------------------------|
| 1   | V103000290  | 1    | GASKET, INTAKE          | EMPAQUETADURA DE ADMISIÓN         |
| 2   | A202000060  | 1    | BELLOWS, INTAKE         | FUELLE DE ADMISIÓN                |
| 3   | 90023805014 | 2    | SCREW 5×14              | TORNILLOS 5×14                    |
| 4   | V420001420  | 1    | CUSHION                 | AMORTIGUADOR                      |
| 5   | 13000739932 | 1    | INSULATOR SET, INTAKE   | JUEGO DE AISLADOR DE ADMISIÓN     |
| 6   | 13002033330 | 2    | +NUT M5                 | +TUERCA M5                        |
| 7   | V103000280  | 1    | GASKET, INTAKE          | EMPAQUETADURA DE ADMISIÓN         |
| 8   | 90025305020 | 1    | SCREW 5×20              | TORNILLO 5×20                     |
| 9   | 90060000005 | 1    | WASHER, FLAT 5.5×10×0.8 | ARANDELA 5.5×10×0.8               |
| 10  | 90023805050 | 2    | SCREW 5×50              | TORNILLO 5×50                     |
| 11  | 13030139935 | 1    | ADAPTOR, INTAKE         | ADAPTADOR DE ADMISIÓN             |
| 12  | 13030039730 | 1    | FILTER, HEAVY DUTY AIR  | FILTRO DE AIRE - SERVICIO PESADO  |
| 13  | 13040538332 | 1    | CAP, AIR FILTER         | TAPA DE FILTRO DE AIRE            |
| 14  | 90155Y      | 1    | TUNE-UP KIT - YOUCAN™   | JUEGO DE PUESTA A PUNTO - YOUCAN™ |

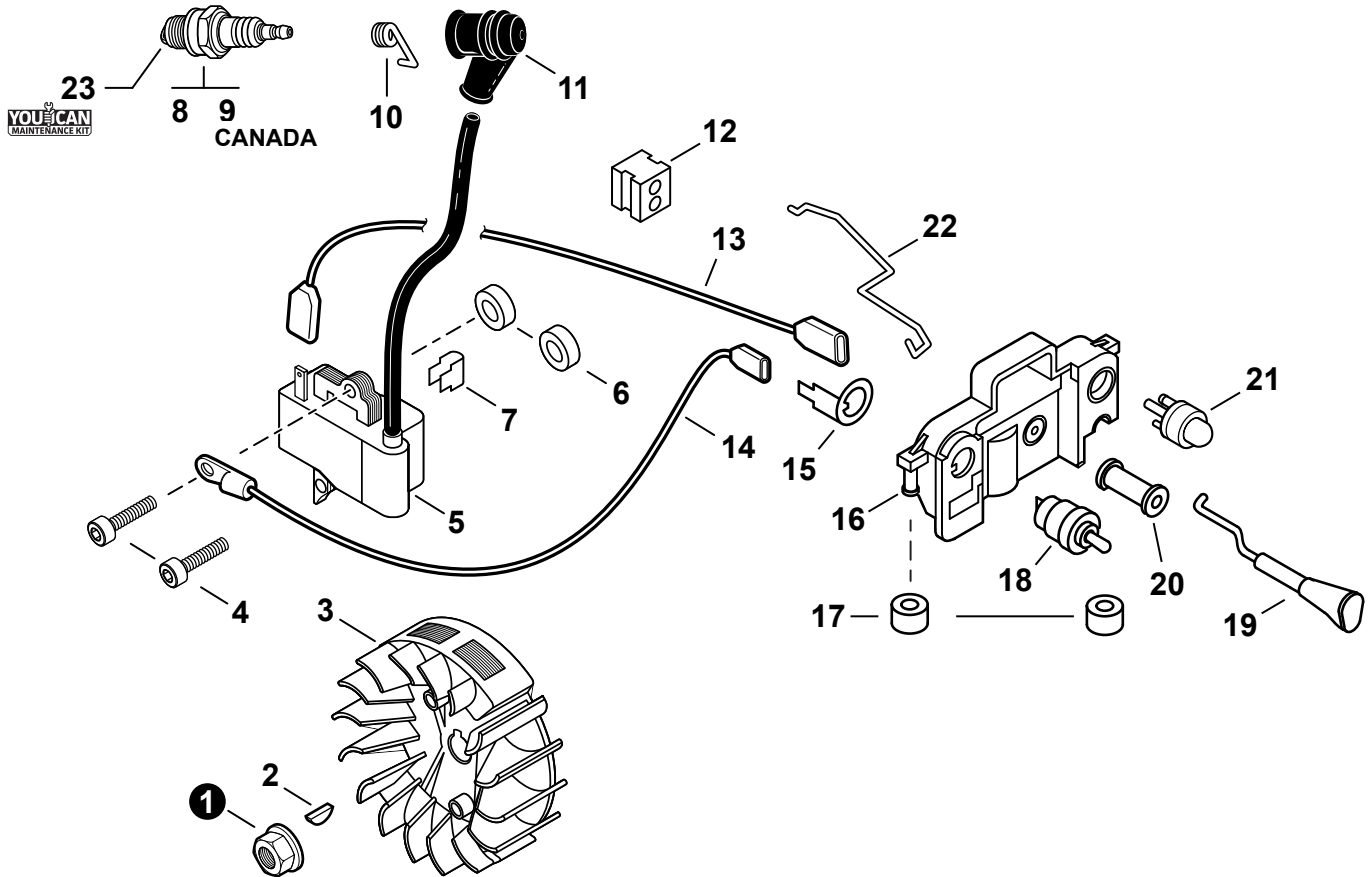


| NO. | PART NUMBER | QTY. | DESCRIPTION            | DESCRIPCIÓN                |
|-----|-------------|------|------------------------|----------------------------|
| 1   | 90022004008 | 2    | SCREW 4x8              | TORNILLO 4x8               |
| 2   | A313001120  | 1    | GUIDE, EXHAUST         | GUÍA DE ESCAPE             |
| 3   | A310000060  | 1    | SCREEN, SPARK ARRESTER | PANTALLA DEL GUARDACHISPAS |
| 4   | 90051600005 | 2    | NUT, FLANGE M5         | TUERCA-BRIDA M5            |
| 5   | A300000830  | 1    | MUFFLER                | SILENCIADOR                |
| 6   | V104000732  | 1    | GASKET, EXHAUST        | EMPAQUETADURA DE ESCAPE    |
| 7   | V203000120  | 2    | BOLT 5x60              | PERNO 5x60                 |

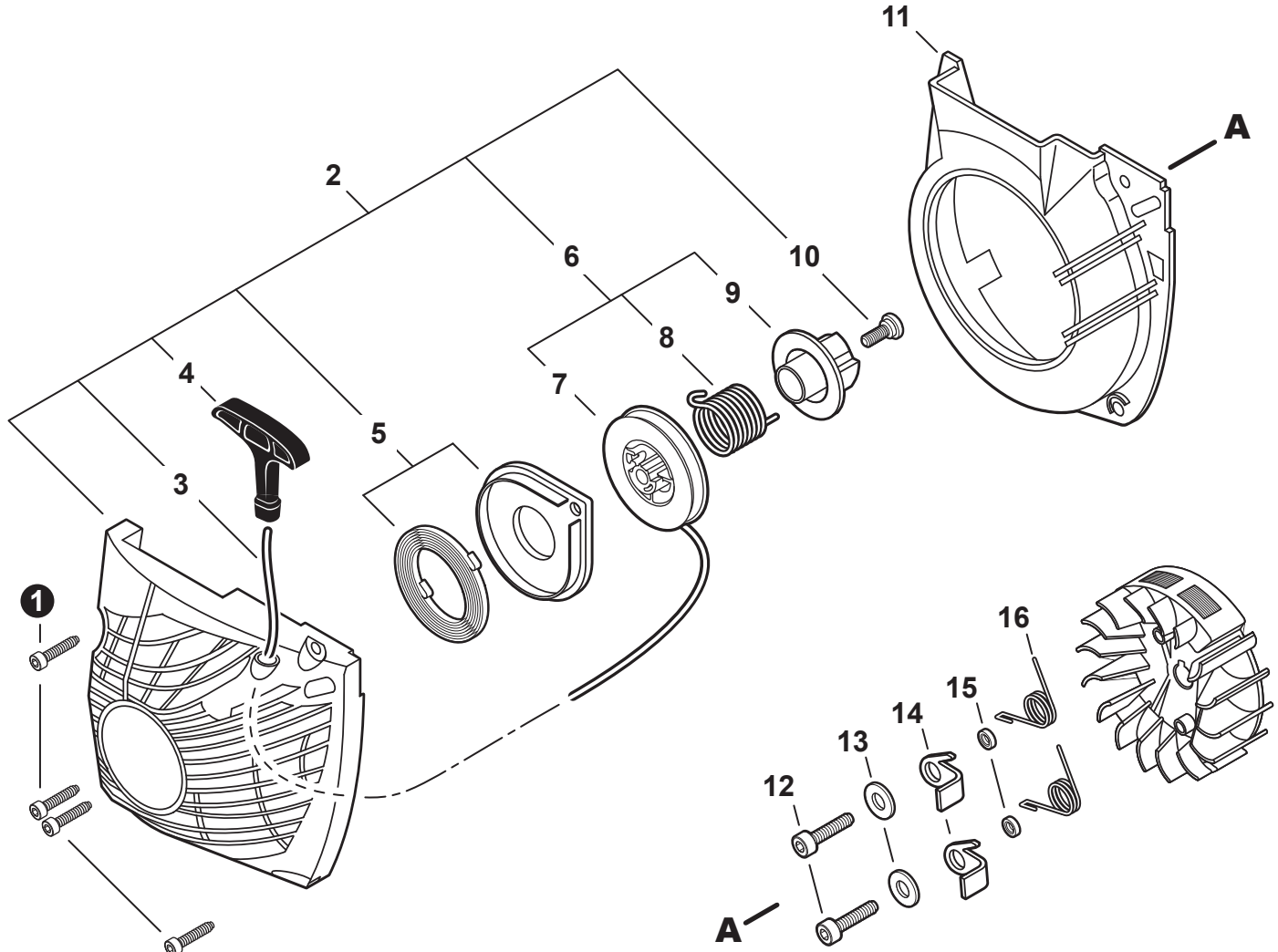


| NO. | PART NUMBER | QTY. | DESCRIPTION            | DESCRIPCIÓN                           |
|-----|-------------|------|------------------------|---------------------------------------|
| 1   | A235000020  | 1    | THUMBSCREW             | TORNILLO DE OREJETAS                  |
| 2   | P021007154  | 1    | COVER ASSY, AIR FILTER | MONTAJE DE CUBIERTA DE FILTRO DE AIRE |
| 3   | 13033832430 | 1    | +GROMMET               | +OJAL                                 |
| 4   | V135000010  | 1    | GROMMET                | OJAL                                  |
| 5   | 90023805020 | 3    | SCREW 5×20             | TORNILLO 5×20                         |
| 6   | A160002290  | 1    | COVER, ENGINE          | CUBIERTA DEL MOTOR                    |
| 7   | A209000000  | 1    | PLATE, INSULATOR       | PLACA AISLANTE                        |
| 8   | P021016441  | 1    | COVER ASSY, ENGINE     | MONTAJE DE CUBIERTA DEL MOTOR         |
| 9   | 43611413930 | 1    | +VENT ASSY             | +VÁLVULA DE RESPIRADERO               |
| 10  | V341000050  | 1    | +SHIELD, HEAT          | +PROTECTOR TÉRMICO                    |
| 11  | 43301119831 | 2    | +STUD, GUIDE BAR 8     | +PERNO PRISIONERO 8                   |
| 12  | C304000010  | 1    | SPIKE, BUMPER          | PARAGOLPES CON PÚAS                   |
| 13  | V203002180  | 2    | BOLT 5×16              | PERNO 5×16                            |
| 14  | V203002180  | 1    | BOLT 5×16              | PERNO 5×16                            |
| 15  | C310000000  | 1    | CHAIN CATCHER          | CAPTURADOR DE CADENA                  |
| 16  | 10091815130 | 2    | CAP, CUSHION           | TAPA DE AMORTIGUADOR                  |
| 17  | 10091533930 | 2    | SCREW 5                | TORNILLO 5                            |
| 18  | 10091060030 | 2    | CUSHION 5              | AMORTIGUADOR 5                        |
| 19  | V420001250  | 2    | CUSHION                | AMORTIGUADOR                          |

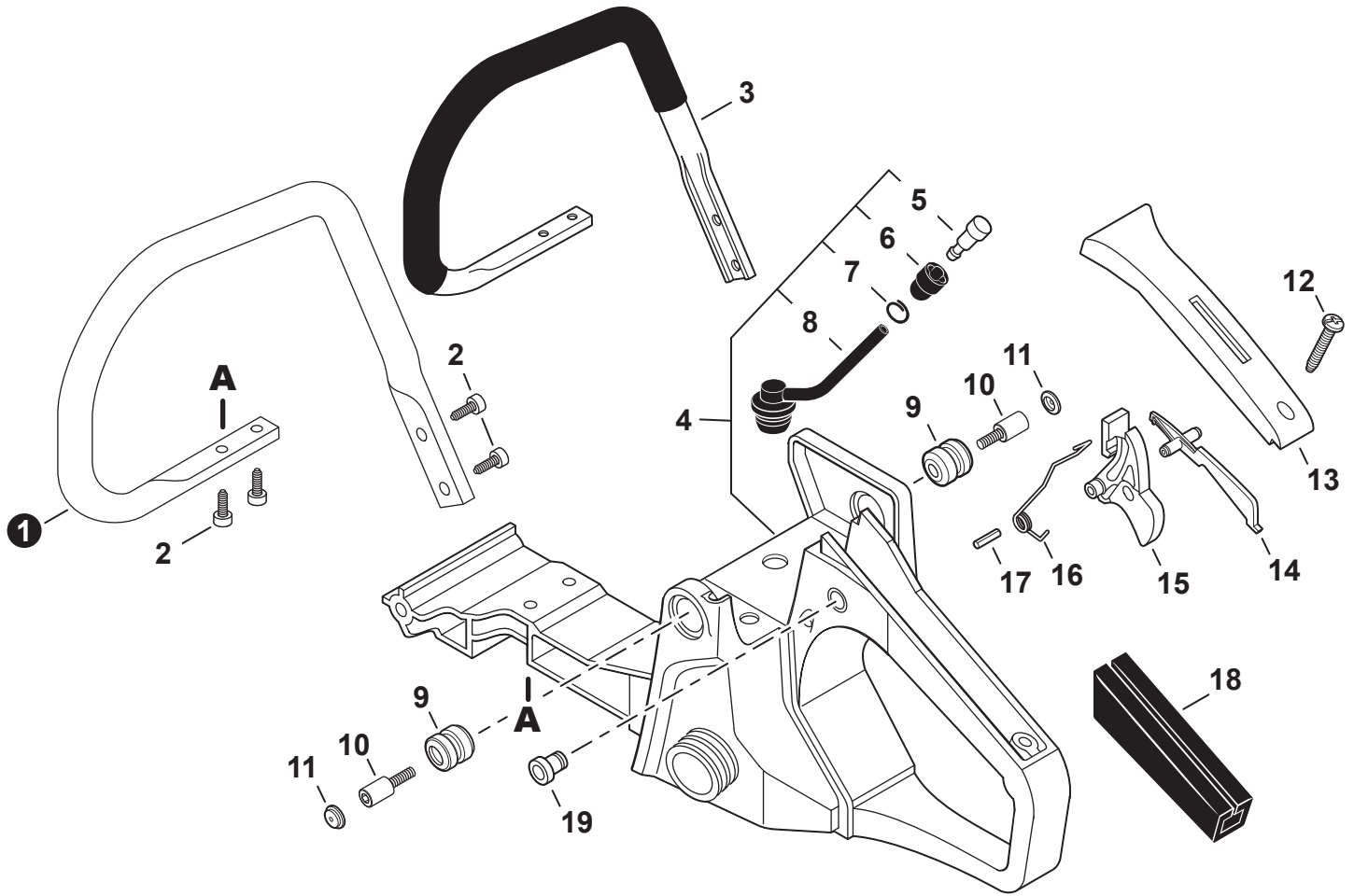




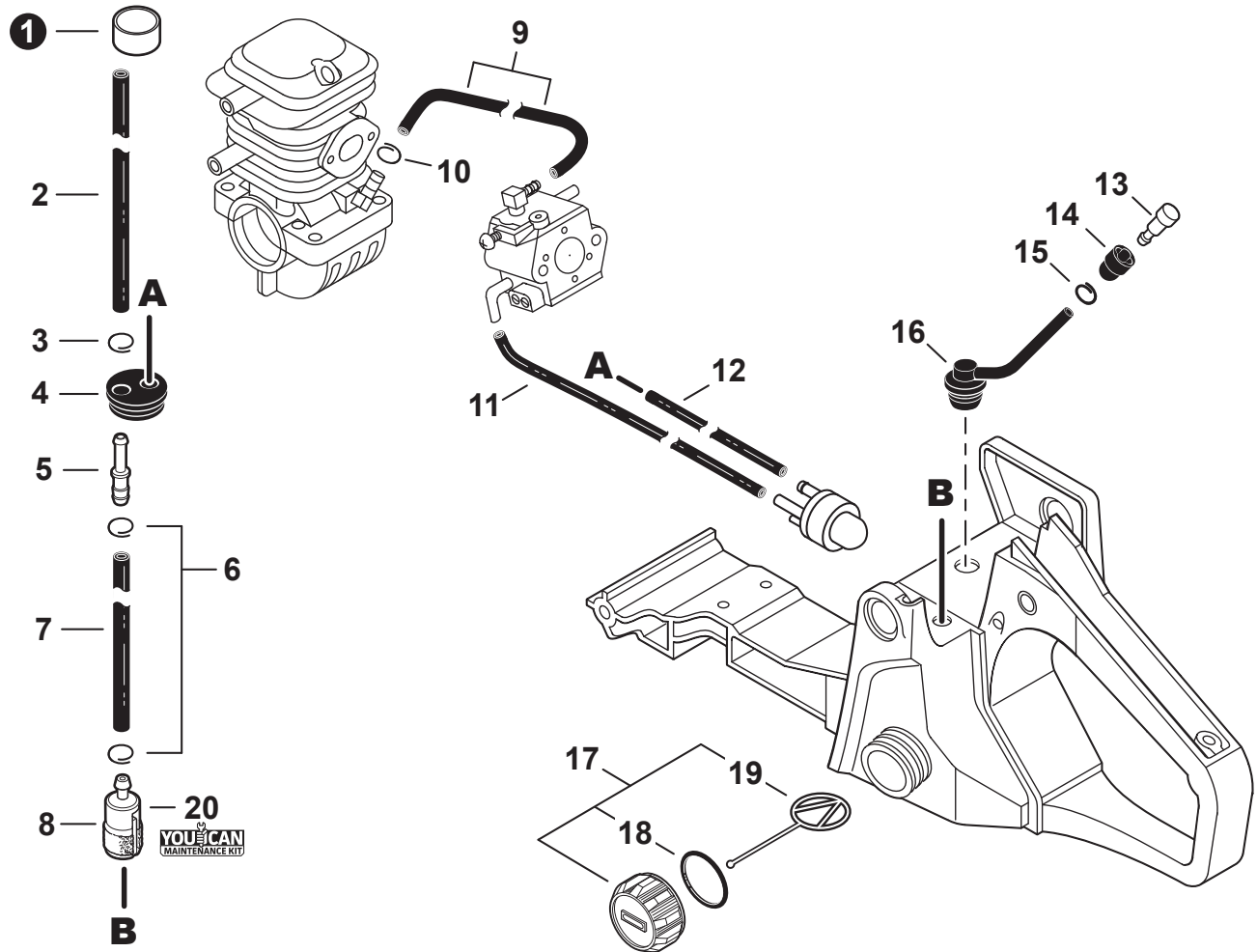
| NO. | PART NUMBER | QTY. | DESCRIPTION            | DESCRIPCIÓN                       |
|-----|-------------|------|------------------------|-----------------------------------|
| 1   | 90051500008 | 1    | NUT, FLANGE M8         | TUERCA-BRIDA M8                   |
| 2   | 10014212330 | 1    | KEY, WOODRUFF          | CHAVETA WOODRUFF                  |
| 3   | A409000272  | 1    | FLYWHEEL               | VOLANTE                           |
| 4   | 90016205020 | 2    | BOLT 5x20              | PERNO 5x20                        |
| 5   | A411000264  | 1    | COIL, IGNITION         | BOBINA DE ENCENDIDO               |
| 6   | 15011716430 | 2    | WASHER 5.2x12x3        | ARANDELA 5.2x12x3                 |
| 7   | V490000310  | 1    | CLIP                   | SUJETADOR                         |
| 8   | 15901019830 | 1    | SPARK PLUG - BPM8Y     | BUJÍA BPM8Y                       |
| 9   | A425000000  | 1    | SPARK PLUG - BPMR8Y    | BUJÍA BPMR8Y                      |
| 10  | A426000010  | 1    | TERMINAL, SPARK PLUG   | TERMINAL DE BUJÍA                 |
| 11  | A427000013  | 1    | CAP, SPARK PLUG        | TAPA DE BUJÍA                     |
| 12  | 15011404920 | 1    | GROMMET, LEAD          | OJAL DE CABLE CONDUCTOR           |
| 13  | V485000680  | 1    | LEAD - IGNITION L= 172 | CABLE DE ENCENDIDO L= 172         |
| 14  | V485000620  | 1    | LEAD - GROUND L= 140   | CABLE DE TIERRA L= 140            |
| 15  | V486000021  | 1    | TERMINAL, GROUND       | TERMINAL A TIERRA                 |
| 16  | A439000145  | 1    | BRACKET, SWITCH        | SOPORTE DE INTERRUPTOR            |
| 17  | 35113439930 | 2    | CUSHION                | AMORTIGUADOR                      |
| 18  | 16340038330 | 1    | SWITCH, ON-OFF         | INTERRUPTOR DE ENCENDIDO-APAGADO  |
| 19  | A241000140  | 1    | ROD, CHOKE             | VARILLA ESTRANGULADOR             |
| 20  | 17881014534 | 1    | GROMMET, CHOKE         | OJAL ESTRANGULADOR                |
| 21  | 12318139130 | 1    | BULB, PURGE            | BULBO DE PURGA                    |
| 22  | C454000100  | 1    | ROD, THROTTLE          | VARILLA ACELERADOR                |
| 23  | 90155Y      | 1    | TUNE-UP KIT - YOUCAN™  | JUEGO DE PUESTA A PUNTO - YOUCAN™ |



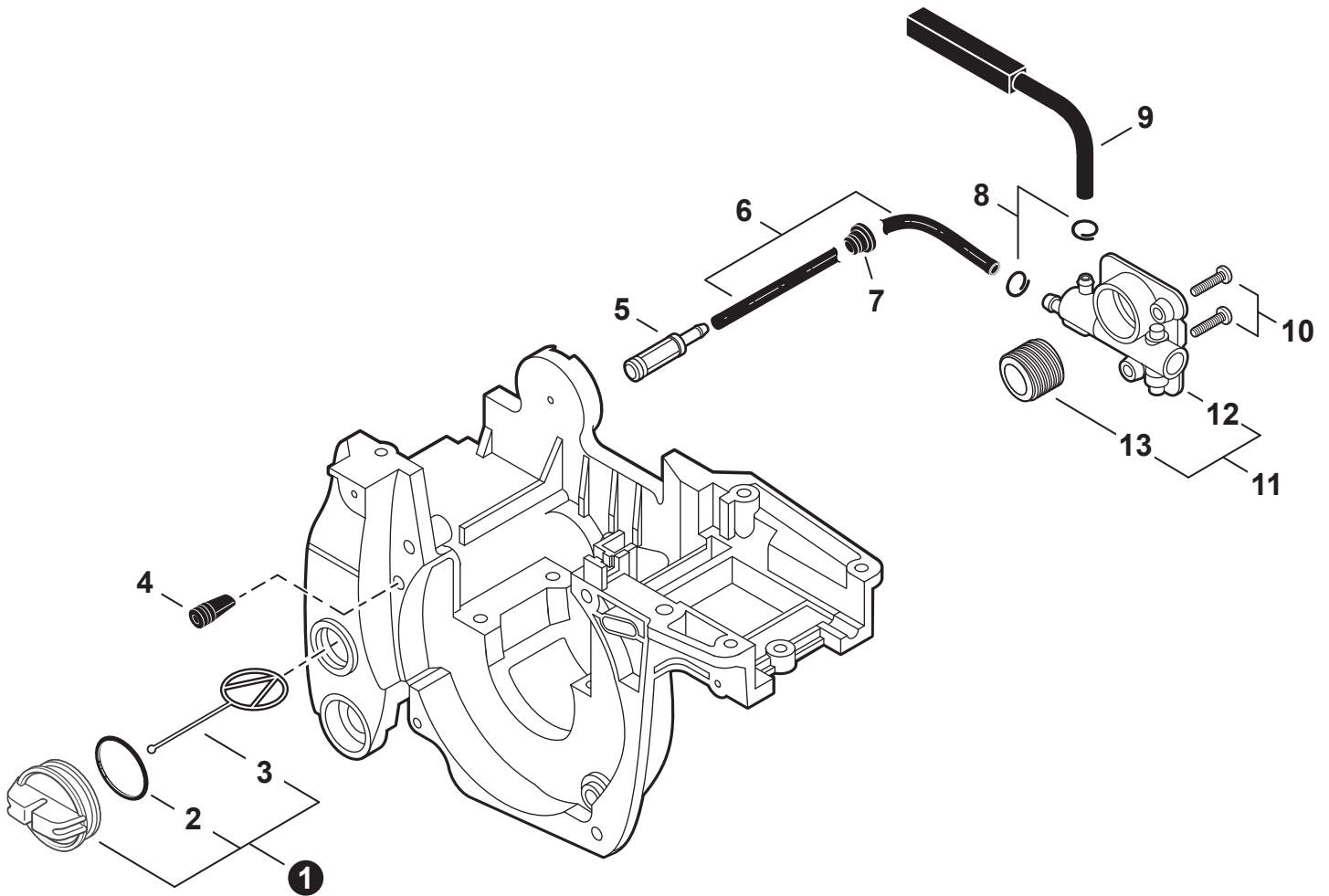
| NO. | PART NUMBER | QTY. | DESCRIPTION                    | DESCRIPCIÓN                    |
|-----|-------------|------|--------------------------------|--------------------------------|
| 1   | V203002190  | 4    | BOLT 5×20                      | PERNO 5×20                     |
| 2   | A051000982  | 1    | STARTER ASSY, RECOIL - I-START | MONTAJE DE ARRANCADOR I-START  |
| 3   | A509000450  | 1    | +ROPE, STARTER 3.5×900         | +CUERDA DEL ARRANCADOR 3.5×900 |
| 4   | P022005891  | 1    | +GRIP, STARTER                 | +AGARRE DEL ARRANCADOR         |
| 5   | P022010440  | 1    | +SPRING SET, RECOIL            | +JUEGO DE RESORTE RECOIL       |
| 6   | P021039550  | 1    | +REEL KIT, ROPE                | +JUEGO DE CARRETE DEL CABLE    |
| 7   | A506000460  | 1    | ++REEL, ROPE                   | ++CARRETE DEL CABLE            |
| 8   | V452001320  | 1    | ++SPRING, TORSION              | ++RESORTE DE TORSIÓN           |
| 9   | A507000110  | 1    | ++PAWL CATCHER                 | ++RECEPTOR DE TRINQUETE        |
| 10  | 17723661830 | 1    | +SCREW                         | +TORNILLO                      |
| 11  | A172002360  | 1    | COVER, FAN                     | CUBIERTA DEL VENTILADOR        |
| 12  | V203000090  | 2    | BOLT 5×14                      | PERNO 5×14                     |
| 13  | 90060300005 | 2    | WASHER 5.5×12×0.8              | ARANDELA 5.5×12×0.8            |
| 14  | A514000050  | 2    | PAWL                           | TRINQUETE                      |
| 15  | 17724704630 | 2    | SPACER 5.2×8×2.1               | ESPACIADOR 5.2×8×2.1           |
| 16  | 17723435430 | 2    | SPRING, TORSION                | RESORTE DE TORSIÓN             |



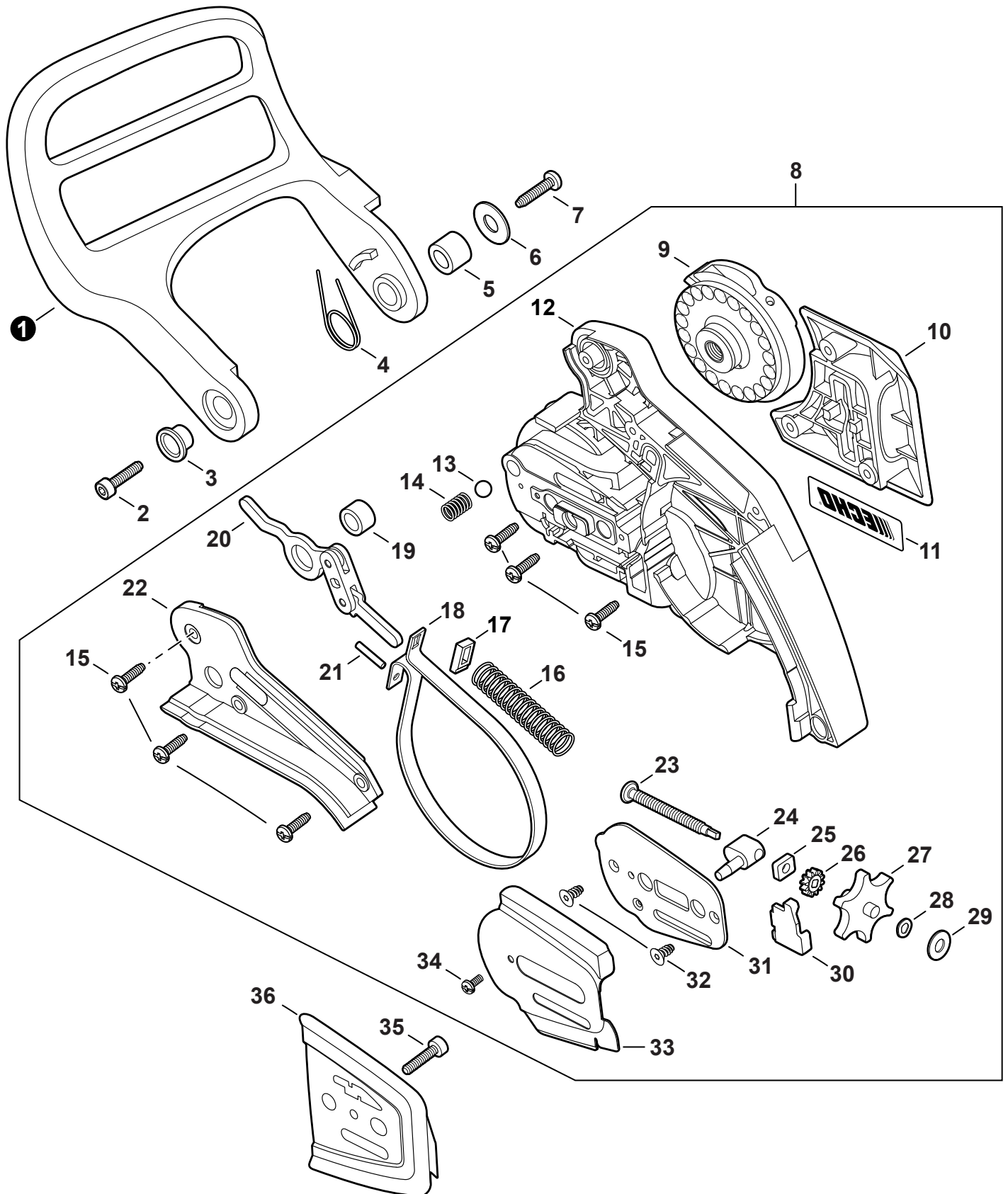
| NO. | PART NUMBER | QTY. | DESCRIPTION              | DESCRIPCIÓN                 |
|-----|-------------|------|--------------------------|-----------------------------|
| 1   | C400001430  | 1    | HANDLE, FRONT            | MANGO DELANTERO             |
| 2   | V203002190  | 4    | BOLT 5×20                | PERNO 5×20                  |
| 3   | C400000431  | 1    | HANDLE, FRONT - ALUMINUM | MANGO DELANTERO - ALUMINIO  |
| 4   | P021016451  | 1    | HANDLE ASSY, REAR        | MONTAJE DE MANGO TRASERO    |
| 5   | A356000031  | 1    | +VENT ASSY               | +VÁLVULA DE RESPIRADERO     |
| 6   | 13132840630 | 1    | +HOLDER, VENT            | +SOPORTE DE RESPIRADERO     |
| 7   | V490001230  | 1    | +CLIP Ø6.5MM             | +SUJETADOR Ø6.5MM           |
| 8   | 13201239931 | 1    | +PIPE, VENT 3×6×65       | +TUBO DE VENTILACIÓN 3×6×65 |
| 9   | V400000051  | 2    | CUSHION 4                | AMORTIGUADOR 4              |
| 10  | V202000700  | 2    | BOLT 4×10×13.5           | PERNO 4×10×13.5             |
| 11  | 10091815130 | 2    | CAP, CUSHION             | TAPA DE AMORTIGUADOR        |
| 12  | 90025304014 | 1    | SCREW 4×14               | TORNILLO 4×14               |
| 13  | 35115535431 | 1    | COVER, HANDLE            | CUBIERTA DE MANGO           |
| 14  | C460000072  | 1    | LOCKOUT, THROTTLE        | SEGURO DEL ACELERADOR       |
| 15  | C450000213  | 1    | TRIGGER, THROTTLE        | GATILLO DEL ACELERADOR      |
| 16  | V452000260  | 1    | SPRING, TORSION          | RESORTE DE TORSIÓN          |
| 17  | 90034540030 | 1    | PIN, SPRING 4×30         | PASADOR ÉLASTICO 4×30       |
| 18  | 35111119830 | 1    | GRIP, HANDLE             | AGARRE                      |
| 19  | V162000040  | 1    | PLUG                     | TAPÓN                       |



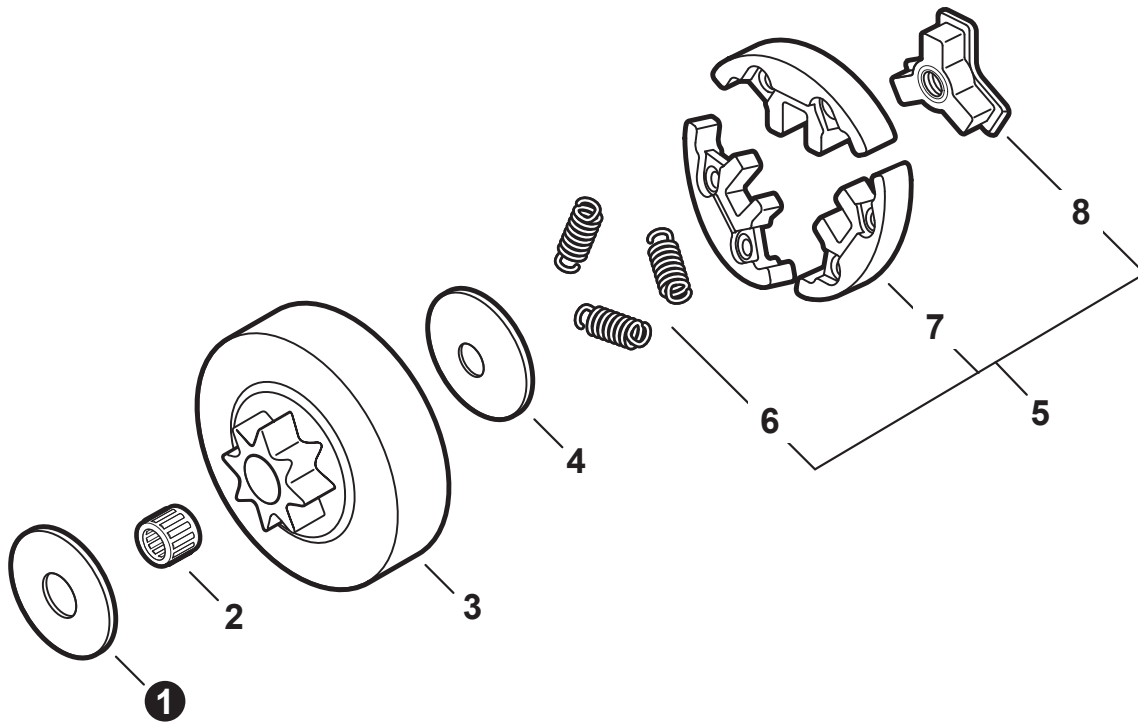
| NO. | PART NUMBER       | QTY.     | DESCRIPTION                  | DESCRIPCIÓN                              |
|-----|-------------------|----------|------------------------------|--|
| 1   | V475003970        | 1        | TUBE 8×9×16                  | TUBO 8×9×16                              |
| 2   | V471003840        | 1        | PIPE, FUEL - 3×5×182 - BLACK | TUBO DE COMBUSTIBLE 3×5×182 NEGRO        |
| 3   | V490001271        | 1        | CLIP 5                       | SUJETADOR 5                              |
| 4   | 13211544330       | 1        | GROMMET, FUEL                | OJAL DE COMBUSTIBLE                      |
| 5   | V186000520        | 1        | CONNECTOR, PIPE Ø5×Ø3.5      | CONECTOR DE TUBO Ø5×Ø3.5                 |
| 6   | V490001240        | 2        | CLIP Ø6                      | SUJETADOR Ø6                             |
| 7   | V471003850        | 1        | PIPE, FUEL - 3×5×68 - BLACK  | TUBO DE COMBUSTIBLE 3×5×68 NEGRO         |
| 8   | A369000420        | 1        | FILTER, FUEL                 | FILTRO DE COMBUSTIBLE                    |
| 9   | V471001600        | 1        | PIPE, PULSE 2.4×6×105        | TUBO DE PULSO 2.4×6×105                  |
| 10  | V490001240        | 1        | CLIP Ø6                      | SUJETADOR Ø6                             |
| 11  | V471001280        | 1        | PIPE 2.4×5×105 BLACK         | TUBO 2.4×5×105 NEGRO                     |
| 12  | V471001470        | 1        | PIPE, FUEL 2.4×5×200 BLACK   | TUBO DE COMBUSTIBLE 2.4×5×200 NEGRO      |
| 13  | A356000031        | 1        | VENT ASSY                    | VÁLVULA DE RESPIRADERO                   |
| 14  | 13132840630       | 1        | HOLDER, VENT                 | SOPORTE DE RESPIRADERO                   |
| 15  | V490001230        | 1        | CLIP Ø6.5MM                  | SUJETADOR Ø6.5MM                         |
| 16  | 13201239931       | 1        | PIPE, VENT 3×6×65            | TUBO DE VENTILACIÓN 3×6×65               |
| 17  | <b>P021037920</b> | <b>1</b> | <b>CAP ASSY, FUEL</b>        | <b>MONTAJE DE TAPA DE COMBUSTIBLE</b>    |
| 18  | V581000610        | 1        | +O-RING 22                   | +JUNTA TÓRICA 22                         |
| 19  | A365000050        | 1        | +CONNECTOR, CAP L= 60mm      | +CONECTOR DE TAPA L= 60mm                |
| 20  | <b>90155Y</b>     | <b>1</b> | <b>TUNE-UP KIT - YOUCAN™</b> | <b>JUEGO DE PUESTA A PUNTO - YOUCAN™</b> |



| NO. | PART NUMBER | QTY. | DESCRIPTION             | DESCRIPCIÓN                       |
|-----|-------------|------|-------------------------|-----------------------------------|
| 1   | P021007630  | 1    | CAP ASSY                | MONTAJE DE TAPA                   |
| 2   | 90072100025 | 1    | +O-RING 25              | +JUNTA TÓRICA 25                  |
| 3   | A365000050  | 1    | +CONNECTOR, CAP L= 60mm | +CONECTOR DE TAPA L= 60mm         |
| 4   | 43611413930 | 1    | VENT ASSY               | VÁLVULA DE RESPIRADERO            |
| 5   | 43620502832 | 1    | FILTER, OIL             | FILTRO DE ACEITE                  |
| 6   | 43721035430 | 1    | PIPE, OIL               | TUBO ACEITE                       |
| 7   | 13211512330 | 1    | GROMMET                 | OJAL                              |
| 8   | V490001230  | 2    | CLIP Ø6.5MM             | SUJETADOR Ø6.5MM                  |
| 9   | 43721039931 | 1    | PIPE, OIL OUTLET        | TUBO DE SALIDA DE ACEITE          |
| 10  | 90023804012 | 2    | SCREW 4x12              | TORNILLO 4x12                     |
| 11  | P021001980  | 1    | AUTO-OILER KIT          | JUEGO DE ENGRASADOR AUTOMÁTICO    |
| 12  | C022000000  | 1    | +AUTO-OILER ASSY        | +MONTAJE DE ENGRASADOR AUTOMÁTICO |
| 13  | V652000010  | 1    | +GEAR, WORM             | +ENGRANAJE DE TORNILLO SIN FIN    |

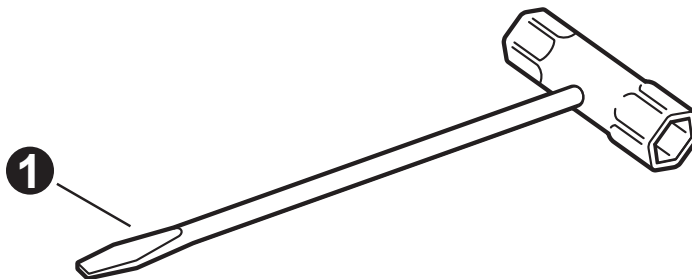


| NO. | PART NUMBER        | QTY.     | DESCRIPTION                             | DESCRIPCIÓN  |
|-----|--------------------|----------|---|--|
| 1   | C320000480         | 1        | LEVER, BRAKE                            | PALANCA DE FRENO   |
| 2   | V203002180         | 1        | BOLT 5×16                               | PERNO 5×16   |
| 3   | V356000300         | 1        | COLLAR 10                               | COLLAR 10  |
| 4   | V452000250         | 1        | SPRING, TORSION                         | RESORTE DE TORSIÓN   |
| 5   | 43311635430        | 1        | SPACER 8×12×9                           | ESPACIADOR 8×12×9  |
| 6   | 17721403930        | 1        | WASHER 4.2×16.5×1                       | ARANDELA 4.2×16.5×1  |
| 7   | V202000070         | 1        | BOLT 4                                  | PERNO 4  |
| 8   | <b>99988802200</b> | <b>1</b> | <b>CHAIN TENSIONING ASSY, TOOL-LESS</b> | <b>MONTAGE DE TENSOR DE CADENA SIN NECESIDAD DE HERRAMIENTAS</b> |
| 9   | J141000170         | 1        | +KNOB, SPROCKET GUARD                   | +PERILLA DEL CUBIERTA DEL PIÑÓN                                  |
| 10  | C713000340         | 1        | +WHEEL COVER                            | +CUBIERTA DE RUEDA   |
| 11  | X502000340         | 1        | +LABEL, ECHO                            | +ETIQUETA ECHO   |
| 12  | C300000910         | 1        | +GUARD, SPROCKET                        | +CUBIERTA DEL PIÑÓN  |
| 13  | V585000060         | 1        | +BALL                                   | +BOLA  |
| 14  | V450001690         | 1        | +SPRING, COMPRESSION                    | +RESORTE DE COMPRESIÓN   |
| 15  | V202000060         | 6        | +SCREW 4×12                             | +TORNILLO 4×12   |
| 16  | V450000070         | 1        | +SPRING, COMPRESSION                    | +RESORTE DE COMPRESIÓN   |
| 17  | V376000450         | 1        | +GUIDE                                  | +GUÍA  |
| 18  | C328000080         | 1        | +BAND, BRAKE                            | +BANDA DE FRENO  |
| 19  | 43311635430        | 1        | +SPACER 8×12×9                          | +ESPACIADOR 8×12×9   |
| 20  | C334000090         | 1        | +CONNECTOR, BRAKE                       | +CONECTOR DE FRENO   |
| 21  | 9305030098         | 1        | +PIN, SPRING 3×9.8                      | +PASADOR ELÁSTICO 3×9.8  |
| 22  | C345000530         | 1        | +COVER, BRAKE                           | +CUBIERTA DE FRENO   |
| 23  | V203002020         | 1        | +SCREW, CHAIN TENSIONER                 | +TORNILLO DEL TENSOR DE CADENA                                   |
| 24  | C309000170         | 1        | +TENSIONER, CHAIN                       | +TENSOR DE CADENA  |
| 25  | V352000280         | 1        | +COLLAR 4                               | +COLLAR  |
| 26  | V650000590         | 1        | +GEAR, SPUR                             | +ENGRANAJE RECTO   |
| 27  | V650000600         | 1        | +WHEEL, TENSION                         | +RUEDA   |
| 28  | V346000130         | 1        | +WASHER, WAVE                           | +ARANDELA DE PRESION   |
| 29  | V303000360         | 1        | +WASHER 5                               | +ARANDELA 5  |
| 30  | C233000080         | 1        | +COVER, GEAR                            | +CUBIERTA DE ENGRANAJE   |
| 31  | V150003241         | 1        | +PLATE, EYE                             | +PLACA   |
| 32  | V251000140         | 2        | +SCREW 3                                | +TORNILLO 3  |
| 33  | C305000420         | 1        | +PLATE, GUIDE - OUTER                   | +PLACA GUÍA - EXTERNO  |
| 34  | 90022003006        | 1        | +SCREW 3×6                              | +TORNILLO 3×6  |
| 35  | V202000060         | 1        | SCREW 4×12                              | TORNILLO 4×12  |
| 36  | 43301239930        | 1        | PLATE, GUIDE - INNER                    | PLACA GUÍA - INTERNA   |



| NO. | PART NUMBER       | QTY.     | DESCRIPTION              | DESCRIPCIÓN                               |
|-----|-------------------|----------|--------------------------|---|
| 1   | 17501439131       | 1        | WASHER 10.2×24.5×1.2     | ARANDELA 10.2×24.5×1.2                    |
| 2   | V555000170        | 1        | BEARING, NEEDLE 10       | COJINETE DE AGUJAS 10                     |
| 3   | A556000401        | 1        | DRUM, CLUTCH             | TAMBOR EMBRAGUE                           |
| 4   | 17501939430       | 1        | PLATE, CLUTCH            | PLACA DE EMBRAGUE                         |
| 5   | <b>A056000181</b> | <b>1</b> | <b>CLUTCH ASSY</b>       | <b>MONTAJE DE EMBRAGUE</b>                |
| 6   | V451000500        | 3        | +SPRING, TENSION         | +RESORTE DE TENSION                       |
| 7   | P021007051        | 1        | +SHOE SET, CLUTCH (3PCS) | +JUEGO DE ZAPATA DE EMBRAGUE (Cantidad 3) |
| 8   | A552000070        | 1        | +HUB, CLUTCH             | +CUBO DEL EMBRAGUE                        |

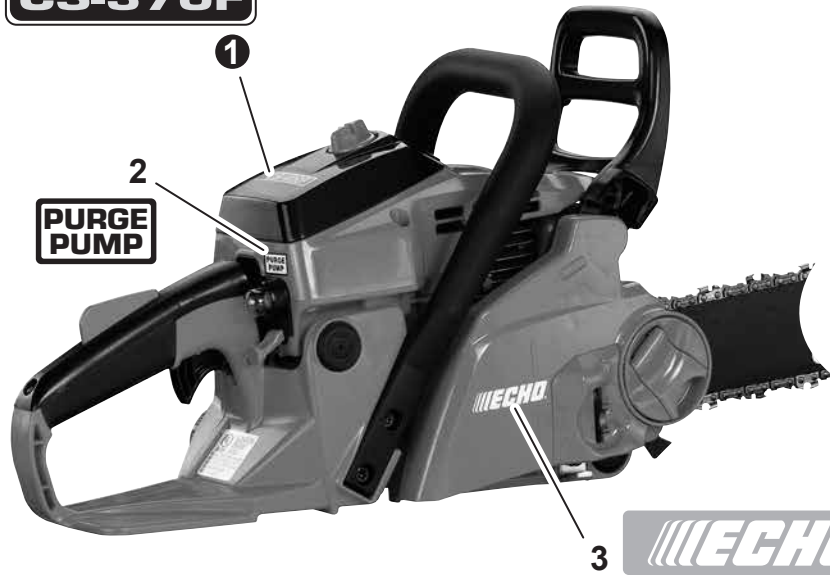
**Tools**  
Herramientas



| NO. | PART NUMBER | QTY. | DESCRIPTION           | DESCRIPCIÓN             |
|-----|-------------|------|-----------------------|-------------------------|
| 1   | X602000080  | 1    | T-WRENCH 13×19 L= 180 | LLAVE EN T 13×19 L= 180 |



**CS-370F**



**REPLACEMENT BAR AND CHAIN**

| GUIDE BAR*<br>PART NO. | CHAIN*<br>PART NO. |
|------------------------|--------------------|
| 14" 14A0CD3752         | 91PX52CQ           |
| 16" 16A0CD3757         | 91PX57CQ           |
| 18" 18A0CD3762         | 91PX62CQ           |

\*Or equivalent  
Note: There may be other replacement components for achieving kickback protection. For details, please refer to the bar and chain combination sheet shown in the instruction manual.

4  
5  
CANADA

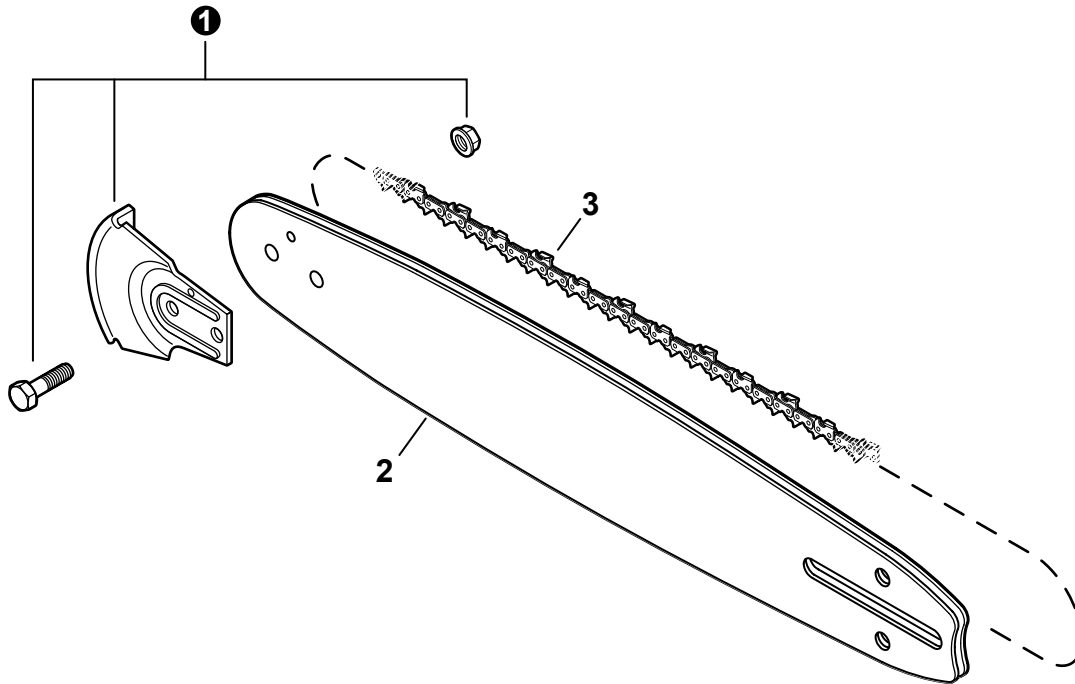
**REPLACEMENT BAR AND CHAIN  
REPLACEMENT DU GUIDE ET DE LA CHAÎNE**

| GUIDE BAR P.NO.<br>GUIDE PIÈCE NO. | CHAIN P.NO.<br>CHAÎNE PIÈCE NO. | CKA  |
|------------------------------------|---------------------------------|------|
| 14" 14A0CD3752                     | 91PX52CQ                        | 12.9 |
| 16" 16A0CD3757                     | 91PX57CQ                        | 11.6 |
| 18" 18A0CD3762                     | 91PX62CQ                        | 15.2 |

CKA means Computed Kickback Angle  
CKA Signifie angle de rebondissement calculé  
Note: There may be other replacement components for achieving kickback protection. For details, please refer to the bar and chain combination sheet shown in the instruction manual.  
REMARQUE: Il y peut y avoir d'autres composantes de remplacement qui protègent en cas de rebondissement. Pour plus de détails se référer à la feuille sur les combinaisons de guide et de chaîne du manuel de l'utilisateur.



| NO. | PART NUMBER | QTY. | DESCRIPTION                 | DESCRIPCIÓN                      |
|-----|-------------|------|-----------------------------|----------------------------------|
| 1   | X503012840  | 1    | LABEL - MODEL CS-370F       | ETIQUETA MODELO CS-370F          |
| 2   | 89016739230 | 1    | LABEL, PURGE PUMP           | ETIQUETA DE BOMBILLA DE PURGA    |
| 3   | X502000340  | 1    | LABEL, ECHO                 | ETIQUETA ECHO                    |
| 4   | X524001641  | 1    | LABEL, BAR & CHAIN          | ETIQUETA - BARRA Y CADENA        |
| 5   | X524001721  | 1    | LABEL, BAR & CHAIN - CANADA | ETIQUETA - BARRA Y CADENA CANADÁ |
| 6   | X505006660  | 1    | LABEL, CAUTION              | ETIQUETA DE PRECAUCIÓN           |
| 7   | X502000410  | 1    | LABEL, ECHO                 | ETIQUETA ECHO                    |
| 8   | 89015737330 | 1    | LABEL, STOP                 | ETIQUETA PARADA                  |



| NO. | PART NUMBER | QTY. | DESCRIPTION                 | DESCRIPCIÓN                      |
|-----|-------------|------|-----------------------------|----------------------------------|
| 1   | 2894902     | 1    | KICK GUARD KIT              | PROTECTORAS DE PUNTA DE BARRA    |
| 2   | 14A0CD3752C | 1    | GUIDE BAR, 14" DOUBLE-GUARD | BARRA DE GUÍA 35 cm DOUBLE-GUARD |
| 2   | 16A0CD3757C | 1    | GUIDE BAR, 16" DOUBLE-GUARD | BARRA DE GUÍA 40cm DOUBLE-GUARD  |
| 2   | 18A0CD3762C | 1    | GUIDE BAR, 18" DOUBLE-GUARD | BARRA DE GUÍA 45cm DOUBLE-GUARD  |
| 3   | 91PX52CQ    | 1    | SAW CHAIN 14"               | CADENA 35 cm                     |
| 3   | 91PX57CQ    | 1    | SAW CHAIN 16"               | CADENA 40cm                      |
| 3   | 91PX62CQ    | 1    | SAW CHAIN 18"               | CADENA 45 cm                     |

## Maintenance Kits

Juegos de mantenimiento

| NO. | PART NUMBER | QTY. | DESCRIPTION             | DESCRIPCIÓN                       |
|-----|-------------|------|-------------------------|-----------------------------------|
| 1   | 90155Y      | 1    | TUNE-UP KIT - YOUCAN™   | JUEGO DE PUESTA A PUNTO - YOUCAN™ |
| 2   | 13030039730 | 1    | +FILTER, HEAVY DUTY AIR | +FILTRO DE AIRE - SERVICIO PESADO |
| 3   | A369000470  | 1    | +FILTER, FUEL           | +FILTRO DE COMBUSTIBLE            |
| 4   | A425000000  | 1    | +SPARK PLUG - BPMR8Y    | +BUJÍA BPMR8Y                     |

| NO. | PART NUMBER | QTY. | DESCRIPTION                           | DESCRIPCIÓN  |
|-----|-------------|------|---------------------------------------|--|
| 1   | 90014       | 1    | PIPE, BULK - 3×5mm BLACK              | TUBO AL POR MAYOR 3×5mm NEGRO                        |
| 2   | 90015       | 1    | PIPE, BULK - 3×6mm BLACK              | TUBO AL POR MAYOR 3×6mm NEGRO                        |
| 3   | 90016       | 1    | PIPE, BULK - 3×7mm BLACK              | TUBO AL POR MAYOR 3×7mm NEGRO                        |
| 4   | 90017       | 1    | PIPE, BULK - 3×6mm CLEAR              | TUBO AL POR MAYOR 3×6mm TRANSPARENTE                 |
| 5   | 90018       | 1    | PIPE, BULK - 2×4mm CLEAR              | TUBO AL POR MAYOR 2×4mm TRANSPARENTE                 |
| 6   | 99944435000 | 1    | BULK STARTER ROPE - Ø 2.3 mm (3/32")  | CUERDA DEL ARRANCADOR AL POR MAYOR Ø 2.3 mm (3/32")  |
| 7   | 99944440000 | 1    | BULK STARTER ROPE - Ø 3.0 mm (1/8")   | CUERDA DEL ARRANCADOR AL POR MAYOR Ø 3.0 mm (1/8")   |
| 8   | 99944445000 | 1    | BULK STARTER ROPE - Ø 3.5 mm (9/64")  | CUERDA DEL ARRANCADOR AL POR MAYOR Ø 3.5 mm (9/64")  |
| 9   | 99944450000 | 1    | BULK STARTER ROPE - Ø 4.0 mm (5/32")  | CUERDA DEL ARRANCADOR AL POR MAYOR Ø 4.0 mm (5/32")  |
| 10  | 99944455000 | 1    | BULK STARTER ROPE - Ø 4.4 mm (11/64") | CUERDA DEL ARRANCADOR AL POR MAYOR Ø 4.4 mm (11/64") |
| 11  | 99944460000 | 1    | BULK STARTER ROPE - Ø 4.8 mm (3/16")  | CUERDA DEL ARRANCADOR AL POR MAYOR Ø 4.8 mm (3/16")  |