

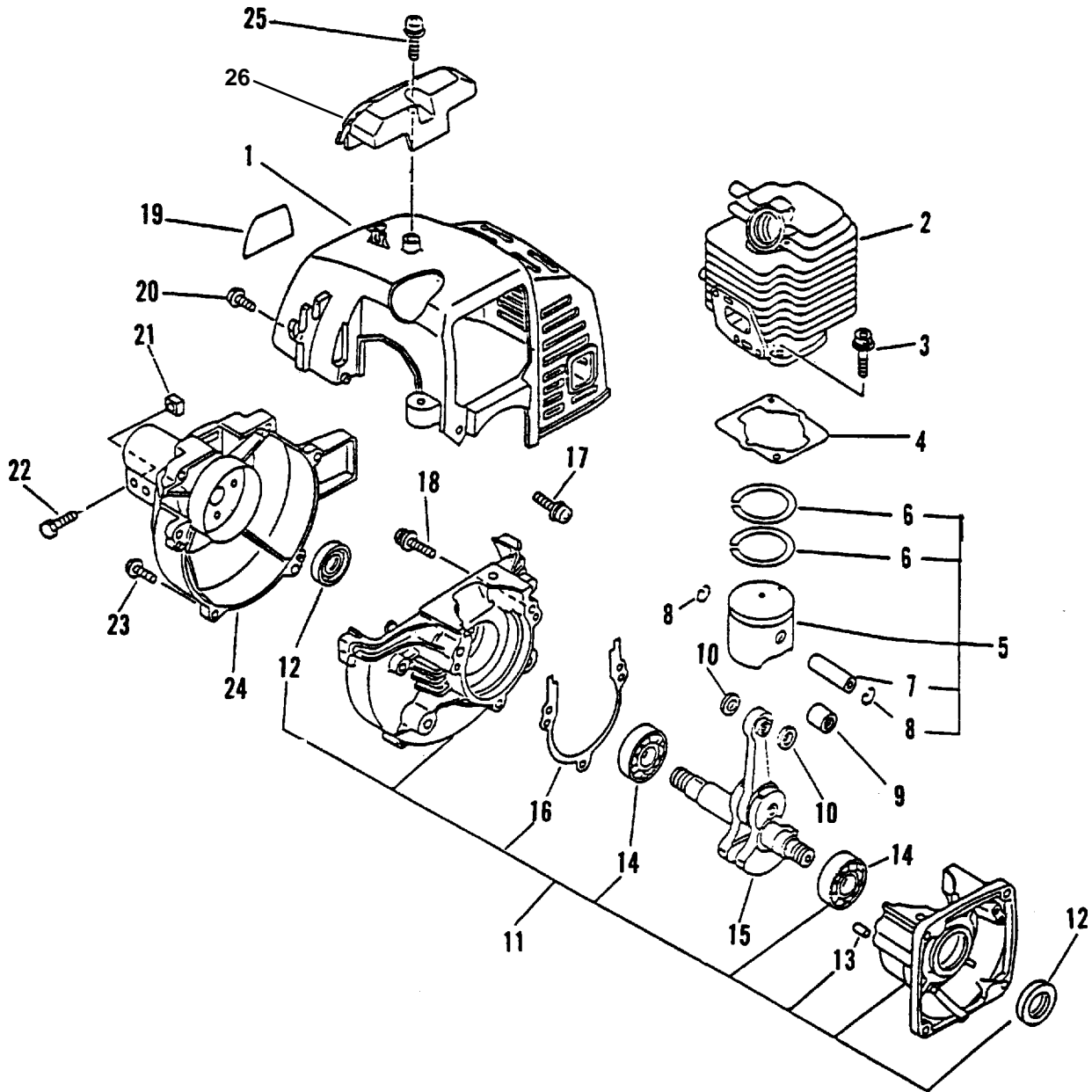


**GRASS TRIMMER
PARTS CATALOG
MODEL GT-2000
TYPE 1E
SERIAL NUMBER 001001 & UP**

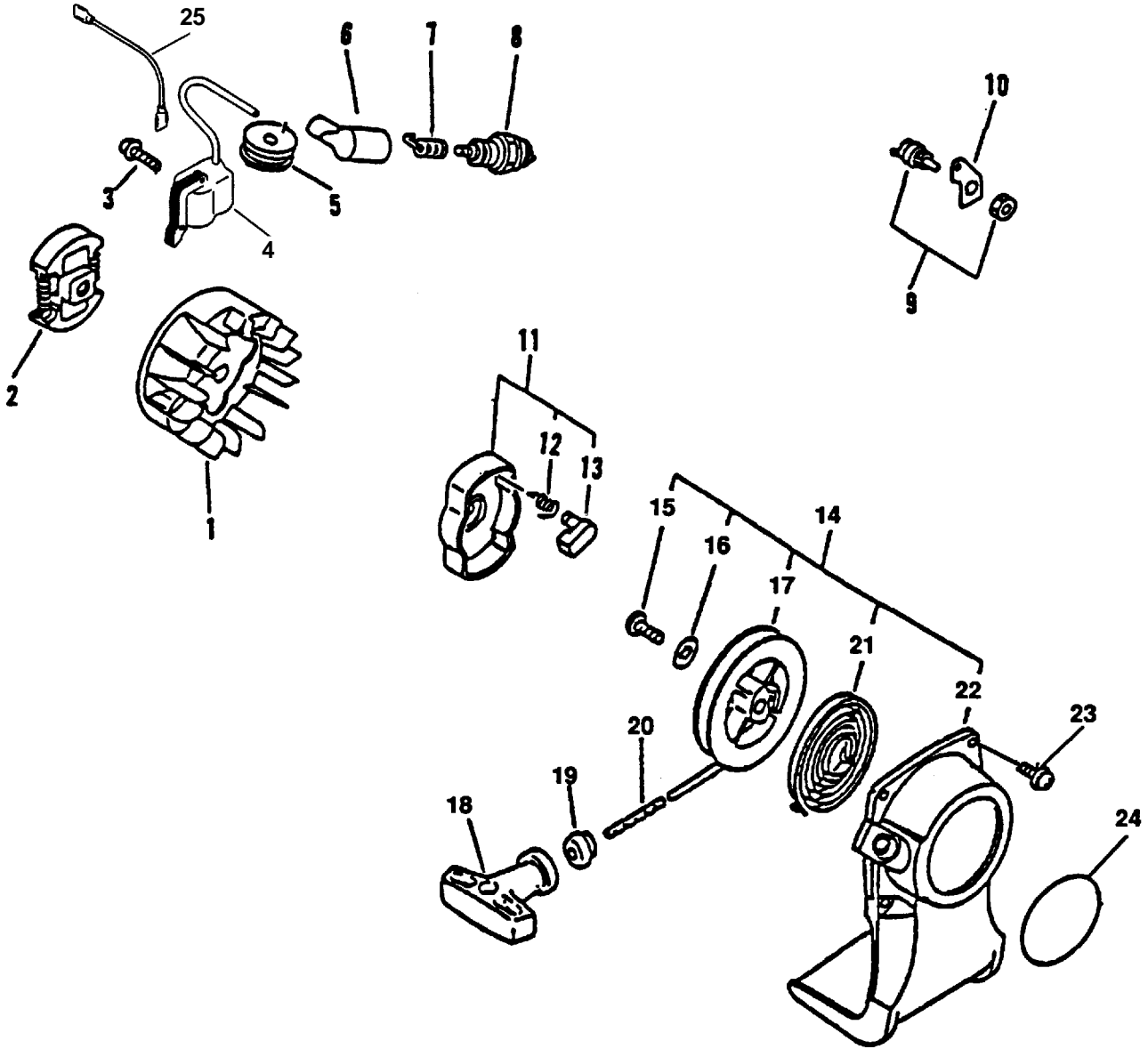
**ECHO, INCORPORATED
400 OAKWOOD ROAD
LAKE ZURICH, IL 60047**

**99922202768
08/01**

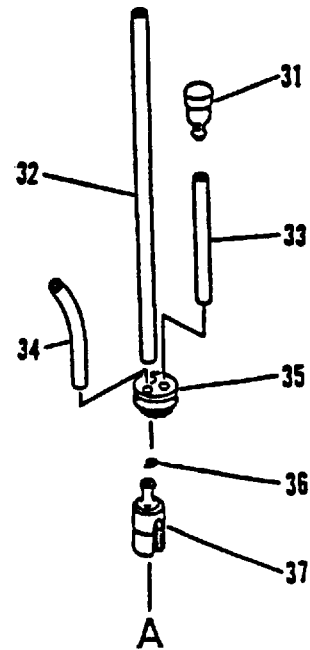
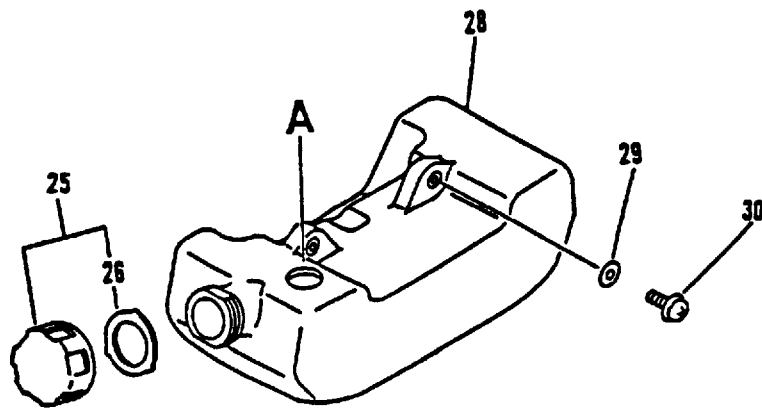
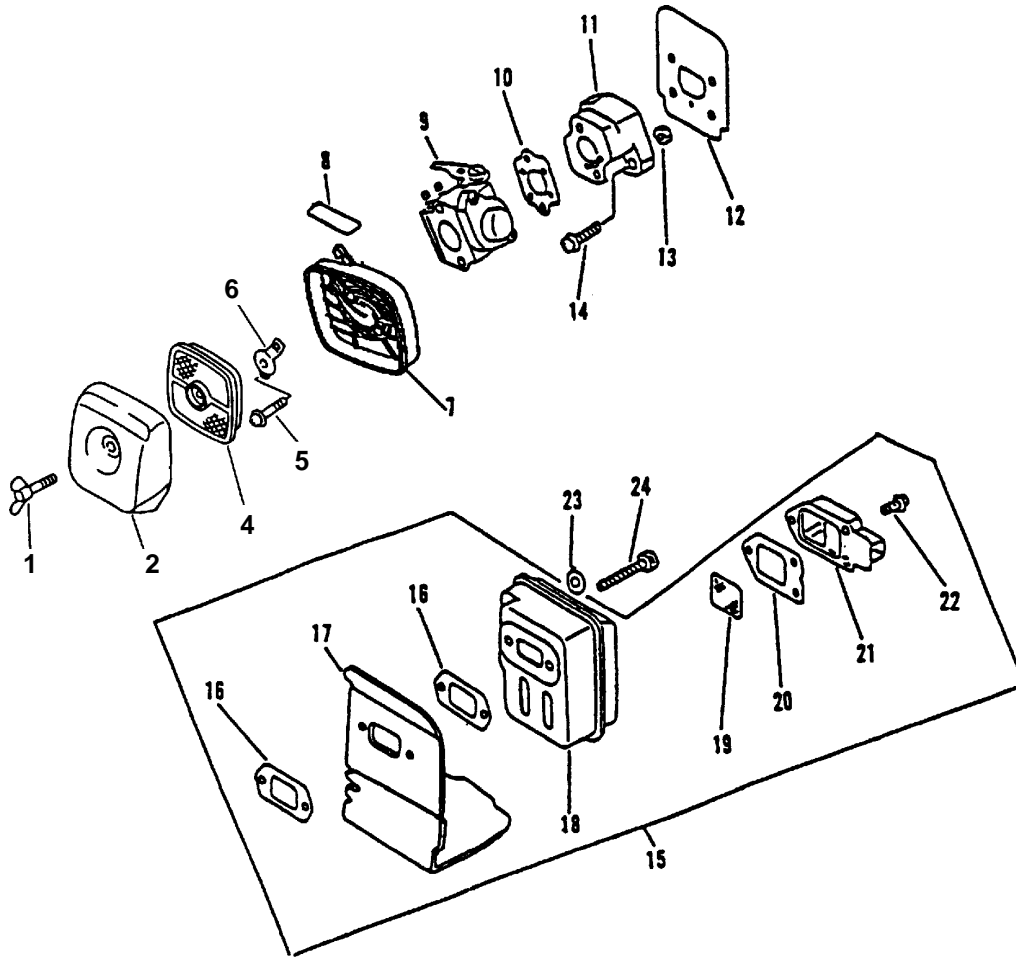
GT-2000 TYPE 1E ENGINE, EXTERNAL/INTERNAL/CRANKCASE/FAN HOUSING/COVER



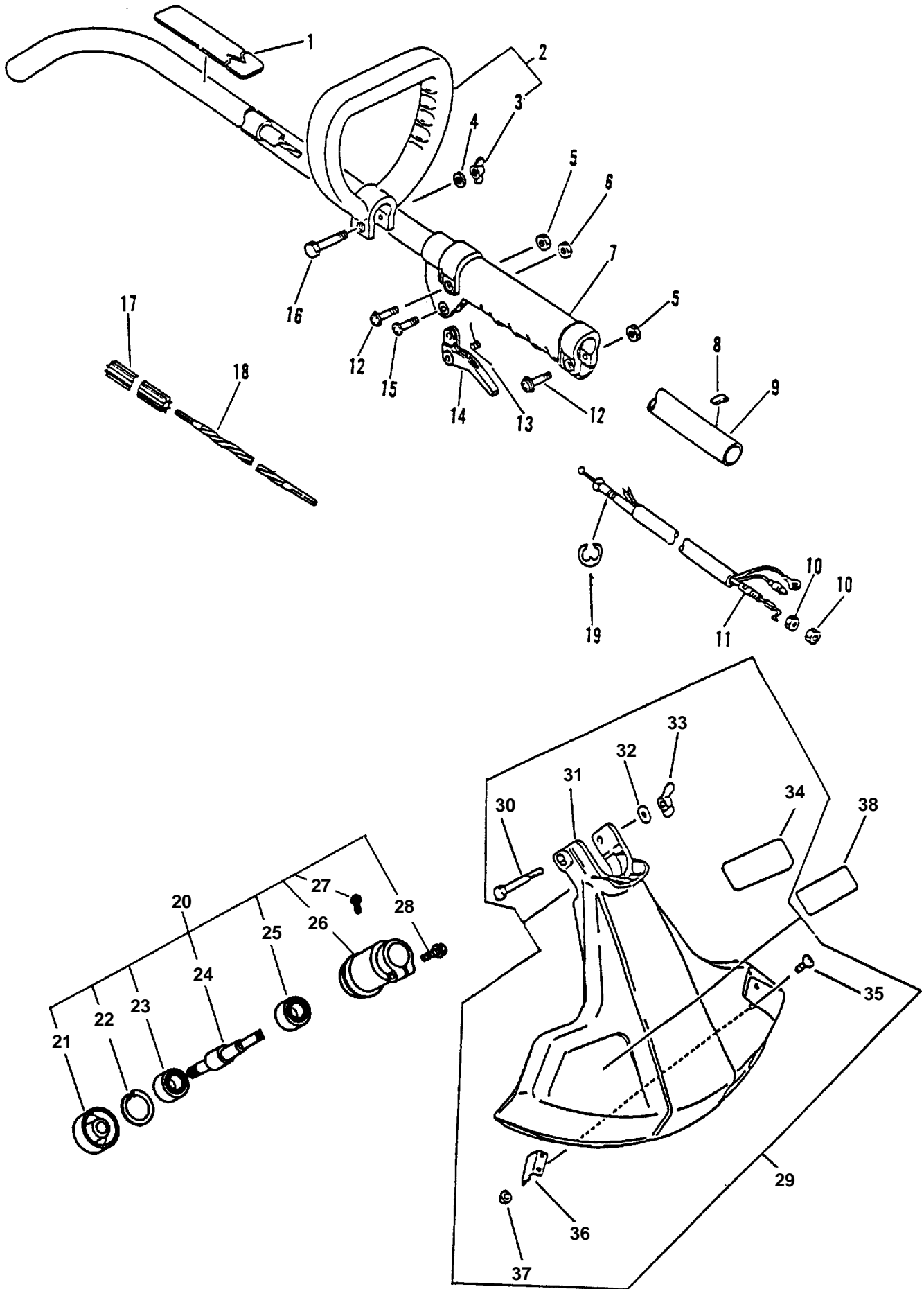
KEY	PART NUMBER	QTY	DESCRIPTION	REMARKS
1	10151448730	1	COVER, CYLINDER	
2	10101146830	1	CYLINDER	
3	90016205022	2	BOLT, H.S. 5X22	
4	10101044332	1	GASKET, CYLINDER BASE	USE KIT 88900042031
5	10000048730	1	PISTON KIT	INCLUDES ITEMS 6, 7, 8 & 10
6	10001105330	2	RING, PISTON	
7	10001311520	1	PIN, PISTON	
8	10001504630	2	CIRCLIP, PISTON PIN	
9	10001251230	1	BEARING, NEEDLE	
10	10001411520	2	SPACER, PISTON PIN	
11	-----	1	CRANKCASE KIT (USE SB1026)	INCLUDES ITEMS 13, 14, 15 & 17
12	10021242030	2	OILSEAL	
13	10021503930	2	PIN, DOWEL	
14	90081036201	2	BEARING, BALL 6201	
15	-----	1	CRANKSHAFT (USE SB1026)	
16	-----	1	GASKET, CRANKCASE	USE KIT 88900042031
17	90025304012	2	SCREW 4X12	
18	90016205028	3	SCREW 5X28	
19	89011548730	1	LABEL, MODEL	
20	90025304016	2	SCREW 4X16	
21	90056500005	2	NUT 5	
22	90014205028	2	BOLT 5X28	
23	90023804018	4	SCREW 4X18	
24	10150348730	1	COVER, FAN (INCLUDES CLUTCH DRUM, BEARINGS & CIRCLIP)	
25	90025305016	1	SCREW 5X16	
26	15991248630	1	GUARD, TOP	
ENGINE REPOWER				
	SB1026	1	SHORT BLOCK	INCLUDES FACTORY ASSEMBLED CYLINDER, CRANKCASE, PISTON, CRANKSHAFT, BEARINGS AND SEALS.
OPTIONAL				
	88900042031	1	GASKET KIT	
	10101044332	1	GASKET, CYLINDER BASE	
	-----	1	GASKET, CRANKCASE	
	13001642031	1	GASKET, INTAKE	
	13001042031	1	GASKET, INTAKE	
	14586642031	1	GASKET, MUFFLER LID	
	14551042031	2	GASKET, MUFFLER	



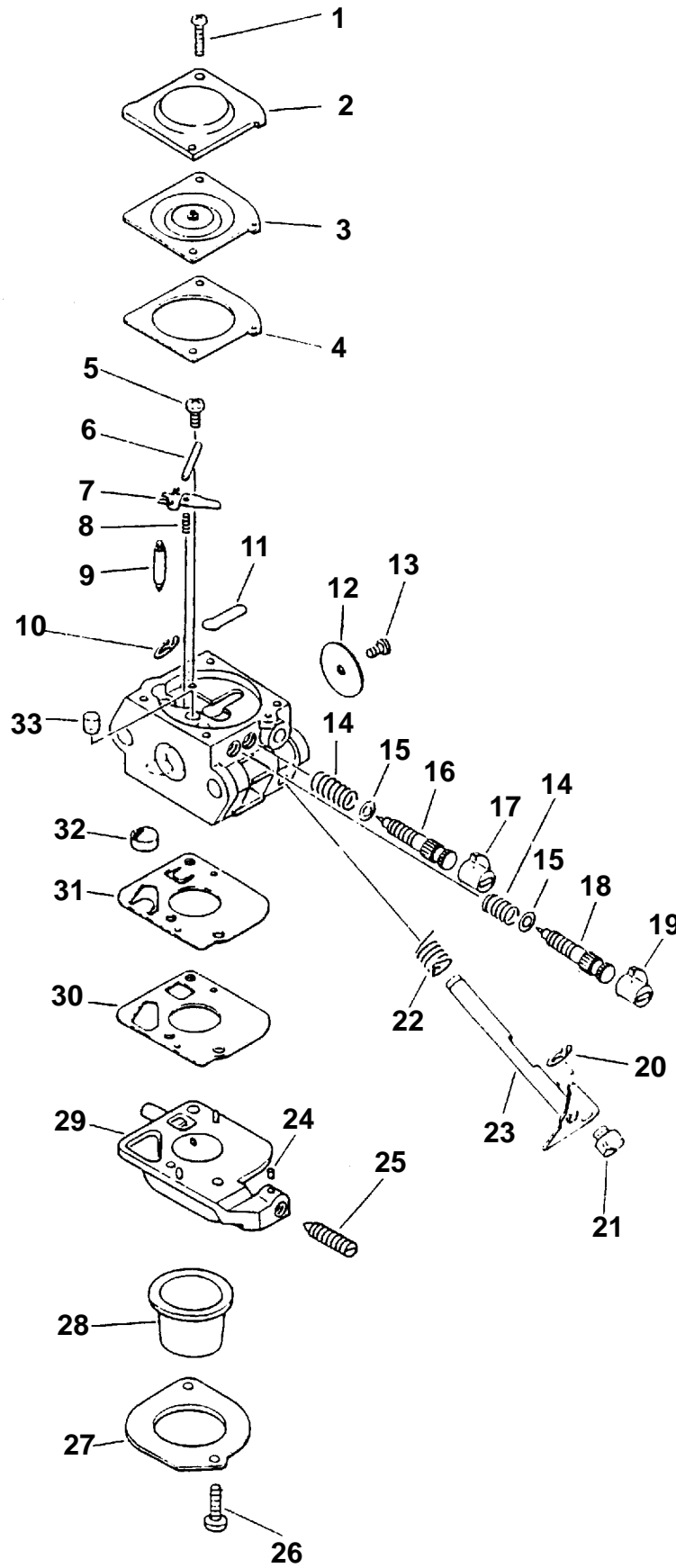
KEY	PART NUMBER	QTY	DESCRIPTION	REMARKS
1	15680144730	1	FLYWHEEL	S/N 001001 - 005037
1	15680109660	1	FLYWHEEL	S/N 005038 & UP
2	17500049030	1	CLUTCH ASY	
3	90016204022	2	SCREW 4X22	
4	15660152130	1	COIL, IGNITION	S/N 001001 - 005037
4	15662609660	1	COIL, IGNITION	S/N 005038 & UP
5	15011244330	1	GROMMET, H.T. CORD	
6	15901201620	1	CAP, SPARK PLUG	
7	15901103432	1	COIL, SPARK PLUG CAP	
8	15901010630	1	PLUG, SPARK BPM-7A	
8	15901010230	1	PLUG, SPARK BPMR-7A	CANADIAN MODELS ONLY
9	16340003460	1	SWITCH, IGNITION	
10	16381044330	1	BRACKET, SWITCH	
11	17720244330	1	PAWL ASY, STARTER	INCLUDES ITEMS 12 & 13
12	17723442030	1	SPRING, RETURN	
13	17721844330	1	PAWL, STARTER	
14	17720044334	1	STARTER ASY	INCLUDES ITEMS 15 - 21
15	17723644330	1	SCREW	
16	17721442030	1	WASHER	
17	17721542030	1	DRUM, STARTER	
18	17722806530	1	GRIP, STARTER	
19	17722742030	1	GUIDE, ROPE	
20	-----	1	ROPE, STARTER	USE BULK ROPE 999444 00040 DIA. 3mm (.12 IN.) X 890 mm (35 IN.)
21	17722042030	1	SPRING, REWIND	
22	17723244332	1	CASE, STARTER	
23	90016204016	2	SCREW 4X16	
24	89011849130	1	LABEL, ECHO	
25	16202152130	1	LEAD	



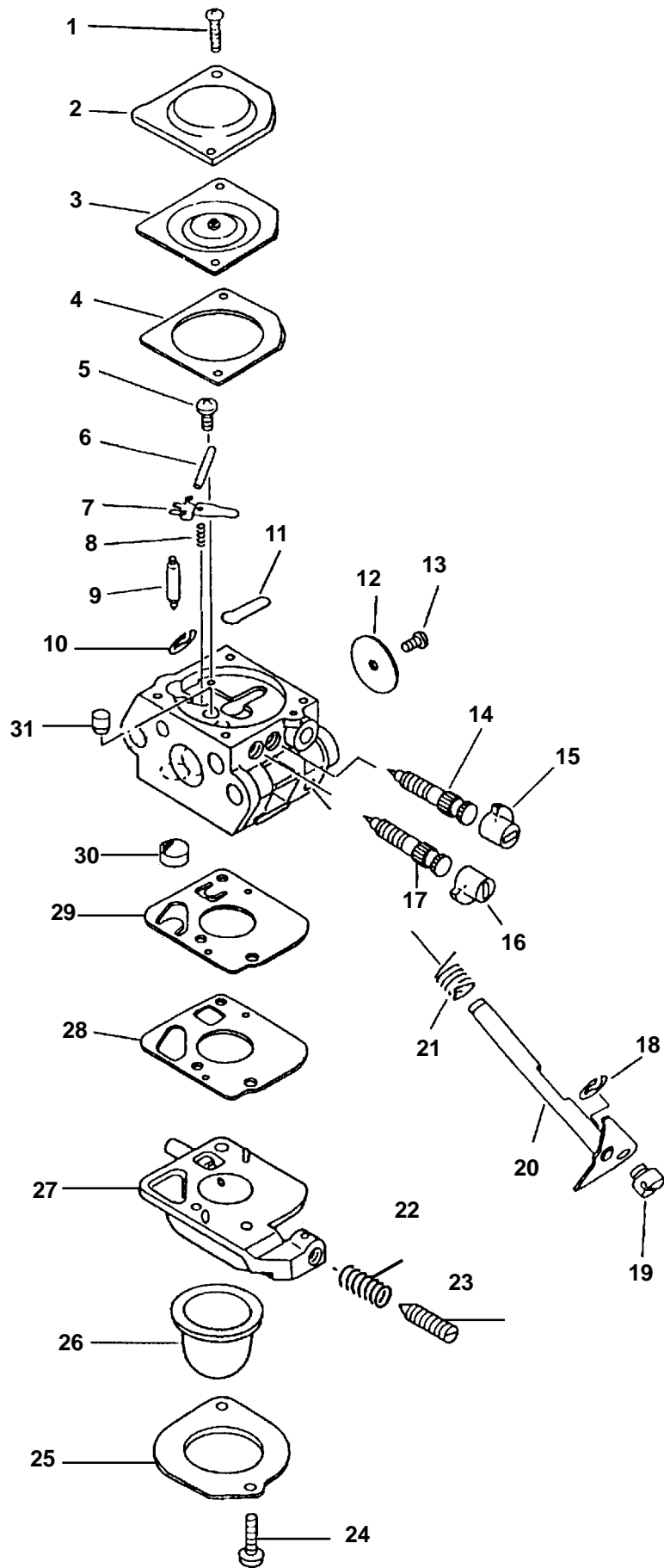
KEY	PART NUMBER	QTY	DESCRIPTION	REMARKS
1	21041752730	1	WING STUD	
2	13031306562	1	COVER, AIR CLEANER	
4	13031054130	1	FILTER, AIR	
5	90024205065	2	SCREW 5X65	
6	12901152730	1	PLATE, PREVENT	
7	13030706561	1	CASE, AIR CLEANER	
8	89012106360	1	LABEL, CHOKE	
9	12520049030	1	CARBURETOR C1U-K47	S/N 001001 - 229418
9	12520013312	1	CARBURETOR C1U-K52	S/N 229419 & UP
10	13001642031	1	GASKET, INTAKE	
11	13001742031	1	INSULATOR	
12	13001042031	1	GASKET, INTAKE	
13	90050000005	1	NUT 5	
14	90023805020	2	SCREW 5X20	
15	14580042031	1	MUFFLER ASY	INCLUDES ITEMS 16 - 22
16	14551042031	2	GASKET, MUFFLER	
17	14587144331	1	COVER, MUFFLER	
18	14580642030	1	MUFFLER	
19	14586240630	1	SCREEN, MUFFLER	
20	14586642031	1	GASKET, MUFFLER LID	
21	14586354130	1	HOLDER, SCREEN	
22	90023804010	3	SCREW 4X10	
23	90060000005	2	WASHER 5	
24	90010505055	2	BOLT, H.S. 5X55	
25	13100448730	1	CAP ASY, FUEL	INCLUDES ITEM 26
26	13101640930	1	GASKET, FUEL TANK CAP	
28	13100544330	1	TANK, FUEL	
29	90060300005	2	WASHER 5	
30	90023805016	2	SCREW 5X16	
31	13130040630	1	VENT ASY	
32	13201013930	1	PIPE, FUEL	
33	13131244330	1	PIPE 3X5X70	
34	13201246730	1	PIPE	
35	13211546730	1	GROMMET, FUEL	
36	13201309820	1	CLIP	
37	13120507320	1	STRAINER, FUEL	



KEY	PART NUMBER	QTY	DESCRIPTION	REMARKS
1	89031744530	1	LABEL, CAUTION	
2	35160009630	1	HANDLE ASY	INCLUDES ITEMS 3, 4 & 16
3	90003000008	1	NUT 1/4-20	
4	90003500008	1	WASHER, FLAT 1/4"	
5	90050000005	2	NUT 5	
6	90056000005	1	LOCKNUT 5	
7	35121344330	1	GRIP, HANDLE	
8	89015204930	1	LABEL, CAUTION	
9	61060944330	1	HOUSING ASY, DRIVESHAFT	INCLUDES ITEM 17
10	90050200006	2	NUT 6 (3)	
11	17800244430	1	WIRE, THROTTLE	
12	90024205025	2	SCREW 5X25	
13	17804306930	1	SPRING, THROTTLE RETURN	
14	17801048731	1	CONTROL, THROTTLE	
15	17811005330	1	SCREW	
16	90001708048	1	BOLT 1/4-20	
17	61021744330	1	LINER, FLEXIBLE	
18	61001309630	1	SHAFT, FLEXIBLE	
19	90070000004	1	E-RING, 4MM	
20	61040452430	1	HOUSING ASY	INCLUDES ITEMS 21 - 28
21	61030552430	1	PLATE, ADAPTER	
22	90070200030	1	CIRCLIP 30	
23	90081106200	1	BEARING, BALL 6200	
24	61031052430	1	SHAFT, P.T.O.	
25	90081006200	1	BEARING, BALL 6200	
26	61041052430	1	HOUSING, BEARING	
27	90024204010	1	SCREW 4X10	
28	90015205025	1	BOLT, H.S. 5X25	
29	69900440630	1	SHIELD ASY, W/LABEL	INCLUDES ITEMS 30 - 37
30	90001708064	1	BOLT, 1/4-20X2	
31	69901040631	1	SHIELD	
32	90003500008	1	WASHER, FLAT 1/4"	
33	90003000008	1	NUT 1/4-20	
34	89016844330	1	LABEL, CAUTION	
35	90024205016	2	SCREW 5X16	
36	69901644330	1	KNIFE, CORD	
37	90050000005	2	NUT 5	
38	89011848830	1	LABEL, ECHO	

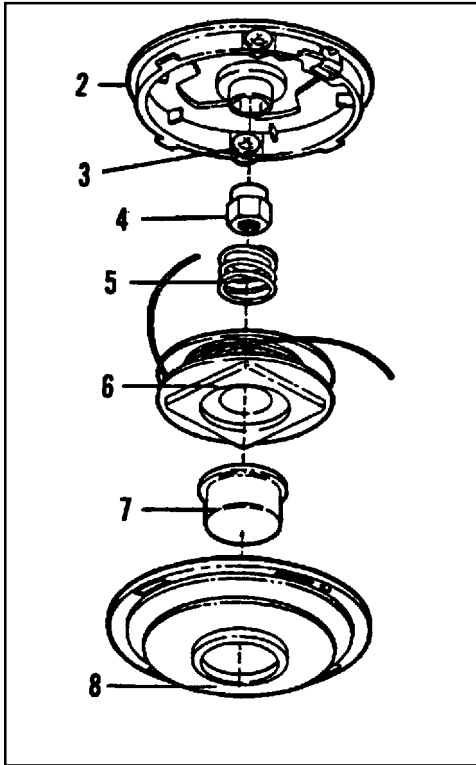


KEY	PART NUMBER	QTY	DESCRIPTION	REMARKS
	12520049030	1	CARBURETOR C1U-K47	INCLUDES THE FOLLOWING ITEMS
1	12534452130	2	SCREW	
2	12534213210	1	COVER, DIAPHRAGM	
3	A B	1	DIAPHRAGM	
4	A B	1	GASKET, DIAPHRAGM	
5	12533942030	1	SCREW	
6	A	1	PIN	
7	A	1	ARM, VALVE	
8	A	1	SPRING, COIL	
9	A	1	VALVE, NEEDLE	
10	12532715130	1	CLIP	
11	A	1	PLUG, WELCH	
12	12531649030	1	VALVE, THROTTLE	
13	12531413930	1	SCREW	
14	12531942030	2	SPRING, COIL	
15	12535307760	4	WASHER	
16	12531807360	1	SCREW, IDLE NEEDLE	
17	12532909860	1	LIMITER, LO SPEED (WHITE)	
18	12532007360	1	NEEDLE, HIGH SPEED	
19	12532949030	1	LIMITER, HI SPEED (RED)	
20	12532713930	1	CLIP	
21	12537242030	1	SWIVEL	
22	12531749030	1	SHAFT, THROTTLE	
23	12531342030	1	SPRING, THROTTLE RETURN	
24	12537813930	1	PIECE, FRICTION	
25	12533413930	1	SCREW, IDLE ADJUST	
26	12531011610	2	SCREW	
27	12536311610	1	RETAINER, PRIMER PUMP	
28	12538146730	1	PUMP, PRIMER	
29	12532411610	1	COVER, PUMP	
30	A B	1	GASKET, FUEL PUMP	
31	A B	1	DIAPHRAGM, FUEL PUMP	
32	A	1	STRAINER	
33	12537611610	1	NOZZLE, CHECK VALVE	
A	12530049030	1	REBUILD KIT	
B	12530349030	1	GASKET/DIAPHRAGM KIT	

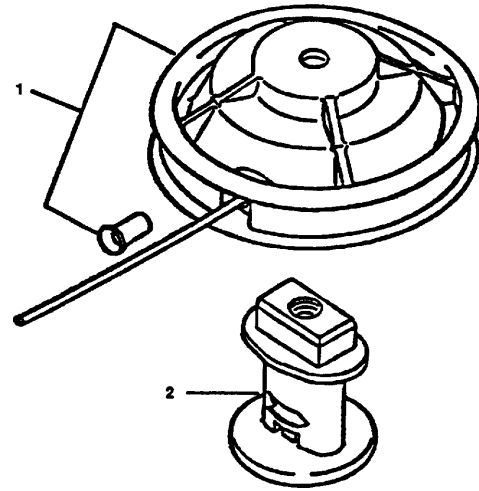


KEY	PART NUMBER	QTY	DESCRIPTION	REMARKS
	12520013312	1	CARBURETOR C1U-K52	INCLUDES THE FOLLOWING ITEMS
1	12534452130	2	SCREW	
2	12534213210	1	COVER, METERING DIAPHRAGM	
3	A B	1	DIAPHRAGM, METERING	
4	A B	1	GASKET, METERING DIAPHRAGM	
5	12533942030	1	SCREW	
6	A	1	PIN, METERING LEVER	
7	A	1	LEVER, METERING	
8	A	1	SPRING, LEVER METERING	
9	A	1	NEEDLE, INLET	
10	12532715130	1	CLIP	
11	A	1	PLUG, WELCH	
12	12531649030	1	VALVE, THROTTLE	
13	12531413930	1	SCREW	
14	12531813310	1	NEEDLE, LO SPEED	
15	12532909860	1	CAP, LO SPEED LIMITER	
16	12532939030	1	CAP, HI SPEED LIMITER	
17	12532013310	1	NEEDLE, HI SPEED	
18	12532713930	1	CLIP	
19	12537242030	1	SWIVEL	
20	12531749030	1	SHAFT, THROTTLE	
21	12531342030	1	SPRING, THROTTLE RETURN	
22	12537813930	1	PIECE, FRICTION	
23	12533413930	1	SCREW, IDLE ADJUST	
24	12531011610	2	SCREW	
25	12536311610	1	RETAINER, PURGE PUMP	
26	12538108660	1	PUMP, PURGE	
27	12538313310	1	BASE, PURGE	
28	A B	1	GASKET, FUEL PUMP	
29	A B	1	DIAPHRAGM, FUEL PUMP	
30	A	1	STRAINER	
31	12537613120	1	NOZZLE, CHECK VALVE	
A	12530013310	1	REBUILD KIT	
B	12530313310	1	GASKET/DIAPHRAGM KIT	

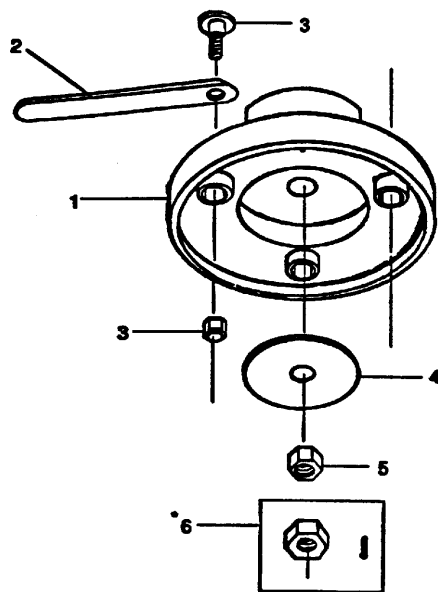
99944200240



99944200020



215100 WEED BUTCHER
215111 MAXI-CUT



KEY	PART NUMBER	QTY	DESCRIPTION	REMARKS
1	99944200240	1	2-LINE SEMI-AUTOMATIC TRIMMER HEAD	
2	69621052730	1	HOUSING	
3	215703	2	EYELET	
4	69621152730	1	SHAFT, BOLT	
5	69621652730	1	SPRING	
6	69621452730	1	SPOOL W/O LINE	
7	215407	1	BUTTON	
8	69621752730	1	COVER	
	99944200020	1	GT MANUAL HEAD	
1	N/A	1	DRUM, CORD REEL	
2	69621442030	1	REEL, CORD	
1	215100	1	WEED BUTCHER	
1A	215111	1	MAXI-CUT	
2	215101	1	BLADE SET (3)	215100
2A	215112	1	BLADE SET (3)	215111
3	215102	1	FASTENER SET (3)	215100
3A	215113	1	FASTENER SET (3)	215111
4	215103	1	WASHER, MOUNTING	215100 AND 215111
5	215104	1	MOUNTING NUT (GT UNITS)	
*6	90030020022	1	COTTER PIN (SRM UNITS)	
	90051100010	1	MOUNTING NUT (SRM UNITS)	