



**POWER BLOWER  
PARTS CATALOG  
MODEL PB-9**

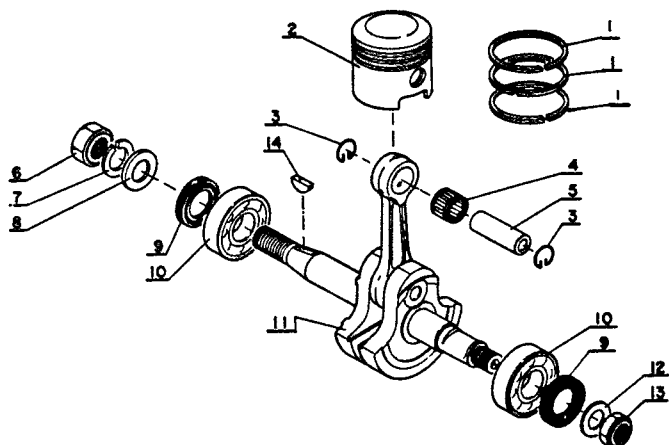
**SERIAL NUMBER 001001 & UP**

**ECHO, INCORPORATED  
400 OAKWOOD ROAD  
LAKE ZURICH, IL 60047**

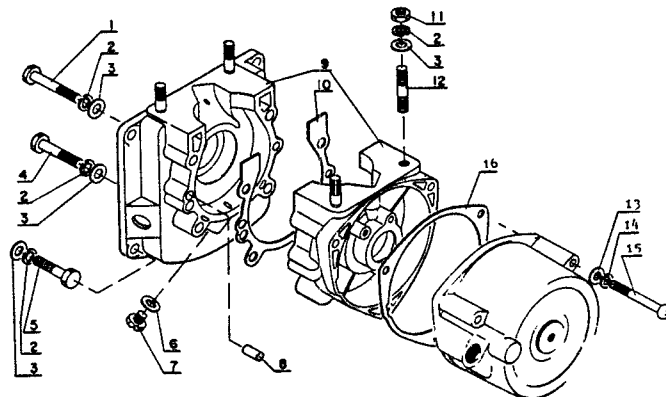
**99922202578  
08/94**

## Model PB-9

### (1) Crank shaft and Piston



### (2) Crank case

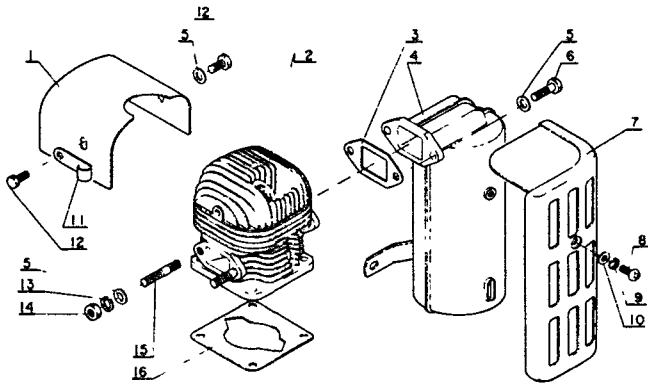


Key No.	Part No.	Q'ty	Description	Key No.	Part No.	Q'ty	Description
1- 1	100 011-0111 0	3	Piston ring	2- 1	100 244-0111 0	2	Bolt
2	100 010-0111 0	1	Piston	2	900 605-0000 6	12	Spring washer, 6
3	100 015-0012 0	2	Circlip, piston pin	3	900 600-0000 6	12	Washer, 6
4	100 012-0031 0	1	Needle bearing	4	100 245-0111 0	2	Bolt
5	100 013-0041 0	1	Piston pin	5	900 100-0602 5	4	Bolt, 6 x 25
6	100 134-0111 0	1	Nut	6	131 310-0023 0	1	Gasket, drain bolt
7	100 133-0111 0	1	Spring washer	7	100 510-0031 0	1	Drain bolt
8	100 136-0111 0	1	Washer	8	100 215-0283 0	2	Knock pin
9	100 213-0031 0	2	Oil seal	9	100 200-0111 0	1	Crankcase set
10	900 810-0620 2	2	Ball bearing, 6202	*10	USE KIT	1	Gasket, crankcase
11	100 100-0111 0	1	Crankshaft ass'y	11	900 500-0000 6	4	Nut, 6
12	175 015-0012 0	1	Washer	12	100 254-0013 0	4	Stud bolt
13	100 147-0091 0	1	Nut	13	900 600-0000 5	3	Washer, 5
14	100 142-0031 0	1	Woodruff key	14	900 605-0000 5	3	Spring washer, 5
				15	900 220-0504 2	3	Screw, 5 x 42
				16	100 615-0111 0	1	Gasket, starter case

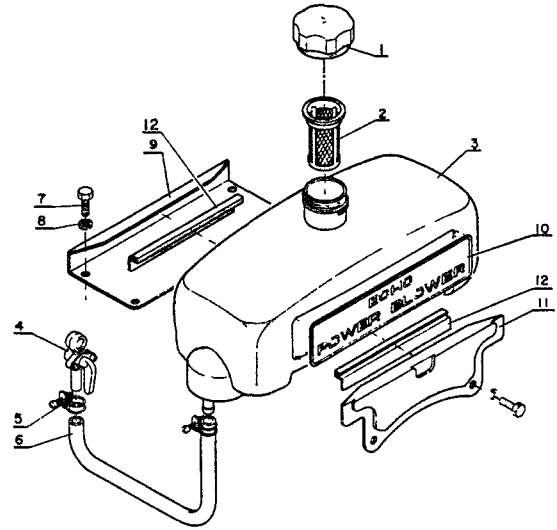
\*Use Gasket Kit, P/N 889000 01110

## Model PB-9

### (3) Cylinder and Muffler



### (4) Fuel tank

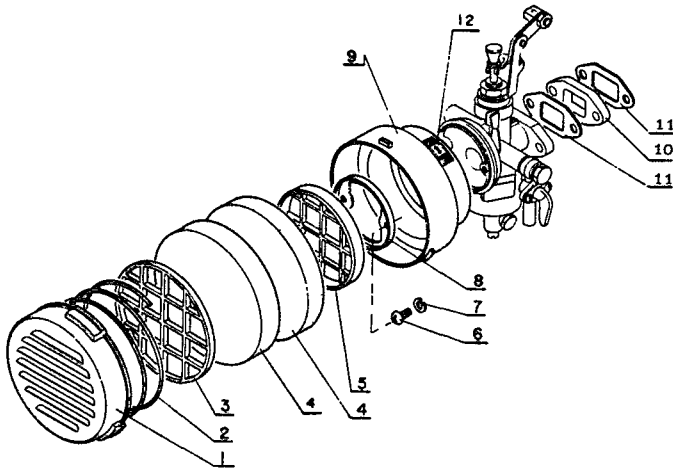


Key No.	Part No.	Q'ty	Description	Key No.	Part No.	Q'ty	Description
3- 1	101 514-0111 0	1	Cylinder cover	4- 1	131 001-0442 0	1	Cap, fuel tank
2	101 000-0111 0	1	Cylinder	2	131 110-0031 0	1	Fuel strainer
3	145 510-0111 0	1	Gasket, muffler	3	131 010-0036 1	1	Fuel tank
4	145 610-0111 0	1	Muffler	4	132 200-0051 1	1	Fuel valve ass'y
5	900 600-0000 6	5	Washer, 6	5	132 013-0036 0	2	Clamp
6	900 100-0602 0	2	Bolt, 6x20	6	132 010-0036 1	1	Fuel pipe
7	145 621-0111 0	1	Muffler cover	7	900 100-0601 2	4	Bolt 6x12
8	900 220-0501 2	2	Screw, 5x12	8	900 605-0000 6	4	Spring washer 6
9	900 605-0000 5	2	Spring washer, 5	9	131 910-0036 1	1	Bracket, fuel tank
10	900 600-0000 5	2	Washer, 5	10	890 012-0036 0	1	Decal, name
11	159 110-0111 0	1	Clamp	11	131 918-0036 0	1	Bracket, fuel tank
12	900 100-0601 0	2	Bolt, 6x10	12	131 920-0036 0	2	Cushion, fuel tank
13	900 605-0000 6	2	Spring washer, 6				
14	900 500-0000 6	2	Nut, 6				
15	101 013-0111 0	2	Stud bolt				
*16	101 010-0111 0	1	Gasket, cylinder base				

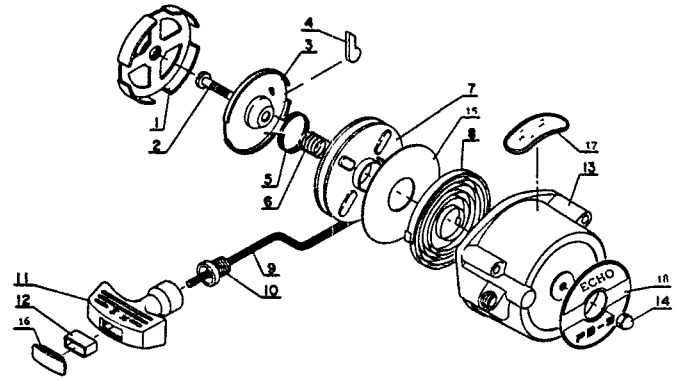
\*Use Gasket Kit, P/N 889000 01110

## Model PB-9

### (5) Air cleaner



### (6) Recoil starter



Key No.	Part No.	Q'ty	Description	Key No.	Part No.	Q'ty	Description
5- *	130 300-0111 0	1	Air cleaner ass'y	6- 1	177 210-0091 0	1	Pawl catcher
1	-130 313-0111 0	1	Cover, air cleaner	*	177 200-0111 0	1	Recoil starter ass'y
2	-130 316-0041 0	1	Spring, air cleaner	2	-177 236-0111 0	1	Screw
3	-130 311-0111 0	1	Grid, outer	3	-177 211-0091 0	1	Friction plate
4	-130 310-0041 0	2	Air filter	4	-177 218-0091 0	2	Ratchet
5	-130 319-0111 0	1	Grid, inner	5	-177 234-0091 0	1	Ratchet spring
6	-900 220-0401 2	2	Screw, 4x12	6	-177 233-0091 0	1	Spring
7	-900 605-0000 4	2	Spring washer, 4	7	-177 215-0111 0	1	Recoil drum
8	-130 420-0011 0	1	Plate	8	-177 220-0111 0	1	Rewind spring
9	-130 314-0111 0	1	Case, air cleaner	9	-177 226-0111 0	1	Starter rope
12	-890 121-0031 0	1	Decal, choke	10	-177 227-0122 0	1	Rope guide
10	130 017-0111 0	1	Insulator	11	-177 228-0111 0	1	Starter handle
11	130 016-0111 0	2	Gasket, carburetor	12	-177 229-0022 0	1	End piece
				13	-177 232-0111 0	1	Starter case
				14	-177 237-0111 0	1	Cap nut, 5
				15	-177 235-0091 0	1	Side plate, starter
				16	-177 244-0111 0	1	Handle cap, recoil
				17	890 122-0031 0	1	Decal, caution
				18	890 034-0036 0	1	Decal, model name

**Remarks**

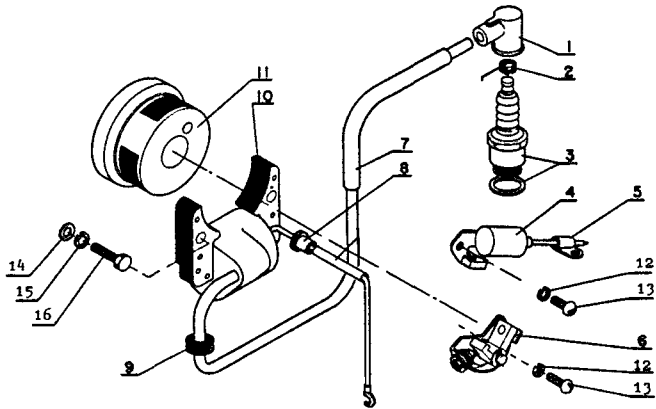
\* Consisting of 1 thru 9

**Remarks**

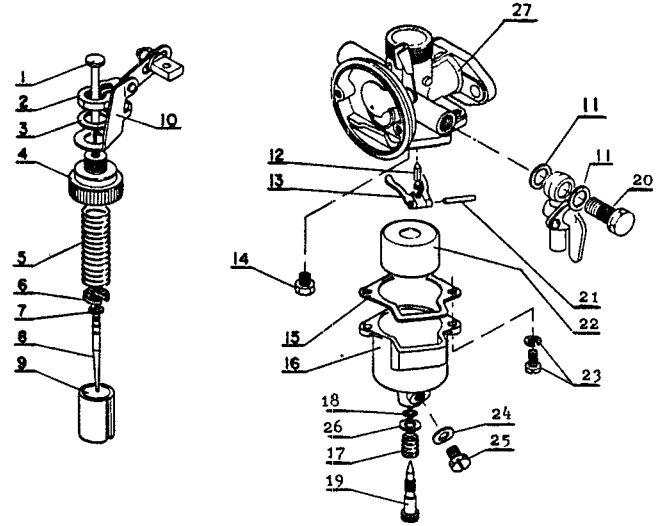
\* Consisting of 2 thru 16

## Model PB-9

### (7) Magneto



### (8) Carburetor



Key No.	Part No.	Q'ty	Description	Key No.	Part No.	Q'ty	Description
7- 1	159 012-0111 0	1	Cap, spark plug	8- *	120 001-0111 0	1	Carburetor ass'y
2	159 011-0051 0	1	Coil spring, spark plug cap	1	-120 110-0022 0	1	Link bar
3	159 010-0013 0	1	Spark plug	2	-120 111-0012 0	1	Nut
4	150 127-0091 0	1	Condenser	3	-120 112-0012 0	1	Washer
5	159 112-0111 0	1	Clamp	4	-120 113-0111 0	1	Top cover
6	150 101-0091 0	1	Contact breaker point set	5	-120 114-0022 0	1	Spring, throttle
7	150 111-0111 0	1	Sleeve	6	-120 115-0022 0	1	Seat, throttle spring
8	150 114-0031 0	1	Rubber grommet, primary cord	7	-120 116-0022 0	1	E-ring
9	150 112-0031 0	1	Rubber grommet, H.T. cord	8	-120 117-0111 1	1	Needle, jet
10	150 126-0111 0	1	Ignition coil	9	-120 118-0111 1	1	Valve, throttle
11	150 200-0111 0	1	Rotor	10	-120 100-0111 0	1	Lever ass'y
12	900 605-0000 4	2	Spring washer, 4	11	-120 130-0012 0	2	Gasket
13	900 220-0401 0	2	Screw, 4x10	**12	-120 102-0111 0	1	Valve, inlet needle
14	900 600-0000 5	2	Washer, 5	13	-120 121-0111 0	1	Lever, inlet metering
15	900 605-0000 5	2	Spring washer, 5	14	-120 122-0111 1	1	Valve, mixture
16	900 100-0502 5	2	Bolt, 5x25	15	-120 123-0111 0	1	Gasket, float chamber
				16	-120 124-0111 1	1	Body, float chamber
				17	-120 127-0111 0	1	Spring, metering needle
				18	-120 125-0111 0	1	O-ring
				19	-120 128-0111 0	1	Needle, mixture
				20	-120 131-0012 0	1	Banjo bolt
				21	-120 132-0012 0	1	Pin, metering lever
				22	-120 166-0111 0	1	Float
				23	-900 241-0401 4	2	Screw, 4x14 w/SW
				24	-120 136-0012 0	1	Gasket, drain
				25	-900 220-0400 6	1	Screw, 4x6
				26	-120 126-0111 0	1	Washer
				27	-NOT AVAILABLE	1	Body ass'y, carburetor

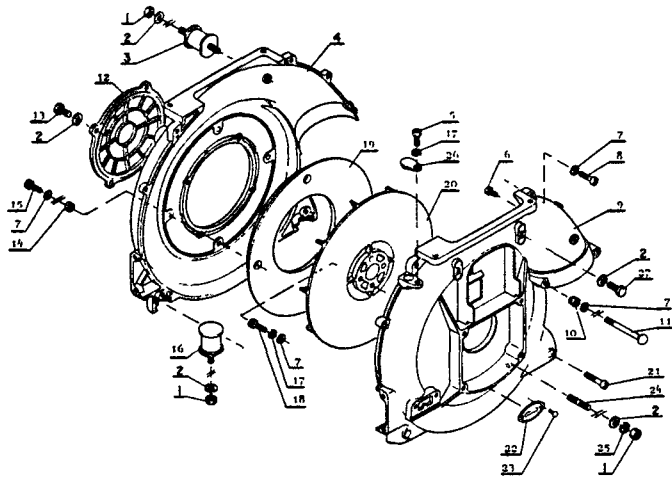
**Remarks**

\* Consisting of 1 thru 27

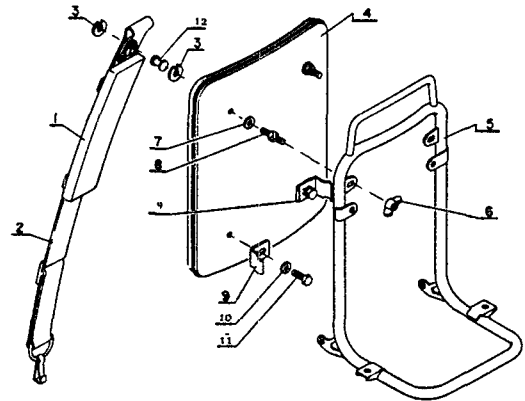
\*\*SEE SERVICE BULLETIN 87-7

## Model PB-9

### (9) Fancase and Fan



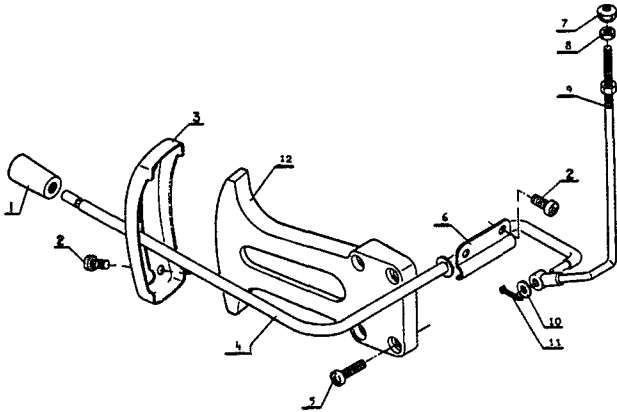
### (10) Backpack band and Frame



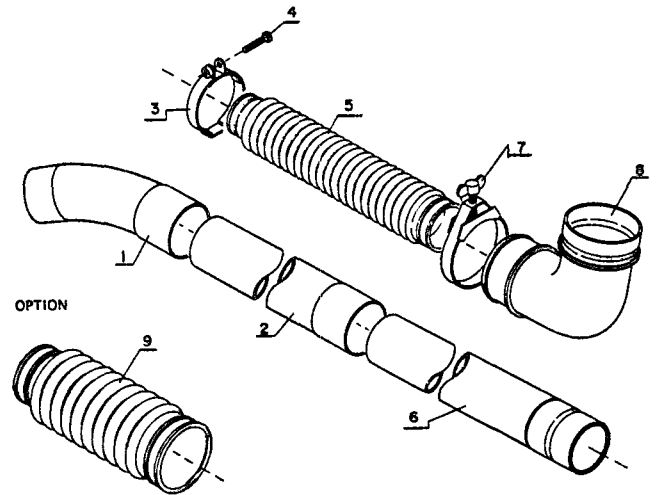
Key No.	Part No.	Q'ty	Description	Key No.	Part No.	Q'ty	Description
9- 1	900-500-0000 6	5	Nut, 6	10- 1	300 322-0161 0	2	Pad, back pack band
2	900 600-0000 6	11	Washer, 6	2	300 301-0111 0	2	Back pack band
3	200 910-0111 0	2	Rubber cushion, upper	3	300 328-0031 0	4	Washer, back pack band
4	200 110-0181 0	1	Fan case, operator side	4	300 105-0111 0	1	Cushion
5	900 220-0501 0	1	Screw, 5x10	5	300 005-0036 0	1	Frame, back pack
6	900 220-0400 8	1	Screw, 4x8	6	300 218-0111 0	2	Butterfly nut, 5
7	900 600-0000 5	14	Washer, 5	7	300 217-0061 0	2	Washer
8	900 220-0502 0	4	Screw, 5x20	8	300 219-0111 0	2	Stud bolt
9	200 111-0181 0	1	Fan case, recoil starter side	9	300 220-0111 0	2	Bracket, cushion
10	210 419-0111 0	2	Cap nut, 5	10	900 600-0000 5	2	Washer, 5
11	210 416-0111 0	2	Bolt, blowing elbow	11	900 100-0501 0	2	Bolt, 5x10
12	200 124-0111 0	1	Grid, fan case	12	300 333-0031 0	2	Button
13	900 100-0601 0	4	Bolt, 6x10				
14	900 502-0000 5	4	Nut, 5				
15	900 100-0501 2	4	Bolt, 5x12				
16	200 916-0111 0	2	Rubber cushion, lower				
17	900 605-0000 5	5	Spring washer, 5				
18	900 100-0501 6	4	Bolt, 5x16				
19	200 125-0111 0	1	Separator				
20	200 010-0111 0	1	Fan				
21	900 220-0502 5	2	Screw, 5x25				
22	890 110-0036 0	1	Model plate				
23	890 011-0013 0	2	Rivet				
24	200 118-0111 0	1	Stud bolt				
25	900 605-0000 6	1	Spring washer, 6				
26	200 136-0036 0	1	Plug				
27	900 100-0601 4	2	Bolt, 6x14				

# Model PB-9

## (11) Control lever



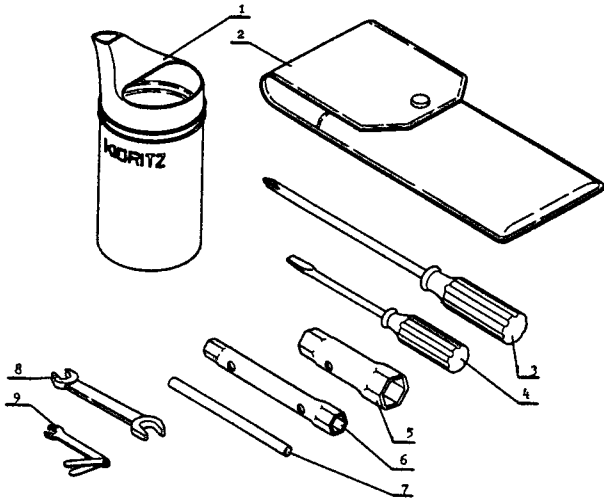
## (12) Blowing pipe



Key No.	Part No.	Q'ty	Description	Key No.	Part No.	Q'ty	Description
11- 1	178 023-0111 0	1	Knob, control lever	12- 1	210 023-0021 0	1	Curved pipe
2	900 220-0501 0	4	Screw, 5x10	2	210 015-0111 0	1	Straight pipe
3	178 119-0036 0	1	Dial	3	210 406-0111 0	1	Clamp
4	178 005-0111 0	1	Throttle lever	4	900 220-0502 0	1	Screw, 5x20
5	900 220-0501 8	4	Screw, 5x18	5	210 012-0111 0	1	Flexible pipe, L-436
6	178 114-0111 0	1	Retainer, lever	6	212 005-0041 0	1	Straight pipe w/swivel
7	178 021-0111 0	1	Nut, throttle rod	7	210 407-0111 0	1	Clamp
8	900 500-0000 4	1	Nut, 4	8	210 011-0111 0	1	Elbow
9	178 011-0111 0	1	Throttle rod	Option 9	210 013-0111 0	1	Flexible pipe, L-228
10	900 600-0000 4	1	Washer, 4				
11	900 300-1601 0	1	Slit pin, 1.6x10				
12	701 112-0111 0	1	Bracket, dial				

# Model PB-9

## (13) Tools



Key No.	Part No.	Q'ty	Description
13- 1	898 520-0031 0	1	Fuel mixer
*	896 000-0063 0	1	Tool set
2	-898 510-0111 1	1	Tool bag
3	-895 710-0043 0	1	Plus screw driver, 100
4	-895 812-0111 0	1	Minus screw driver, 50
5	-895 416-0111 1	1	Box wrench, 14x21
6	-895 413-0063 0	1	Box wrench, 8x10
7	-895 412-0023 0	1	Handle rod
8	-895 112-0033 0	1	Spanner, 8x10
9	-895 115-0033 0	1	Spanner, contact breaker point

Remarks

\* Consisting of 2 thru 9