



---

AVAILABLE ATTACHMENTS & ACCESSORIES

**PARTS CATALOG  
HC-180 HEDGE  
CLIPPER**

**21.2cc**

**MODEL: SERIAL NUMBERS**

---

**HC-180: S/N 09001001 - 09999999**

---

***ECHO, INCORPORATED***

400 Oakwood Road Lake Zurich, Illinois 60047 USA

WWW.ECHO-USA.COM



# Table of Contents

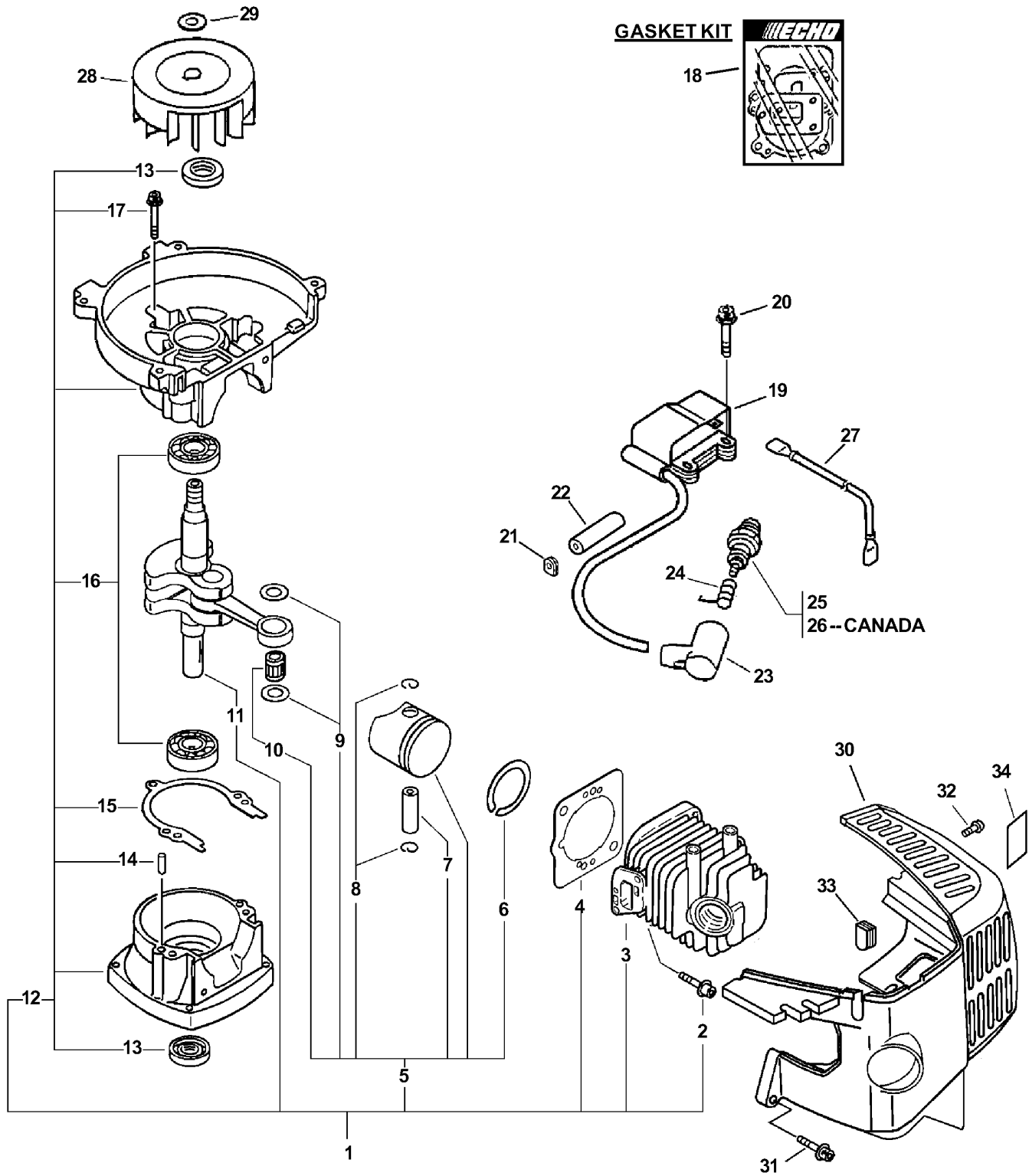
---

Click Any Diagram Description Below To View That Diagram.

## **HC-180 S/N 09001001 - 09999999**

Engine, Short Block, Ignition, Cylinder Cover.....	4
Starter, fuel System, Clutch.....	6
Intake.....	8
Carburetor -- RB-K75.....	10
Exhaust.....	12
Handle, Throttle, Stop Switch.....	14
Gearcase, Blades, Tools.....	16
Part Number Index.....	18
Part Description Index.....	19

***This Page Intentionally Left Blank***

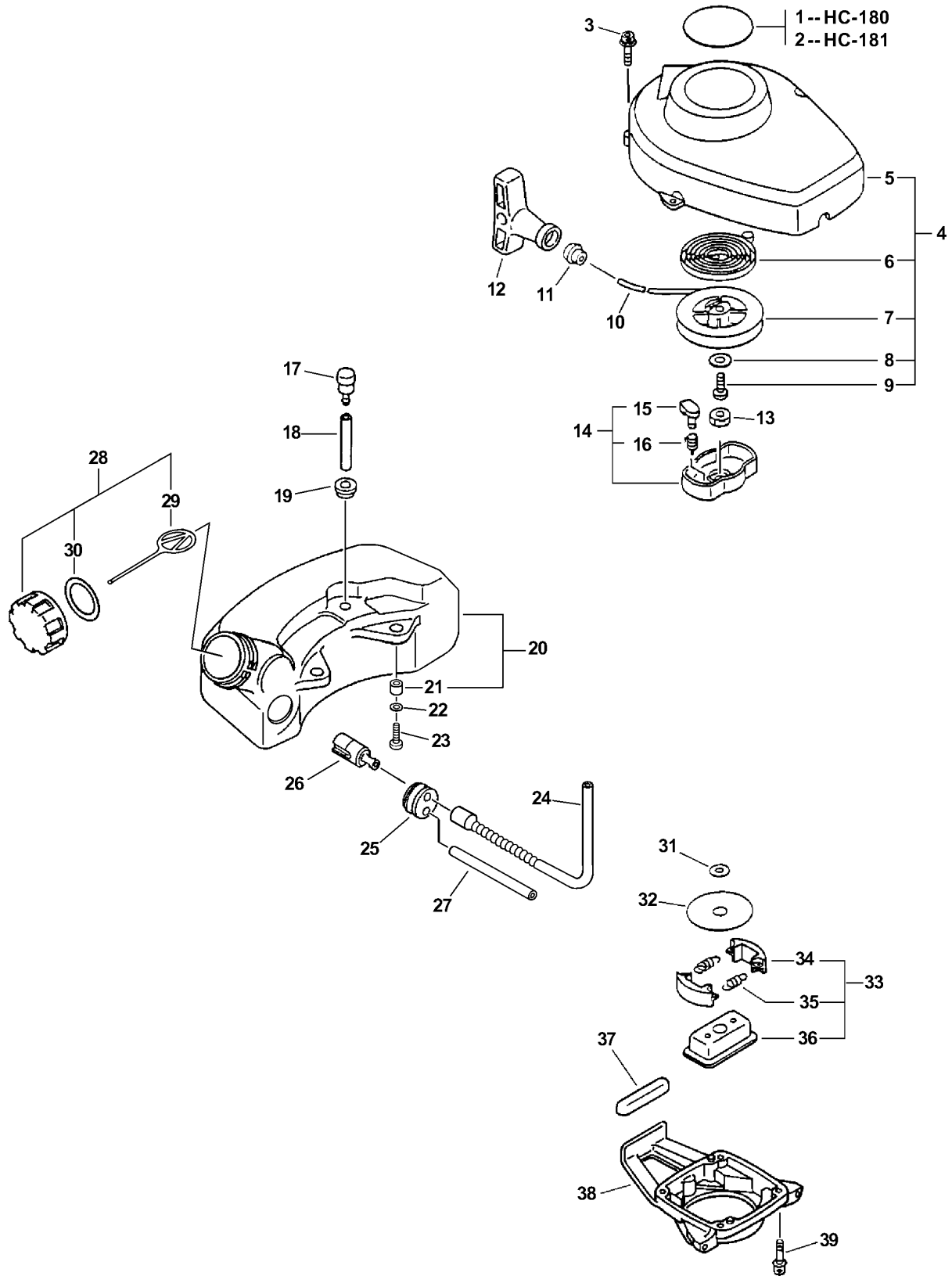


ITEM	PART NUMBER	QTY	DESCRIPTION	REMARKS
1	SB1075	1	SHORT BLOCK	INCLUDES ITEM 2-17
2	90016205022	2	BOLT 5X22	
3	A130000550	1	CYLINDER	
4	V100000160	1	GASKET, CYLINDER <sup>1</sup>	
5	P021007772	1	PISTON KIT	INCLUDES ITEMS 6-10
6	A101000090	1	RING, PISTON	
7	10001311520	1	PIN, PISTON	
8	10001504630	2	CIRCLIP, PISTON PIN	
9	10001408960	2	SPACER, PISTON PIN	
10	10011305930	1	BEARING, NEEDLE	
11	A011000221	1	CRANKSHAFT ASY	
12	10020452132	1	CRANKCASE SET	INCLUDES ITEMS 13-17
13	10021242031	2	OILSEAL	
14	10021503930	2	DOWEL PIN	
15	10024242030	1	GASKET, CRANKCASE <sup>1</sup>	
16	9403536201	2	BEARING, BALL 6201	
17	90016205028	3	BOLT 5X28	
18	P021004611	1	GASKET KIT	
19	A411000140	1	COIL,IGNITION	
20	90016204020	2	BOLT 4X20	
21	15611004920	1	GROMMET	
22	15611054930	1	TUBE	
23	15901201620	1	CAP, SPARK PLUG	
24	15901103432	1	TERMINAL, SPARK PLUG CAP	
25	15901019830	1	SPARK PLUG - BPM-8Y	
26	A425000000	1	SPARK PLUG - BPMR-8Y <sup>2</sup>	
27	V485000300	1	LEAD	
28	A409000210	1	FLYWHEEL	
29	90060000008	1	SPRING WASHER 8	
30	A160000161	1	COVER, CYLINDER	
31	90016204022	2	BOLT 4X22	
32	9110704008	1	SCREW 4X8	
33	10153807420	1	PLUG	
34	89016006361	1	LABEL, CAUTION - HOT	

## Footnotes

1: Also Included In GASKET KIT

2: CANADA MODELS



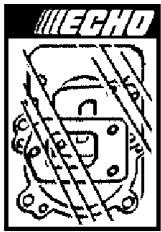
ITEM	PART NUMBER	QTY	DESCRIPTION	REMARKS
1	X503004000	1	LABEL, MODEL -- HC-180	
2	X503002960	1	LABEL, MODEL -- HC-181	
3	90016304016	4	BOLT 4X16	
4	17720005962	1	STARTER ASY	INCLUDES ITEMS 5-12
5	17723205961	1	CASE, STARTER	
6	17722042030	1	SPRING, REWIND	
7	17721505960	1	DRUM, STARTER	
8	17721442030	1	WASHER	
9	17723644330	1	SCREW	
10	17722605960	1	ROPE, STARTER - 3X890mm <sup>1</sup>	
11	17722742030	1	GUIDE, ROPE	
12	17722806530	1	GRIP, STARTER	
13	90051200008	1	NUT 8 - LEFT HAND	
14	17720207361	1	STARTER PAWL ASY	INCLUDES ITEMS 15-16
15	17721844330	1	PAWL, STARTER	
16	17723405960	1	SPRING, RETURN	
17	A356000030	1	VENT ASY	
18	13201021160	1	PIPE, VENT - 3X6X35mm <sup>2</sup>	
19	13211501461	1	GROMMET	
20	13100208961	1	TANK, FUEL	INCLUDES ITEM 21
21	13104528230	2	COLLAR	
22	90060300005	2	WASHER 5	
23	90023805016	2	SCREW 5X16	
24	13201002160	1	PIPE, FUEL	
25	13211544330	1	GROMMET, FUEL	
26	13120507320	1	FILTER, FUEL	
27	13201006460	1	PIPE, RETURN - 3X5X110 <sup>3</sup>	
28	13100455530	1	FUEL CAP ASY	INCLUDES ITEMS 29-30
29	13105156030	1	CONNECTOR, CAP	
30	13101655830	1	GASKET, FUEL CAP	
31	17501405360	1	WASHER, CLUTCH	
32	17501904920	1	PLATE, CLUTCH	
33	17500002962	1	CLUTCH ASY	INCLUDES ITEMS 34-36
34	17500905131	2	SHOE, CLUTCH	
35	17501805960	2	SPRING, CLUTCH	
36	17501607330	1	HUB, CLUTCH	
37	13192028230	1	CUSHION	
38	17505506960	1	HOUSING, CLUTCH	
39	90016304016	4	BOLT 4X16	
	90015		BULK OPTION	
	90017		BULK OPTION	

**Footnotes**

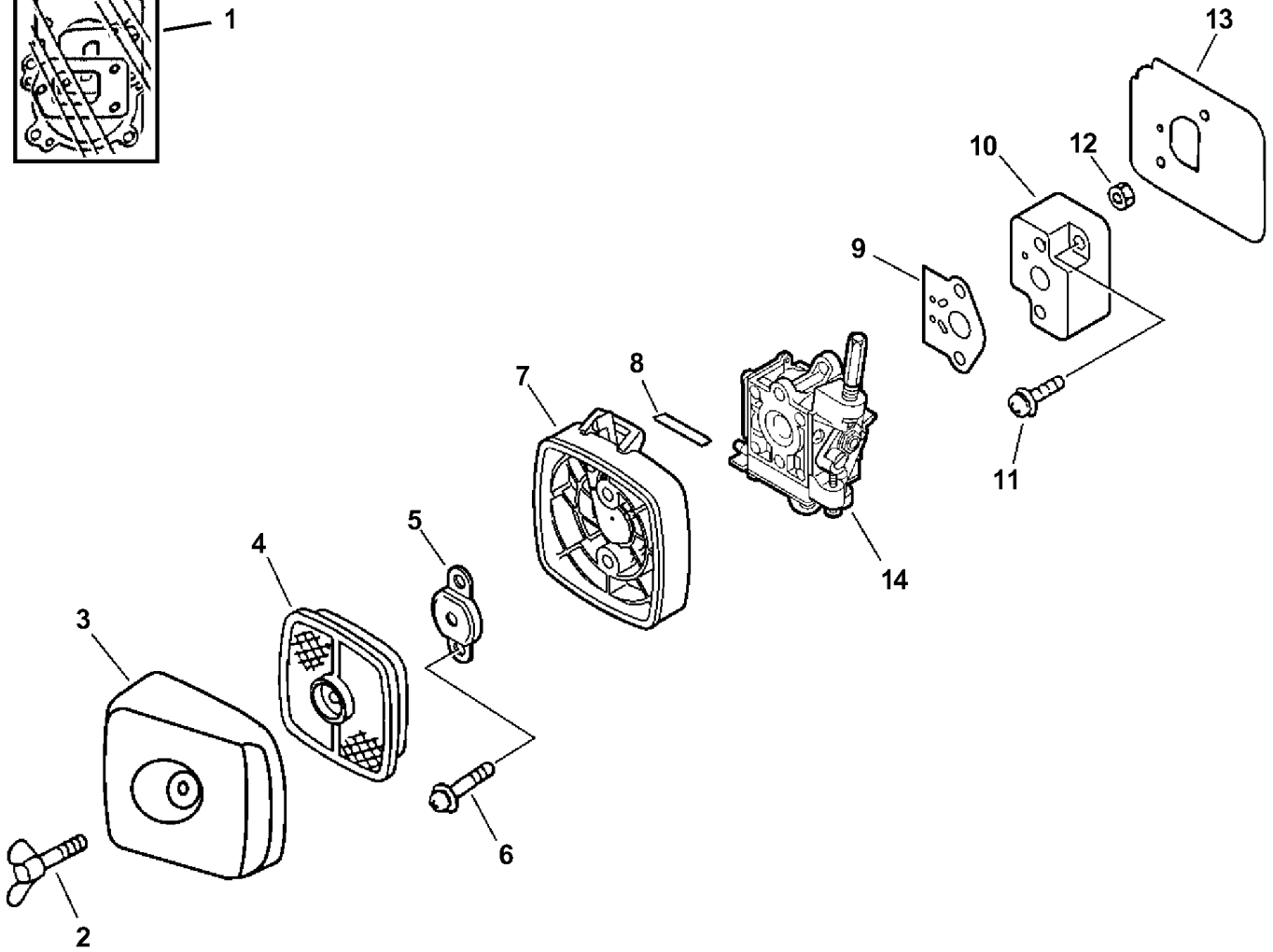
1: BULK OPTION: 99944440000

2: BULK OPTION: 90015

3: BULK OPTION: 90017



**GASKET KIT**

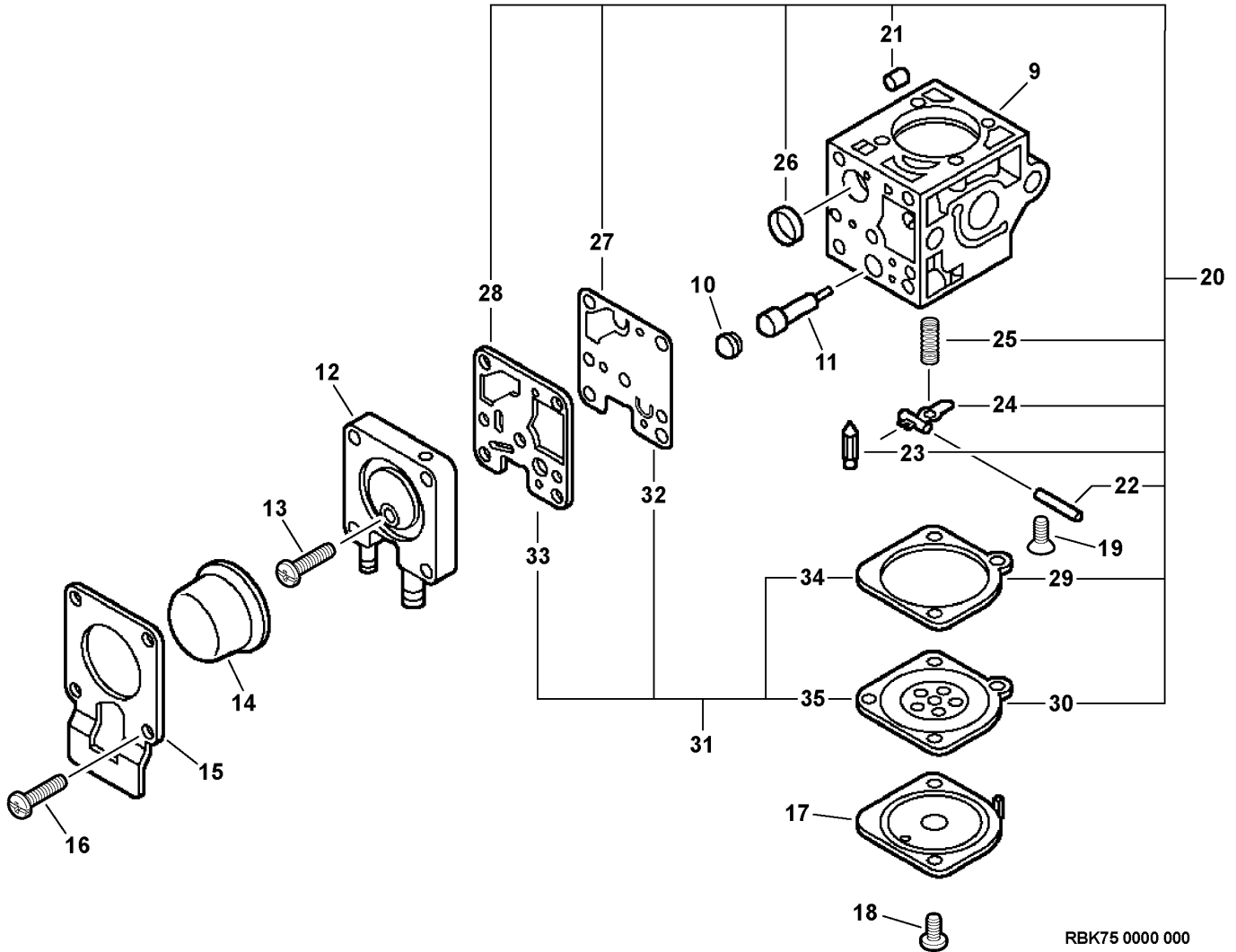
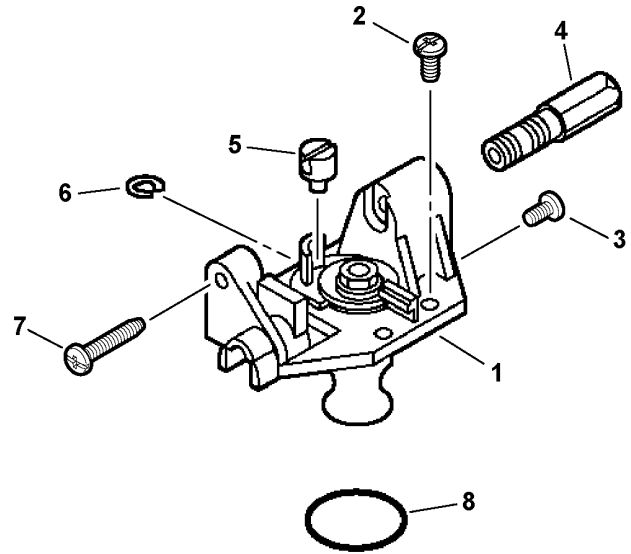




ITEM	PART NUMBER	QTY	DESCRIPTION	REMARKS
1	P021004611	1	GASKET KIT	
2	21041752730	1	WING BOLT	
3	13031306563	1	LID, AIR CLEANER	
4	13031054130	1	FILTER, AIR	
5	12901152730	1	PLATE, PREVENT	
6	90022005065	2	SCREW 5X65	
7	P021000991	1	CASE, AIR CLEANER	
8	89012152730	1	LABEL, CHOKE	
9	13001013410	1	GASKET, INTAKE <sup>1</sup>	
10	13001744330	1	INSULATOR	
11	90023805020	2	BOLT5X20	
12	90050000005	2	NUT	
13	V103000180	1	SHIELD, INTAKE <sup>1</sup>	
14	-----	1	CARBURETOR <sup>2</sup>	

**Footnotes**

- 1: Also Included In GASKET KIT
- 2: See Carburetor Diagrams For Model Applications And Serial Numbers

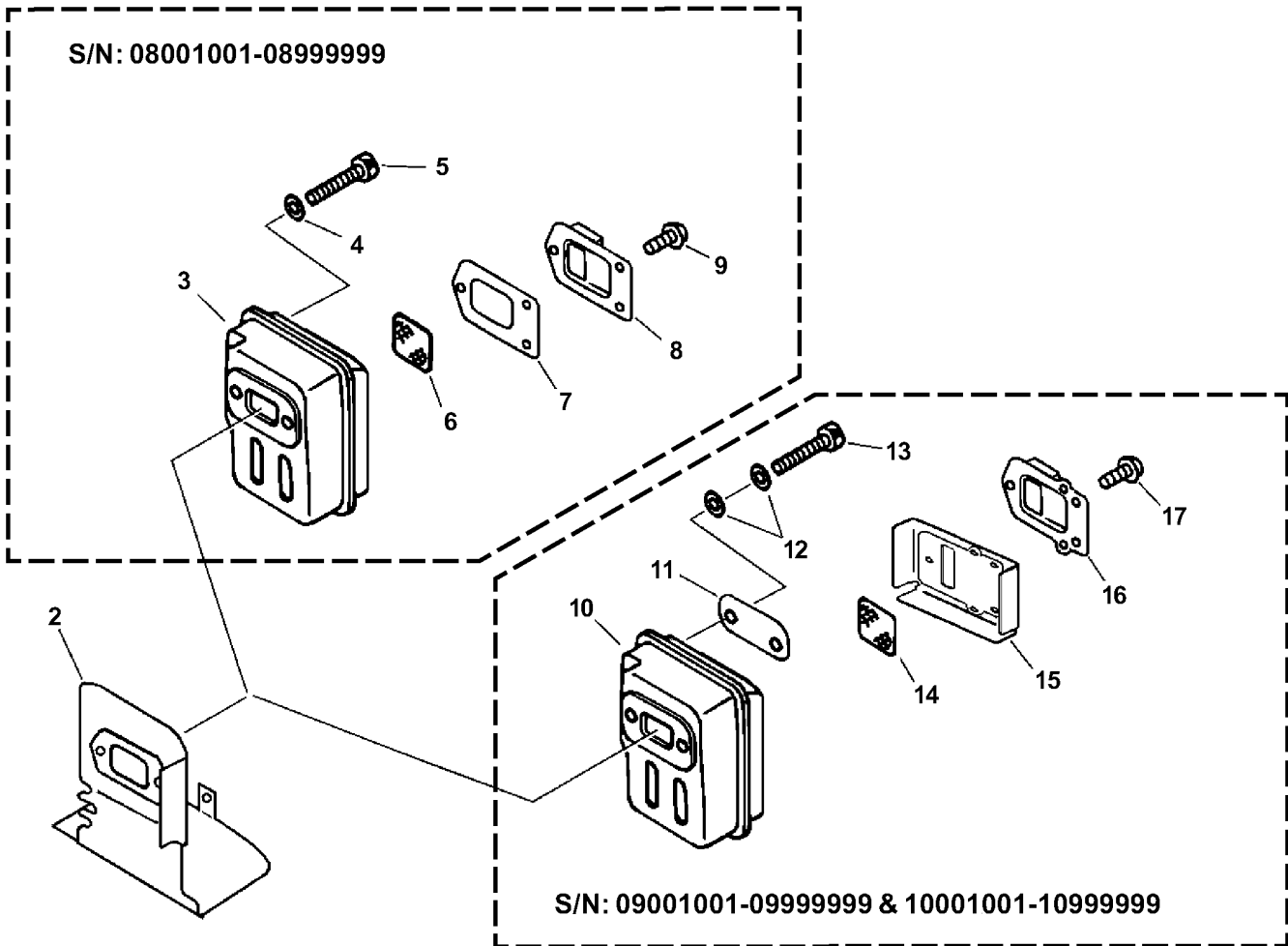
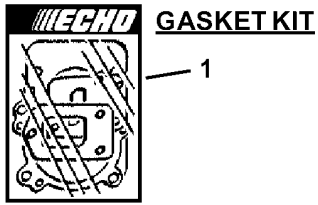


RBK75 0000 000

ITEM	PART NUMBER	QTY	DESCRIPTION	REMARKS
	A021000740	1	CARBURETOR -- RB-K75	
<b>1</b>	P005001320	1	ROTOR COVER ASY	
<b>2</b>	12534413931	3	SCREW, ROTOR COVER ASY	
<b>3</b>	12534452130	1	SCREW, ROTOR COVER	
<b>4</b>	P005001330	1	SCREW, CABLE ADJUST	
<b>5</b>	P005001240	1	SWIVEL	
<b>6</b>	P005000190	1	E-RING	
<b>7</b>	P005000100	1	SCREW, THROTTLE ADJUST	
<b>8</b>	P005000280	1	O-RING	
<b>9</b>	-----	1	BODY, CARBURETOR <sup>1</sup>	
<b>10</b>	P005001270	1	PLUG	
<b>11</b>	P005001260	1	NEEDLE - HIGH SPEED	
<b>12</b>	P005000930	1	PURGE BASE ASY	
<b>13</b>	P005000270	1	SCREW, PURGE BASE ASY	
<b>14</b>	12538108660	1	BULB, PURGE	
<b>15</b>	P005000250	1	RETAINER, PURGE BULB	
<b>16</b>	12531061830	4	SCREW, PURGE BULB RETAINER	
<b>17</b>	12534252130	1	COVER, DIAPHRAGM	
<b>18</b>	12534452130	3	SCREW, DIAPHRAGM COVER	
<b>19</b>	12533942030	1	SCREW, METERING LEVER PIN	
<b>20</b>	P005001670	1	REPAIR KIT	INCLUDES ITEMS 21-30
<b>21</b>	P005001000	1	ROLLER, GUIDE	
<b>22</b>	-----	1	PIN, METERING LEVER	
<b>23</b>	-----	1	VALVE, INLET NEEDLE	
<b>24</b>	-----	1	LEVER, METERING	
<b>25</b>	-----	1	SPRING, METERING LEVER	
<b>26</b>	-----	1	STRAINER	
<b>27</b>	-----	1	DIAPHRAGM, PUMP	
<b>28</b>	-----	1	GASKET, PUMP	
<b>29</b>	-----	1	GASKET, METERING	
<b>30</b>	-----	1	DIAPHRAGM, METERING	
<b>31</b>	P005001660	1	DIAPHRAGM/GASKET KIT	INCLUDES ITEMS 32-35
<b>32</b>	-----	1	DIAPHRAGM, PUMP	
<b>33</b>	-----	1	GASKET, PUMP	
<b>34</b>	-----	1	GASKET, METERING	
<b>35</b>	-----	1	DIAPHRAGM, METERING	

**Footnotes**

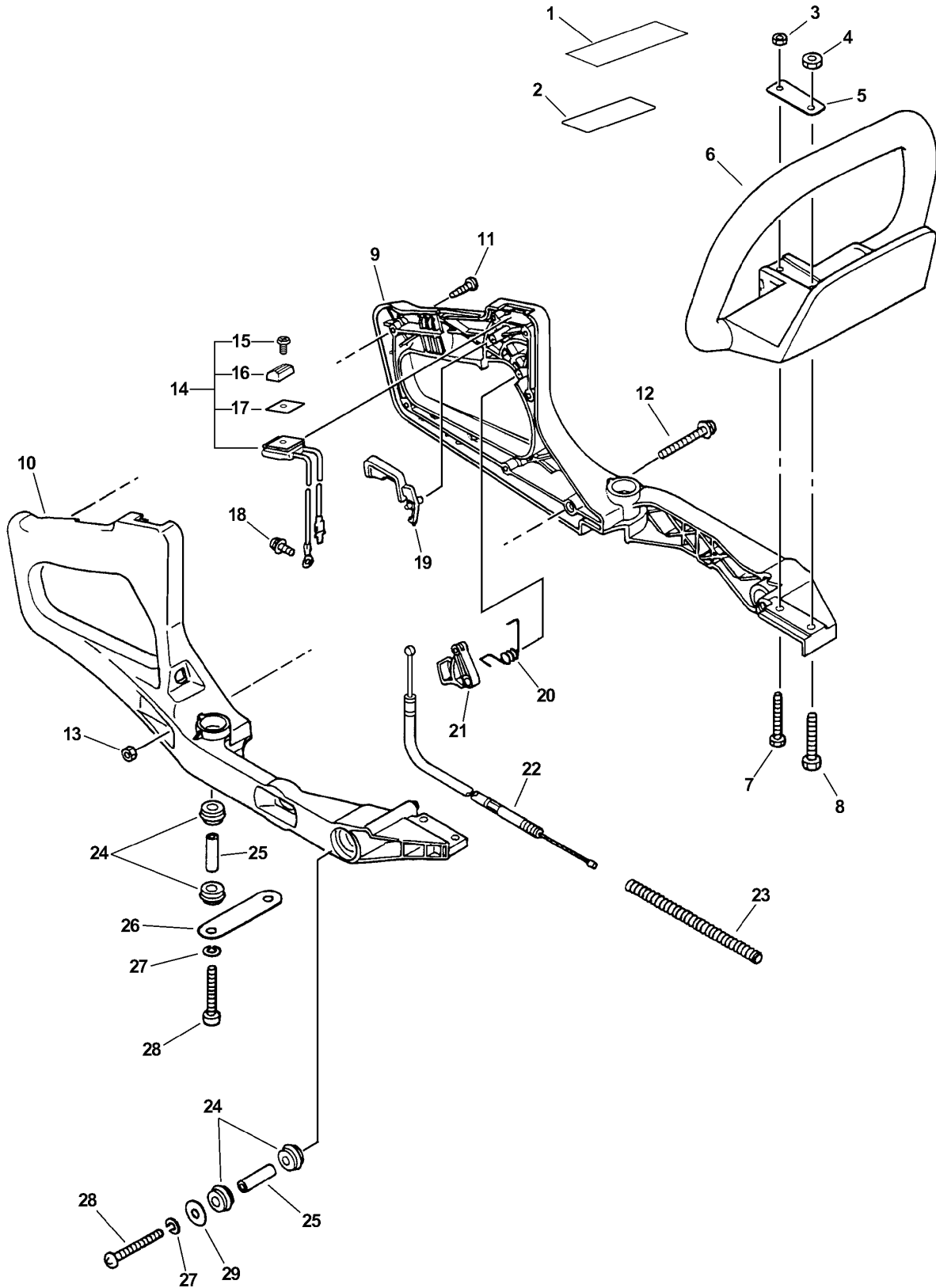
1: NOT AVAILABLE SEPARATELY



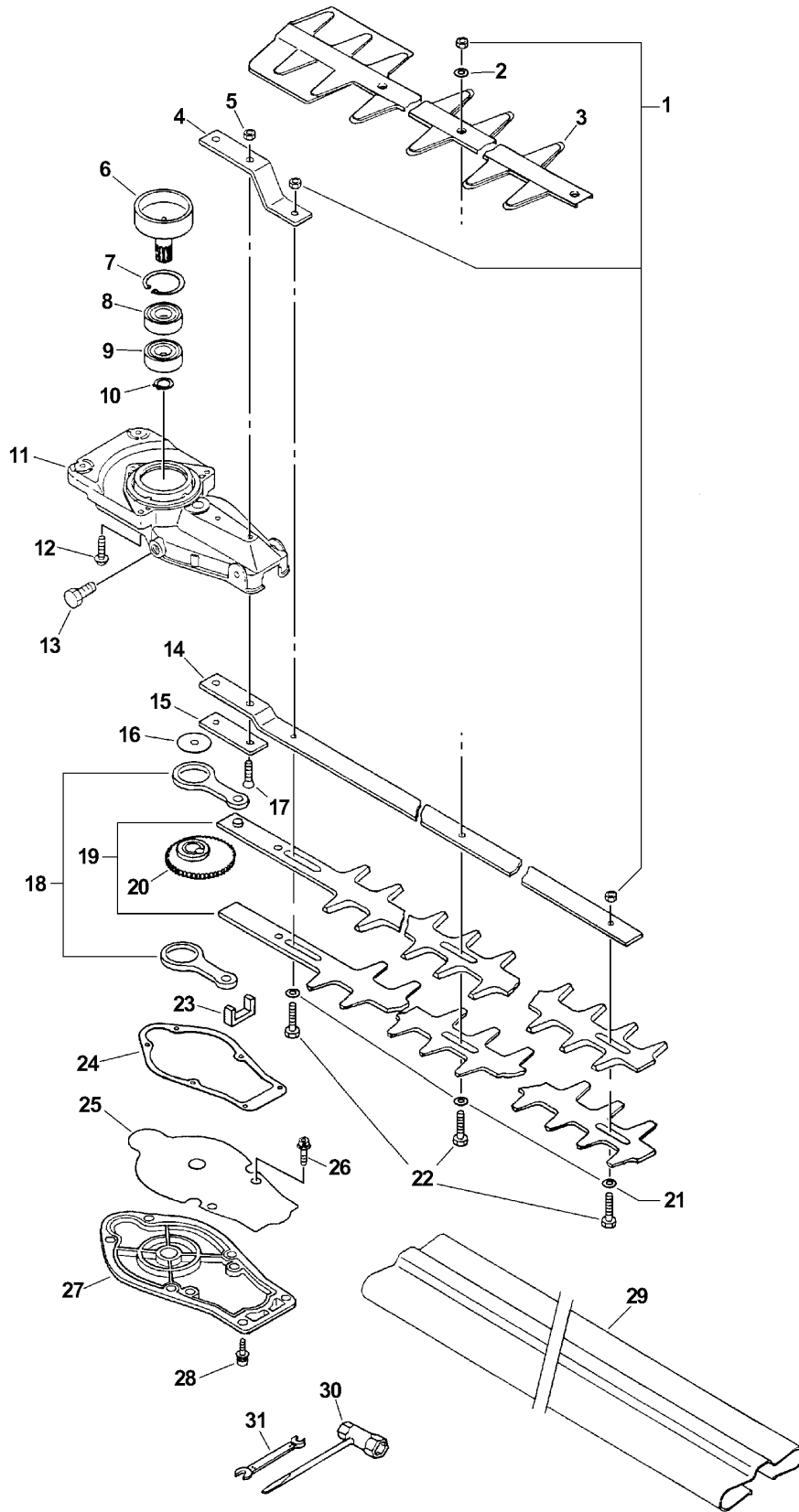
ITEM	PART NUMBER	QTY	DESCRIPTION	REMARKS
1	P021004611	1	GASKET KIT	
2	V104000640	1	SHIELD, EXHAUST <sup>1</sup>	
3	14580642030	1	MUFFLER	
4	90060000005	2	WASHER	
5	90010505055	2	BOLT 5X55	
6	14586240630	1	SCREEN, MUFFLER	
7	14586642031	1	GASKET, EXHAUST <sup>1</sup>	
8	A313000580	1	GUIDE, EXHAUST	
9	90024204010	3	SCREW 4X10	
10	A300000141	1	MUFFLER	
11	V150000371	1	PLATE, EYE	
12	V347000000	4	CONICAL WASHER	
13	90010505055	2	BOLT 5X55	
14	14586240630	1	SCREEN, MUFFLER	
15	V104000360	1	GASKET, EXHAUST <sup>1</sup>	
16	A313000600	1	GUIDE, EXHAUST	
17	9136704010	5	SCREW 4X10	

**Footnotes**

<sup>1</sup>: Also Included In GASKET KIT



ITEM	PART NUMBER	QTY	DESCRIPTION	REMARKS
1	X505000270	1	LABEL, CAUTION	
2	X505000290	1	LABEL, CAUTION	
3	90050000005	1	NUT 5	
4	90050000006	1	NUT 6	
5	35161105360	1	PLATE, EYE	
6	35161005360	1	HANDLE, FRONT	
7	90010005035	1	BOLT 5X35	
8	90010006035	1	BOLT 6X35	
9	35112906960	1	HANDLE, REAR - LEFT	
10	35111006960	1	HANDLE, REAR - RIGHT	
11	90025304025	6	SCREW 4X25	
12	90024205064	2	SCREW 5X64	
13	90050000005	2	NUT 5	
14	A440000330	1	IGNITION SWITCH ASY	INCLUDES ITEMS 14-16
15	9154503010	1	SCREW 3X10	
16	16341049231	1	KNOB, SWITCH	
17	89015712330	1	LABEL, SWITCH	
18	90023805010	1	SCREW 5X10	
19	17801205960	1	LOCKOUT, THROTTLE	
20	17801335631	1	SPRING, THROTTLE LOCK	
21	17801005960	1	TRIGGER, THROTTLE	
22	V430000630	1	CABLE, THROTTLE	
23	17812706960	1	TUBE	
24	35122806960	8	CUSHION	
25	35124101260	4	SPACER	
26	35124206961	1	PLATE, EYE	
27	90060500005	4	WASHER, SPRING 5	
28	90022005040	4	SCREW 5X40	
29	35124906960	2	WASHER	





ITEM	PART NUMBER	QTY	DESCRIPTION	REMARKS
1	43302206460	6	NUT	
2	69911804560	3	WASHER	
3	69912502961	1	SUPPORT, BLADE	
4	69912006560	2	PLATE, ANGLE	
5	90050000006	1	NUT 6	
6	17500504560	1	DRUM, CLUTCH	
7	90070200035	1	CIRCLIP 35	
8	90081336202	1	BEARING, BALL 6202	
9	90081036202	1	BEARING, BALL 6202	
10	90070100014	1	CIRCLIP 14	
11	61040707760	1	CASE, GEAR - UPPER	
12	90016205025	3	BOLT 5X25	
13	90010008008	1	BOLT8X8	
14	X425000120	1	SUPPORT, CUTTER	
15	69911807760	1	PLATE, EYE	
16	61035004560	1	WASHER	
17	90021206025	2	SCREW 6X25	
18	61033004561	2	ROD, CONNECTING	
19	X411000160	2	CUTTER	
20	61031204560	1	GEAR	
21	69911804560	3	WASHER	
22	69911521460	6	BOLT 6	
23	61042504560	1	SEAL	
24	61041405360	1	GASKET, GEAR HOUSING	
25	61044707760	1	PLATE, CASE LID	
26	90016205012	2	BOLT 5X12	
27	61041107760	1	LID, GEAR CASE - LOWER	
28	90016204012	6	BOLT 4X12	
29	X495000030	1	COVER, BLADE	
30	89541006960	1	WRENCH, W/SCREWDRIVER	
31	89511200330	1	SPANNER - 8X10	



# Part Number Index

Click The Page Number After Any Part Number To View The Diagram Containing That Part.

Part Number	Page	Part Number	Page	Part Number	Page
-----	9, 11	35161005360	15	P005000190	11
10001311520	5	35161105360	15	P005000250	11
10001408960	5	43302206460	17	P005000270	11
10001504630	5	61031204560	17	P005000280	11
10011305930	5	61033004561	17	P005000930	11
10020452132	5	61035004560	17	P005001000	11
10021242031	5	61040707760	17	P005001240	11
10021503930	5	61041107760	17	P005001260	11
10024242030	5	61041405360	17	P005001270	11
10153807420	5	61042504560	17	P005001320	11
12531061830	11	61044707760	17	P005001330	11
12533942030	11	69911521460	17	P005001660	11
12534252130	11	69911804560	17	P005001670	11
12534413931	11	69911807760	17	P021000991	9
12534452130	11	69912006560	17	P021004611	5, 9, 13
12538108660	11	69912502961	17	P021007772	5
12901152730	9	89012152730	9	SB1075	5
13001013410	9	89015712330	15	V100000160	5
13001744330	9	89016006361	5	V103000180	9
13031054130	9	89511200330	17	V104000360	13
13031306563	9	89541006960	17	V104000640	13
13100208961	7	90010005035	15	V150000371	13
13100455530	7	90010006035	15	V347000000	13
13101655830	7	90010008008	17	V430000630	15
13104528230	7	90010505055	13	V485000300	5
13105156030	7	90015	7	X411000160	17
13120507320	7	90016204012	17	X425000120	17
13192028230	7	90016204020	5	X495000030	17
13201002160	7	90016204022	5	X503002960	7
13201006460	7	90016205012	17	X503004000	7
13201021160	7	90016205022	5	X505000270	15
13211501461	7	90016205025	17	X505000290	15
13211544330	7	90016205028	5		
14580642030	13	90016304016	7		
14586240630	13	90017	7		
14586642031	13	90021206025	17		
15611004920	5	90022005040	15		
15611054930	5	90022005065	9		
15901019830	5	90023805010	15		
15901103432	5	90023805016	7		
15901201620	5	90023805020	9		
16341049231	15	90024204010	13		
17500002962	7	90024205064	15		
17500504560	17	90025304025	15		
17500905131	7	90050000005	9, 15		
17501405360	7	90050000006	15, 17		
17501607330	7	90051200008	7		
17501805960	7	90060000005	13		
17501904920	7	90060000008	5		
17505506960	7	90060300005	7		
17720005962	7	90060500005	15		
17720207361	7	90070100014	17		
17721442030	7	90070200035	17		
17721505960	7	90081036202	17		
17721844330	7	90081336202	17		
17722042030	7	9110704008	5		
17722605960	7	9136704010	13		
17722742030	7	9154503010	15		
17722806530	7	9403536201	5		
17723205961	7	A011000221	5		
17723405960	7	A021000740	11		
17723644330	7	A101000090	5		
17801005960	15	A130000550	5		
17801205960	15	A160000161	5		
17801335631	15	A300000141	13		
17812706960	15	A313000580	13		
21041752730	9	A313000600	13		
35111006960	15	A356000030	7		
35112906960	15	A409000210	5		
35122806960	15	A411000140	5		
35124101260	15	A425000000	5		
35124206961	15	A440000330	15		
35124906960	15	P005000100	11		



# Part Description Index

Click The Page Number After Any Part Description To View The Diagram Containing That Part.

## B

BEARING, BALL 6201.....5  
 BEARING, BALL 6202.....17  
 BEARING, NEEDLE.....5  
 BODY, CARBURETOR.....11  
 BOLT 4X12.....17  
 BOLT 4X16.....7  
 BOLT 4X20.....5  
 BOLT 4X22.....5  
 BOLT 5X12.....17  
 BOLT 5X22.....5  
 BOLT 5X25.....17  
 BOLT 5X28.....5  
 BOLT 5X35.....15  
 BOLT 5X55.....13  
 BOLT 6.....17  
 BOLT 6X35.....15  
 BOLT5X20.....9  
 BOLT8X8.....17  
 BULB, PURGE.....11  
 BULK OPTION.....7

## C

CABLE, THROTTLE.....15  
 CAP, SPARK PLUG.....5  
 CARBURETOR.....9  
 CARBURETOR -- RB-K75.....11  
 CASE, AIR CLEANER.....9  
 CASE, GEAR - UPPER.....17  
 CASE, STARTER.....7  
 CIRCLIP 14.....17  
 CIRCLIP 35.....17  
 CIRCLIP, PISTON PIN.....5  
 CLUTCH ASY.....7  
 COIL,IGNITION.....5  
 COLLAR.....7  
 CONICAL WASHER.....13  
 CONNECTOR, CAP.....7  
 COVER, BLADE.....17  
 COVER, CYLINDER.....5  
 COVER, DIAPHRAGM.....11  
 CRANKCASE SET.....5  
 CRANKSHAFT ASY.....5  
 CUSHION.....7, 15  
 CUTTER.....17  
 CYLINDER.....5

## D

DIAPHRAGM, METERING.....11  
 DIAPHRAGM, PUMP.....11  
 DIAPHRAGM/GASKET KIT.....11  
 DOWEL PIN.....5  
 DRUM, CLUTCH.....17  
 DRUM, STARTER.....7

## E

E-RING.....11

## F

FILTER, AIR.....9  
 FILTER, FUEL.....7  
 FLYWHEEL.....5  
 FUEL CAP ASY.....7

## G

GASKET KIT.....5, 9, 13  
 GASKET, CRANKCASE.....5  
 GASKET, CYLINDER.....5  
 GASKET, EXHAUST.....13  
 GASKET, FUEL CAP.....7  
 GASKET, GEAR HOUSING.....17  
 GASKET, INTAKE.....9  
 GASKET, METERING.....11  
 GASKET, PUMP.....11  
 GEAR.....17  
 GRIP, STARTER.....7  
 GROMMET.....5, 7  
 GROMMET, FUEL.....7  
 GUIDE, EXHAUST.....13  
 GUIDE, ROPE.....7

## H

HANDLE, FRONT.....15  
 HANDLE, REAR - LEFT.....15  
 HANDLE, REAR - RIGHT.....15  
 HOUSING, CLUTCH.....7  
 HUB, CLUTCH.....7

## I

IGNITION SWITCH ASY.....15  
 INSULATOR.....9

## K

KNOB, SWITCH.....15

## L

LABEL, CAUTION.....15  
 LABEL, CAUTION - HOT.....5  
 LABEL, CHOKE.....9  
 LABEL, MODEL -- HC-180.....7  
 LABEL, MODEL -- HC-181.....7  
 LABEL, SWITCH.....15  
 LEAD.....5  
 LEVER, METERING.....11  
 LID, AIR CLEANER.....9  
 LID, GEAR CASE - LOWER.....17  
 LOCKOUT,THROTTLE.....15

## M

MUFFLER.....13

## N

NEEDLE - HIGH SPEED.....11  
 NUT.....9, 17  
 NUT 5.....15  
 NUT 6.....15, 17  
 NUT 8 - LEFT HAND.....7

## O

OILSEAL.....5  
 O-RING.....11

## P

PAWL, STARTER.....7  
 PIN, METERING LEVER.....11

PIN, PISTON.....5  
 PIPE, FUEL.....7  
 PIPE, RETURN - 3X5X110.....7  
 PIPE, VENT - 3X6X35mm.....7  
 PISTON KIT.....5  
 PLATE, ANGLE.....17  
 PLATE, CASE LID.....17  
 PLATE, CLUTCH.....7  
 PLATE, EYE.....13, 15, 17  
 PLATE, PREVENT.....9  
 PLUG.....5, 11  
 PURGE BASE ASY.....11

## R

REPAIR KIT.....11  
 RETAINER, PURGE BULB.....11  
 RING, PISTON.....5  
 ROD, CONNECTING.....17  
 ROLLER, GUIDE.....11  
 ROPE, STARTER - 3X890mm.....7  
 ROTOR COVER ASY.....11

## S

SCREEN, MUFFLER.....13  
 SCREW.....7  
 SCREW 3X10.....15  
 SCREW 4X10.....13  
 SCREW 4X25.....15  
 SCREW 4X8.....5  
 SCREW 5X10.....15  
 SCREW 5X16.....7  
 SCREW 5X40.....15  
 SCREW 5X64.....15  
 SCREW 5X65.....9  
 SCREW 6X25.....17  
 SCREW, CABLE ADJUST.....11  
 SCREW, DIAPHRAGM COVER.....11  
 SCREW, METERING LEVER PIN.....11  
 SCREW, PURGE BASE ASY.....11  
 SCREW, PURGE BULB RETAINER.....11  
 SCREW, ROTOR COVER.....11  
 SCREW, ROTOR COVER ASY.....11  
 SCREW, THROTTLE ADJUST.....11  
 SEAL.....17  
 SHIELD, EXHAUST.....13  
 SHIELD, INTAKE.....9  
 SHOE, CLUTCH.....7  
 SHORT BLOCK.....5  
 SPACER.....15  
 SPACER, PISTON PIN.....5  
 SPANNER - 8X10.....17  
 SPARK PLUG - BPM-8Y.....5  
 SPARK PLUG - BPMR-8Y.....5  
 SPRING WASHER 8.....5  
 SPRING, CLUTCH.....7  
 SPRING, METERING LEVER.....11  
 SPRING, RETURN.....7  
 SPRING, REWIND.....7  
 SPRING, THROTTLE LOCK.....15  
 STARTER ASY.....7  
 STARTER PAWL ASY.....7  
 STRAINER.....11  
 SUPPORT, BLADE.....17  
 SUPPORT, CUTTER.....17  
 SWIVEL.....11



## Part Description Index (continued)

---

### T

TANK, FUEL.....7  
TERMINAL, SPARK PLUG CAP.....5  
TRIGGER, THROTTLE.....15  
TUBE.....5, 15

### V

VALVE, INLET NEEDLE.....11  
VENT ASY.....7

### W

WASHER.....7, 13, 15, 17  
WASHER 5.....7  
WASHER, CLUTCH.....7  
WASHER, SPRING 5.....15  
WING BOLT.....9  
WRENCH, W/SCREWDRIVER.....17

## **NOTES**



**ECHO, INCORPORATED**

400 Oakwood Road  
Lake Zurich, IL 60047 USA

[WWW.ECHO-USA.COM](http://WWW.ECHO-USA.COM)

---