



PARTS CATALOGUE

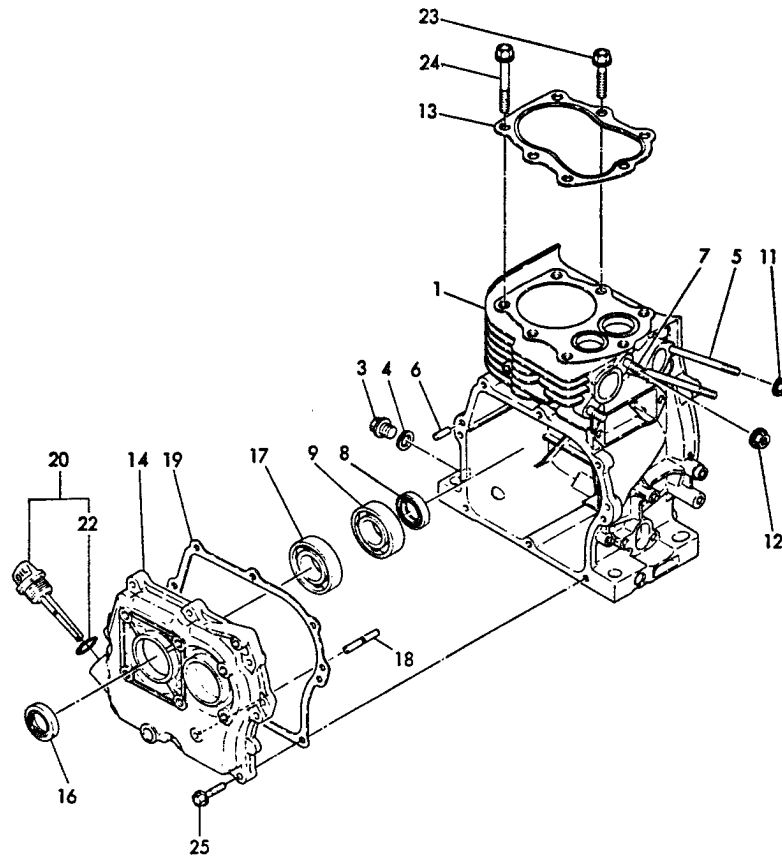
WP-3000

SERIAL NUMBER 0 - F7298



898 595-8536 0

1 CYLINDER BLOCK



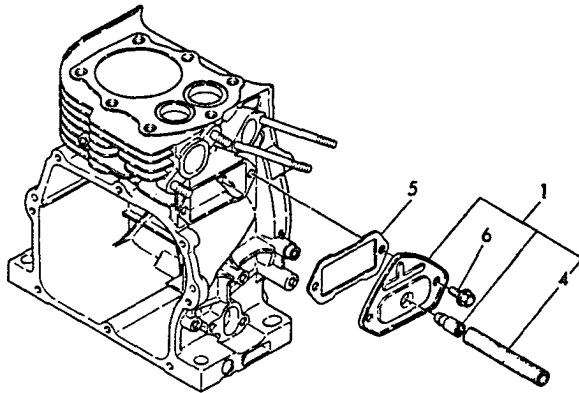
**1B02
(1B01)**

(1) CYLINDER BODY

(A) = WP-3000 (D) =
(B) = (E) =
(C) = (F) =

REF. NO.	LEV.	O	PART NO.	DESCRIPTION	Q'TY					
					(A)	(B)	(C)	(D)	(E)	(F)
1	.	Y	760770-01560	BODY ASSY, CYLINDER	1					
3	..	Y	160610-01690	PLUG, DRAIN	1					
4	..	Y	104200-59170	GASKET	1					
5	..	Y	160610-04570	BOLT M6 X 70	2					
6	..	Y	223120-60160	PARALLEL PIN 6 X 16	2					
7	..	Y	262160-80182	STUD M8 X 18 PLATED	2					
8	..	Y	160210-02220	OIL SEAL	1					
9	..	Y	241010-62050	BEARING	1					
11	..	Y	263660-60002	NUT M6	2					
12	..	Y	263660-80002	NUT M8	2					
13	.	Y	160710-01330	GASKET, CYL. HEAD	1					
14	.	Y	760740-01500	COVER ASSY, SIDE	1					
16	..	Y	160210-02220	OIL SEAL	1					
17	..	Y	241010-62050	BEARING	1					
18	..	Y	160610-61100	SHAFT, GOVERNOR	1					
19	.	Y	160710-01410	GASKET, COVER	1					
20	.	Y	160710-01760	CAP COMP.	1					
22	..	Y	243110-00180	O-RING 1A P-18.0	1					
23	.	Y	160610-04172	BOLT M8 X 38	4					
24	.	Y	160610-04211	BOLT M8 X 65	3					
25	.	Y	264760-60252	BOLT M6 X 25	8					

2 BREATHER



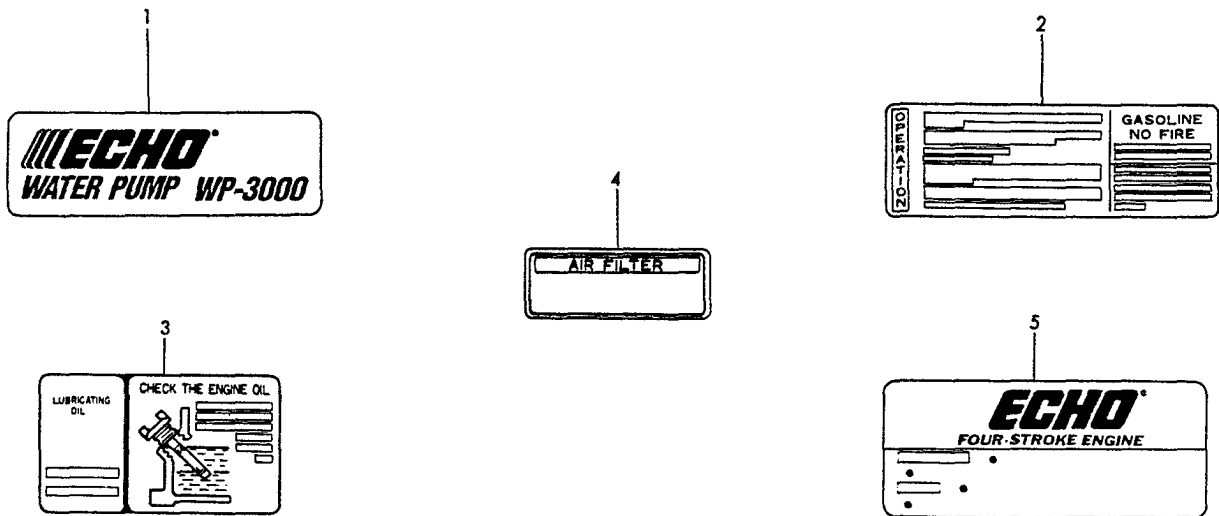
**1B03
(1B01)**

(2) BREATHER

(A) = WP-3000 (D) =
(B) = (E) =
(C) = (F) =

REF. NO.	LEV.	O	PART NO.	DESCRIPTION	Q'TY					
					(A)	(B)	(C)	(D)	(E)	(F)
1	.	Y	160710-03010	BREATHER ASSY	1					
4	..	Y	160710-03180	PIPE, BREATHER	1					
5	.	Y	160710-03070	GASKET	1					
6	.	Y	264760-60142	BOLT M6 X 14	2					

3 LABEL



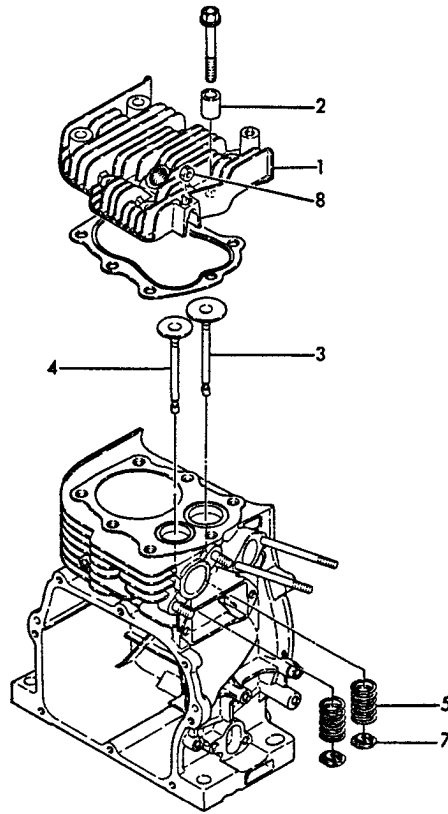
**1B04
(1B01)**

(3) LABEL

(A) = WP-3000 (D) =
(B) = (E) =
(C) = (F) =

REF. NO.	LEV.	O	PART NO.	DESCRIPTION	Q'TY					
					(A)	(B)	(C)	(D)	(E)	(F)
1	.	Y	160740-07150	LABEL (WP3000)	1					
2	.	Y	160611-07250	LABEL	1					
3	.	Y	160611-07260	LABEL	1					
4	.	Y	183210-07370	LABEL	1					
5	.	Y	160671-07371	LABEL (ECHO)	1					

4 CYLINDER HEAD



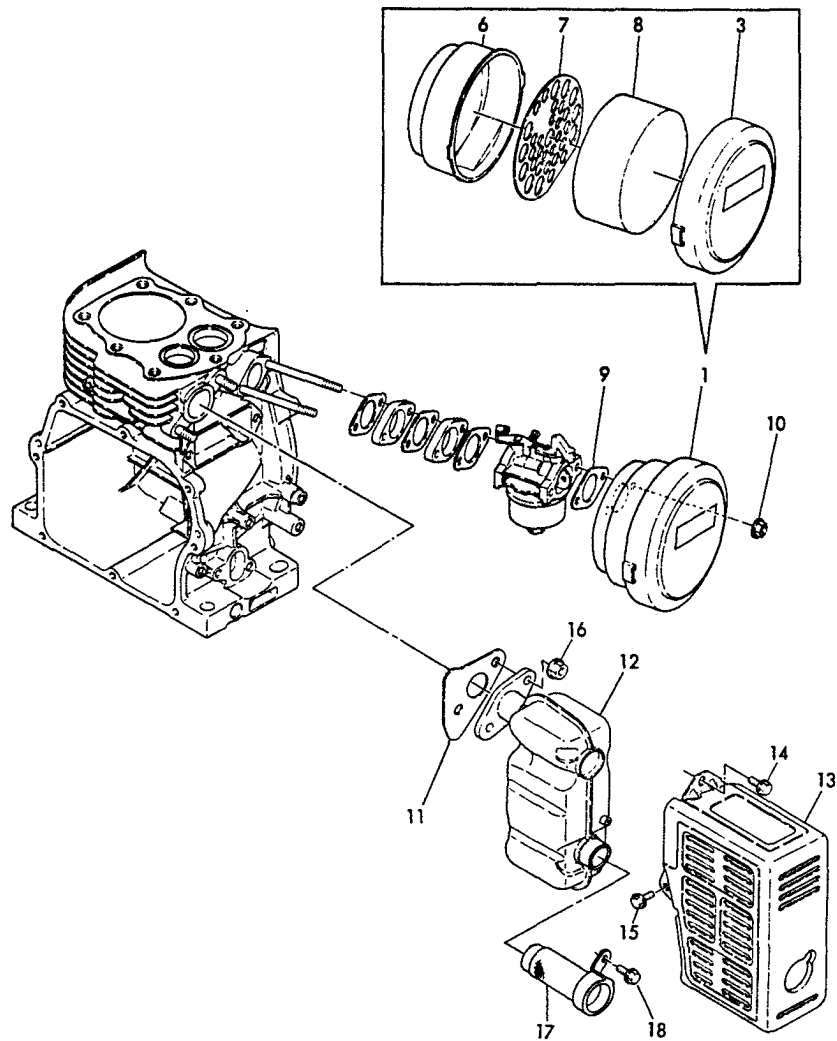
**1B05
(1B01)**

(4) CYLINDER HEAD

(A) = WP-3000 (D) =
 (B) = (E) =
 (C) = (F) =

REF. NO.	LEV.	O	PART NO.	DESCRIPTION	Q'TY					
					(A)	(B)	(C)	(D)	(E)	(F)
1	.	Y	160710-11010	HEAD, CYLINDER	1					
2	.	Y	160710-11050	SPACER	1					
3	.	Y	160710-11110	VALVE, SUCTION	1					
4	.	Y	160710-11110	VALVE, EXHAUST	1					
5	.	Y	160710-11120	SPRING, VALVE	2					
7	.	Y	160610-11180	RETAINER, SPRING	2					
8	.	Y	267560-60002	LOCK NUT M6 PLATED	1					

5 AIR CLEANER & MUFFLER



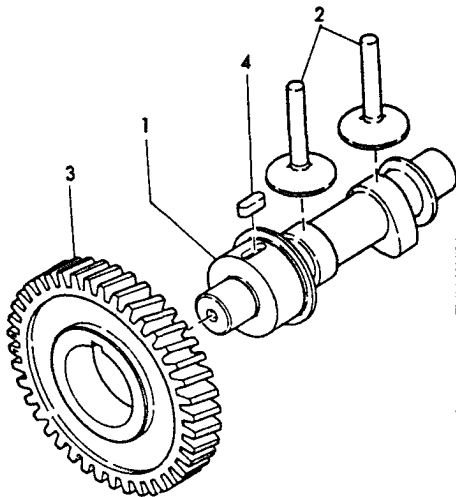
**1B06
(1B01)**

(5) AIR CLEANER & MUFFLER

(A) = WP-3000 (D) =
(B) = (E) =
(C) = (F) =

REF. NO.	LEV.	O	PART NO.	DESCRIPTION	Q'TY					
					(A)	(B)	(C)	(D)	(E)	(F)
1	.	Y	760710-12571	CLEANER ASSY, AIR	1					
3	..	Y	760710-12540	CAP ASSY, CLEANER	1					
6	..	Y	160710-12540	BODY, AIR CLEANER	1					
7	..	Y	160710-12550	HOLDER, ELEMENT	1					
8	..	Y	160260-12570	ELEMENT, AIR CLEANER	1					
9	.	Y	160610-56150	GASKET, CARBURETOR	1					
10	.	Y	263660-60002	NUT M6	2					
11	.	Y	160710-13200	GASKET, MUFFLER	1					
12	.	Y	160740-13500	MUFFLER	1					
13	.	Y	160740-13820	COVER, MUFFLER	1					
14	.	Y	261060-60122	BOLT M6 X 12	1					
15	.	Y	264760-60142	BOLT M6 X 14	2					
16	.	Y	263660-80002	NUTM 8	2					
17	.	Y	160770-13650	ARRESTOR, SPARK	1					
18	.	Y	261060-60102	BOLT M6 X 10	1					

6 CAMSHAFT



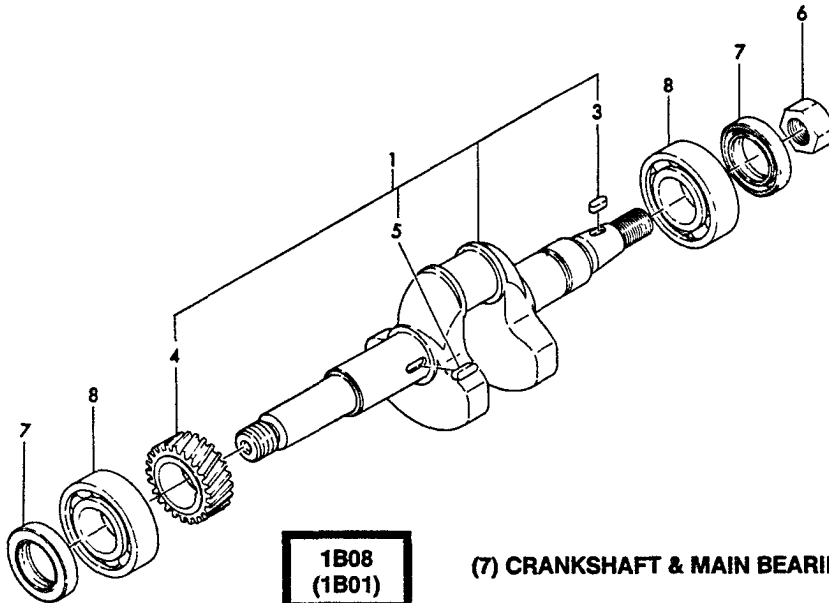
**1B07
(1B01)**

(6) CAMSHAFT

(A) = WP-3000 (D) =
(B) = (E) =
(C) = (F) =

REF. NO.	LEV.	O	PART NO.	DESCRIPTION	QTY					
					(A)	(B)	(C)	(D)	(E)	(F)
1	.		Y 160740-14011	CAMSHAFT	1					
2	.		Y 160710-14200	TAPPET	2					
3	.		Y 160710-95010	GEAR, CAMSHAFT	1					
4	.		Y 225120-40120	KEY 4 X 12	1					

7 CRANKSHAFT & MAIN BEARING



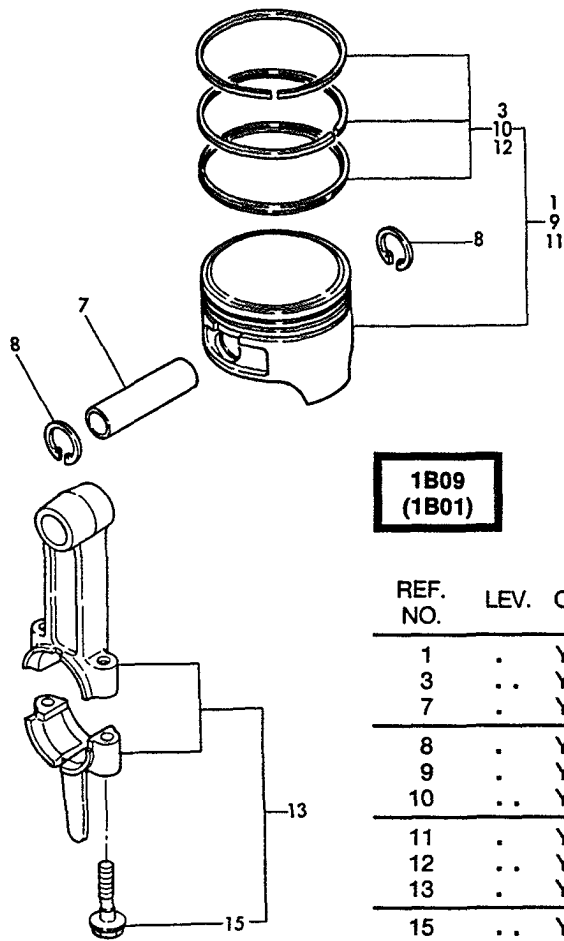
**1B08
(1B01)**

(7) CRANKSHAFT & MAIN BEARING

(A) = WP-3000 (D) =
(B) = (E) =
(C) = (F) =

REF. NO.	LEV.	O	PART NO.	DESCRIPTION	QTY					
					(A)	(B)	(C)	(D)	(E)	(F)
1	.		Y 760740-21701	CRANKSHAFT ASSY	1					
3	..		Y 160610-21290	KEY 4 X 10	1					
4	..		Y 160710-95020	GEAR, CRANKSHAFT	1					
5	..		Y 225120-40120	KEY 4 X 12	1					
6	.		Y 160610-04910	NUT M14	1					
7	.		Y 160210-02220	SEAL, OIL	2					
8	.		Y 241010-62050	BALL BEARING	2					

8 PISTON & CONNECTING ROD



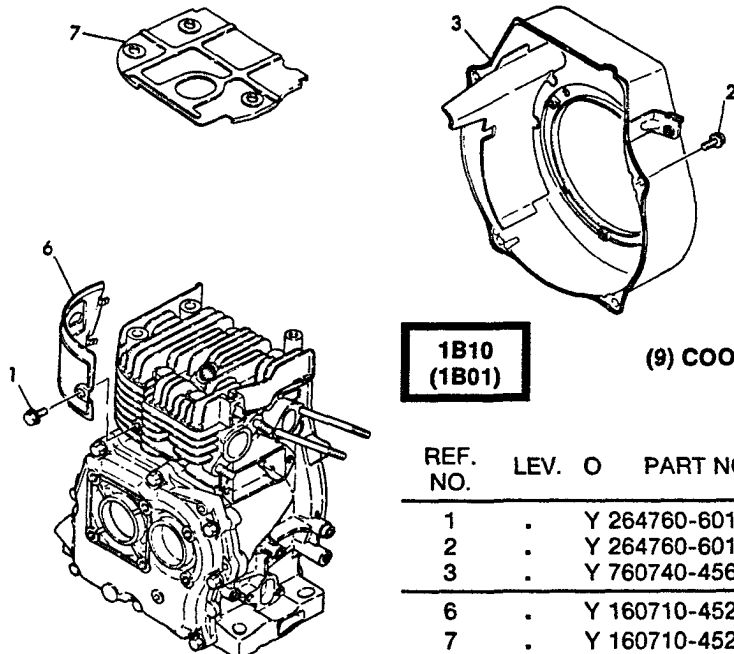
**1B09
(1B01)**

(8) PISTON & CONNECTING ROD

(A) = WP-3000 (D) =
 (B) = (E) =
 (C) = (F) =

REF. NO.	LEV.	O	PART NO.	DESCRIPTION	Q'TY					
					(A)	(B)	(C)	(D)	(E)	(F)
1	.	Y	160710-22011	PISTON W/RINGS	1					
3	..	Y	760710-22500	RING SET, PISTON	1					
7	.	Y	160710-22300	PIN, PISTON	1					
8	.	Y	222520-00160	CIRCLIP 16	2					
9	.	Y	160710-22470	PISTON ASSY O.S=0.25	1					
10	..	Y	760710-22540	RING SET O.S=0.25	1					
11	.	Y	160710-22480	PISTON ASSY O.S=0.5	1					
12	..	Y	760710-22550	RING SET O.S=0.5	1					
13	.	Y	760710-23101	ROD ASSY, CONNECTING	1					
15	..	Y	160710-23201	BOLT, ROD	2					

9 COOLING FAN CASE



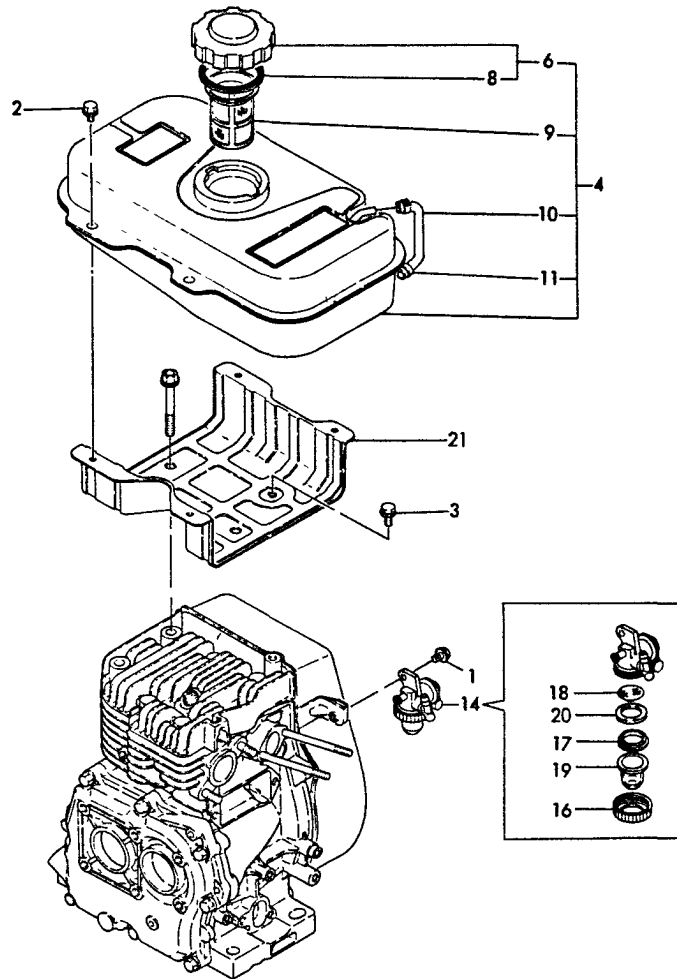
**1B10
(1B01)**

(9) COOLING FAN CASE

(A) = WP-3000 (D) =
 (B) = (E) =
 (C) = (F) =

REF. NO.	LEV.	O	PART NO.	DESCRIPTION	Q'TY					
					(A)	(B)	(C)	(D)	(E)	(F)
1	.	Y	264760-60142	BOLT M6 X 14	1					
2	.	Y	264760-60142	BOLT M6 X 14	4					
3	.	Y	760740-45611	CASE ASSY, FAN	1					
6	.	Y	160710-45201	PLATE	1					
7	.	Y	160710-45250	COVER	1					

10 FUEL TANK



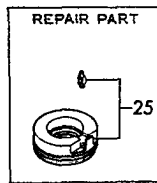
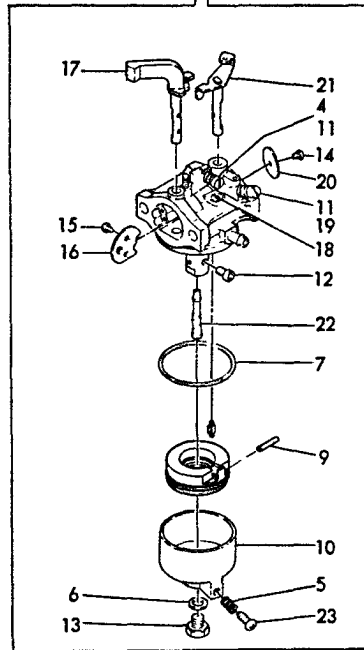
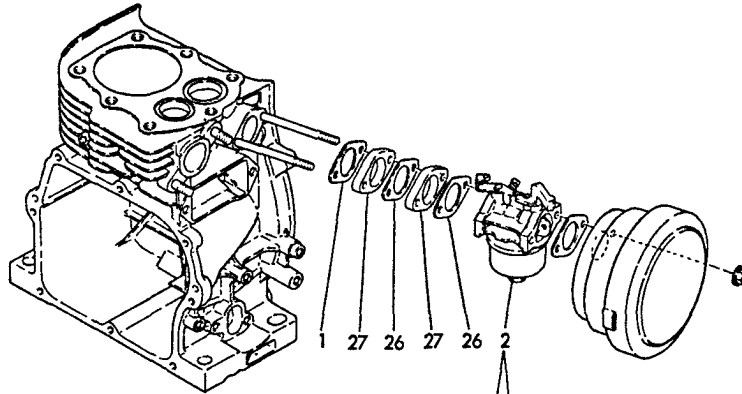
**1B11
(1B01)**

(10) FUEL TANK

(A) = WP-3000 (D) =
 (B) = (E) =
 (C) = (F) =

REF. NO.	LEV.	O	PART NO.	DESCRIPTION	Q'TY					
					(A)	(B)	(C)	(D)	(E)	(F)
1	.		Y 261060-60082	BOLT M6 X 8 PLATED	1					
2	.		Y 261060-60102	BOLT M6 X 10 PLATED	4					
3	.		Y 264760-60142	BOLT M6 X 14	1					
4	.		Y 760740-55700	FUEL TANK ASSY	1					
6	..		Y 160710-55060	CAP, FUEL TANK	1					
8	..		Y 160393-55050	GASKET	1					
9	..		Y 160710-55100	STRAINER	1					
10	..		Y 160710-55150	PIPE, GAUGE	1					
11	..		Y 124722-59050	CLAMP	2					
14	.		Y 160710-55301	COCK ASSY, FUEL	1					
16	..		Y 160710-55360	RETAINER	1					
17	..		Y 160710-55370	GASKET	1					
18	..		Y 160710-55381	STRAINER, FUEL	1					
19	..		Y 160710-55390	BOWL, STRAINER	1					
20	..		Y 160692-55421	PLATE	1					
21	.		Y 160740-55750	BRACKET, FUEL TANK	1					

11 CARBURETOR



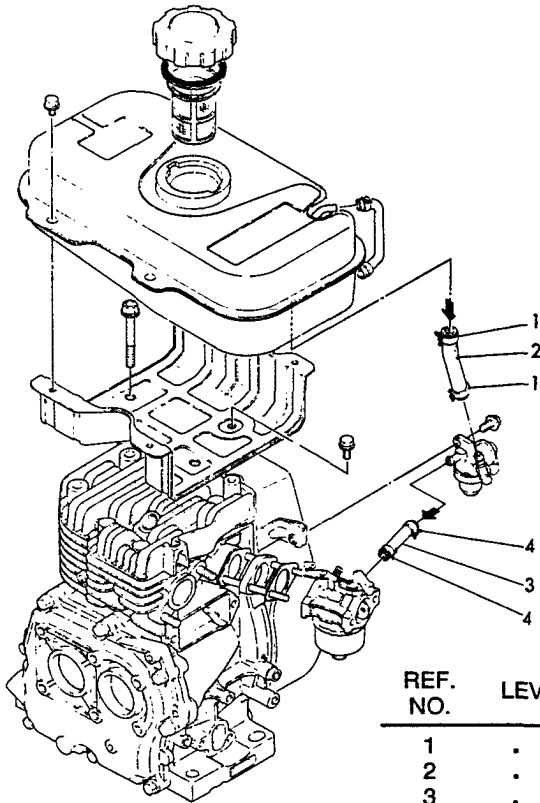
(11) CARBURETOR

(A) = WP-3000 (D) =
 (B) = (E) =
 (C) = (F) =

1B12
(1B01)

REF. NO.	LEV.	O	PART NO.	DESCRIPTION	Q'TY					
					(A)	(B)	(C)	(D)	(E)	(F)
1	.	Y	160310-13200	GASKET, SILENCER	1					
2	.	Y	160710-56010	CARBURETOR	1					
4	..	Y	181230-56370	SCREW	1					
5	..	Y	181230-56380	SPRING	1					
6	..	Y	160610-56550	GASKET	1					
7	..	Y	160610-56610	GASKET	1					
9	..	Y	160610-56631	PIN	1					
10	..	Y	160610-56640	BODY, CHAMBER	1					
11	..	Y	181230-56380	SPRING	2					
12	..	Y	160710-56650	JET, MAIN	1					
13	..	Y	160610-56660	BOLT	1					
14	..	Y	160120-56670	SCREW	1					
15	..	Y	160610-56670	SCREW	2					
16	..	Y	160710-56680	VALVE	1					
17	..	Y	160610-56690	SHAFT, CHOKE	1					
18	..	Y	160710-56740	JET, PILOT	1					
19	..	Y	160710-56751	SCREW, PILOT	1					
20	..	Y	160610-56760	VALVE, THROTTLE	1					
21	..	Y	160710-56770	SHAFT ASSY, THROTTLE	1					
22	..	Y	160710-56801	NOZZLE, MAIN	1					
23	..	Y	160610-56900	SCREW	1					
25	.	Y	160610-56250	NEEDLE ASSY (RUBBER)	1					
26	.	Y	160610-56150	GASKET, CARBURETOR	2					
27	.	Y	160610-56160	SPACER, CARBURETOR	2					

12 FUEL LINE



**1B13
(1B01)**

(12) FUEL LINE

(A) = WP-3000 (D) =
(B) = (E) =
(C) = (F) =

REF. NO.	LEV.	O	PART NO.	DESCRIPTION	Q'TY						
					(A)	(B)	(C)	(D)	(E)	(F)	
1	.		Y 106990-44660	CLAMP	2						
2	.		Y 160710-59350	PIPE (A), FUEL	1						
3	.		Y 160820-59360	PIPE (B), FUEL	1						
4	.		Y 106100-44680	CLAMP	2						

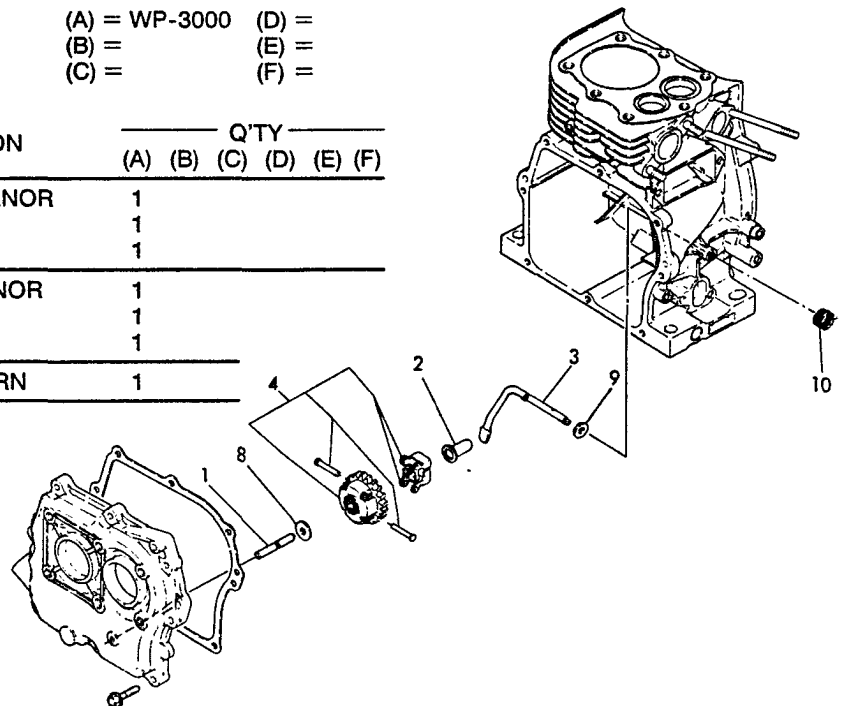
13 GOVERNOR

**1B14
(1B01)**

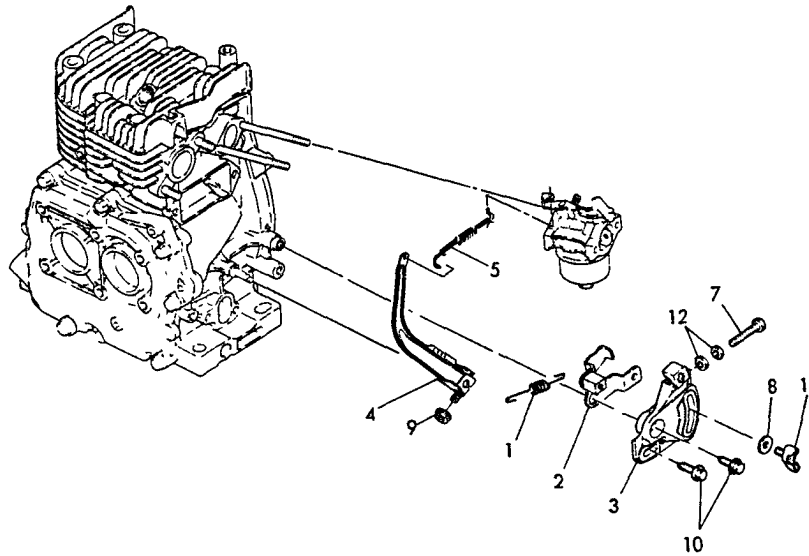
(13) GOVERNOR

(A) = WP-3000 (D) =
(B) = (E) =
(C) = (F) =

REF. NO.	LEV.	O	PART NO.	DESCRIPTION	Q'TY						
					(A)	(B)	(C)	(D)	(E)	(F)	
1	.		Y 160610-61100	SHAFT, GOVERNOR	1						
2	.		Y 160610-61300	SPINDLE	1						
3	.		Y 160710-61310	YOKE	1						
4	.		Y 160610-61600	GEAR, GOVERNOR	1						
8	.		Y 160720-13730	WASHER	1						
9	.		Y 221370-60000	WASHER 6	1						
10	.		Y 160611-66030	SPRING, RETURN	1						



14 CONTROL DEVICE



1B15
(1B01)

(14) CONTROL DEVICE

(A) = WP-3000 (D) =
(B) = (E) =
(C) = (F) =

REF. NO.	LEV.	O	PART NO.	DESCRIPTION	Q'TY					
					(A)	(B)	(C)	(D)	(E)	(F)
1	.	Y	160710-66020	SPRING, REGULATOR	1					
2	.	Y	160650-66050	HANDLE ASSY, REGULATOR	1					
3	.	Y	160610-66100	BRACKET, REGULATOR	1					
4	.	Y	160710-66151	LEVER, GOVERNOR	1					
5	.	Y	160610-66201	LINK, THROTTLE	1					
6	.	Y	160710-66220	SPRING, TENSION	1					
7	.	Y	160611-66440	BOLT	1					
8	.	Y	160720-13730	WASHER	1					
9	.	Y	263660-60002	NUT M 6	1					
10	.	Y	264760-60202	BOLT M6 X 20	2					
11	.	Y	266450-60152	WING BOLT M6 X 15	1					
12	.	Y	267560-60002	LOCK NUT M6 PLATED	2					

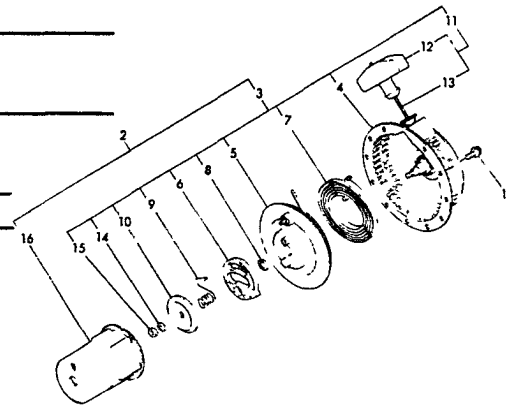
15 STARTER

**1B16
(1B01)**

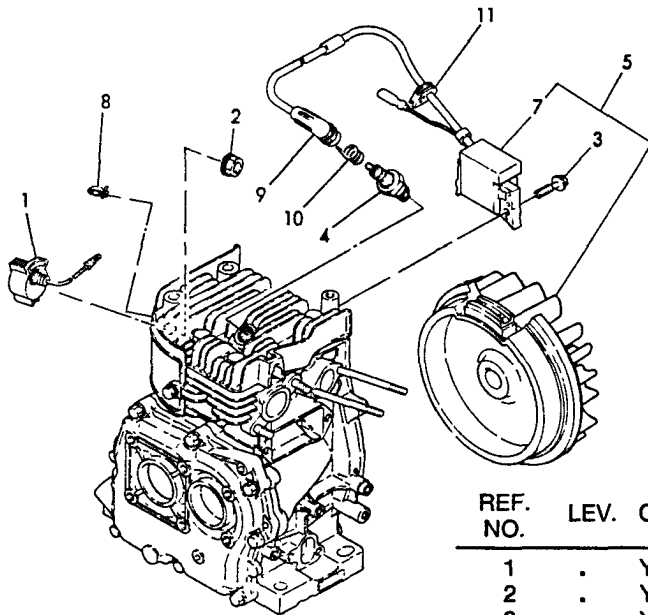
(15) STARTER

(A) = WP-3000 (D) =
(B) = (E) =
(C) = (F) =

REF. NO.	LEV.	O	PART NO.	DESCRIPTION	Q'TY					
					(A)	(B)	(C)	(D)	(E)	(F)
1	.	Y	261060-60082	BOLT M6 X 8 PLATED	3					
2	.	Y	160740-76050	STARTER ASSY, RECOIL	1					
3	..	Y	160740-76250	RE-COIL ASSY	1					
4	...	Y	160740-76510	CASE, STARTER	1					
5	...	Y	160710-76520	REEL	1					
6	...	Y	160610-76530	RATCHET	1					
7	...	Y	160710-76540	SPRING, SPIRAL	1					
8	...	Y	160610-76550	WASHER	1					
9	...	Y	160740-76560	SPRING, FRICTION	1					
10	...	Y	160610-76580	PLATE, FRICTION	1					
11	...	Y	160260-76610	ROPE ASSY, STARTER	1					
12	Y	160260-76620	KNOB	1					
13	Y	160260-76630	ROPE, STARTER	1					
14	...	Y	222170-60000	SPRING WASHER 6	1					
15	...	Y	267160-60002	NUT 6	1					
16	..	Y	160710-76590	PULLEY, STARTER	1					



16 STOP SWITCH & FLYWHEEL MAGNETO



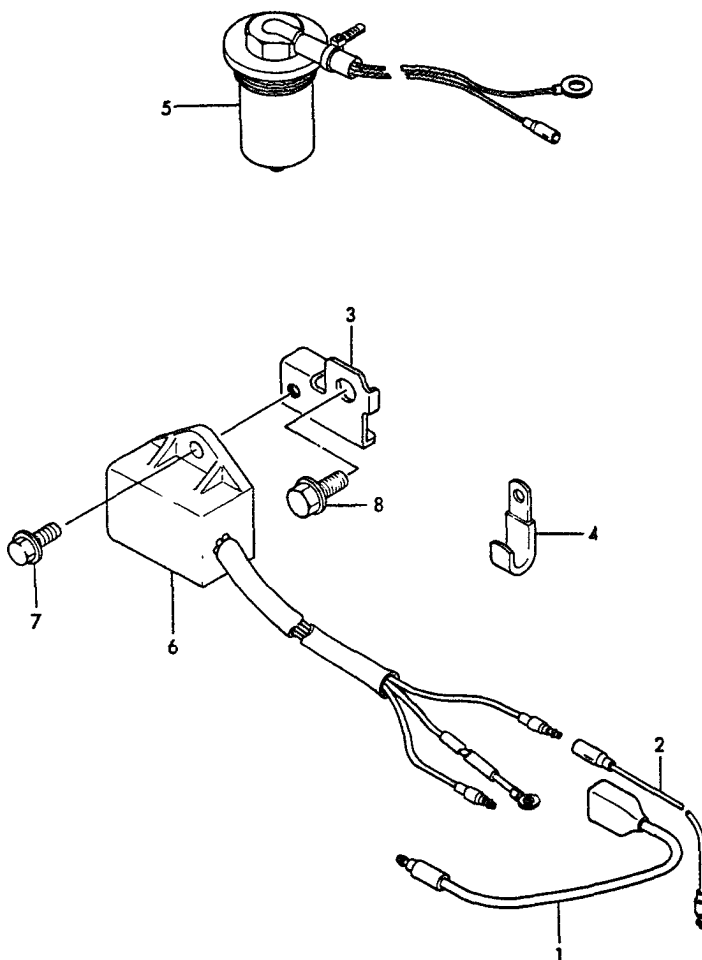
**1C01
(1B01)**

(16) STOP SWITCH & FLYWHEEL MAGNETO

(A) = WP-3000 (D) =
(B) = (E) =
(C) = (F) =

REF. NO.	LEV.	O	PART NO.	DESCRIPTION	Q'TY					
					(A)	(B)	(C)	(D)	(E)	(F)
1	.	Y	160611-77250	SWITCH, STOP	1					
2	.	Y	263660-80002	NUT M8	1					
3	.	Y	264760-60252	BOLT M6 X 25	2					
4	.	Y	160232-78010	PLUG, SPARK	1					
5	.	Y	160740-78061	FLYWHEEL MAG. ASSY	1					
7	..	Y	160710-78511	COIL, IGNITION	1					
8	.	Y	160710-78700	CLAMP, CORD	1					
9	.	Y	160700-78040	CAP, PLUG	1					
10	.	Y	160700-78050	TERMINAL, PLUG	1					
11	.	Y	160700-78720	GROMMET	1					

17 OIL SENSOR



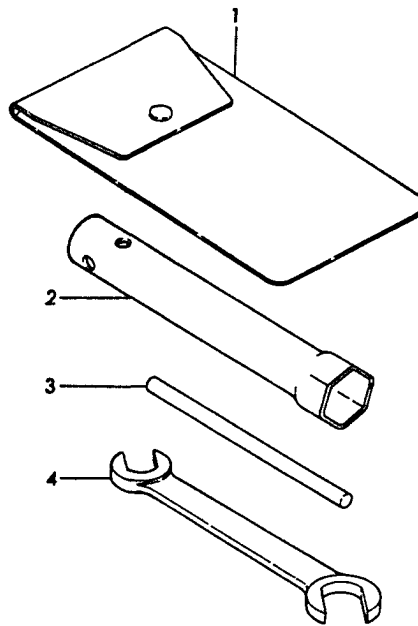
1C02
(1B01)

(17) OIL SENSOR

(A) = WP-3000 (D) =
(B) = (E) =
(C) = (F) =

REF. NO.	LEV.	O	PART NO.	DESCRIPTION	Q'TY					
					(A)	(B)	(C)	(D)	(E)	(F)
1	.	Y	160671-78200	WIRE	1					
2	.	Y	160820-78200	WIRE	1					
3	.	Y	160671-78350	STAY, SENSOR UNIT	1					
4	.	Y	160710-78710	CLAMP	1					
5	.	Y	160641-78810	SENSOR UNIT, OIL	1					
6	.	Y	160770-78820	SENSOR, OIL LEVEL	1					
7	.	Y	261060-60122	BOLT M6 X 12	1					
8	.	Y	261060-80142	BOLT M8 X 14	1					

18 TOOL



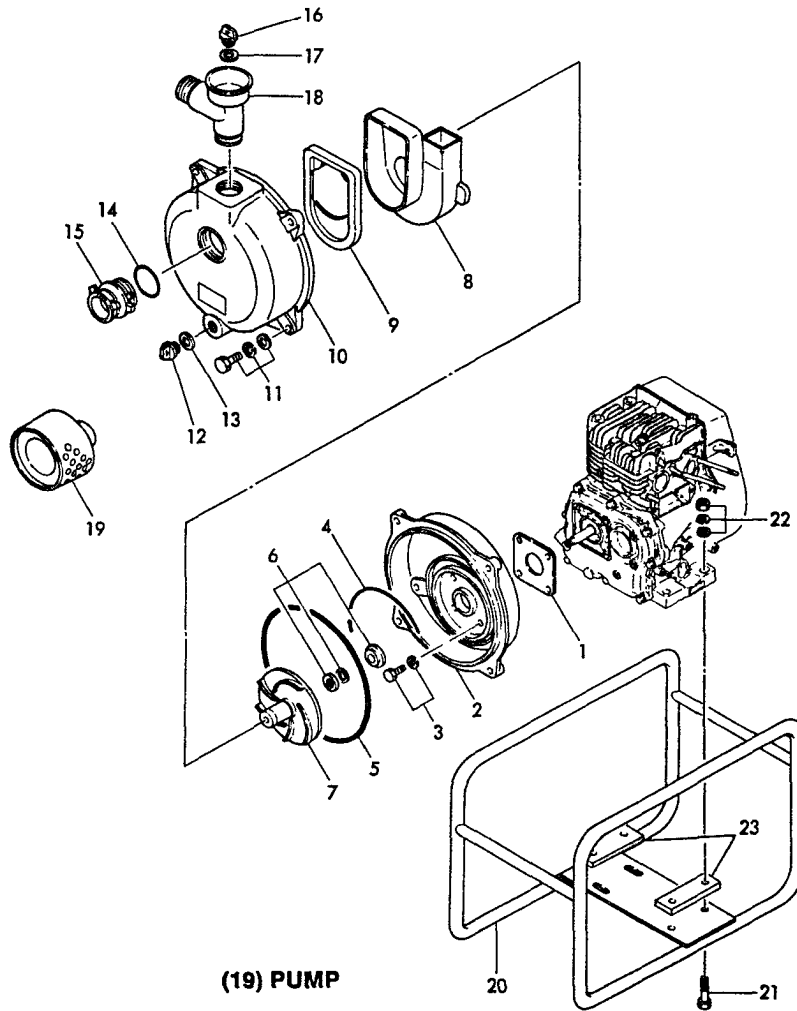
**1C03
(1B01)**

(18) TOOL

(A) = WP-3000 (D) =
 (B) = (E) =
 (C) = (F) =

REF. NO.	LEV.	O	PART NO.	DESCRIPTION	Q'TY					
					(A)	(B)	(C)	(D)	(E)	(F)
1	.		Y 160110-92610	BAG, TOOL	1					
2	.		Y 160120-92700	WRENCH, BOX	1					
3	.		Y 160110-92710	BAR	1					
4	.		Y 281101-00120	WRENCH 10 X 12	1					

19 PUMP



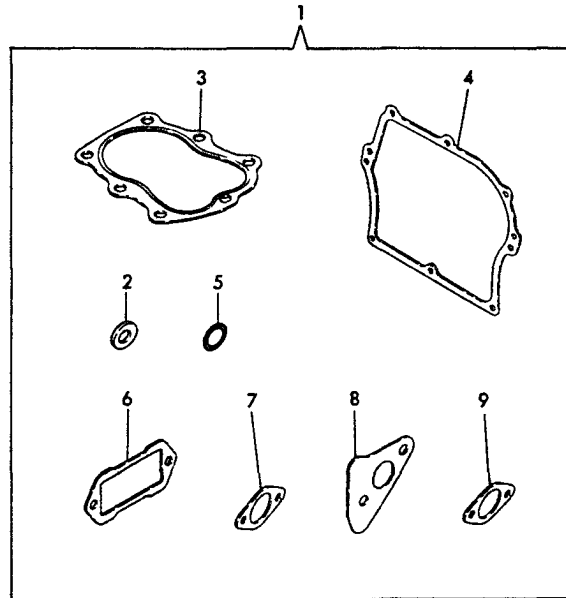
**1C04
(1B01)**

(19) PUMP

(A) = WP-3000 (D) =
 (B) = (E) =
 (C) = (F) =

REF. NO.	LEV.	O	PART NO.	DESCRIPTION	QTY					
					(A)	(B)	(C)	(D)	(E)	(F)
1	.	Y	160740-95110	GASKET, CASING	1					
2	.	Y	160740-95120	CASING	1					
3	.	Y	160740-95130	BOLT, CASING	4					
4	.	Y	160740-95140	GASKET, THREAD	1					
5	.	Y	160740-95150	O-RING, CASING	1					
6	.	Y	160740-95160	SEAL, MECHANICAL	1					
7	.	Y	160740-95170	IMPELLER Shim 0.2 Y80020000000	1					
8	.	Y	160740-95180	HOUSING	1					
9	.	Y	160740-95190	VALVE, STOP	1					
10	.	Y	160740-95200	COVER	1					
11	.	Y	160740-95210	BOLT, COVER	4					
12	.	Y	160740-95220	CAP, DRAIN	1					
13	.	Y	160740-95230	GASKET, CAP	1					
14	.	Y	160740-95240	O-RING, HOSE NIPPLE	1					
15	.	Y	160740-95250	NIPPLE, HOSE	1					
16	.	Y	160740-95260	CAP, DELIVERY	1					
17	.	Y	160740-95270	GASKET, DELIVERY	1					
18	.	Y	160740-95280	BEND, DELIVERY	1					
19	.	Y	160740-95290	STRAINER	1					
20	.	Y	160740-95300	BASE	1					
21	.	Y	160740-95310	BOLT, ENGINE	4					
22	.	Y	160740-95320	NUT, ENGINE	4					
23	.	Y	160664-95330	PLATE	2					

20 GASKET SET (OPTIONAL)



**1C05
(1B01)**

(20) GASKET SET (OPTIONAL)

(A) = WP-3000 (D) =
 (B) = (E) =
 (C) = (F) =

REF. NO.	LEV.	O	PART NO.	DESCRIPTION	Q'TY					
					(A)	(B)	(C)	(D)	(E)	(F)
1	.		Y 760770-92600	GASKET SET	1					
2	..		Y 104200-59170	GASKET	1					
3	..		Y 160710-01330	GASKET, CYL. HEAD	1					
4	..		Y 160710-01410	GASKET, COVER	1					
5	..		Y 243110-00180	O-RING 1A P-18.0	1					
6	..		Y 160710-03070	GASKET	1					
7	..		Y 160610-56150	GASKET	3					
8	..		Y 160710-13200	GASKET, SILENCER	1					
9	..		Y 160310-13200	GASKET, SILENCER	1					