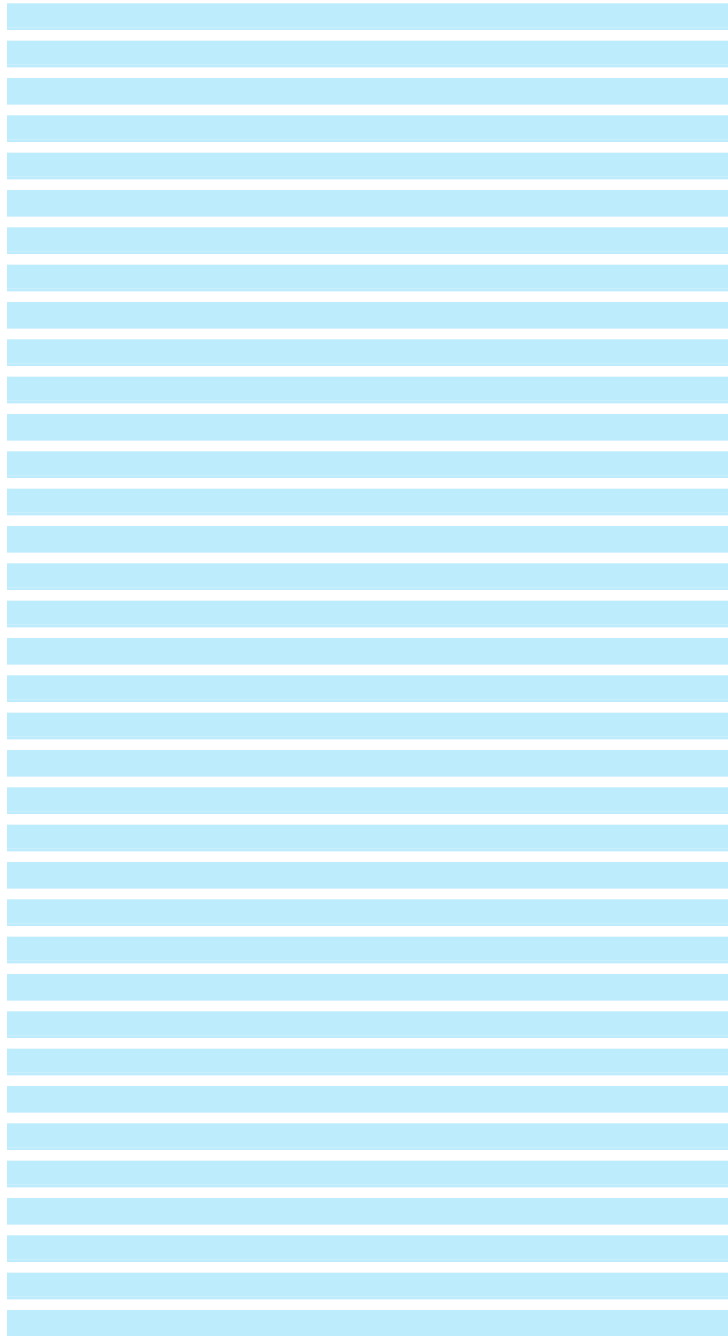




Accessories for ECHO products can be found at:
Los accesorios para los productos ECHO se pueden encontrar en:
<http://www.echo-usa.com/Products/Accessories>



PARTS CATALOG
LISTA DE PIEZAS

DSRM-2600U
Brushcutter

DSRM-2600U Desmalezadora



56V Battery

SERIAL NUMBER
NÚMERO DE SERIE

U56500001001 - U56500999999

ECHO Incorporated

400 Oakwood Road, Lake Zurich, Illinois 60047

WWW.ECHO-USA.COM

©2025 ECHO Incorporated. All Rights Reserved

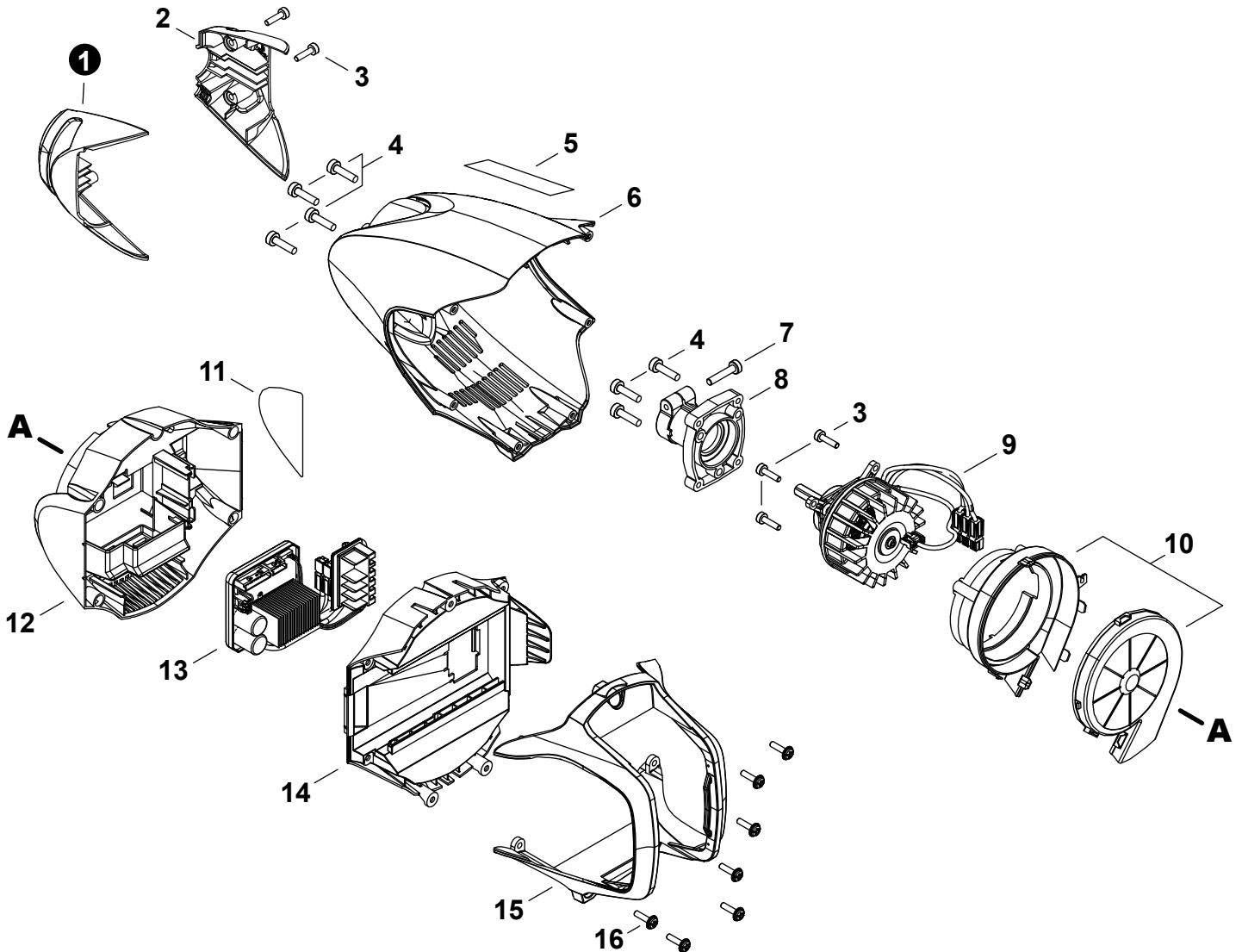
P/N 99922205818
REVISED 04/22/25

Table of Contents

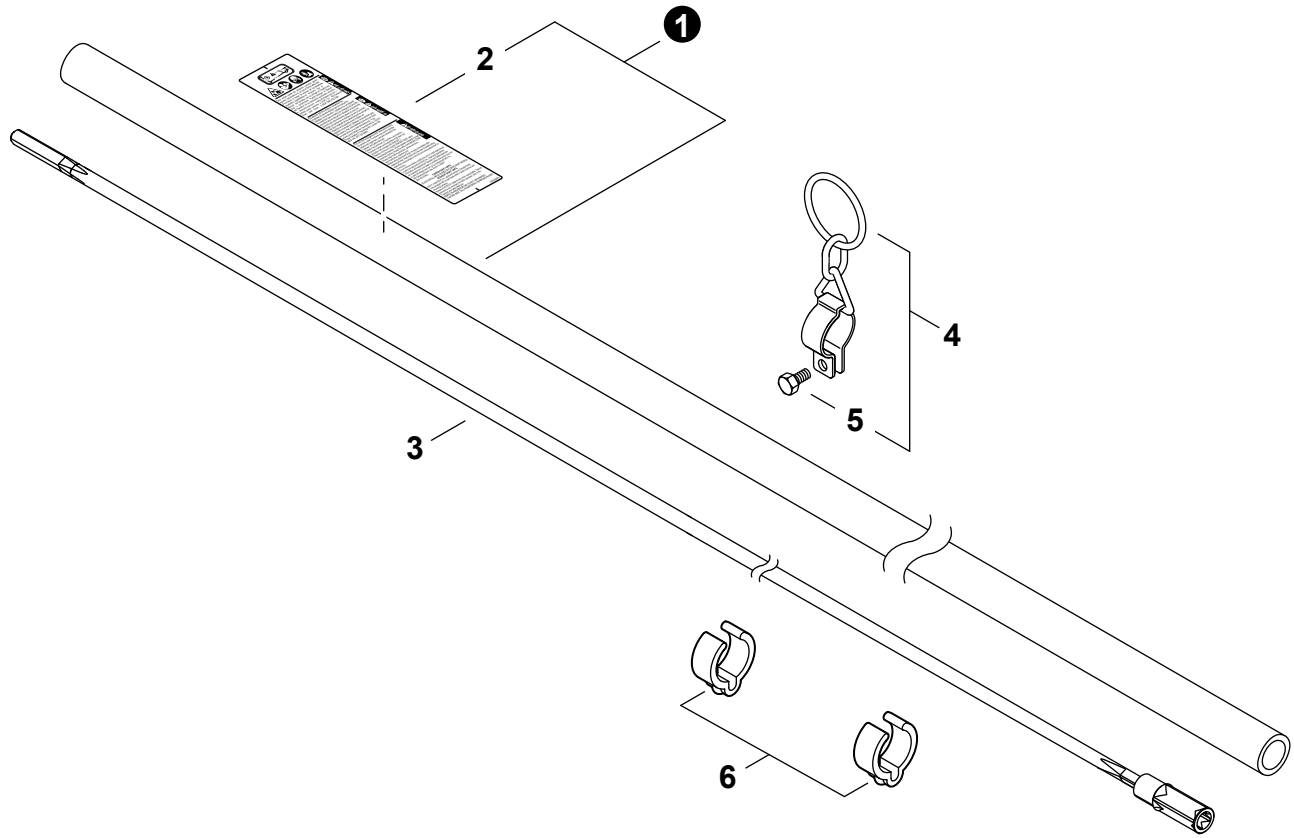
Tabla de contenido

 **DSRM-2600U**
Brushcutter / Desmalezadora

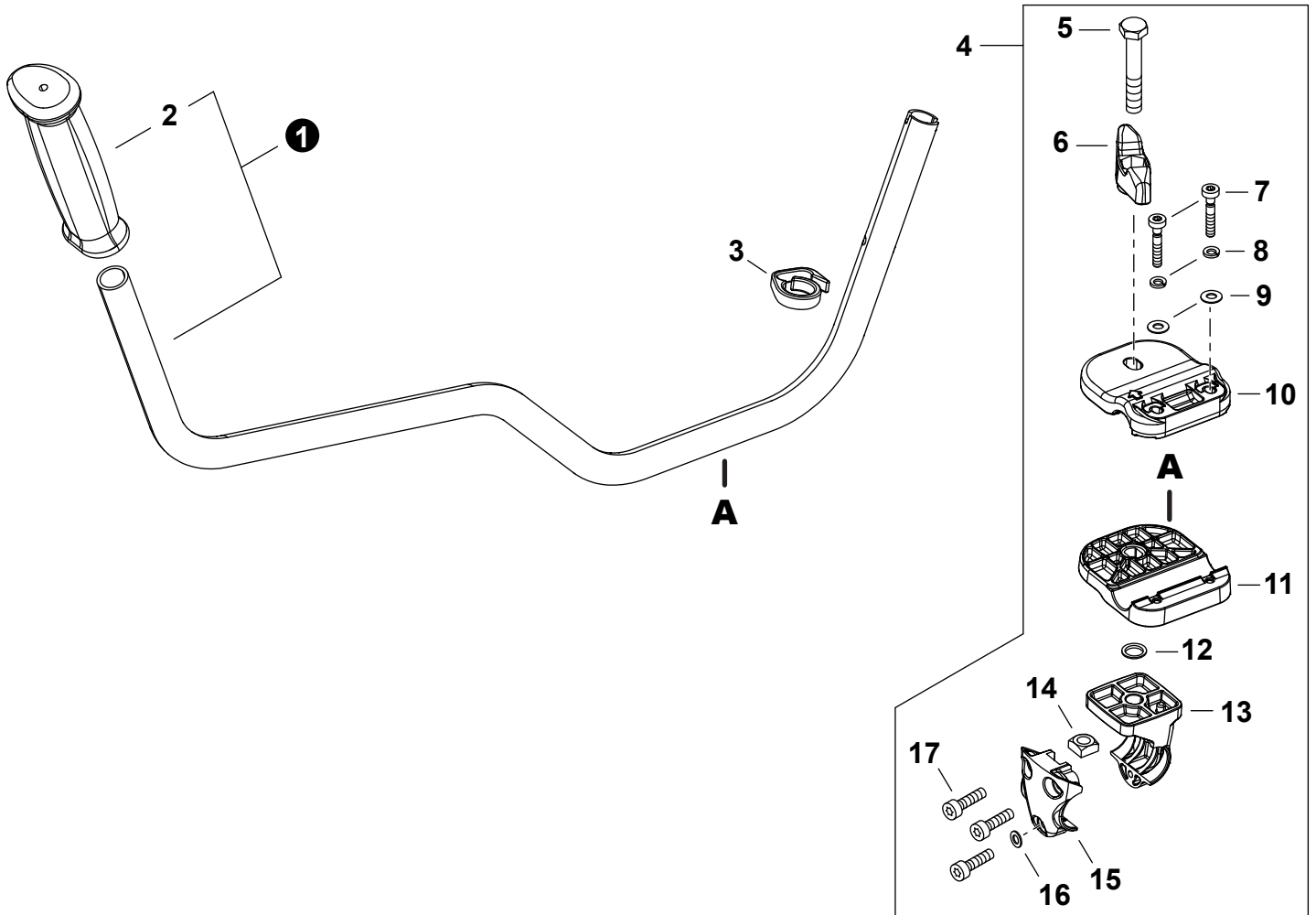
| | |
|--|-----------|
| Motor | 3 |
| Motor | |
| Main Pipe | 4 |
| Tubo principle | |
| Handlebar | 5 |
| Mango de U | |
| Control Handle - 1-Step Trigger | 6 |
| Mango de control - Gatillo de 1 paso | |
| Control Handle - 2-Step Trigger | 7 |
| Mango de control - Gatillo de 2 pasos | |
| Gear Case | 8 |
| Caja de engranajes | |
| Debris Shield | 9 |
| Protector contra residuos | |
| Debris Shield - Blade | 10 |
| Protector contra residuos - Cuchilla | |
| Trimmer Head - SPEED-FEED® 400 | 11 |
| Cabezal SPEED-FEED 400 | |
| Harness | 12 |
| Arnés | |
| Tools | 12 |
| Herramientas | |
| Accessories | 13 |
| Accesorios | |



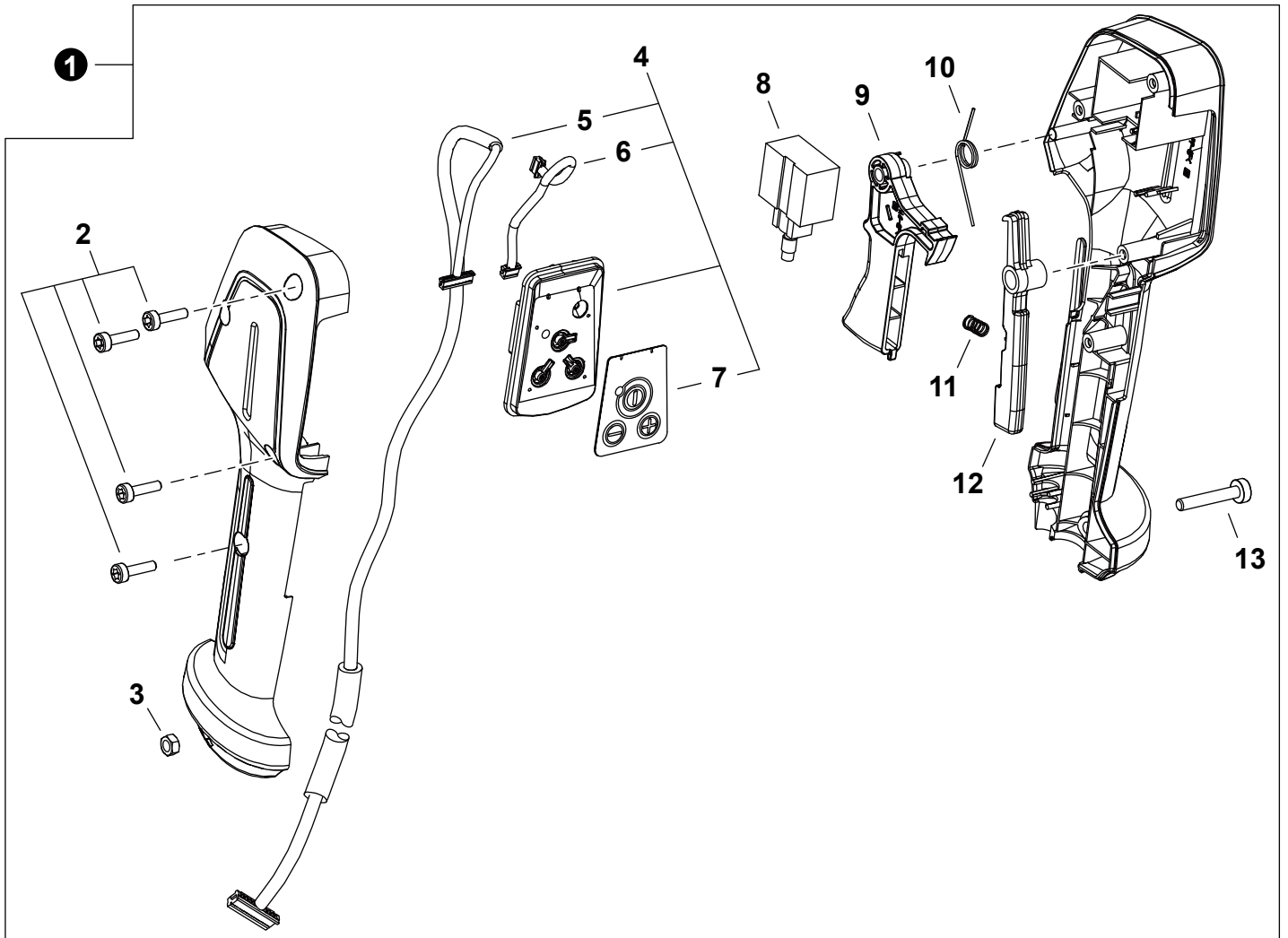
| NO. | PART NUMBER | QTY. | DESCRIPTION | DESCRIPCIÓN |
|-----|-------------|------|--------------------------|-----------------------------------|
| 1 | X424000090 | 1 | COVER, MOTOR - LEFT | CUBIERTA DE MOTOR - IZQUIERDA |
| 2 | X424000080 | 1 | COVER, MOTOR - RIGHT | CUBIERTA DE MOTOR - DERECHO |
| 3 | V804000170 | 5 | BOLT, TORX 4x16 | PERNO TORX 4x16 |
| 4 | V805000160 | 7 | BOLT, TORX 5x20 | PERNO TORX 5x20 |
| 5 | X502000390 | 1 | LABEL - ECHO | ETIQUETA ECHO |
| 6 | A539000490 | 1 | COVER, MOTOR | CUBIERTA DE MOTOR |
| 7 | V805000170 | 1 | BOLT, TORX 5x25 | PERNO TORX 5x25 |
| 8 | A575000770 | 1 | HOLDER, MAIN PIPE | SUJETADOR DE TUBO PRINCIPAL |
| 9 | A054000440 | 1 | MOTOR ASSY | MONTAJE DE MOTOR |
| 10 | P021054020 | 1 | CASE ASSY, FAN | MONTAJE DE CARCASA DEL VENTILADOR |
| 11 | X503016110 | 1 | LABEL - MODEL DSRM-2600U | ETIQUETA - MODELO DSRM-2600U |
| 12 | A161000440 | 1 | DUCT, AIR | DUCTO DE AIRE |
| 13 | A047000520 | 1 | CONTROL BOARD ASSY | MONTAJE DE TABLERO DE CONTROL |
| 14 | C146000030 | 1 | HOLDER, BATTERY | SOPORTE, BATERÍA |
| 15 | C145000190 | 1 | COVER, BATTERY | CUBIERTA DE BATERÍA |
| 16 | V804000190 | 7 | BOLT, TORX 4x16 | PERNO TORX 4x16 |



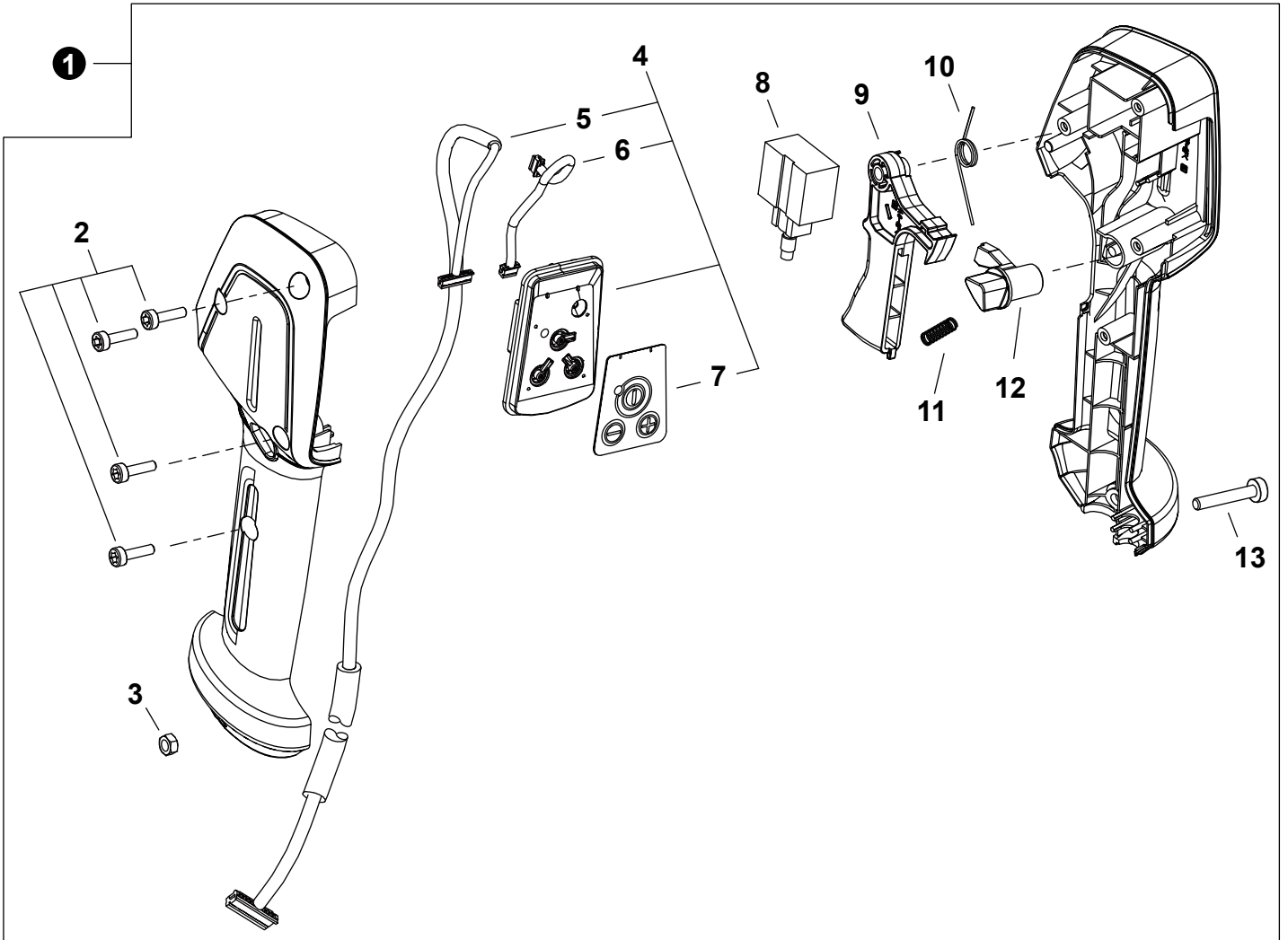
| NO. | PART NUMBER | QTY. | DESCRIPTION | DESCRIPCIÓN |
|-----|-------------|------|-----------------------|----------------------------|
| 1 | P021053970 | 1 | MAIN PIPE ASSY | MONTAJE DE TUBO PRINCIPAL |
| 2 | X505009800 | 1 | +LABEL - CAUTION | +ETIQUETA DE PRECAUCIÓN |
| 3 | C506000660 | 1 | DRIVESHAFT - FLEXIBLE | EJE DE MANDO - FLEXIBLE |
| 4 | C646000060 | 1 | HANGER SET, HARNESS | JUEGO DE COLGADOR DE ARNÉS |
| 5 | V805000140 | 1 | +BOLT, TORX 5x12 | +PERNO TORX 5x12 |
| 6 | 22492452130 | 2 | CLIP, CABLE 25 MM | SUJETADOR DE CABLE 25 MM |



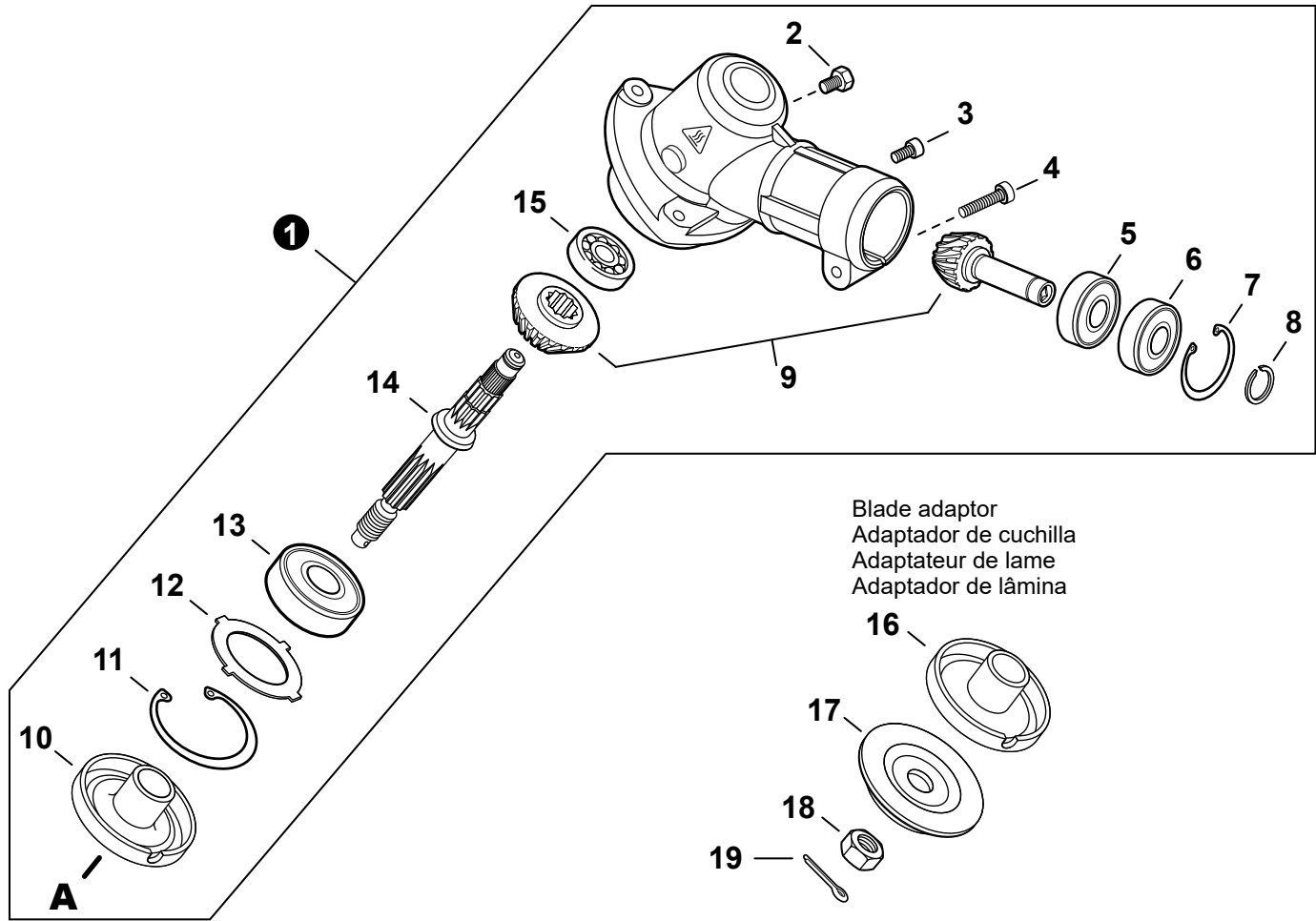
| NO. | PART NUMBER | QTY. | DESCRIPTION | DESCRIPCIÓN |
|-----|-------------|------|----------------------------|------------------------------------|
| 1 | P100010560 | 1 | HANDLEBAR ASSY | MONTAJE DE MANUBRIO TIPO BICICLETA |
| 2 | C403000031 | 1 | +GRIP, HANDLE | +AGARRE |
| 3 | 15911209961 | 1 | CLIP, CABLE | SUJETADOR DE CABLE |
| 4 | P100010570 | 1 | BRACKET KIT, HANDLEBAR | JUEGO DE SOPORTE DE MANUBRIO |
| 5 | V205001400 | 1 | +BOLT M8x1.25 | +PERNO M8x1.25 |
| 6 | V299000680 | 1 | +KNOB, FASTENER | +PERILLA DE FIJACIÓN |
| 7 | V203002500 | 2 | +BOLT 5x30 | +PERNO 5x30 |
| 8 | 90060500005 | 2 | +WASHER, SPRING 5 | +ARANDELA DE PRESION 5 |
| 9 | 90062000005 | 2 | +WASHER | +ARANDELA |
| 10 | C423001090 | 1 | +BRACKET, HANDLE - UPPER | +SOPORTE, MANGO - SUPERIOR |
| 11 | C423001100 | 1 | +BRACKET, HANDLE - LOWER | +SOPORTE, MANGO - INFERIOR |
| 12 | 90072020007 | 1 | +O-RING 7 | +JUNTA TÓRICA 7 |
| 13 | C423001110 | 1 | +BRACKET, MOUNTING - RIGHT | +SOPORTE DE MONTAJE - DERECHO |
| 14 | 90056550008 | 1 | +NUT 8x1.25 | +TUERCA 8x1.25 |
| 15 | C423001120 | 1 | +BRACKET, MOUNTING - LEFT | +SOPORTE DE MONTAJE - IZQUIERDA |
| 16 | 90060000005 | 1 | +WASHER, FLAT 5.5x10x0.8 | +ARANDELA 5.5x10x0.8 |
| 17 | V805000170 | 3 | +BOLT, TORX 5x25 | +PERNO TORX 5x25 |



| NO. | PART NUMBER | QTY. | DESCRIPTION | DESCRIPCIÓN |
|-----|-------------|------|--------------------------|---|
| 1 | P100010880 | 1 | CONTROL HANDLE ASSY | MONTAJE DE MANGO DE CONTROL |
| 2 | V804000170 | 4 | +BOLT, TORX 4x16 | +PERNO TORX 4x16 |
| 3 | 90059000005 | 1 | +NUT M5 | +TUERCA M5 |
| 4 | A047000470 | 1 | +SWITCH ASSY, ON-OFF | +MONTAJE DE INTERRUPTOR ENCENDIDO-APAGADO |
| 5 | C130001170 | 1 | ++HARNESS, WIRE - MAIN | ++ARNÉS DE CABLES - PRINCIPAL |
| 6 | C130001160 | 1 | ++HARNESS, WIRE - SWITCH | ++ARNÉS DE CABLES - INTERRUPTOR |
| 7 | X510001290 | 1 | ++LABEL - SWITCH | ++ETIQUETA - INTERRUPTOR |
| 8 | G334001830 | 1 | +SWITCH, SPEED CONTROL | +INTERRUPTOR DE CONTROL DE VELOCIDAD |
| 9 | J361000810 | 1 | +TRIGGER, THROTTLE | +GATILLO DEL ACELERADOR |
| 10 | V452002010 | 1 | +SPRING, TORSION | +RESORTE DE TORSIÓN |
| 11 | V450000860 | 1 | +SPRING, COIL | +RESORTE ESPIRAL |
| 12 | C490000030 | 1 | +LOCKOUT, THROTTLE | +SEGURO DEL ACELERADOR |
| 13 | V805000050 | 1 | +BOLT, TORX 5x30 | +PERNO TORX 5x30 |

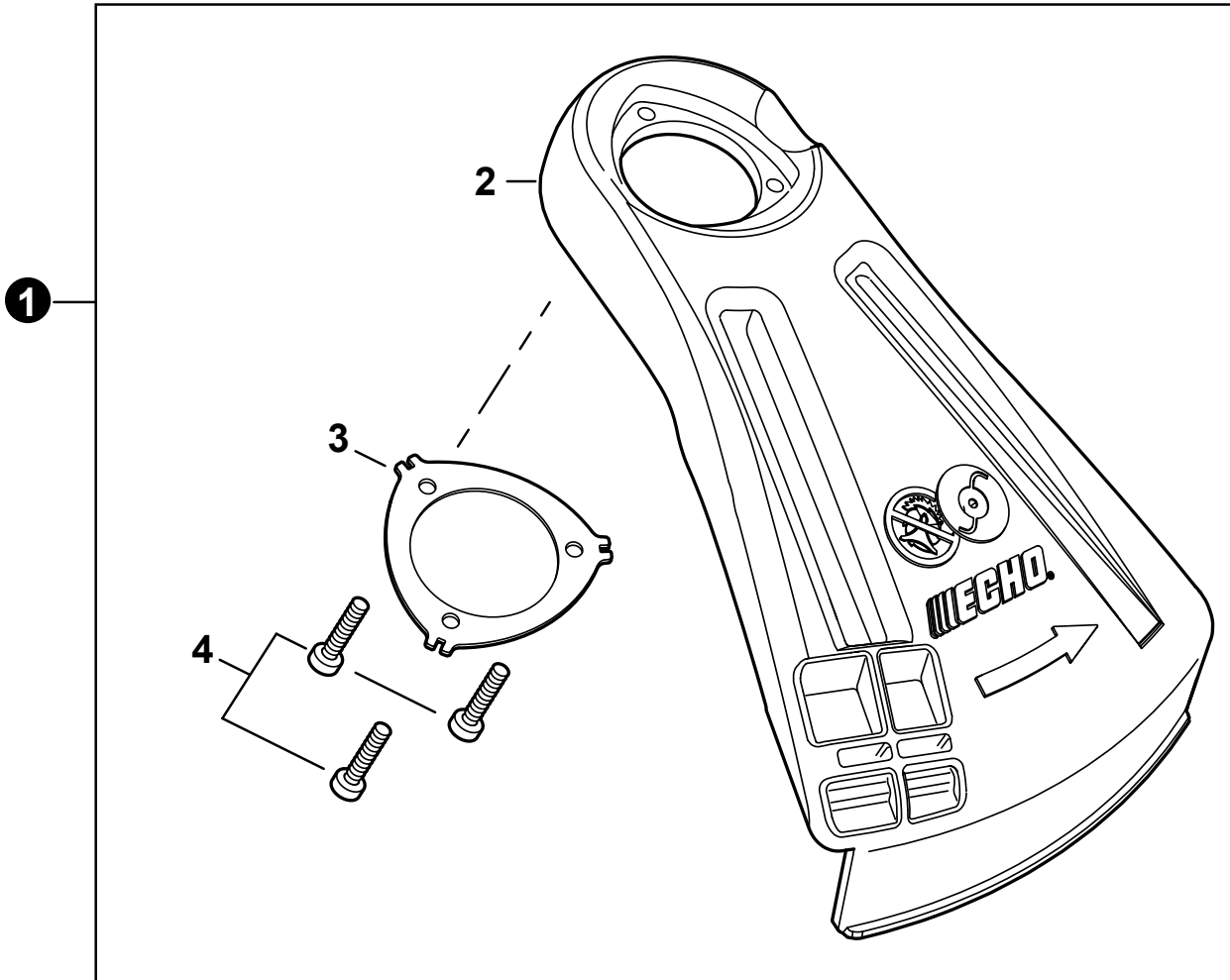


| NO. | PART NUMBER | QTY. | DESCRIPTION | DESCRIPCIÓN |
|-----|-------------|------|--------------------------|---|
| 1 | P021055940 | 1 | CONTROL HANDLE ASSY | MONTAJE DE MANGO DE CONTROL |
| 2 | V804000170 | 4 | +BOLT, TORX 4x16 | +PERNO TORX 4x16 |
| 3 | 90059000005 | 1 | +NUT M5 | +TUERCA M5 |
| 4 | A047000470 | 1 | +SWITCH ASSY, ON-OFF | +MONTAJE DE INTERRUPTOR ENCENDIDO-APAGADO |
| 5 | C130001170 | 1 | ++HARNESS, WIRE - MAIN | ++ARNÉS DE CABLES - PRINCIPAL |
| 6 | C130001160 | 1 | ++HARNESS, WIRE - SWITCH | ++ARNÉS DE CABLES - INTERRUPTOR |
| 7 | X510001290 | 1 | ++LABEL - SWITCH | ++ETIQUETA - INTERRUPTOR |
| 8 | G334001830 | 1 | +SWITCH, SPEED CONTROL | +INTERRUPTOR DE CONTROL DE VELOCIDAD |
| 9 | J361000810 | 1 | +TRIGGER, THROTTLE | +GATILLO DEL ACELERADOR |
| 10 | V452002010 | 1 | +SPRING, TORSION | +RESORTE DE TORSIÓN |
| 11 | V450002250 | 1 | +SPRING, COIL | +RESORTE ESPIRAL |
| 12 | C490000100 | 1 | +LOCKOUT, THROTTLE | +SEGURO DEL ACELERADOR |
| 13 | V805000050 | 1 | +BOLT, TORX 5x30 | +PERNO TORX 5x30 |

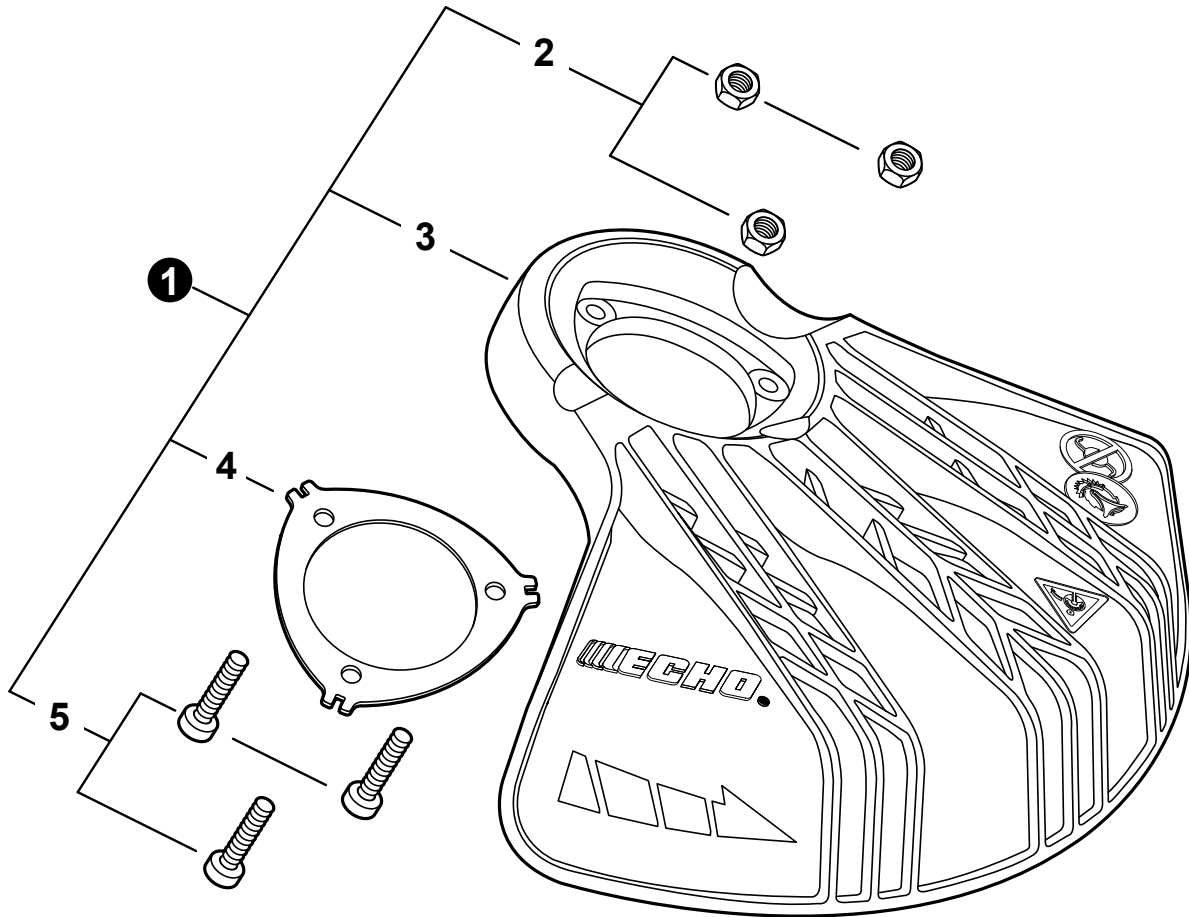


Blade adaptor
Adaptador de cuchilla
Adaptateur de lame
Adaptador de lâmina

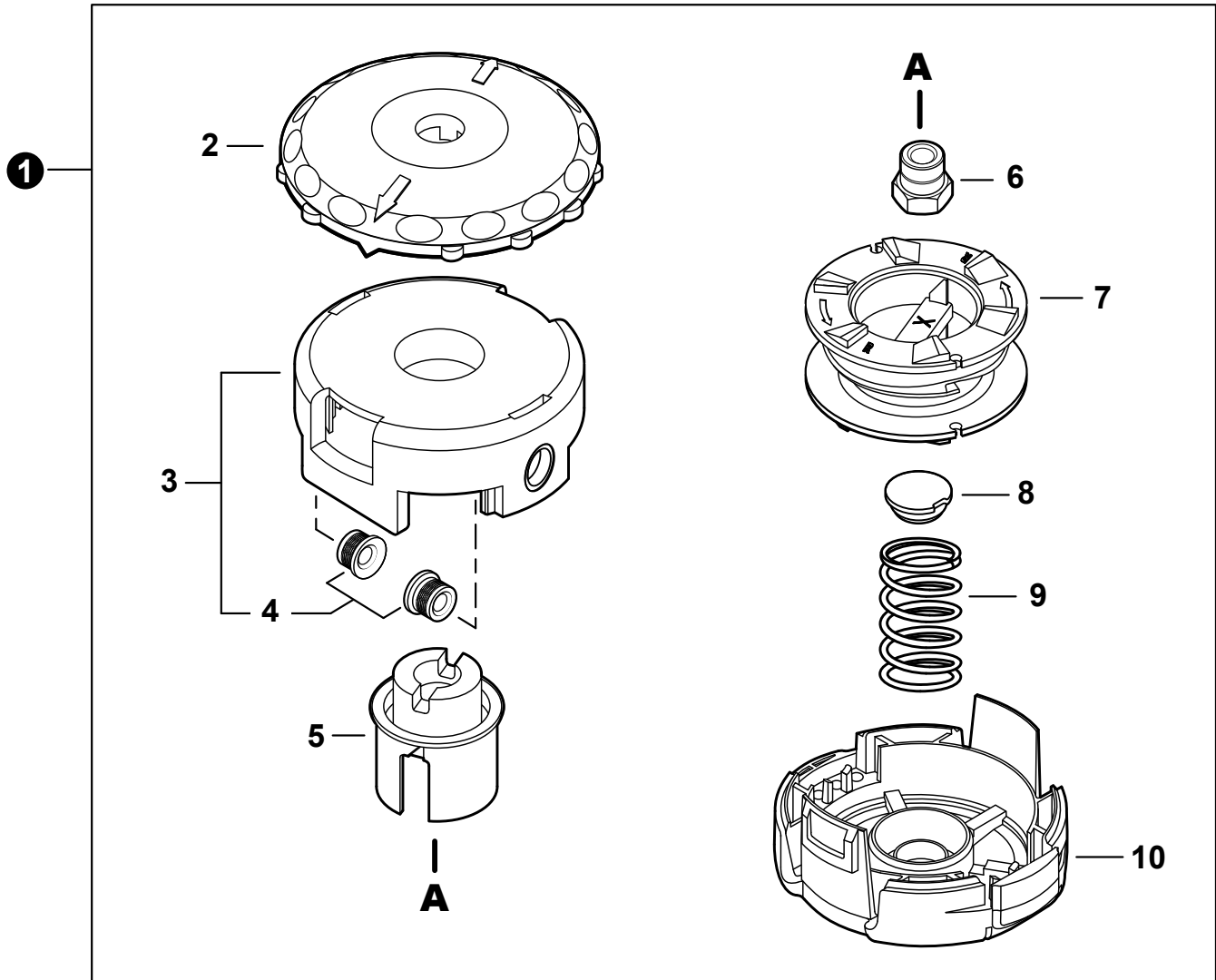
| NO. | PART NUMBER | QTY. | DESCRIPTION | DESCRIPCIÓN |
|-----|-------------|------|-------------------------|-------------------------------|
| 1 | P021051520 | 1 | GEAR CASE ASSY | MONTAJE DE CAJA DE ENGRANAJES |
| 2 | 61043450031 | 1 | +BOLT M8x8 | +PERNO M8x8 |
| 3 | V805000140 | 1 | +BOLT, TORX 5x12 | +PERNO TORX 5x12 |
| 4 | V805000170 | 1 | +BOLT, TORX 5x25 | +PERNO TORX 5x25 |
| 5 | 9411000609 | 1 | +BEARING, BALL 609A | +COJINETE DE BOLAS 609A |
| 6 | 9411100609 | 1 | +BEARING, BALL 609ZA | +COJINETE DE BOLAS 609ZA |
| 7 | 90070200025 | 1 | +RING, SNAP 25 | +ANILLO RETENEDOR 25 |
| 8 | 90070100009 | 1 | +RING, SNAP 9 | +ANILLO RETENEDOR 9 |
| 9 | V000000250 | 1 | +GEAR SET | +JUEGO DE ENGRANAJES |
| 10 | C535000210 | 1 | +PLATE, ADAPTOR - UPPER | +PLACA DEL ADAPTADOR SUPERIOR |
| 11 | 90070200032 | 1 | +RING, SNAP 32 | +ANILLO RETENEDOR 32 |
| 12 | V340000180 | 1 | +WASHER | +ARANDELA |
| 13 | 90081206201 | 1 | +BEARING, BALL 6201 | +COJINETE DE BOLAS 6201 |
| 14 | C534001090 | 1 | +SHAFT, GEAR | +EJE DE ENGRANAJE |
| 15 | 9411000629 | 1 | +BEARING, BALL 629A | +COJINETE DE BOLAS 629A |
| 16 | C535001240 | 1 | PLATE, ADAPTOR - UPPER | PLACA DEL ADAPTADOR SUPERIOR |
| 17 | C535000150 | 1 | PLATE, ADAPTOR - LOWER | PLACA DEL ADAPTADOR INFERIOR |
| 18 | 90051100010 | 1 | NUT 10 | TUERCA 10 |
| 19 | 90030020022 | 1 | PIN, COTTER 2x22 | PASADOR DE CHAVETA 2x22 |



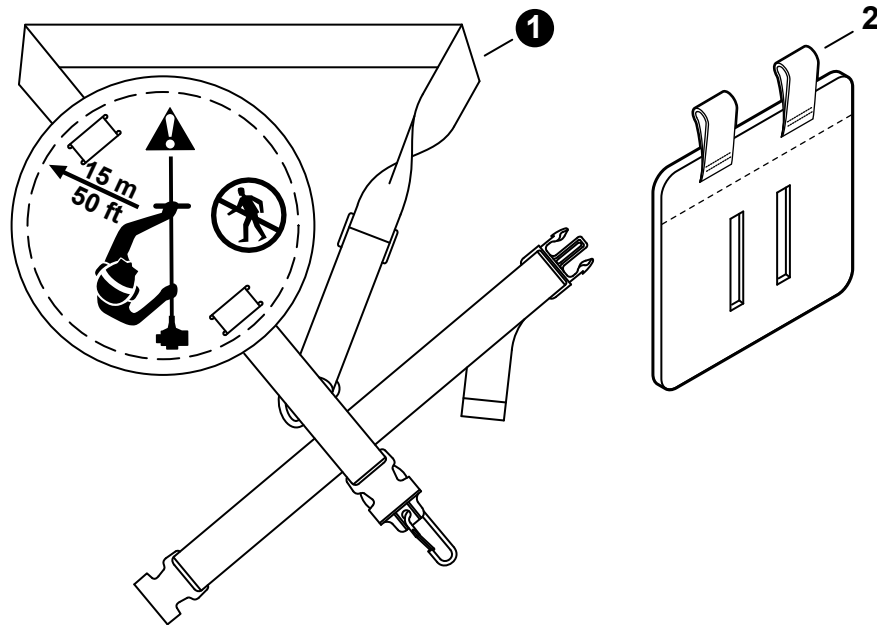
| NO. | PART NUMBER | QTY. | DESCRIPTION | DESCRIPCIÓN |
|-----|-------------|------|-----------------------|------------------------------------|
| 1 | P021053450 | 1 | SHIELD KIT, DEBRIS | JUEGO DE PROTECTOR CONTRA RESIDUOS |
| 2 | C550000830 | 1 | +SHIELD, DEBRIS NYLON | +PROTECTOR CONTRA RESIDUOS NYLON |
| 3 | C552000240 | 1 | +PLATE, SHIELD | +PLACA DE PROTECTOR |
| 4 | V805000150 | 3 | +BOLT, TORX 5x16 | +PERNO TORX 5x16 |



| NO. | PART NUMBER | QTY. | DESCRIPTION | DESCRIPCIÓN |
|-----|-------------|------|----------------------------|---|
| 1 | P021050510 | 1 | SHIELD KIT, DEBRIS - BLADE | JUEGO DE PROTECTOR CONTRA RESIDUOS - CUCHILLA |
| 2 | 90056250005 | 3 | +NUT, LOCK M5 | +CONTRATUERCA M5 |
| 3 | C550000760 | 1 | +SHIELD, DEBRIS - BLADE | +PROTECTOR CONTRA RESIDUOS - CUCHILLA |
| 4 | C552000240 | 1 | +PLATE, SHIELD | +PLACA DE PROTECTOR |
| 5 | V805000170 | 3 | +BOLT, TORX 5x25 | +PERNO TORX 5x25 |

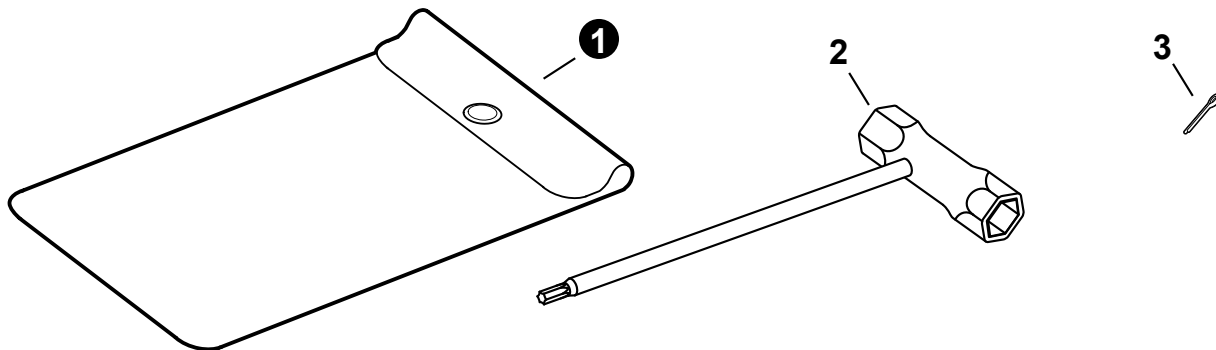


| NO. | PART NUMBER | QTY. | DESCRIPTION | DESCRIPCIÓN |
|-----|-------------|------|-------------------------------|----------------------------------|
| 1 | 99944200907 | 1 | TRIMMER HEAD, SPEED-FEED® 400 | CABEZAL DE CORTE SPEED-FEED® 400 |
| 2 | E415000180 | 1 | +KNOB | +PERILLA |
| 3 | X470000330 | 1 | +HOUSING ASSY, SPOOL | +MONTAJE DE CAJA DEL CARRETE |
| 4 | X475000110 | 2 | ++EYELET | ++OJAL |
| 5 | X476000040 | 1 | +HUB (LH) BLACK | +CUBO (LH) NEGRO |
| 6 | V160000150 | 1 | +BUSHING M10x1.25 LH GOLD | +BUJE M10x1.25 LH ORO |
| 7 | X473000130 | 1 | +SPOOL | +CARRETE |
| 8 | V494000840 | 1 | +CAP, SPRING | +TAPA DE RESORTE |
| 9 | V450001880 | 1 | +SPRING, GOLD | +RESORTE ORO |
| 10 | X472000070 | 1 | +COVER, SPOOL | +CUBIERTA DEL CARRETE |



| NO. | PART NUMBER | QTY. | DESCRIPTION | DESCRIPCIÓN |
|-----|-------------|------|------------------|------------------------------|
| 1 | C062000690 | 1 | HARNES, SHOULDER | ARNÉS PARA EL HOMBRO |
| 2 | C652000000 | 1 | PAD, HIP | ALMOHADILLA PARA LAS CADERAS |

Tools
Herramientas



| NO. | PART NUMBER | QTY. | DESCRIPTION | DESCRIPCIÓN |
|-----|-------------|------|------------------|-------------------------|
| 1 | X698000170 | 1 | BAG, TOOL | BOLSA DE HERRAMIENTAS |
| 2 | X602000440 | 1 | T-WRENCH | LLAVE EN T |
| 3 | 90030020022 | 1 | PIN, COTTER 2x22 | PASADOR DE CHAVETA 2x22 |



| NO. | PART NUMBER | QTY. | DESCRIPTION | DESCRIPCIÓN |
|-----|-------------|------|----------------------------------|---------------------------------------|
| 1 | LBP-56V125A | 1 | BATTERY, 56V LITHIUM-ION - 2.5Ah | BATERÍA DE IONES DE LITIO 56V - 2.5Ah |
| 2 | LBP-56V250A | 1 | BATTERY, 56V LITHIUM-ION - 5.0Ah | BATERÍA DE IONES DE LITIO 56V - 5.0Ah |
| 3 | LC-56V2AAB | 1 | CHARGER, BATTERY STANDARD 56V | CARGADOR DE BATERÍA ESTÁNDAR DE 56V |
| 4 | LC-56V4AAB | 1 | CHARGER, BATTERY RAPID 56V | CARGADOR DE BATERÍA RÁPIDO 56V |