

## DGK180FP Generator

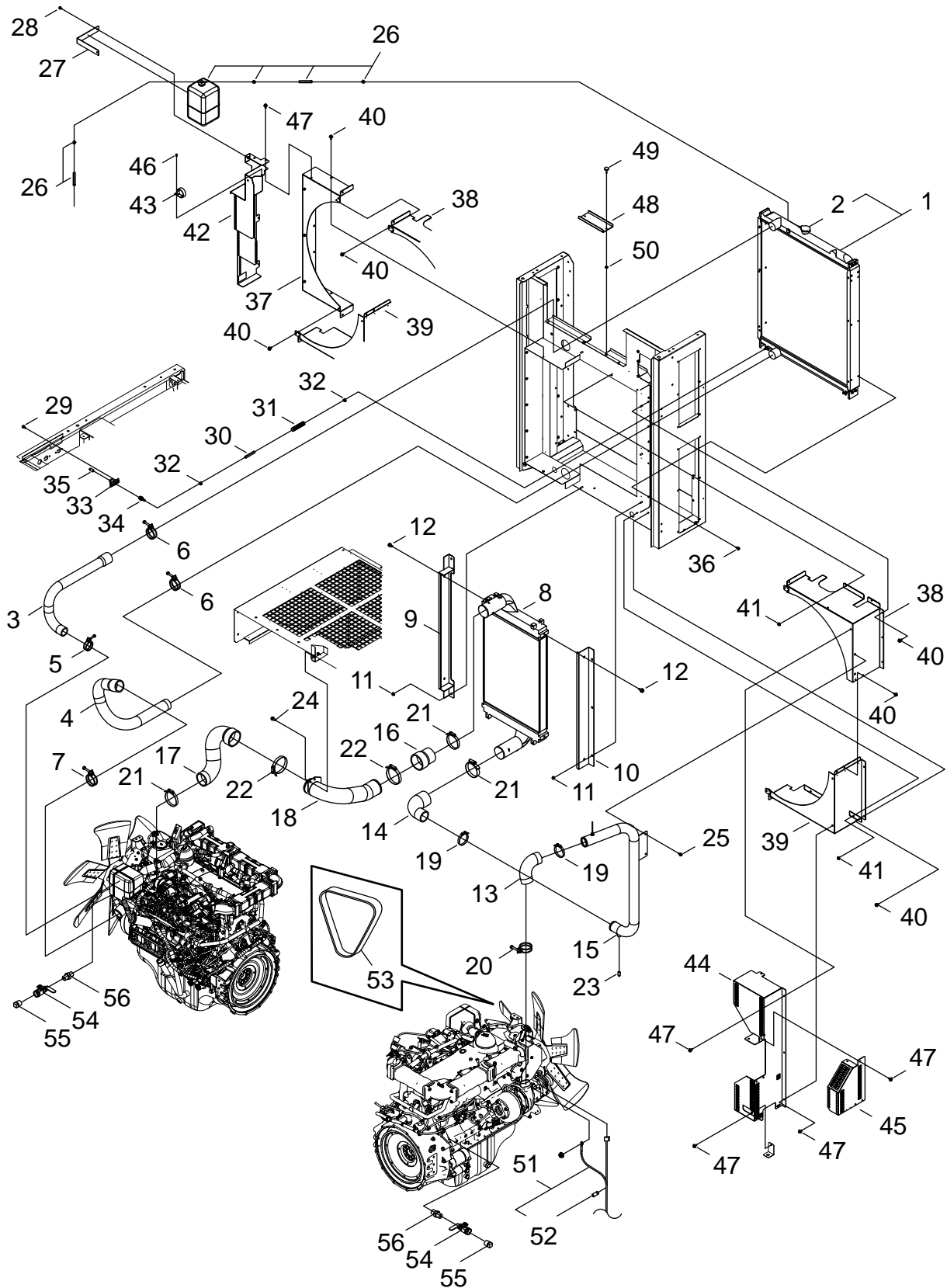


### SERIAL NUMBERS

D19001000001 - D19001999999

RADIATOR ASSEMBLY .....	2	ECHO LABELS .....	54
AIR AND MUFFLER ASSEMBLY .....	6	ENCLOSURE FRAME - CENTER AND REAR, SEALS AND INSULATION .....	56
FUEL TANK.....	10	ENCLOSURE FRAME - REAR COVERS, SEALS AND INSULATION .....	58
FUEL LINES.....	12	ENCLOSURE FRAME - REAR AND FRONT DOOR, SEALS AND INSULATION .....	60
OIL LINES.....	14	ENCLOSURE FRAME - DOOR AIR DUCT, SEALS AND INSULATION .....	62
FRONT ENCLOSURE .....	16	FRONT ENCLOSURE INSULATION AND SEALS.....	64
REAR ENCLOSURE .....	18	TOP ENCLOSURE INSULATION AND SEALS.....	66
FRONT PANEL .....	22	BASE FRAME SEALS.....	68
BASE FRAME .....	24	CENTER FRAME INSULATION AND SEALS .....	70
CENTER FRAME.....	26		
LEFT ENCLOSURE .....	28		
RIGHT ENCLOSURE .....	30		
TOP ENCLOSURE .....	32		
ALTERNATOR .....	34		
MAIN CONTROL PANEL.....	36		
CONTROL BOX .....	38		
POWER OUTPUT TERMINALS.....	42		
HEATER.....	46		
SCR.....	48		
SCR PIPE .....	50		
SHINDAIWA LABELS.....	52		

RADIATOR ASSEMBLY

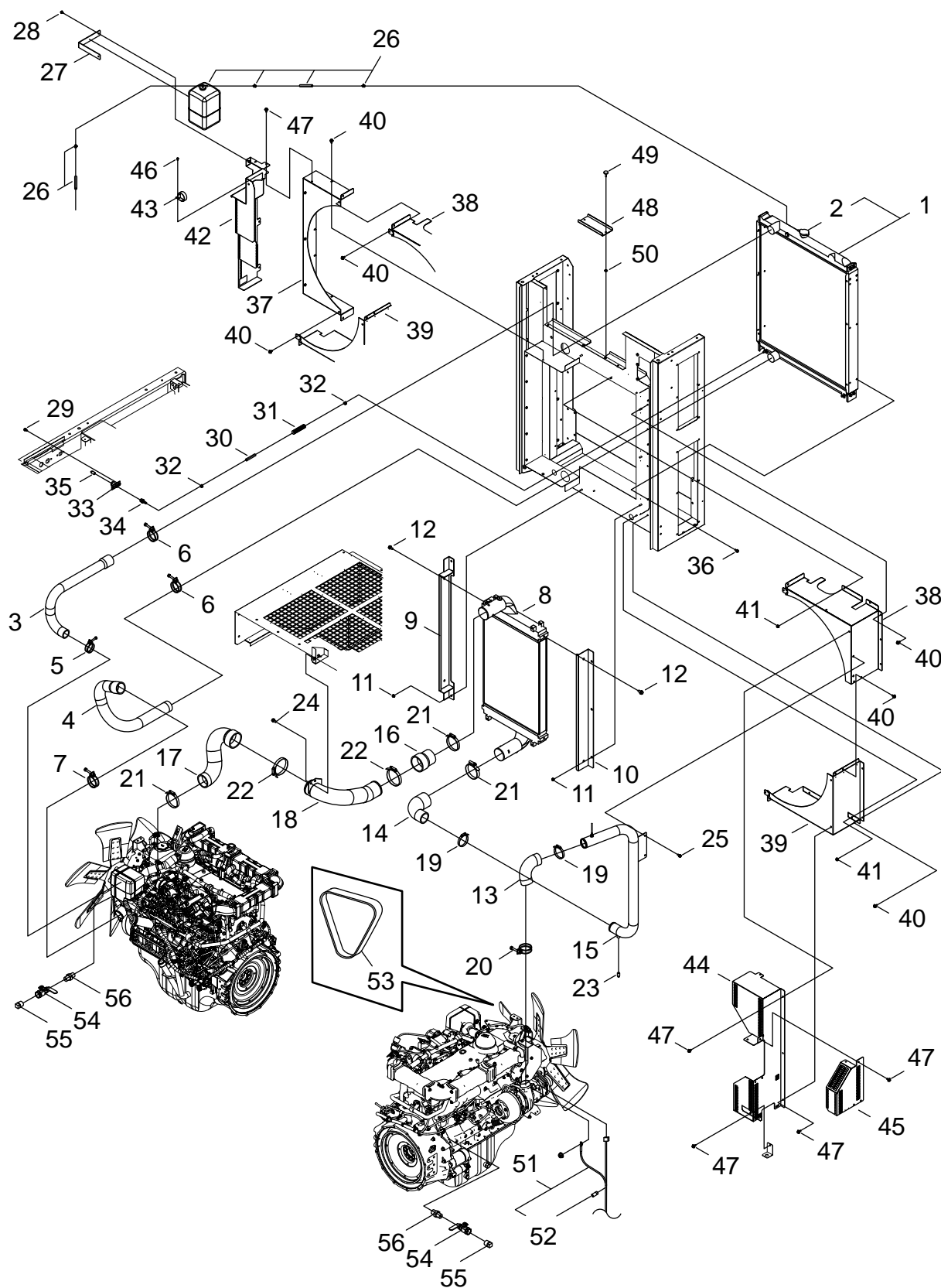


+ Denotes item is part of an assembly  
 ++ Denotes item is part of a sub-assembly

## RADIATOR ASSEMBLY

NO.	PART NUMBER	QTY.	DESCRIPTION	
1	G200000410	1	RADIATOR	
2	M608000100	1	+ CAP,RADIATOR	
3	G203000770	1	HOSE,UPPER RADIATOR	
4	G203000780	1	HOSE,LOWER RADIATOR	
5	V495001820	1	HOSE CLAMP	
6	V495003760	2	BAND,WL-1075	
7	V495003840	1	BAND,WL-1083	
8	J197000040	1	INTERCOOLER	
9	C528000560	1	STAY,LEFT INTERCOOLER	
10	C528000570	1	STAY,RIGHT INTERCOOLER	
11	V265000290	5	FLANGE NUT,M8 SERRATED	
12	V206000590	4	BOLT,M10X25-SPW	
13	G213000810	1	HOSE,I/C IN ENG. SIDE AIR	
14	G213000820	1	HOSE,I/C OUT ENG. SIDE AIR	
15	V186000840	1	JOINT,I/C IN PIPE	D19001000001-D19001000039
15	V186001040	1	JOINT,PIPE	D19001000040-
16	G213000830	1	HOSE,I/C OUT I/C SIDE AIR	
17	G213000840	1	HOSE,I/C OUT ENG. SIDE AIR	
18	V186000850	1	JOINT,I/C OUT PIPE	D19001000001-D19001000039
18	V186001050	1	JOINT,PIPE	D19001000040-
19	V495003130	2	BAND,SMS2298/2299	
20	V495003810	1	BAND,SMS2298/2299	
21	V495003140	3	BAND,SMS2298/2299	
22	V495003780	2	BAND,SMS2298/2299	
23	K560000000	1	PLUG,R 1/8	
24	V206000590	2	BOLT,M10X25-SPW	
25	V205001170	2	BOLT,M8X20-SPW	
26	G125000300	1	OVERFLOW TANK	
27	C528000580	1	STAY,RESERVE TANK	
28	V204001090	2	BOLT,M6X16 FT SW	
29	V205001420	2	BOLT,M8X20-SPW	
30	K400001390	1	HOSE,7X13XL350	
31	V475005540	1	TUBE,15XL330	
32	V495001670	2	HOSE CLAMP	
33	C153000100	1	SOCKET,Rc3/8 - Rc3/8	
34	K432000050	1	NIPPLE,R3/8 - HOSE	
35	E328000130	1	DRAIN PLUG,R3/8	
36	V205001420	12	BOLT,M8X20-SPW	
37	G202000410	1	DUCT,LEFT RADIATOR FAN SHROUD	
38	G202000420	1	DUCT,R (UPPER) RADIATOR FAN SHROUD	
39	G202000430	1	DUCT,R (LOWER) RADIATOR FAN SHROUD	
39	P021055320	1	RADIATOR DUCT W/LABEL	
40	V204001090	16	BOLT,M6X16 FT SW	
41	V264000220	4	FLANGE NUT,M6 SERRATED	
42	A172003560	1	COVER,LEFT FAN GUARD	
42	P021055330	1	FAN COVER W/LABEL	

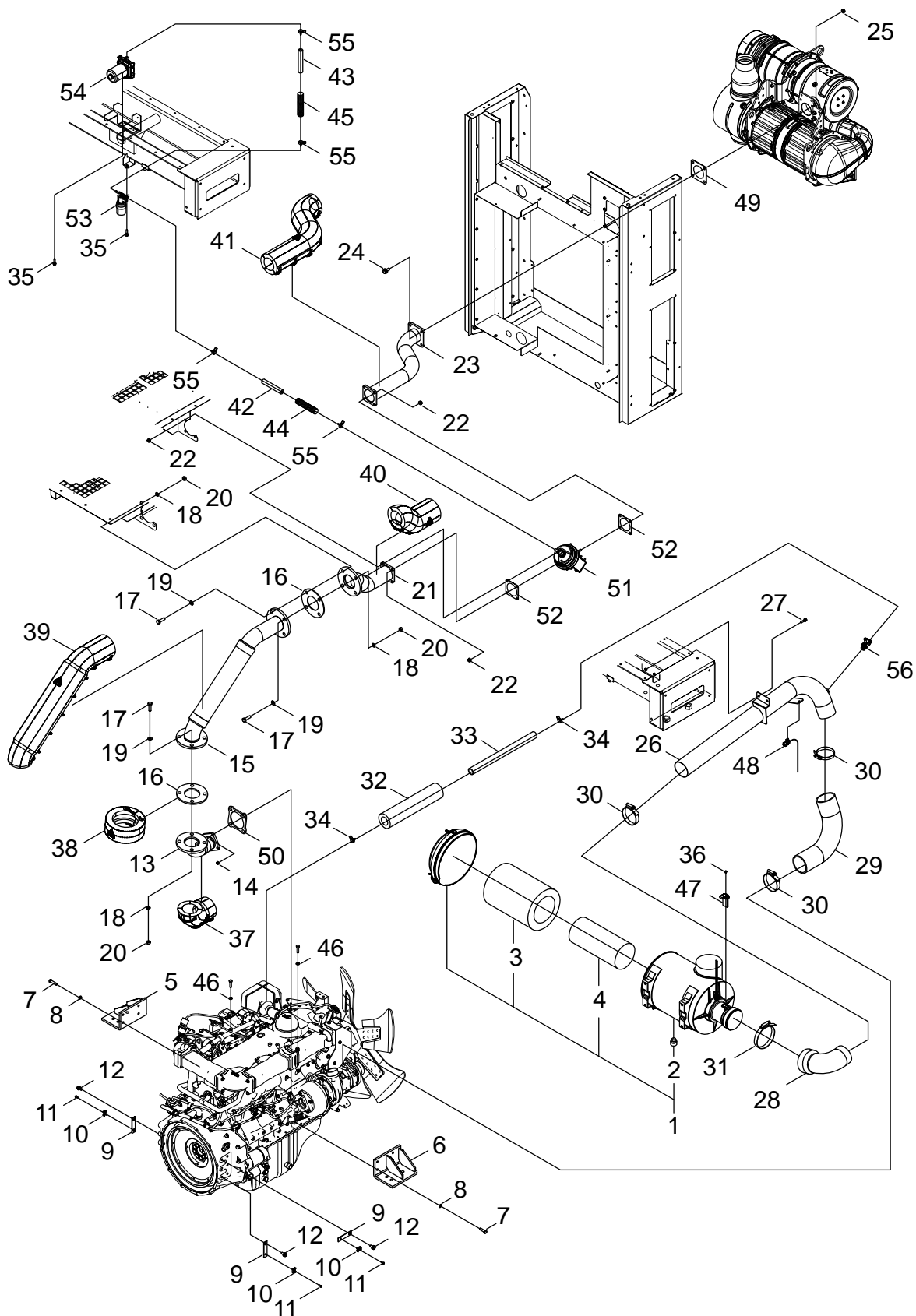
RADIATOR ASSEMBLY



## RADIATOR ASSEMBLY

NO.	PART NUMBER	QTY.	DESCRIPTION
43	V495003830	1	BAND,SD-60
44	A172003570	1	COVER,R-01 FAN GUARD
45	A172003580	1	COVER,R-02 FAN GUARD
46	9103705014	1	BOLT,M5X14
47	V204001090	13	BOLT,M6X16 FT SW
48	J480001900	1	LID,COVER
49	V299000480	2	OPERATION PANEL ACCESS KNOB
50	V583000230	2	RING,U
51	G363000810	1	HARNESS,ENGINE WIRE
52	G347000020	1	+ DIODE
53	I1136715160	1	BELT,FAN
54	E265000360	2	VALVE,Rc3/8 - Rc3/8
55	E328000130	2	DRAIN PLUG,R3/8
56	V187000470	2	NIPPLE,R3/8 - R3/8

AIR AND MUFFLER ASSEMBLY

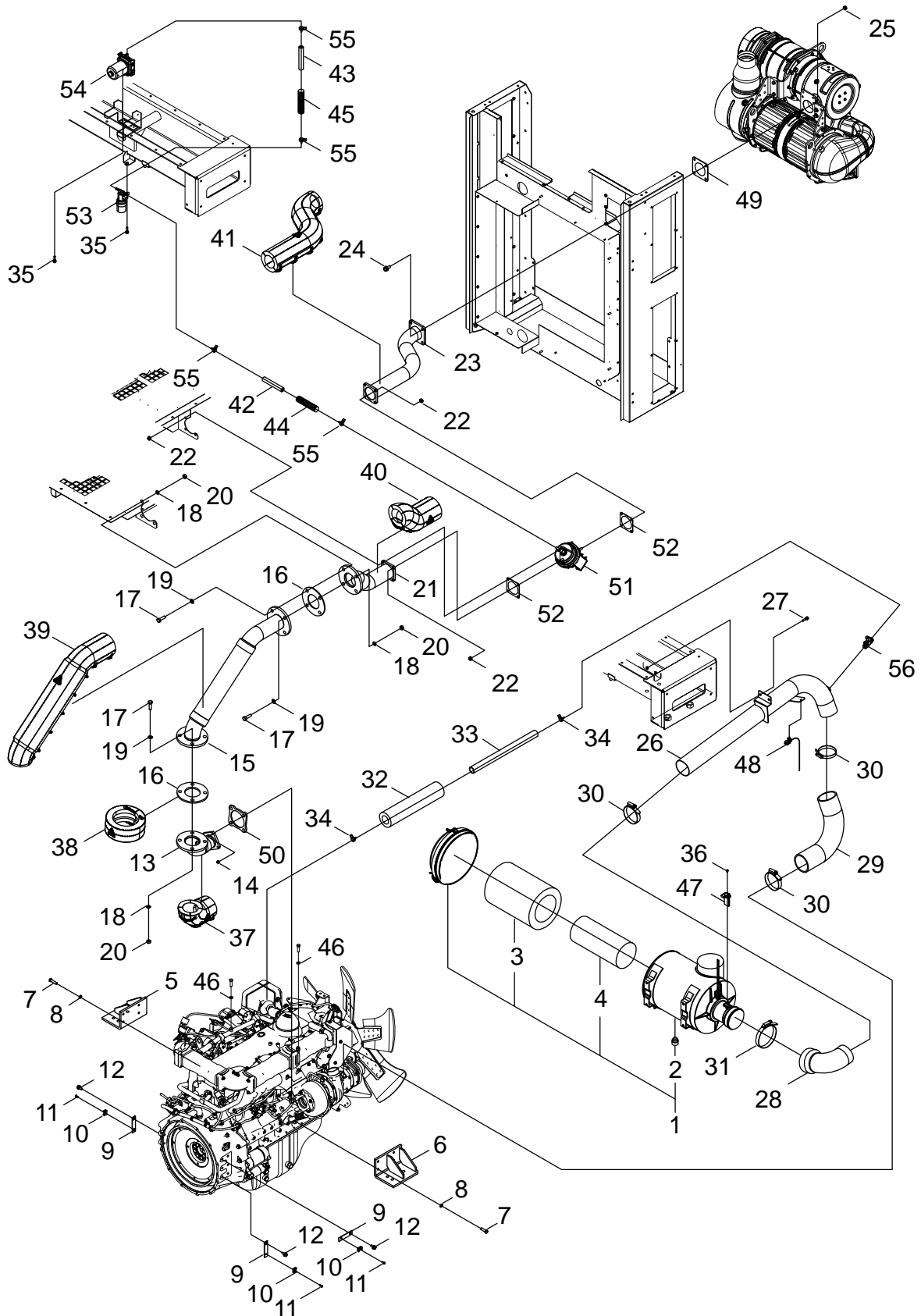


+ Denotes item is part of an assembly  
 ++ Denotes item is part of a sub-assembly

## AIR AND MUFFLER ASSEMBLY

NO.	PART NUMBER	QTY.	DESCRIPTION	
1	G210000140	1	CLEANER,FRG138692 AIR	
2	M609000010	1	+ INDICATOR,RFX018171	
3	A226002400	1	+ ELEMENT,P812363 OUTER AIR FILTER	
4	A226002410	1	+ ELEMENT,P838813 INNER AIR FILTER	
5	G121000760	1	STAY,LEFT ENGINE	
6	G121000770	1	STAY,RIGHT ENGINE	
7	9102710030	8	BOLT,M10X30 8T	
8	90060500010	8	WASHER,M10 SPRING	
9	C519002460	3	BRACKET,HARNESS	
10	M416000010	3	TIE MOUNT	
11	9134305012	3	SCREW,M5X12	
12	9102412025	3	BOLT,M12X25	
13	G231001330	1	PIPE,ENGINE SIDE EXHAUST	
14	V265000290	4	FLANGE NUT,M8 SERRATED	
15	G231001340	1	PIPE,BELLOWS EXHAUST	
16	V104002140	2	GASKET,EXHAUST	
17	90010016065	8	BOLT,M16X65	
18	90060500016	8	WASHER,M16 SPRING	
19	9220316000	8	WASHER,M16	
20	90050900016	8	NUT,M16	
21	G231001350	1	PIPE,EXHAUST BELLOWS THROTTLE	
22	V266000110	8	FLANGE NUT,M10 SERRATED	
23	G231001360	1	PIPE,SCR THROTTLE EXHAUST	D19001000001-D19001000039
23	G231001710	1	PIPE,EXHAUST	D19001000040-
24	9102410035	4	BOLT,M10X35	
25	V266000130	4	FLANGE NUT,M10 SERRATED	
26	V186000860	1	JOINT,AIR CLEANER PIPE	D19001000001-D19001000039
26	V186001030	1	JOINT,PIPE	D19001000040-
27	V205001170	2	BOLT,M8X20-SPW	
28	G213000850	1	HOSE,AIR CLEANER SIDE AIR	
29	G213000860	1	HOSE,ENGINE SIDE AIR	
30	V495003780	3	BAND,SMS2298/2299	
31	V495003790	1	BAND,SMS2298/2299	
32	V476002200	1	TUBE,M10038 L1000	
33	K406000440	1	HOSE,25.4X35.5X1100	
34	V495003040	2	BAND,D-44	
35	V205001170	3	BOLT,M8X20-SPW	
36	9156804010	2	SCREW,M4X10 SW	
37	C417000110	1	INSULATOR,ENGINE SIDE EXH PIPE	
38	C417000120	1	INSULATOR,JOINT	
39	C417000100	1	INSULATOR,BELLOWS PIPE	
40	C417000130	1	INSULATOR,EXHAUST TROTTLE BELLOWS	
41	C417000140	1	INSULATOR,SCR EXHAUST THROTTLE	
42	I0083581300	1	HOSE,8.73X17.5X1300 VACUUM	
43	I0083581000	1	HOSE,8.73X17.5X1000 VACUUM	CUT TO 740MM
44	V475005420	1	TUBE,19XL1200	

AIR AND MUFFLER ASSEMBLY

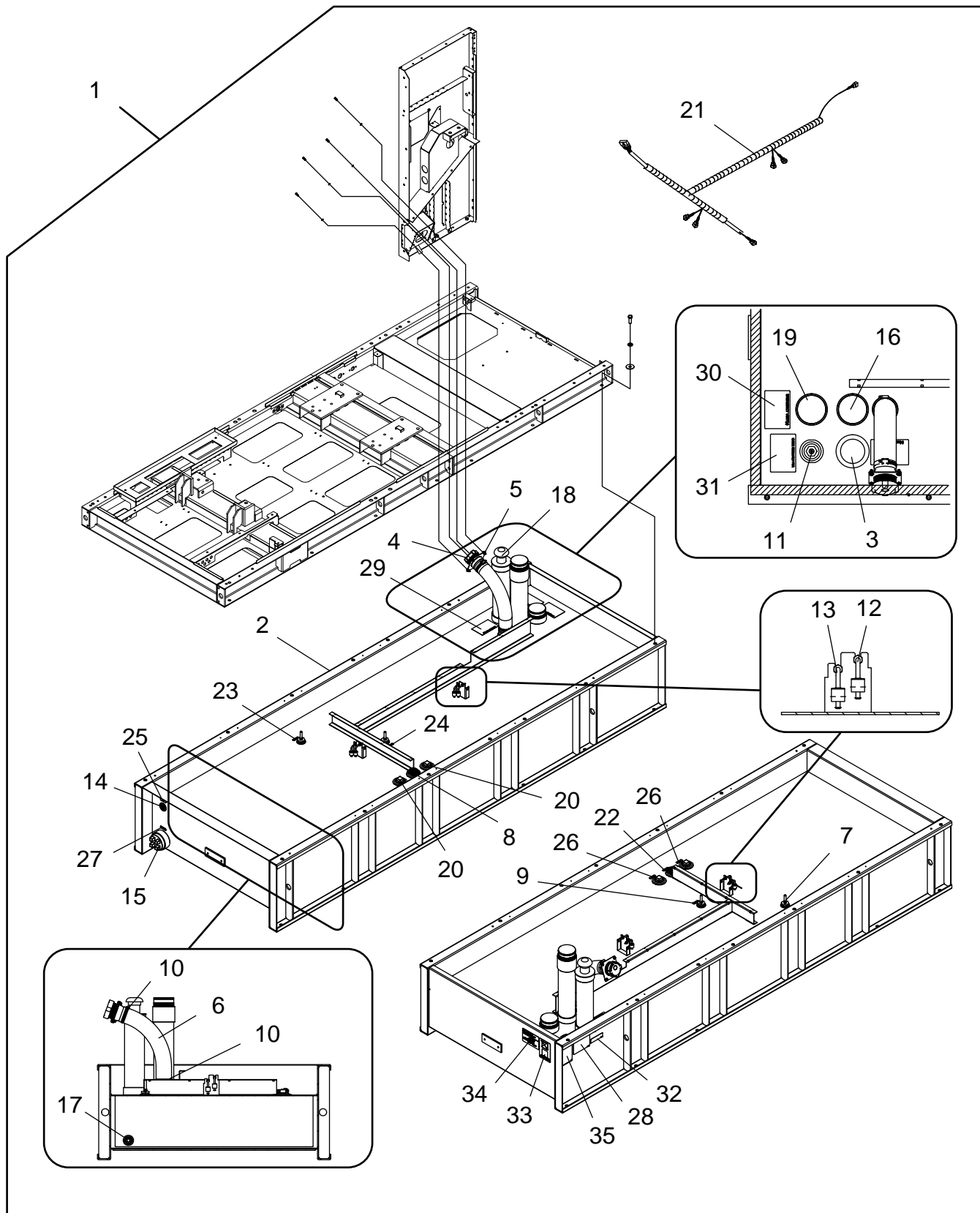


+ Denotes item is part of an assembly  
 ++ Denotes item is part of a sub-assembly

## AIR AND MUFFLER ASSEMBLY

NO.	PART NUMBER	QTY.	DESCRIPTION
45	V475005920	1	TUBE,19.5X23.8X700
46	I9095714100	2	PACKING
47	I8976019670	1	SENSOR,MASS AIR FLOW
48	I8973811820	1	SENSOR,MAT
49	I1221160400	1	GASKET,EX PIPE-MANIF
50	I8943925532	1	GASKET,EX PIPE-MANIF
51	I8975264850	1	BRAKE UNIT,EXH
52	I1221160430	2	GASKET,EXPIPE-MANIF
53	I8980433440	1	VALVE,MAG,DPD EXH
54	I8975264860	1	PUMP,VAC
55	I8973296280	4	CLIP,HOSE
56	I8975264830	1	HEATER,PCV

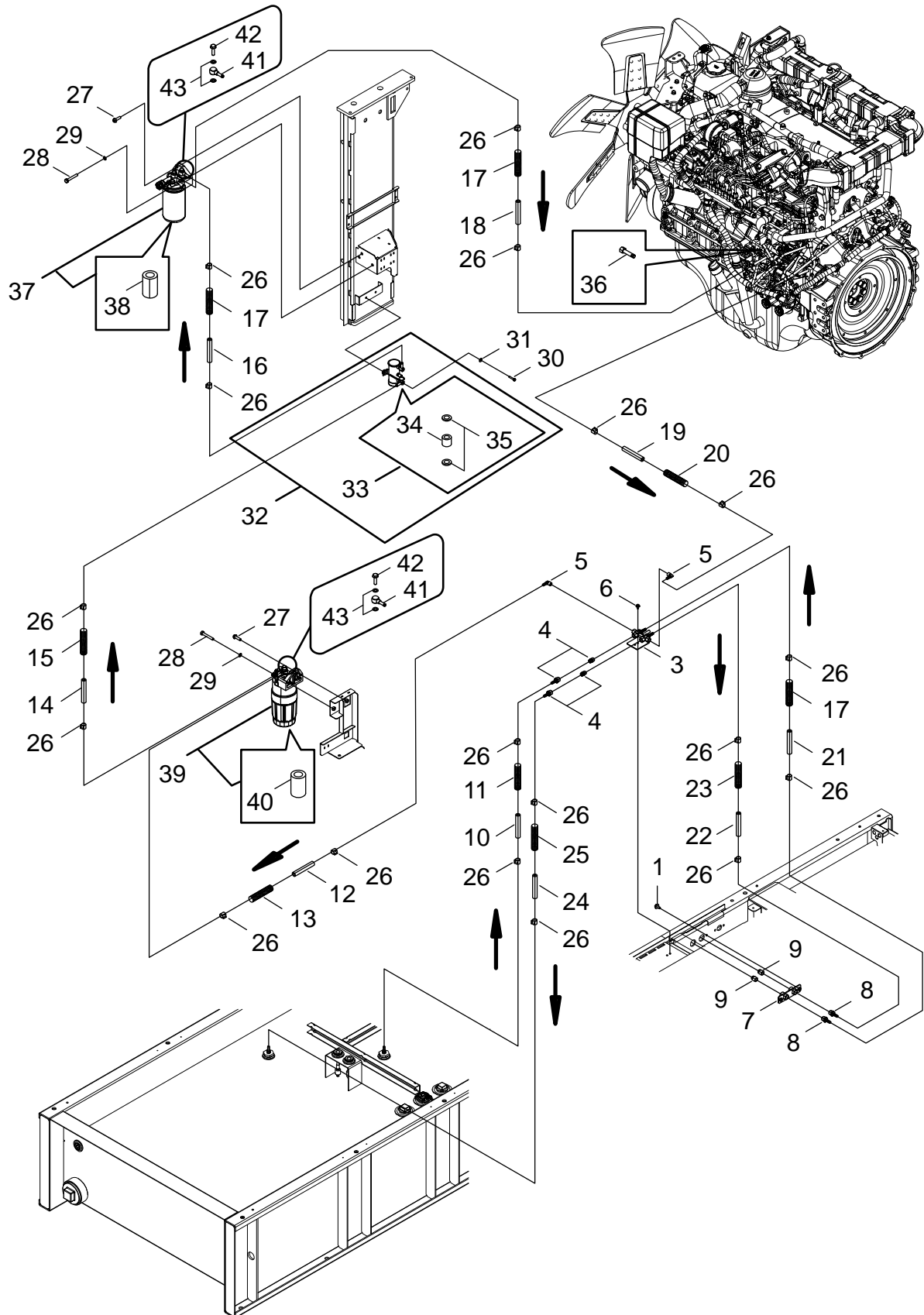
FUEL TANK



## FUEL TANK

NO.	PART NUMBER	QTY.	DESCRIPTION
1	G250001261	1	TANK,FUEL
2	G250001410	1	+ TANK,FUEL
3	V701000040	1	+ VALVE,AIR
4	G255000170	1	+ CAP,VENT AL 3"NPT FUEL
5	A367000000	1	+ INLET,M6 WELD NUTS FUEL TANK
6	K700002210	1	+ HOSE,REINFORCED RUBBER
7	E230000220	2	+ NIPPLE,TUBE AND HOSE
8	E325000400	1	+ GAUGE,240-30 OHM LEVEL
9	E230000230	1	+ NIPPLE,TUBE AND HOSE
10	V495004180	2	+ BAND,FUEL FILL HOSE
11	G366000020	1	+ SENSOR,FUEL SWITCH WITH 2
12	G334002620	2	+ SWITCH,CRITICAL HIGH
13	G334002630	2	+ SWITCH,WARNING WITH 3
14	E328000460	1	+ PLUG,DRAIN CONTAINMENT
15	E328000470	1	+ PLUG,DRAIN
16	V701000050	1	+ VALVE,AIR VENT
17	E328000480	1	+ PLUG,DRAIN 1"NPT
18	E265000420	1	+ VALVE,PREVENTION VALVE
19	V701000060	1	+ VALVE,AIRVENT
20	V162001050	2	+ PLUG,STEEL PLUG W/
21	C130001310	1	+ HARNESS,WH-128646 WIRE
22	M710000050	1	+ LABEL,INST
23	M710000060	1	+ LABEL,INST RETURN
24	M710000070	1	+ LABEL,INST SUPPLY
25	M710000080	1	+ LABEL,INST
26	M710000090	2	+ LABEL,INST
27	M710000100	1	+ LABEL,INST
28	X568000140	1	+ LABEL,SPECCUL(4X6)
29	M710000110	1	+ LABEL,INSTVENT CUL
30	M710000120	1	+ LABEL,INSTVENT CUL
31	M710000130	1	+ LABEL,INSTAREA CUL
32	M710000140	1	+ LABEL,INST EMERGENCY VENT
33	M710000150	1	+ LABEL,INST STACKING
34	X568000150	1	+ LABEL,SPEC
35	X564001300	1	+ LABEL,CAUTION CUL WARNING

FUEL LINES

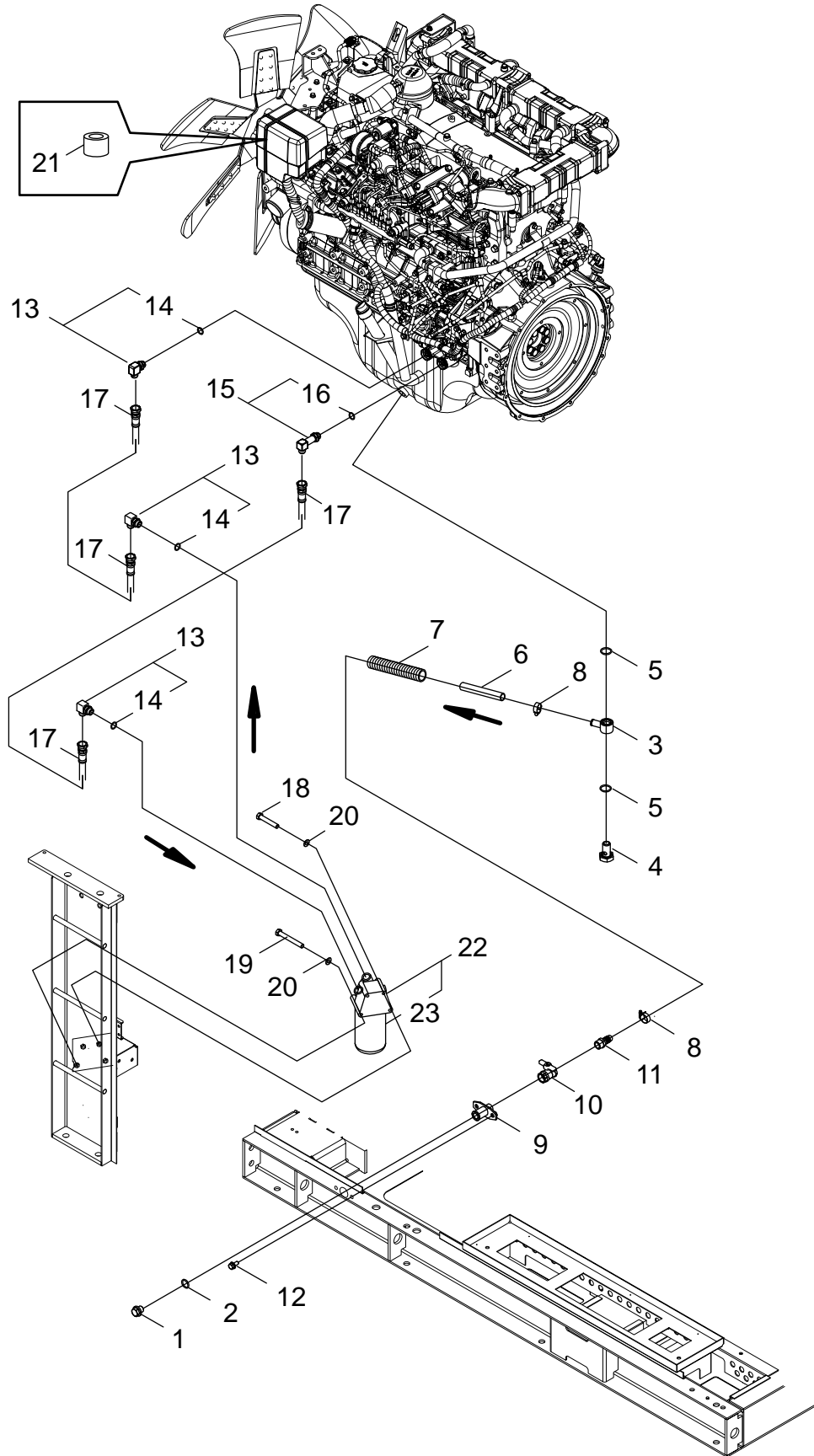


+ Denotes item is part of an assembly  
 ++ Denotes item is part of a sub-assembly

## FUEL LINES

NO.	PART NUMBER	QTY.	DESCRIPTION	
1	V205001420	2	BOLT,M8X20-SPW	
3	E265000120	1	COCK,3-WAY VALVE	
4	V187000290	2	NIPPLE,R3/8 - G3/8 HOSE	
5	E237000270	2	ELBOW,R3/8 HOSE	
6	V204001090	2	BOLT,M6X16 FT SW	
7	C153000560	1	SOCKET,G1/2 - G1/2	
8	V187000110	2	NIPPLE,G1/2 HOSE	
9	E328000110	2	DRAIN PLUG	
10	K401000470	1	HOSE,9XL1050	FUEL TANK - 3-WAY VALVE
11	V475005460	1	TUBE,19XL1000	
12	K401000600	1	HOSE,9XL750	3-WAY VALVE - PRE FUEL FILTER
13	V475005920	1	TUBE,19.5X23.8X700	
14	K401000300	1	HOSE,9XL1150	PRE FUEL FILTER - MAGNET PUMP
15	V475005680	1	TUBE,19XL1100	
16	K401000280	1	HOSE,9XL350	MAGNET PUMP - MAIN FUEL FILTER
17	V475005800	3	TUBE,19XL300	
18	K401000280	1	HOSE,9XL350	MAIN FUEL FILTER - ENGINE
19	K401000580	1	HOSE,9X16X1650	ENGINE - 3-WAY VALVE
20	V475006070	1	TUBE,19XL1600	
21	K401000280	1	HOSE,9XL350	3-WAY VALVE - FUEL DRAIN
22	K401000430	1	HOSE,9XL400	FUEL DRAIN - 3-WAY VALVE
23	V475005780	1	TUBE,19XL350	
24	K401000580	1	HOSE,9X16X1650	3-WAY VALVE - FUEL TANK
25	V475006070	1	TUBE,19XL1600	
26	V495001660	18	HOSE CLAMP	
27	9100710035	4	BOLT,M10X35 FLANGE	
28	90010010070	2	BOLT,M10X70	
29	90060000010	2	WASHER,M10	
30	9102206035	2	BOLT,M6X35	
31	I9091607060	2	WASHER,M6	
32	I8975153011	1	PUMP,FUEL	
33	I8981731650	1	+ REPAIR KIT,FUEL PUMP	
34	I8980714010	1	++ FILTER,FUEL PUMP	
35	I8980714040	1	++ GASKET KIT,FUEL PUMP	
36	I8980749550	1	STRAINER	
37	I8983129151	1	FILTER ASM,MAIN FUEL	
38	I8983129180	1	+ ELEMENT,FUEL FILTER	
39	I8980758555	1	FILTER ASM,SUB FUEL	
40	I8980742882	1	+ FILTER,PRE FUEL	
41	I8973834270	4	JOINTPIPE,FUELFILTER	
42	I1096750951	4	EYE BOLT,FEED PUMP	
43	I1096300860	8	PACKING,FUEL FILTER	

OIL LINES

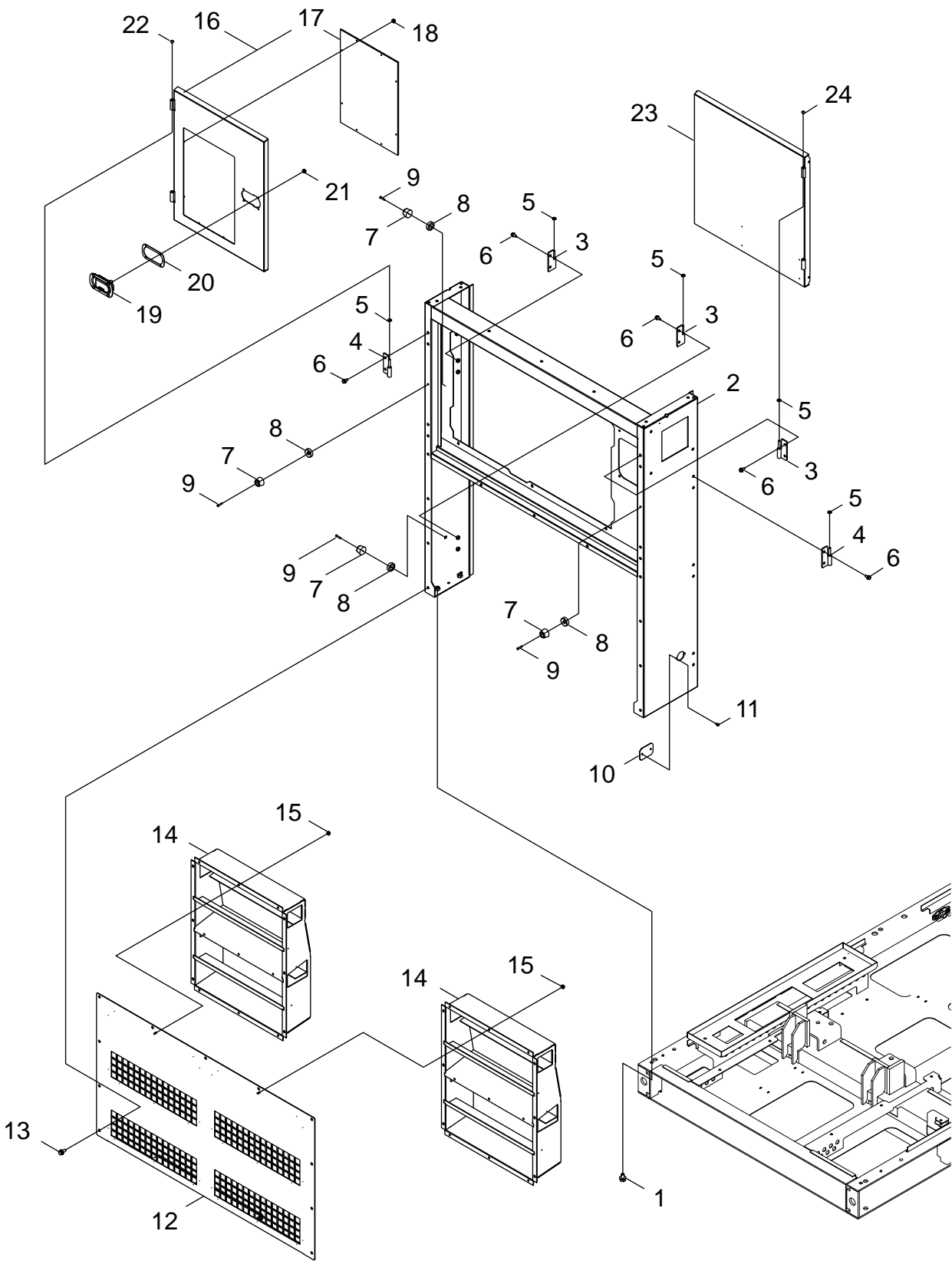


+ Denotes item is part of an assembly  
 ++ Denotes item is part of a sub-assembly

## OIL LINES

NO.	PART NUMBER	QTY.	DESCRIPTION	
1	I9096620120	1	DRAIN PLUG,M20 OIL	
2	I1096230570	1	GASKET,OIL DRAIN PLUG	
3	K313000050	1	FIXTURE,OIL DRAIN HOSE JOINT	
4	V242000410	1	BOLT,OIL DRAIN EYE	
5	V581000760	2	RING,E-3030S OIL DRAIN O	
6	K405000460	1	HOSE,19X1B L400	ENGINE - OIL DRAIN
7	V476001930	1	TUBE,32XL350	
8	V495001710	2	CLAMP,SMS2298/2299 HOSE	
9	C153000180	1	SOCKET,M20 - R3/4 OIL DRAIN	
10	E265000130	1	COCK,Rc3/4 - Rc3/4	
11	V187000130	1	NIPPLE,R3/4 HOSE	
12	V206000800	2	BOLT,M10X25-SPW	
13	M601000330	3	JOINT,G3/4 - G3/4	
14	V581000770	3	+ RING,JIS B 2401 P24 O	
15	M601000420	1	JOINT,G3/4 - G3/4	
16	V581000770	1	+ RING,JIS B 2401 P24 O	
17	K576000190	2	HOSE,15XL600,G3/4	ENGINE - OIL FILTER
18	90010010110	2	BOLT,M10X110	
19	V206000520	2	BOLT,M10X140	
20	90060000010	4	WASHER,M10	
21	I8980305320	1	ELEMENT KIT,PCV	
22	I8983758662	1	FILTER ASSY,OIL	
23	I8983758600	1	+ OIL FILTER ELEMENT	

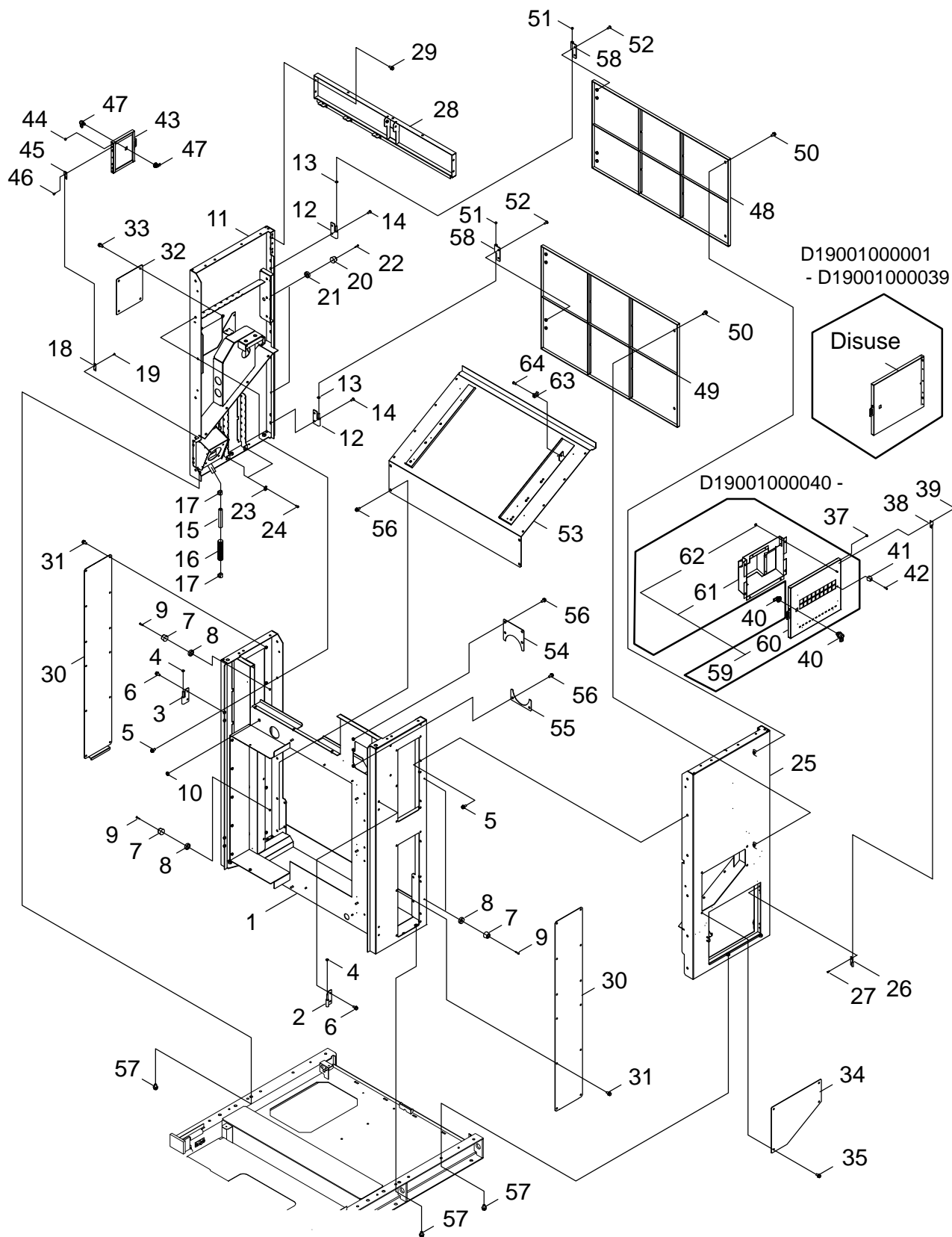
FRONT ENCLOSURE



## FRONT ENCLOSURE

NO.	PART NUMBER	QTY.	DESCRIPTION
1	V207000510	4	BOLT,M12X25-SPW
2	J495000930	1	FRONT COVER
2	P021055170	1	FRONT BONNET (W/LABEL)
3	J485000730	4	HINGE,B-65-1-L
4	J485000720	5	HINGE,B-65-1-R
5	V375000380	9	COLLAR,HINGE (B-65-1)
6	V205001420	18	BOLT,M8X20-SPW
7	V420003070	4	STAND,RUBBER
8	V420003100	4	STAND,RUBBER
9	9134104025	4	SCREW,M4X25 SW
10	J500002480	1	PANEL,AC PLUG
11	9103405016	2	BOLT,M5X16
12	J500002490	1	PANEL,FRONT
12	P021055200	1	FRONT PANEL W/LABEL
13	V205001420	11	BOLT,M8X20-SPW
14	G128001130	2	DUCT,FRONT PANEL AIR
15	V264000220	30	FLANGE NUT,M6 SERRATED
16	M040000800	1	DOOR ASM,LEFT FRONT
16	P021055400	1	FRONT DOOR,LEFT W/LABEL
17	J503000110	1	+ PANEL,ACRYLIC
18	V263000330	8	FLANGE NUT,M5 SERRATED
19	C701000420	1	LOCK COVER
20	V542000120	1	SEAL,LOCK COVER
21	V264000220	4	FLANGE NUT,M6 SERRATED
22	V162000500	2	PLUG,C-30-CS-9
23	M402000900	1	DOOR,RIGHT FRONT
23	P021055390	1	FRONT DOOR, RIGHT W/LABEL
24	V162000500	2	PLUG,C-30-CS-9

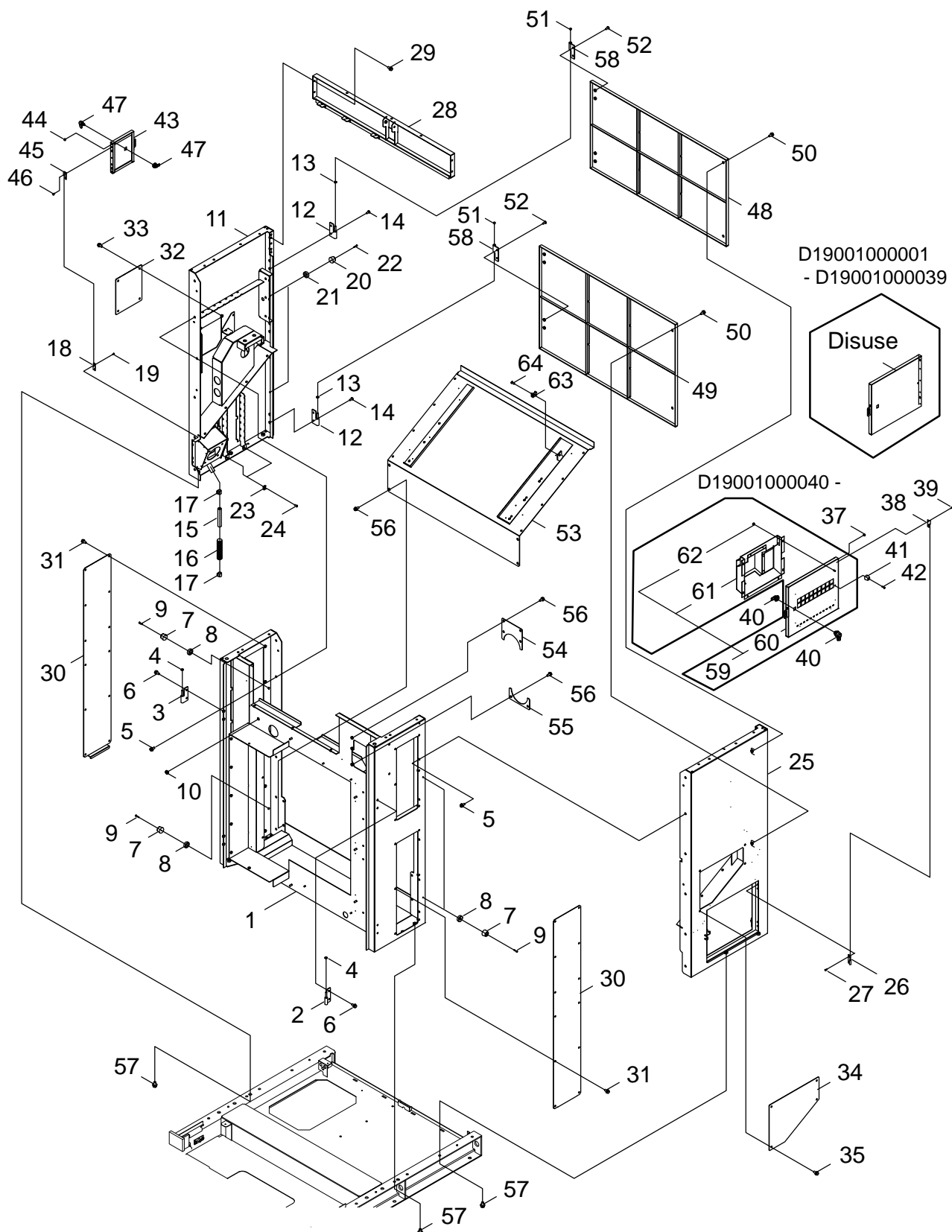
REAR ENCLOSURE



## REAR ENCLOSURE

NO.	PART NUMBER	QTY.	DESCRIPTION
1	J495000710	1	ENCLOSURE FRAME (REAR COVER FRONT)
2	J485000730	2	HINGE,B-65-1-L
3	J485000720	2	HINGE,B-65-1-R
4	V375000380	4	COLLAR,HINGE (B-65-1)
5	V206000800	12	BOLT,M10X25-SPW
6	V205001420	8	BOLT,M8X20-SPW
7	V420003070	4	STAND,RUBBER
8	V420003100	4	STAND,RUBBER
9	9134104025	4	SCREW,M4X25 SW
10	V144000440	1	GROMMET
11	J495000720	1	ENCLOSURE FRAME (LEFT REAR COVER)
11	P021055440	1	LEFT REAR BONNET W/LABEL
12	J485000730	4	HINGE,B-65-1-L
13	V375000380	4	COLLAR,HINGE (B-65-1)
14	90029308020	8	SCREW,M8X20 TRUSS
15	K405000280	1	HOSE,25.4X31XL900
16	V475006160	1	TUBE,32.4X38X700
17	V495002110	2	HOUSE CLAMP
18	J485000310	2	HINGE
19	9144704012	4	SCREW,4X12 TAPPING
20	V420003070	2	STAND,RUBBER
21	V420003100	2	STAND,RUBBER
22	9134104025	2	SCREW,M4X25 SW
23	M416000010	2	TIE MOUNT
24	9134305012	2	SCREW,M5X12
25	J495000730	1	ENCLOSURE FRAME (RIGHT REAR COVER)
25	P021055430	1	REAR RIGHT BONNET W/LABEL
26	J485000310	2	HINGE
27	9144704012	4	SCREW,4X12 TAPPING
28	J495000740	1	ENCLOSURE FRAME (RIGHT REAR UPPER COVER)
28	P021055450	1	REAR TOP BONNET W/LABEL
29	V205001420	4	BOLT,M8X20-SPW
30	J503000090	2	PANEL (REAR COVER FRONT)
31	V205001420	24	BOLT,M8X20-SPW
32	J480001940	1	LID,LEFT REAR COVER
33	V205001420	4	BOLT,M8X20-SPW
34	J503000100	1	PANEL,RIGHT REAR COVER
35	V205001420	4	BOLT,M8X20-SPW
37	V162000870	2	PLUG,CP-30-HP-1
38	J485000330	2	HINGE
39	9144704012	4	SCREW,4X12 TAPPING
40	C701001110	1	HANDLE,C319A2
41	V420003070	1	STAND,RUBBER
42	9138104020	1	SCREW,4X20 TAPPING
43	M472000330	1	COVER,FUEL DOOR
43	P021055310	1	FUEL COVER W/LABEL

REAR ENCLOSURE

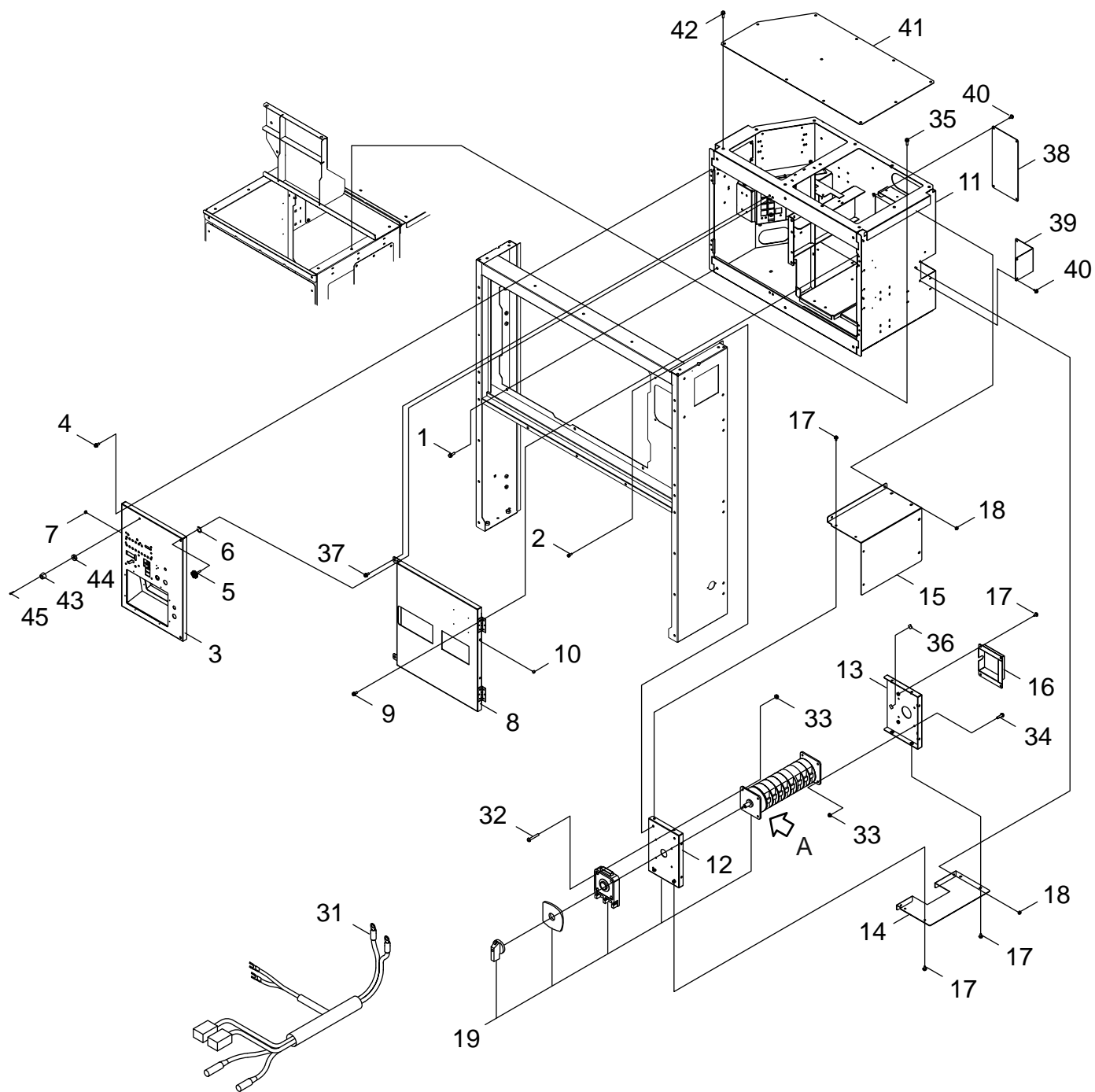


+ Denotes item is part of an assembly  
++ Denotes item is part of a sub-assembly

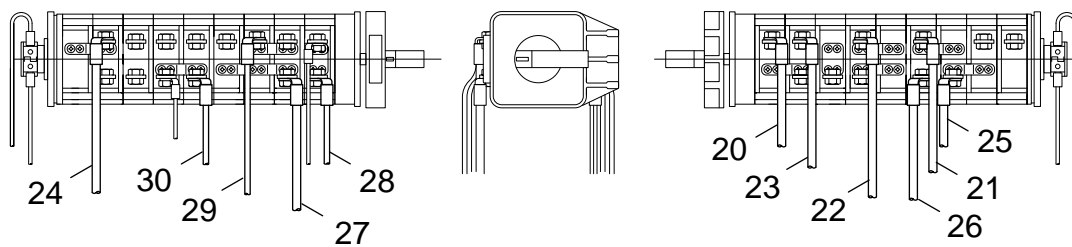
## REAR ENCLOSURE

44	V162000870	2	PLUG,CP-30-HP-1	
45	J485000330	2	HINGE	
46	9144704012	4	SCREW,4X12 TAPPING	
47	C701001110	1	HANDLE,C319A2	
48	M415001281	1	PLATE,REAR UPPER PANEL	
49	M415001291	1	PLATE,REAR LOWER PANEL	
50	V205001420	4	BOLT,M8X20-SPW	
51	V162000500	4	PLUG,C-30-CS-9	
52	90029308020	8	SCREW,M8X20 TRUSS	
53	M418000201	1	PLATE,BAFFLE PARTITION	
54	C528000680	1	STAY,UPPER EXH PIPE PARTITION	
55	C528000690	1	STAY,LOWER EXH PIPE PARTITION	
56	V205001420	16	BOLT,M8X20-SPW	D19001000040-
57	V207000510	10	BOLT,M12X25-SPW	
58	J485000850	4	HINGE,TAKIGEN B-65-1-L	NOT INCLUDED IN NO.59.
59	M473000110	1	COVER,DEF DOOR ASY	
60	M472000251	1	+ COVER,DEF DOOR	
60	P021055300	1	DEF COVER W/LABEL	D19001000040-
61	G129000230	1	+ DUCT,DEF DOOR AIR	D19001000040-
62	V264000220	6	+ FLANGE NUT,M6 SERRATED	
63	M416000080	1	STOPPER,TM-3S10-30 BAND	
64	9134305012	1	SCREW,M5X12	

FRONT PANEL



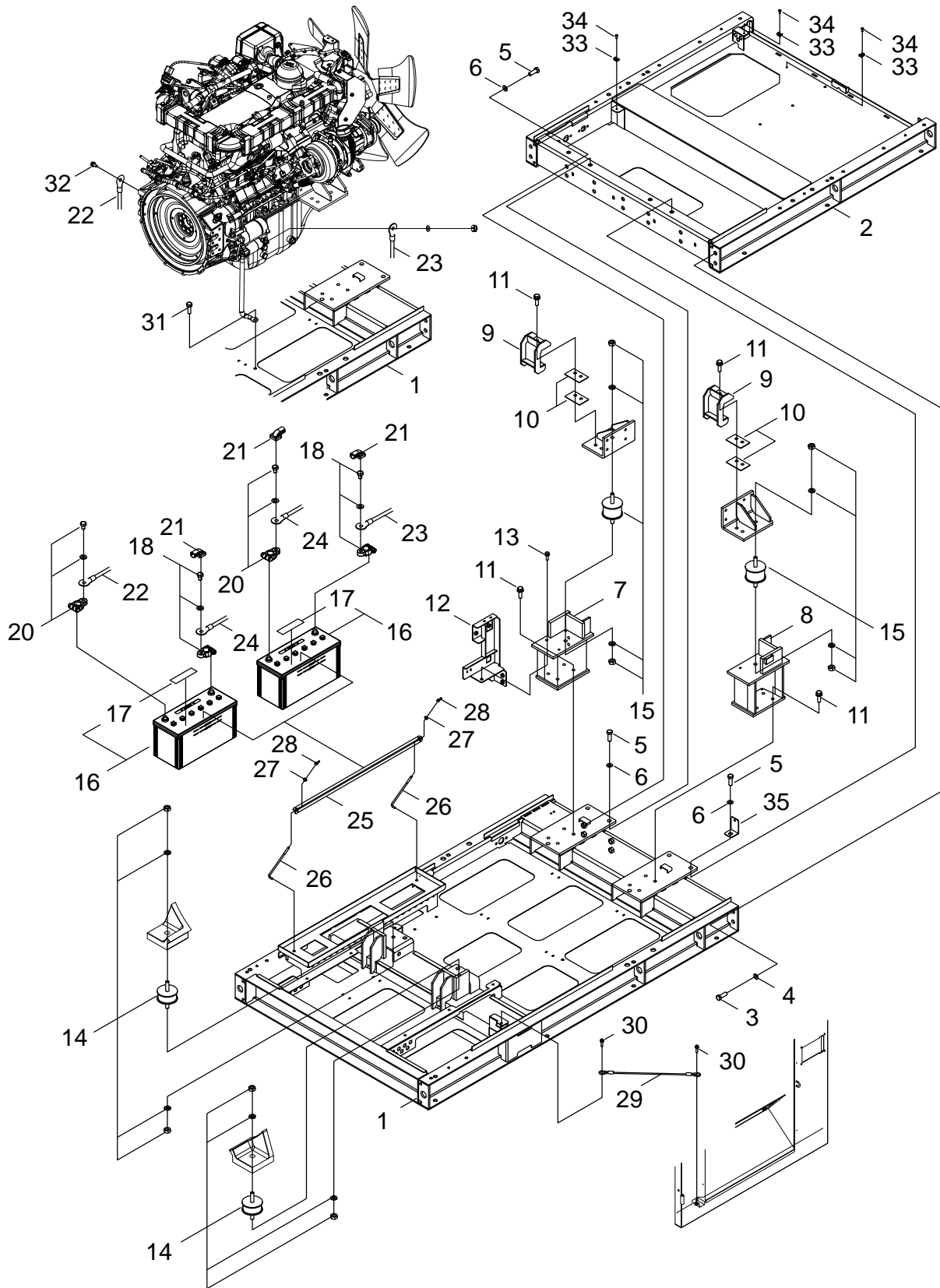
<DETAIL A>



## FRONT PANEL

NO.	PART NUMBER	QTY.	DESCRIPTION
1	V205001420	6	BOLT,M8X20-SPW
2	V204002040	4	BOLT,M6X16
3	C165000450	1	PANEL,OPERATION
3	P021055370	1	LEFT OPERATION PANEL W/LABEL
4	9156404010	6	SCREW,M4X10 W/SW
5	M613000340	2	KNOB,M6 BOLT
6	V583000230	2	RING,U
7	V162000500	2	PLUG,C-30-CS-9
8	C165000460	1	PANEL,RIGHT SIDE OPERATION
8	P021055360	1	RIGHT OPERATION PANEL (W/PANEL)
9	9156404010	6	SCREW,M4X10 W/SW
10	V162000500	2	PLUG,C-30-CS-9
11	J431000131	1	CONTROL BOX
12	A472000780	1	CASE,FRONT SIDE SWITCH
13	A472000790	1	CASE,BACK SIDE SWITCH
14	A472000801	1	CASE,LOWER SIDE SWITCH
15	A472000810	1	CASE,RIGHT SIDE TOP SWITCH
16	A472000820	1	CASE,TERMINAL COVER SWITCH
17	V204001090	16	BOLT,M6X16 FT SW
18	V264000220	4	FLANGE NUT,M6 SERRATED
19	M115000360	1	SWITCH,K&N C315 CAM
20	M389000270	1	LEAD,38MM2 L2100 2-R
21	M389000280	1	LEAD,38MM2 1900 22-U0
22	M389000290	1	LEAD,38MM2 1950 14-U1
23	M389000300	1	LEAD,38MM2 2000 6-S
24	M389000230	1	LEAD,38MM2 2200 29-W0
25	M389000310	1	LEAD,38MM2 2000 28-W1
26	M389000320	1	LEAD,38MM2 1900 24-T
27	M389000330	1	LEAD,38MM2 2550 7-TN
28	M389000340	1	LEAD,14MM2 2500 3-C1
29	M389000350	1	LEAD,14MM2 2500 9-C2
30	M389000360	1	LEAD,14MM2 2500 19-C3
31	G363000970	1	HARNESS,CAM SWITCH WIRE
32	9146106040	4	SCREW,M6X40
33	V264000220	8	FLANGE NUT,M6 SERRATED
34	9102406020	4	BOLT,M6X20 W/SW
35	V205001170	4	BOLT,M8X20-SPW
36	M416000040	1	ADHESIVE CABLE TIE MOUNT
37	V204001090	2	BOLT,M6X16 FT SW
38	J503000120	1	PANEL,CONTROL BOX BACK
39	M472000360	1	COVER,CONTROL BOX SIDE
40	V204001090	8	BOLT,M6X16 FT SW
41	J503000131	1	PANEL,CONTROL BOX TOP
42	V205001170	11	BOLT,M8X20-SPW
43	V420003510	1	STAND,RUBBER
44	V420003100	1	STAND,RUBBER

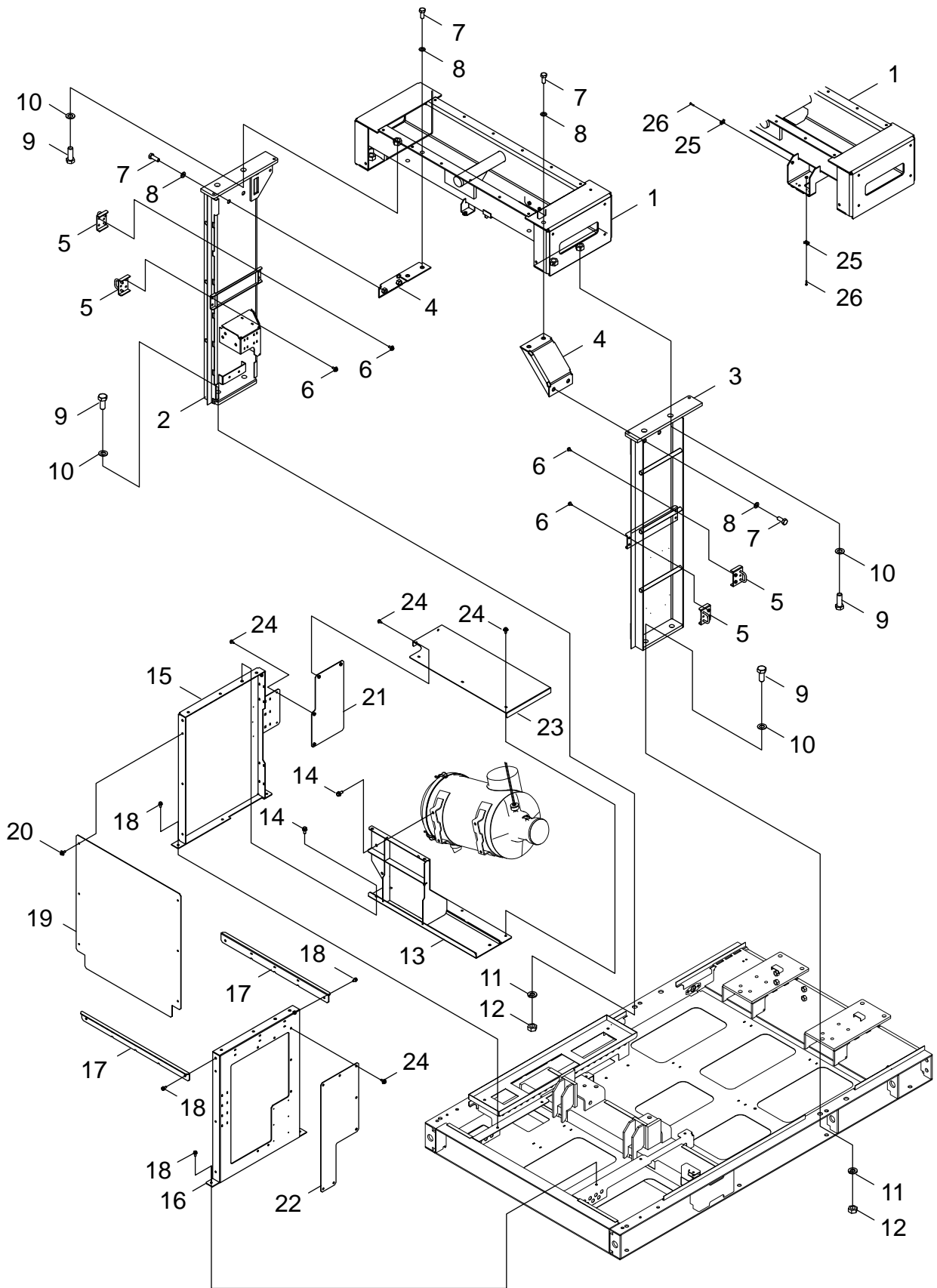
BASE FRAME



## BASE FRAME

NO.	PART NUMBER	QTY.	DESCRIPTION
45	9156404030	1	SCREW,M4X30 W+ SW
1	J404001351	1	FRAME,FRONT BED
1	P021055340	1	FRONT FRAME W/LABEL
2	J404001361	1	FRAME,REAR BED
2	P021055350	1	REAR FRAME W/LABEL
3	V209000250	4	M16X40 BOLT
4	V311000260	4	WASHER,W-16 CIRCULAR
5	9100016040	14	BOLT,M16X40
6	9220316000	14	WASHER,M16
7	J465000820	1	STAND,LEFT ENGINE
8	J465000830	1	STAND,RIGHT ENGINE
9	C617000901	2	STOPPER,ENGINE STAY
10	J231000160	4	SHIM,STOPPER ADJUSTMENT
11	9102412040	12	BOLT,M12X40 W/SW
12	C528000740	1	STAY,FUEL FILTER
13	9102410030	3	BOLT,M10X30-SPW
14	V425000610	2	CUSHION,KA100-70H ALTERNATOR
15	V425000620	2	CUSHION,ENGINE
16	V046000240	2	BATTERY,ASM
17	X505010410	2	+ LABEL,PROPOSITION65/BATTERIES CAUTION
18	V486000201	2	TERMINAL,LEAD
20	V486000211	2	TERMINAL,LEAD
21	G305000040	3	TERMINAL CAP (RED)
22	V485003380	1	LEAD,60MM2 L1000
23	V485003390	1	LEAD,60MM2 L2500
24	V485003400	1	LEAD,60MM2 L600
25	G303000590	1	HOLDER,BATTERY
26	V240000250	2	BOLT,HOOK M8
27	90060200008	2	WASHER,M8
28	9219008000	2	NUT,M8 WING
29	C617000550	1	STOPPER,DOOR
30	9102408035	2	BOLT,M8X35 W/SW
31	V206000590	1	BOLT,M10X25-SPW
32	9102412025	1	BOLT,M12X25
33	M416000010	3	TIE MOUNT
34	9134305012	3	SCREW,M5X12
35	C528000700	1	STAY,FAN GUARD

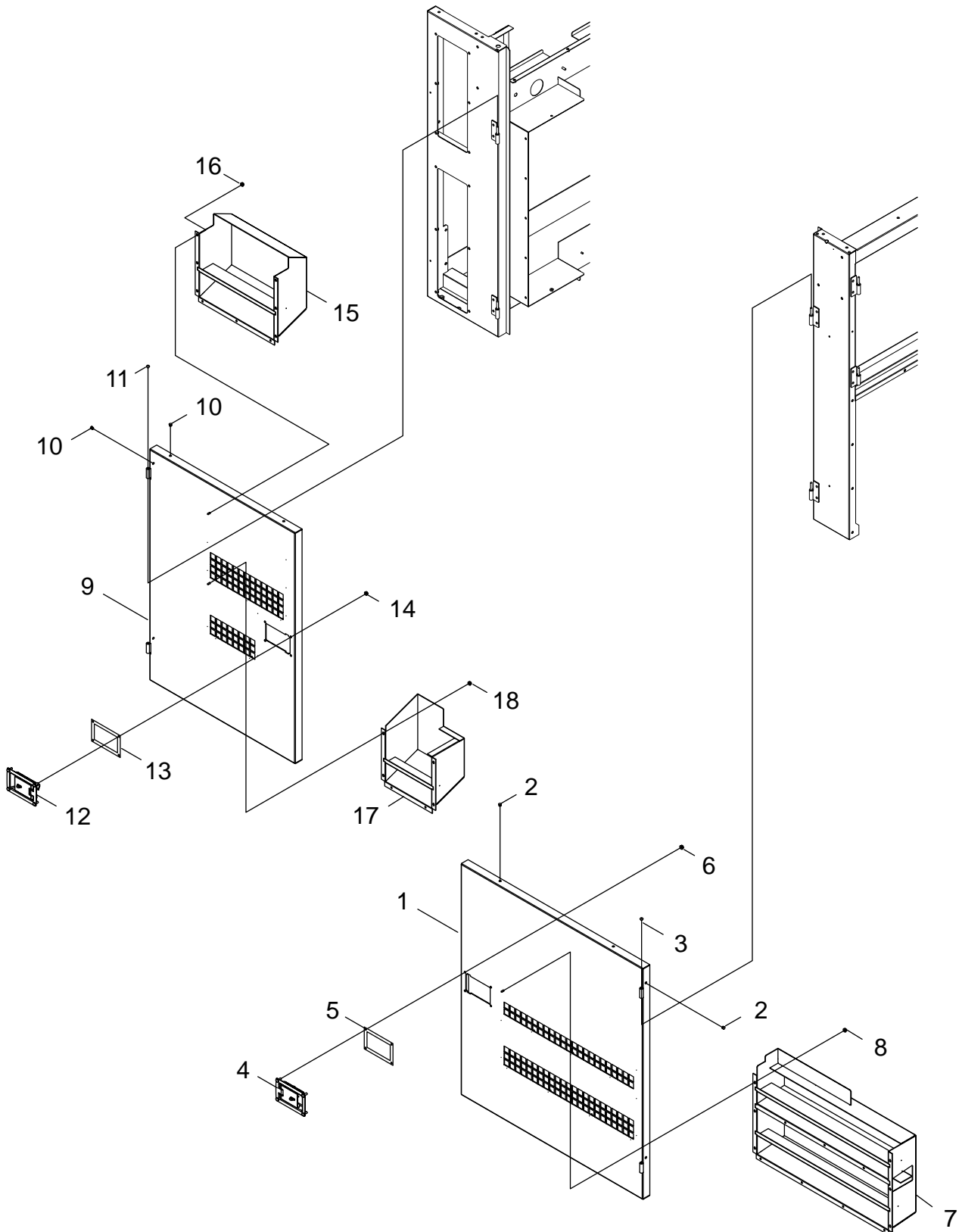
CENTER FRAME



## CENTER FRAME

NO.	PART NUMBER	QTY.	DESCRIPTION
1	J404001370	1	FRAME,UPPER CENTER
2	J404001380	1	FRAME,LEFT CENTER
3	J404001391	1	FRAME,RIGHT CENTER
4	C528000630	2	STAY,CENTER FRAME
5	C649000490	4	HOOK,LATCH HOLDER
6	V204001090	8	BOLT,M6X16 FT SW
7	90010416030	8	BOLT,M16X30
8	V109000210	8	GASKET,W16
9	9109824055	8	BOLT,M24X55
10	9222924000	8	WASHER,M24
11	9223924000	4	WASHER,M24 SPRING
12	9201424000	4	NUT,M24
13	C528000640	1	STAY,AIR CLEANER
14	V206000590	8	BOLT,M10X25-SPW
15	C528000750	1	STAY,LEFT AIR CLEANER STAND
16	C528000662	1	STAY
17	C528000670	2	STAY,AIR CLEANER STAND
18	V205001170	10	BOLT,M8X20-SPW
19	J503000010	1	PANEL,AIR CLEANER STAND
20	V204001090	6	BOLT,M6X16 FT SW
21	M472000220	1	COVER,LEFT ALTERNATOR
22	M472000231	1	COVER,RIGHT ALTERNATOR
23	M472000240	1	COVER,REAR ALTERNATOR
24	V204001090	18	BOLT,M6X16 FT SW
25	M416000010	2	TIE MOUNT
26	9134305012	2	SCREW,M5X12

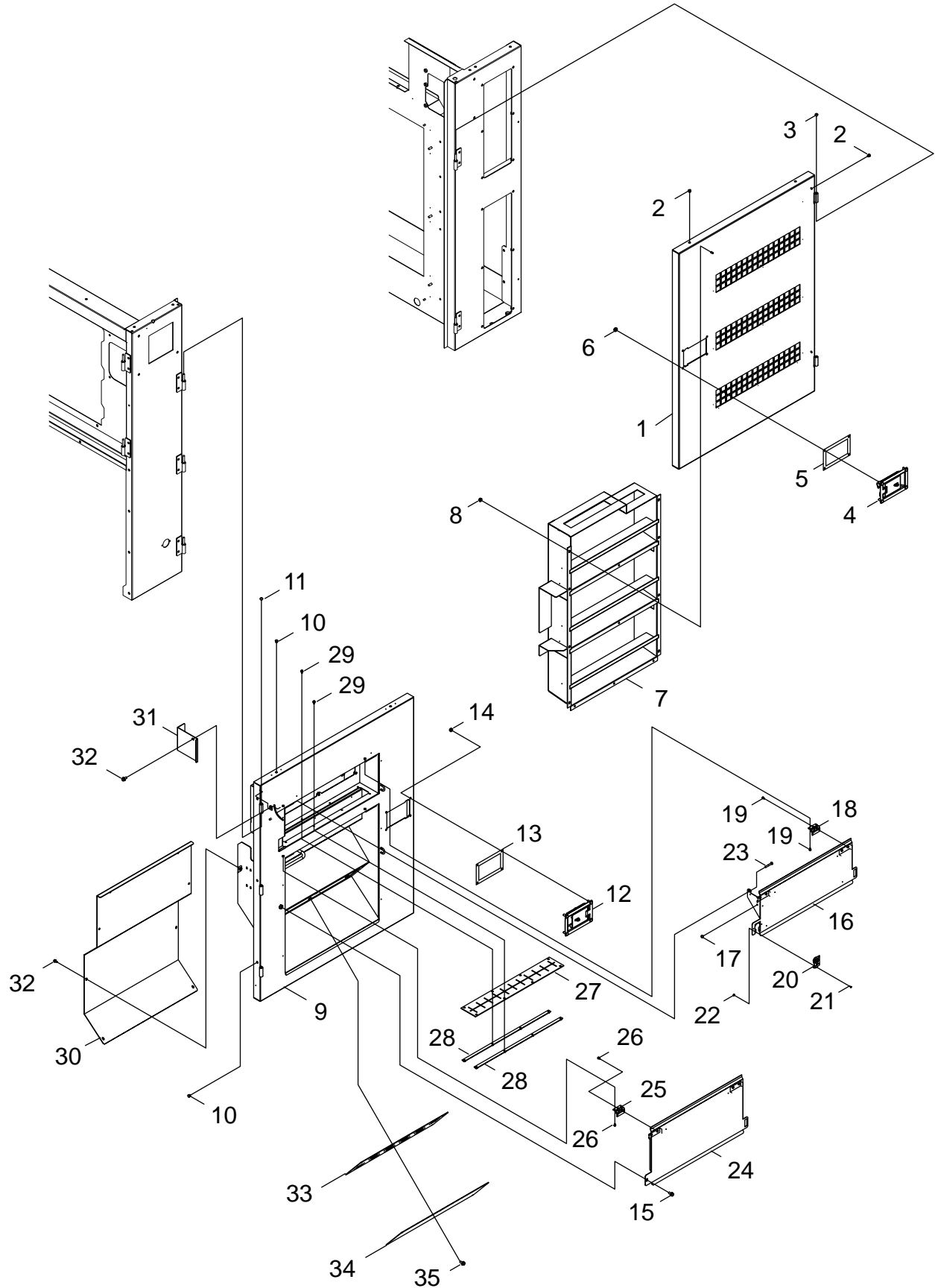
LEFT ENCLOSURE



## LEFT ENCLOSURE

NO.	PART NUMBER	QTY.	DESCRIPTION
1	M404001520	1	DOOR,LEFT FRONT
2	V162000520	4	PLUG,CP-30-HP-3
3	V162000500	2	PLUG,C-30-CS-9
4	C701000440	1	LOCK COVER,A-838-A-3
5	V541000350	1	LOCK COVER GASKET
6	V265000290	4	FLANGE NUT,M8 SERRATED
7	G128001160	1	DUCT,FRONT LEFT DOOR AIR
8	V264000220	14	FLANGE NUT,M6 SERRATED
9	M404001530	1	DOOR,REAR SIDE LEFT
9	P021055270	1	LEFT-REAR DOOR W/LABEL
10	V162000520	4	PLUG,CP-30-HP-3
11	V162000500	2	PLUG,C-30-CS-9
12	C701000440	1	LOCK COVER,A-838-A-3
13	V541000350	1	LOCK COVER GASKET
14	V265000290	4	FLANGE NUT,M8 SERRATED
15	G128001170	1	DUCT,REAR UPPER LEFT DOOR AIR
16	V264000220	9	FLANGE NUT,M6 SERRATED
17	G128001180	1	DUCT,REAR LOWER LEFT DOOR AIR
18	V264000220	6	FLANGE NUT,M6 SERRATED

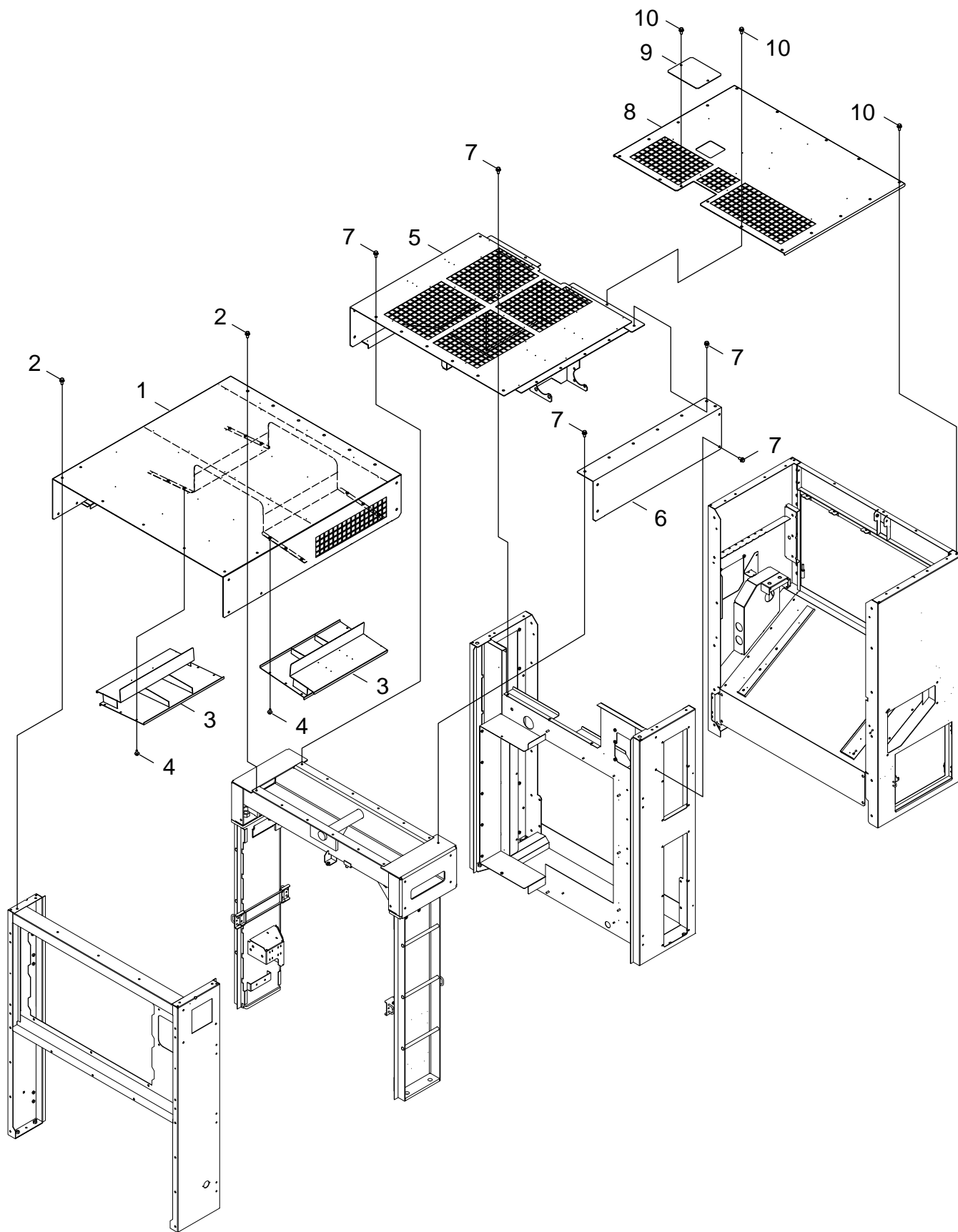
RIGHT ENCLOSURE



## RIGHT ENCLOSURE

NO.	PART NUMBER	QTY.	DESCRIPTION
1	M407000540	1	DOOR,RIGHT REAR SIDE
1	P021055260	1	RIGHT-REAR DOOR W/LABEL
2	V162000520	4	PLUG,CP-30-HP-3
3	V162000500	2	PLUG,C-30-CS-9
4	C701000440	1	LOCK COVER,A-838-A-3
5	V541000350	1	LOCK COVER GASKET
6	V265000290	4	FLANGE NUT,M8 SERRATED
7	G128001150	1	DUCT,REAR RIGHT REAR DOOR AIR
8	V264000220	15	FLANGE NUT,M6 SERRATED
9	M409001400	1	DOOR,OUTPUT SIDE
9	P021055410	1	DOOR SIDE W/LABEL
10	V162000520	5	PLUG,CP-30-HP-3
11	V162000500	3	PLUG,C-30-CS-9
12	C701000440	1	LOCK COVER,A-838-A-3
13	V541000350	1	LOCK COVER GASKET
14	V265000290	4	FLANGE NUT,M8 SERRATED
15	V205001420	1	BOLT,M8X20-SPW
16	M472000261	1	COVER,UPPER TERMINAL
16	P021055420	1	TERMINAL COVER W/LABEL
17	V162000700	1	PLUG,C-30-CS-9-UL
18	J485000490	2	HINGE,TH-125-1
19	9156604012	10	SCREW,M4X12 W/SW BLACK
20	C390000050	1	LATCH
21	90027303012	4	SCREW,3X12
22	V261000010	4	FLANGE NUT,M3 SERRATED
23	9100206040	1	BOLT,M6X40
24	M472000270	1	COVER,LOWER TERMINAL
24	P021055250	1	TERMINAL COVER W/LABEL
25	J485000490	2	HINGE,TH-125-1
26	9156604012	10	SCREW,M4X12 W/SW BLACK
27	J447001920	1	GUARD,RUBBER PARTITION
28	C444000120	2	SUPPORT,GUARD
29	9103405016	8	BOLT,M5X16
30	M472000350	1	COVER,TERMINAL BLOCK BACKSIDE
31	M472000290	1	COVER,LIMITER SWITCH
32	V204001090	10	BOLT,M6X16 FT SW
33	J503000050	1	PANEL,CAM-LOK
34	J503000060	1	PANEL,CAM-LOK UPPER LID
35	V204001610	6	BOLT,M6X165-SPW

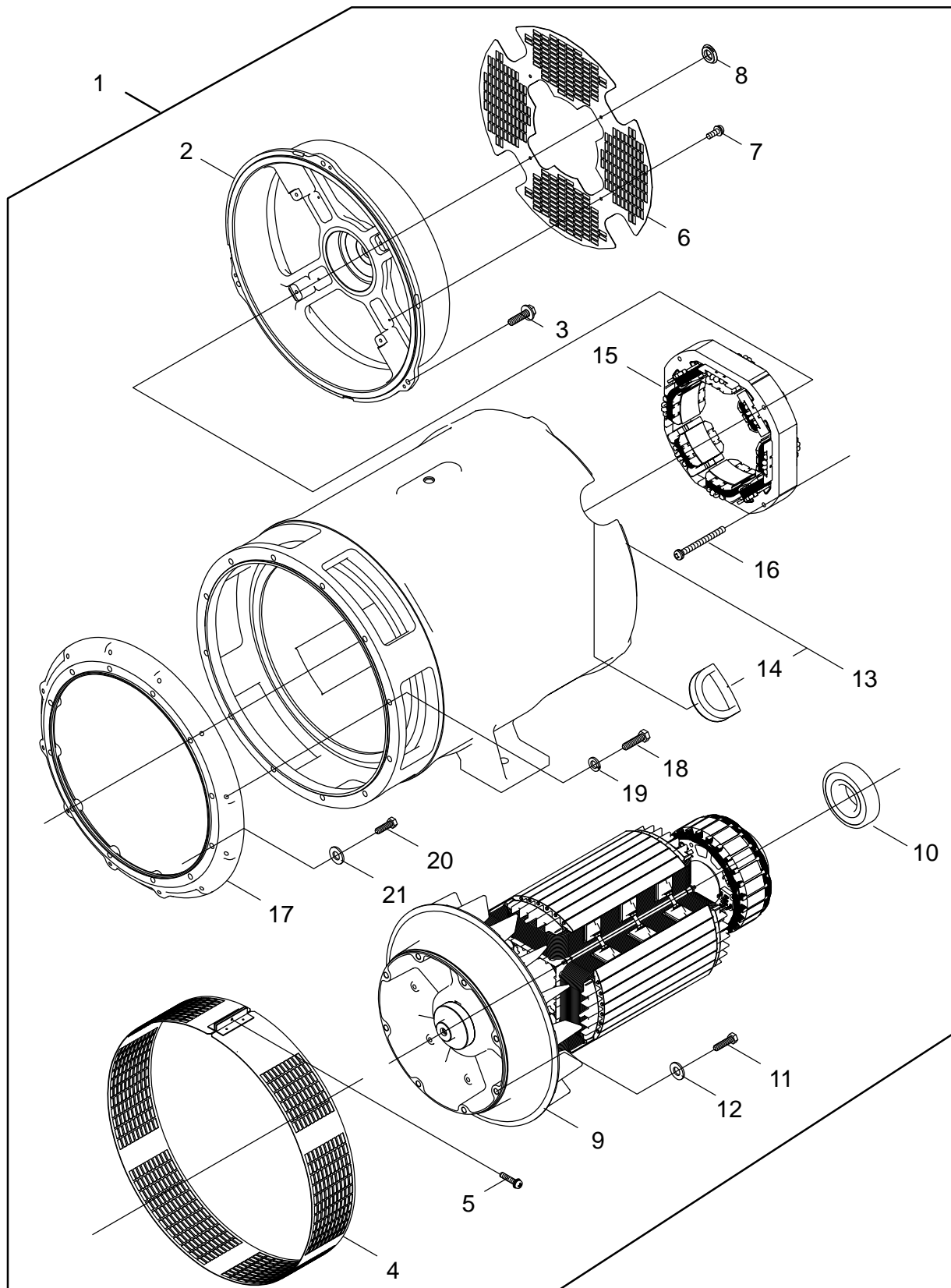
TOP ENCLOSURE



## TOP ENCLOSURE

NO.	PART NUMBER	QTY.	DESCRIPTION	
1	J495000751	1	ENCLOSURE FRAME (TOP FRONT COVER)	
1	P021055210	1	TOP-FRONT BONNET W/LABEL	
2	V205001420	23	BOLT,M8X20-SPW	
3	G128001140	2	DUCT, TOP COVER AIR	
4	V204001090	12	BOLT,M6X16 FT SW	
5	J495000761	1	ENCLOSURE FRAME (CENTER TOP COVER)	
6	J495000770	1	ENCLOSURE FRAME (CENTER RIGHT-SIDE TOP COVER)	
7	V205001420	25	BOLT,M8X20-SPW	
8	J495000780	1	ENCLOSURE FRAME (REAR TOP COVER)	
8	P021055220	1	TOP-REAR BONNET W/LABEL	
9	J480001910	1	LID, REAR TOP COVER	
10	V205001420	17	BOLT,M8X20-SPW	

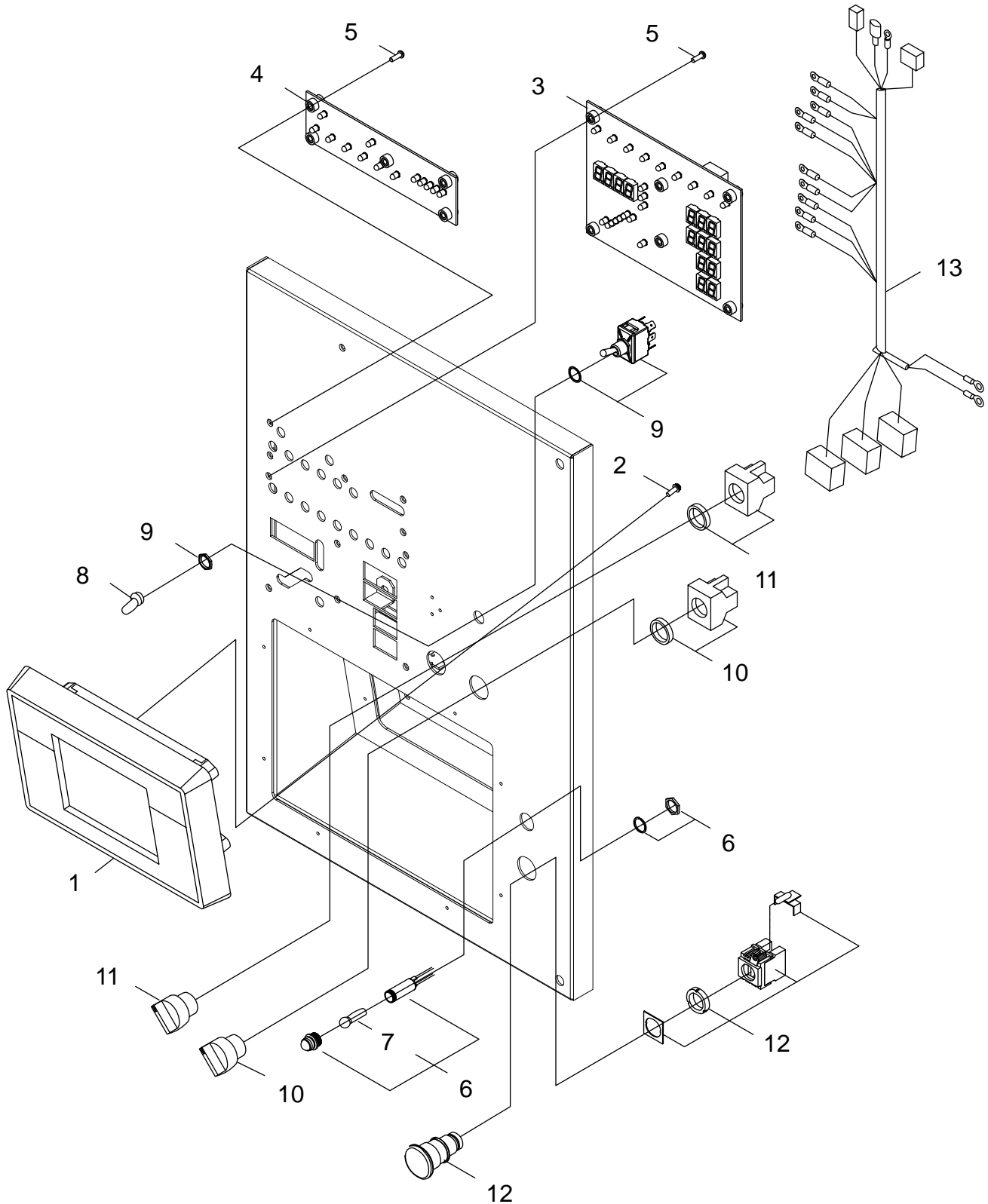
ALTERNATOR



## ALTERNATOR

NO.	PART NUMBER	QTY.	DESCRIPTION
1	G020000053	1	GENERATOR
2	M305000650	1	+ HOUSING,REAR BRACKET
3	9102210035	3	+ BOLT,M10X35 SW
4	A172003590	1	+ COVER,ALTERNATOR FAN
5	9103104030	1	+ BOLT,M4X30 SW
6	M472000300	1	+ COVER,END
7	9103105012	4	+ BOLT,M5X12 SW
8	V145000810	1	+ GROMMET,CIRCULAR
9	M102000951	1	+ ROTOR
10	V592000540	1	+ BEARING,6312ZZECMC3 BALL
11	9102610100	8	+ BOLT,M10X100 10.9
12	90060500010	8	+ WASHER,M10 SPRING
13	A041000982	1	+ STATOR ASSEMBLY,MAIN
14	V144000850	2	++ GROMMET
15	A041000994	1	+ STATOR ASSEMBLY,EXST180_9000115
16	9102408065	4	+ BOLT,M8X65 W/SW
17	V376002720	1	+ SPACER
18	9102610045	12	+ BOLT,M10X45 10.9
19	90060500010	12	+ WASHER,M10 SPRING
20	9102610035	12	+ BOLT,M10X35 10.9
21	90060500010	12	+ WASHER,M10 SPRING

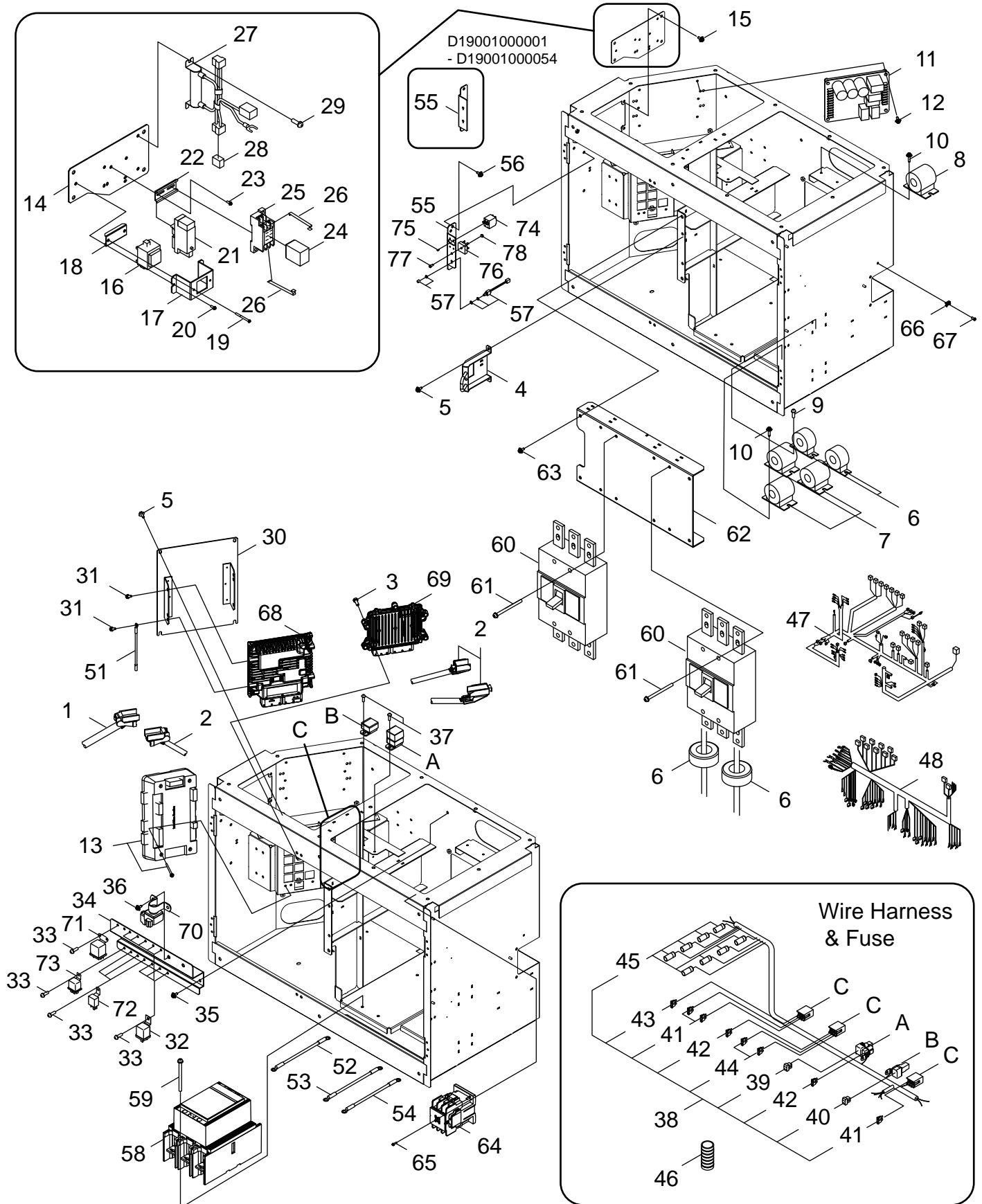
MAIN CONTROL PANEL



## MAIN CONTROL PANEL

NO.	PART NUMBER	QTY.	DESCRIPTION	
1	G370002970	1	UNIT,CONTROL	
2	9156404012	4	SCREW,M4X12 SW	
3	G370002950	1	UNIT,CONTROL	
4	G370002771	1	UNIT,SCR MONITOR CONTROL BOARD	
5	9146104012	11	SCREW,M4X12	
6	G327000460	1	LAMP,DC24V WHITE PILOT	
7	G328000220	1	+ BULB,24V-2W BA9S	
8	V494000910	1	CAP,TOGGLE SWITCH	
9	A045000770	1	SWITCH,NKK S-2F ON-OFF	
10	G334001100	1	SWITCH,AR22PR-311B SELECTOR	
11	G334002210	1	SWITCH	
12	G334001210	1	SWITCH	
13	G363000940	1	HARNESS,WIRE	

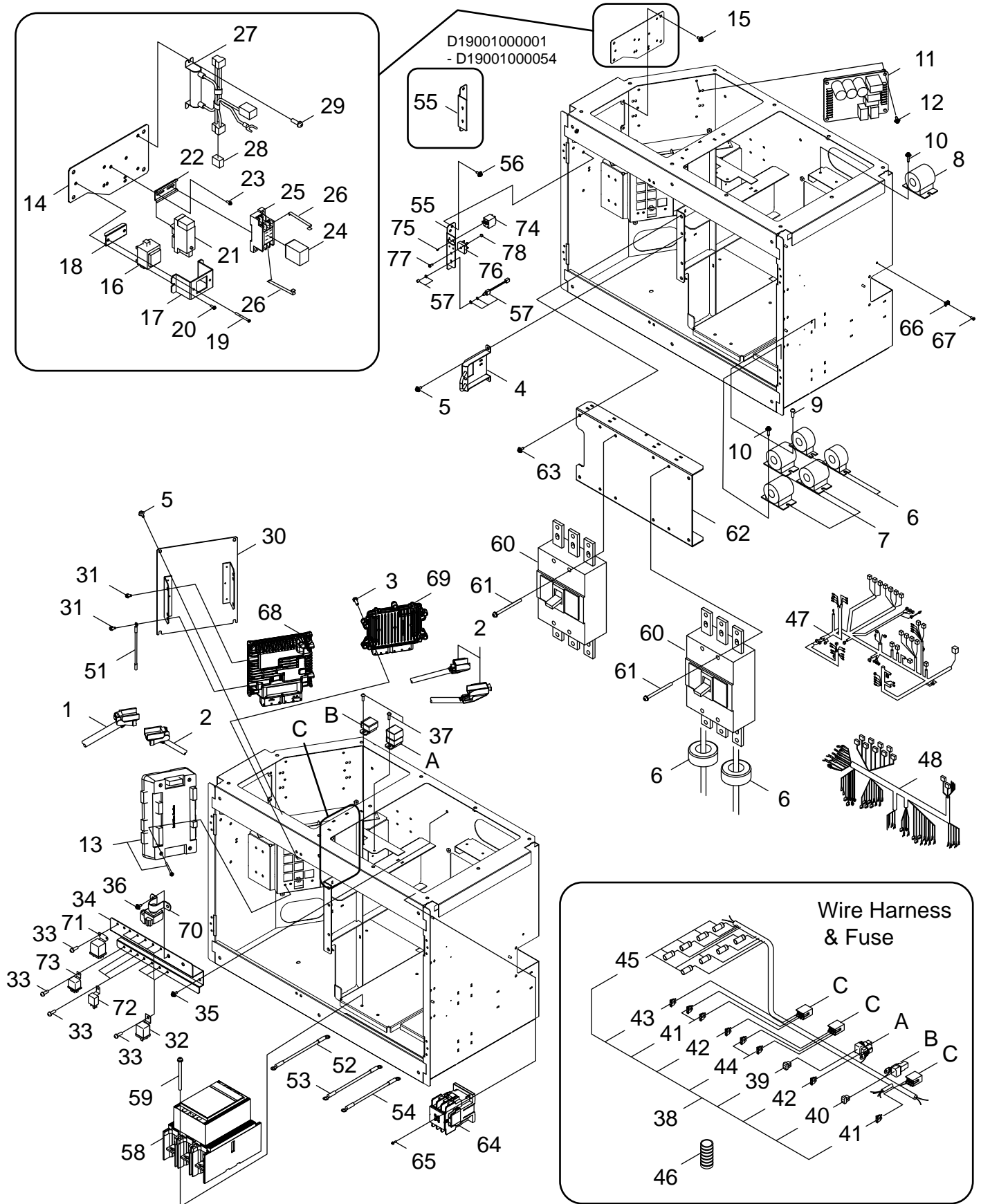
CONTROL BOX



## CONTROL BOX

NO.	PART NUMBER	QTY.	DESCRIPTION	
1	G363000890	1	HARNESS,ECM MAIN WIRE	
2	G363000900	1	HARNESS,DCU MAIN WIRE	
3	90014708030	5	BOLT,M8X30	
4	C649000520	1	HOOK,LATCH HOLDER	
5	V204001090	10	BOLT,M6X16 FT SW	
6	M108000380	4	CT-32 ASM	
7	M108000410	3	CT,ASM	
8	M108000270	1	CT,ASM	
9	9103604012	4	BOLT,M4X12	
10	9103605012	8	BOLT SW	
11	G370002070	1	UNIT,CONTROL	
12	9134105020	4	SCREW SW 5X20S	
13	G370002960	1	UNIT,CONTROL	
14	C528000770	1	STAY,PARALLEL SET	
15	V204001090	4	BOLT,M6X16 FT SW	
16	C163000070	1	TRANSFORMER	
17	C527001400	1	STAY	
18	C527001410	1	STAY	
19	9146104045	2	SCREW	
20	9156404012	2	SCREW,M4X12 SW	
21	G370002050	1	UNIT,CONTROL	
22	C607000250	1	RAIL	
23	9156404012	2	SCREW,M4X12 SW	
24	G343000660	1	RELAY	
25	C153000200	1	SOCKET	
26	C519002640	2	STAY	
27	M110000020	1	RESISTOR COMP	
28	G347000020	1	DIODE	
29	9156404012	2	SCREW,M4X12 SW	
30	C527001940	1	STAY,ECM	
31	V205001170	4	BOLT,M8X20-SPW	
32	G343000500	8	RELAY,DC24V 1C	
33	9156805012	14	SCREW,M5X12 W/SW	
34	C528000780	1	STAY,RELAY	
35	V204001090	3	BOLT,M6X16 FT SW	
36	V205001170	2	BOLT,M8X20-SPW	
37	9146305012	2	SCREW,M5X12 TRUSS	
38	G363000922	1	HARNESS,MAIN WIRE	
39	G350000250	1	+ FUSE,50A	
40	G350000210	1	+ FUSE,60A	
41	G350000230	3	+ FUSE,10A	D19001000001-D19001000054
42	G350000270	2	+ FUSE,30A	
43	G350000220	1	+ FUSE,15A	
44	G350000240	2	+ FUSE,20A	
45	G347000020	8	+ DIODE	
46	V475005950	1	TUBE,50XL200	

CONTROL BOX

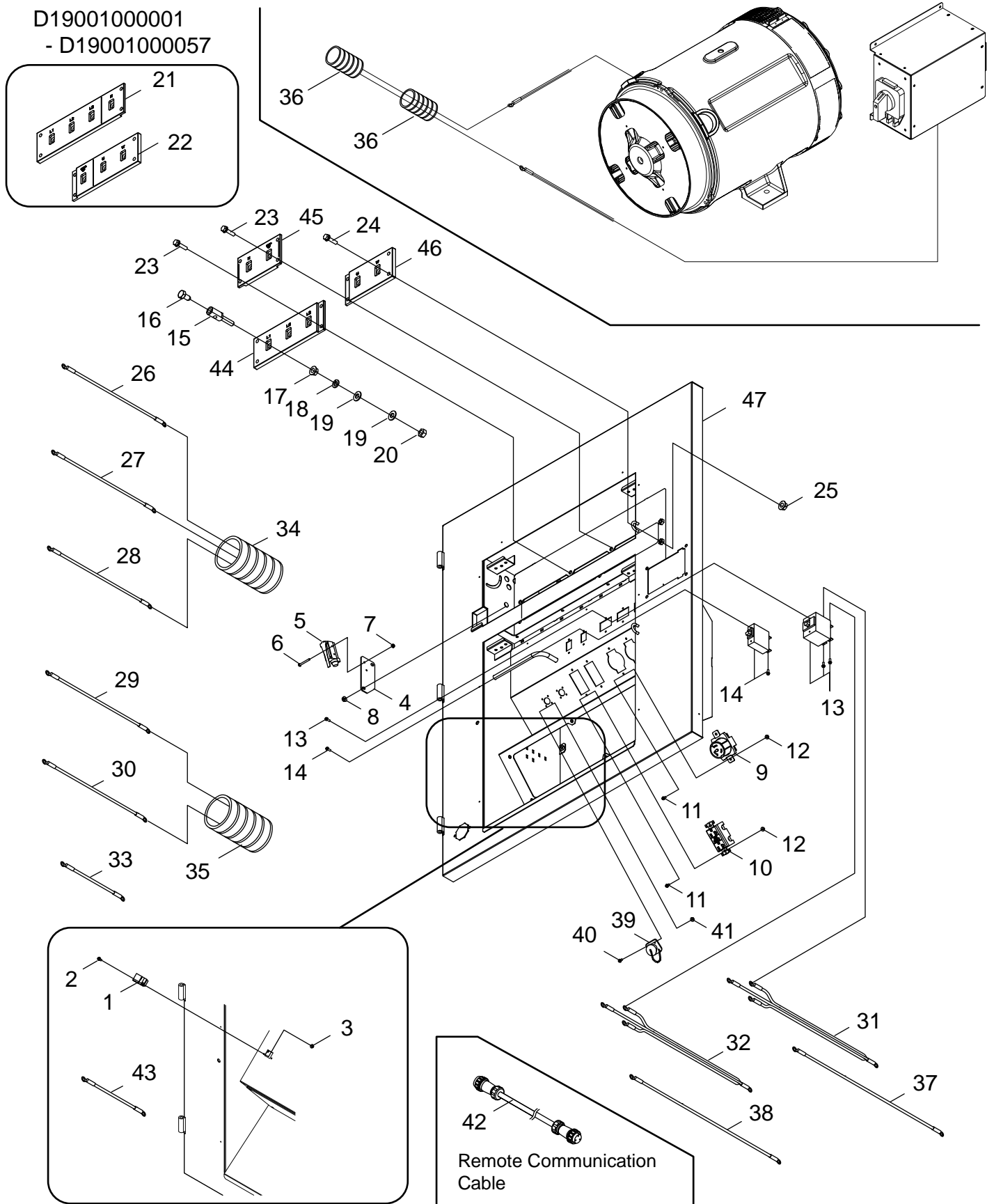


## CONTROL BOX

NO.	PART NUMBER	QTY.	DESCRIPTION	
47	G363000950	1	HARNESS,WIRE	D19001000001-D19001000054
48	G363000960	1	HARNESS,WIRE	D19001000055-
48	G367000021	1	WIRE HARNESS	D19001000055-
51	M388000140	1	LEAD,1.25MM X L150	
52	M390000040	2	LEAD	
53	M390000050	2	LEAD	
54	M390000060	2	LEAD	
55	C528000710	1	STAY	
55	C529000050	1	BRACKET	
55	P021055380	1	SWITCH STAY W/LABEL	
56	V204001090	2	BOLT,M6X16 FT SW	
57	G334002221	1	SWITCH	
58	G334002200	1	SWITCH	
59	9146106075	4	SCREW	
60	M126000320	2	BREAKER	
61	9156406055	8	SCREW,M6X55 W/SW	
62	C528000790	1	STAY,BREAKER	
63	V205001170	4	BOLT,M8X20-SPW	
64	G334002100	1	SWITCH,AR30PCR-3	
65	9156404016	2	SCREW,4X16 SPW	
66	M416000010	1	TIE MOUNT	
67	9134305012	1	SCREW,M5X12	D19001000055-
68	I8975247130	1	CONTROL UNIT,ENG	D19001000055-
69	I8975247140	1	CONTROL UNIT,DEF DCM	D19001000055-
70	I8980056310	1	RELAY,STARTER	D19001000055-
71	I8944607061	1	RELAY,GLOWPLUG	D19001000055-
72	I8980137900	3	RELAY,MAIN&STARTER	
73	I5825500300	1	RELAY	
74	C137000590	1	CIRCUIT PROTECTOR,TP25G 2A DC125V	
75	9134103006	4	M3X6 SCREW	
76	M105000000	1	STARTER EXCITER	
77	9103604016	1	BOLT,M4X16	
78	V262000190	1	FLANGE NUT,M4 SERRATED	

POWER OUTPUT TERMINALS

D1900100001  
- D19001000057

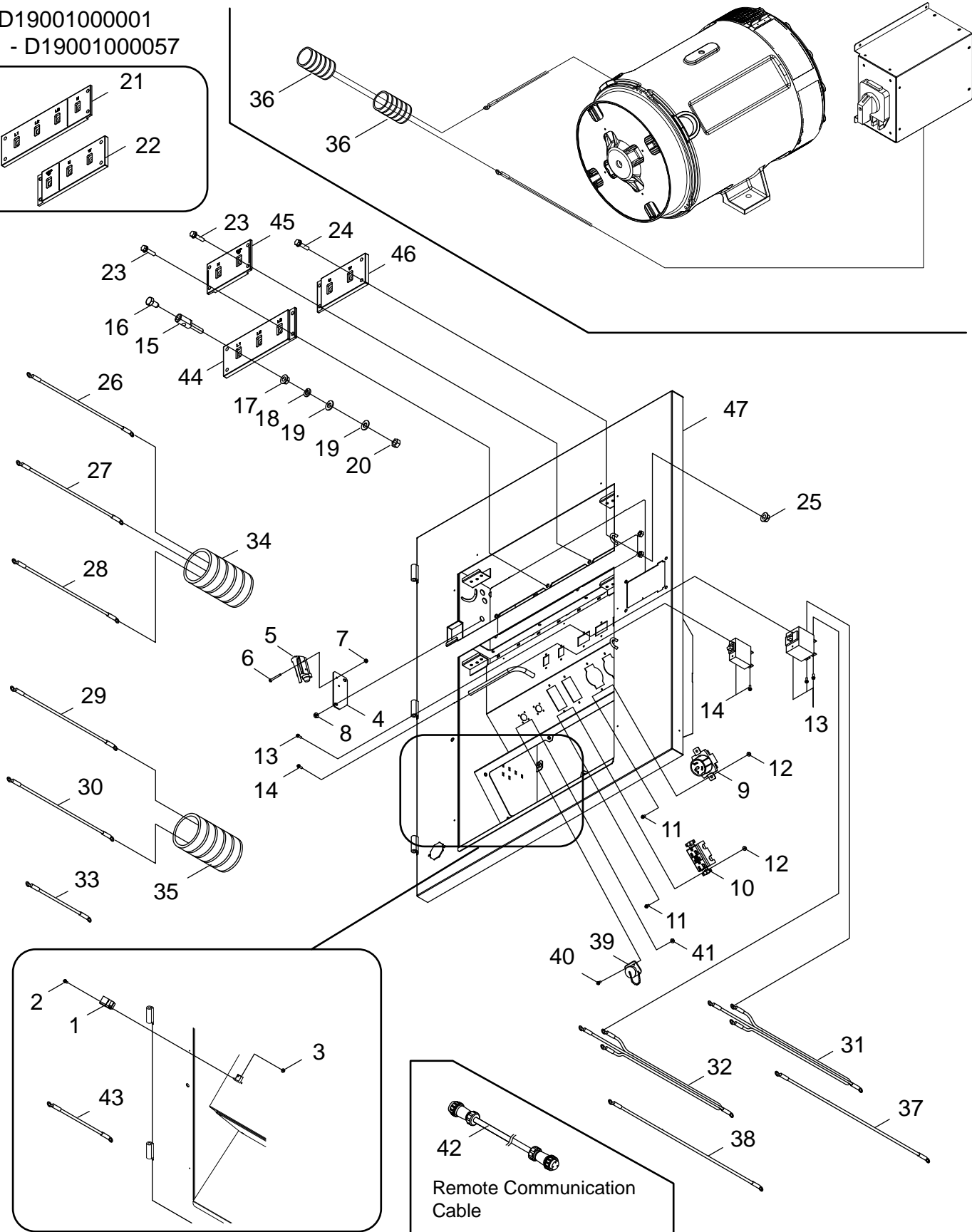
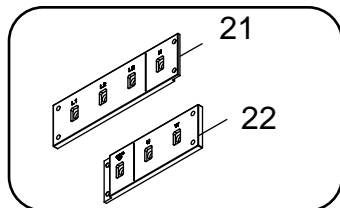


## POWER OUTPUT TERMINALS

NO.	PART NUMBER	QTY.	DESCRIPTION	
1	M308000680	1	BLOCK,TSU-281-2P TERMINAL	
2	9156403012	2	SCREW,M3X12 SW	
3	V261000010	2	FLANGE NUT,M3 SERRATED	
4	C528000181	1	MOUNTING BRACKET,LIMITER SWITCH	
5	G334002091	1	SWITCH	
6	9103104030	2	BOLT,M4X30 SW	
7	V262000190	2	FLANGE NUT,M4 SERRATED	
8	V264000220	2	FLANGE NUT,M6 SERRATED	
9	C154000170	3	PLUG SOCKET,TWIST LOCK 50A 125/250V	
10	C154000491	2	RECEPTACLE,GFCI 20A,125V	
11	9156404012	10	SCREW,M4X12 SW	
12	V262000190	10	FLANGE NUT,M4 SERRATED	
13	C137000070	3	CIRCUIT BREAKER,50A	
14	C137000080	2	CIRCUIT BREAKER,20A	D19001000001D19001000057
15	V229000000	7	TERMINAL POST,M16 - M20	D19001000001D19001000057
16	V211000020	7	BOLT,M20X34	
17	V270000040	7	FLANGE NUT,M16 SERRATED	
18	90060500016	7	WASHER,M16 SPRING	
19	9222716000	14	WASHER,M16	
20	9200516000	7	NUT,M16	
21	M307000450	1	PLATE,L1_L2_L3_N INST	
22	M307000460	1	PLATE,GR_U_W INST	
23	90014708030	7	BOLT,M8X30	
24	9102408040	1	BOLT,M8X40 SW	
25	V265000290	1	FLANGE NUT,M8 SERRATED	
26	M389000180	1	LEAD,80MM2 L2050	
27	M389000190	1	LEAD,80MM2 L2060	
28	M389000200	1	LEAD,80MM2 L2080	
29	M389000210	1	LEAD,80MM2 L2300	
30	M389000220	1	LEAD,80MM2 L2300	
31	M390000000	1	LEAD,5.5MM L430	
32	M390000010	1	LEAD,5.5MM L420	
33	M387000010	1	LEAD,80MM2 L200	
34	V475009530	2	TUBE,36.7X44X350	
35	V475009540	2	TUBE,28XL400	
36	V475009550	2	TUBE,22.1X27X300	
37	M390000020	1	LEAD,2MM L3200	D19001000058
38	M390000030	1	LEAD,2MM L3200	D19001000058
39	C159000220	2	RECEPTACLE	D19001000058
40	9156403012	8	SCREW,M3X12 SW	D19001000001D19001000057
41	V261000010	8	FLANGE NUT,M3 SERRATED	D19001000058
42	V441000950	1	CABLE,CONTROL	D19001000058
43	M390000070	1	LEAD	
44	M307000490	1	PLATE,L1,L2,L3 INST	
45	M307000500	1	PLATE,N GROUND INST	
46	M307000510	1	PLATE,U W INST	

POWER OUTPUT TERMINALS

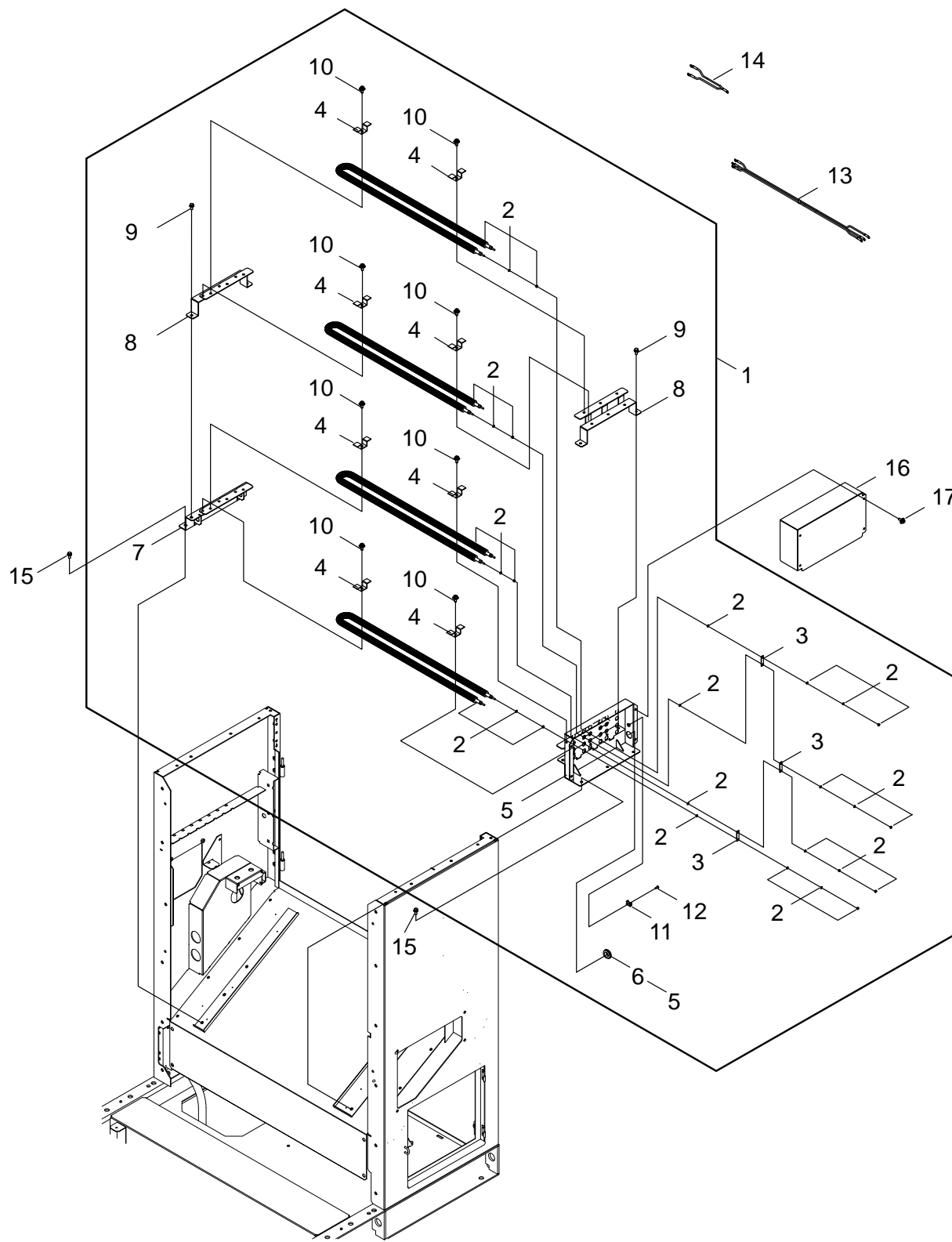
D1900100001  
- D19001000057



## POWER OUTPUT TERMINALS

NO.	PART NUMBER	QTY.	DESCRIPTION	
47	M409001400	1	DOOR,OUTPUT SIDE	
47	M409001401	1	DOOR SIDE	
47	P021055410	1	DOOR SIDE W/LABEL	

HEATER



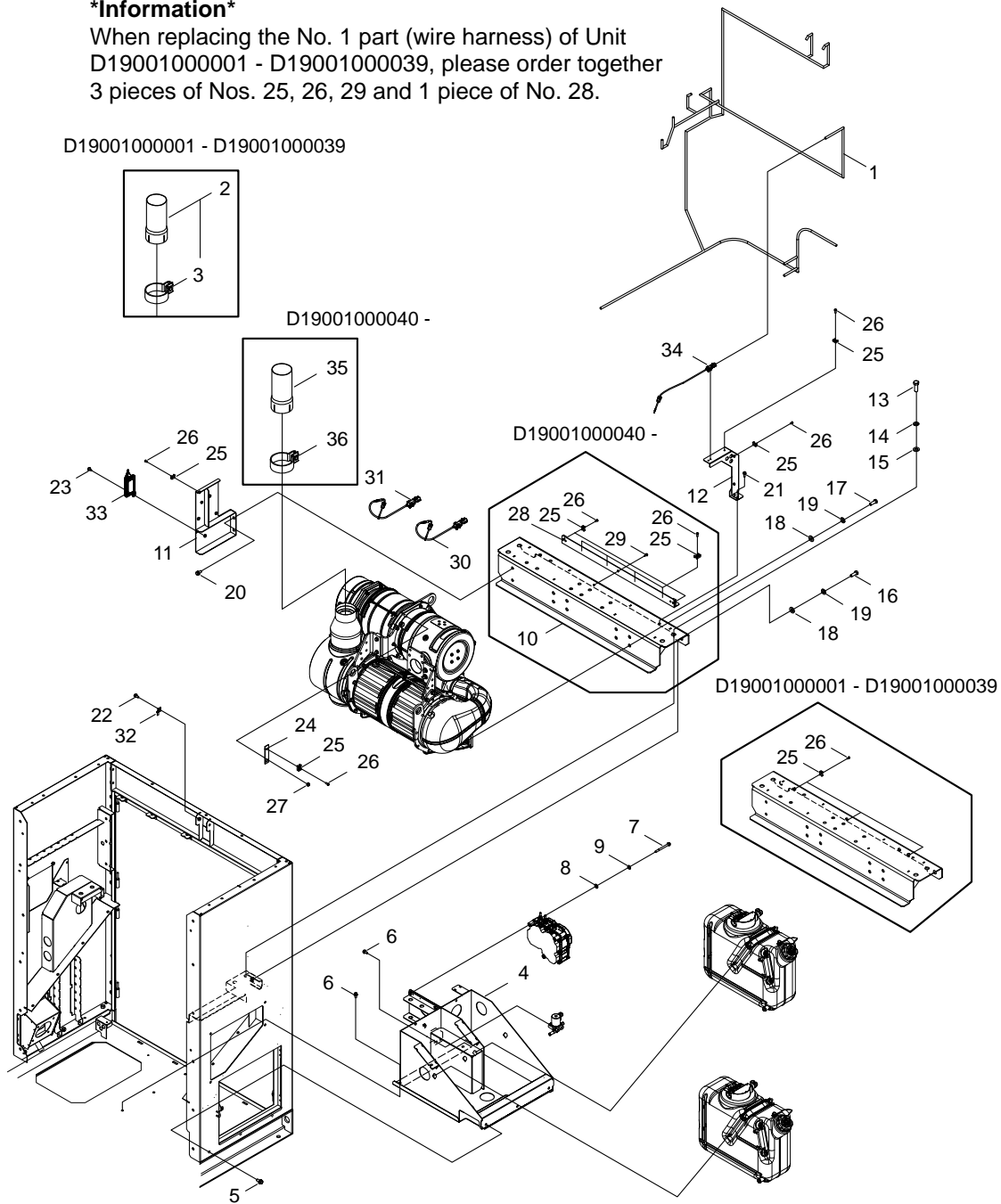
## HEATER

NO.	PART NUMBER	QTY.	DESCRIPTION	
1	P028000000	1	HEATER ASSEMBLY	
2	M110000700	12	+ RESISTOR,HEATER	
3	V150002700	18	+ BUS BAR	
4	V150003230	24	+ PLATE,EYE	
5	M472000310	1	+ COVER,HEATER BOX BRACKET	
6	V145000560	1	++ GROMMET	
7	C528000720	1	+ STAY,LOWER HEATER BRACKET	
8	C528000730	2	+ STAY,UPPER HEATER BRACKET	
9	V205001420	4	+ BOLT,M8X20-SPW	
10	V204002040	24	+ BOLT,M6X16	
11	M416000080	1	+ STOPPER,TM-3S10-30 BAND	D19001000001-D19001000051
12	9134305012	1	+ SCREW,M5X12	D19001000052-D19001999999
13	G363000821	1	HARNESS,HEATER WIRE	D19001000001-D19001000039
14	M389000260	1	LEAD,HEATER	D19001000001-D19001000039
15	V205001420	6	BOLT,M8X20-SPW	
16	M472000320	1	COVER,HEATER BOX	
17	V204002040	4	BOLT,M6X16	

SCR

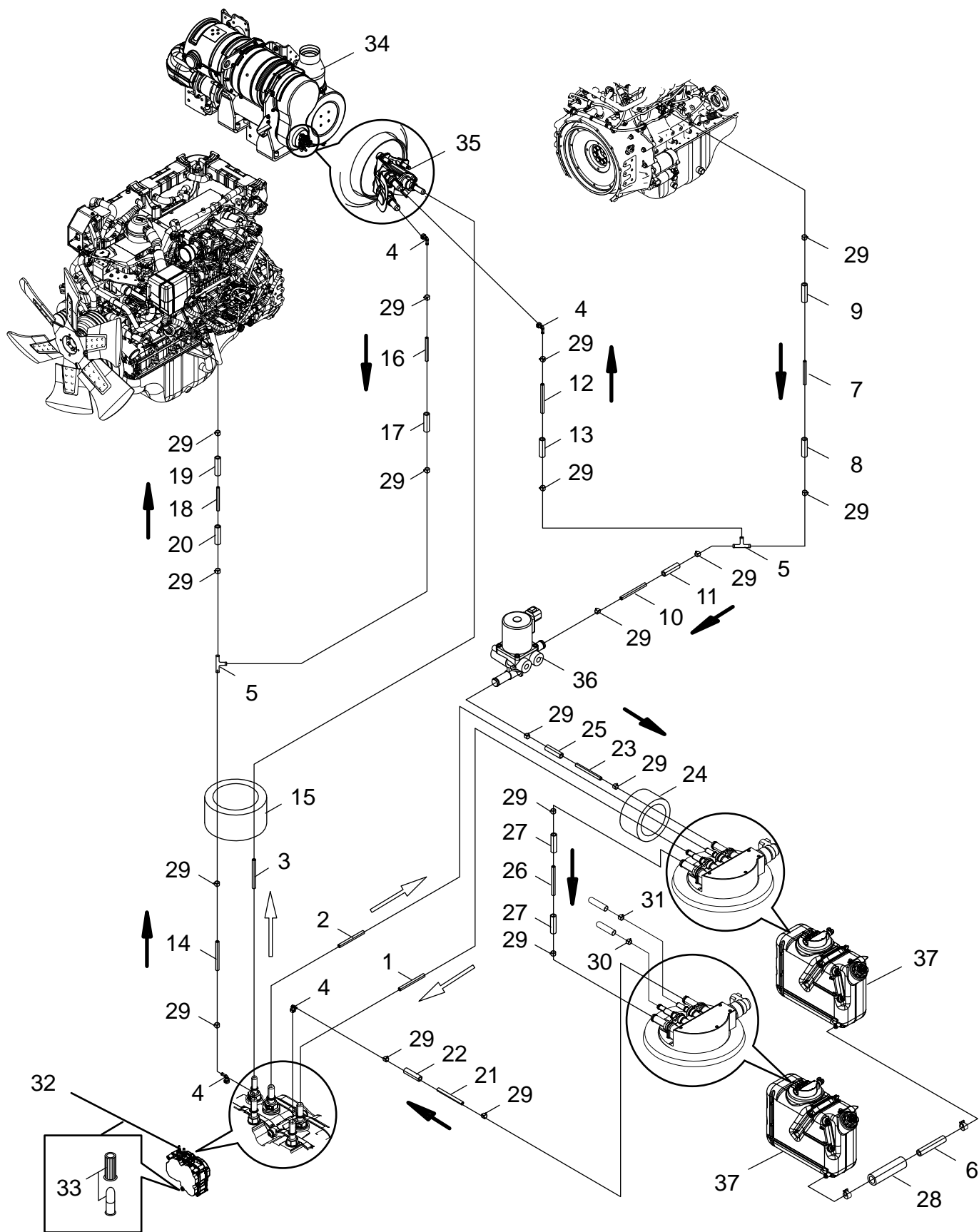
**\*Information\***

When replacing the No. 1 part (wire harness) of Unit D19001000001 - D19001000039, please order together 3 pieces of Nos. 25, 26, 29 and 1 piece of No. 28.



NO.	PART NUMBER	QTY.	DESCRIPTION	
1	G363000910	1	HARNESS,SCR WIRE	
1	G364000640	1	HARNESS,WIRE	
2	G231001370	1	PIPE,EXHAUST EXTENSION	
3	V495003770	1	+ BAND	
4	C528000590	1	STAY,DEF TANK	
5	V205001420	3	BOLT,M8X20-SPW	
6	V205001170	5	BOLT,M8X20-SPW	
7	9100008095	3	BOLT,M8X95	
8	90060200008	3	WASHER,M8	
9	90060500008	3	WASHER,M8 SPRING	
10	C528000600	1	STAY,SCR BRACKET	
11	C528000610	1	STAY,NOX-SENDER BRACKET	
12	C528000620	1	STAY,SCR THERMO-SENDER BRACKET	
13	90010416030	4	BOLT,M16X30	
14	9223516000	4	WASHER,M16 SPRING	
15	9222216000	4	WASHER,M16	
16	90010412025	2	BOLT,M12X25	
17	9100912040	18	BOLT,M12X40	
18	90062000012	20	WASHER,M12	D19001000001-D19001000039
19	90060900012	20	WASHER,M12 SPRING	D19001000040-
20	V206000800	2	BOLT,M10X25-SPW	D19001000001-D19001000039
21	V205001420	2	BOLT,M8X20-SPW	D19001000040-
22	V205001420	2	BOLT,M8X20-SPW	
23	V204002040	4	BOLT,M6X16	
24	C519002460	1	BRACKET,HARNESS	
25	M416000080	9	STOPPER,TM-3S10-30 BAND	
25	M416000080	12	STOPPER,TM-3S10-30 BAND	
26	9134305012	9	SCREW,M5X12	
26	9134305012	12	SCREW,M5X12	
27	V265000290	1	FLANGE NUT,M8 SERRATED	
28	C528001230	1	STAY,SCR HARNESS	D19001000040-
29	9103405016	3	BOLT,M5X16	D19001000040-
30	I8981783581	1	SENSOR,FRONT OXYGEN	DEF TANK - SUPPLY MODULE
31	I8981867621	1	SENSOR,REAR OXYGEN	SUPPLY MODULE - DEF TANK
32	I8976028701	2	BRACKET,HARNESS CLIP	SUPPLY MODULE - DOSING MODULE
33	I8983023941	2	SENSOR,EXHAUST NOX DEF DCM	
34	I8982387670	1	SENSOR,EXH TEMP DEF DCM	
35	G231001720	1	PIPE,EXHAUST	DEF TANK - DEF TANK
36	V495004070	1	BAND,EA463CK-118	ENGINE - T-JOINT

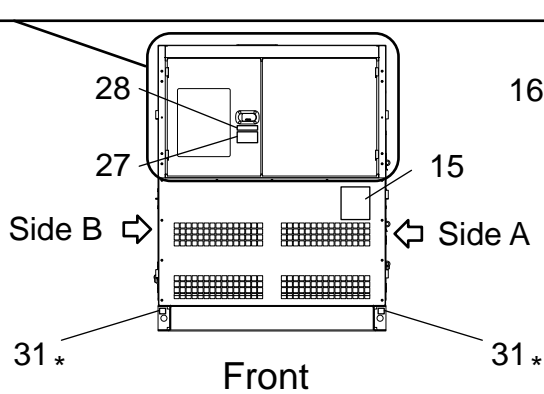
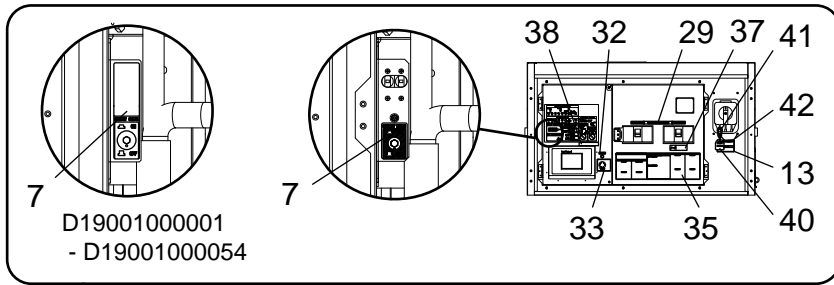
SCR PIPE



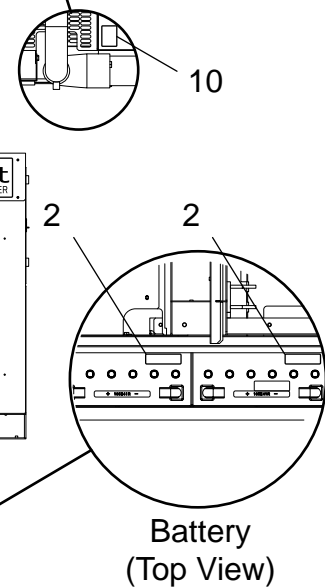
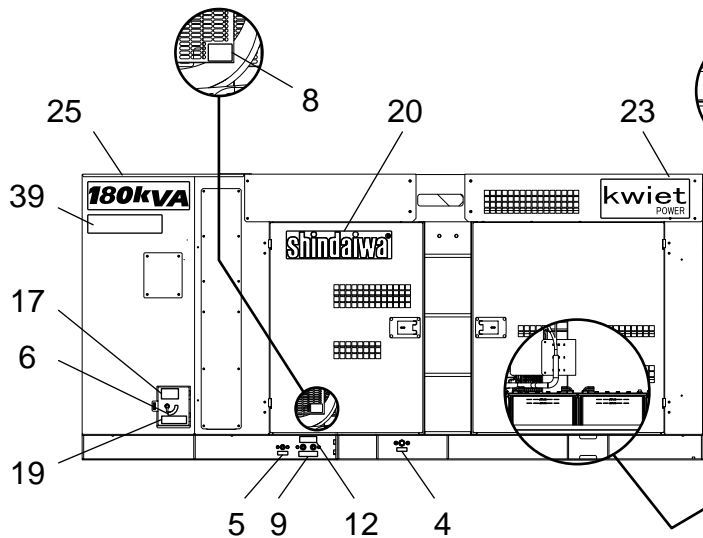
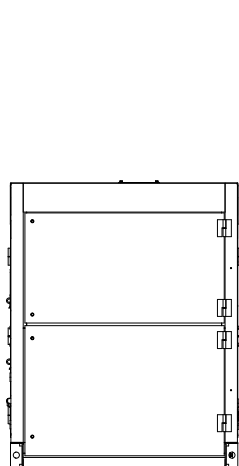
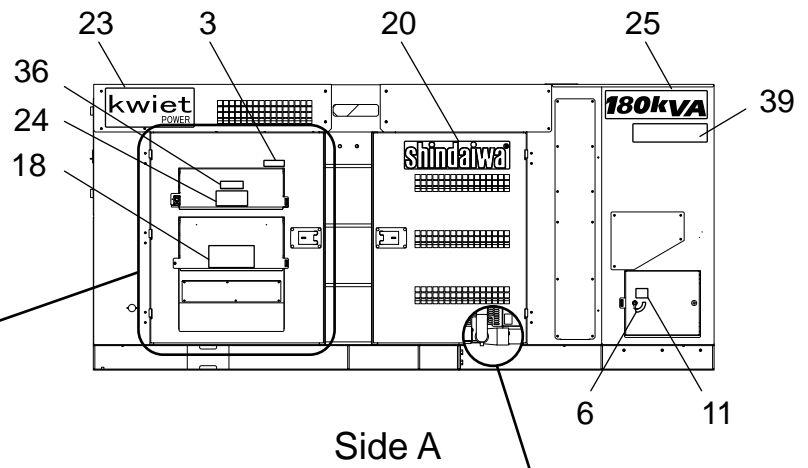
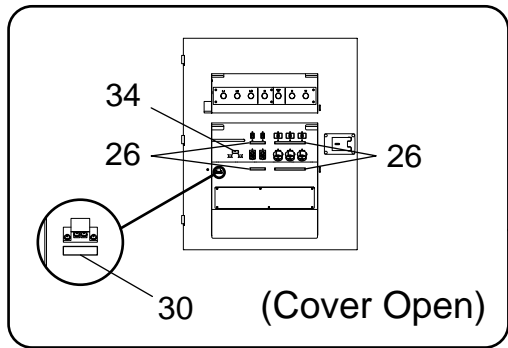
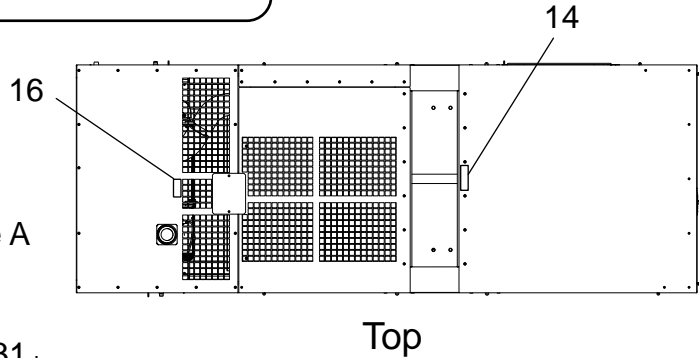
## SCR PIPE

NO.	PART NUMBER	QTY.	DESCRIPTION	
1	K400003480	1	HOSE,4B1019	
2	K400003490	1	HOSE,4B1020	
3	K700002080	1	HOSE,4B1077	T-JOINT - CCV
4	C152001050	4	CONNECTOR,4B1014	
5	M601000400	2	JOINT,4B1015	T-JOINT - DOSING MODULE
6	K700002090	1	HOSE,4B1009	
7	V465001080	1	HOSE,11.3XL2900	SUPPLY MODULE - T-JOINT
8	V476001980	1	TUBE,M10019 L2000	
9	V476002210	1	TUBE,M10019 L850	DOSING MODULE - T-JOINT
10	V465001390	1	HOSE,11.3XL850	
11	V476002220	1	TUBE,M10019 L800	T-JOINT - ENGINE
12	V465001400	1	HOSE,11.3XL1750	
13	V476002230	1	TUBE,M10019 L1725	
14	V465001410	1	HOSE,11.3XL1850	DEF TANK - SUPPLY MODULE
15	V476002241	1	TUBE,M10025 L1900	
16	V465001420	1	HOSE,11.3XL65	CCV - DEF TANK
17	V476002251	1	TUBE,M10019 L65	
18	V465001430	1	HOSE,11.3XL3000	
19	V476001980	1	TUBE,M10019 L2000	DEF TANK - DEF TANK
20	V476002260	1	TUBE,M10019 L1000	
21	V465001440	1	HOSE,11.3XL300	
22	V476002320	1	TUBE,M10019 L275	
23	V465001450	1	HOSE,11.3XL1050	
24	V476002030	1	TUBE,M10060 L400	
25	V476002280	1	TUBE,M10019 L650	
26	V465001460	1	HOSE,11.3XL1800	
27	V476002290	2	TUBE,M10019 L700	
28	V476002301	1	TUBE,M10035 L550	
29	V495003600	18	BAND,KSA-1720	
30	V495001810	1	CLAMP,RS-8005 HOSE	D19001000001-D19001000051
31	V495001800	1	CLIP,RS-8004	D19001000052-D19001999999
32	I8982688122	2	PUMP ASM,DEF DCM SPL	
33	I8981694030	1	+ FILTER KIT,PUMP ASM	
34	I8983245661	1	DPD ASM	
35	I8982318983	1	INJECTOR ASM,DEF DCM	
36	I8976289561	1	VALVE ASM,DEF TANK	
37	I8982861764	2	TANK ASM,DEF	D19001000001-D19001000054
37	I7552084290	2	TANK ASM,DEF	D19001000055-

SHINDAIWA LABELS



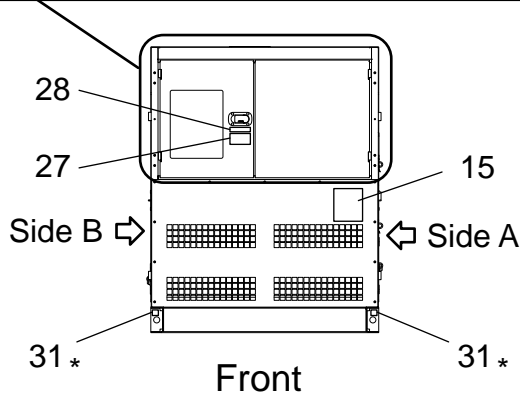
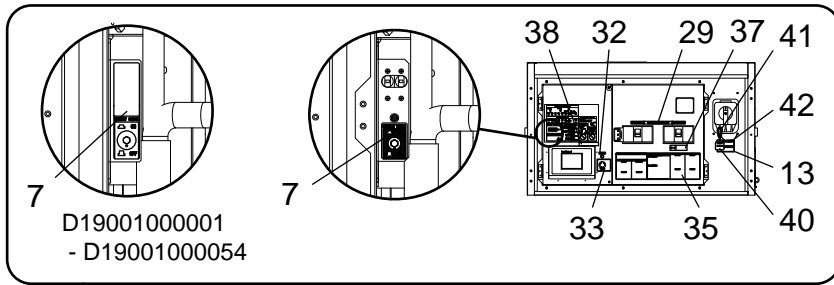
\*Same label on the back.



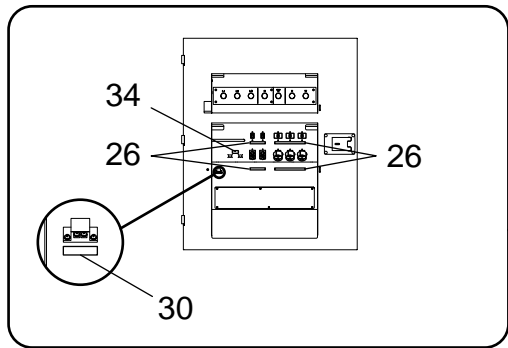
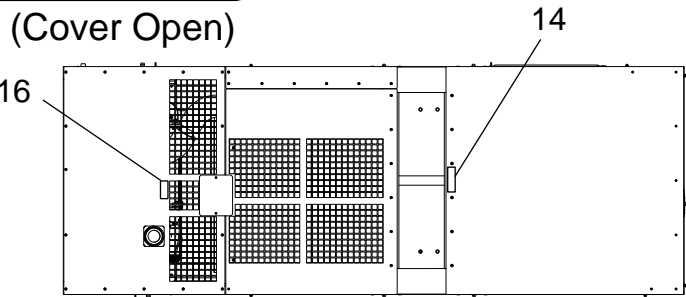
## SHINDAIWA LABELS

NO.	PART NUMBER	QTY.	DESCRIPTION	
2	X505010410	2	LABEL,PROPOSITION65/BATTERIES CAUTION	
3	M704002250	1	LABEL,TERMINAL COVER INSTRUCTIONS INST.	
4	M707000790	1	LABEL,OIL DRAIN INST	
5	M707000800	1	LABEL,WATER DRAIN INST	
6	M707000830	2	LABEL,OPEN-CLOSE INST	
7	M709000300	1	LABEL,INST	
7	M710000170	1	LABEL,INST	
8	M707000940	1	LABEL,3-WAY FUEL VALVE INST	
9	M707000950	1	LABEL,FUEL RETURN INST	
10	M709000160	1	LABEL,INTERCOOLER DRAIN INST	
11	M708000070	1	LABEL,DEF ONLY INST	
12	M709000140	1	LABEL,TANK CAPACITY INST	
13	X564001600	1	CAUTION LABEL	
14	X505007550	1	LABEL,WARNING:INJURY CAUTION	
15	X505010910	1	LABEL,CAUTION/WARNING	
16	X505007840	1	LABEL,CAUTION:GM SPEC LLC	
17	X505008400	1	LABEL,EPA REGULATION C CAUTION	
18	X564000400	1	LABEL,ULTRA LOW SULFUR CAUTION	
19	X505007650	1	LABEL,WARNING/FIRE CAUTION	
20	X504008820	2	LABEL,SHINDAIWA BRAND	
23	M705001830	2	LABEL,FEATURE	
24	M705001500	1	LABEL,SPECIFICATIONS FEATURE	
25	X586000060	2	LABEL	
26	X524004350	1	LABEL,CIRCUIT BREAKER	
27	X505010400	1	LABEL,PROPOSITION65/OPERATING CAUTION	
28	X564000550	1	LABEL,CAUTION	
29	M709000150	1	LABEL,BREAKER INST	
30	M709000310	1	LABEL,INST	
31	X564000530	4	LABEL,CAUTION WARNING/INJURIES TIE HOLE	
32	M704000720	1	LABEL,INST	
33	M707000970	1	LABEL,INST	
34	M707000980	1	LABEL,INST	
35	M709000280	1	LABEL,INST	
36	X505009300	1	LABEL,CAUTION	
37	M709000290	1	LABEL,INST	
38	X564000560	1	LABEL,CAUTION	
39	M705001840	2	LABEL,FEATURE	
40	X564001590	1	CAUTION LABEL	
41	C649000590	1	HOOK	D19001000001-D19001000054
42	X666000330	1	WIRE	D19001000055-

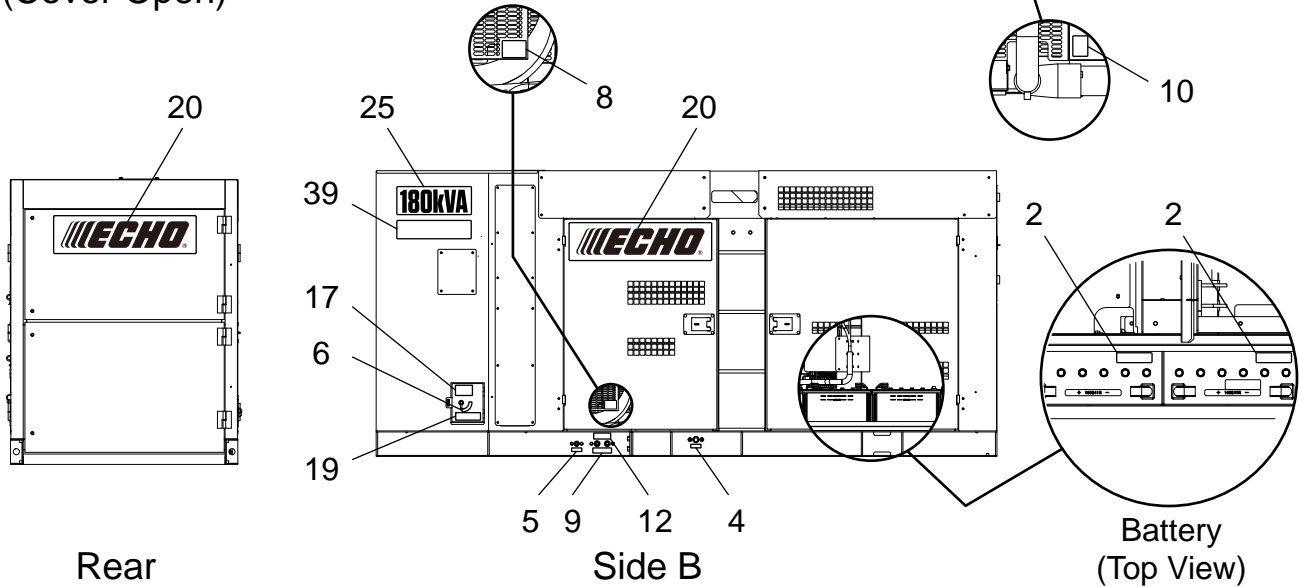
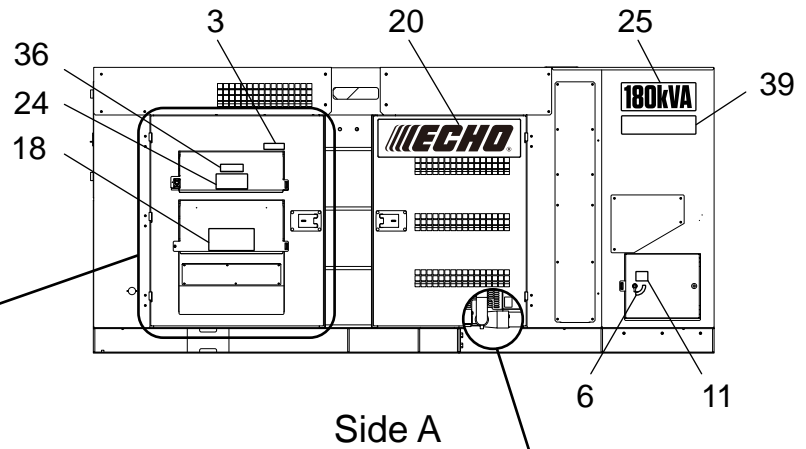
ECHO LABELS



\*Same label on the back.



(Cover Open)

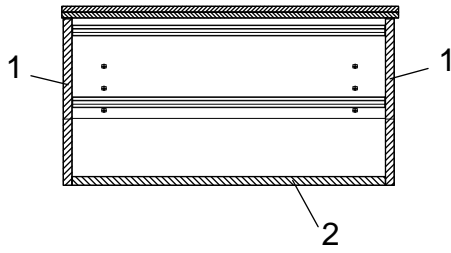


+ Denotes item is part of an assembly  
 ++ Denotes item is part of a sub-assembly

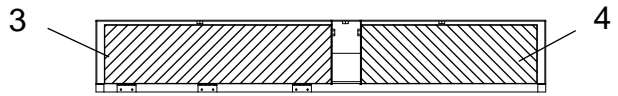
## ECHO LABELS

NO.	PART NUMBER	QTY.	DESCRIPTION
2	X505010410	2	LABEL,PROPOSITION65/BATTERIES CAUTION
3	M704002250	1	LABEL,TERMINAL COVER INSTRUCTIONS INST.
4	M707000790	1	LABEL,OIL DRAIN INST
5	M707000800	1	LABEL,WATER DRAIN INST
6	M707000830	2	LABEL,OPEN-CLOSE INST
7	M709000300	1	LABEL,INST
7	M710000170	1	LABEL,INST
8	M707000940	1	LABEL,3-WAY FUEL VALVE INST
9	M707000950	1	LABEL,FUEL RETURN INST
10	M709000160	1	LABEL,INTERCOOLER DRAIN INST
11	M708000070	1	LABEL,DEF ONLY INST
12	M709000140	1	LABEL,TANK CAPACITY INST
13	X564001600	1	CAUTION LABEL
14	X505007550	1	LABEL,WARNING:INJURY CAUTION
15	X505010910	1	LABEL,CAUTION/WARNING
16	X505007840	1	LABEL,CAUTION:GM SPEC LLC
17	X505008400	1	LABEL,EPA REGULATION C CAUTION
18	X564000400	1	LABEL,ULTRA LOW SULFUR CAUTION
19	X505007650	1	LABEL,WARNING/FIRE CAUTION
20	X502001520	3	LABEL, ECHO
24	M705001500	1	LABEL,SPECIFICATIONS FEATURE
25	X586000240	2	LABEL
26	X524004350	1	LABEL,CIRCUIT BREAKER
27	X505010400	1	LABEL,PROPOSITION65/OPERATING CAUTION
28	X564000550	1	LABEL,CAUTION
29	M709000150	1	LABEL,BREAKER INST
30	M709000310	1	LABEL,INST
31	X564000530	4	LABEL,CAUTION WARNING/INJURIES TIE HOLE
32	M704000720	1	LABEL,INST
33	M707000970	1	LABEL,INST
34	M707000980	1	LABEL,INST
35	M709000280	1	LABEL,INST
36	X505009300	1	LABEL,CAUTION
37	M709000290	1	LABEL,INST
38	X564000560	1	LABEL,CAUTION
39	M705001840	2	LABEL,FEATURE
40	X564001590	1	CAUTION LABEL
41	C649000590	1	HOOK
42	X666000330	1	WIRE

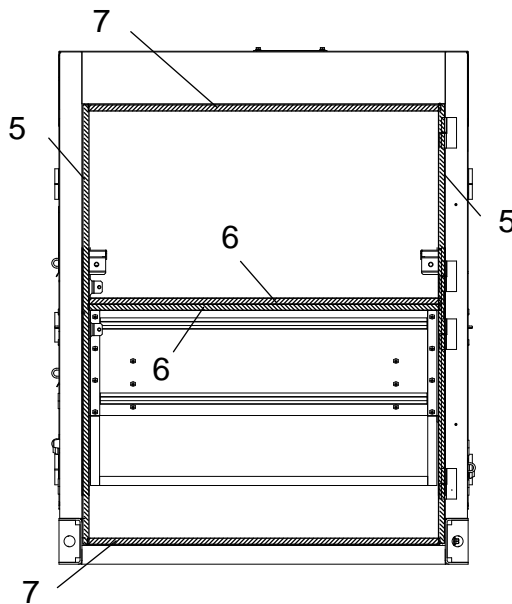
ENCLOSURE FRAME - CENTER AND REAR, SEALS AND INSULATION



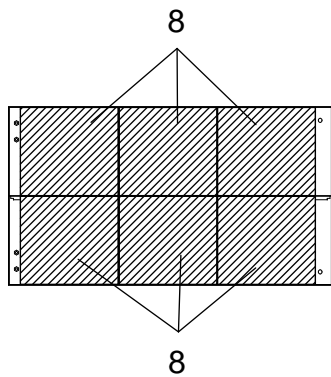
top view  
Baffle Plate



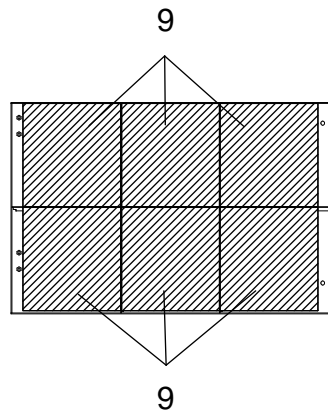
back view  
Rear bonnet : top cover



Rear side (with door removed)



back view  
Rear panel : top

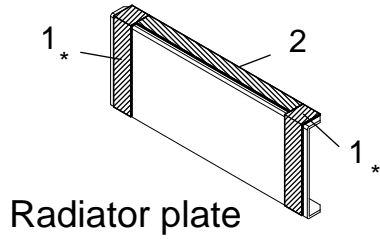


back view  
Rear panel : bottom

## ENCLOSURE FRAME - CENTER AND REAR, SEALS AND INSULATION

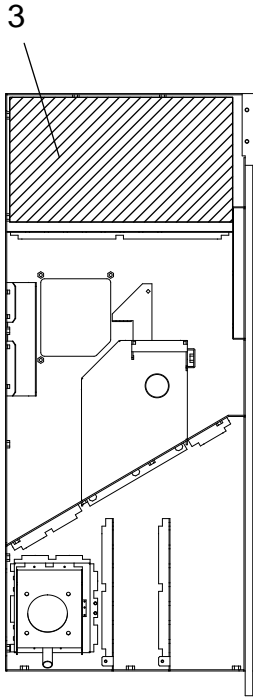
NO.	PART NUMBER	QTY.	DESCRIPTION
1	V543000340	2	BAFFLE PLATE SEAL,T4X30X965
2	V543000350	1	BAFFLE PLATE SEAL,T4X30X1080
3	V900000020	1	INSULATION,T20X155X600 REAR ENCLOSURE FRAME TOP COVER
4	V900000030	1	INSULATION,T20X155X465 REAR ENCLOSURE FRAME TOP COVER
5	J414002290	2	SEAL,T10X20X1400 ENCLOSURE FRAME
6	J414002610	2	BONNET SEAL,T10X20X1160
7	J414002300	2	SEAL,T20X155X465 ENCLOSURE FRAME REAR ENCLOSURE FRAME TOP COVER
8	V900000040	6	INSULATION,T10X320X355 REAR PANEL TOP
9	V900000050	6	INSULATION,T10X355X375 REAR PANEL BOTTOM

ENCLOSURE FRAME - REAR COVERS, SEALS AND INSULATION

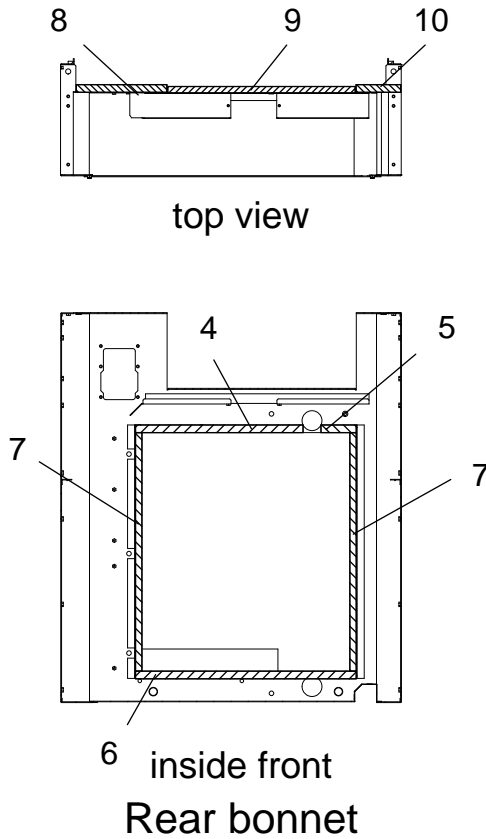


\* This seal has no holes.  
Please make a hole when reapplying the sticker.

Radiator plate

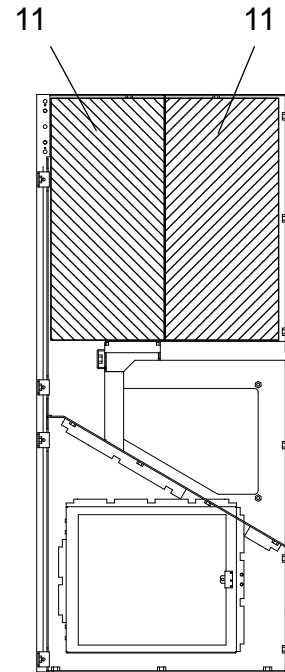


back view  
Rear bonnet : left

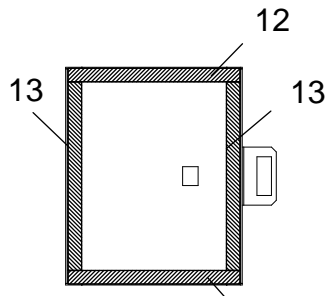


top view

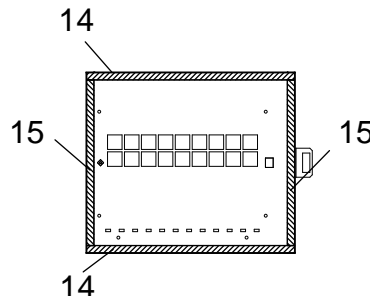
inside front  
Rear bonnet



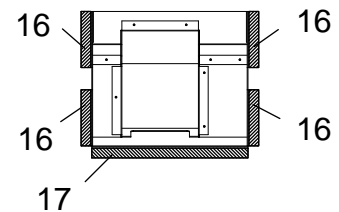
back view  
Rear bonnet : right



back view  
Fuel cover



back view  
DEF cover

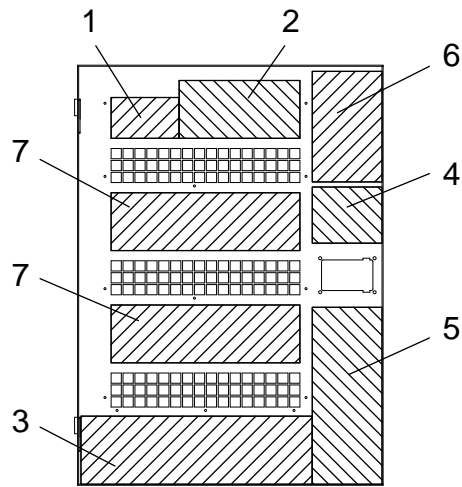


back view  
Airduct : DEF cover

## ENCLOSURE FRAME - REAR COVERS, SEALS AND INSULATION

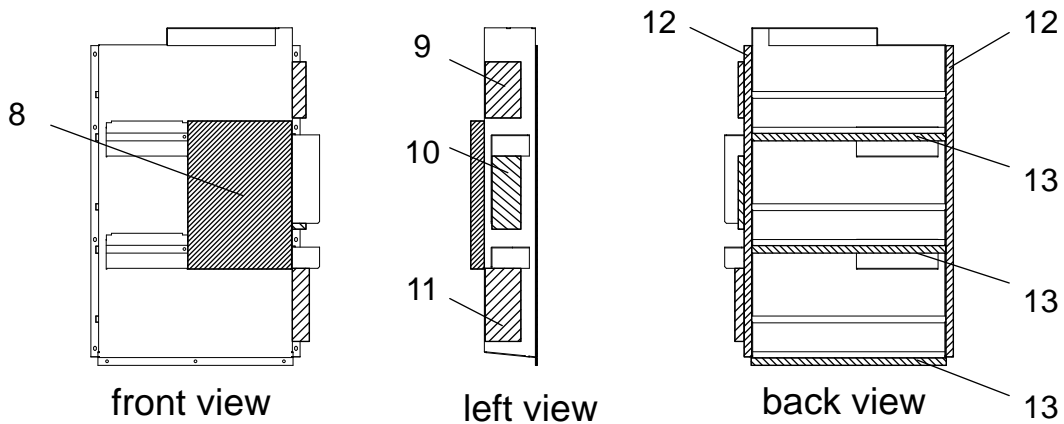
NO.	PART NUMBER	QTY.	DESCRIPTION
1	V543000040	2	SEAL,T1.5X20X115 DEF COVER AIR DUCT
2	V543000430	1	RADIATOR PANEL PLATE SEAL,T1.5X15X180
3	V900000000	1	INSULATION,T50X330X590 REAR ENCLOSURE FRAME LEFT SIDE COVER
4	V542000330	1	SEAL,T30X30X655 REAR ENCLOSURE FRAME
5	V542000340	1	SEAL,T30X30X140 REAR ENCLOSURE FRAME
6	V542000350	1	SEAL,T30X30X865 REAR ENCLOSURE FRAME
7	V542000360	2	SEAL,T20X25X935 REAR ENCLOSURE FRAME
8	V542000370	1	SEAL,T4X30X355 REAR ENCLOSURE FRAME
9	V542000380	1	SEAL,T4X30X175 REAR ENCLOSURE FRAME
10	V542000390	1	SEAL,T4X25X735 REAR ENCLOSURE FRAME
11	V900000010	2	INSULATION,T50X300X640 REAR ENCLOSURE FRAME RIGHT TOP COVER
12	V543000050	2	SEAL,T4X15X180 FUEL COVER
13	V543000060	2	SEAL,T4X15X195 FUEL COVER
14	V543000020	2	SEAL,T3X15X430 DEF COVER
15	V543000030	2	SEAL,T3X15X345 REAR PANEL BOTTOM AIR DUCT
16	V543000040	4	SEAL,T1.5X20X115 DEF COVER AIR DUCT
17	V544000100	1	SEAL,T1.5X20X320 DEF COVER AIR DUCT

ENCLOSURE FRAME - REAR AND FRONT DOOR, SEALS AND INSULATION



back view

Rear door

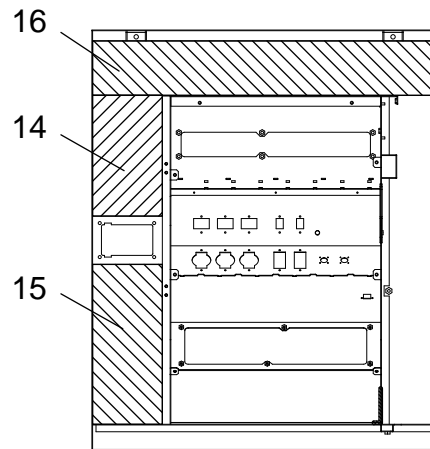


front view

left view

back view

Airduct : rear door



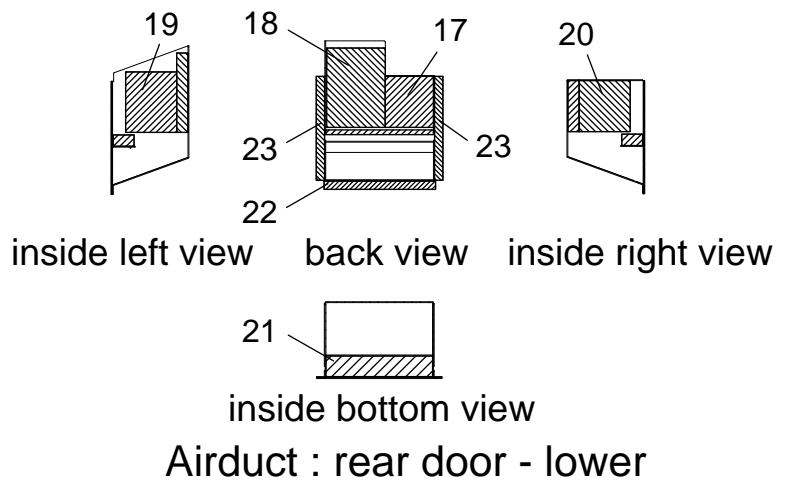
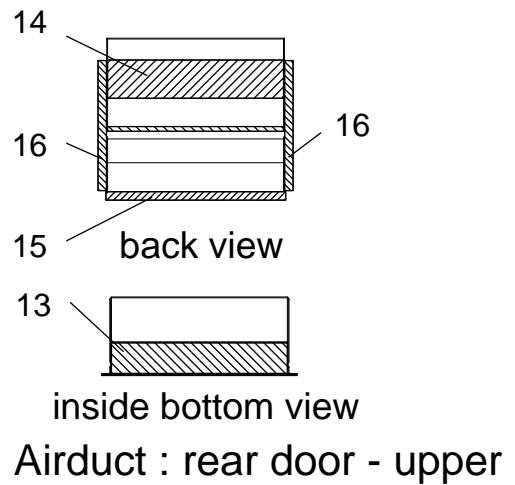
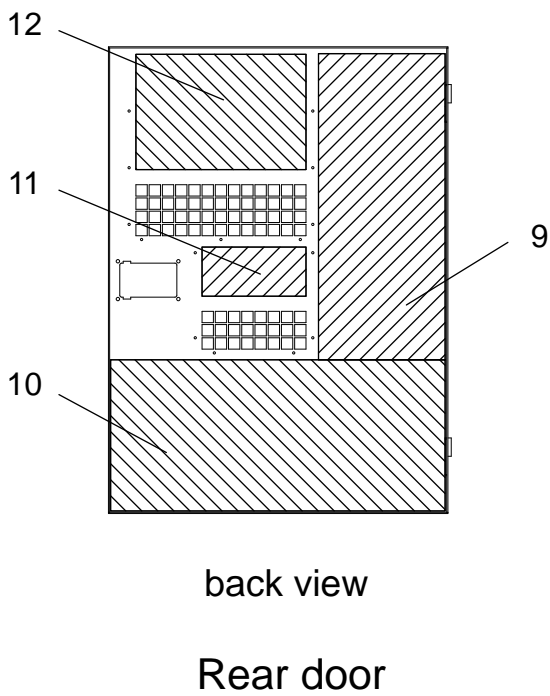
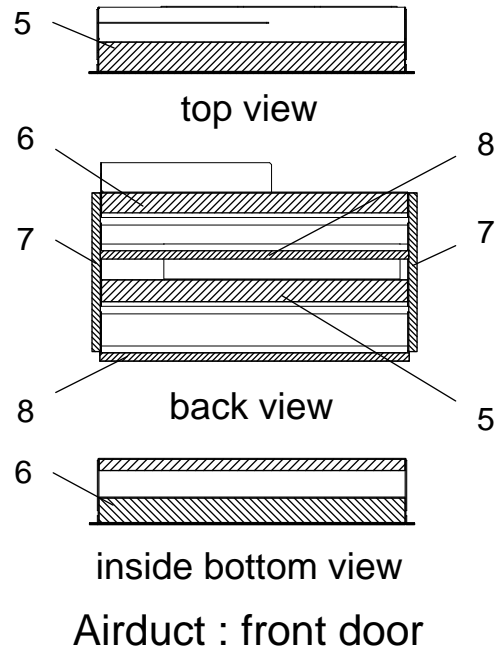
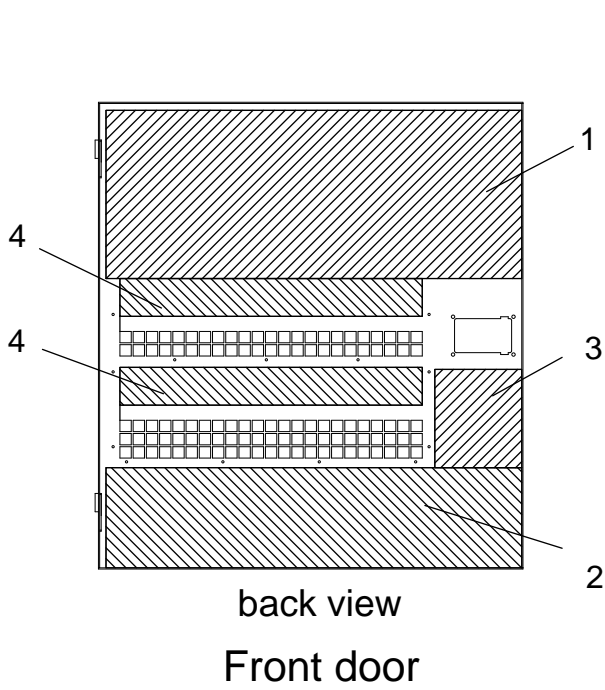
back view

Front door

## ENCLOSURE FRAME - REAR AND FRONT DOOR, SEALS AND INSULATION

NO.	PART NUMBER	QTY.	DESCRIPTION	
1	V900000090	1	INSULATION,T30X120X200 REAR DOOR	
2	V900000100	1	INSULATION,T30X170X355 REAR DOOR	
3	V900000110	1	INSULATION,T40X200X680 REAR DOOR	
4	V900000120	1	INSULATION,T40X165X205 REAR DOOR	
5	V900000060	1	INSULATION,T40X205X520 REAR DOOR	
6	V900000070	1	INSULATION,T40X205X325 REAR DOOR	
7	V900000080	2	INSULATION,T30X170X555 REAR DOOR	
8	V900000130	1	INSULATION,T40X305X435 REAR DOOR AIR DUCT	
9	V900000140	1	INSULATION,T40X105X165 REAR DOOR AIR DUCT	
10	V900000150	1	INSULATION,T40X85X215 REAR DOOR AIR DUCT	
11	V900000160	1	INSULATION,T50X105X215 REAR DOOR AIR DUCT	
12	V543000070	2	SEAL,T3X22X915 REAR DOOR AIR DUCT	
13	V543000080	3	SEAL,T3X22X575 REAR DOOR AIR DUCT	
14	V900000340	1	INSULATION,T40X205X355 FRONT DOOR	
15	V900000350	1	INSULATION,T40X205X470 FRONT DOOR	
16	V900000360	1	INSULATION,T40X160X1000 FRONT DOOR	

ENCLOSURE FRAME - DOOR AIR DUCT, SEALS AND INSULATION

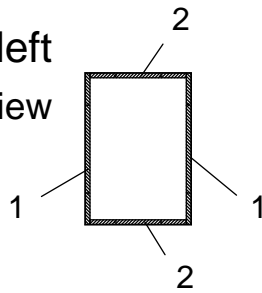


## ENCLOSURE FRAME - DOOR AIR DUCT, SEALS AND INSULATION

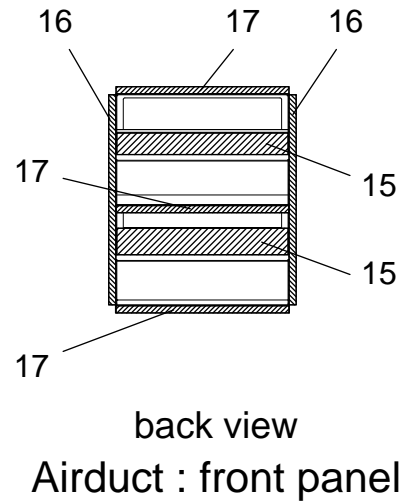
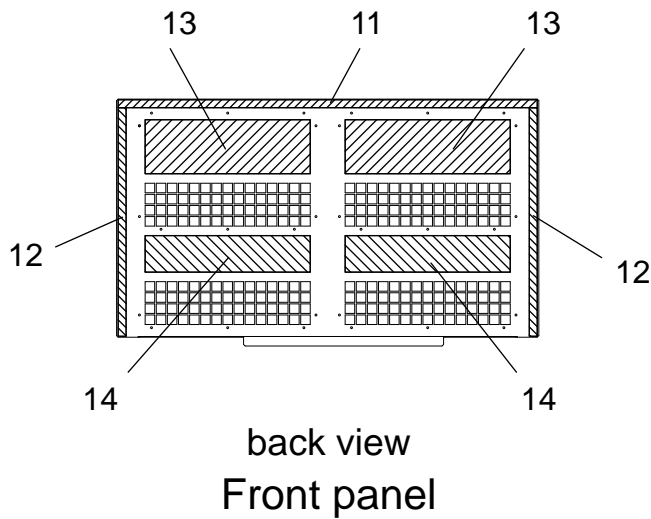
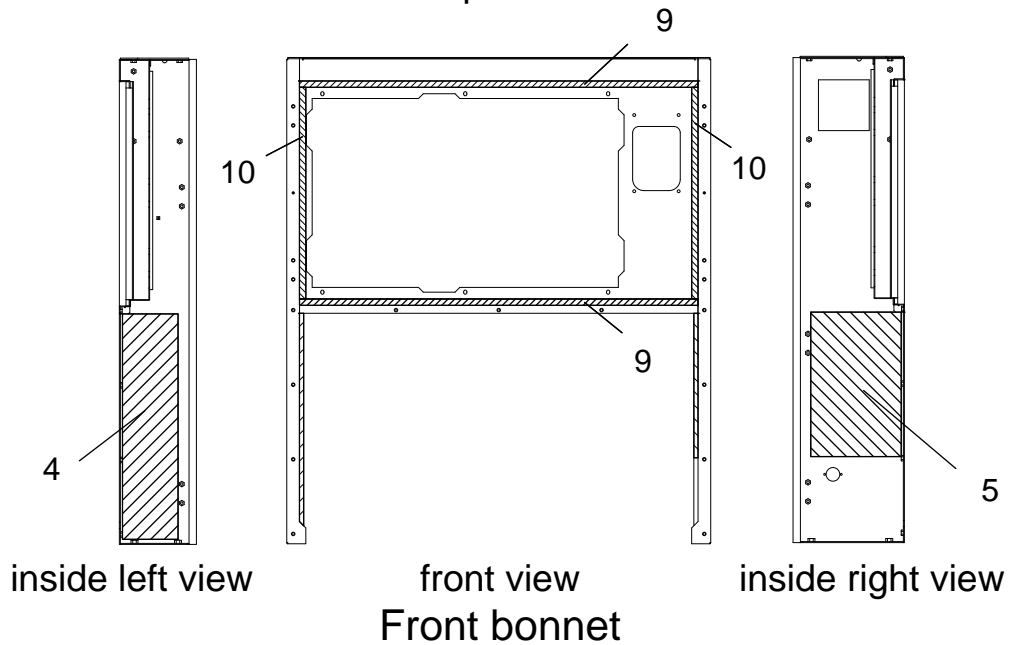
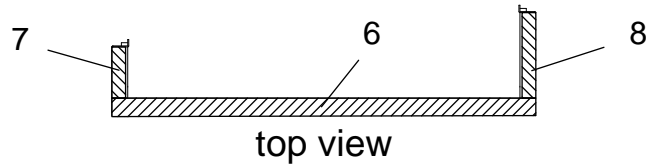
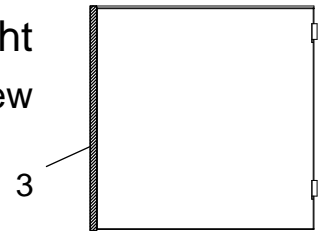
NO.	PART NUMBER	QTY.	DESCRIPTION
1	V900000170	1	INSULATION,T40X445X1100 FRONT DOOR
2	V900000180	1	INSULATION,T30X265X1100 FRONT DOOR
3	V900000190	1	INSULATION,T40X230X260 FRONT DOOR
4	V900000200	2	INSULATION,T30X100X800 FRONT DOOR
5	V900000210	2	INSULATION,T30X85X810 FRONT DOOR AIR DUCT
6	V900000220	2	INSULATION,T30X65X810 FRONT DOOR AIR DUCT
7	V543000090	2	SEAL,T3X22X420 FRONT DOOR AIR DUCT
8	V543000100	2	SEAL,T3X22X815 FRONT DOOR AIR DUCT
9	V900000230	1	INSULATION,T40X335X810 REAR DOOR
10	V900000240	1	INSULATION,T40X400X885 REAR DOOR
11	V900000250	1	INSULATION,T30X130X275 REAR DOOR
12	V900000260	1	INSULATION,T30X305X450 REAR DOOR
13	V900000270	1	INSULATION,T30X80X460 REAR DOOR AIR DUCT
14	V900000280	1	INSULATION,T50X100X460 REAR DOOR AIR DUCT
15	V543000110	1	SEAL,T3X22X470 REAR DOOR AIR DUCT
16	V543000120	2	SEAL,T3X22X340 REAR PANEL BOTTOM AIR DUCT
17	V900000290	1	INSULATION,T30X125X135 REAR DOOR AIR DUCT
18	V900000300	1	INSULATION,T30X155X210 REAR DOOR AIR DUCT
19	V900000310	1	INSULATION,T30X135X160 REAR DOOR AIR DUCT
20	V900000320	1	INSULATION,T30X135X135 REAR DOOR AIR DUCT
21	V900000330	1	INSULATION,T30X55X285 REAR DOOR AIR DUCT
22	V543000130	1	SEAL,T3X22X295 REAR DOOR AIR DUCT
23	V543000140	2	SEAL,T3X22X275 REAR DOOR AIR DUCT

FRONT ENCLOSURE INSULATION AND SEALS

Panel : front door left  
front view



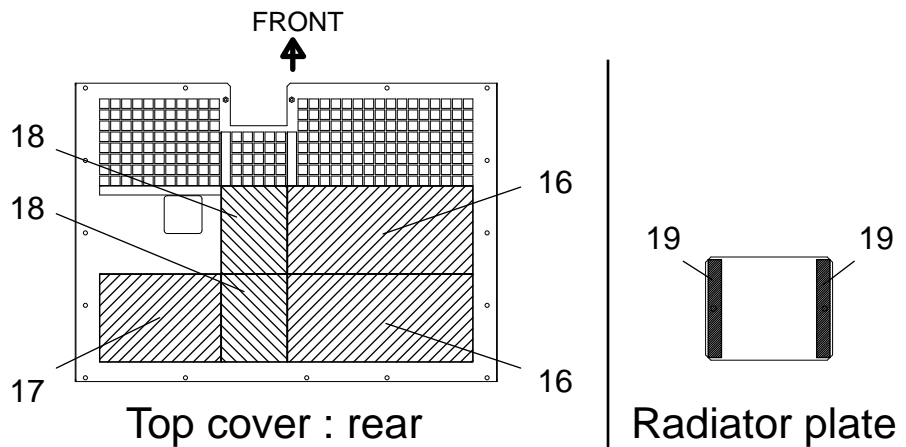
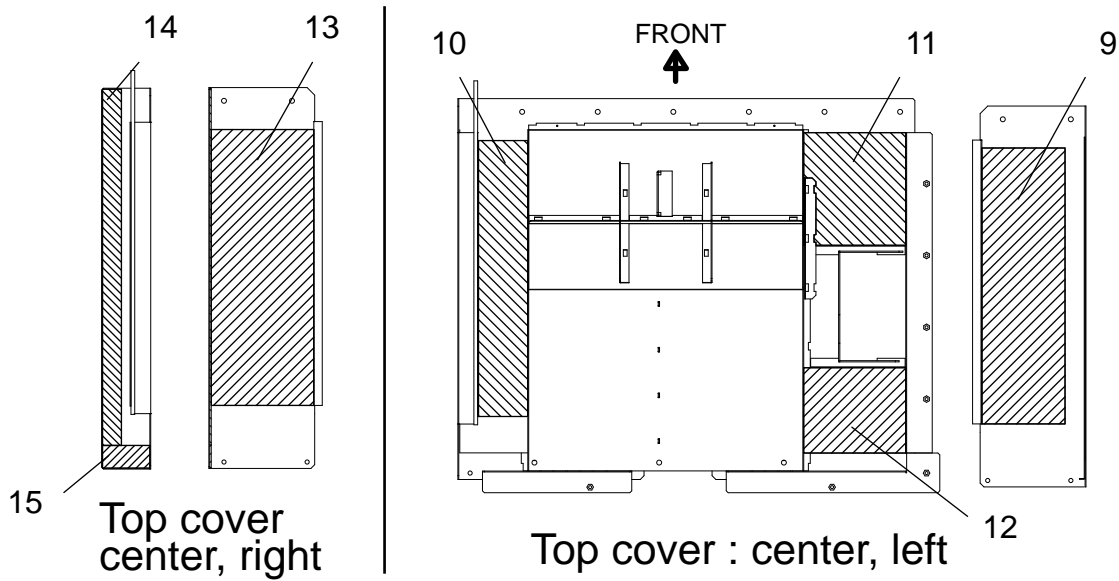
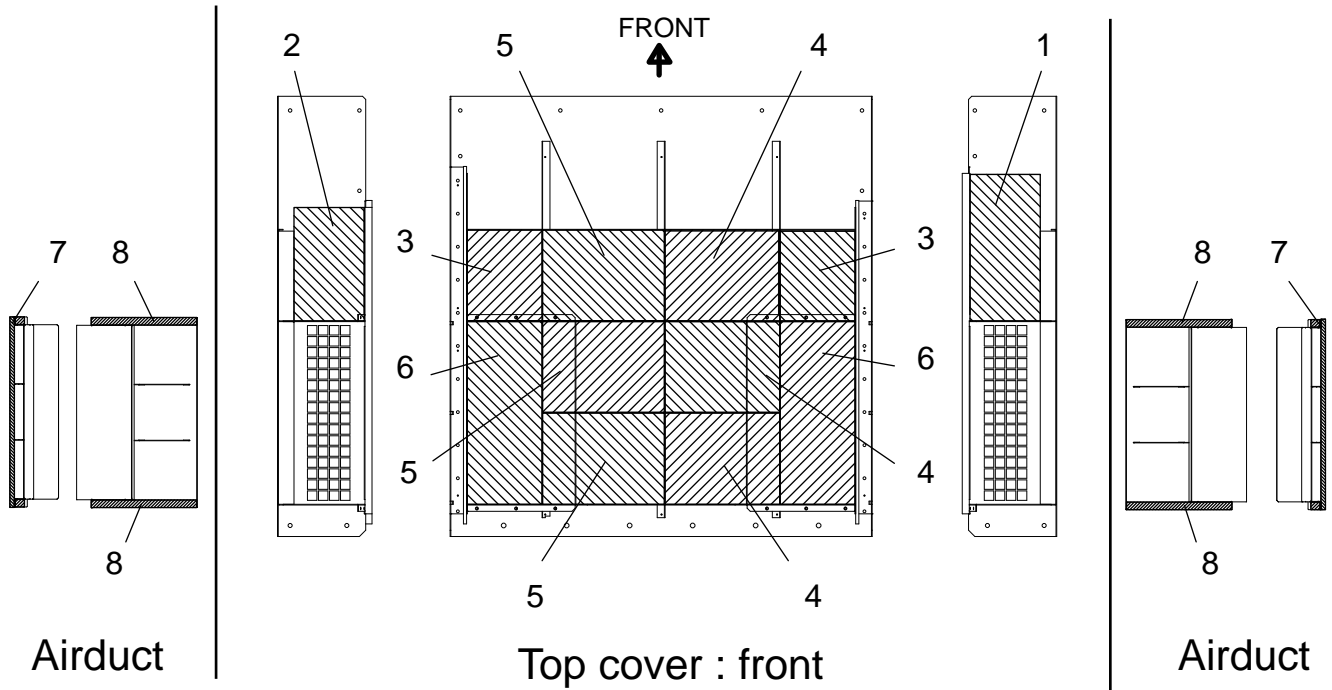
Front door : right  
front view



## FRONT ENCLOSURE INSULATION AND SEALS

NO.	PART NUMBER	QTY.	DESCRIPTION
1	V543000440	2	LEFT FRONT DOOR PANEL SEAL,T1.5X15X496
2	V541000930	2	LEFT FRONT DOOR PANEL SEAL,T1.5X15X318
3	J414002620	1	RIGHT FRONT DOOR BONNET SEAL,T10X20X695
4	V900000370	1	FRONT BONNET INSULATION,T50X175X710
5	V900000380	1	FRONT BONNET INSULATION,T50X285X455
6	V542000730	1	FRONT BONNET SEAL,T4X55X1330
7	V543000390	1	FRONT BONNET SEAL,T4X40X160
8	V543000400	1	FRONT BONNET SEAL,T4X40X270,
9	J414002590	2	FRONT BONNET SEAL,T10X20X1255
10	J414002600	2	FRONT BONNET SEAL,T20X20X665
11	V542000740	1	FRONT PANEL SEAL,T3X25X1320
12	V542000750	2	FRONT PANEL INSULATION,T3X25X720
13	V900000390	2	FRONT PANEL INSULATION,T30X170X520
14	V900000400	2	FRONT PANEL INSULATION,T30X115X520
15	V900000410	4	FRONT PANEL AIR DUCT INSULATION,T30X90X530
16	V542000760	4	FRONT PANEL AIR DUCT SEAL,T3X22X650
17	V542000770	6	FRONT PANEL AIR DUCT SEAL,T3X22X535

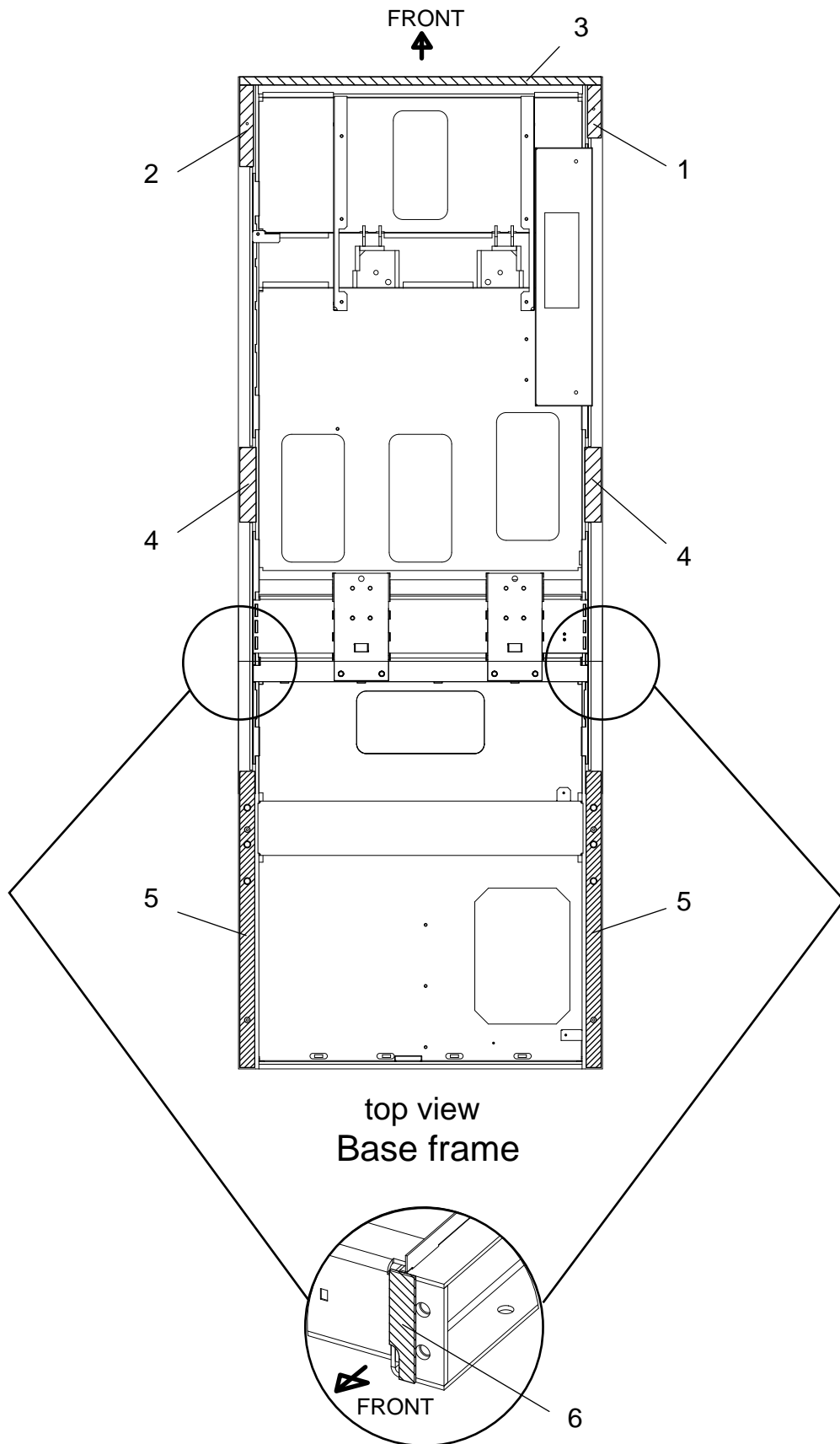
TOP ENCLOSURE INSULATION AND SEALS



## TOP ENCLOSURE INSULATION AND SEALS

NO.	PART NUMBER	QTY.	DESCRIPTION
1	V900000450	1	FRONT INSULATION,T50X220X465
2	V900000460	1	FRONT INSULATION,T50X220X360
3	V900000470	2	FRONT INSULATION,T50X285X285
4	V900000480	3	FRONT INSULATION,T50X285X360
5	V900000490	3	FRONT INSULATION,T50X285X385
6	V900000500	2	FRONT INSULATION,T50X285X580
7	V543000360	2	FRONT AIR DUCT SEAL,T3X15X630
8	V543000370	4	FRONT AIR DUCT SEAL,T3X25X350
9	V900000510	1	CENTER-LEFT INSULATION,T50X220X730
10	V900000520	1	CENTER-LEFT INSULATION,T50X180X730
11	V900000530	1	CENTER-LEFT INSULATION,T50X270X300
12	V900000540	1	CENTER-LEFT INSULATION,T50X225X270
13	V900000550	1	CENTER-LEFT INSULATION,T50X275X730
14	V543000410	1	CENTER-RIGHT SEAL,T4X50X940
15	V543000380	1	CENTER-RIGHT SEAL,T4X60X125
16	V900000560	2	REAR INSULATION,T50X275X585
17	V900000570	1	REAR INSULATION,T50X275X385
18	V900000580	2	REAR INSULATION,T50X205X275
19	V543000420	2	RADIATOR PLATE SEAL,T1.5X25X185

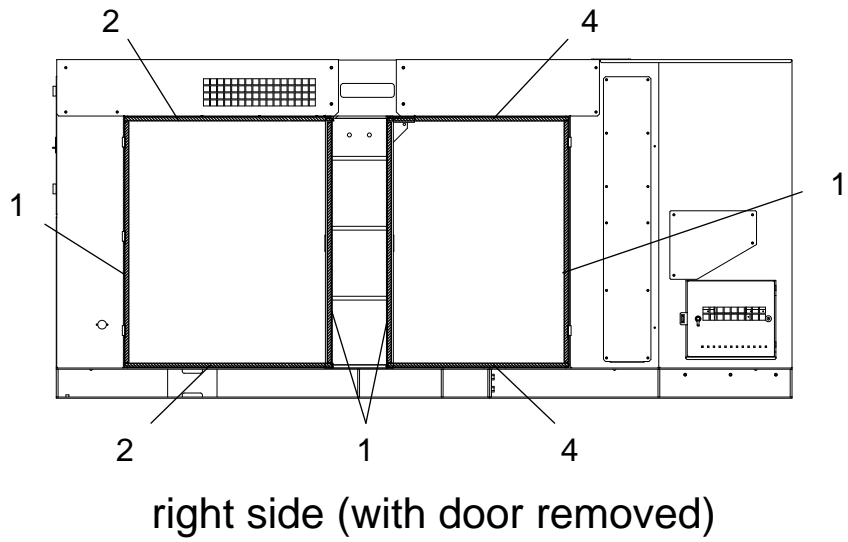
BASE FRAME SEALS



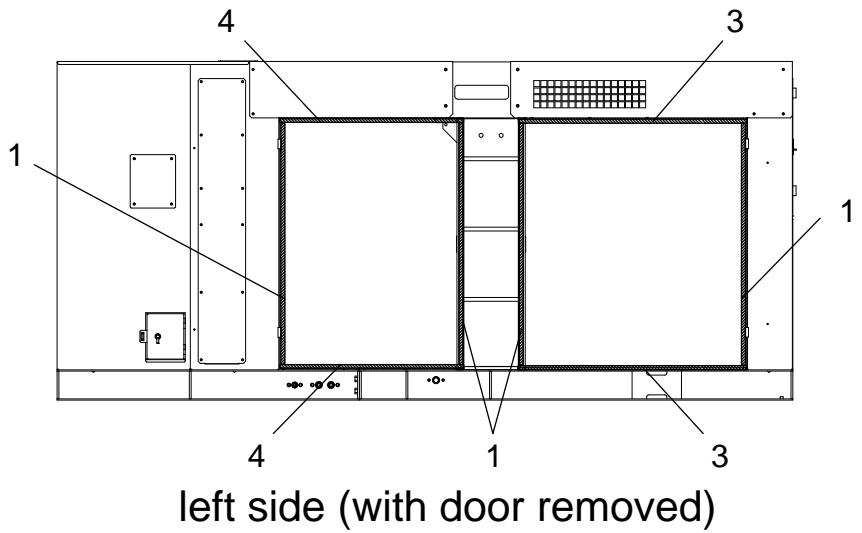
## BASE FRAME SEALS

NO.	PART NUMBER	QTY.	DESCRIPTION	
1	V542000670	1	FRONT SEAL	
2	V542000680	1	FRONT SEAL	
3	V542000690	1	FRONT SEAL	
4	V542000700	2	FRONT SEAL	
5	V542000710	2	FRONT SEAL	
6	V543000000	2	FRONT SEAL	

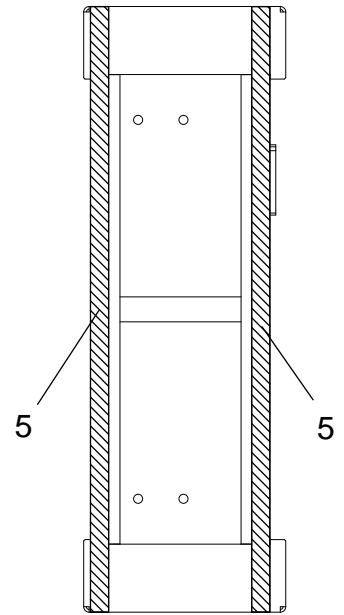
CENTER FRAME INSULATION AND SEALS



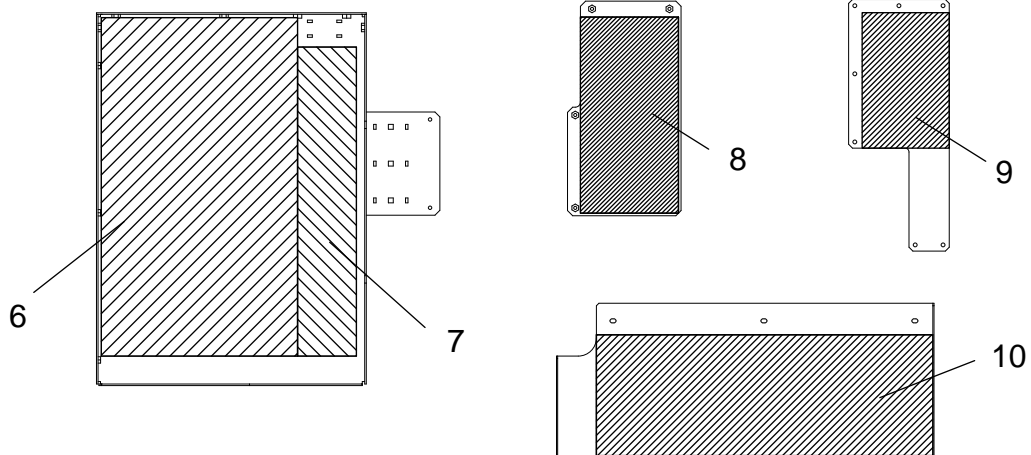
right side (with door removed)



left side (with door removed)



top view  
Center frame



Alternator cover

## CENTER FRAME INSULATION AND SEALS

NO.	PART NUMBER	QTY.	DESCRIPTION
1	J414002280	8	SEAL,T10X20X1205 CENTER ENCLOSURE FRAME
2	J414002570	2	FRONT-RIGHT BONNET SEAL,T10X20X1025
3	J414002460	2	SEAL,T10X20X1135 RIGHT SIDE DOOR FRAME
4	J414002580	4	REAR BONNET SEAL,T10X20X910
5	V542000720	2	CENTER FRAME SEAL,T4X40X1335
6	V900000590	1	ALTERNATOR COVER INSULATION,T50X400X690
7	V900000600	1	ALTERNATOR COVER INSULATION,T50X120X630
8	V900000420	1	ALTERNATOR COVER INSULATION,T50X190X380
9	V900000430	1	ALTERNATOR COVER INSULATION,T50X225X350
10	V900000440	1	ALTERNATOR COVER INSULATION,T50X240X665