



Accessories for ECHO products can be found at:

Los accesorios para los productos ECHO se pueden encontrar en:

www.echo-usa.com/products/catalogs

OPTIONAL ACCESSORIES & ATTACHMENTS:

Extension -- 3 Foot 99946400010

GUIDE BARS

Guide Bar - 10" (.050" Ga) 10A0CD3739

Guide Bar - 10" (.043" Ga) 10A4CD3739

Guide Bar - 12" (.050" Ga) 12A0CD3744

Guide Bar - 12" (.043" Ga) 12A4CD3744

SAWING CHAINS

Sawing Chain - 10" (.043" Ga) 90S39CQ

Sawing Chain - 12" (.043" Ga) 90S44CQ

Sawing Chain - 10" (.050" Ga) 91VX39CQ

Sawing Chain - 12" (.050" Ga) 91VX44CQ

ACCESORIOS & ACCESORIOS OPCIONALES:

Extensión de -- 3 pies 99946400010

BARRAS GUÍA

Barra Guía - 10" (calibre de .050") 10A0CD3739

Barra Guía - 10" (calibre de .043") 10A4CD3739

Barra Guía - 12" (calibre de .050") 12A0CD3744

Barra Guía - 12" (calibre de .043") 12A4CD3744

CADENAS DE SIERRA

Cadena de Sierra - 10" (calibre de .043") 90S39CQ

Cadena de Sierra - 12" (calibre de .043") 90S44CQ

Cadena de Sierra - 10" (calibre de .050") 91VX39CQ

Cadena de Sierra - 12" (calibre de .050") 91VX44CQ

ECHO, INCORPORATED

400 Oakwood Road, Lake Zurich, Illinois 60047

WWW.ECHO-USA.COM

©2014 ECHO, Incorporated. All Rights Reserved

PARTS CATALOG
LISTA DE PIEZAS

PPF-280
Power Pruner
PPF-280 Podadora Motorizada



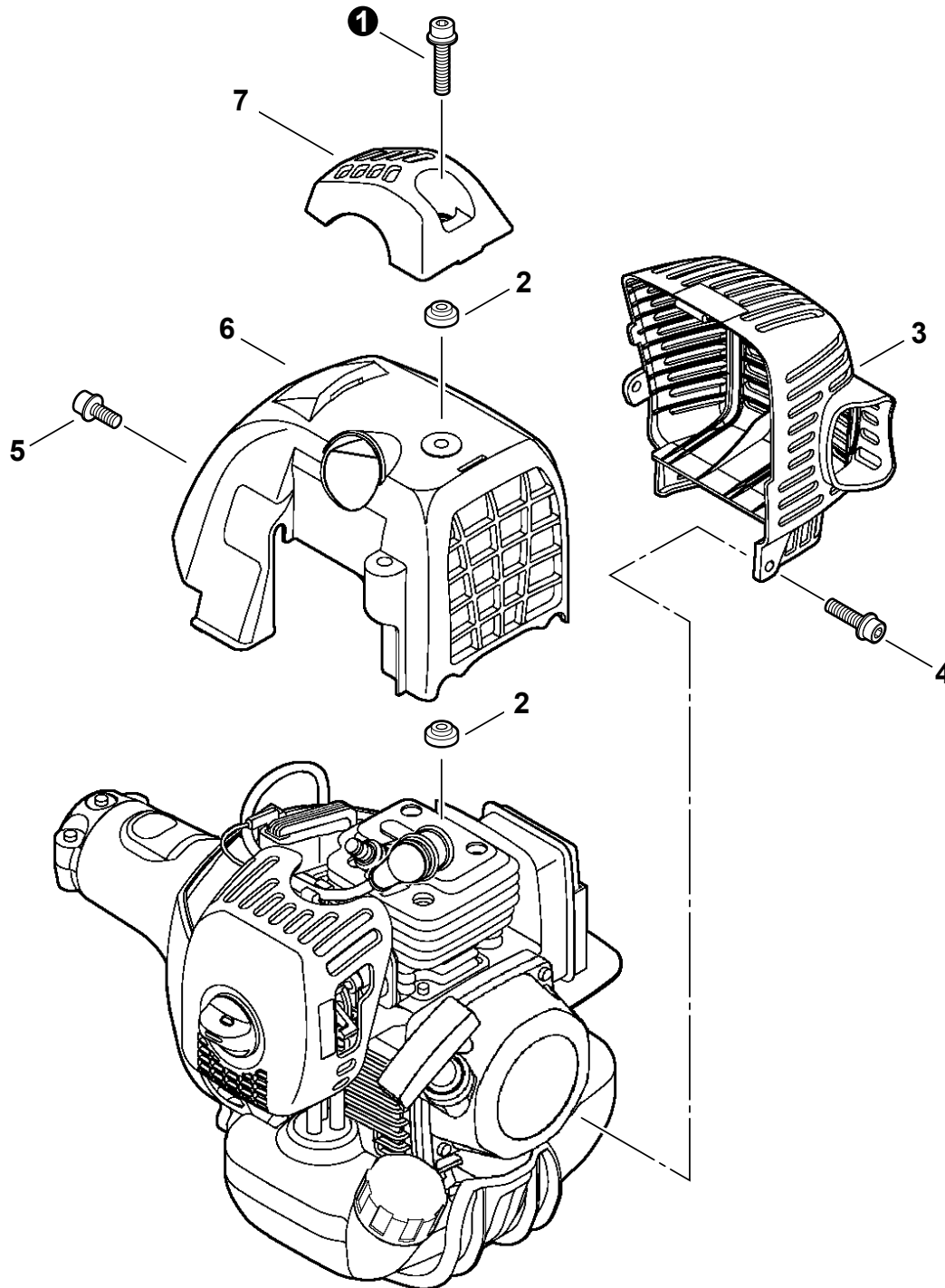
28.1 cc

SERIAL NUMBER
NÚMERO DE SERIE

E09511001001 - E09511999999

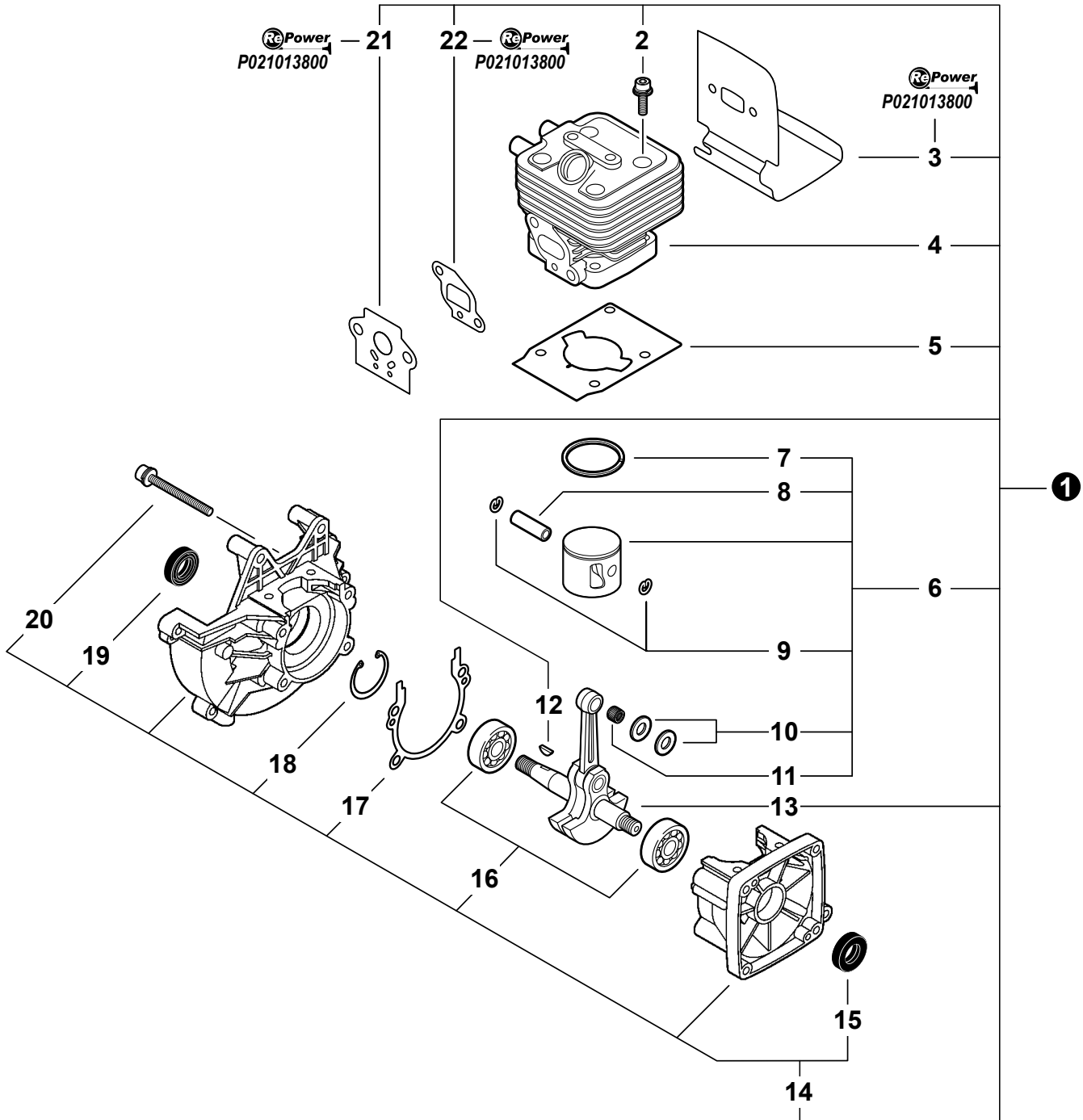
P/N 99922200708
REVISED 06/30/14

| | | | |
|------------------------------------|-----------|---------------------------------------|-----------|
| Engine Covers | 3 | Main Pipe Assembly | 22 |
| Cubiertas del Motor | | Conjunto del Tubo Principale | |
| Engine | 4 | Main Pipe Assembly | 23 |
| Motor | | Conjunto del Tubo Principale | |
| Engine | 5 | Gear Case | 24 |
| Motor | | Caja de Engranajes | |
| Engine | 6 | Gear Case | 25 |
| Motor | | Caja de Engranajes | |
| Engine | 7 | Auto-Oiler | 26 |
| Motor | | Auto-Lubricador | |
| Carburetor - WYK-233A | 8 | Auto-Oiler | 27 |
| Carburador - WYK-233A | | Auto-Lubricador | |
| Carburetor - WYK-233A | 9 | Shoulder Strap | 28 |
| Carburador - WYK-233A | | Correa para el Hombro | |
| Intake | 10 | Guide Bar, Sawing Chain, | |
| Admisión | | Guide Bar Cover | 29 |
| Intake | 11 | Barra Guía, Cadena de Sierra, Funda | |
| Admisión | | Labels | 30 |
| Exhaust | 12 | Etiquetas | |
| Escape | | Tools | 31 |
| Starter | 13 | Herramientas | |
| Arrancador | | RePower Maintenance Kits | 32 |
| Ignition | 14 | Kits de Mantenimiento RePower | |
| Encendido | | RePower Maintenance Kits | 33 |
| Fuel System | 15 | Kits de Mantenimiento RePower | |
| Sistema de combustible | | | |
| Fuel System | 16 | | |
| Sistema de combustible | | | |
| Fuel System | 17 | | |
| Sistema de combustible | | | |
| Fan Case | 18 | | |
| Carcasa del Ventilador | | | |
| Fan Case | 19 | | |
| Carcasa del Ventilador | | | |
| Throttle Control | 20 | | |
| Control del Acelerador | | | |
| Throttle Control | 21 | | |
| Control del Acelerador | | | |



| NO. | PART NUMBER | QTY. | DESCRIPTION | DESCRIPCIÓN |
|-----|-------------|------|----------------|---------------------|
| 1 | V203000270 | 1 | SCREW - 5×20 | TORNILLO - 5×20 |
| 2 | V353000020 | 2 | COLLAR - 5 | ESPACIADOR - 5 |
| 3 | A320000400 | 1 | COVER, EXHAUST | CUBIERTA, ESCAPE |
| 4 | V203000260 | 1 | SCREW - 5×16 | TORNILLO - 5×16 |
| 5 | 90010605010 | 1 | SCREW - 5×10 | TORNILLO - 5×10 |
| 6 | A160000800 | 1 | COVER, ENGINE | CUBIERTA, MOTOR |
| 7 | A162000110 | 1 | GUARD, TOP | PROTECTOR, SUPERIOR |

S/N: E09511001001 - E09511001640



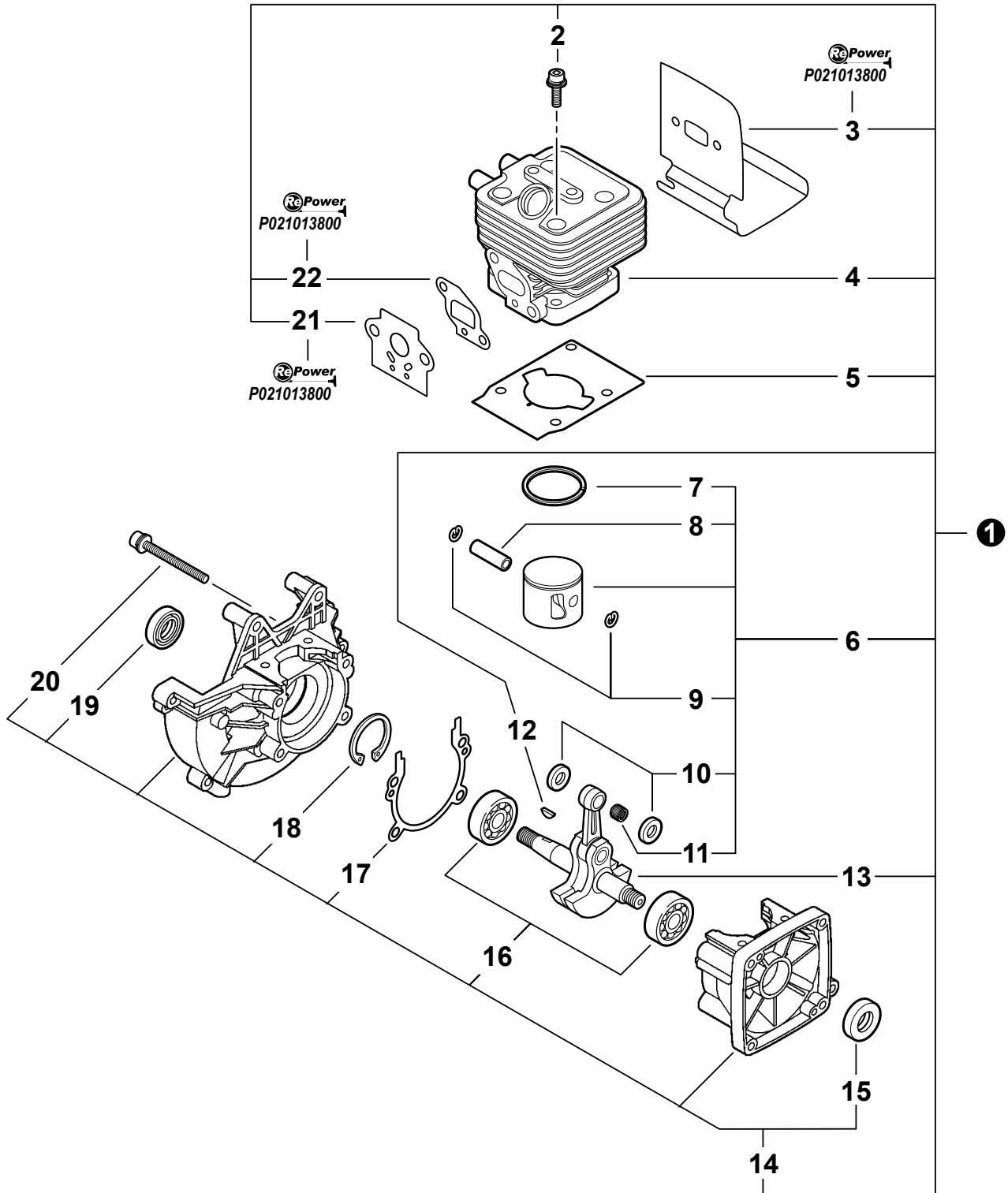
S/N: E09511001001 - E09511001640

| NO. | PART NUMBER | QTY. | DESCRIPTION | DESCRIPCIÓN |
|-----|-------------|------|---------------------------------|-----------------------------------|
| 1 | SB1091 | 1 | SHORT BLOCK -- SB1091 | BLOQUE CORTO -- SB1091 |
| 2 | 9112805025 | 4 | +SCREW - 5×25 | +TORNILLO - 5×25 |
| 3 | V104000810 | 1 | +SHIELD, EXHAUST ⁽¹⁾ | +PROTECTOR, ESCAPE ⁽¹⁾ |
| 4 | A130000800 | 1 | +CYLINDER | +CILINDRO |
| 5 | V100000201 | 1 | +GASKET, CYLINDER | +JUNTA, CILINDRO |
| 6 | P021010730 | 1 | +PISTON KIT | +KIT DE PISTÓN |
| 7 | A101000170 | 1 | ++RING, PISTON | ++ANILLO, PISTÓN |
| 8 | 10001335430 | 1 | ++PIN, PISTON | ++PASADOR, PISTÓN |
| 9 | 10001503931 | 2 | ++RING, RETAINING | ++ANILLO, RETÉN |
| 10 | V306000200 | 2 | ++SPACER, PISTON | ++ESPACIADOR, PISTÓN |
| 11 | 10001216131 | 1 | ++BEARING, NEEDLE | ++COJINETE, DE AGUJAS |
| 12 | 10014212330 | 1 | +KEY, WOODRUFF | +CHAVETA, WOODRUFF |
| 13 | A011000470 | 1 | +CRANKSHAFT ASY | +CONJUNTO DE CIGÜEÑAL |
| 14 | P021010741 | 1 | +CRANKCASE KIT | +KIT DE CÁRTER |
| 15 | V505000020 | 1 | ++SEAL, OIL - 12 | ++SELLO, ACEITE - 12 |
| 16 | 9403536201 | 2 | ++BEARING, BALL - 6201 | ++COJINETE DE BOLAS |
| 17 | V102000030 | 1 | ++GASKET, CRANKCASE | ++JUNTA, CÁRTER |
| 18 | 90070200032 | 1 | ++RING, RETAINING - 32 | ++ANILLO, RETÉN - 32 |
| 19 | 10021203930 | 1 | ++SEAL, OIL | ++SELLO, ACEITE |
| 20 | 9112805028 | 4 | ++SCREW - 5×28 | ++TORNILLO - 5×28 |
| 21 | V103000160 | 1 | +GASKET, INTAKE ⁽¹⁾ | +JUNTA, ADMISIÓN ⁽¹⁾ |
| 22 | V103000380 | 1 | +GASKET, INTAKE ⁽¹⁾ | +JUNTA, ADMISIÓN ⁽¹⁾ |

(FOOTNOTE) 1 - See RePower Maintenance Page

(NOTA DEL PIE) 1 - Vea RePower de mantenimiento página

S/N: E09511001641 - E09511999999

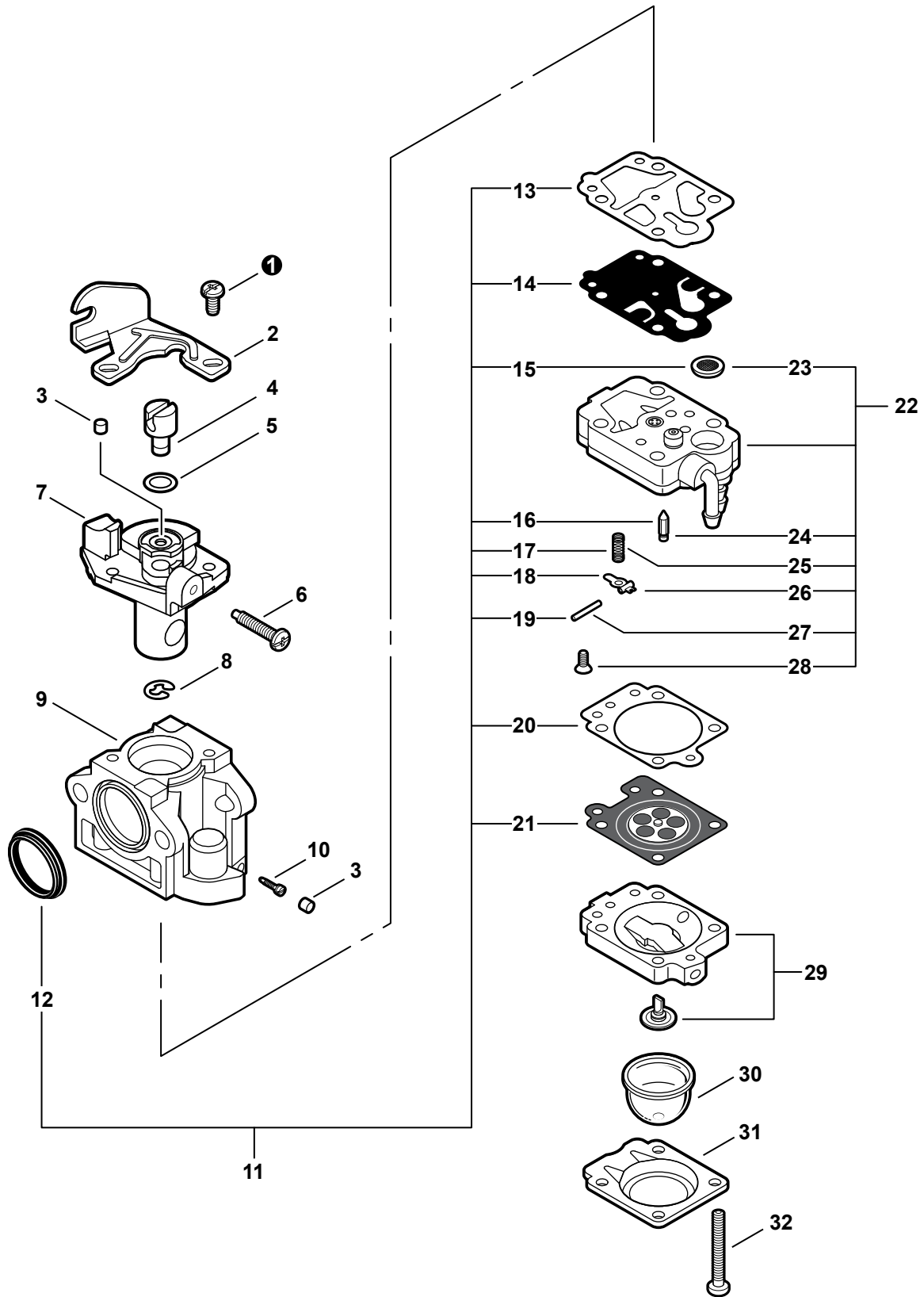


S/N: E09511001641 - E0951199999

| NO. | PART NUMBER | QTY. | DESCRIPTION | DESCRIPCIÓN |
|-----|-------------|------|---------------------------------|-----------------------------------|
| 1 | SB1091 | 1 | SHORT BLOCK -- SB1091 | BLOQUE CORTO -- SB1091 |
| 2 | 9112805025 | 4 | +SCREW - 5×25 | +TORNILLO - 5×25 |
| 3 | V104000810 | 1 | +SHIELD, EXHAUST ⁽¹⁾ | +PROTECTOR, ESCAPE ⁽¹⁾ |
| 4 | A130000800 | 1 | +CYLINDER | +CILINDRO |
| 5 | V100000201 | 1 | +GASKET, CYLINDER | +JUNTA, CILINDRO |
| 6 | P021047610 | 1 | +PISTON KIT | +KIT DE PISTÓN |
| 7 | A101000170 | 1 | ++RING, PISTON | ++ANILLO, PISTÓN |
| 8 | 10001335430 | 1 | ++PIN, PISTON | ++PASADOR, PISTÓN |
| 9 | 10001503931 | 2 | ++RING, RETAINING | ++ANILLO, RETÉN |
| 10 | V306000520 | 2 | ++SPACER, PISTON | ++ESPACIADOR, PISTÓN |
| 11 | 10001216131 | 1 | ++BEARING, NEEDLE | ++COJINETE, DE AGUJAS |
| 12 | 10014212330 | 1 | +KEY, WOODRUFF | +CHAVETA, WOODRUFF |
| 13 | A011001370 | 1 | +CRANKSHAFT ASY | +CONJUNTO DE CIGÜEÑAL |
| 14 | P021010741 | 1 | +CRANKCASE KIT | +KIT DE CÁRTER |
| 15 | V505000020 | 1 | ++SEAL, OIL - 12 | ++SELLO, ACEITE - 12 |
| 16 | 9403536201 | 2 | ++BEARING, BALL - 6201 | ++COJINETE DE BOLAS |
| 17 | V102000030 | 1 | ++GASKET, CRANKCASE | ++JUNTA, CÁRTER |
| 18 | 90070200032 | 1 | ++RING, RETAINING - 32 | ++ANILLO, RETÉN - 32 |
| 19 | 10021203930 | 1 | ++SEAL, OIL | ++SELLO, ACEITE |
| 20 | 9112805028 | 4 | ++SCREW - 5×28 | ++TORNILLO - 5×28 |
| 21 | V103000160 | 1 | +GASKET, INTAKE ⁽¹⁾ | +JUNTA, ADMISIÓN ⁽¹⁾ |
| 22 | V103000380 | 1 | +GASKET, INTAKE ⁽¹⁾ | +JUNTA, ADMISIÓN ⁽¹⁾ |

(FOOTNOTE) 1 - See RePower Maintenance Page

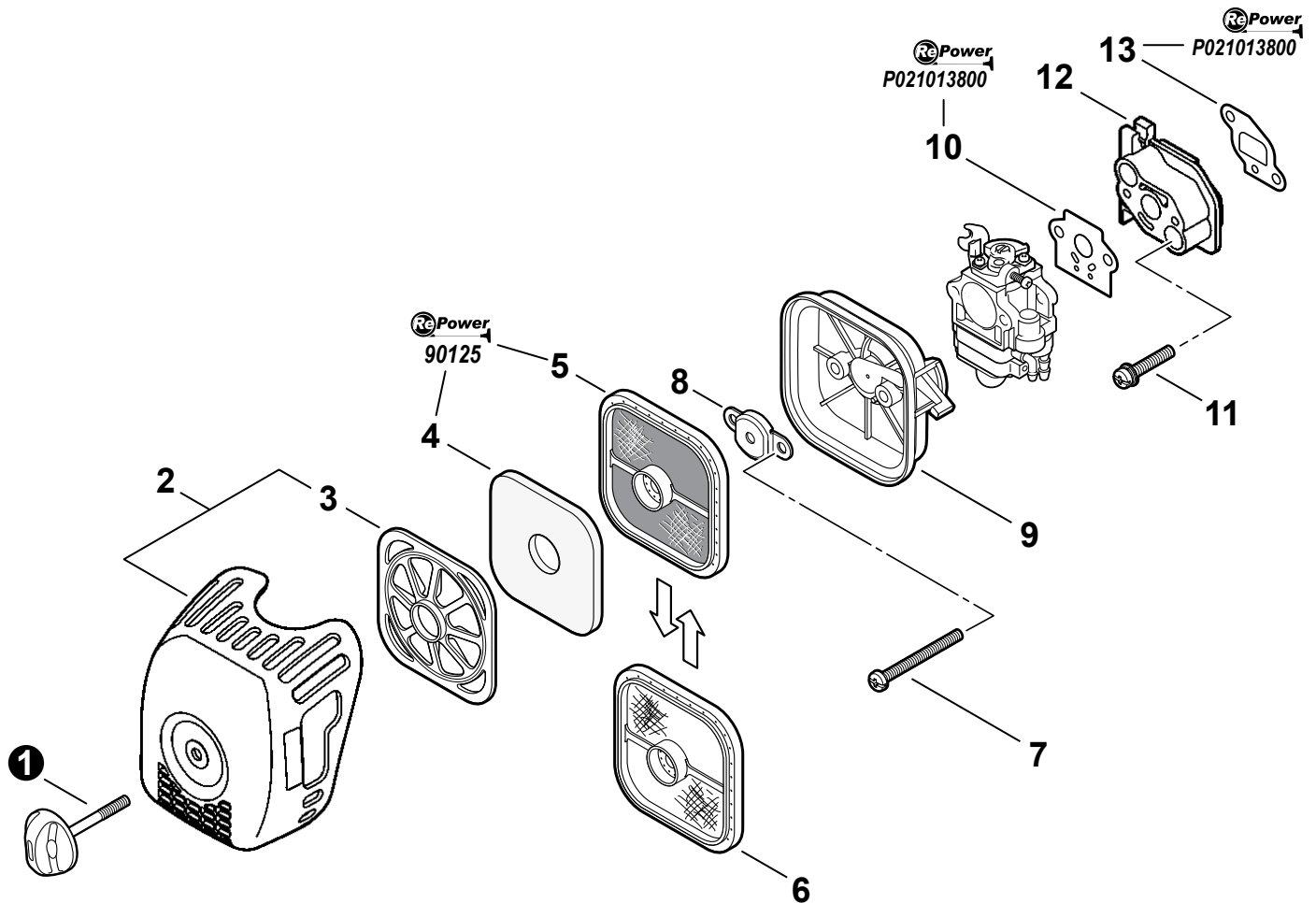
(NOTA DEL PIE) 1 - Vea RePower de mantenimiento página





| NO. | PART NUMBER | QTY. | DESCRIPTION | DESCRIPCIÓN |
|-----------|-------------------|----------|-------------------------------|-------------------------------------|
| | A021001340 | 1 | CARBURETOR -- WYK-233A | CARBURADOR -- WYK-233A |
| 1 | 12311440630 | 2 | +SCREW | +TORNILLO |
| 2 | P003000180 | 1 | +BRACKET, CABLE | +SOPORTE, CABLE |
| 3 | A259000000 | 2 | +CAP, LIMITER | +TAPA, LIMITADOR |
| 4 | 12317245130 | 1 | +SWIVEL | +PIVOTE |
| 5 | 12314954230 | 1 | +WASHER | +ARANDELA |
| 6 | 12313440030 | 1 | +SCREW, IDLE ADJUST | +TORNILLO, AJUSTE DE RALENTÍ |
| 7 | N/A | 1 | +THROTTLE VALVE ASY | +CONJUNTO DE VÁLVULA DEL ACELERADOR |
| 8 | 12317307930 | 1 | +RING, RETAINING | +ANILLO, RETÉN |
| 9 | N/A | 1 | +BODY, CARBURETOR | +CUERPO, CARBURADOR |
| 10 | P003001130 | 1 | +NEEDLE - HIGH SPEED | +AGUJA - ALTA VELOCIDAD |
| 11 | P003001120 | 1 | +REPAIR KIT | +KIT DE REPARACIÓN |
| 12 | ----- | 1 | ++RING, PACKING | ++ANILLO, JUNTA |
| 13 | ----- | 1 | ++GASKET, PUMP | ++JUNTA, BOMBA |
| 14 | ----- | 1 | ++DIAPHRAGM, PUMP | ++DIAFRAGMA, BOMBA |
| 15 | ----- | 1 | ++STRAINER | ++TAMIZ |
| 16 | ----- | 1 | ++VALVE, INLET NEEDLE | ++VÁLVULA DE AGUJA, ADMISIÓN |
| 17 | ----- | 1 | ++SPRING, METERING LEVER | ++RESORTE, PALANCA DE DOSIFICACIÓN |
| 18 | ----- | 1 | ++LEVER, METERING | ++PALANCA, DOSIFICACIÓN |
| 19 | ----- | 1 | ++PIN, METERING LEVER | ++PASADOR, PALANCA DE DOSIFICACIÓN |
| 20 | ----- | 1 | ++GASKET, DIAPHRAGM | ++JUNTA, DIAFRAGMA |
| 21 | ----- | 1 | ++DIAPHRAGM, METERING | ++DIAFRAGMA, DOSIFICACIÓN |
| 22 | P003000440 | 1 | +PUMP BODY ASY | +CONJUNTO DE CUERPO DE BOMBA |
| 23 | ----- | 1 | ++STRAINER | ++TAMIZ |
| 24 | ----- | 1 | ++VALVE, INLET NEEDLE | ++VÁLVULA DE AGUJA, ADMISIÓN |
| 25 | ----- | 1 | ++SPRING, METERING LEVER | ++RESORTE, PALANCA DE DOSIFICACIÓN |
| 26 | ----- | 1 | ++LEVER, METERING | ++PALANCA, DOSIFICACIÓN |
| 27 | ----- | 1 | ++PIN, METERING LEVER | ++PASADOR, PALANCA DE DOSIFICACIÓN |
| 28 | 12313905560 | 1 | ++SCREW, METERING LEVER PIN | ++TORNILLO, PASADOR DE RETÉN |
| 29 | 12318005560 | 1 | +PURGE BASE ASY | +CONJUNTO DE CUERPO DE BOMBA |
| 30 | 12318140630 | 1 | +BULB, PURGE | +BULBO, PURGA |
| 31 | 12314205560 | 1 | +RETAINER, PURGE BULB | +RETÉN, BULBO DE LA PURGA |
| 32 | 12311005560 | 4 | +SCREW, PUMP COVER | +TORNILLO, CUBIERTA DE LA BOMBA |

S/N: E09511001001 - E09511001640



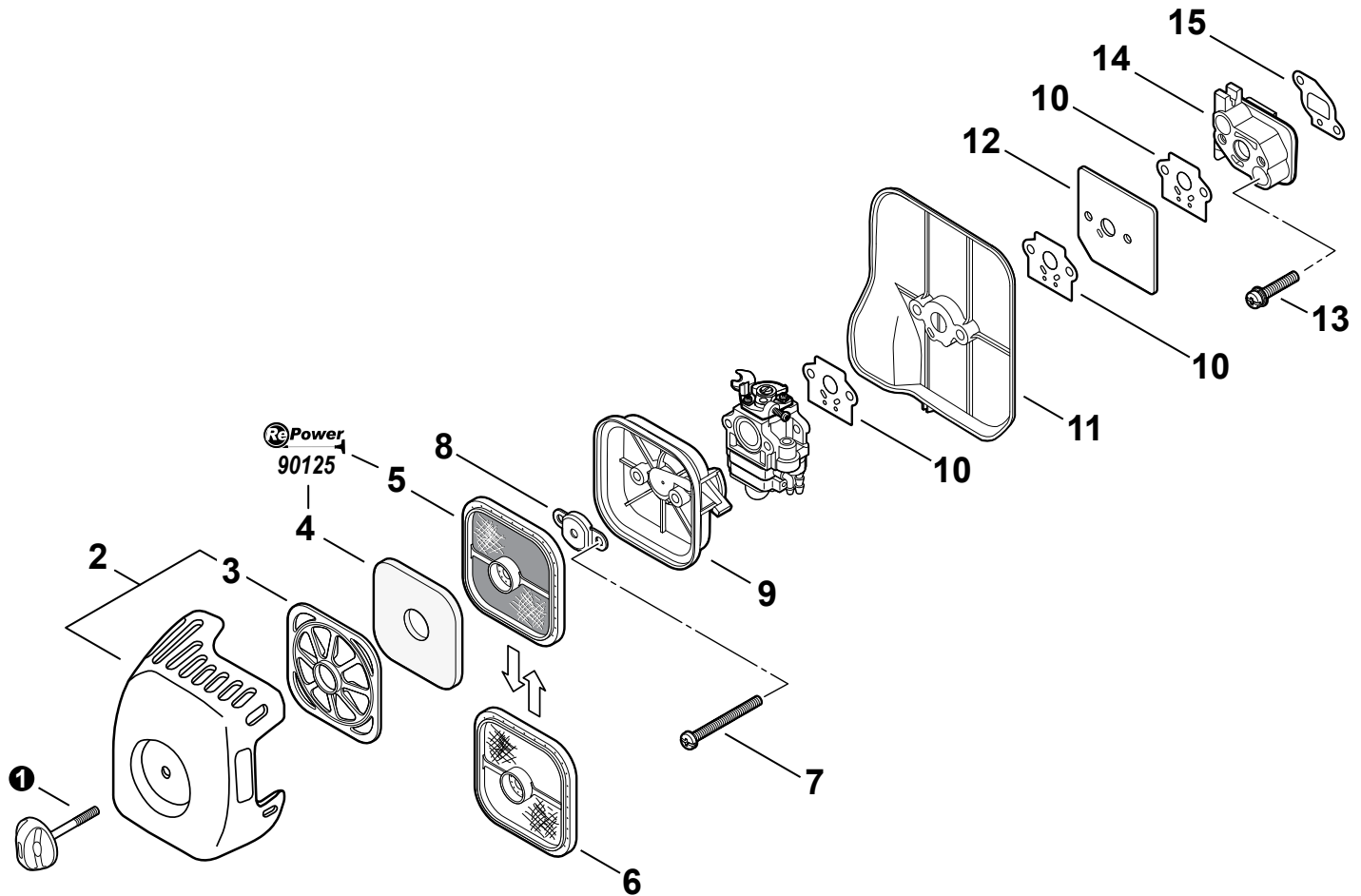
| NO. | PART NUMBER | QTY. | DESCRIPTION | DESCRIPCIÓN |
|-----|-------------------|------|---|---|
| 1 | V299000250 | 1 | THUMBSCREW | TORNILLO, DE OREJETAS |
| 2 | P021039740 | 1 | AIR CLEANER COVER KIT | CONJUNTO DE CARCASA DEL FILTRO DE AIRE |
| 3 | A227000000 | 1 | +RETAINER, PRE-FILTER | +RETENEDOR DE PREFILTRO |
| 4 | A226000371 | 1 | PRE-FILTER - FOAM ⁽²⁾ | ALMOHADILLA, PRE-FILTRO ⁽²⁾ |
| 5 | A226000472 | 1 | FILTER, AIR - DOUBLE LAYER ⁽²⁾ | FILTRO DE AIRE - CAPA DOBLE ⁽²⁾ |
| 6 | A226000351 | 1 | FILTER, AIR - SINGLE LAYER ⁽¹⁾ | FILTRO DE AIRE - CAPA ÚNICA ⁽¹⁾ |
| 7 | 90024205060 | 2 | SCREW - 5×60 | TORNILLO - 5×60 |
| 8 | A244000070 | 1 | PLATE, PREVENT | PLACA, PRE-RESPIRADERO |
| 9 | P021013820 | 1 | CASE, AIR CLEANER - BLACK | CARCASA, FILTRO DE AIRE - NEGRO |
| 10 | V103000160 | 1 | GASKET, INTAKE ⁽²⁾ | JUNTA, ADMISIÓN ⁽²⁾ |
| 11 | 90010605030 | 2 | SCREW - 5×30 | TORNILLO - 5×30 |
| 12 | A200000270 | 1 | INSULATOR | AISLANTE |
| 13 | V103000380 | 1 | GASKET, INTAKE ⁽²⁾ | JUNTA, ADMISIÓN ⁽²⁾ |

(FOOTNOTE) 1 - OPTIONAL

2 - See RePower Maintenance Page

(NOTA DEL PIE) 1 - OPCIONAL

2 - Vea RePower de mantenimiento página



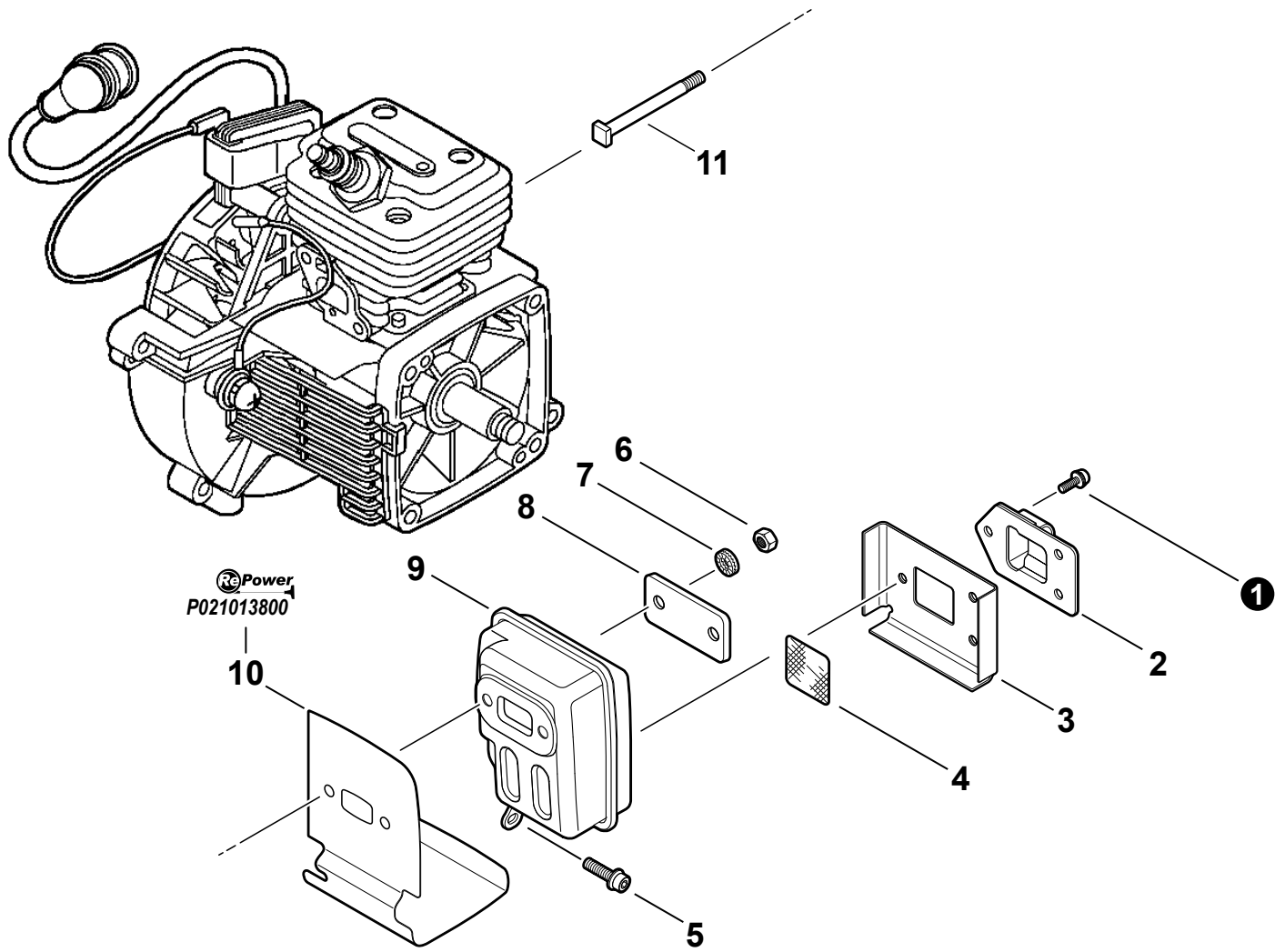
| NO. | PART NUMBER | QTY. | DESCRIPTION | DESCRIPCIÓN |
|-----|-------------------|------|---|--|
| 1 | V299000250 | 1 | THUMBSCREW | TORNILLO DE OREJETAS |
| 2 | P021046370 | 1 | AIR CLEANER COVER KIT | MONTAJE DE CUBIERTA DE FILTRO DE AIRE |
| 3 | A227000000 | 1 | +RETAINER, PRE-FILTER | +RETENEDOR DE PREFILTRO |
| 4 | A226000371 | 1 | PRE-FILTER - FOAM ⁽²⁾ | ALMOHADILLA, PRE-FILTRO ⁽²⁾ |
| 5 | A226000472 | 1 | FILTER, AIR - DOUBLE LAYER ⁽²⁾ | FILTRO DE AIRE - CAPA DOBLE ⁽²⁾ |
| 6 | A226000351 | 1 | FILTER, AIR - SINGLE LAYER ⁽¹⁾ | FILTRO DE AIRE - CAPA ÚNICA ⁽¹⁾ |
| 7 | 9157905070 | 2 | SCREW 5×70 | TORNILLO 5×70 |
| 8 | A244000070 | 1 | PLATE, PREVENT | ABRAZADERA |
| 9 | P021013820 | 1 | CASE, AIR CLEANER - BLACK | CAJA DEL FILTRO DE AIRE |
| 10 | V103000160 | 3 | GASKET, INTAKE | EMPAQUETADURA DE ADMISIÓN |
| 11 | A209000850 | 1 | PLATE, INSULATOR | PLACA AISLANTE |
| 12 | A209000140 | 1 | PLATE, INSULATOR | PLACA AISLANTE |
| 13 | 90010605030 | 2 | SCREW - 5×30 | TORNILLO - 5×30 |
| 14 | A200001000 | 1 | INSULATOR | AISLADOR DE ADMISIÓN |
| 15 | V103000380 | 1 | GASKET, INTAKE | EMPAQUETADURA DE ADMISIÓN |

(FOOTNOTE) 1 - OPTIONAL

2 - See RePower Maintenance Page

(NOTA DEL PIE) 1 - OPCIONAL

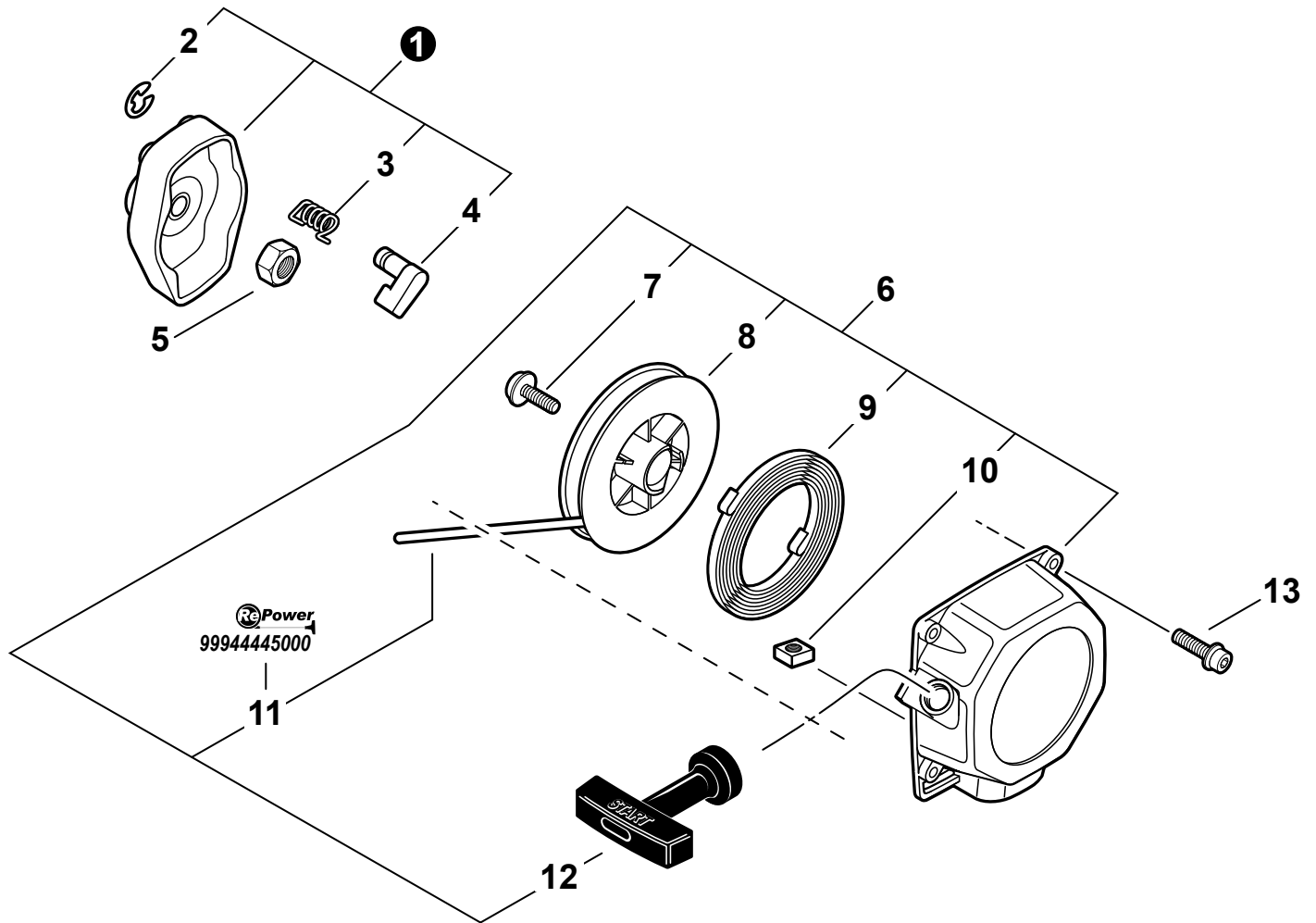
2 - Vea RePower de mantenimiento página



| NO. | PART NUMBER | QTY. | DESCRIPTION | DESCRIPCIÓN |
|-----|-------------|------|--------------------------------|----------------------------------|
| 1 | 9136704010 | 3 | SCREW - 4×10 | TORNILLO - 4×10 |
| 2 | A313000860 | 1 | GUIDE, EXHAUST | GUÍA, ESCAPE |
| 3 | V104000790 | 1 | GASKET, EXHAUST | JUNTA, ESCAPE |
| 4 | 14586240630 | 1 | SCREEN, SPARK ARRESTER | PANTALLA, SUPRESOR DE CHISPAS |
| 5 | 9111005016 | 1 | SCREW - 5×16 | TORNILLO - 5×16 |
| 6 | 90050000005 | 2 | NUT - 5 | TUERCA - 5 |
| 7 | 9228005000 | 2 | LOCKWASHER | ARANDELA DE PRESIÓN |
| 8 | V150001760 | 1 | PLATE | PLACA |
| 9 | A300000640 | 1 | MUFFLER | SILENCIADOR |
| 10 | V104000810 | 1 | SHIELD, EXHAUST ⁽¹⁾ | PROTECTOR, ESCAPE ⁽¹⁾ |
| 11 | V203000120 | 2 | BOLT - 5 | PERNO - 5 |

(FOOTNOTE) 1 - See RePower Maintenance Page

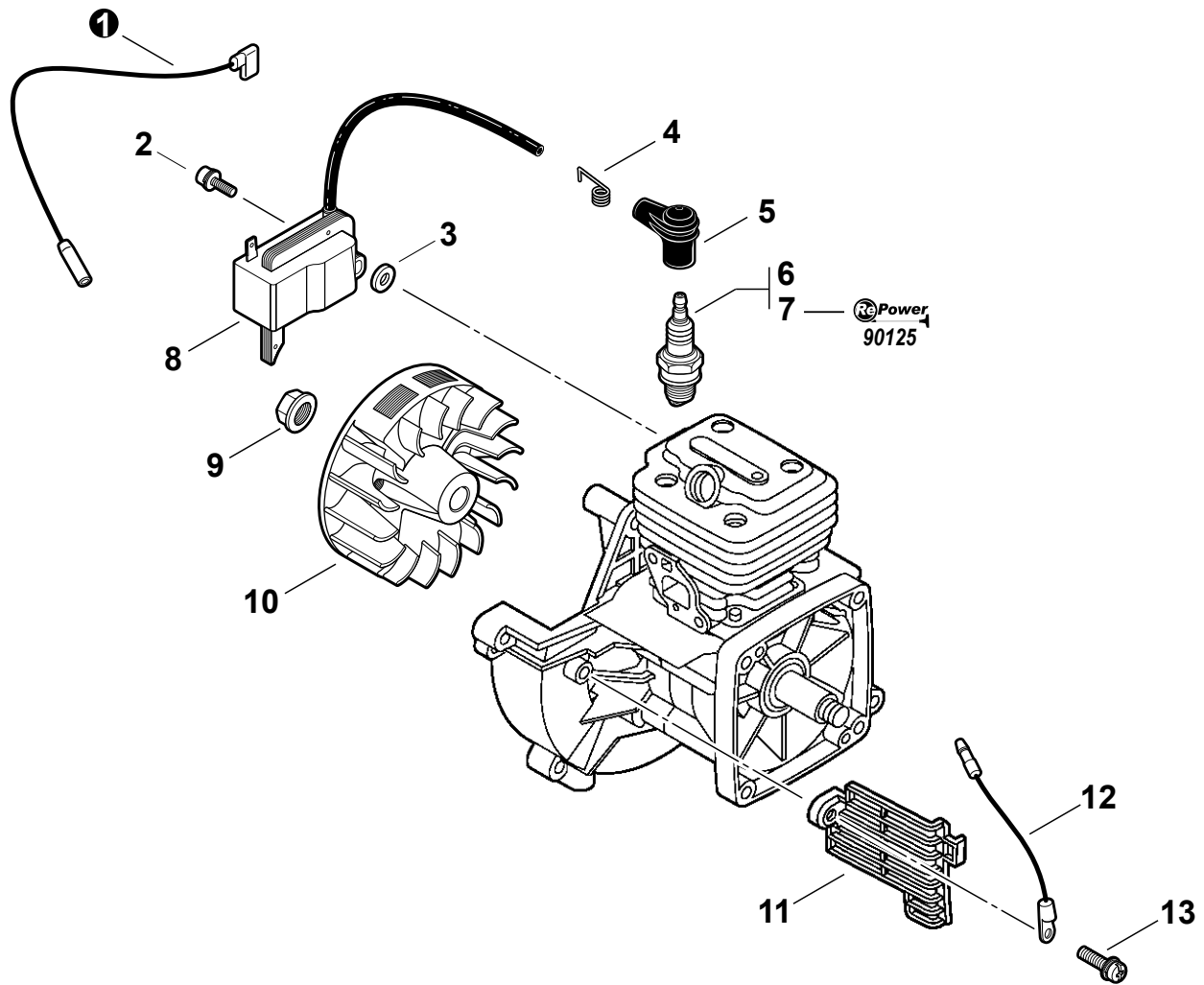
(NOTA DEL PIE) 1 - Vea RePower de mantenimiento página



| NO. | PART NUMBER | QTY. | DESCRIPTION | DESCRIPCIÓN |
|-----|-------------|------|---|--|
| 1 | A052000370 | 1 | STARTER PAWL ASY | CONJUNTO DE TRINQUETE DEL ARRANCADOR |
| 2 | P022002100 | 1 | +RING, RETAINING - 4 | +ANILLO, RETÉN - 4 |
| 3 | 17723440630 | 1 | +SPRING, RETURN | +RESORTE, RETORNO |
| 4 | A514000080 | 1 | +PAWL, STARTER | +TRINQUETE, ARRANCADOR |
| 5 | 90050200008 | 1 | NUT - 8 | TUERCA - 8 |
| 6 | A051001041 | 1 | STARTER ASY | CONJUNTO DE ARRANCADOR |
| 7 | 17723644330 | 1 | +SCREW | +TORNILLO |
| 8 | 17721540630 | 1 | +REEL, ROPE | +CARRETE, CUERDA |
| 9 | 17722040630 | 1 | +SPRING, REWIND | +RESORTE, REBOBINADO |
| 10 | 90056500005 | 1 | +NUT | +TUERCA |
| 11 | P022019660 | 1 | +ROPE, STARTER - 3.5×900 ⁽¹⁾ | +CUERDA, ARRANCADOR - 3,5×900 ⁽¹⁾ |
| 12 | 17722827030 | 1 | +GRIP, STARTER | +AGARRE, ARRANCADOR |
| 13 | V203000260 | 4 | SCREW - 5×16 | TORNILLO - 5×16 |

(FOOTNOTE) 1 - See RePower Maintenance Page

(NOTA DEL PIE) 1 - Vea RePower de mantenimiento página



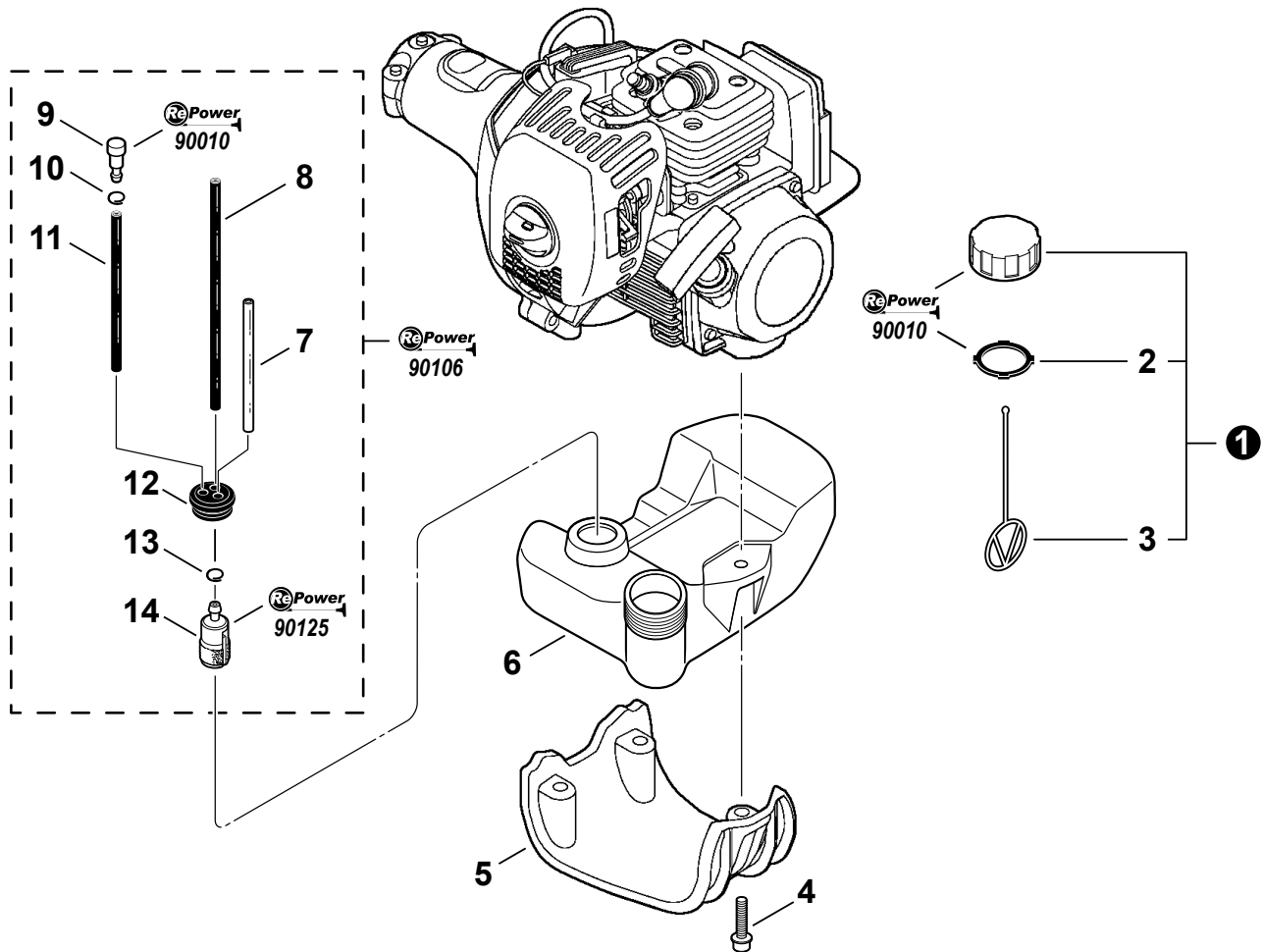
| NO. | PART NUMBER | QTY. | DESCRIPTION | DESCRIPCIÓN |
|-----|-------------|------|--|-------------------------------------|
| 1 | V485002740 | 1 | LEAD - IGNITION | CABLE - IGNICIÓN |
| 2 | 90016205020 | 2 | SCREW - 5×20 | TORNILLO - 5×20 |
| 3 | V323000070 | 2 | SPACER | ESPACIADOR |
| 4 | 15901103432 | 1 | TERMINAL, SPARK PLUG CAP | TERMINAL, CAPUCHÓN DE BUJÍA |
| 5 | 15901203433 | 1 | CAP, SPARK PLUG | TAPA, BUJÍA |
| 6 | 15901019830 | 1 | SPARK PLUG -- BPM-8Y | BUJÍA -- BPM-8Y |
| 7 | A425000000 | 1 | SPARK PLUG -- BPMR-8Y ⁽¹⁾ (2) | BUJÍA -- BPMR-8Y ⁽¹⁾ (2) |
| 8 | A411000311 | 1 | COIL, IGNITION | BOBINA, IGNICIÓN |
| 9 | 90051500008 | 1 | NUT - 8 -- FLANGE | TUERCA, DE BRIDA - 8 |
| 10 | A409000290 | 1 | FLYWHEEL | VOLANTE |
| 11 | A127000150 | 1 | SHIELD, DEBRIS | PROTECTOR, CONTRA RESIDUOS |
| 12 | V485002750 | 1 | LEAD - GROUND | CABLE - DE TIERRA |
| 13 | 90024205010 | 1 | SCREW - 5×10 | TORNILLO - 5×10 |

(FOOTNOTE) 1 - CANADA MODELS

2 - See RePower Maintenance Page

(NOTA DEL PIE) 1 - MODELOS DE CANADÁ

2 - Vea RePower de mantenimiento página

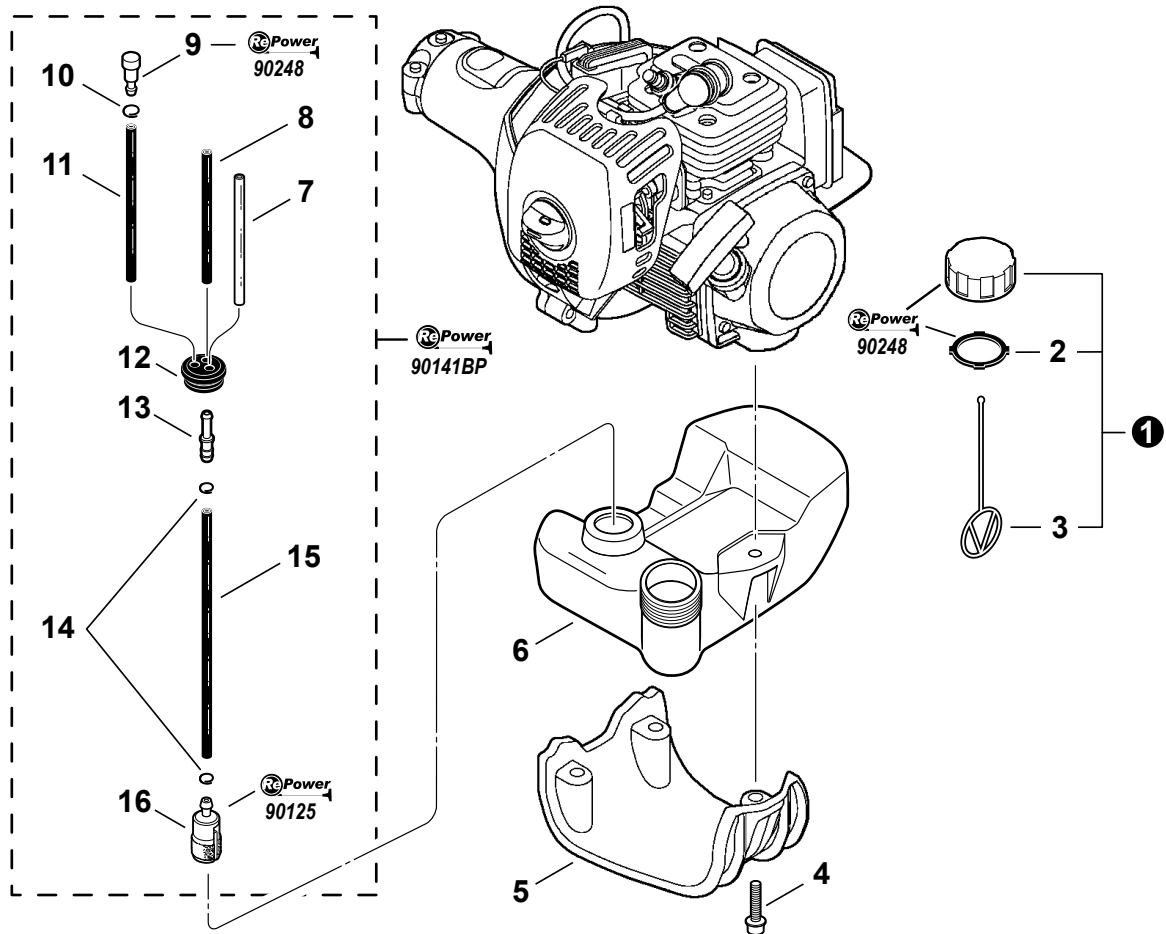


| NO. | PART NUMBER | QTY. | DESCRIPTION | DESCRIPCIÓN |
|-----|-------------|------|--|---|
| 1 | 13100455530 | 1 | CAP ASY - ORANGE | CONJUNTO DE TAPA - NARANJA |
| 2 | 13101655830 | 1 | +GASKET ⁽¹⁾ | +JUNTA ⁽¹⁾ |
| 3 | 13105156030 | 1 | +CONNECTOR, CAP | +CONECTOR, TAPA |
| 4 | 90016205020 | 3 | SCREW - 5×20 | TORNILLO - 5×20 |
| 5 | A175000040 | 1 | GUARD, FUEL TANK | PROTECTOR, TANQUE DE COMBUSTIBLE |
| 6 | A350000900 | 1 | TANK, FUEL | TANQUE, COMBUSTIBLE |
| 7 | 13201256030 | 1 | PIPE - 3×6×80 -- CLEAR ⁽¹⁾ | TUBO - 3×6×80 -- TRANSPARENTE ⁽¹⁾ |
| 8 | V470000580 | 1 | PIPE - 3×5×195 -- BLACK ⁽¹⁾ | TUBO - 3×5×195 -- NEGRO ⁽¹⁾ |
| 9 | A356000031 | 1 | VENT, FUEL TANK ⁽¹⁾ | RESPIRADERO, TANQUE DE COMBUSTIBLE ⁽¹⁾ |
| 10 | 13201326630 | 1 | CLIP - 6.5 ⁽¹⁾ | GANCHO - 6.5 ⁽¹⁾ |
| 11 | V471000110 | 1 | PIPE - 3×6×115 -- BLACK ⁽¹⁾ | TUBO - 3×6×115 -- NEGRO ⁽¹⁾ |
| 12 | 13211555930 | 1 | GROMMET ⁽¹⁾ | ANILLO DE GOMA ⁽¹⁾ |
| 13 | 13201309820 | 1 | CLIP - 6 ⁽¹⁾ | GANCHO - 6 ⁽¹⁾ |
| 14 | A369000000 | 1 | FILTER, FUEL ⁽¹⁾ | FILTRO DE COMBUSTIBLE ⁽¹⁾ |

(FOOTNOTE) 1 - See RePower Maintenance Page

(NOTA DEL PIE) 1 - Vea RePower de mantenimiento página

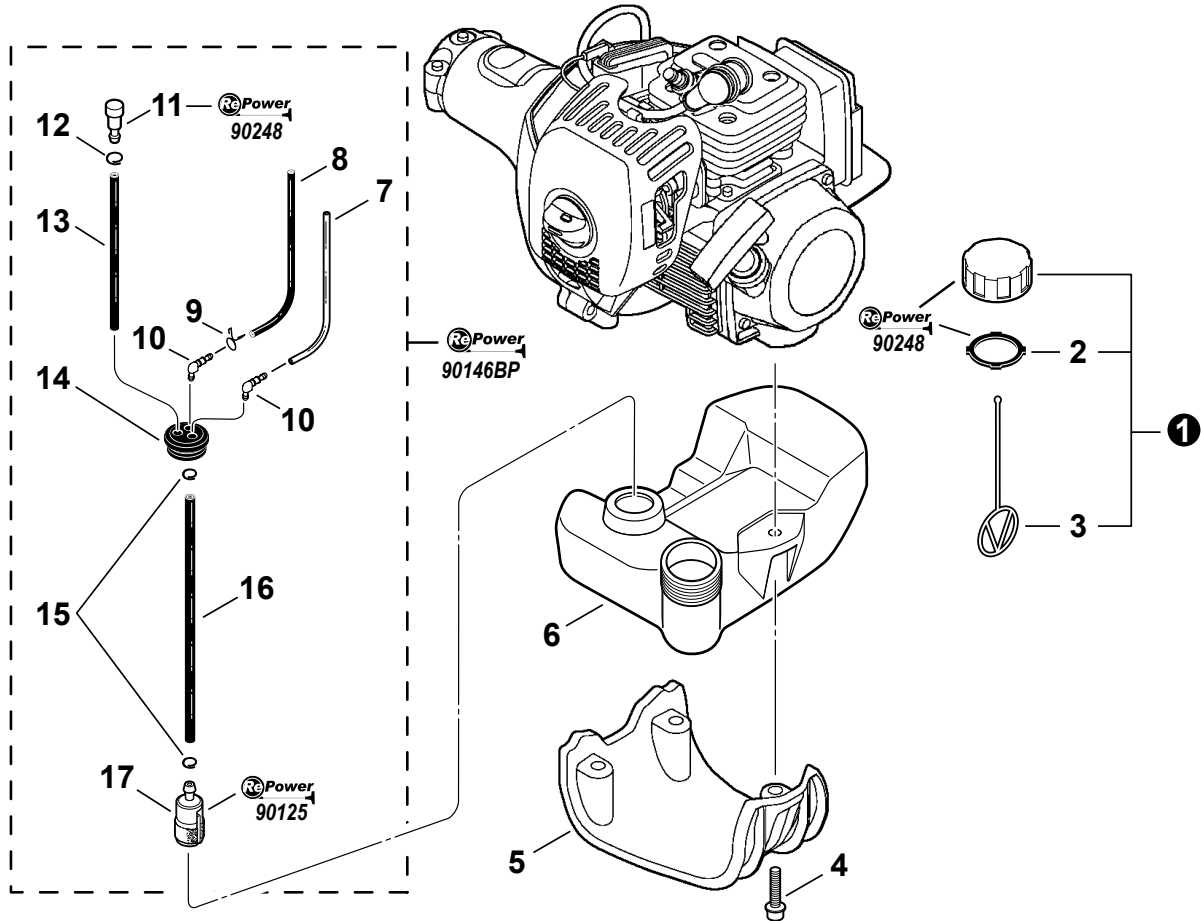
S/N: E09511001501 - E09511001640



| NO. | PART NUMBER | QTY. | DESCRIPTION | DESCRIPCIÓN |
|-----|-------------|------|--|---|
| 1 | P021040030 | 1 | CAP ASY - ORANGE | CONJUNTO DE TAPA - NARANJA |
| 2 | V107000150 | 1 | +GASKET, CAP ⁽¹⁾ | +JUNTA, TAPA ⁽¹⁾ |
| 3 | 13105156030 | 1 | +CONNECTOR, CAP | +CONECTOR, TAPA |
| 4 | 90016205020 | 3 | SCREW - 5×20 | TORNILLO - 5×20 |
| 5 | A175000040 | 1 | GUARD, FUEL TANK | PROTECTOR, TANQUE DE COMBUSTIBLE |
| 6 | A350000900 | 1 | TANK, FUEL | TANQUE, COMBUSTIBLE |
| 7 | 13201256030 | 1 | PIPE - 3×6×80 -- CLEAR ⁽¹⁾ | TUBO - 3×6×80 -- TRANSPARENTE ⁽¹⁾ |
| 8 | V471003710 | 1 | PIPE - 3×5×67 -- BLACK ⁽¹⁾ | TUBO - 3×5×67 -- NEGRO ⁽¹⁾ |
| 9 | A356000031 | 1 | VENT, FUEL TANK ⁽¹⁾ | RESPIRADERO, TANQUE DE COMBUSTIBLE ⁽¹⁾ |
| 10 | 13201326630 | 1 | CLIP - 6.5 ⁽¹⁾ | GANCHO - 6.5 ⁽¹⁾ |
| 11 | V471000110 | 1 | PIPE - 3×6×115 -- BLACK ⁽¹⁾ | TUBO - 3×6×115 -- NEGRO ⁽¹⁾ |
| 12 | 1321155930 | 1 | GROMMET ⁽¹⁾ | ANILLO DE GOMA ⁽¹⁾ |
| 13 | V186000520 | 1 | CONNECTOR, FUEL PIPE ⁽¹⁾ | CONECTOR, TUBO DE COMBUSTIBLE ⁽¹⁾ |
| 14 | V490001240 | 2 | CLIP - 6 ⁽¹⁾ | GANCHO - 6 ⁽¹⁾ |
| 15 | V471003650 | 1 | PIPE - 3×5×125 -- BLACK ⁽¹⁾ | TUBO - 3×5×125 -- NEGRO ⁽¹⁾ |
| 16 | A369000000 | 1 | FILTER, FUEL ⁽¹⁾ | FILTRO DE COMBUSTIBLE ⁽¹⁾ |

(FOOTNOTE) 1 - See RePower Maintenance Page

(NOTA DEL PIE) 1 - Vea RePower de mantenimiento página

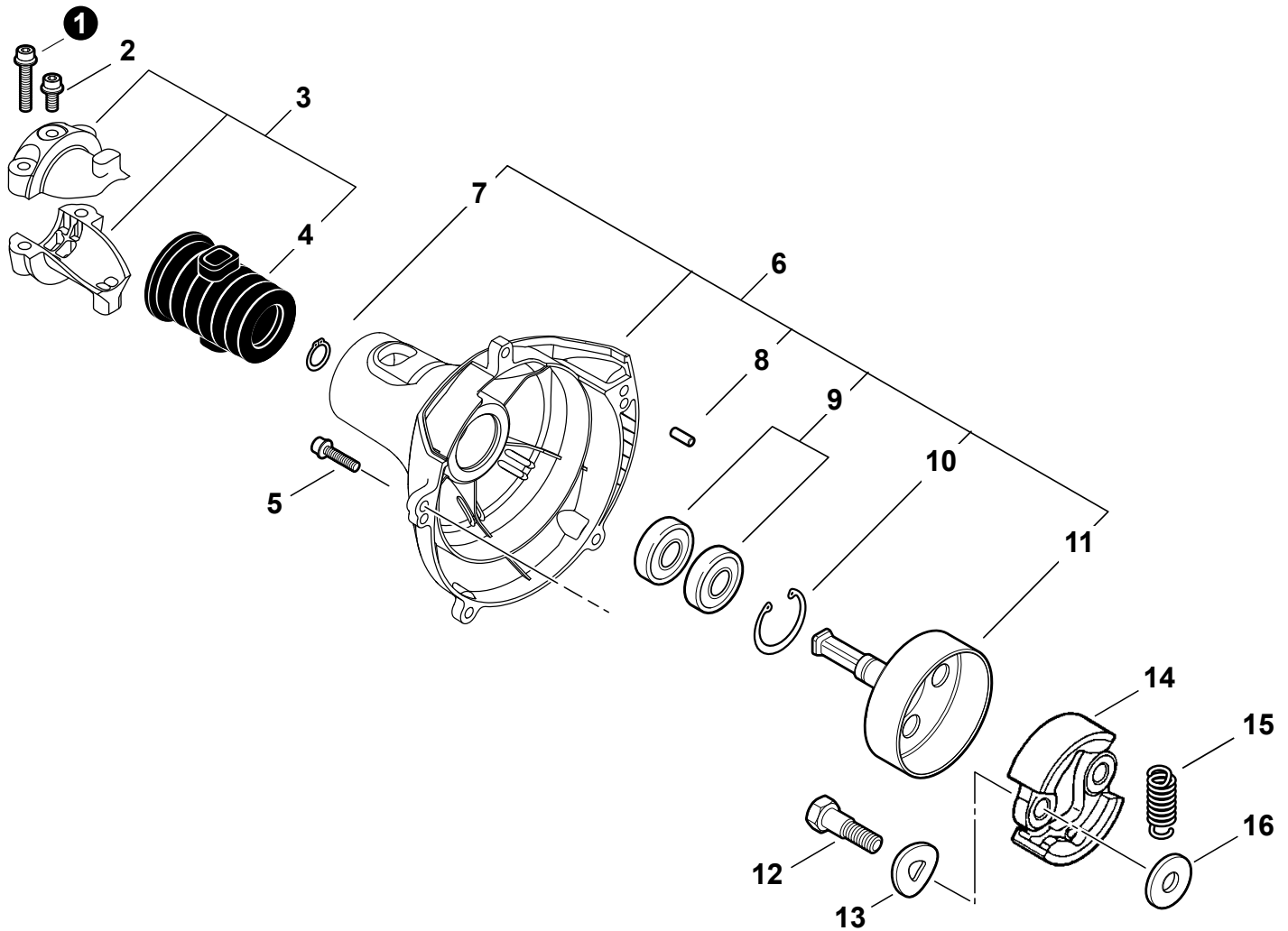


| NO. | PART NUMBER | QTY. | DESCRIPTION | DESCRIPCIÓN |
|-----|-------------|------|--|--|
| 1 | P021040030 | 1 | CAP ASY - ORANGE | CONJUNTO DE TAPA - NARANJA |
| 2 | V107000150 | 1 | +GASKET, CAP ⁽¹⁾ | +JUNTA, TAPA ⁽¹⁾ |
| 3 | 13105156030 | 1 | +CONNECTOR, CAP | +CONECTOR, TAPA |
| 4 | 90010605020 | 3 | SCREW - 5×20 | TORNILLO - 5×20 |
| 5 | A175000040 | 1 | STAND | PROTECTOR, TANQUE DE COMBUSTIBLE |
| 6 | A350000900 | 1 | TANK, FUEL | TANQUE DE COMBUSTIBLE |
| 7 | 13201256030 | 1 | PIPE - 3×6×80 -- CLEAR ⁽¹⁾ | TUBO - 3×6×80 -- TRANSPARENTE ⁽¹⁾ |
| 8 | V471003600 | 1 | PIPE - 3×5×87 -- BLACK ⁽¹⁾ | TUBO - 3×5×87 -- NEGRO ⁽¹⁾ |
| 9 | V490000510 | 1 | CLIP - BUTTERFLY ⁽¹⁾ | GANCHO, MARIPOSA ⁽¹⁾ |
| 10 | V186000500 | 2 | CONNECTOR, FUEL PIPE ⁽¹⁾ | CONECTOR, TUBO DE COMBUSTIBLE ⁽¹⁾ |
| 11 | A356000031 | 1 | VALVE, CHECK ⁽¹⁾ | RESPIRADERO DE TANQUE ⁽¹⁾ |
| 12 | 13201326630 | 1 | CLIP - 6.5 ⁽¹⁾ | SUJETADOR Ø6.5 ⁽¹⁾ |
| 13 | V471000110 | 1 | PIPE- 3×6×115 -- BLACK ⁽¹⁾ | TUBO 3×6×115 -- NEGRO ⁽¹⁾ |
| 14 | 13211555930 | 1 | GROMMET, FUEL ⁽¹⁾ | ANILLO DE GOMA ⁽¹⁾ |
| 15 | V490001240 | 2 | CLIP - 6 ⁽¹⁾ | SUJETADOR Ø6 ⁽¹⁾ |
| 16 | V471003650 | 1 | PIPE - 3×5×125 -- BLACK ⁽¹⁾ | TUBO - 3×5×125 -- NEGRO ⁽¹⁾ |
| 17 | A369000000 | 1 | FUEL FILTER ⁽¹⁾ | FILTRO DE COMBUSTIBLE ⁽¹⁾ |

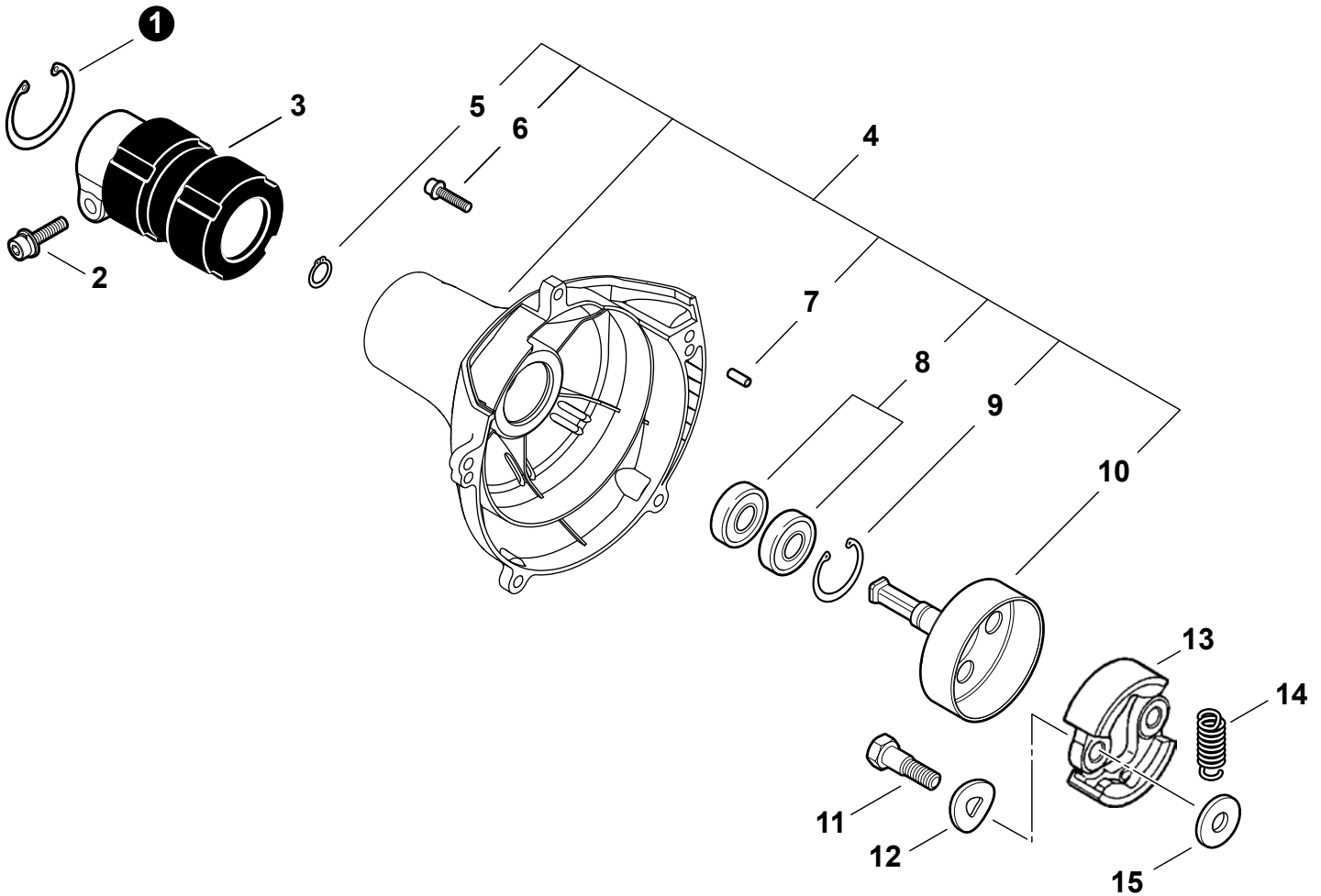
(FOOTNOTE) 1 - See RePower Maintenance Page

(NOTA DEL PIE) 1 - Vea RePower de mantenimiento página

S/N: E09511001001 - E09511001640

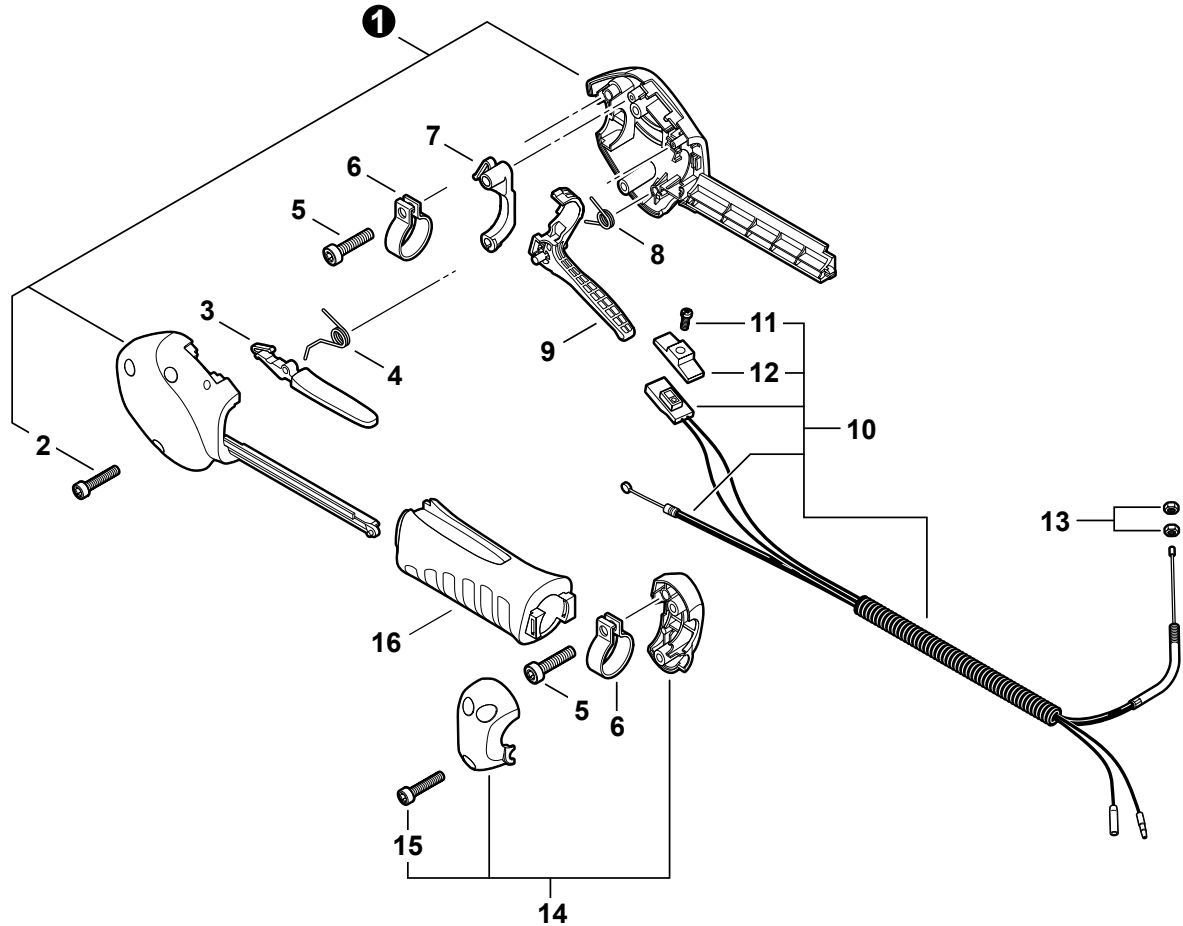


| NO. | PART NUMBER | QTY. | DESCRIPTION | DESCRIPCIÓN |
|-----|-------------|------|-----------------------|------------------------------------|
| 1 | 90010605025 | 2 | SCREW - 5×25 | TORNILLO - 5×25 |
| 2 | 90010605010 | 1 | SCREW - 5×10 | TORNILLO - 5×10 |
| 3 | P021013900 | 1 | MAIN PIPE FIXTURE KIT | KIT DE SOPORTE DE TUBO PRINCIPAL |
| 4 | V420001400 | 1 | +CUSHION | +COJÍN |
| 5 | 90010605020 | 4 | SCREW - 5×20 | TORNILLO - 5×20 |
| 6 | P021013810 | 1 | FAN CASE ASY | CONJUNTO DE CARCASA DEL VENTILADOR |
| 7 | 90070100012 | 1 | +RING, RETAINING - 12 | +ANILLO, RETÉN - 12 |
| 8 | 90033040080 | 2 | +PIN, DOWEL | +CLAVIJA |
| 9 | 90080796001 | 2 | +BEARING, BALL - 6001 | +COJINETE DE BOLAS 6001 |
| 10 | 90070200028 | 1 | +RING, RETAINING - 28 | +ANILLO, RETÉN - 28 |
| 11 | A556000420 | 1 | +DRUM, CLUTCH | +TAMBOR, EMBRAGUE |
| 12 | 17504656030 | 2 | BOLT, CLUTCH | PERNO, EMBRAGUE |
| 13 | 17504956030 | 2 | WASHER - SPRING | ARANDELA - RESORTE |
| 14 | A553000050 | 2 | SHOE, CLUTCH | ZAPATA, EMBRAGUE |
| 15 | A566000020 | 1 | SPRING, CLUTCH | RESORTE, EMBRAGUE |
| 16 | 17504805530 | 2 | WASHER - 6 | ARANDELA - 6 |

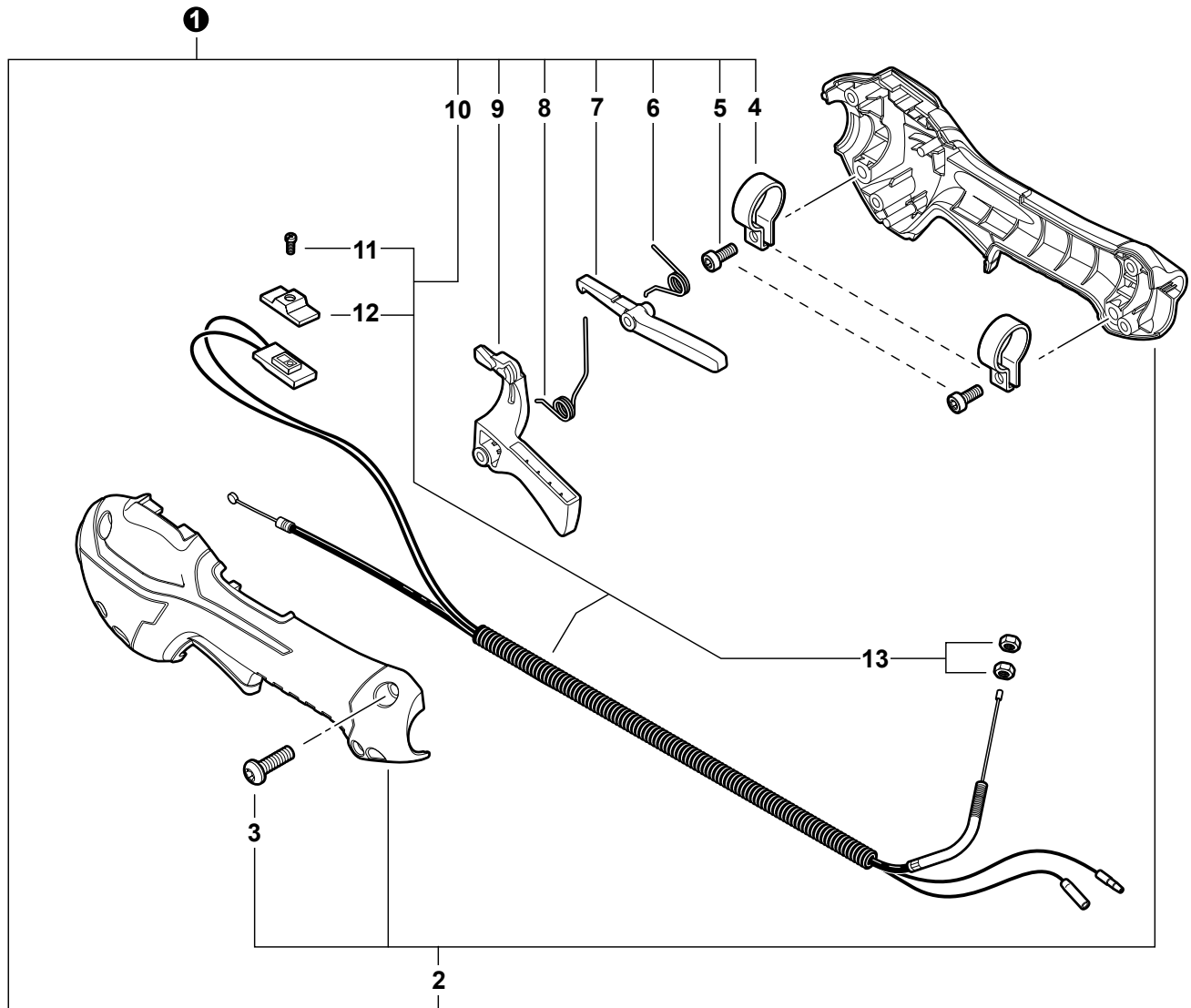


| NO. | PART NUMBER | QTY. | DESCRIPTION | DESCRIPCIÓN |
|-----|-------------------|------|-----------------------|--|
| 1 | 90070200042 | 1 | CIRCLIP 42 | ANILLO RETENEDOR Ø42 |
| 2 | 90016205028 | 1 | BOLT, H.S. 5×28 | PERNO - 5×28 |
| 3 | 61092255931 | 1 | HOLDER, MAIN PIPE | SOPORTE, TUBO PRINCIPAL |
| 4 | P021046390 | 1 | FAN CASE ASY | MONTAJE DE CARCASA DEL VENTILADOR |
| 5 | 90070100012 | 1 | +RING, RETAINING - 12 | +ANILLO DE RETENCIÓN - 12 |
| 6 | 90010605020 | 4 | +SCREW - 5×20 | +TORNILLO 5×20 |
| 7 | 90033040080 | 2 | +PIN, DOWEL | +CLAVIJA GUÍA |
| 8 | 9405106001 | 2 | +BEARING, BALL - 6001 | +COJINETE DE BALINES - 6001 |
| 9 | 90070200028 | 1 | +RING, RETAINING - 28 | +ANILLO DE RETENCIÓN - 28 |
| 10 | A556000420 | 1 | +DRUM, CLUTCH | +TAMBOR EMBRAGUE |
| 11 | 17504656030 | 2 | BOLT, CLUTCH | PERNO DEL EMBRAGUE |
| 12 | 17504956030 | 2 | WASHER - SPRING | ARANDELA DE PRESION |
| 13 | A553000050 | 2 | SHOE, CLUTCH | ZAPATA DE EMBRAGUE |
| 14 | A566000020 | 1 | SPRING, CLUTCH | RESORTE DEL EMBRAGUE |
| 15 | 17504805530 | 2 | WASHER - 6 | ARANDELA |

S/N: E09511001001 - E09511001528

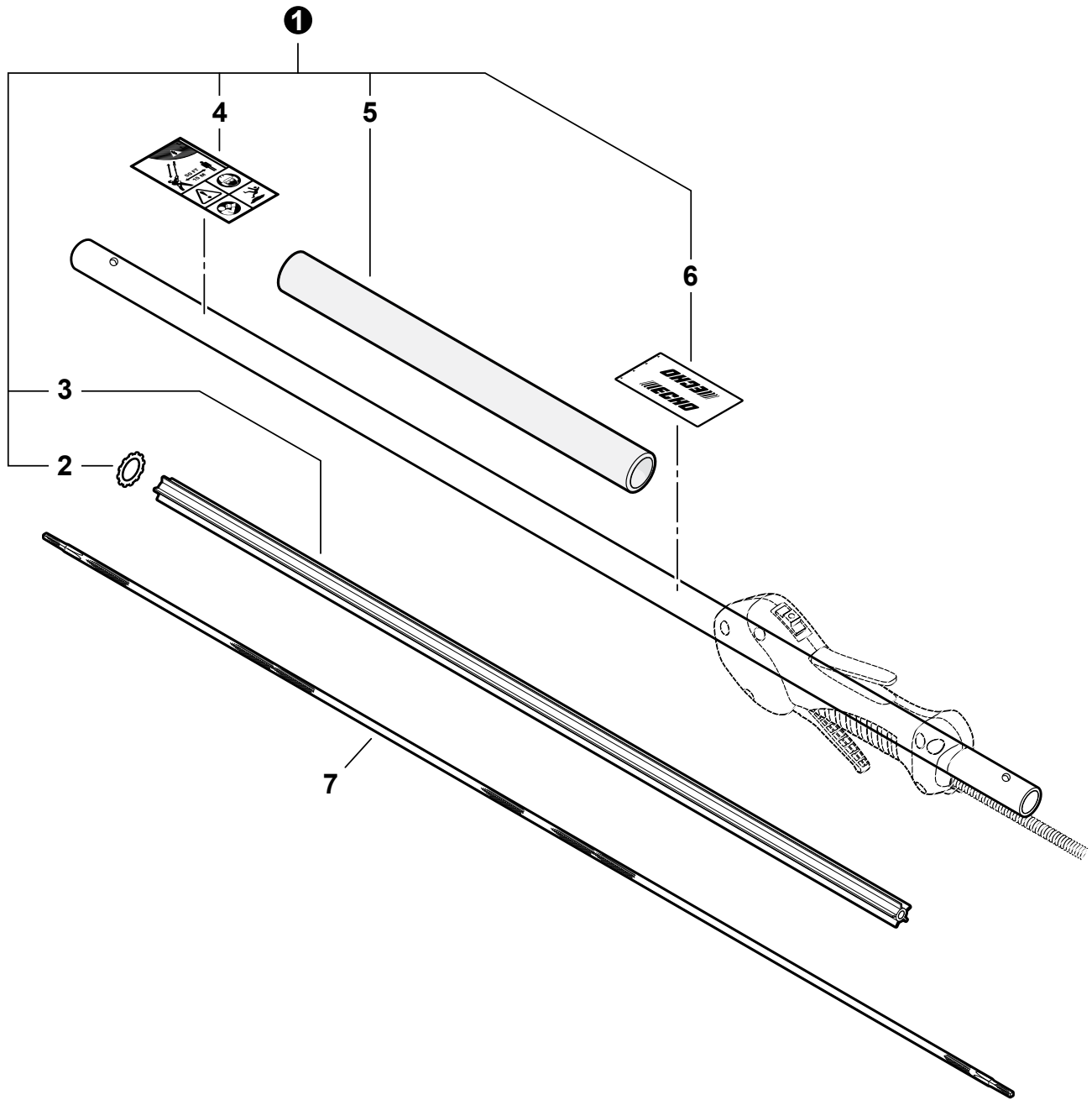


| NO. | PART NUMBER | QTY. | DESCRIPTION | DESCRIPCIÓN |
|-----|-------------|------|--------------------------|----------------------------------|
| 1 | P021015900 | 1 | CONTROL HANDLE KIT | KIT DE MANGO DE CONTROL |
| 2 | V804000020 | 2 | +SCREW - 4×20 -- TAPPING | +TORNILLO - 4×20 -- AUTOROSCANTE |
| 3 | C460000051 | 1 | LEVER, THROTTLE LOCKOUT | PALANCA, BLOQUEO |
| 4 | V452000240 | 1 | SPRING, LEVER RETURN | RESORTE, RETORNO DE LA PALANCA |
| 5 | V805000160 | 2 | SCREW - 5×20 | TORNILLO - 5×20 |
| 6 | V495000680 | 2 | CLAMP | ABRAZADERA |
| 7 | C453000151 | 1 | LOCKOUT, TRIGGER | TRABA, GATILLO |
| 8 | V452000210 | 1 | SPRING, TRIGGER | RESORTE, GATILLO |
| 9 | C450000183 | 1 | TRIGGER, THROTTLE | GATILLO, ACELERADOR |
| 10 | V043000100 | 1 | CONTROL CABLE ASY | CONTROL CABLE ASY |
| 11 | 9154503010 | 1 | +SCREW - 3×10 | +TORNILLO - 3×10 |
| 12 | A444000020 | 1 | +KNOB, SWITCH - ORANGE | +PERILLA, INTERRUPTOR - NARANJA |
| 13 | 90050200006 | 2 | NUT - 6 | TUERCA - 6 |
| 14 | P021015910 | 1 | HANDLE FIXTURE KIT | KIT DE ADITAMENTO DE MANGO |
| 15 | V804000020 | 2 | +SCREW - 4×20 -- TAPPING | +TORNILLO - 4×20 -- AUTOROSCANTE |
| 16 | C412000090 | 1 | GRIP, HANDLE | AGARRE, MANGO |

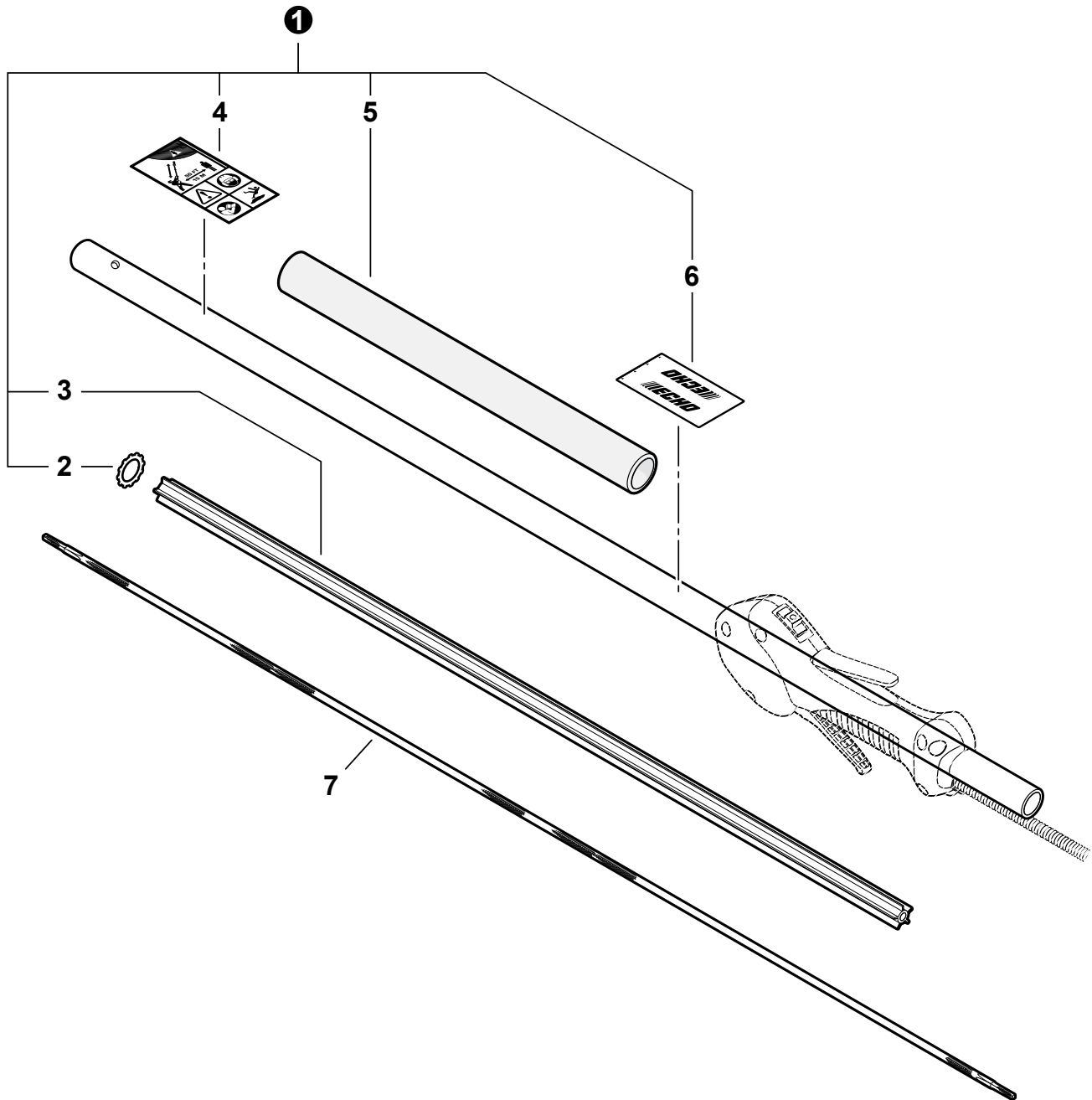


| NO. | PART NUMBER | QTY. | DESCRIPTION | DESCRIPCIÓN |
|-----|-------------|------|--------------------------|----------------------------------|
| 1 | P021044380 | 1 | CONTROL HANDLE KIT | KIT DE MANGO DE CONTROL |
| 2 | P021044370 | 1 | +CONTROL HANDLE KIT | +KIT DE MANGO DE CONTROL |
| 3 | V805000000 | 4 | ++SCREW - 5×16 | ++TORNILLO - 5×16 |
| 4 | V495003020 | 2 | +CLAMP | +ABRAZADERA |
| 5 | V805000150 | 2 | +SCREW - 5×16 | +TORNILLO - 5×16 |
| 6 | V452001510 | 1 | +SPRING, LOCKOUT LEVER | +RESORTE, BLOQUEO DEL ACELERADOR |
| 7 | C460000441 | 1 | +LEVER, THROTTLE LOCKOUT | +PALANCA, BLOQUEO |
| 8 | V452001520 | 1 | +SPRING, TRIGGER | +RESORTE, GATILLO |
| 9 | C453000482 | 1 | +TRIGGER, THROTTLE | +GATILLO, ACELERADOR |
| 10 | P021044740 | 1 | +CONTROL CABLE ASY | +MONTAJE DE CABLE DE CONTROL |
| 11 | 9154503010 | 1 | ++SCREW - 3×10 | ++TORNILLO - 3×10 |
| 12 | A444000020 | 1 | ++KNOB, SWITCH - ORANGE | ++PERILLA, INTERRUPTOR - NARANJA |
| 13 | 90050200006 | 2 | ++NUT - 6 | ++TUERCA - 6 |

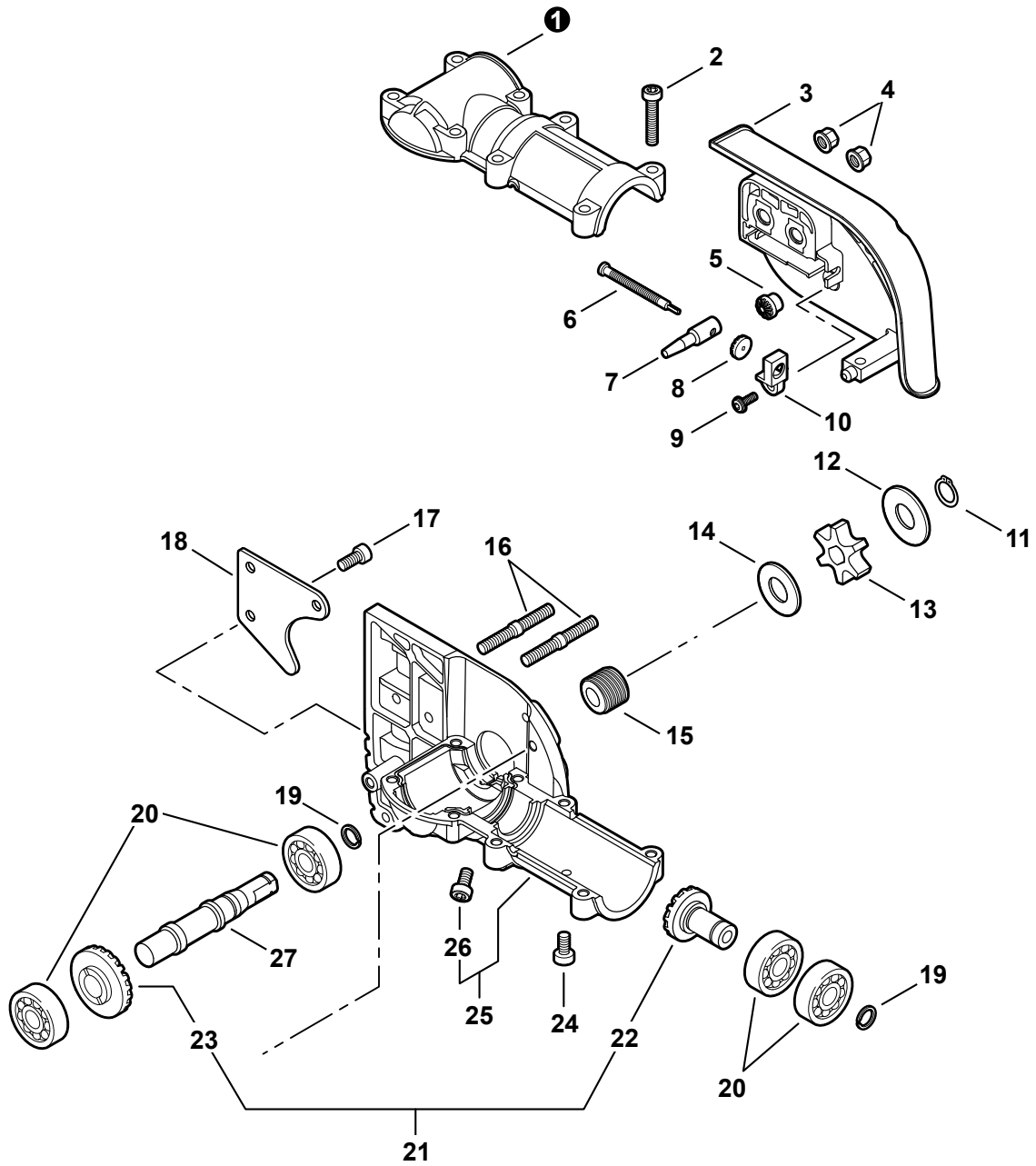
S/N: E09511001001 - E09511001584



| NO. | PART NUMBER | QTY. | DESCRIPTION | DESCRIPCIÓN |
|-----|-------------|------|--------------------------|---------------------------------|
| 1 | C050002210 | 1 | MAIN PIPE ASY | CONJUNTO DE TUBO PRINCIPAL |
| 2 | 90003800100 | 1 | +LOCKWASHER - EXTERNAL | +ARANDELA DE PRESIÓN - EXTERNA |
| 3 | C507000330 | 1 | +LINER - FLEXIBLE | +FORRO - FLEXIBLE |
| 4 | X505001821 | 1 | +LABEL - CAUTION | +ETIQUETA - PRECAUCIÓN |
| 5 | C403000200 | 1 | +GRIP, FRONT | +AGARRE, DELANTERO |
| 6 | X502000690 | 1 | +LABEL - HANDLE LOCATION | +ETIQUETA - UBICACIÓN DEL MANGO |
| 7 | C506000350 | 1 | DRIVESHAFT - FLEXIBLE | EJE DE MANDO - FLEXIBLE |

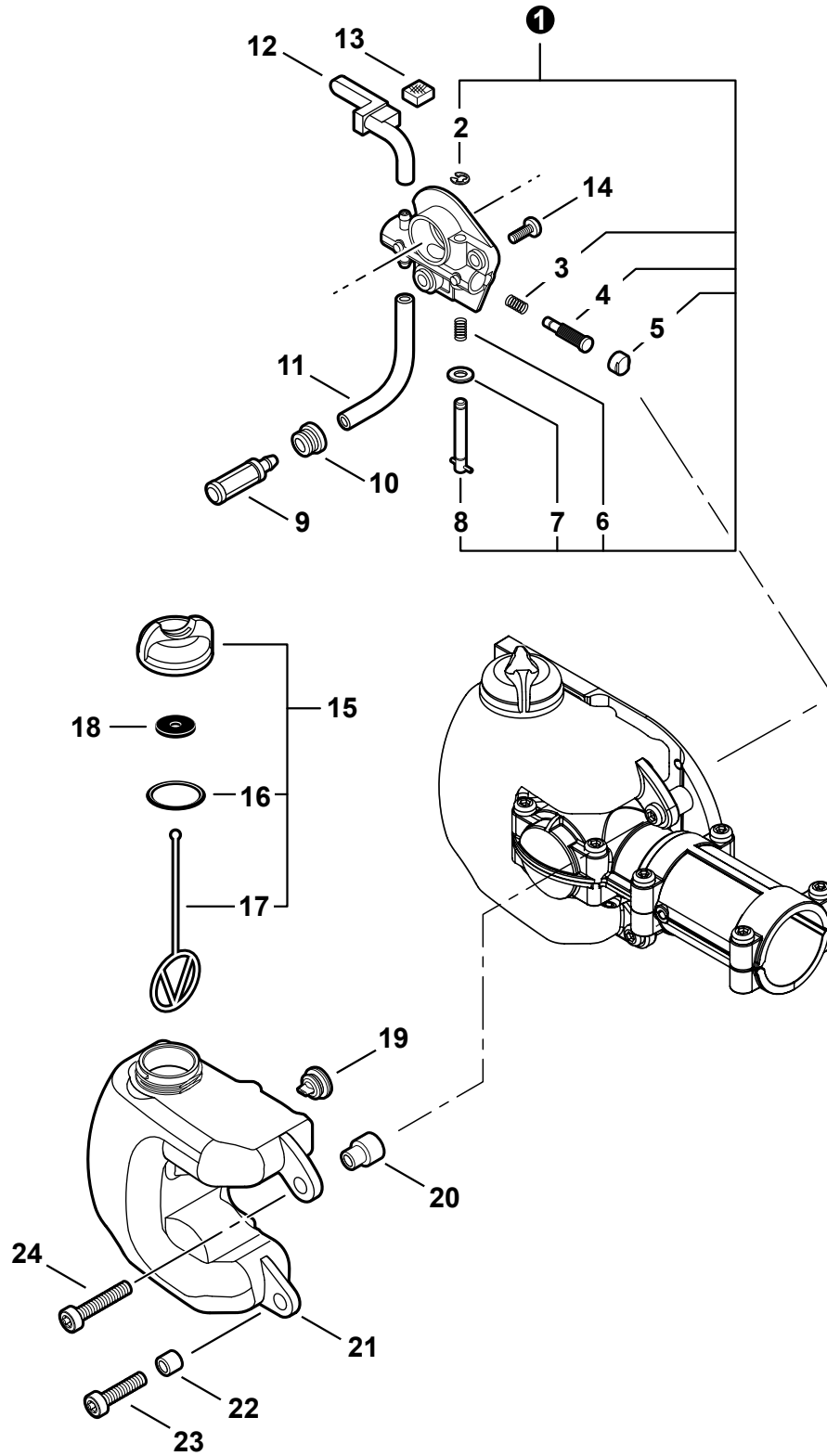


| NO. | PART NUMBER | QTY. | DESCRIPTION | DESCRIPCIÓN |
|-----|-------------|------|--------------------------|---------------------------------|
| 1 | C050002211 | 1 | MAIN PIPE ASY | CONJUNTO DE TUBO PRINCIPAL |
| 2 | 90003800100 | 1 | +LOCKWASHER - EXTERNAL | +ARANDELA DE PRESIÓN - EXTERNA |
| 3 | C507000330 | 1 | +LINER - FLEXIBLE | +FORRO - FLEXIBLE |
| 4 | X505001822 | 1 | +LABEL - CAUTION | +ETIQUETA - PRECAUCIÓN |
| 5 | C403000200 | 1 | +GRIP, FRONT | +AGARRE, DELANTERO |
| 6 | X502000690 | 1 | +LABEL - HANDLE LOCATION | +ETIQUETA - UBICACIÓN DEL MANGO |
| 7 | C506000350 | 1 | DRIVESHAFT - FLEXIBLE | EJE DE MANDO - FLEXIBLE |





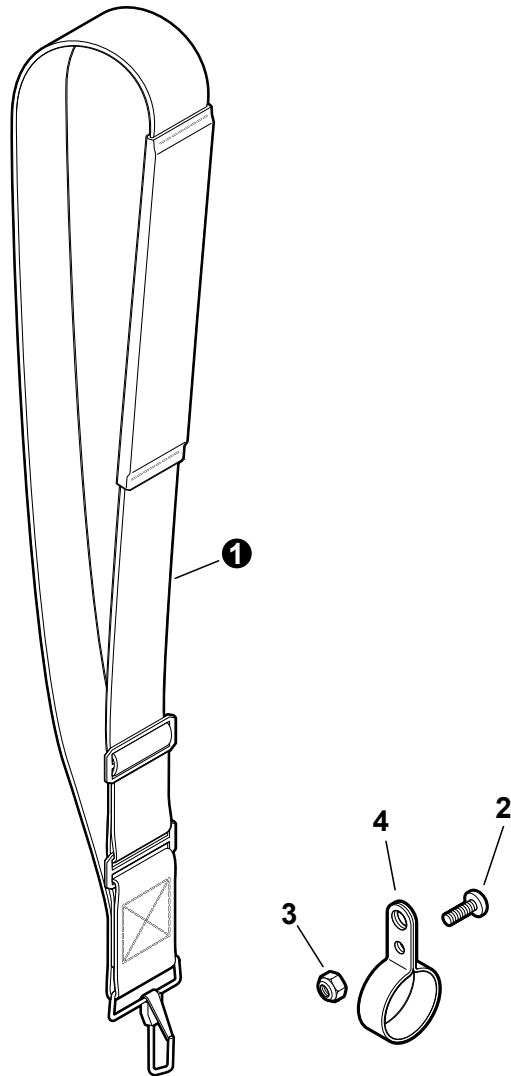
| NO. | PART NUMBER | QTY. | DESCRIPTION | DESCRIPCIÓN |
|-----|-------------------|----------|---------------------------|---------------------------------------|
| 1 | C531000010 | 1 | CASE, GEAR - UPPER | CARCASA, ENGRANAJES - SUPERIOR |
| 2 | V805000170 | 8 | SCREW - 5×25 | TORNILLO - 5×25 |
| 3 | C300000920 | 1 | GUARD, SPROCKET | PROTECTOR, RUEDA DENTADA |
| 4 | 43301903933 | 2 | NUT - 6 -- FLANGE | TUERCA, DE BRIDA - 6 |
| 5 | V651000320 | 1 | GEAR - 14 TOOTH | ENGRANAJE - 14 DIENTES |
| 6 | V203000041 | 1 | SCREW, TENSIONER | TORNILLO, DEL TENSOR |
| 7 | C309000030 | 1 | TENSIONER, CHAIN | TENSOR, CADENA |
| 8 | V651000310 | 1 | GEAR - 14 TOOTH | ENGRANAJE - 14 DIENTES |
| 9 | V252000040 | 1 | SCREW - 4×8 | TORNILLO - 4×8 |
| 10 | V355000140 | 1 | BRACKET, TENSIONER | SOPORTE, DEL TENSOR |
| 11 | V583000090 | 1 | RING, RETAINING | ANILLO, RETÉN |
| 12 | V307000160 | 1 | WASHER - 10 | ARANDELA - 10 |
| 13 | C580000070 | 1 | SPROCKET, DRIVE | RUEDA DENTADA, DE MANDO |
| 14 | 17501439131 | 1 | WASHER | ARANDELA |
| 15 | V652000021 | 1 | GEAR, WORM | ENGRANAJE, TORNILLO SIN FIN |
| 16 | V224000040 | 2 | STUD, GUIDE BAR | PRISIONERO, BARRA GUÍA |
| 17 | V253000200 | 3 | SCREW - 5×10 | TORNILLO - 5×10 |
| 18 | C649000140 | 1 | HOOK | GANCHO |
| 19 | 90070600012 | 2 | RING, RETAINING - 12 | ANILLO, RETÉN - 12 |
| 20 | 9404206001 | 4 | BEARING, BALL - 6001 | COJINETE DE BOLAS 6001 |
| 21 | P021009731 | 1 | GEAR SET | JUEGO DE ENGRANAJES |
| 22 | V651000230 | 1 | +GEAR, BEVEL - 15 TOOTH | +ENGRANAJE, CÓNICO - 15 DIENTES |
| 23 | V651000201 | 1 | +GEAR, BEVEL - 23 TOOTH | +ENGRANAJE, CÓNICO - 23 DIENTES |
| 24 | V805000130 | 1 | SCREW - 5×10 | TORNILLO - 5×10 |
| 25 | C531000460 | 1 | CASE, GEAR - LOWER | CARCASA, ENGRANAJES - INFERIOR |
| 26 | V805000130 | 1 | +SCREW - 5×10 | +TORNILLO - 5×10 |
| 27 | C534000430 | 1 | GEAR, SHAFT | ENGRANAJE, EJE |



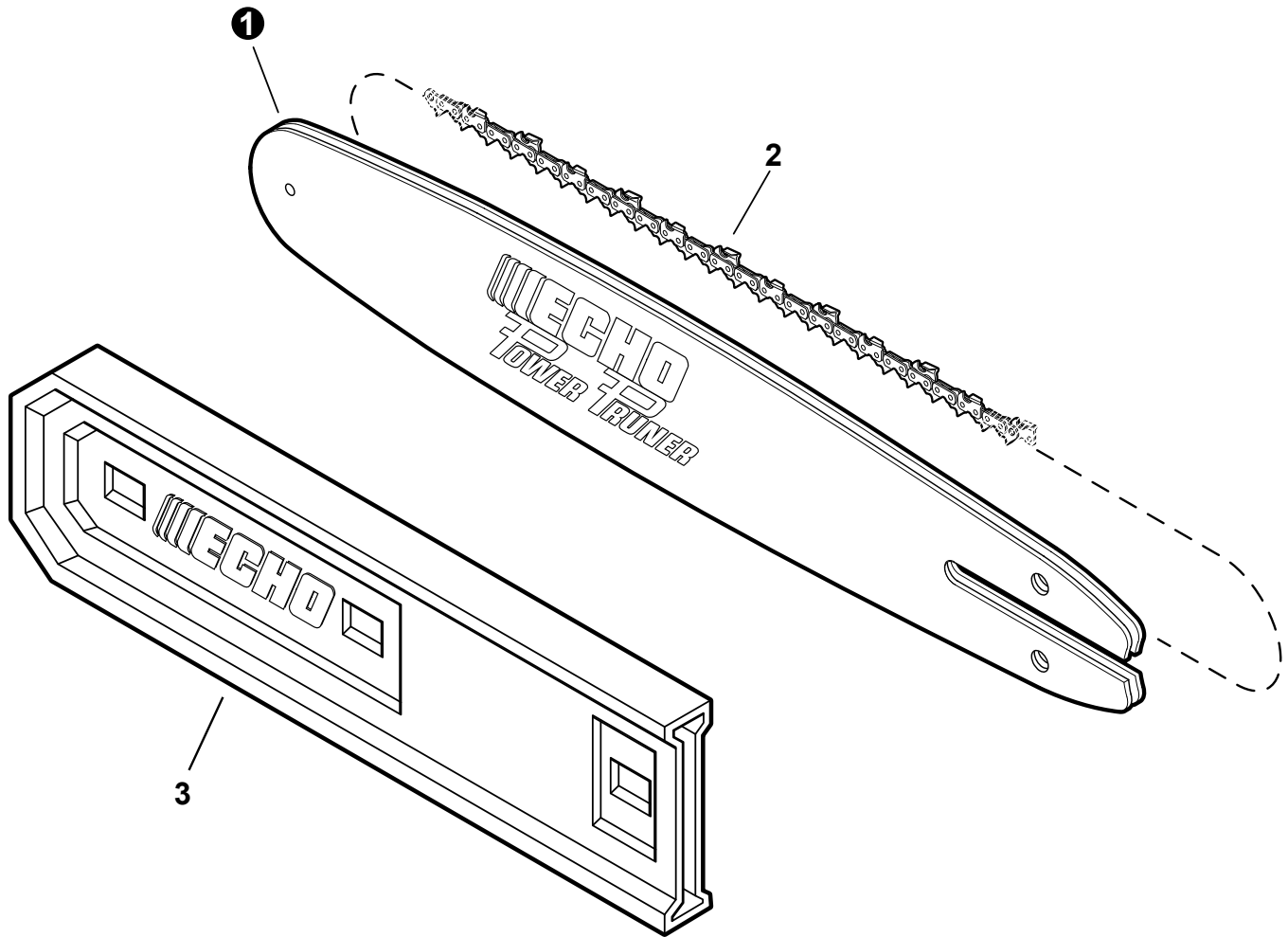
| NO. | PART NUMBER | QTY. | DESCRIPTION | DESCRIPCIÓN |
|-----|-------------------|------|---------------------------------------|---------------------------------------|
| 1 | C022000010 | 1 | AUTO-OILER ASY | CONJUNTO DE BOMBA DE ACEITE |
| 2 | 12532715130 | 1 | +RING, RETAINING | +ANILLO, RETÉN |
| 3 | P022010660 | 1 | +SPRING | +RESORTE |
| 4 | P022010650 | 1 | +PLUNGER | +ÉMBOLO |
| 5 | P022010640 | 1 | +CAP, OIL PUMP | +TAPA, BOMBA DE ACEITE |
| 6 | P022010670 | 1 | +SPRING | +RESORTE |
| 7 | 43702937330 | 1 | +WASHER | +ARANDELA |
| 8 | P022010680 | 1 | +NEEDLE, ADJUST | +AGUJA, AJUSTE |
| 9 | 13211501461 | 1 | GROMMET | ANILLO DE GOMA |
| 10 | 43620502832 | 1 | FILTER, OIL | FILTRO DE ACEITE |
| 11 | 13011012330 | 1 | PIPE - 3×6×75 -- BLACK ⁽¹⁾ | TUBO - 3×6×75 -- NEGRO ⁽¹⁾ |
| 12 | V470000180 | 1 | PIPE, OIL OUTLET | TUBO, SALIDA DE ACEITE |
| 13 | 43724439130 | 1 | PAD, FOAM | ALMOHADILLA, GOMA ESPUMA |
| 14 | V805000130 | 2 | SCREW - 5×10 | TORNILLO - 5×10 |
| 15 | P021014940 | 1 | CAP ASY - ORANGE | CONJUNTO DE TAPA - NARANJA |
| 16 | 90072000018 | 1 | +O-RING - 18 | +ANILLO O - 18 |
| 17 | A365000050 | 1 | +CONNECTOR, CAP | +CONECTOR, TAPA |
| 18 | 43601237830 | 1 | WASHER - RUBBER ⁽²⁾ | ARANDELA - DE GOMA ⁽²⁾ |
| 19 | 13131406320 | 1 | VENT ASY | CONJUNTO DE RESPIRADERO |
| 20 | V354000010 | 1 | SPACER | ESPACIADOR |
| 21 | C200000080 | 1 | TANK, OIL | TANQUE, ACEITE |
| 22 | 13104528230 | 2 | SLEEVE | MANGUITO |
| 23 | V805000160 | 2 | SCREW - 5×20 | TORNILLO - 5×20 |
| 24 | V805000170 | 1 | SCREW - 5×25 | TORNILLO - 5×25 |

(FOOTNOTE) 1 - See RePower Maintenance Page
2 - No Longer Required

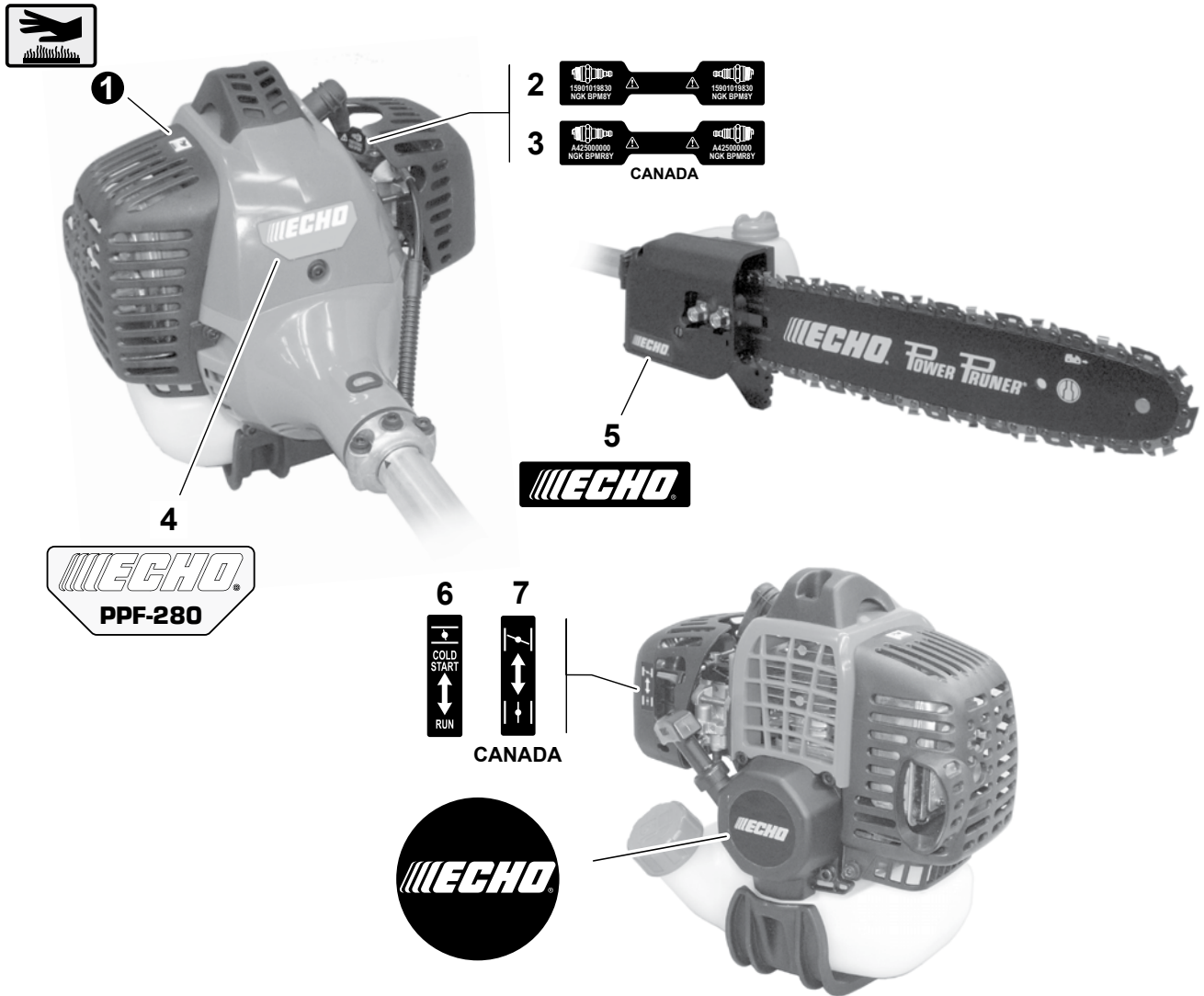
(NOTA DEL PIE) 1 - Vea RePower de mantenimiento página
2 - Requerido no más



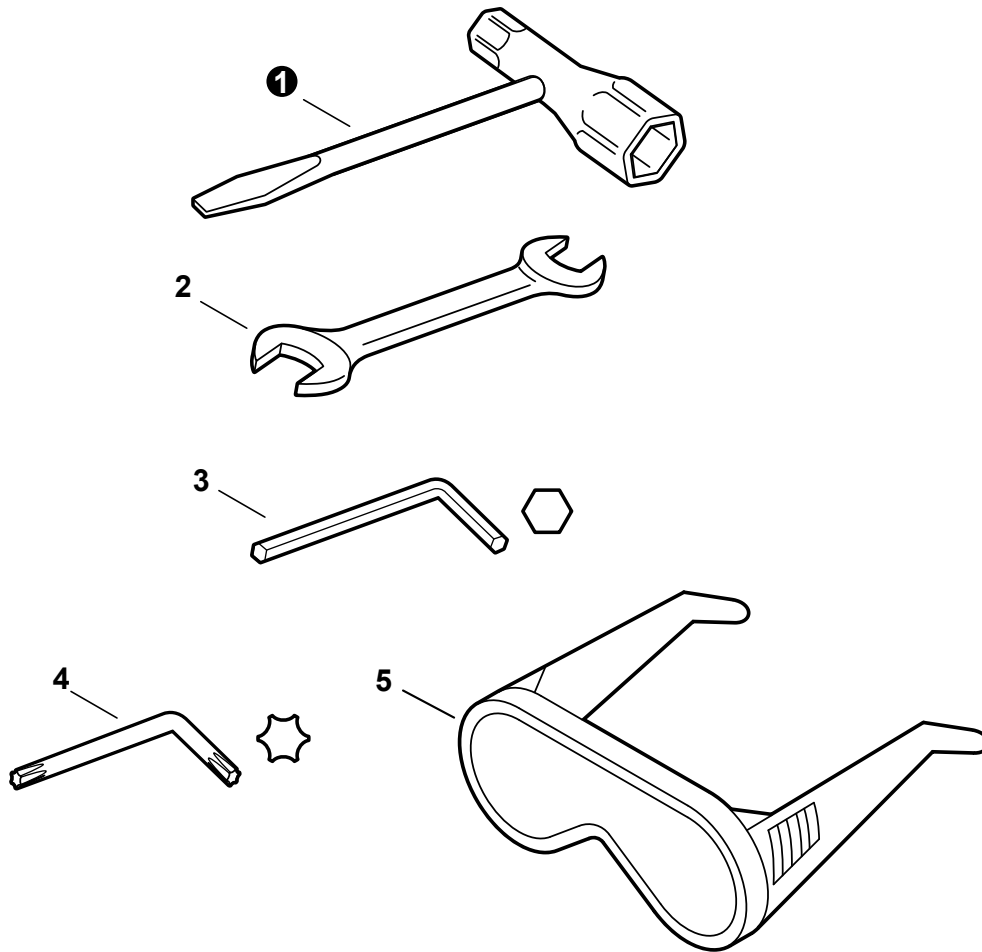
| NO. | PART NUMBER | QTY. | DESCRIPTION | DESCRIPCIÓN |
|-----|-------------|------|--------------------|------------------------------|
| 1 | 30100022060 | 1 | SHOULDER STRAP ASY | CONJUNTO DE CORREA DE HOMBRO |
| 2 | V805000130 | 1 | SCREW - 5×10 | TORNILLO - 5×10 |
| 3 | 90056000005 | 1 | NUT - 5 | TUERCA - 5 |
| 4 | 30061022061 | 1 | CLAMP | ABRAZADERA |



| NO. | PART NUMBER | QTY. | DESCRIPTION | DESCRIPCIÓN |
|-----|-------------|------|------------------------|-------------------------------|
| 1 | 12A0CD3744 | 1 | GUIDE BAR - 12" (30cm) | BARRA GUÍA - 12" (30cm) |
| 2 | 91VXL44CQ | 1 | SAW CHAIN - 12" (30cm) | CADENA DE SIERRA - 12" (30cm) |
| 3 | X490000050 | 1 | COVER, GUIDE BAR - 12" | FUNDA - 12" |



| NO. | PART NUMBER | QTY. | DESCRIPTION | DESCRIPCIÓN |
|-----|-------------|------|-------------------------------|-----------------------------------|
| 1 | X505002310 | 1 | LABEL - CAUTION -- HOT | ETIQUETA - PRECAUCIÓN -- CALIENTE |
| 2 | X532000671 | 1 | LABEL - SPARK PLUG -- BPM-8Y | ETIQUETA - BUJÍA -- BPM-8Y |
| 3 | X532000720 | 1 | LABEL - SPARK PLUG -- BPMR-8Y | ETIQUETA - BUJÍA -- BPMR-8Y |
| 4 | X547001840 | 1 | LABEL - ECHO | ETIQUETA - ECHO |
| 5 | X502000600 | 1 | LABEL - ECHO | ETIQUETA - ECHO |
| 6 | 89012152730 | 1 | LABEL - CHOKE | ETIQUETA - AHOGADOR |
| 7 | 89033252730 | 1 | LABEL - CHOKE | ETIQUETA - AHOGADOR |
| 8 | X502000330 | 1 | LABEL - ECHO | ETIQUETA - ECHO |



| NO. | PART NUMBER | QTY. | DESCRIPTION | DESCRIPCIÓN |
|-----|-------------|------|--------------------|----------------------------|
| 1 | 89541039131 | 1 | T-WRENCH - 10×19mm | LLAVE DE TUERCAS - 10×19mm |
| 2 | 89511200330 | 1 | SPANNER - 8×10mm | SPANNER - 8×10mm |
| 3 | X605000100 | 1 | KEY - HEX -- 4mm | KEY - HEX -- 4mm |
| 4 | X605000060 | 1 | KEY - TORX-- T27 | KEY - TORX-- T27 |
| 5 | X690000080 | 1 | GOGGLES | PROTECTORES DE LA VISTA |

| NO. | PART NUMBER | QTY. | DESCRIPTION | DESCRIPCIÓN |
|-----|--------------------|----------|-------------------------------------|---|
| | 90125 | 1 | RePower TUNE-UP KIT | JUEGO DE PUESTA A PUNTO REPOWER |
| | A226000472 | 1 | +FILTER, AIR - DOUBLE LAYER | +FILTRO DE AIRE - CAPA DOBLE |
| | A425000000 | 1 | +SPARK PLUG - BPMR-8Y | +BUJÍA BPMR-8Y |
| | A369000000 | 1 | +FILTER, FUEL | +FILTRO DE COMBUSTIBLE |
| | A226000371 | 1 | +PRE-FILTER - FOAM | +ALMOHADILLA, PRE-FILTRO |
| | 99944445000 | 1 | ROPE, STARTER - REPOWER BULK | CUERDA DEL ARRANCADOR REPOWER AL POR MAYOR |
| | 90106 | 1 | RePower FUEL SYSTEM KIT | KIT DEL SISTEMA DE CARBURANTE |
| | 13201256030 | 1 | +PIPE - 3×6×80 -- CLEAR | +TUBO - 3×6×80 -- TRANSPARENTE |
| | V470000580 | 1 | +PIPE - 3×5×195 -- BLACK | +TUBO - 3×5×195 -- NEGRO |
| | A356000031 | 1 | +VENT, FUEL TANK | +RESPIRADERO, TANQUE DE COMBUSTIBLE |
| | 13201326630 | 1 | +CLIP - 6.5 | +GANCHO - 6.5 |
| | V471000110 | 1 | +PIPE - 3×6×115 -- BLACK | +TUBO - 3×6×115 -- NEGRO |
| | 13211555930 | 1 | +GROMMET | +ANILLO DE GOMA |
| | 13201309820 | 1 | +CLIP - 6 | +GANCHO - 6 |
| | A369000000 | 1 | +FILTER, FUEL | +FILTRO DE COMBUSTIBLE |
| | 90141BP | 1 | RePower FUEL SYSTEM KIT | KIT DEL SISTEMA DE CARBURANTE |
| | 13201256030 | 1 | +PIPE - 3×6×80 -- CLEAR | +TUBO - 3×6×80 -- TRANSPARENTE |
| | V471003710 | 1 | +PIPE - 3×5×67 -- BLACK | +TUBO - 3×5×67 -- NEGRO |
| | A356000031 | 1 | +VENT, FUEL TANK | +RESPIRADERO, TANQUE DE COMBUSTIBLE |
| | 13201326630 | 1 | +CLIP - 6.5 | +GANCHO - 6.5 |
| | V471000110 | 1 | +PIPE - 3×6×115 -- BLACK | +TUBO - 3×6×115 -- NEGRO |
| | 13211555930 | 1 | +GROMMET | +ANILLO DE GOMA |
| | V186000520 | 1 | +CONNECTOR, FUEL PIPE | +CONECTOR, TUBO DE COMBUSTIBLE |
| | V490001240 | 2 | +CLIP - 6 | +GANCHO - 6 |
| | V471003650 | 1 | +PIPE - 3×5×125 -- BLACK | +TUBO - 3×5×125 -- NEGRO |
| | A369000000 | 1 | +FILTER, FUEL | +FILTRO DE COMBUSTIBLE |
| | V107000150 | 1 | +GASKET, CAP | +JUNTA, TAPA |
| | 90146BP | 1 | RePower FUEL SYSTEM KIT | KIT DEL SISTEMA DE CARBURANTE |
| | 13201256030 | 1 | +PIPE - 3×6×80 -- CLEAR | +TUBO - 3×6×80 -- TRANSPARENTE |
| | V471003600 | 1 | +PIPE - 3×5×87 -- BLACK | +TUBO - 3×5×87 -- NEGRO |
| | V490000510 | 1 | +CLIP - BUTTERFLY | +GANCHO, MARIPOSA |
| | V186000500 | 2 | +CONNECTOR, FUEL PIPE | +CONECTOR, TUBO DE COMBUSTIBLE |
| | A356000031 | 1 | +VALVE, CHECK | +RESPIRADERO DE TANQUE |
| | 13201326630 | 1 | +CLIP - 6.5 | +SUJETADOR Ø6.5 |
| | V471000110 | 1 | +PIPE - 3×6×115 -- BLACK | +TUBO 3×6×115 -- NEGRO |
| | 13211555930 | 1 | +GROMMET, FUEL | +ANILLO DE GOMA |
| | V490001240 | 2 | +CLIP - 6 | +SUJETADOR Ø6 |
| | V471003650 | 1 | +PIPE - 3×5×125 -- BLACK | +TUBO - 3×5×125 -- NEGRO |
| | A369000000 | 1 | +FUEL FILTER | +FILTRO DE COMBUSTIBLE |
| | V107000150 | 1 | +GASKET, FUEL CAP | +EMPAQUETADURA DEL TAPA DE COMBUSTIBLE |



| NO. | PART NUMBER | QTY. | DESCRIPTION | DESCRIPCIÓN |
|-----|-------------------|----------|--------------------------------------|---|
| | 90010 | 1 | RePower CAP AND VENT KIT | KIT REPOWER DE TAPA Y RESPIRADERO |
| | ----- | 1 | +CAP | +TAPA |
| | 13101655830 | 1 | +GASKET | +JUNTA |
| | A356000031 | 1 | +VENT, FUEL TANK | +RESPIRADERO, TANQUE DE COMBUSTIBLE |
| | 90248 | 1 | RePower CAP AND VENT KIT | KIT REPOWER DE TAPA Y RESPIRADERO |
| | ----- | 1 | +CAP | +TAPA |
| | V107000150 | 1 | +GASKET | +JUNTA |
| | A356000031 | 1 | +VENT, FUEL TANK | +RESPIRADERO, TANQUE DE COMBUSTIBLE |
| | P021013800 | 1 | GASKET KIT | KIT DE JUNTAS |
| | V100000201 | 1 | +GASKET, CYLINDER | +JUNTA, CILINDRO |
| | V102000030 | 1 | +GASKET, CRANKCASE | +JUNTA, CÁRTER |
| | V103000160 | 1 | +GASKET, INTAKE | +JUNTA, ADMISIÓN |
| | V103000380 | 1 | +GASKET, INTAKE | +JUNTA, ADMISIÓN |
| | V104000790 | 1 | +GASKET, EXHAUST | +JUNTA, ESCAPE |
| | V104000810 | 1 | +SHIELD, EXHAUST | +PROTECTOR, ESCAPE |
| | 90014 | 1 | PIPE - 25 FT BULK 3x5mm BLACK | TUBO 25 PIES AL POR MAYOR 3x5mm NEGRO |
| | 90015 | 1 | PIPE - 25 FT BULK 3x6mm BLACK | TUBO 25 PIES AL POR MAYOR 3x6mm NEGRO |
| | 90017 | 1 | PIPE - 25 FT BULK 3x6mm CLEAR | TUBO 25 PIES AL POR MAYOR 3x6mm TRANSPARENTE |