



Accessories for ECHO products can be found at:

Los accesorios para los productos ECHO se pueden encontrar en:

www.echo-usa.com/products/catalogs



PARTS CATALOG
LISTA DE PIEZAS

HC-2420
Hedge Clipper
HC-2420 Recortadora de cercos



21.2 cc

SERIAL NUMBER
NÚMERO DE SERIE

T77714001001-T77714999999

ECHO, INCORPORATED

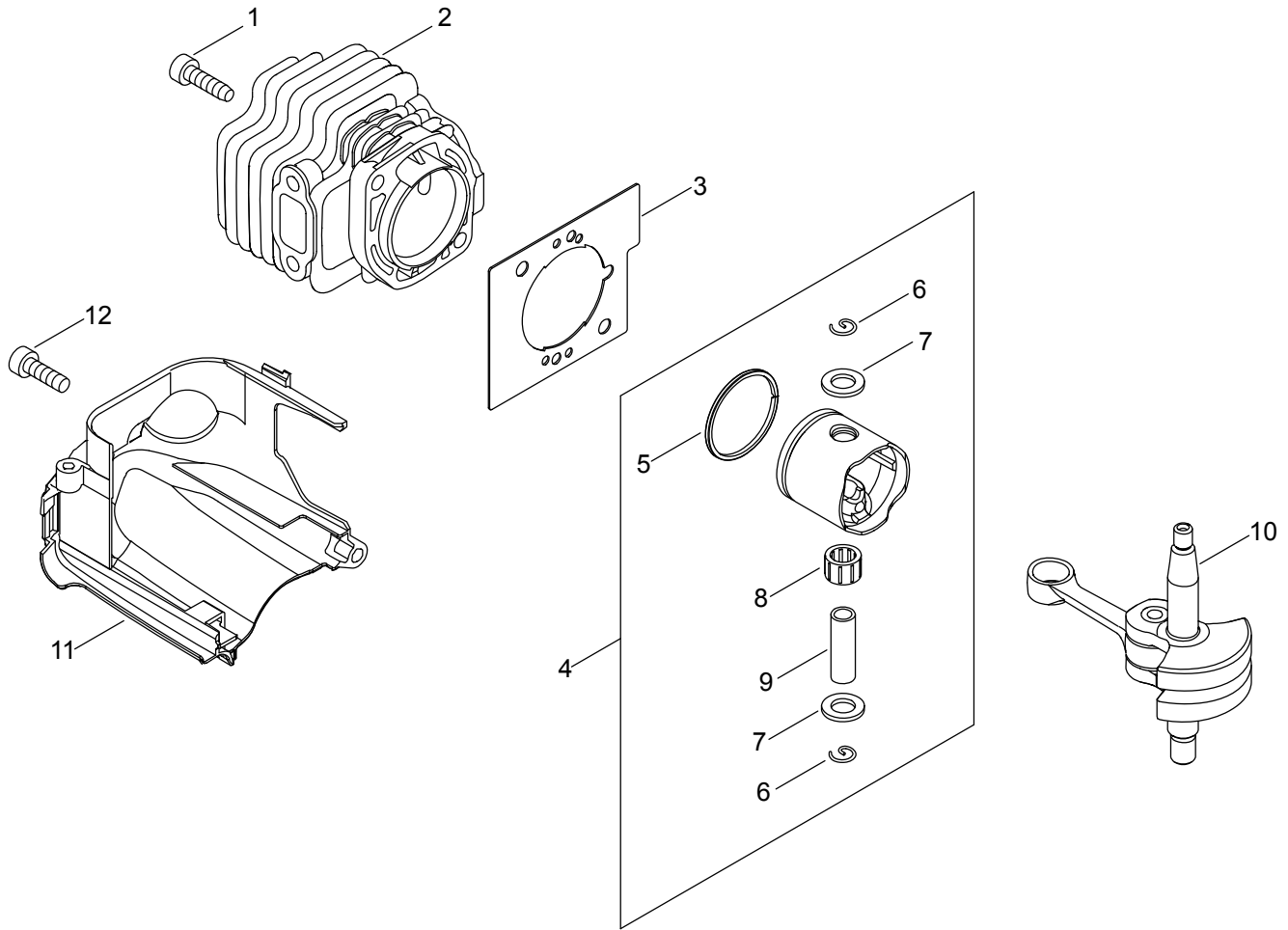
400 Oakwood Road, Lake Zurich, Illinois 60047

WWW.ECHO-USA.COM

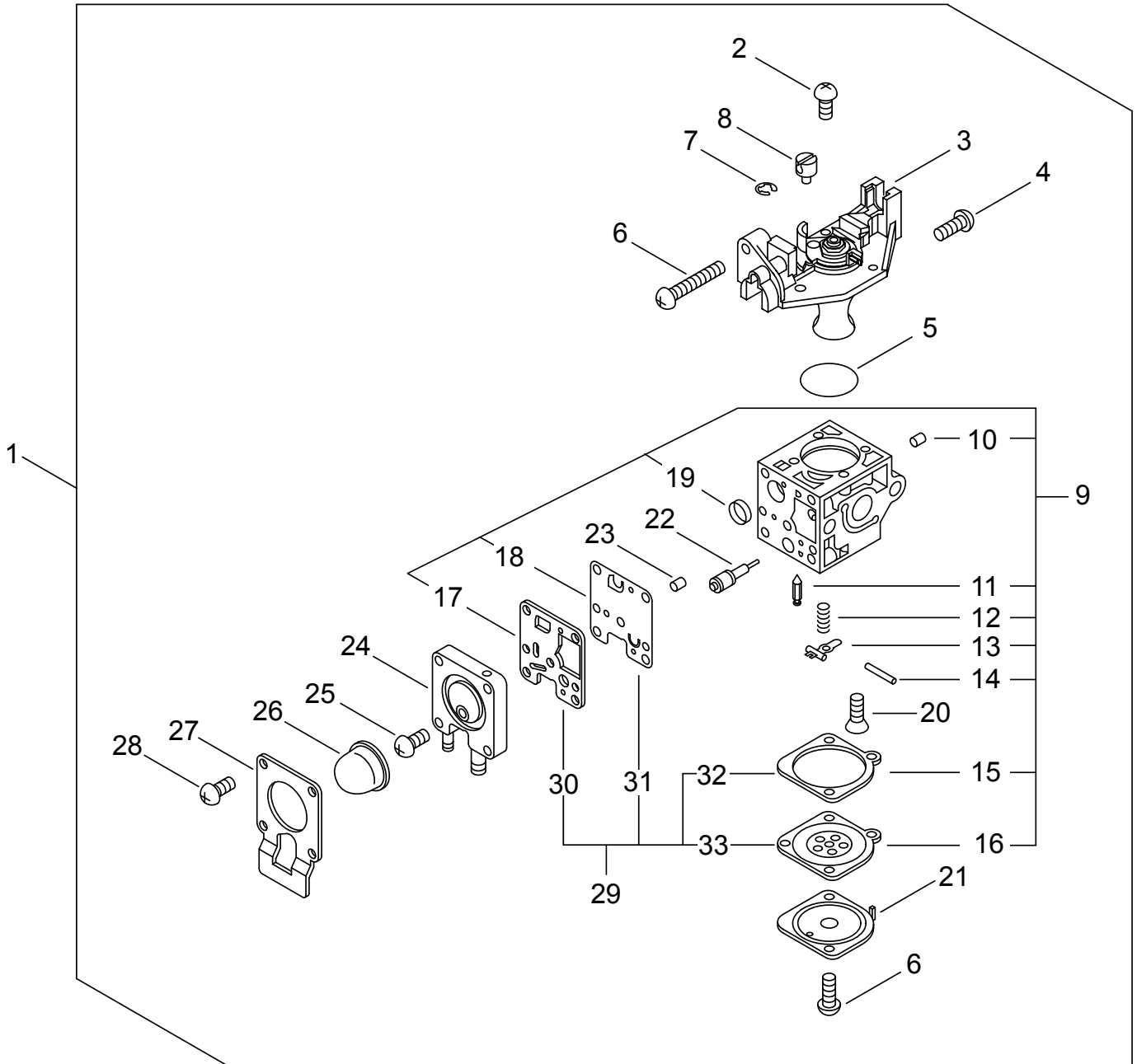
©2015 ECHO, Incorporated. All Rights Reserved

P/N 99922204302
REVISED 06/02/15

| | |
|--|-----------|
| Engine | 3 |
| Motor | |
| Carburetor | 4 |
| Carburador | |
| Carburetor | 5 |
| Carburador | |
| Crankcase | 6 |
| Cárter | |
| Intake | 7 |
| Admisión | |
| Exhaust | 8 |
| Escape | |
| Starter | 9 |
| Arrancador | |
| Ignition | 10 |
| Encendido | |
| Fuel System | 11 |
| Sistema de combustible | |
| Handles, Throttle Control | 12 |
| Mangos, Control del Acelerador | |
| Handles, Throttle Control | 13 |
| Mangos, Control del Acelerador | |
| Gear Case | 14 |
| Caja de Engranajes | |
| Gear Case | 15 |
| Caja de Engranajes | |
| Blades | 16 |
| Cuchillas | |
| RePower Maintenance Kits | 17 |
| Juegos de mantenimiento RePower | |

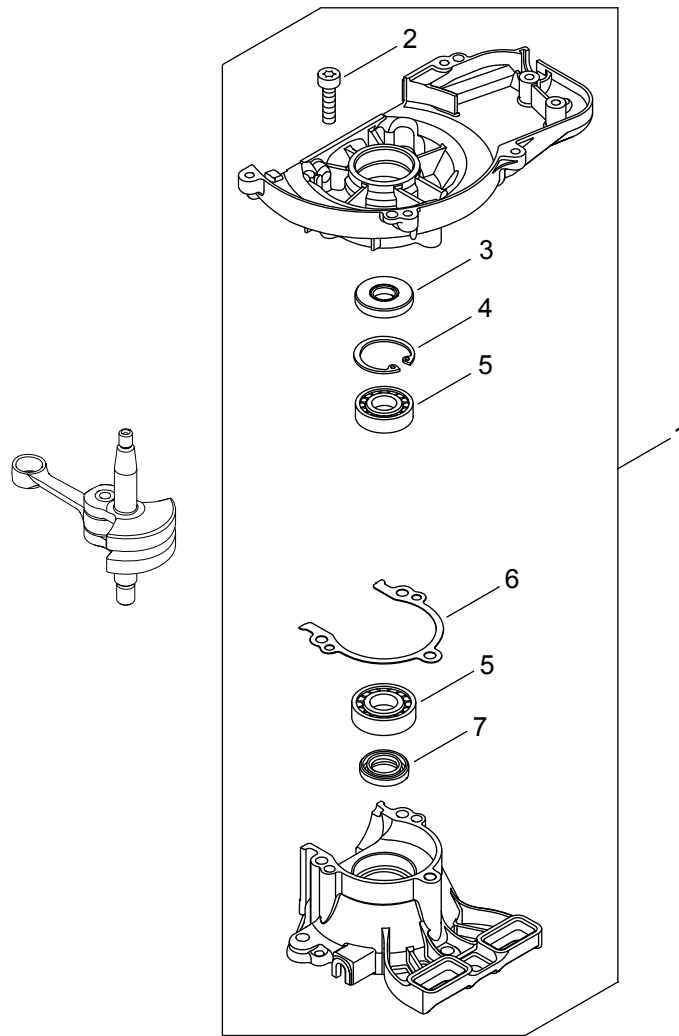


| NO. | PART NUMBER | QTY. | DESCRIPTION | DESCRIPCIÓN |
|-----|-------------------|------|----------------------|---------------------------|
| 1 | V805000210 | 2 | BOLT, TORX 5 | PERNO TORX 5×20 |
| 2 | A130001960 | 1 | CYLINDER | CILINDRO |
| 3 | V100000720 | 1 | GASKET,CYL | EMPAQUETADURA DE CILINDRO |
| 4 | P021037930 | 1 | PISTON KIT | JUEGO DE PISTÓN |
| 5 | A101000090 | 1 | +RING,PISTON | +ANILLO DEL PISTÓN |
| 6 | 10001504630 | 2 | +CIRCLIP, PISTON PIN | +ANILLO RETENEDOR |
| 7 | 10001408960 | 2 | +SPACER, PISTON PIN | +ARANDELA DE EMPUJE |
| 8 | 10011305930 | 1 | +BEARING, NEEDLE | +COJINETE DE AGUJAS |
| 9 | V606000020 | 1 | +PIN,ENG 8 | +PASADOR DEL PISTÓN 8 |
| 10 | A011001360 | 1 | CRANKSHAFT,ASY | MONTAJE DE CIGÜEÑAL |
| 11 | A160002940 | 1 | COVER,CYLINDER | CUBIERTA DEL CILINDRO |
| 12 | V805000150 | 1 | BOLT, TORX 5 | PERNO TORX 5×16 |

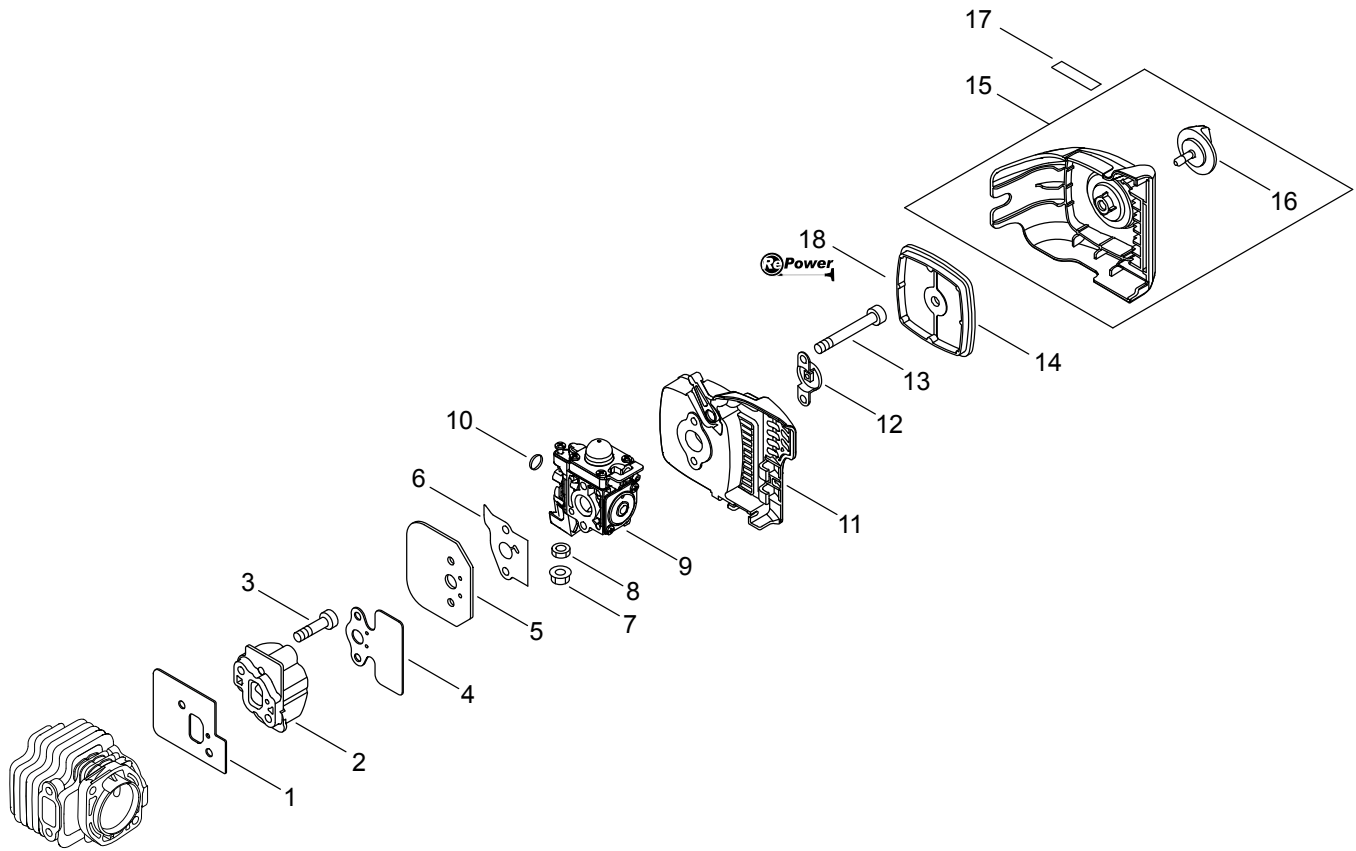




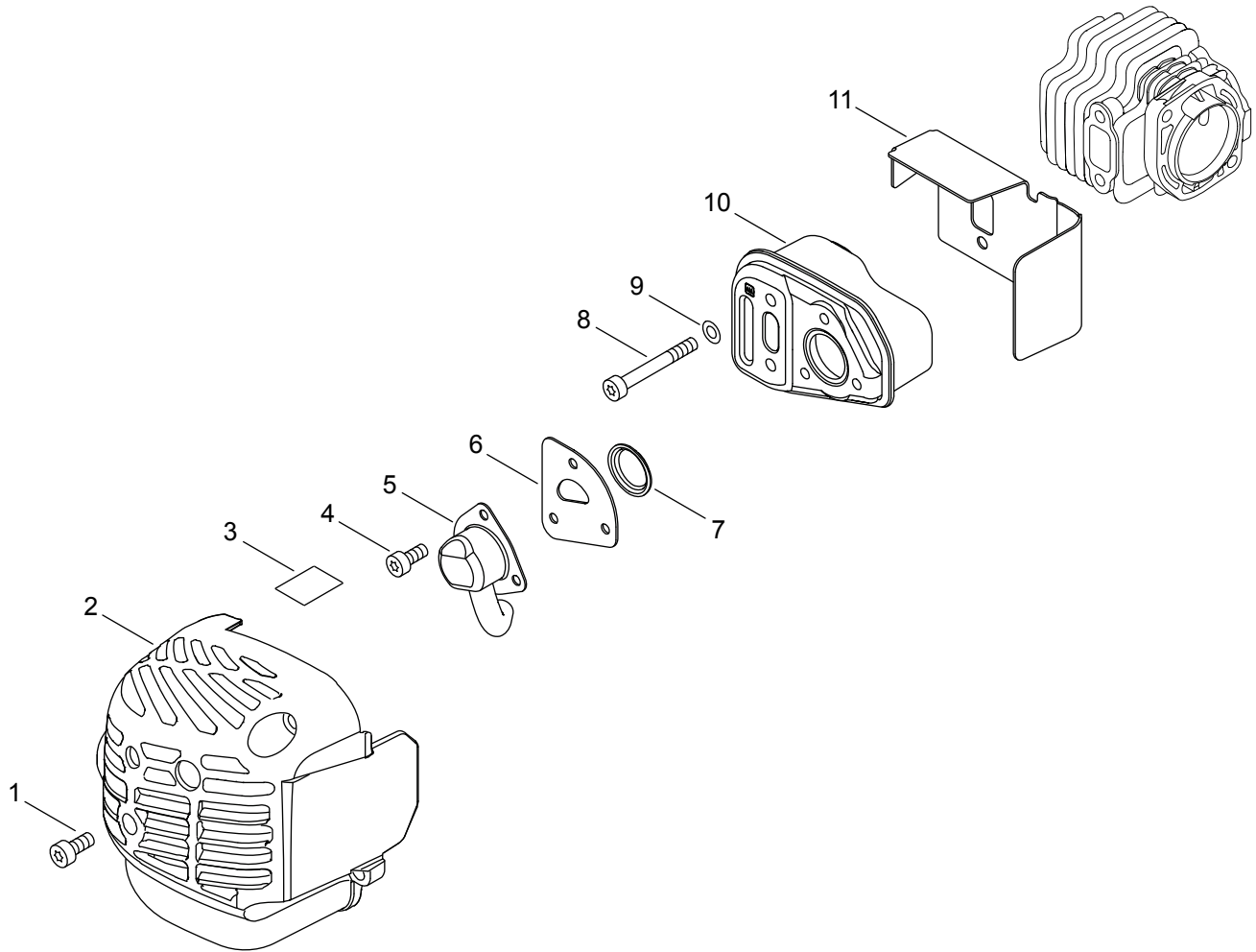
| NO. | PART NUMBER | QTY. | DESCRIPTION | DESCRIPCIÓN |
|-----|-------------------|----------|--------------------------------|--|
| 1 | A021004231 | 1 | CARBURETOR -- RB-K119 | CARBURADOR -- RB-K119 |
| 2 | 12534413931 | 3 | +SCREW | +TORNILLO |
| 3 | P005002050 | 1 | +COVER ASY, ROTOR | +MONTAJE DE CUBIERTA DE ROTOR |
| 4 | 12534452130 | 3 | +SCREW | +TORNILLO |
| 5 | P005000280 | 1 | +O-RING | +JUNTA TÓRICA |
| 6 | P005000100 | 1 | +SCREW,THROTTLEADJUST | +TORNILLO AJUSTE DE TENSION DEL ACELERADOR |
| 7 | P005000190 | 1 | +E-RING | +RETENEDOR TIPO "E" |
| 8 | P005002200 | 1 | +POST | +CONECTOR GIRATORIO |
| 9 | P005002270 | 1 | +REPAIR KIT, CARBURETOR | +JUEGO DE REPARACIÓN DE CARBURADOR |
| 10 | | 1 | ++ROLLER, GUIDE | ++GUÍA DE RODILLO |
| 11 | | 1 | ++VALVE, INLET NEEDLE | ++VÁLVULA REGULADORA |
| 12 | | 1 | ++SPRING, METER. LEVER | ++RESORTE PALANCA DE MEDICIÓN |
| 13 | | 1 | ++ARM, VALVE | ++PALANCA DE MEDICIÓN |
| 14 | | 1 | ++PIN, METERING ARM | ++PASADOR DE PALANCA DE MEDICIÓN |
| 15 | | 1 | ++GASKET, METERING | ++EMPAQUETADURA DIAFRAGMA DE MEDICIÓN |
| 16 | | 1 | ++DIAPHRAGM ,METERING | ++DIAFRAGMA DE MEDICIÓN |
| 17 | | 1 | ++GASKET, PUMP | ++EMPAQUETADURA DE LA BOMBA |
| 18 | | 1 | ++DIAPHRAGM, PUMP | ++DIAFRAGMA DE LA BOMBA |
| 19 | | 1 | ++STRAINER | ++MALLA FILTRADORA |
| 20 | 12533942030 | 1 | +SCREW | +TORNILLO |
| 21 | 12534252130 | 1 | +COVER, DIAPHRAGM | +TAPA DE DIAFRAGMA DE MEDICIÓN |
| 22 | P005001260 | 1 | +SCREW,MAINN MIXTURE | +AGUJA DE REGULACION ALTA (H) |
| 23 | P005001270 | 1 | +PLUG, HIGH SPEED NEEDLE | +TAPÓN |
| 24 | P005001890 | 1 | +BASE, ASY PRIMER | +MONTAJE DE CUERPO PURGACIÓN |
| 25 | P005000270 | 1 | +SCREW | +TORNILLO |
| 26 | P005003110 | 1 | +PUMP, PRIMER | +BULBO DE PURGA |
| 27 | P005000250 | 1 | +RETAINER | +SUJETADOR DE BULBO DE PURGA |
| 28 | P005001900 | 4 | +SCREW | +TORNILLO |
| 29 | P005002280 | 1 | +DIAPHRAGM/GASKET KIT | +KIT DE DIAFRAGMA/JUNTA |
| 30 | | 1 | ++GASKET, PUMP | ++EMPAQUETADURA DE LA BOMBA |
| 31 | | 1 | ++DIAPHRAGM, PUMP | ++DIAFRAGMA DE LA BOMBA |
| 32 | | 1 | ++GASKET, METERING | ++EMPAQUETADURA DIAFRAGMA DE MEDICIÓN |
| 33 | | 1 | ++DIAPHRAGM ,METERING | ++DIAFRAGMA DE MEDICIÓN |



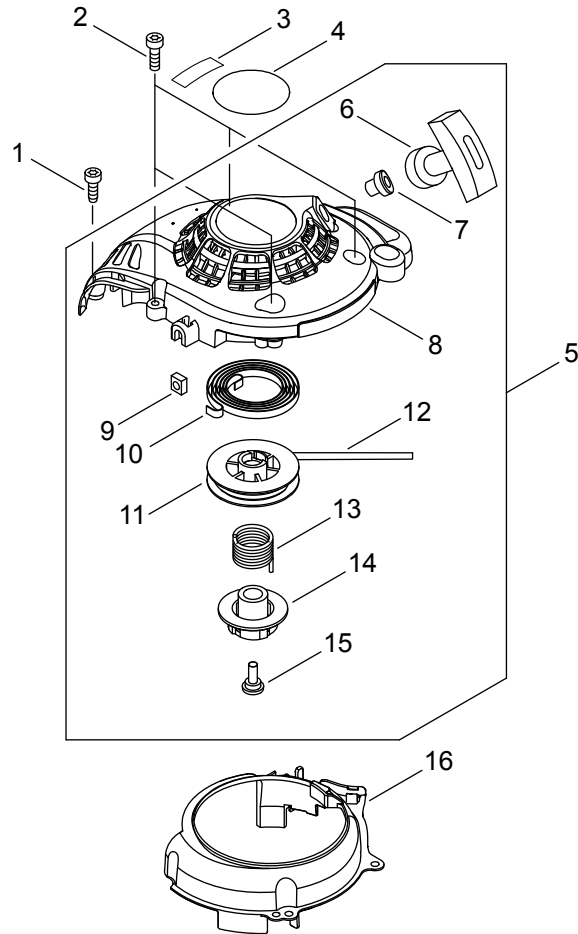
| NO. | PART NUMBER | QTY. | DESCRIPTION | DESCRIPCIÓN |
|-----|-------------|------|-------------------|--------------------------|
| 1 | P021046110 | 1 | CRANKCASE SET | JUEGO DE CÁRTER |
| 2 | V805000220 | 3 | +BOLT, TORX 5 | +PERNO TORX 5×25 |
| 3 | 10021361830 | 1 | +OILSEAL | +SELLO DE ACEITE |
| 4 | 90070200026 | 1 | +CIRCLIP 26 | +ANILLO RETENEDOR 26 |
| 5 | 90081036000 | 2 | +BEARING, BALL | +COJINETE DE BALINES |
| 6 | V102000240 | 1 | +GASKET,CRANKCASE | +EMPAQUETADURA DE CÁRTER |
| 7 | 10021261830 | 1 | +OILSEAL | +SELLO DE ACEITE |



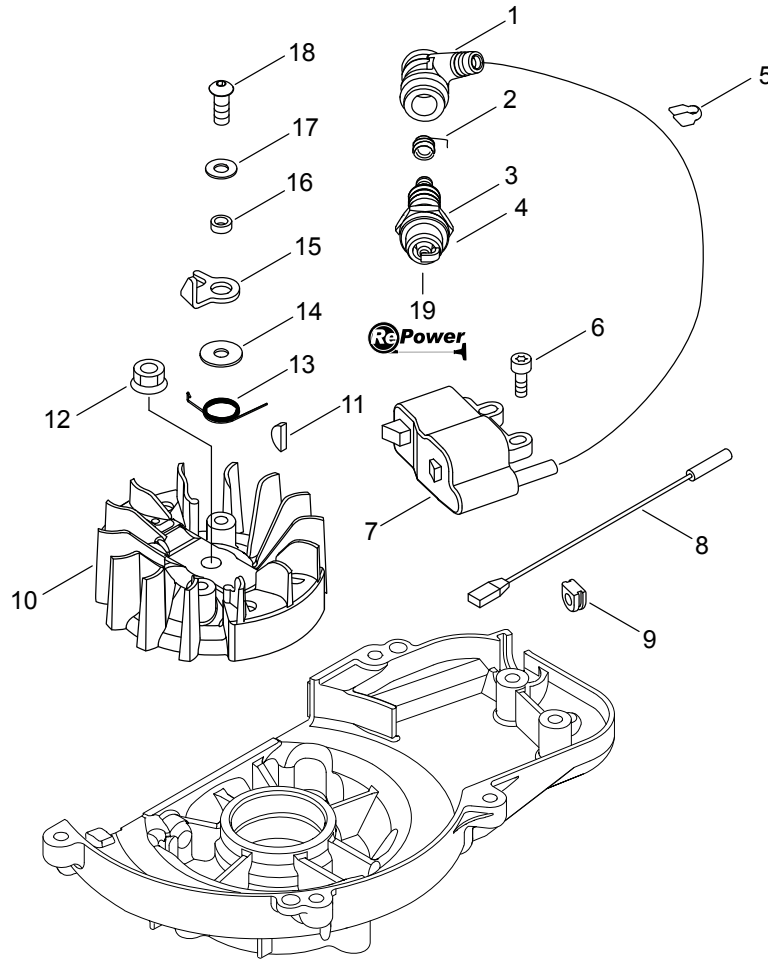
| NO. | PART NUMBER | QTY. | DESCRIPTION | DESCRIPCIÓN |
|-----|-------------------|------|-----------------------------|---|
| 1 | V103001401 | 1 | GASKET,INTAKE | EMPAQUETADURA DE ADMISIÓN |
| 2 | A200000941 | 1 | INSULATOR, INTAKE | AISLADOR DE ADMISIÓN |
| 3 | V805000170 | 2 | BOLT, TORX 5 | PERNO TORX 5x25 |
| 4 | V103001730 | 1 | GASKET,INTAKE | JOINT D'ADMISSION |
| 5 | A209000610 | 1 | PLATE, INSULATOR | PLACA AISLANTE |
| 6 | V103001740 | 1 | GASKET,INTAKE | JOINT D'ADMISSION |
| 7 | 90051800006 | 1 | NUT, FLANGE | TUERCA-BRIDA 6 |
| 8 | 90050200006 | 1 | NUT 6 (3N) | TUERCA M6 |
| 9 | A021004231 | 1 | CARBURETOR,DIAPHRAGM | CARBURADOR |
| 10 | V490001100 | 1 | CLIP | SUJETADOR |
| 11 | P021046090 | 1 | CASE,CLEANER | CAJA DEL FILTRO DE AIRE |
| 12 | A244000070 | 1 | PLATE,PREVENT | PLACA DE PREVENCIÓN |
| 13 | V805000100 | 2 | BOLT, TORX 5 | PERNO TORX 5x65 |
| 14 | A226001410 | 1 | ELEMENT,AIR FILTER | FILTRO DE AIRE - CAPA DOBLE |
| 15 | P021049130 | 1 | CLEANER COVER ASY | MONTAJE DE CAJA DEL FILTRO DE AIRE |
| 16 | V299000610 | 1 | +KNOB,FASTENER | +PERILLA DE FIJACIÓN |
| 17 | 89033252730 | 1 | LABEL, CHOKE | ETIQUETA DEL ESTRANGULADOR |
| 18 | 90008 | 1 | FILTER KIT - REPOWER | JUEGO DE FILTRO - REPOWER |



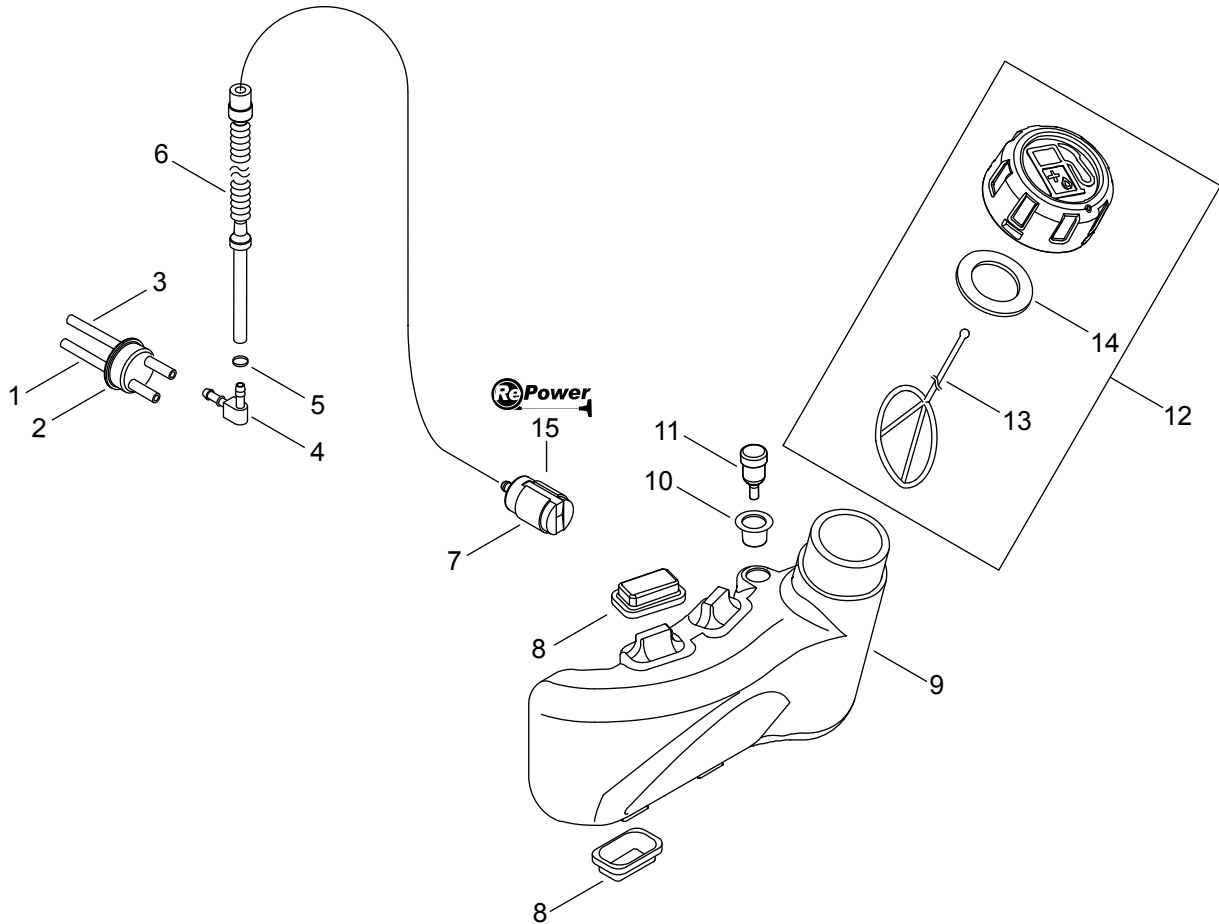
| NO. | PART NUMBER | QTY. | DESCRIPTION | DESCRIPCIÓN |
|-----|-------------|------|------------------|---------------------------------|
| 1 | V805000320 | 2 | BOLT, TORX 5 | PERNO TORX 5 |
| 2 | A320001120 | 1 | COVER,MUFFLER | CUBIERTA DEL SILENCIADOR |
| 3 | X505002310 | 1 | LABEL,CAUTION | ETIQUETA DE PRECAUCIÓN CALIENTE |
| 4 | V804000030 | 3 | BOLT, TORX 4 | PERNO TORX 4x8 |
| 5 | A313001990 | 1 | GUIDE, EXHAUST | GUÍA DE ESCAPE |
| 6 | V104002180 | 1 | GASKET,EXHAUST | EMPAQUETADURA DE ESCAPE |
| 7 | A310000470 | 1 | SCREEN, ARRESTOR | PANTALLA DEL GUARDACHISPAS |
| 8 | V805000190 | 2 | BOLT, TORX 5 | PERNO TORX 5x55 |
| 9 | 90060300005 | 2 | WASHER 5 | ARANDELA 5.5x12x0.8 |
| 10 | A300001860 | 1 | MUFFLER | SILENCIADOR |
| 11 | V104002190 | 1 | GASKET,EXHAUST | EMPAQUETADURA DE ESCAPE |



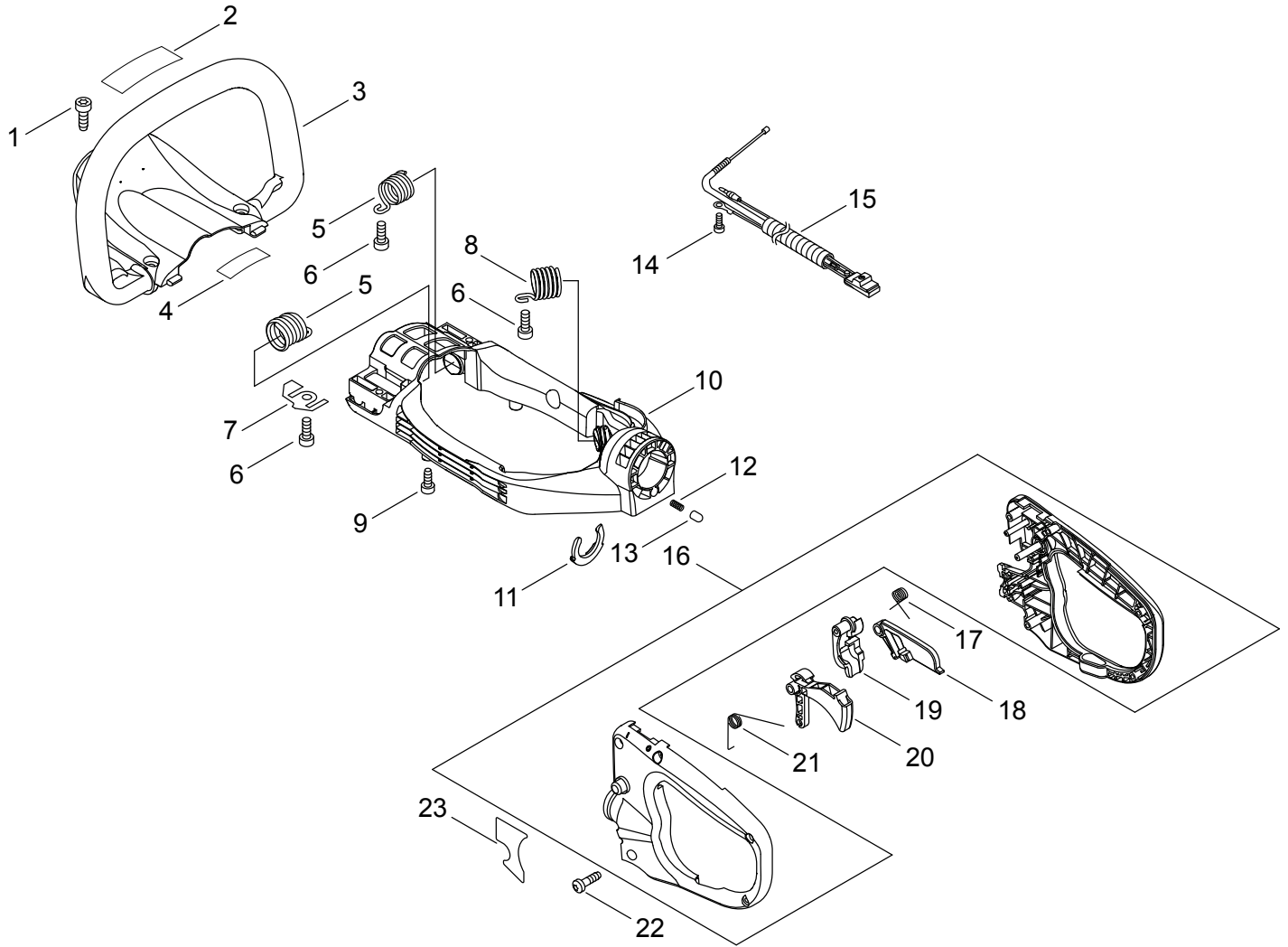
| NO. | PART NUMBER | QTY. | DESCRIPTION | DESCRIPCIÓN |
|-----|-------------------|------|--------------------|-------------------------------|
| 1 | V804000010 | 1 | BOLT, TORX 4 | PERNO TORX 4 |
| 2 | V804000060 | 4 | BOLT, TORX 4 | PERNO TORX 4x16 |
| 3 | X543004580 | 1 | LABEL, MODEL | ETIQUETA MODELO |
| 4 | X502000330 | 1 | LABEL, ECHO | ETIQUETA ECHO |
| 5 | A051002791 | 1 | STARTER ASY | CONJUNTO DE ARRANCADOR |
| 6 | 17722827030 | 1 | +GRIP, STARTER | +AGARRE DEL ARRANCADOR |
| 7 | 17722742030 | 1 | +GUIDE, ROPE | +GUÍA DE CUERDA |
| 8 | P022036941 | 1 | +CASE, STARTER | +CAJA DEL ARRANCADOR |
| 9 | 90056500005 | 1 | +NUT | +TUERCA 5 |
| 10 | 17722042030 | 1 | +SPRING, REWIND | +RESORTE RECULAR |
| 11 | P022027980 | 1 | +DRUM, STARTER | +CARRETE DEL CABLE |
| 12 | P022008260 | 1 | +ROPE | +CUERDA DEL ARRANCADOR 3x700 |
| 13 | P022008270 | 1 | +SPRING,DAMPER | +RESORTE DE TORSIÓN |
| 14 | P022037310 | 1 | +PLATE, CAM | +PLACA DE LEVA |
| 15 | 17723661830 | 1 | +SCREW | +TORNILLO |
| 16 | A172002610 | 1 | COVER,FAN | CAJA DE VENTILADOR |



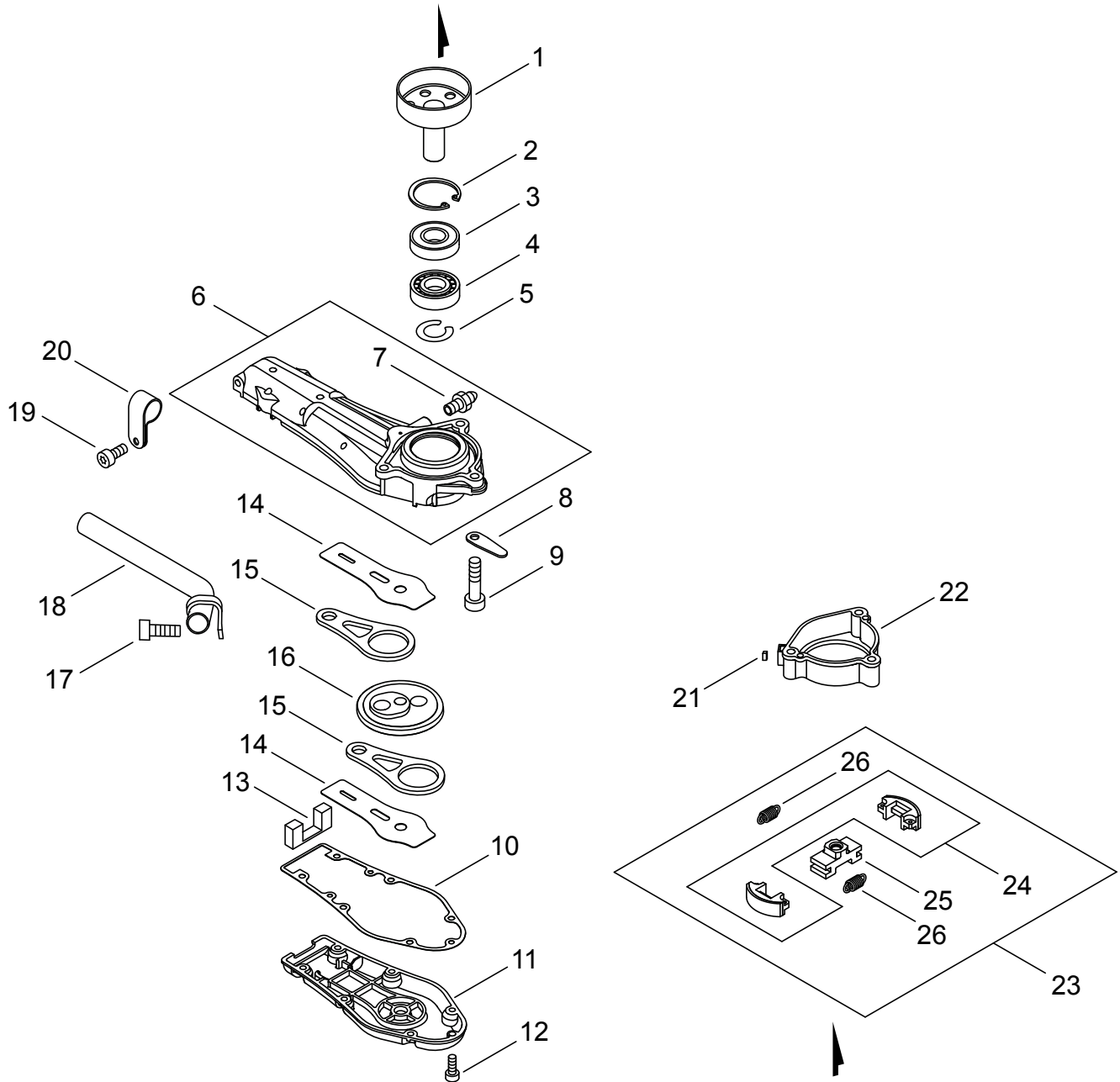
| NO. | PART NUMBER | QTY. | DESCRIPTION | DESCRIPCIÓN |
|-----|-------------|------|-----------------------|--------------------------|
| 1 | A427000013 | 1 | CAP, SPARK PLUG | TAPA DE BUJÍA |
| 2 | A426000010 | 1 | TERMINAL, SPARKPLUG | TERMINAL DE BUJÍA |
| 3 | 15901019830 | 1 | PLUG, SPARK BPM8Y | BUJÍA BPM8Y |
| 4 | A425000000 | 1 | PLUG, SPARK BPMR8Y | BUJÍA BPMR8Y |
| 5 | X532000671 | 1 | LABEL, OPERATION | ETIQUETA DE BUJÍA BPM8Y |
| 6 | V804000060 | 2 | BOLT, TORX 4 | PERNO TORX 4x16 |
| 7 | A411001490 | 1 | COIL, IGNITION | BOBINA DE ENCENDIDO |
| 8 | V485001220 | 1 | LEAD | CABLE CONDUCTOR L= 85 mm |
| 9 | V135000150 | 1 | GROMMET, HT CORD | OJAL DE CABLE |
| 10 | A409001120 | 1 | ROTOR, MAGNETO | VOLANTE |
| 11 | 10014212330 | 1 | KEY, WOODRUFF | CHAVETA WOODRUFF |
| 12 | 9210506000 | 1 | NUT, FLANGE | TUERCA-BRIDA |
| 13 | V452001370 | 2 | SPRING, TORSION | RESORTE DE TORSIÓN |
| 14 | 13191103460 | 2 | WASHER | ARANDELA 5.5x16x0.8 |
| 15 | A514000260 | 2 | PAWL | TRINQUETE |
| 16 | 17807010860 | 2 | SPACER | ESPACIADOR |
| 17 | 90060300005 | 2 | WASHER 5 | ARANDELA 5.5x12x0.8 |
| 18 | V203000080 | 2 | BOLT, 5 | PERNO 5x14 |
| 19 | 90162BP | 1 | TUNE-UP KIT - REPOWER | KIT DE PUESTA A PUNTO |



| NO. | PART NUMBER | QTY. | DESCRIPTION | DESCRIPCIÓN |
|-----|-------------------|------|------------------------------|---|
| 1 | 13201049730 | 1 | PIPE 3×6×85 | TUBO DE COMBUSTIBLE 3×6×85 TRANSPARENTE |
| 2 | 13211544330 | 1 | GROMMET | OJAL DE COMBUSTIBLE |
| 3 | V471004060 | 1 | PIPE | TUBO DE COMBUSTIBLE 3×5×83 |
| 4 | V186000500 | 1 | JOINT,PIPE | CONECTOR DE TUBO Ø5.4 |
| 5 | V490001230 | 1 | CLIP | SUJETADOR Ø6.5MM |
| 6 | V471003510 | 1 | PIPE | TUBO DE COMBUSTIBLE 125MM |
| 7 | 13120507321 | 1 | STRAINER, FUEL | FILTRO DE COMBUSTIBLE |
| 8 | V420004490 | 4 | CUSHION | AMORTIGUADOR |
| 9 | A350001952 | 1 | TANK, FUEL | TANQUE DE COMBUSTIBLE |
| 10 | V137000000 | 1 | GROMMET,FUEL | OJAL DE COMBUSTIBLE |
| 11 | A356000031 | 1 | VALVE,CHECK | VÁLVULA DE RESPIRADERO |
| 12 | P021049140 | 1 | FUEL CAP ASY | MONTAJE DE TAPA DE COMBUSTIBLE |
| | A365000060 | 1 | +CONNECTOR,CAP | +CONECTOR DE TAPA L= 123 |
| | V107000150 | 1 | +GASKET,FUEL CAP | +EMPAQUETADURA DEL TAPA DE COMBUSTIBLE |
| 15 | 90008 | 1 | FILTER KIT - REPOWER | JUEGO DE FILTRO - REPOWER |
| 15 | 90162BP | 1 | TUNE-UP KIT - REPOWER | KIT DE PUESTA A PUNTO |

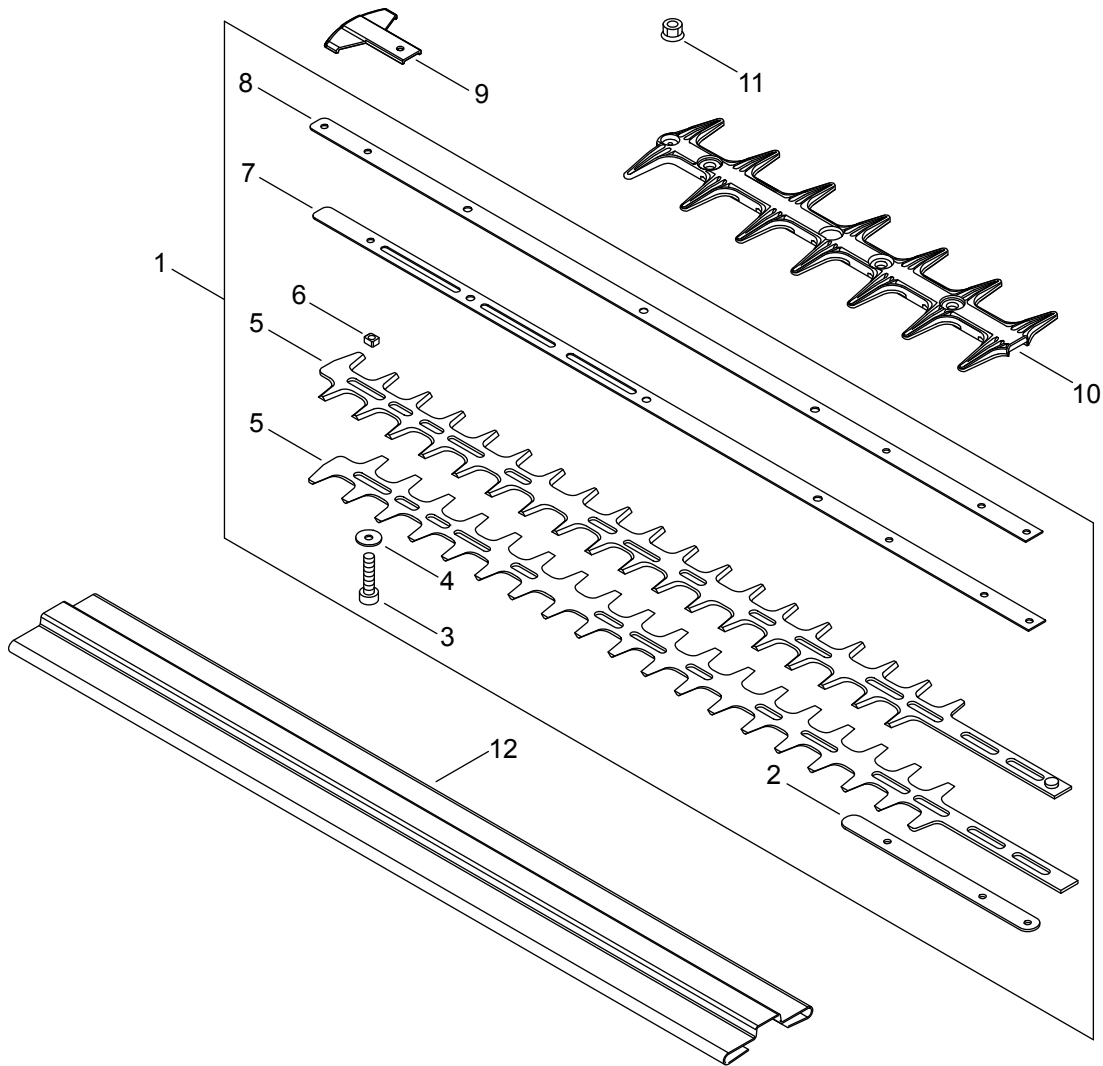


| NO. | PART NUMBER | QTY. | DESCRIPTION | DESCRIPCIÓN |
|-----|-------------|------|--------------------|------------------------------|
| 1 | V805000010 | 2 | BOLT, TORX 5 | PERNO TORX 5x20 |
| 2 | X505002610 | 1 | LABEL,CAUTION | ETIQUETA DE PRECAUCIÓN ISO |
| 3 | C040000030 | 1 | HANDLE, FRONT | MANGO DELANTERO |
| 4 | X505000290 | 1 | LABEL,CAUTION | ETIQUETA DE PRECAUCIÓN |
| 5 | V450001920 | 2 | SPRING,COMPRESSION | RESORTE DE COMPRESIÓN |
| 6 | V805000150 | 4 | BOLT, TORX 5 | PERNO TORX 5x16 |
| 7 | V150003890 | 1 | PLATE,EYE | PLACA |
| 8 | V450001910 | 2 | SPRING,COMPRESSION | RESORTE DE COMPRESIÓN |
| 9 | V805000240 | 2 | BOLT, TORX 5 | PERNO TORX 5x12 |
| 10 | C600001590 | 1 | FRAME | ARMAZÓN |
| 11 | C423000980 | 1 | FIXTURE, HANDLE | ABRAZADERA DE MANGO |
| 12 | V450000630 | 1 | SPRING,COMPRESSION | RESORTE DE COMPRESIÓN |
| 13 | 60561113360 | 1 | PIN | PASADOR DE HORQUILLA |
| 14 | V804000040 | 1 | BOLT, TORX 4 | PERNO TORX 4x10 |
| 15 | P021049150 | 1 | CONTROL CABLE ASY | CONJUNTO DE CABLE DE CONTROL |
| 16 | P021046150 | 1 | HANDLE SET, REAR | JUEGO DE MANGO TRASERO |
| 17 | V452000310 | 1 | SPRING,TORSION | RESORTE DE TORSIÓN |
| 18 | C460000090 | 1 | LOCKOUT, THROTTLE | SEGURO DEL ACELERADOR |
| 19 | C427000020 | 1 | STOPPER, HANDLE | TRABA, MANGO |
| 20 | C450000250 | 1 | CONTROL, THROTTLE | GATILLO DEL ACELERADOR |
| 21 | V452000300 | 1 | SPRING,TORSION | RESORTE DE TORSIÓN |
| 22 | V804000010 | 5 | BOLT, TORX 4 | PERNO TORX 4 |
| 23 | X532000800 | 1 | LABEL,OPERATION | ETIQUETA |





| NO. | PART NUMBER | QTY. | DESCRIPTION | DESCRIPCIÓN |
|-----------|-------------------|----------|--------------------|--------------------------------------|
| 1 | A556001630 | 1 | DRUM, CLUTCH | TAMBOR EMBRAGUE |
| 2 | 90070200035 | 1 | CIRCLIP 35 | ANILLO RETENEDOR 35 |
| 3 | 90081206202 | 1 | BEARING, BALL 6202 | COJINETE DE BALINES 6202 DDU |
| 4 | 90081036202 | 1 | BEARING, BALL 6202 | COJINETE DE BALINES 6202 |
| 5 | 90070100014 | 1 | CIRCLIP 14 | ANILLO RETENEDOR 14 |
| 6 | P021013070 | 1 | CASE,GEAR | CAJA DE ENGRANAJES |
| 7 | 88011010860 | 1 | +NIPPLE, GREASE | +GRASERA |
| 8 | C628000160 | 1 | PIECE, PLATE | PLACA, PIEZA |
| 9 | V806000140 | 3 | BOLT, TORX 6 | PERNO TORX 6 |
| 10 | V110000060 | 1 | GASKET,GEAR CASE | EMPAQUETADURA DEL CAJA DE ENGRANAJES |
| 11 | C539000021 | 1 | LID,GEARCASE | TAPA CAJA DE ENGRANAJES |
| 12 | V804000060 | 6 | BOLT, TORX 4 | PERNO TORX 4x16 |
| 13 | V541000140 | 1 | SEAL | SELLO |
| 14 | V150001810 | 2 | PLATE,EYE | PLACA |
| 15 | C532000170 | 2 | ROD, CONNECTING | BIELA |
| 16 | V650000300 | 1 | GEAR,SPUR | ENGRANAJE RECTO |
| 17 | V805000130 | 1 | BOLT, TORX 5 | PERNO TORX 5x10 |
| 18 | A313002000 | 1 | GUIDE, EXHAUST | GUÍA DE ESCAPE |
| 19 | V804000040 | 1 | BOLT, TORX 4 | PERNO TORX 4x10 |
| 20 | A319000510 | 1 | STAY, MUFFLER | SOPORTE DEL SILENCIADOR |
| 21 | 90056500005 | 1 | NUT | TUERCA 5 |
| 22 | A570000320 | 1 | CASE,CLUTCH | CAJA DEL EMBRAGUE |
| 23 | A056000750 | 1 | CLUTCH ASY | MONTAJE DE EMBRAGUE |
| 24 | P021046120 | 1 | +CLUTCH SHOE SET | +JUEGO DE ZAPATA DE EMBRAGUE |
| 25 | A552000400 | 1 | +HUB, CLUTCH | +CUBO DEL EMBRAGUE |
| 26 | A566000000 | 2 | +SPRING, CLUTCH | +RESORTE DEL EMBRAGUE |



| NO. | PART NUMBER | QTY. | DESCRIPTION | DESCRIPCIÓN |
|-----|-------------|------|-----------------|-------------------------|
| 1 | X041000540 | 1 | CUTTER,ASM | MONTAJE DE CUCHILLA |
| 2 | V150001800 | 1 | +PLATE,EYE | +PLACA |
| 3 | V805000170 | 7 | +BOLT, TORX 5 | +PERNO TORX 5x25 |
| 4 | V303000290 | 4 | +WASHER | +ARANDELA |
| 5 | X412000670 | 2 | +BLADE, TRIMMER | +CUCHILLA, RECORTADORA |
| 6 | V353000250 | 7 | +COLLAR | +GUÍA DE CUCHILLA 5 |
| 7 | X425000380 | 1 | +SUPPORT,CUTTER | +SOPORTE DE LA CUCHILLA |
| 8 | X425000370 | 1 | +SUPPORT,CUTTER | +SOPORTE DE LA CUCHILLA |
| 9 | E278000220 | 1 | TIP GUARD | PROTECTORE DE PUNTA |
| 10 | X431000210 | 1 | GUARD | PROTECTOR |
| 11 | 9210805000 | 5 | NUT, FLANGE | TUERCA-BRIDA M5 |
| 12 | X495000550 | 1 | SCABBARD,BLADE | FUNDA |

| NO. | PART NUMBER | QTY. | DESCRIPTION | DESCRIPCIÓN |
|-----|----------------|----------|-----------------------------|----------------------------------|
| | 90008 | 1 | RePower FILTER KIT | JUEGO DE FILTRO - REPOWER |
| | A226001410 | 1 | +FILTER, AIR - DOUBLE LAYER | +FILTRO DE AIRE - CAPA DOBLE |
| | 13120507321 | 1 | +FILTER, FUEL | +FILTRO DE COMBUSTIBLE |
| | 90162BP | 1 | RePower TUNE-UP KIT | KIT DE PUESTA A PUNTO |
| | A226001410 | 1 | +FILTER, AIR | +FILTRO DE AIRE |
| | A369000480 | 1 | +FILTER, FUEL | +FILTRO DE COMBUSTIBLE |
| | A425000000 | 1 | +SPARK PLUG -- BPMR8Y | +BUJÍA -- BPMR8Y |