



---

**PARTS CATALOG**  
**SHC-260 Shaft Hedge**  
**Clipper**

**25.4cc**

**SERIAL NUMBERS**

---

S/N: 05001001 - 05999999

---

***ECHO, INCORPORATED***

400 Oakwood Road Lake Zurich, Illinois 60047 USA

WWW.ECHO-USA.COM



# Table of Contents

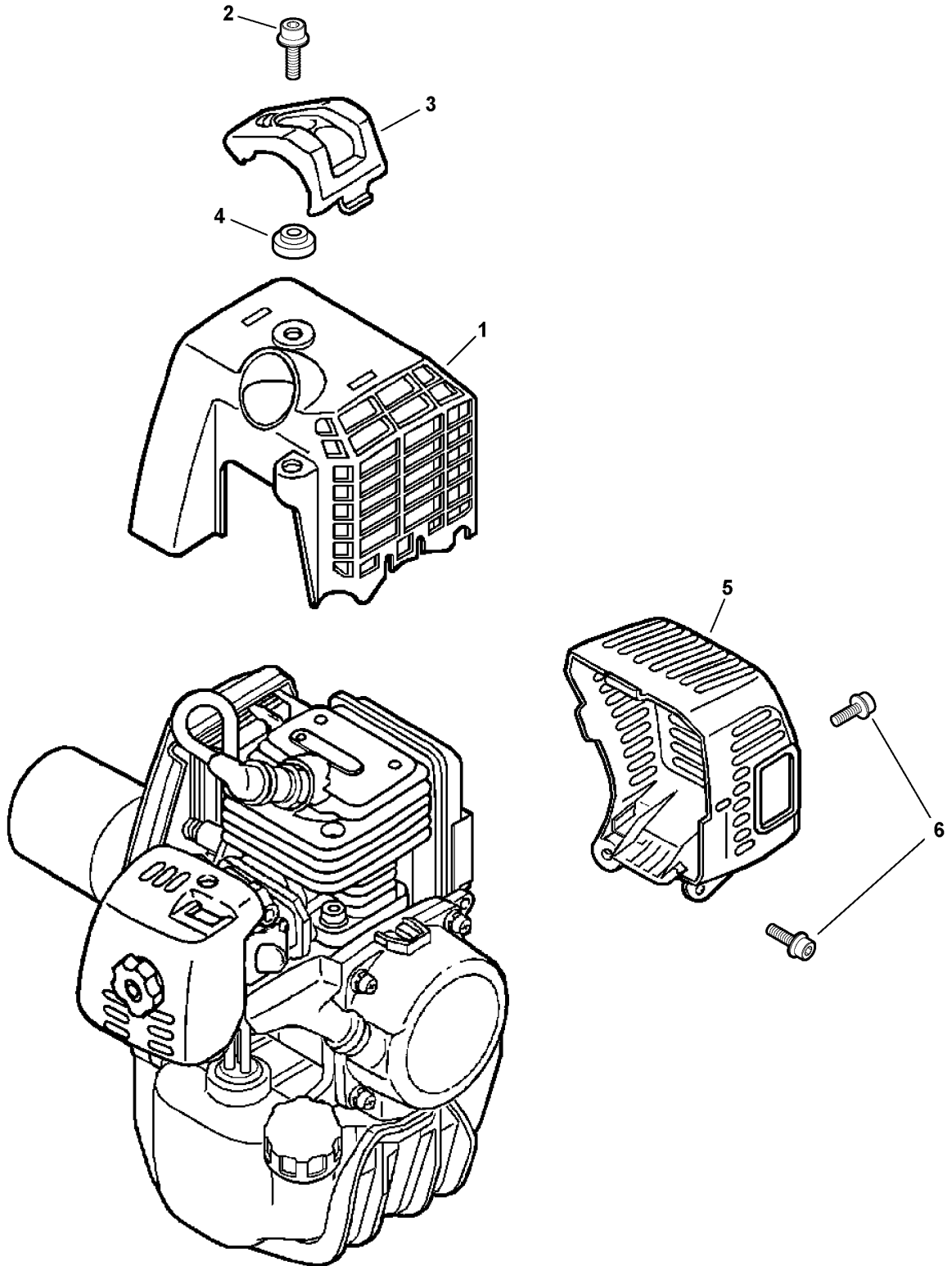
---

Click Any Diagram Description Below To View That Diagram.

## **SHC-260 S/N: 05001001 - 05999999**

Engine Cover, Exhaust Cover.....	4
Fuel System.....	6
Fan Case, Clutch.....	8
Starter -- Standard.....	10
Intake.....	12
Carburetor - WYJ-315A S/N 05001001 - 05003456.....	14
Carburetor -- WYK-186 S/N: 05003457 - 05999999.....	16
Exhaust.....	18
Ignition.....	20
Engine, Short Block -- SB1060.....	22
Gear Case.....	24
Cutting Blades.....	26
Main Pipe Asy, Flexible Driveshaft.....	28
Control Handle, Throttle Cable, Ignition Switch.....	30
Labels.....	32
Gasket Kit.....	34
Tools.....	36
Part Number Index.....	38
Part Description Index.....	39

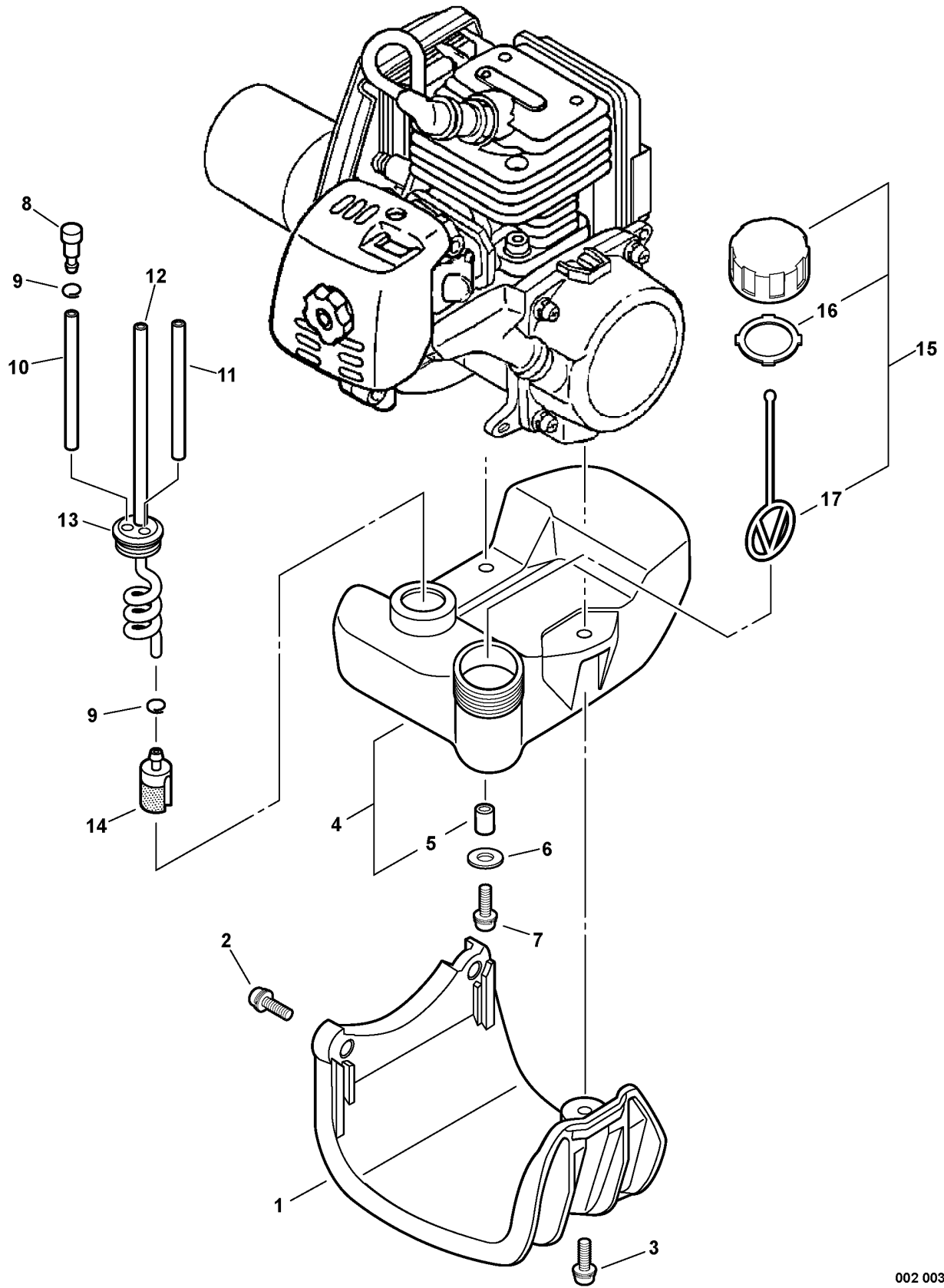
***This Page Intentionally Left Blank***



001 0022 000

---

<u>ITEM</u>	<u>PART NUMBER</u>	<u>QTY</u>	<u>DESCRIPTION</u>	<u>REMARKS</u>
1	A160000040	1	COVER, ENGINE	
2	9111005016	1	SCREW 5X16	
3	A162000000	1	GUARD, TOP	
4	V353000020	1	COLLAR 5	
5	A320000003	1	COVER, MUFFLER	
6	90010605012	2	SCREW 5X12	

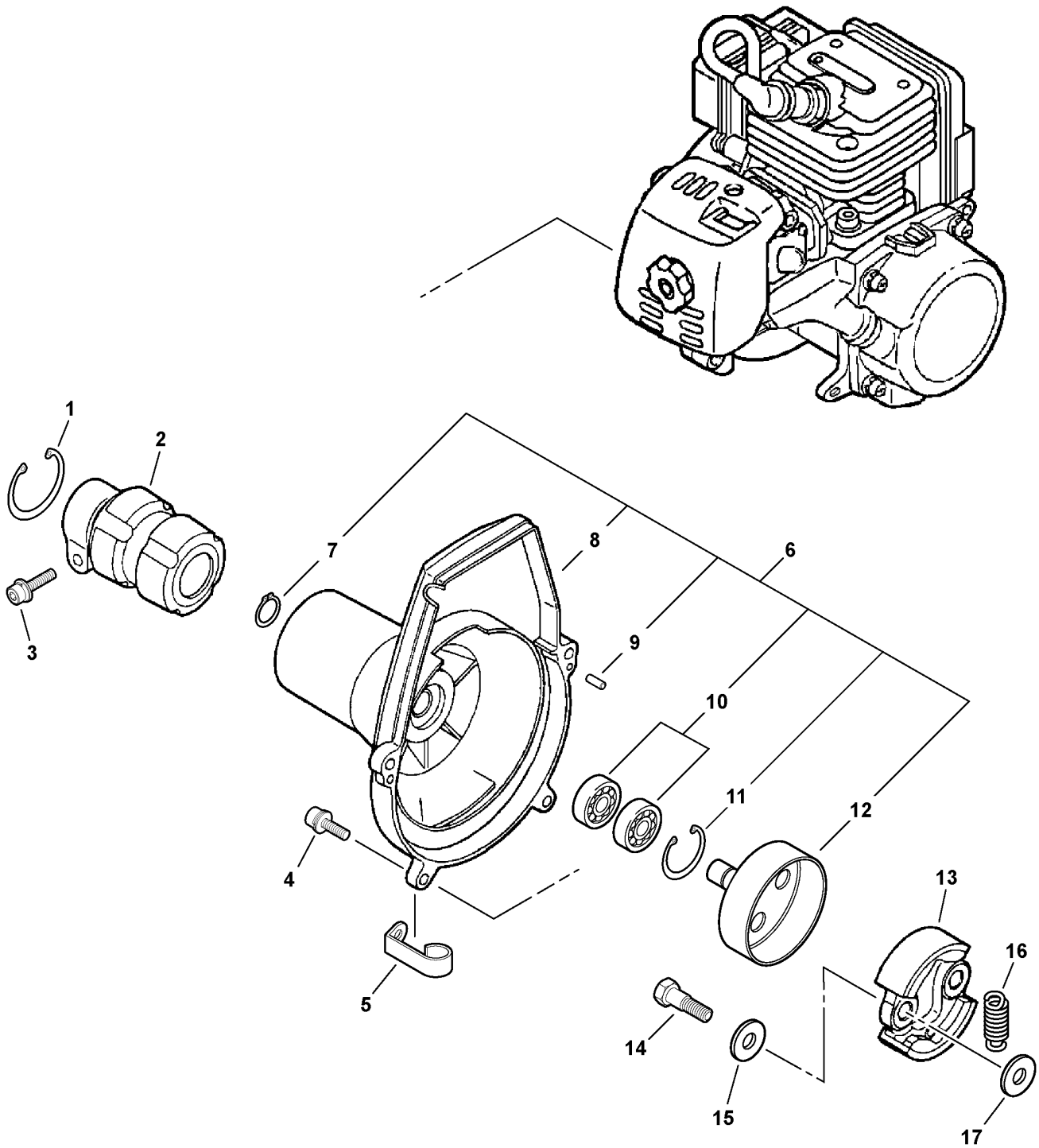


002 0036 00B

ITEM	PART NUMBER	QTY	DESCRIPTION	REMARKS
1	30511057733	1	STAND	
2	90016205022	2	SCREW 5X22	
3	90024405020	1	SCREW 5X20	
4	A350000111	1	TANK, FUEL	INCLUDES ITEM 5
5	13104528230	2	SPACER	
6	90060300005	2	WASHER 5	
7	90016205016	2	SCREW 5X16	
8	A356000030	1	VENT ASY	
9	13201326630	2	CLIP	
10	V471000110	1	PIPE, VENT - 3X6X115mm	REPOWER BULK OPTION: 90015
11	13201256030	1	PIPE, RETURN - 3X6X80mm	REPOWER BULK OPTION: 90017
12	13201038331	1	PIPE, FUEL - SPIRAL	
13	13211555930	1	GROMMET, FUEL	
14	13120519830	1	FILTER, FUEL <sup>1</sup>	
15	13100455530	1	CAP ASY	INCLUDES ITEM 16-17
16	13101655830	1	GASKET, CAP	
17	13105156030	1	CONNECTOR, CAP	

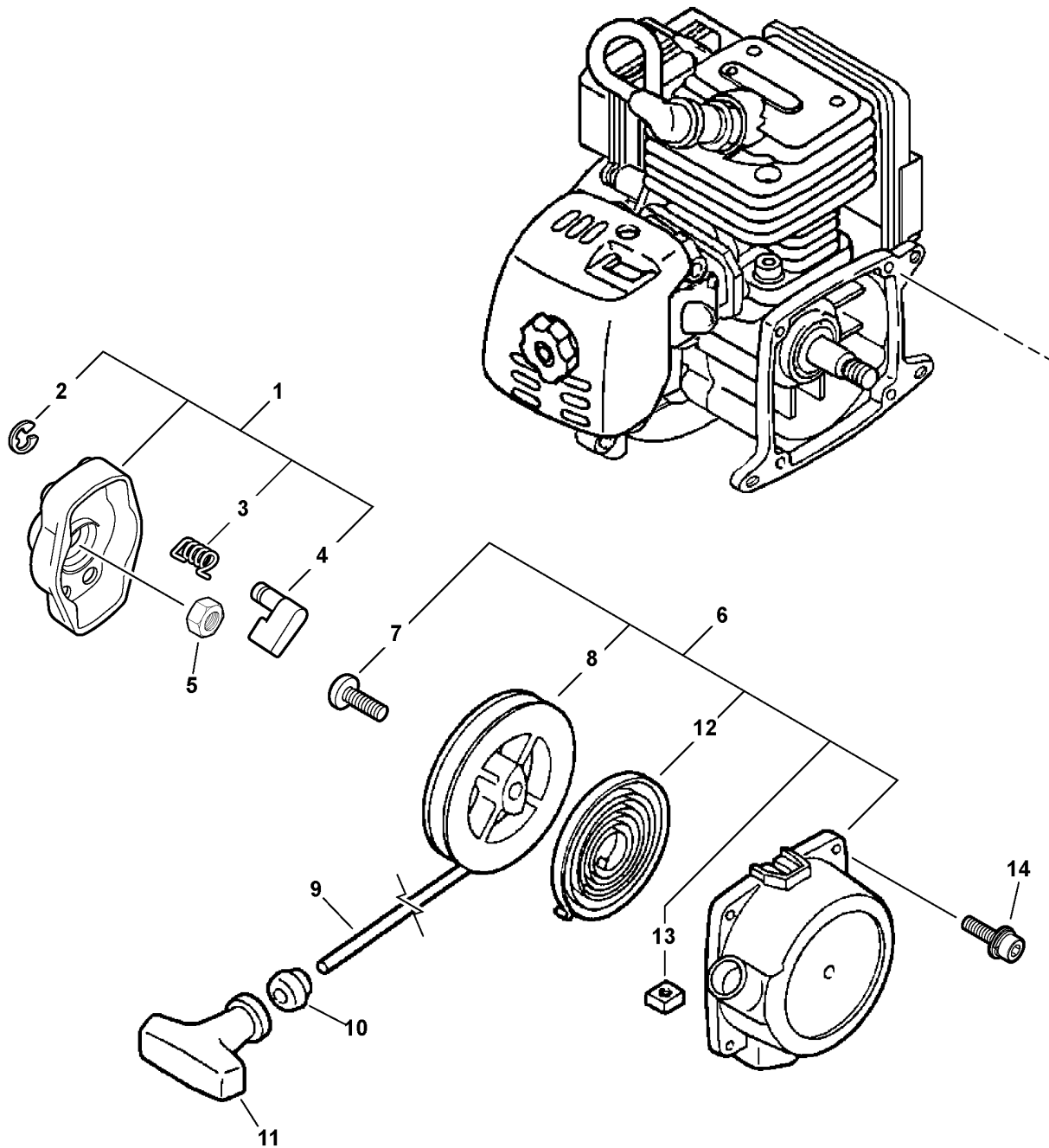
**Footnotes**

1: Also Included In REPOWER TUNE-UP & FILTER KITS



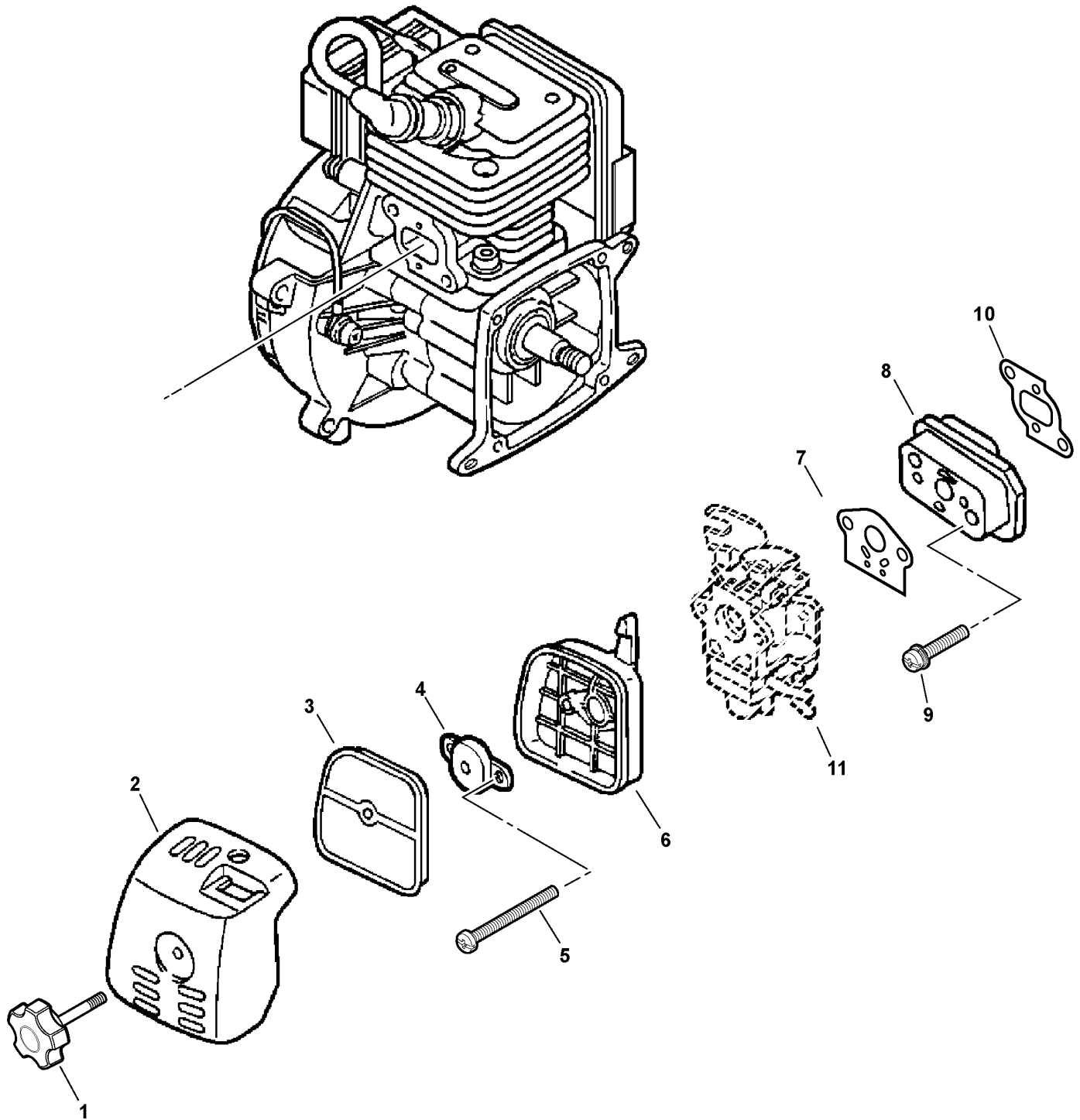
003 0013 000

ITEM	PART NUMBER	QTY	DESCRIPTION	REMARKS
1	90070200042	1	CIRCLIP 42	
2	61092255931	1	FIXTURE, MAIN PIPE	
3	90016205028	1	SCREW 5X28	
4	90016205018	2	SCREW 5X18	
5	17811106230	1	CLIP	
6	P021001410	1	FAN COVER ASY	INCLUDES ITEMS 7-12
7	90070100012	1	CIRCLIP 12	
8	A172000030	1	CASE, FAN	
9	V622000020	2	DOWEL PIN	
10	90080796001	2	BEARING, BALL - 6001	
11	90070200028	1	CIRCLIP 28	
12	A556000030	1	DRUM, CLUTCH	
13	A553000010	2	SHOE, CLUTCH	
14	17504656030	2	SHAFT, CLUTCH	
15	17504956030	2	WASHER	
16	V451000090	1	SPRING, CLUTCH	
17	17504805530	2	WASHER	



004 0033 000

ITEM	PART NUMBER	QTY	DESCRIPTION	REMARKS
1	A052000030	1	STARTER PAWL ASY	INCLUDES ITEMS 2-4
2	90070000004	2	E-RING 4	
3	17723440630	2	SPRING, RETURN	
4	17721840630	2	PAWL, STARTER	
5	90050200008	1	NUT 8	
6	17720055931	1	STARTER ASY	INCLUDES ITEMS 7-13
7	17723644330	1	SCREW	
8	17721540630	1	DRUM, STARTER	
9	17722603930	1	ROPE, STARTER - 3.5X850mm	REPOWER BULK OPTION: 99944445000
10	17722742030	1	GUIDE, ROPE	
11	17722827030	1	GRIP, STARTER	
12	17722040630	1	SPRING, REWIND	
13	90056500005	1	NUT	
14	9112604012	4	BOLT 4X12	



005 0033 000

**SHC-260 Shaft Hedge Clipper**

**Intake**

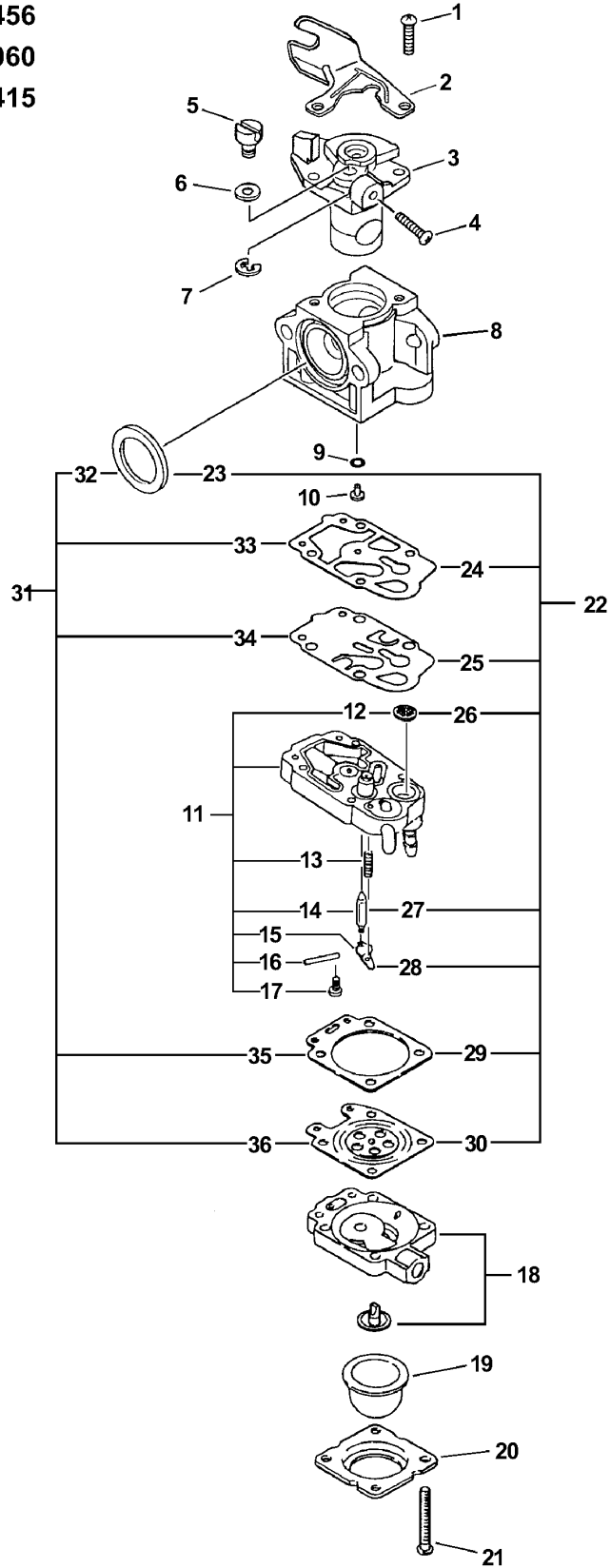
ITEM	PART NUMBER	QTY	DESCRIPTION	REMARKS
1	13040652131	1	KNOB, FASTENER	
2	13031357731	1	LID, AIR CLEANER	
3	13031051830	1	FILTER, AIR <sup>1</sup>	
4	12901157731	1	PLATE, PREVENT	
5	90024205060	2	SCREW 5X60	
6	P021001430	1	CASE, AIR CLEANER	
7	13001013410	1	GASKET, INTAKE <sup>2</sup>	
8	13001756431	1	INSULATOR	
9	90016205025	2	SCREW 5X25	
10	13001055930	1	GASKET, INTAKE <sup>2</sup>	
11	-----	1	CARBURETOR	See Carburetor Diagram For Additional Information

**Footnotes**

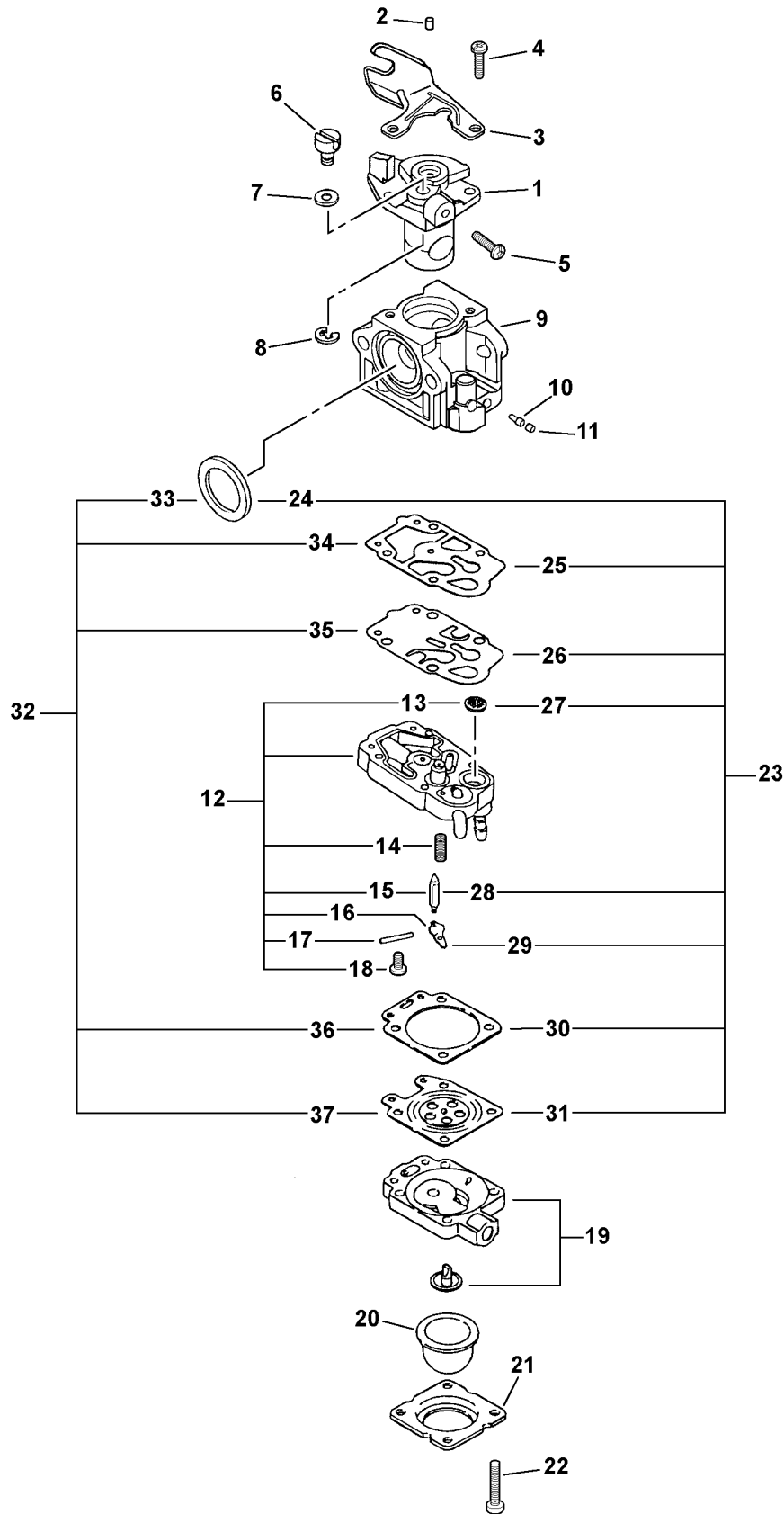
**1:** Also Included In REPOWER TUNE-UP & FILTER KITS

**2:** Also Included In GASKET KIT

SHC-260: 05001001 - 05003456  
SHC-260: 07001001 - 07001060  
SHC-261: 06001001 - 06001415

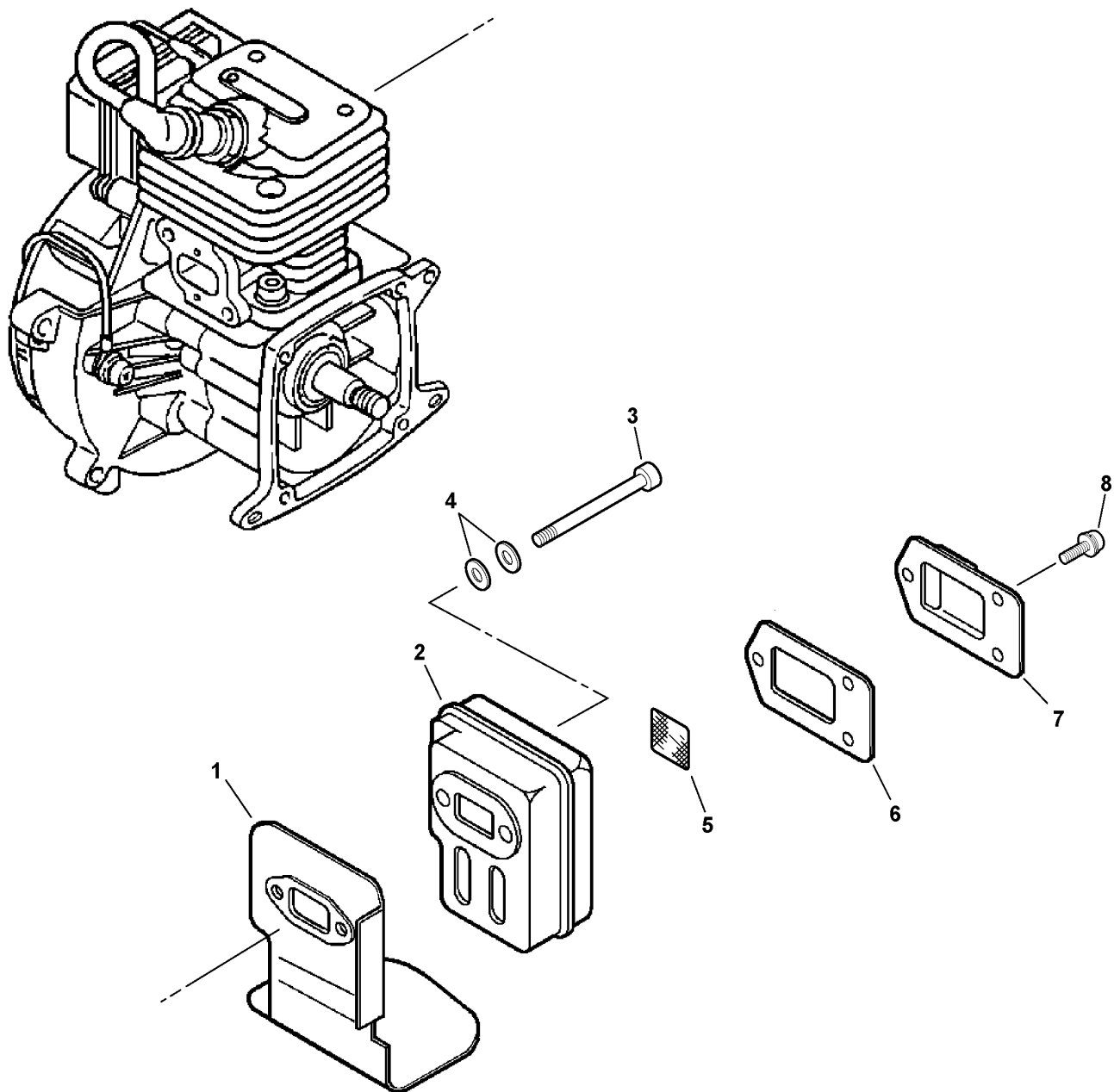


ITEM	PART NUMBER	QTY	DESCRIPTION	REMARKS
	A021000460	1	CARBURETOR -- WYJ-315	
1	12311440630	2	SCREW, CABLE BRACKET	
2	P003000180	1	BRACKET, CABLE	
3		1	THROTTLE VALVE ASY	NOT AVAILABLE SEPARATELY
4	12313440030	1	SCREW, IDLE ADJUST	
5	12317245130	1	SWIVEL	
6	12314954230	1	WASHER	
7	12317307930	1	CLIP	
8		1	BODY, CARBURETOR	NOT AVAILABLE SEPARATELY
9	12318340630	1	O-RING	
10	P003000260	1	JET	
11	12317905560	1	PUMP BODY ASY	INCLUDES ITEMS 12-17
12		1	SCREEN, INLET	
13	12312205560	1	SPRING, METERING LEVER	
14		1	VALVE, INLET NEEDLE	
15		1	LEVER, METERING	
16	12313803930	1	PIN, METERING LEVER	
17	12313905560	1	SCREW, METERING LEVER PIN	
18	12318005560	1	BODY, AIR PURGE	
19	12318140630	1	BULB, PURGE	
20	12314205560	1	COVER, PRIMER PUMP	
21	12311005560	4	SCREW, PUMP COVER	
22	P003000190	1	REPAIR KIT	INCLUDES ITEMS 23-30
23		1	RING, PACKING	
24		1	GASKET, PUMP	
25		1	DIAPHRAGM, PUMP	
26		1	SCREEN, INLET	
27		1	VALVE, INLET NEEDLE	
28		1	LEVER, METERING	
29		1	GASKET, METERING DIAPHRAGM	
30		1	METERING, DIAPHRAGM	
31	P003000200	1	GASKET/DIAPHRAGM KIT	INCLUDES ITEMS 32-36
32		1	RING, PACKING	
33		1	GASKET, PUMP	
34		1	DIAPHRAGM, PUMP	
35		1	GASKET, METERING DIAPHRAGM	
36		1	METERING, DIAPHRAGM	



WYK186 0001 000

ITEM	PART NUMBER	QTY	DESCRIPTION	REMARKS
	A021000700	1	CARBURETOR -- WYK-186	
1	-----	1	THROTTLE VALVE ASY	NOT AVAILABLE SEPARATELY
2	A259000000	1	CAP, LIMITER	
3	P003000180	1	BRACKET, CABLE	
4	12311440630	2	SCREW, CABLE BRACKET	
5	12313440030	1	SCREW, IDLE ADJUST	
6	12317245130	1	SWIVEL	
7	12314954230	1	WASHER	
8	12317307930	1	CLIP, SWIVEL	
9	-----	1	BODY, CARBURETOR	NOT AVAILABLE SEPARATELY
10	P003001130	1	NEEDLE - HIGH SPEED	
11	A259000000	1	CAP, LIMITER	
12	P003000890	1	PUMP BODY ASY	INCLUDES ITEMS 12-17
13	-----	1	SCREEN, INLET	
14	12312205560	1	SPRING, METERING LEVER	
15	-----	1	VALVE, INLET NEEDLE	
16	-----	1	LEVER, METERING	
17	12313803930	1	PIN, METERING LEVER	
18	12313905560	1	SCREW, METERING LEVER PIN	
19	12318005560	1	BODY, AIR PURGE	
20	12318140630	1	BULB, PURGE	
21	12314205560	1	COVER, PRIMER PUMP	
22	12311005560	4	SCREW, PUMP COVER	
23	P003001120	1	REPAIR KIT	INCLUDES ITEMS 24-31
24	-----	1	PACKING, RING	
25	-----	1	GASKET, PUMP	
26	-----	1	DIAPHRAGM, PUMP	
27	-----	1	SCREEN, INLET	
28	-----	1	VALVE, INLET NEEDLE	
29	-----	1	LEVER, METERING	
30	-----	1	GASKET, METERING DIAPHRAGM	
31	-----	1	METERING, DIAPHRAGM	
32	P003001110	1	GASKET/DIAPHRAGM KIT	INCLUDES ITEMS 33-37
33	-----	1	PACKING, RING	
34	-----	1	GASKET, PUMP	
35	-----	1	DIAPHRAGM, PUMP	
36	-----	1	GASKET, METERING DIAPHRAGM	
37	-----	1	METERING, DIAPHRAGM	



006 0018 00B

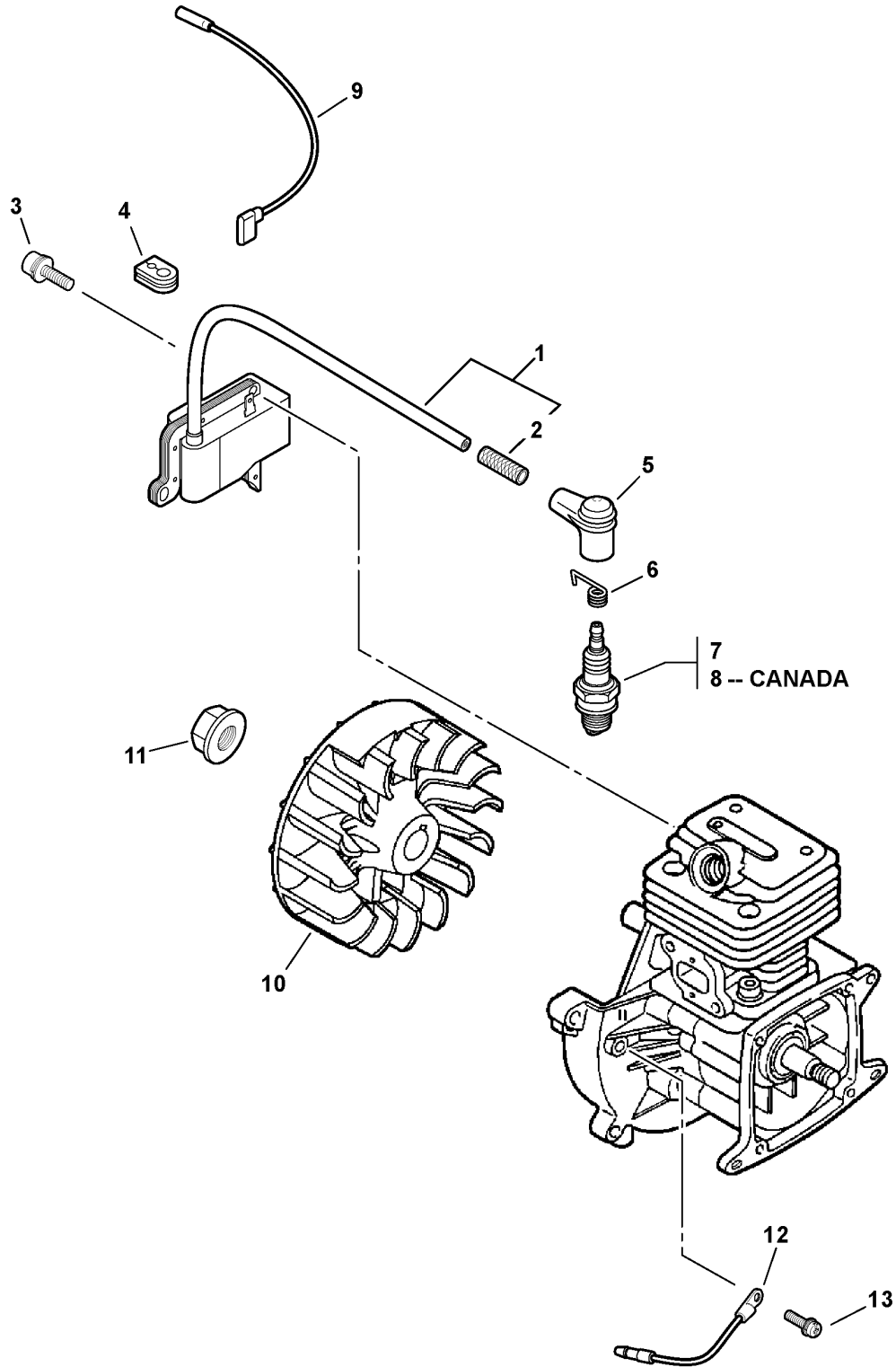
**SHC-260 Shaft Hedge Clipper**

**Exhaust**

ITEM	PART NUMBER	QTY	DESCRIPTION	REMARKS
1	V104000061	1	SHIELD, EXHAUST <sup>1</sup>	
2	14580642030	1	MUFFLER	
3	90010505055	2	SCREW 5X55	
4	90060000005	2	WASHER	
5	14586240630	1	SCREEN, MUFFLER	
6	14586642031	1	GASKET, EXHAUST <sup>1</sup>	
7	A313000350	1	GUIDE, EXHAUST	
8	9136704010	3	SCREW 4X10	

**Footnotes**

1: Also Included In GASKET KIT

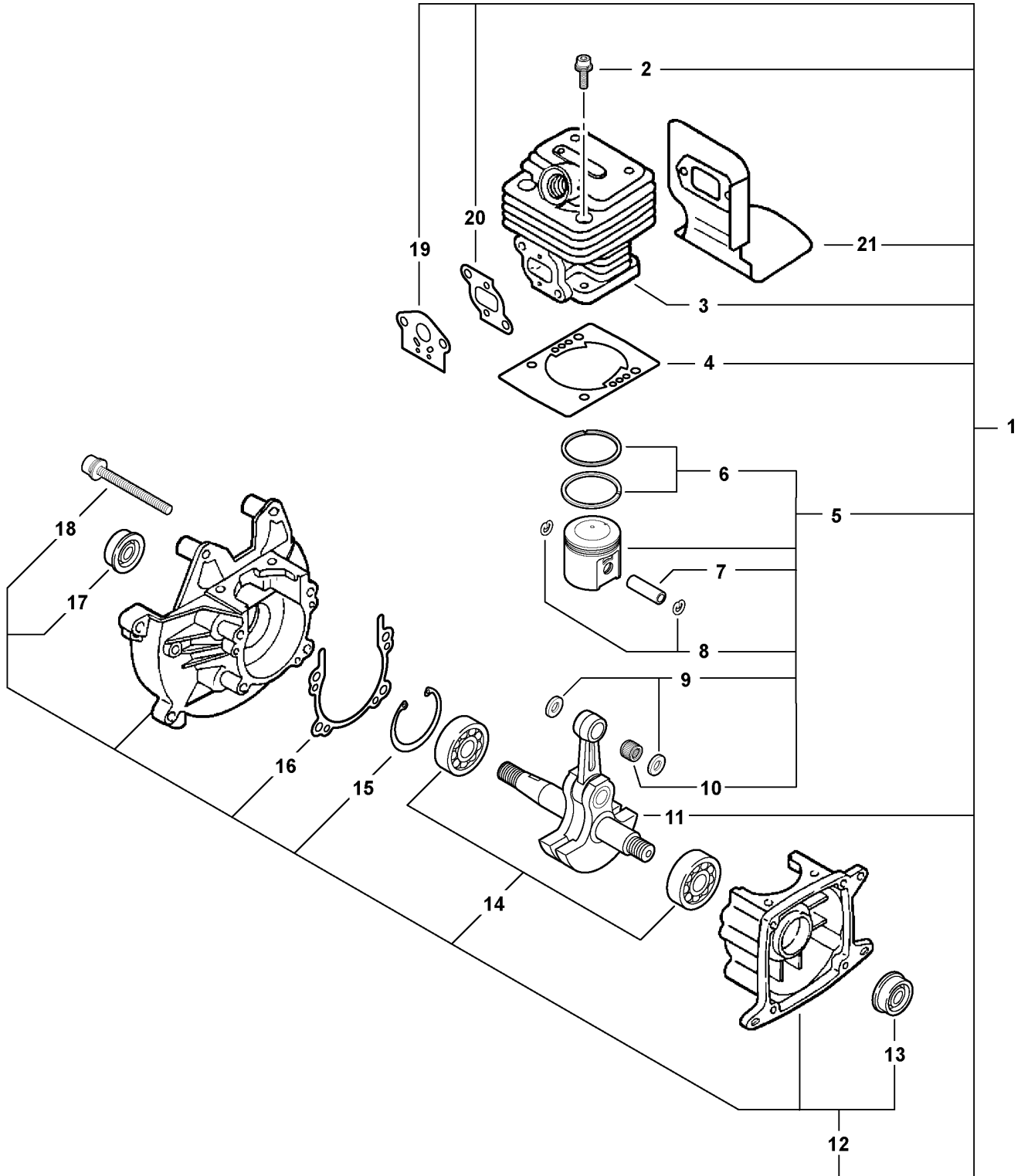


007 0028 000

ITEM	PART NUMBER	QTY	DESCRIPTION	REMARKS
1	A411000110	1	COIL, IGNITION	INCLUDES ITEM 2
2	V475002200	1	TUBE, INSULATOR	
3	90016205016	2	SCREW 5X16	
4	15611240630	1	GROMMET	
5	15901203433	1	CAP, SPARK PLUG	
6	15901103432	1	TERMINAL, SPARK PLUG CAP	
7	15901019830	1	SPARK PLUG -- BPM-8Y <sup>1</sup>	
8	A425000000	1	SPARK PLUG -- BPMR-8Y <sup>1</sup>	CANADA MODELS
9	16201056430	1	LEAD, IGNITION	
10	A409000130	1	FLYWHEEL	
11	90051500008	1	FLANGE NUT 8	
12	16201452930	1	LEAD, GROUND	
13	90024205010	1	SCREW 5X10	

**Footnotes**

1: Also Included In REPOWER TUNE-UP KIT

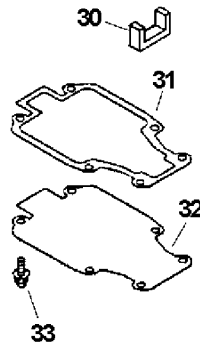
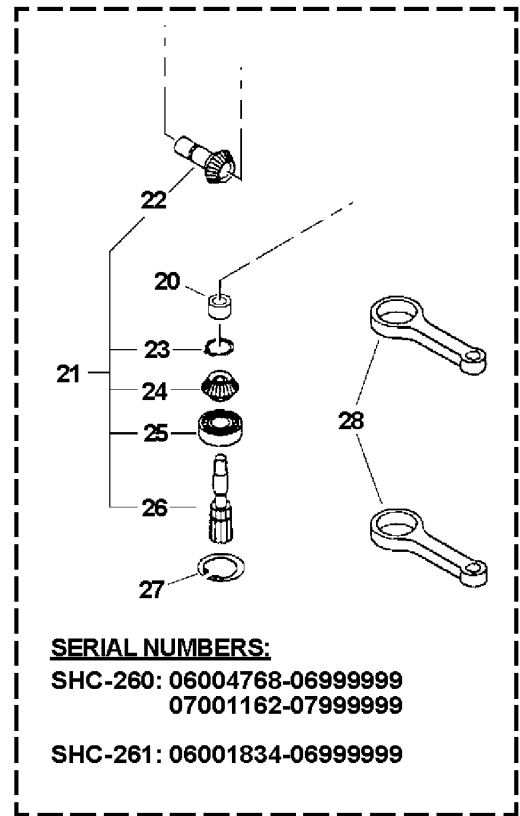
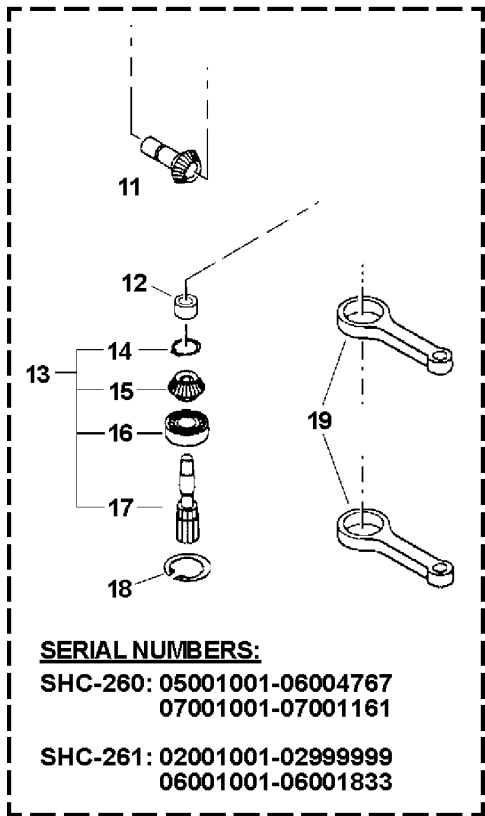
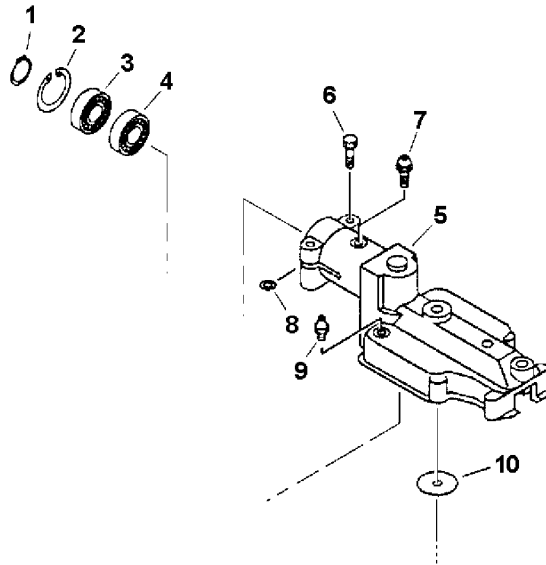


SB1060 0000 000

ITEM	PART NUMBER	QTY	DESCRIPTION	REMARKS
1	SB1060	1	SHORT BLOCK	INCLUDES ITEMS 2-21
2	90016205022	4	SCREW 5X22	
3	A130000371	1	CYLINDER	
4	V100000070	1	GASKET, CYLINDER <sup>1</sup>	
5	P021004740	1	PISTON KIT	INCLUDES ITEMS 6-10
6	A101000010	2	RING, PISTON	
7	V606000000	1	PIN, PISTON	
8	10001504630	2	CIRCLIP, PISTON PIN	
9	10001455930	2	SPACER, PISTON PIN	
10	V553000020	1	BEARING, NEEDLE	
11	A011000031	1	CRANKSHAFT ASY	INCLUDES ITEM 11
12	P021000941	1	CRANKCASE KIT	INCLUDES ITEMS 13-18
13	V505000020	1	OIL SEAL	
14	90080036001	2	BEARING, BALL 6001	
15	90070200028	1	CIRCLIP 28	
16	10024255930	1	GASKET, CRANKCASE <sup>1</sup>	
17	10021228230	1	OIL SEAL	
18	90016205025	4	SCREW 5X25	
19	13001013410	1	GASKET, INTAKE <sup>1</sup>	
20	13001055930	1	GASKET, INTAKE <sup>1</sup>	
21	V104000061	1	SHIELD, EXHAUST <sup>1</sup>	

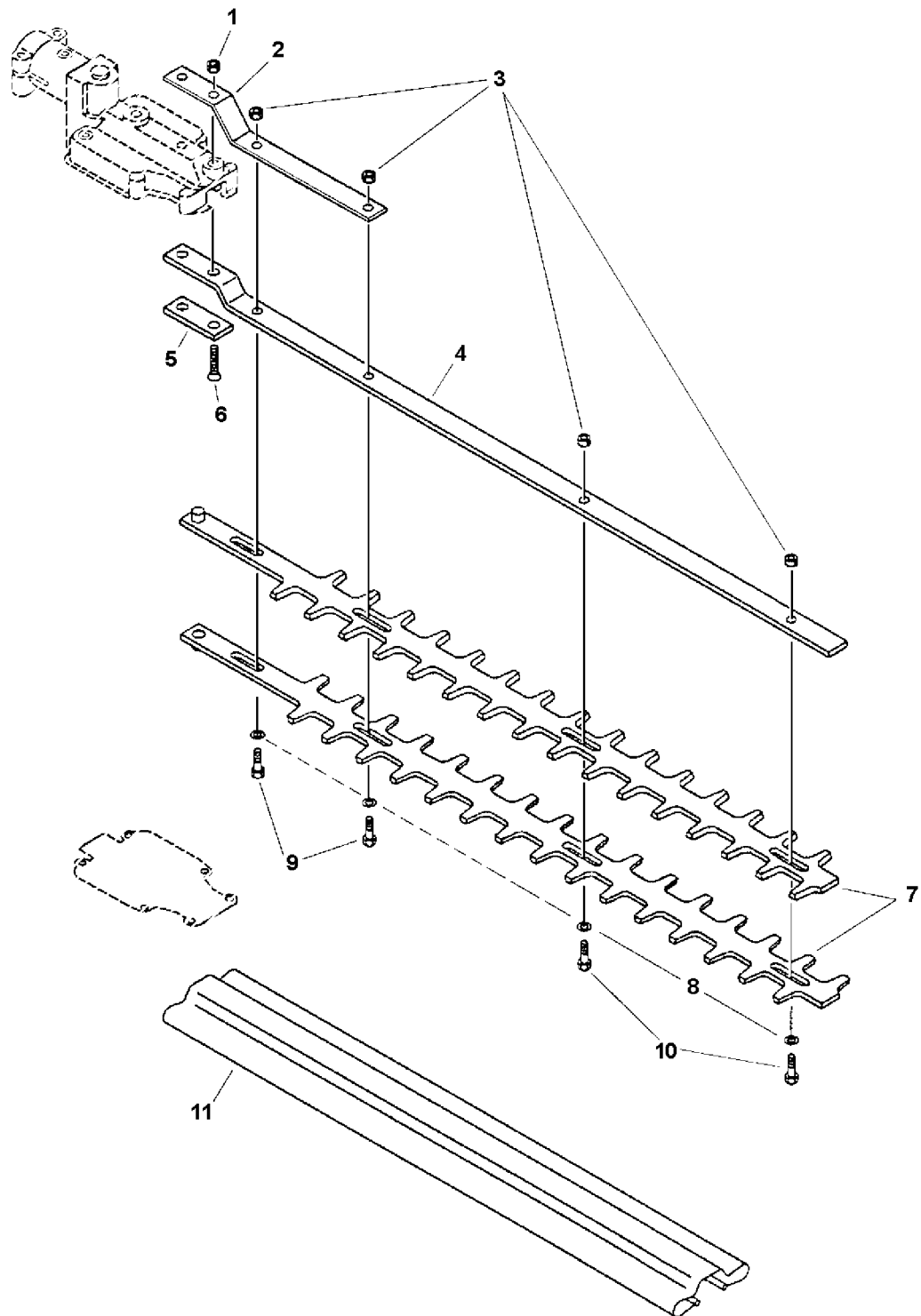
**Footnotes**

<sup>1</sup>: Also Included In GASKET KIT



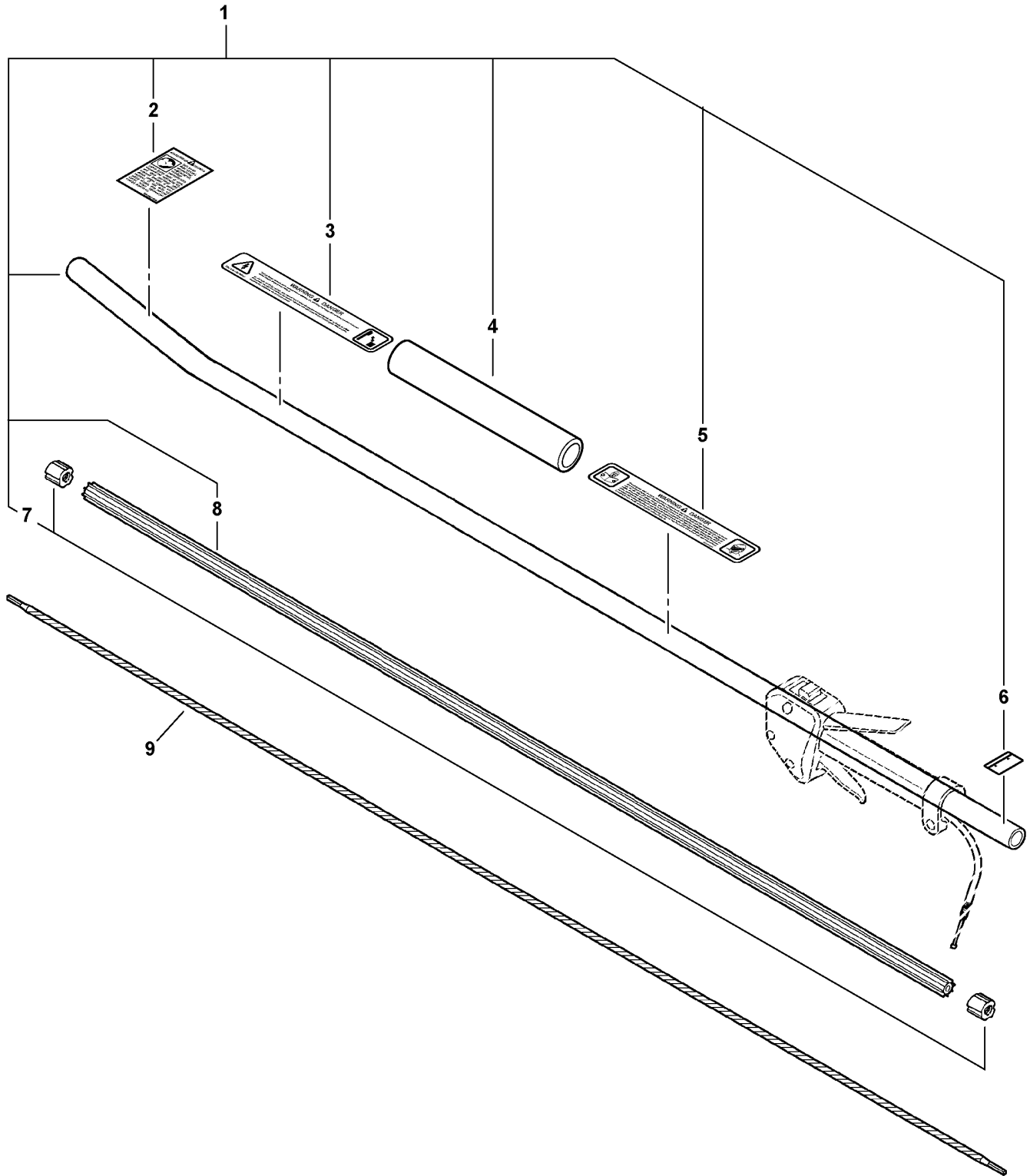
SHC 0006 00 000

ITEM	PART NUMBER	QTY	DESCRIPTION	REMARKS
1	90070600012	1	CIRCLIP 12	
2	61033521460	1	RING, RETAINING	
3	90085806901	1	BEARING, BALL BB6901Z	
4	90085506901	1	BEARING, BALL 6901	
5	P021000110	1	CASE, GEAR	
6	90016205028	2	SCREW 5X28	
7	90016205012	1	SCREW 5X12	
8	61023904130	2	WASHER, SHIM	
9	88011054230	1	NIPPLE, GREASE	
10	61035004560	1	WASHER	
11	V651000050	1	GEAR, BEVEL	
12	60422121460	1	BEARING, NEEDLE	
13	V060000000	1	SPUR GEAR KIT	INCLUDES ITEMS 14-17
14	61033521560	1	RING, RETAINING	
15	V651000060	1	GEAR, BEVEL	
16	90085506901	1	BEARING, BALL 6901	
17	61031221460	1	GEAR	
18	61033521460	1	RING, RETAINING	
19	61033004560	2	ROD, CONNECTING	
20	60422121460	1	BEARING, NEEDLE	
21	P021009440	1	SPUR GEAR SET	INCLUDES ITEMS 22-26
22	V651000180	1	GEAR, BEVEL	
23	61033521560	1	RING, RETAINING	
24	V651000190	1	GEAR, BEVEL	
25	90085506901	1	BEARING, BALL 6901	
26	61031221460	1	GEAR	
27	61033521460	1	RING, RETAINING	
28	C532000120	2	ROD, CONNECTING	
29	61031204560	1	GEAR	
30	61042504560	1	SEAL	
31	61041421460	1	GASKET, GEAR CASE	
32	61041121460	1	LID, GEAR CASE	
33	90016204012	6	SCREW 4X12	



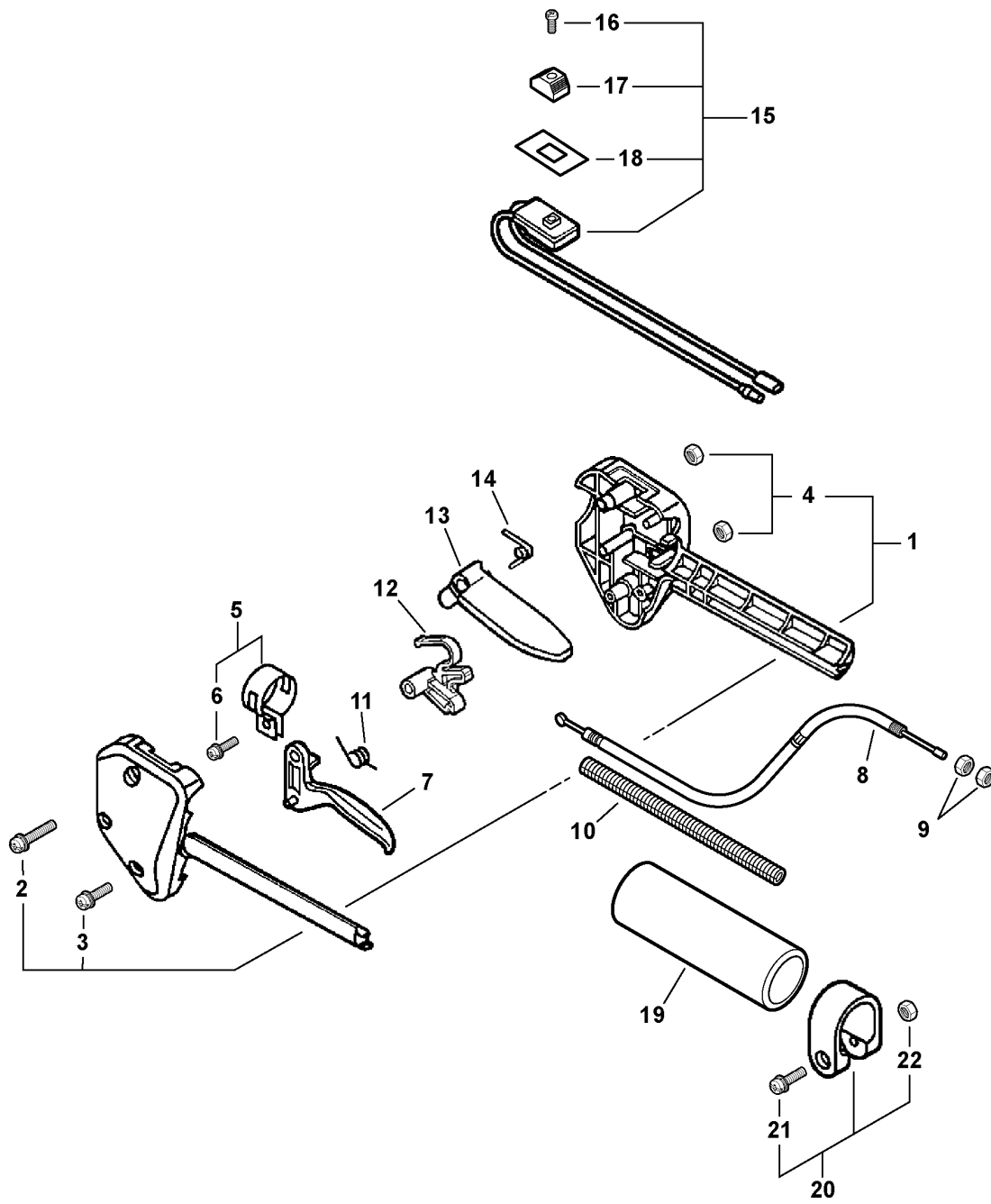
SHC 0005 00 000

ITEM	PART NUMBER	QTY	DESCRIPTION	REMARKS
1	90050000006	2	NUT 6	
2	69912021561	1	BRACKET, BLADE	
3	43302206460	4	NUT	
4	X425000060	1	SUPPORT, BLADE	
5	61044004560	1	HOLDER, FRAME	
6	90021206035	2	SCREW 6X35	
7	X411000050	2	BLADE	
8	69911804560	4	WASHER	
9	69911521460	2	BOLT	
10	69911306560	2	BOLT 6	
11	89852321560	1	BLADE, CUTTER	



031 0024 000

ITEM	PART NUMBER	QTY	DESCRIPTION	REMARKS
1	C050000011	1	MAIN PIPE ASY	INCLUDES ITEMS 2-8
2	89016021560	1	LABEL - CAUTION (SPANISH)	
3	89017854331	1	LABEL - CAUTION	
4	35101254330	1	GRIP, HANDLE - FRONT	
5	89018721460	1	LABEL - CAUTION	
6	89015204930	1	LABEL - PIPE LOCATION	
7	61024644730	2	STOPPER	
8	61021712360	1	LINER, FLEXIBLE	
9	61001312360	1	SHAFT, FLEXIBLE	

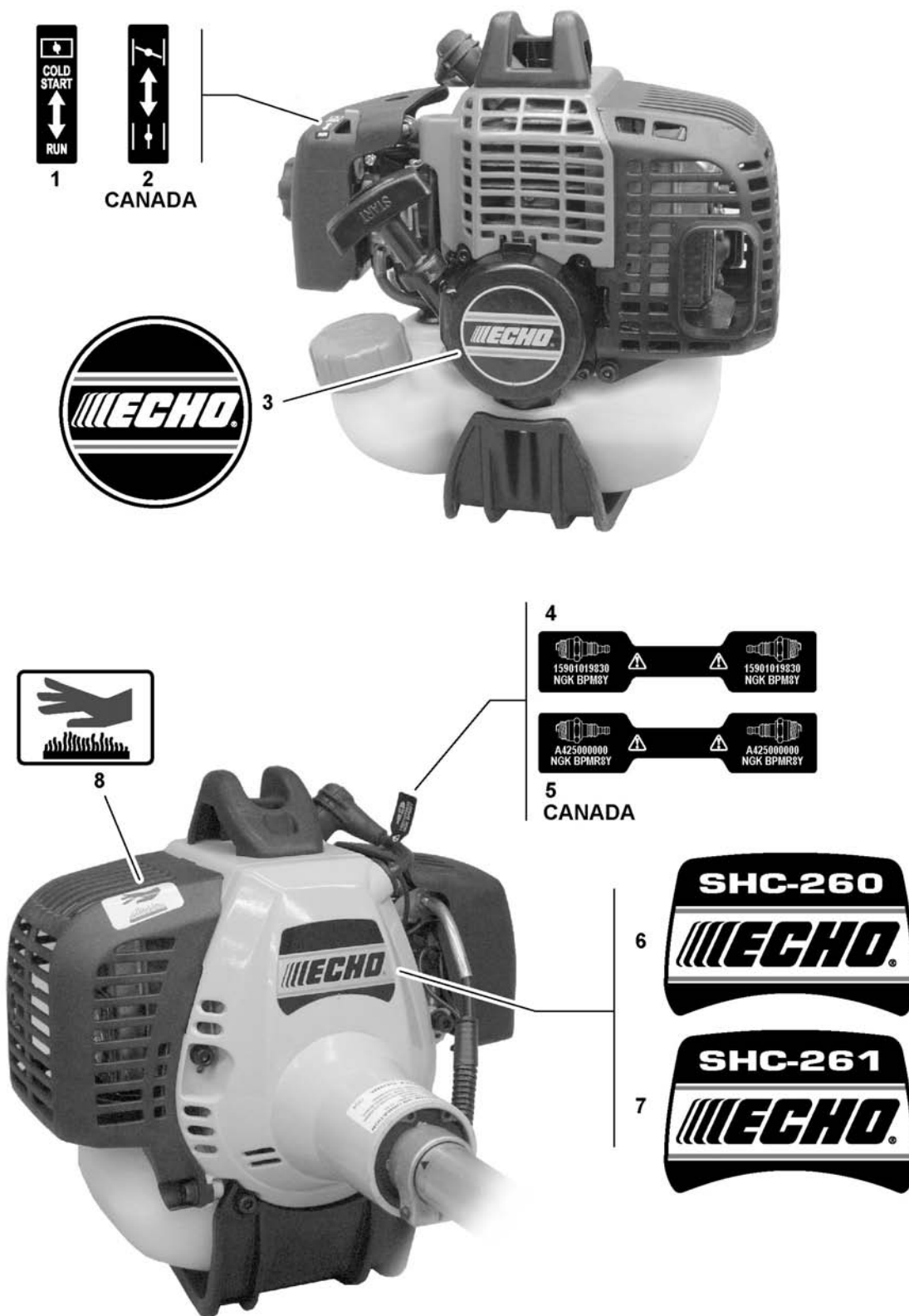


030 0027 000

**SHC-260 Shaft Hedge Clipper**

**Control Handle, Throttle Cable, Ignition Switch**

ITEM	PART NUMBER	QTY	DESCRIPTION	REMARKS
1	17800352130	1	CONTROL HANDLE KIT	INCLUDES ITEMS 2-4
2	90024205035	1	SCREW 5X35	
3	90024205025	1	SCREW 5X25	
4	90050000005	2	NUT 5	
5	30120029430	1	BAND ASY	INCLUDES ITEM 6
6	90024205014	1	SCREW 5X14	
7	17801052130	1	TRIGGER, THROTTLE	
8	V430000140	1	CABLE, THROTTLE	
9	90050200006	2	NUT 6	
10	V475000850	1	COVER - CORRUGATED	
11	17804342230	1	SPRING, THROTTLE RETURN	
12	17801252730	1	LOCKOUT, THROTTLE	
13	17809052632	1	LEVER, THROTTLE LOCKOUT	
14	17801352630	1	SPRING, THROTTLE LOCKOUT	
15	A440000280	1	IGNITION SWITCH ASY	INCLUDES ITEMS 16-18
16	9154503010	1	SCREW 3X10	
17	16341049231	1	KNOB, SWITCH	
18	89015712330	1	LABEL, SWITCH	
19	35121352130	1	GRIP, HANDLE	
20	61027252130	1	CLAMP KIT	INCLUDES ITEMS 21-22
21	90024205028	1	SCREW 5X28	
22	90050000005	1	NUT 5	



100 0070 000

**SHC-260 Shaft Hedge Clipper**

**Labels**

ITEM	PART NUMBER	QTY	DESCRIPTION	REMARKS
1	89012152730	1	LABEL - CHOKE	
2	89033252730	1	LABEL - CHOKE	CANADA MODELS
3	X502000310	1	LABEL - ECHO	
4	X532000671	1	LABEL - SPARK PLUG -- BPM-8Y	
5	X532000720	1	LABEL - SPARK PLUG -- BPMR-8Y	CANADA MODELS
6	X503004050	1	LABEL - MODEL -- SHC-260	
7	X503001200	1	LABEL - MODEL -- SHC-261	
8	89016006361	1	LABEL - CAUTION -- HOT	

<b>Use Gasket Kit</b>	<b>Contains:</b>	<b>Service Number</b>	<b>Description</b>
P021003970		10024255930	GASKET, CRANKCASE
		13001013410	GASKET, INTAKE
		13001055930	GASKET, INTAKE
		14586642031	GASKET, EXHAUST
		V100000070	GASKET, CYLINDER
		V104000061	SHIELD, EXHAUST
		V104000360	GASKET, EXHAUST

300 0015 000

---

<u>ITEM</u>	<u>PART NUMBER</u>	<u>QTY</u>	<u>DESCRIPTION</u>	<u>REMARKS</u>
1	P021003970	1	GASKET KIT	

---

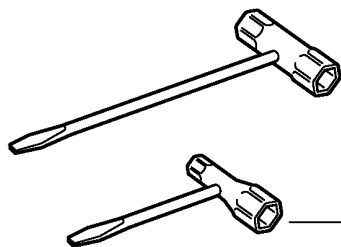
**SOCKET WRENCH W/SCREWDRIVER (Also Remove Spark Plugs)**

1 - 89541010630 -- 17X19mm

2 - X602000020 -- 17X19mm

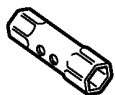
3 - 89541039131 -- 10X19mm

4 - 89541006960 -- 13X19mm



**SOCKET WRENCH**

5 - X602000031 -- 17X14.5mm



**LOCKING BAR**

6 - 89751801131 -- 5X120mm



**OPEN END WRENCH**

7 - 89511200330 -- 8X10mm

8 - 89512220960 -- 17X19mm



9 - 89501505260 -- 10mm



**HEX BAR**

10 - 89541220960 -- 10mm



**HEX KEY**

11 - 89561203430 -- 3mm



12 - 89561000130 -- 4mm



13 - 89561100330 -- 5mm



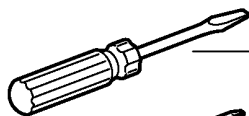
**TORX KEY**

14 - X506000050 -- 3mm

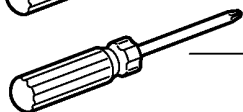


**SCREWDRIVER**

15 - 89581100130 -- 125mm SLOTTED



16 - 89581203930 -- 50mm PHILLIPS



**CHUCK KEY**

17 - 89757005560



200 0002 000

ITEM	PART NUMBER	QTY	DESCRIPTION	REMARKS
1	89541010630	1	SOCKET WRENCH/SCREWDRIVER	17X19mm
2	X602000020	1	SOCKET WRENCH/SCREWDRIVER	17X19mm
3	89541039131	1	SOCKET WRENCH/SCREWDRIVER	10X19mm
4	89541006960	1	SOCKET WRENCH/SCREWDRIVER	13X19mm
5	X602000031	1	SOCKET WRENCH	17X14.5mm
6	89751801131	1	LOCKING BAR	5X120mm
7	89511200330	1	OPEN END WRENCH	8X10mm
8	89512220960	1	OPEN END WRENCH	17X19mm
9	89501505260	1	OPEN END WRENCH	10mm
10	89541220960	1	HEX BAR	10mm
11	89561203430	1	HEX KEY	3mm
12	89561000130	1	HEX KEY	4mm
13	89561100330	1	HEX KEY	5mm
14	X605000050	1	TORX KEY	3mm
15	89581100130	1	SCREWDRIVER	SLOTTED HEAD
16	89581203930	1	SCREWDRIVER	PHILLIPS HEAD
17	89757005560	1	CHUCK KEY	



# Part Number Index

Click The Page Number After Any Part Number To View The Diagram Containing That Part.

Part Number	Page	Part Number	Page	Part Number	Page
-----	13, 17	61023904130	25	90080796001	9
-----	15	61024644730	29	90085506901	25
10001455930	23	61027252130	31	90085806901	25
10001504630	23	61031204560	25	9111005016	5
10021228230	23	61031221460	25	9112604012	11
10024255930	23	61033004560	25	9136704010	19
12311005560	15, 17	61033521460	25	9154503010	31
12311440630	15, 17	61033521560	25	A011000031	23
12312205560	15, 17	61035004560	25	A021000460	15
12313440030	15, 17	61041121460	25	A021000700	17
12313803930	15, 17	61041421460	25	A052000030	11
12313905560	15, 17	61042504560	25	A101000010	23
12314205560	15, 17	61044004560	27	A130000371	23
12314954230	15, 17	61092255931	9	A160000040	5
12317245130	15, 17	69911306560	27	A162000000	5
12317307930	15, 17	69911521460	27	A172000030	9
12317905560	15	69911804560	27	A259000000	17
12318005560	15, 17	69912021561	27	A313000350	19
12318140630	15, 17	88011054230	25	A320000003	5
12318340630	15	89012152730	33	A350000111	7
12901157731	13	89015204930	29	A356000030	7
13001013410	13, 23	89015712330	31	A409000130	21
13001055930	13, 23	89016006361	33	A411000110	21
13001756431	13	89016021560	29	A425000000	21
13031051830	13	89017854331	29	A440000280	31
13031357731	13	89018721460	29	A553000010	9
13040652131	13	89033252730	33	A556000030	9
13100455530	7	89501505260	37	C050000011	29
13101655830	7	89511200330	37	C532000120	25
13104528230	7	89512220960	37	P003000180	15, 17
13105156030	7	89541006960	37	P003000190	15
13120519830	7	89541010630	37	P003000200	15
13201038331	7	89541039131	37	P003000260	15
13201256030	7	89541220960	37	P003000890	17
13201326630	7	89561000130	37	P003001110	17
13211555930	7	89561100330	37	P003001120	17
14580642030	19	89561203430	37	P003001130	17
14586240630	19	89581100130	37	P021000110	25
14586642031	19	89581203930	37	P021000941	23
15611240630	21	89751801131	37	P021001410	9
15901019830	21	89757005560	37	P021001430	13
15901103432	21	89852321560	27	P021003970	35
15901203433	21	90010505055	19	P021004740	23
16201056430	21	90010605012	5	P021009440	25
16201452930	21	90016204012	25	SB1060	23
16341049231	31	90016205012	25	V060000000	25
17504656030	9	90016205016	7, 21	V100000070	23
17504805530	9	90016205018	9	V104000061	19, 23
17504956030	9	90016205022	7, 23	V353000020	5
17720055931	11	90016205025	13, 23	V430000140	31
17721540630	11	90016205028	9, 25	V451000090	9
17721840630	11	90021206035	27	V471000110	7
17722040630	11	90024205010	21	V475000850	31
17722603930	11	90024205014	31	V475002200	21
17722742030	11	90024205025	31	V505000020	23
17722827030	11	90024205028	31	V553000020	23
17723440630	11	90024205035	31	V606000000	23
17723644330	11	90024205060	13	V622000020	9
17800352130	31	90024405020	7	V651000050	25
17801052130	31	90050000005	31	V651000060	25
17801252730	31	90050000006	27	V651000180	25
17801352630	31	90050200006	31	V651000190	25
17804342230	31	90050200008	11	X411000050	27
17809052632	31	90051500008	21	X425000060	27
17811106230	9	90056500005	11	X502000310	33
30120029430	31	90060000005	19	X503001200	33
30511057733	7	90060300005	7	X503004050	33
35101254330	29	90070000004	11	X532000671	33
35121352130	31	90070100012	9	X532000720	33
43302206460	27	90070200028	9, 23	X602000020	37
60422121460	25	90070200042	9	X602000031	37
61001312360	29	90070600012	25	X605000050	37
61021712360	29	90080036001	23		



# Part Description Index

Click The Page Number After Any Part Description To View The Diagram Containing That Part.

<p><b>B</b></p> <p>BAND ASY.....31                  BEARING, BALL - 6001.....9                  BEARING, BALL 6001.....23                  BEARING, BALL 6901.....25                  BEARING, BALL BB6901Z.....25                  BEARING, NEEDLE.....23, 25                  BLADE.....27                  BLADE, CUTTER.....27                  BODY, AIR PURGE.....15, 17                  BODY, CARBURETOR.....15, 17                  BOLT.....27                  BOLT 4X12.....11                  BOLT 6.....27                  BRACKET, BLADE.....27                  BRACKET, CABLE.....15, 17                  BULB, PURGE.....15, 17</p> <p><b>C</b></p> <p>CABLE, THROTTLE.....31                  CAP ASY.....7                  CAP, LIMITER.....17                  CAP, SPARK PLUG.....21                  CARBURETOR.....13                  CARBURETOR -- WYJ-315.....15                  CARBURETOR -- WYK-186.....17                  CASE, AIR CLEANER.....13                  CASE, FAN.....9                  CASE, GEAR.....25                  CHUCK KEY.....37                  CIRCLIP 12.....9, 25                  CIRCLIP 28.....9, 23                  CIRCLIP 42.....9                  CIRCLIP, PISTON PIN.....23                  CLAMP KIT.....31                  CLIP.....7, 9, 15                  CLIP, SWIVEL.....17                  COIL, IGNITION.....21                  COLLAR 5.....5                  CONNECTOR, CAP.....7                  CONTROL HANDLE KIT.....31                  COVER - CORRUGATED.....31                  COVER, ENGINE.....5                  COVER, MUFFLER.....5                  COVER, PRIMER PUMP.....15, 17                  CRANKCASE KIT.....23                  CRANKSHAFT ASY.....23                  CYLINDER.....23</p> <p><b>D</b></p> <p>DIAPHRAGM, PUMP.....15, 17                  DOWEL PIN.....9                  DRUM, CLUTCH.....9                  DRUM, STARTER.....11</p> <p><b>E</b></p> <p>E-RING 4.....11</p> <p><b>F</b></p> <p>FAN COVER ASY.....9                  FILTER, AIR.....13                  FILTER, FUEL.....7                  FIXTURE, MAIN PIPE.....9</p>	<p>FLANGE NUT 8.....21                  FLYWHEEL.....21</p> <p><b>G</b></p> <p>GASKET KIT.....35                  GASKET, CAP.....7                  GASKET, CRANKCASE.....23                  GASKET, CYLINDER.....23                  GASKET, EXHAUST.....19                  GASKET, GEAR CASE.....25                  GASKET, INTAKE.....13, 23                  GASKET, METERING DIAPHRAGM.....15, 17                  GASKET, PUMP.....15, 17                  GASKET/DIAPHRAGM KIT.....15, 17                  GEAR.....25                  GEAR, BEVEL.....25                  GRIP, HANDLE.....31                  GRIP, HANDLE - FRONT.....29                  GRIP, STARTER.....11                  GROMMET.....21                  GROMMET, FUEL.....7                  GUARD, TOP.....5                  GUIDE, EXHAUST.....19                  GUIDE, ROPE.....11</p> <p><b>H</b></p> <p>HEX BAR.....37                  HEX KEY.....37                  HOLDER, FRAME.....27</p> <p><b>I</b></p> <p>IGNITION SWITCH ASY.....31                  INSULATOR.....13</p> <p>JET.....15</p> <p><b>J</b></p> <p><b>K</b></p> <p>KNOB, FASTENER.....13                  KNOB, SWITCH.....31</p> <p><b>L</b></p> <p>LABEL - CAUTION.....29                  LABEL - CAUTION -- HOT.....33                  LABEL - CAUTION (SPANISH).....29                  LABEL - CHOKE.....33                  LABEL - ECHO.....33                  LABEL - MODEL -- SHC-260.....33                  LABEL - MODEL -- SHC-261.....33                  LABEL - PIPE LOCATION.....29                  LABEL - SPARK PLUG -- BPM-8Y.....33                  LABEL - SPARK PLUG -- BPMR-8Y.....33                  LABEL, SWITCH.....31                  LEAD, GROUND.....21                  LEAD, IGNITION.....21                  LEVER, METERING.....15, 17                  LEVER, THROTTLE LOCKOUT.....31                  LID, AIR CLEANER.....13                  LID, GEAR CASE.....25                  LINER, FLEXIBLE.....29                  LOCKING BAR.....37                  LOCKOUT, THROTTLE.....31</p>	<p><b>M</b></p> <p>MAIN PIPE ASY.....29                  METERING, DIAPHRAGM.....15, 17                  MUFFLER.....19</p> <p><b>N</b></p> <p>NEEDLE - HIGH SPEED.....17                  NIPPLE, GREASE.....25                  NUT.....11, 27                  NUT 5.....31                  NUT 6.....27, 31                  NUT 8.....11</p> <p><b>O</b></p> <p>OIL SEAL.....23                  OPEN END WRENCH.....37                  O-RING.....15</p> <p><b>P</b></p> <p>PACKING, RING.....17                  PAWL, STARTER.....11                  PIN, METERING LEVER.....15, 17                  PIN, PISTON.....23                  PIPE, FUEL - SPIRAL.....7                  PIPE, RETURN - 3X6X80mm.....7                  PIPE, VENT - 3X6X115mm.....7                  PISTON KIT.....23                  PLATE, PREVENT.....13                  PUMP BODY ASY.....15, 17</p> <p><b>R</b></p> <p>REPAIR KIT.....15, 17                  RING, PACKING.....15                  RING, PISTON.....23                  RING, RETAINING.....25                  ROD, CONNECTING.....25                  ROPE, STARTER - 3.5X850mm.....11</p> <p><b>S</b></p> <p>SCREEN, INLET.....15, 17                  SCREEN, MUFFLER.....19                  SCREW.....11                  SCREW 3X10.....31                  SCREW 4X10.....19                  SCREW 4X12.....25                  SCREW 5X10.....21                  SCREW 5X12.....5, 25                  SCREW 5X14.....31                  SCREW 5X16.....5, 7, 21                  SCREW 5X18.....9                  SCREW 5X20.....7                  SCREW 5X22.....7, 23                  SCREW 5X25.....13, 23, 31                  SCREW 5X28.....9, 25, 31                  SCREW 5X35.....31                  SCREW 5X55.....19                  SCREW 5X60.....13                  SCREW 6X35.....27                  SCREW, CABLE BRACKET.....15, 17                  SCREW, IDLE ADJUST.....15, 17                  SCREW, METERING LEVER PIN.....15, 17                  SCREW, PUMP COVER.....15, 17</p>
--	--	---



# Part Description Index (continued)

---

SCREWDRIVER.....37  
 SEAL.....25  
 SHAFT, CLUTCH.....9  
 SHAFT, FLEXIBLE.....29  
 SHIELD, EXHAUST.....19, 23  
 SHOE, CLUTCH.....9  
 SHORT BLOCK.....23  
 SOCKET WRENCH.....37  
 SOCKET WRENCH/SCREWDRIVER.....37  
 SPACER.....7  
 SPACER, PISTON PIN.....23  
 SPARK PLUG -- BPM-8Y.....21  
 SPARK PLUG -- BPMR-8Y.....21  
 SPRING, CLUTCH.....9  
 SPRING, METERING LEVER.....15, 17  
 SPRING, RETURN.....11  
 SPRING, REWIND.....11  
 SPRING, THROTTLE LOCKOUT.....31  
 SPRING, THROTTLE RETURN.....31  
 SPUR GEAR KIT.....25  
 SPUR GEAR SET.....25  
 STAND.....7  
 STARTER ASY.....11  
 STARTER PAWL ASY.....11  
 STOPPER.....29  
 SUPPORT, BLADE.....27  
 SWIVEL.....15, 17

## T

TANK, FUEL.....7  
 TERMINAL, SPARK PLUG CAP.....21  
 THROTTLE VALVE ASY.....15, 17  
 TORX KEY.....37  
 TRIGGER, THROTTLE.....31  
 TUBE, INSULATOR.....21

## V

VALVE, INLET NEEDLE.....15, 17  
 VENT ASY.....7

## W

WASHER.....9, 15, 17, 19, 25, 27  
 WASHER 5.....7  
 WASHER, SHIM.....25

## **NOTES**



**ECHO, INCORPORATED**

400 Oakwood Road  
Lake Zurich, IL 60047 USA

[WWW.ECHO-USA.COM](http://WWW.ECHO-USA.COM)

---