

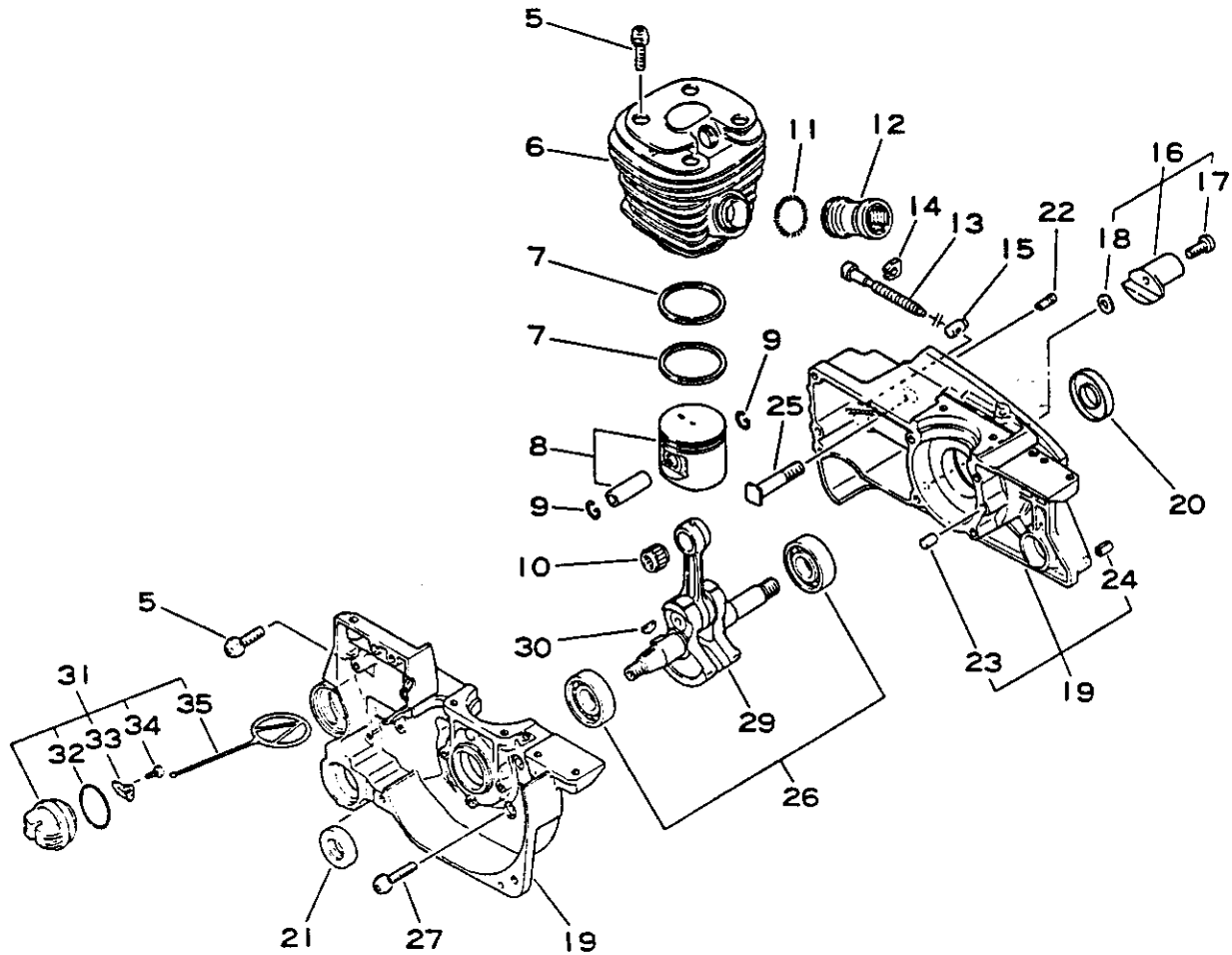


**CHAIN SAW
PARTS CATALOG
MODEL CS-4600**

SERIAL NUMBER 0 - 027191

**ECHO, INCORPORATED
400 OAKWOOD ROAD
LAKE ZURICH, IL 60047**

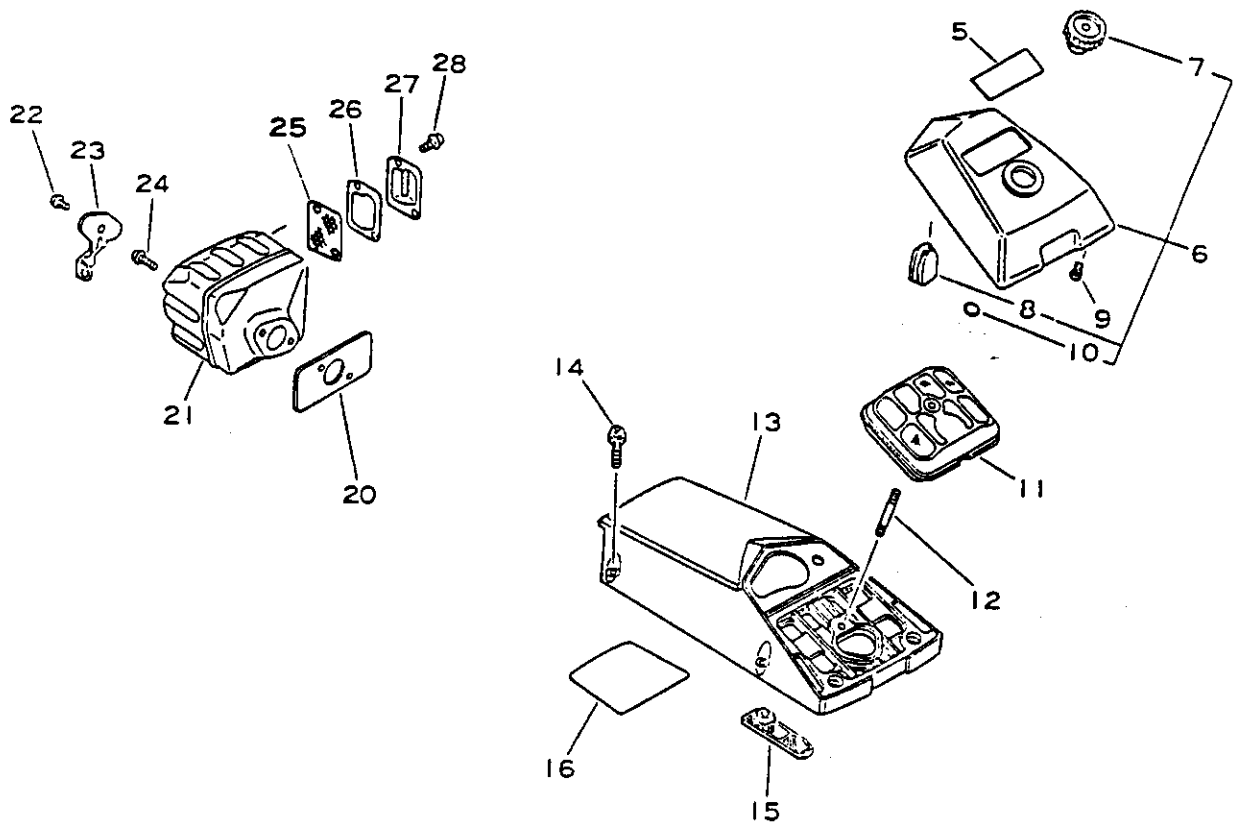
**89861233932
03/91**



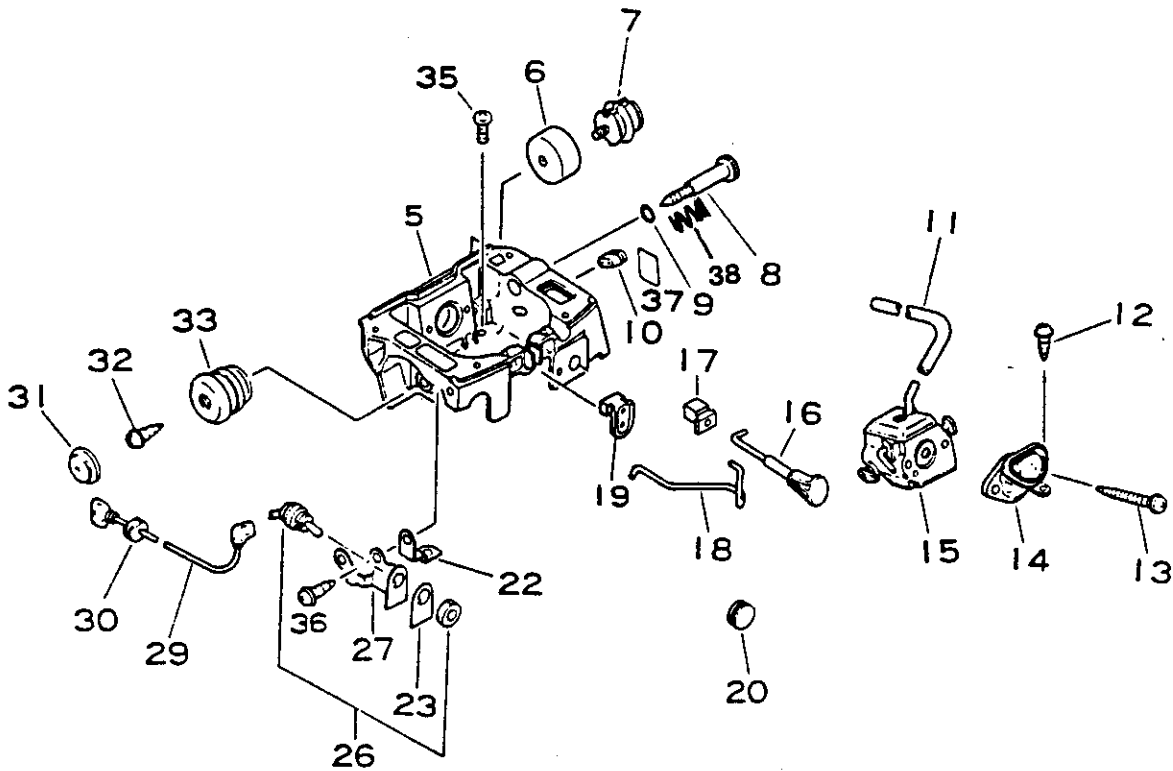
Optional Cylinder Base Gasket 101010-19830

Key No.	Part Number	Q'ty	Description	Key No.	Part Number	Q'ty	Description		
1-	5	900 281-0502 0	6	Screw 5 x 20	1-	21	-100 212-1983 0	1	Oilseal
	6	101 005-3373 0	1	Cylinder		22	-436 114-1393 0	1	Valve, check
	7	100 011-3373 0	2	Ring, piston		23	-100 215-0283 0	2	Pin, dowel
	8	100 003-1993 0	1	Piston w/pin		24	-900 345-5001 0	1	Pin, spring 5 x 10
	9	100 015-0012 0	2	Circlip, piston pin		25	-433 011-1983 0	2	Stud, guide bar
	11	130 516-1983 0	1	Band		26	-100 121-1983 0	1	Bearing, ball
	12	130 510-3333 0	1	Adapter, intake		27	900 281-0503 0	4	Screw 5 x 30
	13	433 016-1983 0	1	Screw, tensioner		29	100 100-1983 0	1	Crankshaft, assembly
	14	433 028-1103 0	1	Clip		10	100 012-1983 0	1	Bearing, needle
15	433 014-1983 0	1	Tensioner	30	100 142-3083 0	1	Key, woodruff		
16	433 000-3333 0	1	Catcher kit, chain	31	436 001-1983 2	1	Cap assembly, oil tank		
17	-900 281-0502 0	1	Screw 5 x 20	32	-436 012-1983 0	1	O-ring		
19	-900 500-0000 5	1	Nut 5	33	-131 050-1983 0	1	Holder		
19	100 301-1993 0	1	Crankcase set	34	-900 258-0300 8	1	Screw 3 x 8		
20	-100 212-3243 0	1	Oilseal	35	-131 051-1983 0	1	Link		
				36	130 113-1233 0	1	Connector		

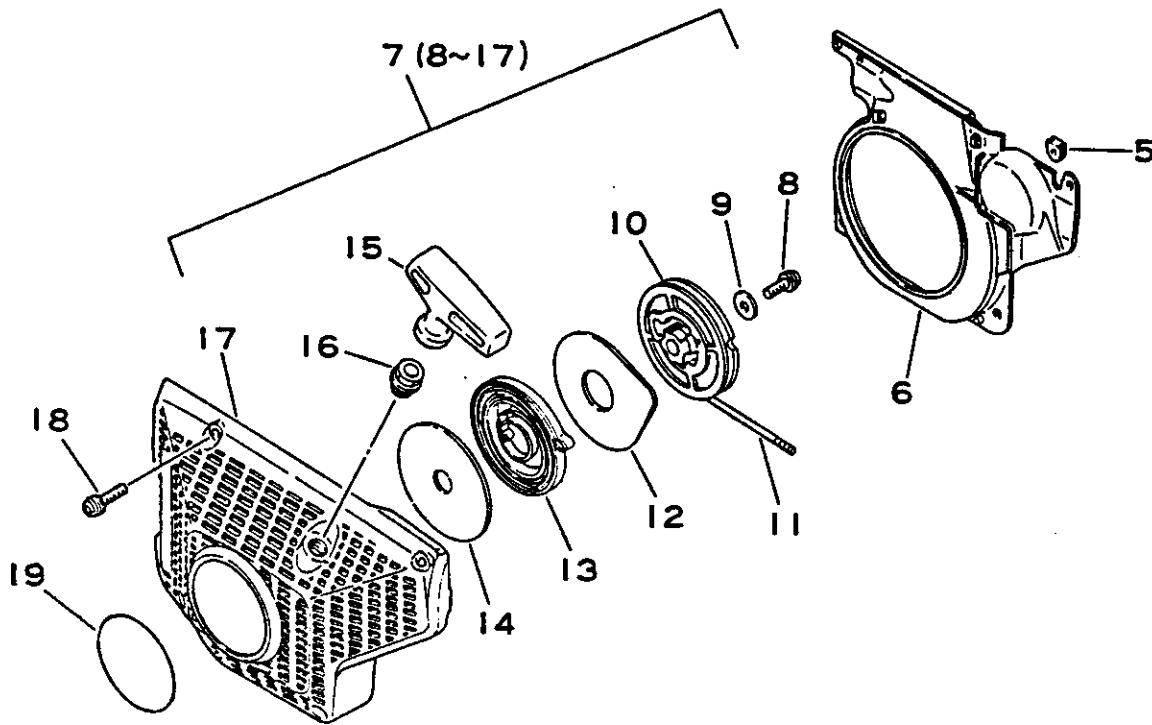
898 612-3393 0



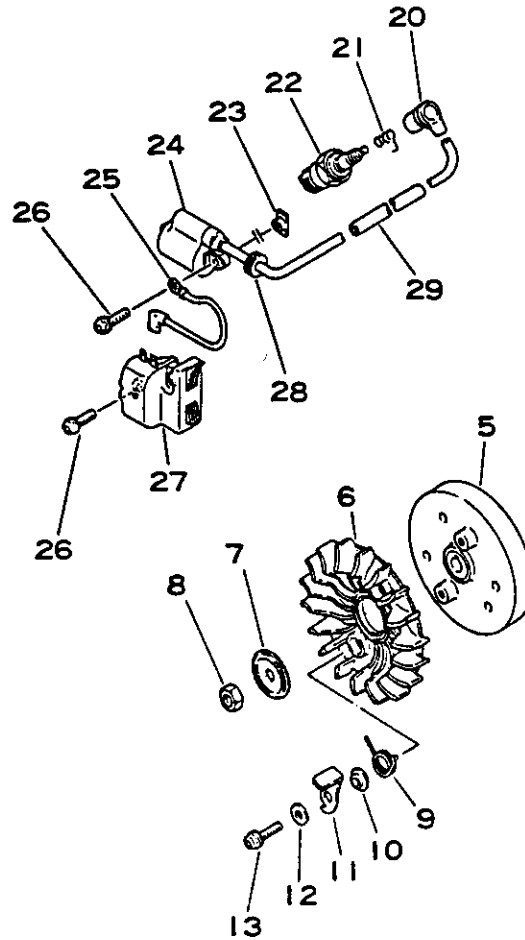
Key No.	Part Number	Q'ty	Description	Key No.	Part Number	Q'ty	Description
2-	5	1	Label, model	2-	23	1	Bracket, muffler
	6	1	Cover, air cleaner		24	2	Screw 5 x 20
	7	1	Nut		26	1	Gasket, muffler lid
	8	1	Plug, cover		25	1	Screen, muffler
	9	4	Plug		27	1	Lid, muffler
	10	1	O-ring 11		28	2	Screw 4 x 8
	11	1	Filter, air*		*	1	Felt Option, Air Filter
	12	1	Stud				
	13	1	Cover, cylinder				
	14	5	Screw 5 x 20				
	15	1	Filter				
	16	1	Cover				
	20	1	Gasket, muffler				
	21	1	Muffler				
	22	1	Screw 5 x 10				



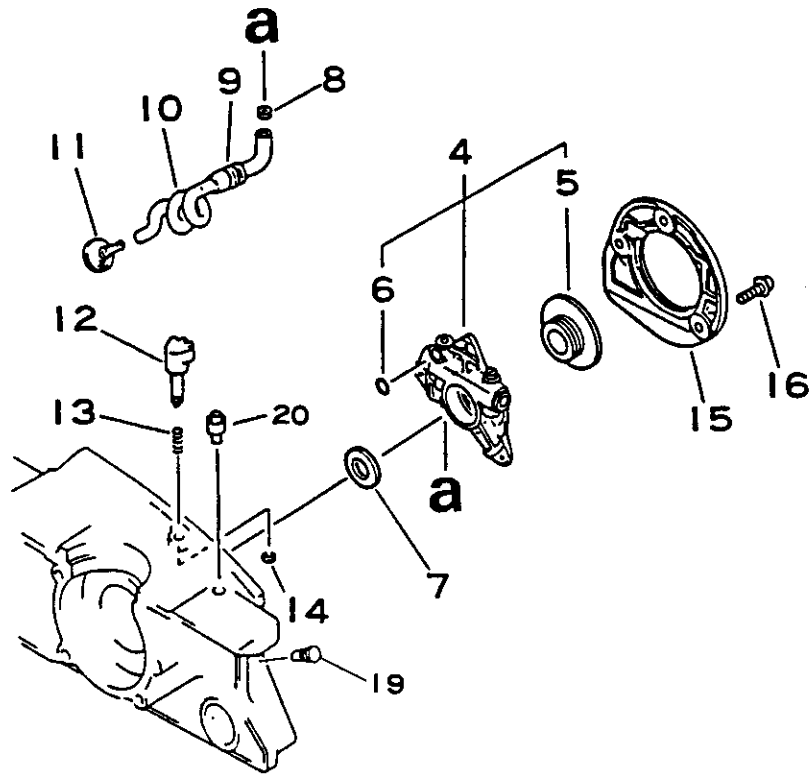
Key No.	Part Number	Q'ty	Description	Key No.	Part Number	Q'ty	Description
3-	5	1	Case, carburetor	3-	20	1	Plug
	6	1	Plate		22	1	Plate, ground
	7	1	Cushion		23	1	Label, switch
	8	1	Screw, idle adjust		26	1	Switch, ignition
	9	1	O-ring 6		27	1	Bracket, switch
	10	1	Grommet		29	1	Lead, ground
	11	1	Pipe, impulse		30	1	Grommet
	12	1	Screw 5 x 14		31	1	Cap, cushion
	13	2	Screw 5 x 53		32	1	Screw
	14	1	Gasket		33	1	Cushion
	15	1	Carburetor assembly		35	4	Screw 5 x 20
	16	1	Rod, choke		36	1	Screw 5 x 10
	17	1	Grommet, choke		37	1	Label, idle
	18	1	Rod, throttle		38	1	Spring, Idle Adjust
	19	1	Holder, lever				



Key No.	Part Number	Q'ty	Description	Key No.	Part Number	Q'ty	Description
4- 5	156 114-0492 0	1	Grommet	4- 15	-177 228-1983 0	1	Grip, starter
6	101 535-1983 0	1	Cover, fan (inner)	16	-177 227-0502 0	1	Guide, rope
7	177 200-1993 0	1	Starter assembly	17	-101 507-1983 0	1	Cover, fan
8	-900 281-0501 4	1	Screw 5 x 14	18	900 281-0502 0	4	Screw 5 x 20
9	-900 603-0000 5	1	Washer 5	19	890 112-1783 2	1	Label
10	-177 215-1983 0	1	Drum, starter				
11	-177 226-1983 0	1	Rope, strarter				
12	-177 242-0393 0	1	Plate, starter				
13	-177 220-0393 0	1	Spring, rewind				
14	-177 221-0393 0	1	Plate, starter				

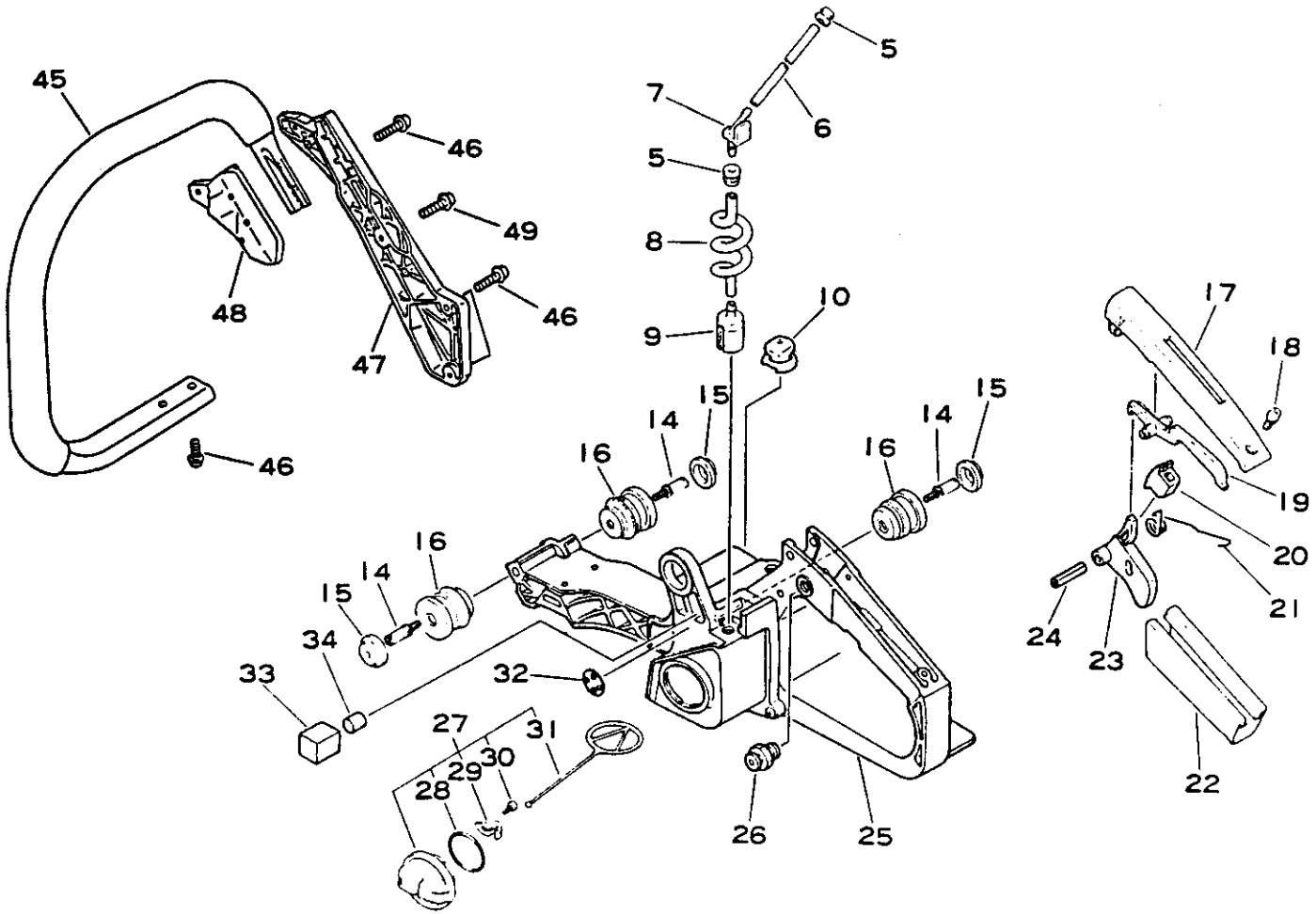


Key No.	Part Number	Q'ty	Description	Key No.	Part Number	Q'ty	Description
5-	5	1	Flywheel	5-	21	1	Coil, spark plug cap
	6	1	Fan, cooling		22	1	Plug, spark
	7	1	Washer		23	1	Nut
	8	1	Nut 8		24	1	Coil, ignition
	9	2	Spring, return		25	1	Lead
	10	2	Spacer, ratchet		26	4	Screw 4 x 20
	11	2	Pawl, starter		27	1	C.D.I. module
	12	2	Washer 5		28	1	Bushing
	13	2	Screw 5 x 14		29	1	Tube
	20	1	Cap, spark plug				

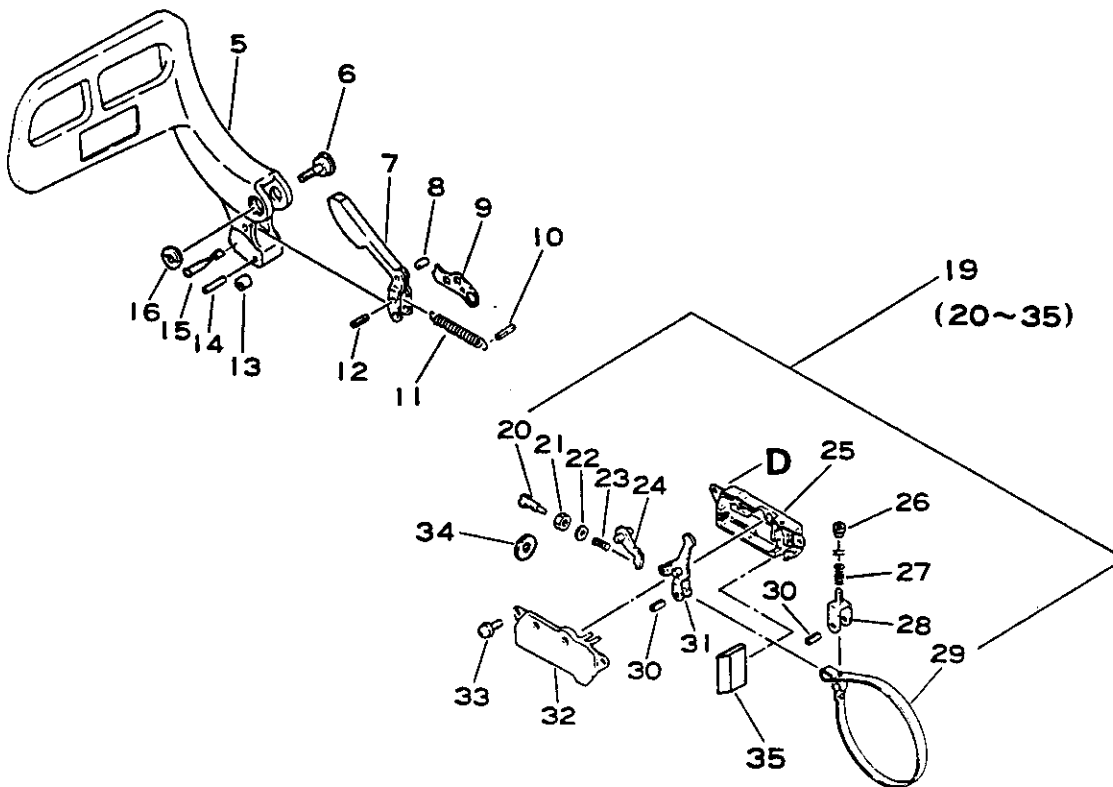


Key No.	Part Number	Q'ty	Description	Key No.	Part Number	Q'ty	Description
6- 4	437 000-3233 0	1	Auto-oiler assembly	6- 14	900 700-0000 3	1	E-ring 3
5	-437 063-3013 0	1	Worm	15	437 605-3243 0	1	Cover, oil pump
6	-900 720-0000 3	1	O-ring 3	16	900 281-0401 4	3	Screw 4 x 14
7	100 127-1983 0	1	Washer, adjusting	19	130 337-3253 0	1	Plug
8	132 013-2663 0	1	Clip	20	100 610-3013 0	1	Plug
9	132 115-1233 0	1	Grommet				
10	437 210-1993 0	1	Pipe, oil				
11	436 205-1473 0	1	Strainer, oil				
12	437 039-1983 1	1	Knob				
13	437 015-1983 0	1	Spring				

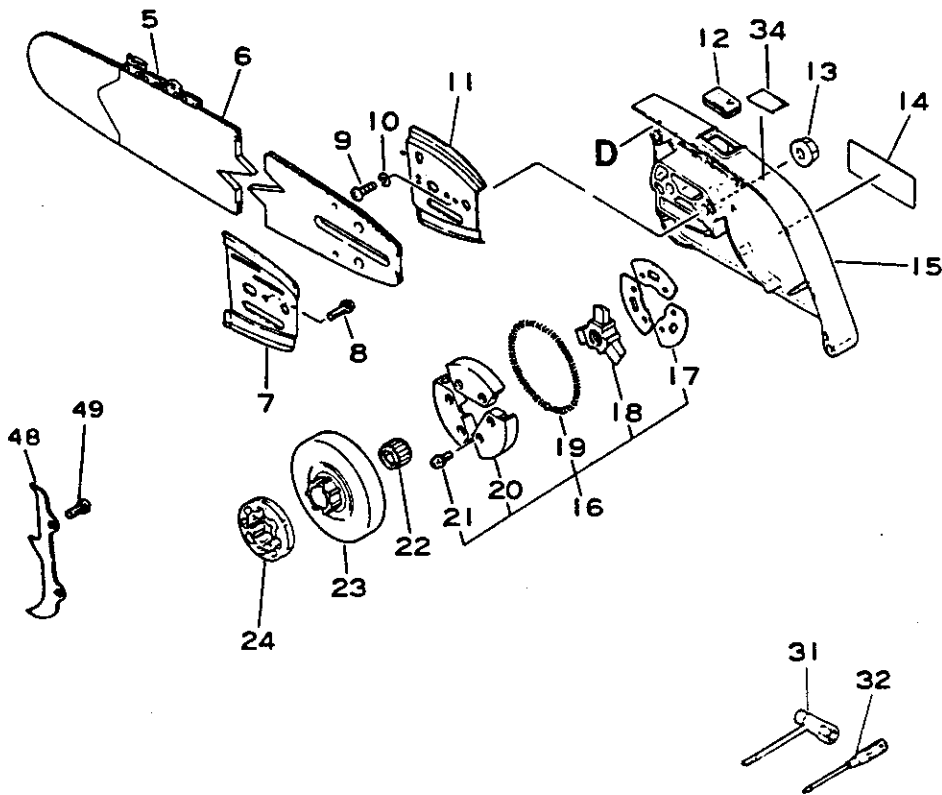
CS-4600 7



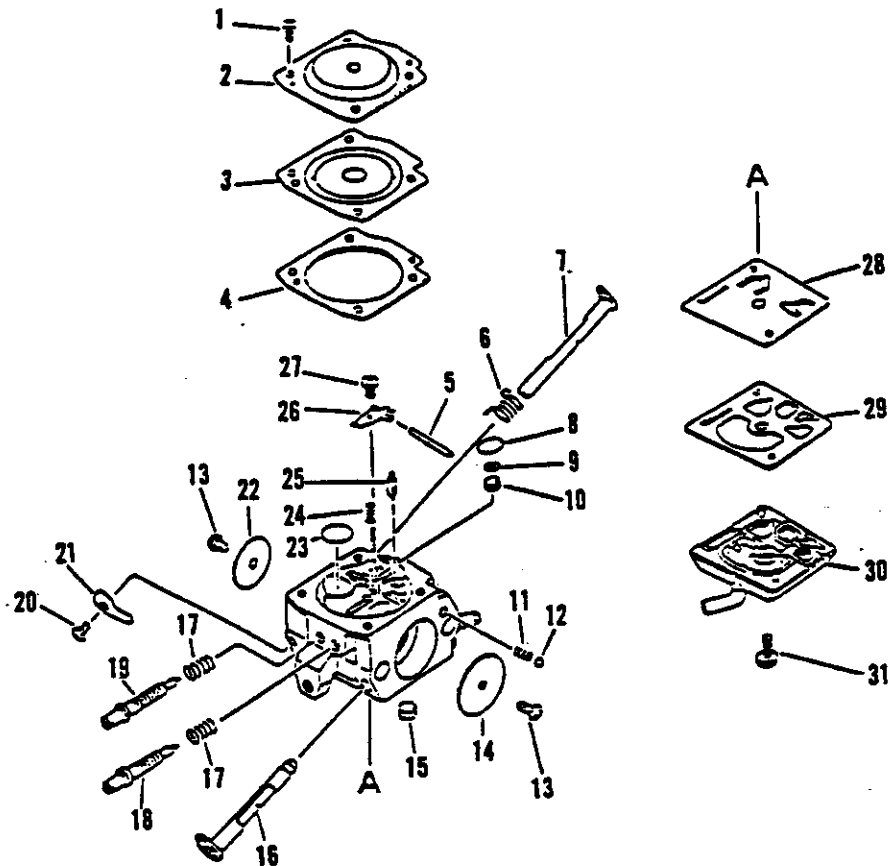
Key No.	Part Number	Q'ty	Description	Key No.	Part Number	Q'ty	Description
7- 5	132 115-0146 0	1	Grommet	7- 34	-131 019-1983 0	1	Filter
6	132 012-1983 0	1	Pipe, fuel	26	178 302-3013 0	1	Latch, throttle
7	132 011-1983 0	1	Connector, fuel pipe	27	131 004-1983 0	1	Cap assembly, fuel tank
8	132 010-1983 0	1	Pipe	28	-900 720-0002 9	1	O-ring 29
9	131 205-1983 0	1	Strainer, fuel	29	-131 050-1983 0	1	Retainer, link
10	100 251-1983 0	1	Cushion	30	-900 258-0300 8	1	Screw 3 x 8
14	100 915-3393 0	3	Screw	31	-131 051-1983 0	1	Link
15	100 918-1983 0	3	Cap, cushion	45	351 606-3333 0	1	Handle, front
16	100 910-3393 0	3	Cushion	46	900 285-0502 0	6	Screw, front
17	351 155-3013 1	1	Cover, handle	47	351 613-3333 0	1	Supporter, F. handle
18	900 246-0401 4	1	Tapping screw 4 x 14	48	351 614-3333 0	1	Bracket, F. handle
19	178 090-3013 0	1	Lockout, thr. control	49	900 281-0501 4	1	Screw 5 x 14
20	178 073-3243 0	1	Cushion, throttle				
21	178 043-1983 0	1	Spring, thr. return				
22	351 111-3013 0	1	Grip				
23	178 005-3333 0	1	Control, throttle				
24	900 345-5002 5	1	Pin, spring 5 x 25				
25	351 103-3333 0	1	Handle, rear				
32	-100 252-1983 0	1	Cushion				
33	-131 020-1983 0	1	Breather				



Key No.	Part Number	Q'ty	Description	Key No.	Part Number	Q'ty	Description
8-	433 201-3023 1	1	Lever assembly, brake	8-	21	1	Nut 5
5	-433 105-3023 1	1	Lever, brake	22	-433 162-1993 0	1	Washer
6	-433 113-3013 0	1	Screw	23	-433 122-1993 0	1	Spring, brake
7	-433 170-3013 0	1	Weight, brake	24	-433 209-1993 0	1	Stopper
8	-900 330-4008 0	1	Pin 4 x 8	25	-433 306-1993 0	1	Cover, brake
9	-433 163-3243 0	1	Stopper	26	-433 169-1993 1	1	Nut, adjusting
10	-900 345-3002 0	1	Pin, spring 3 x 20	27	-433 161-1993 0	1	Spring
11	-433 114-3013 0	1	Spring, return	28	-433 142-1993 1	1	Adjuster
12	-900 345-3001 2	1	Pin, spring 3 x 12 SUS	29	-433 123-1993 0	1	Band, brake
13	-433 168-1993 0	1	Spacer (B)	30	-900 345-4001 0	2	Pin, spring 4 x 10
14	-900 330-4008 0	1	Pin 4 x 8	31	-433 208-3023 0	1	Lever, brake
15	-900 330-3024 0	1	Pin 3 x 24	32	-433 310-1993 1	1	Cover
16	-433 137-3013 0	1	Nut	33	-900 281-0401 0	2	Screw 4 x 10
19	433 202-3023 0	1	Brake kit, chain	34	-900 617-0000 5	1	Washer 5
20	-433 133-1993 0	1	Bolt	35	-433 313-1993 0	1	Seal



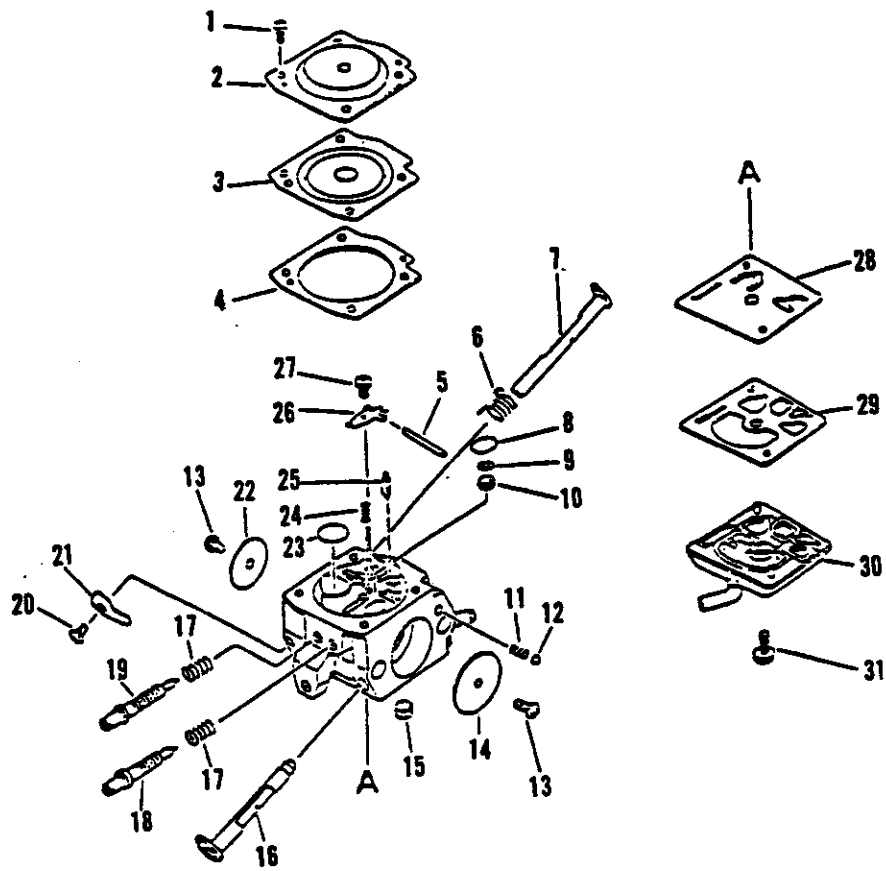
Key No.	Part Number	Q'ty	Description	Key No.	Part Number	Q'ty	Description	
9-	7	433 013-1983 1	1	Plate	9- 22	175 012-1983 0	1	Bearing, needle
	8	900 281-0400 8	1	Screw 4 x 8	23	175 105-1983 1	1	Drum, clutch
	9	900 220-0300 6	1	Screw 3 x 6	24	175 114-1253 0	1	Sprocket, rim .325
	10	900 605-0000 3	1	Washer, spring 3	25	890 155-3013 0	1	Label, caution
	11	433 012-1453 3	1	Plate	31	895 410-0283 0	1	Wrench, w/s. driver
	12	433 312-1993 0	1	Cover, seal	32	895 812-0393 0	1	Screwdriver
	13	433 019-1233 0	2	Nut, flange 8	48	880 200-3013 1	1	Bumper kit, spiked
	14	890 118-1833 2	1	Label, ECHO	49	-880 211-3013 0	2	Bolt
	15	433 005-3013 0	1	Guard, sprocket				
	16	175 000-1983 0	1	Clutch assembly				
	17	-175 019-1983 0	3	Plate, clutch				
	18	-175 016-1983 0	1	Hub, clutch				
	19	-175 018-1983 0	1	Spring, clutch				
	20	-175 002-1983 0	1	Shoe kit, clutch				
	21	-900 281-0400 8	6	Screw 4 x 8				



KEY	PART NUMBER	QTY	DESCRIPTION	REMARKS
	125200 33330	1	CARBURETOR ASY	INCLUDES ITEMS BELOW
1	B	4	SCREW	
2	125342 33330	1	COVER, DIAPHRAGM	
3	A B	1	DIAPHRAGM	
4	A B	1	GASKET, DIAPHRAGM	
5	B	1	PIN, ARM	
6	125313 33330	1	SPRING, THROTTLE RETURN	
7	125317 33330	1	SHAFT, THROTTLE	
8	B	1	PLUG, WELCH	
9	B	1	RING, RETAINING	
10	B	1	STRAINER	
11	125335 33330	1	SPRING, THROTTLE FRICTION	
12	125336 33330	1	BALL	
13	125314 13930	2	SCREW	
14	125332 33330	1	VALVE, CHOKE	
15	125326 42030	1	STRAINER	
16	125331 33330	1	SHAFT, CHOKE	
17	B	2	SPRING, COIL	
18	125320 33330	1	NEEDLE, HIGH SPEED	
19	125318 33330	1	NEEDLE, IDLE	
20	125348 13930	1	SCREW	

CONTINUED

CS-4600



KEY	PART NUMBER	QTY	DESCRIPTION	REMARKS
21	125350 33330	1	LEVER, THROTTLE	
22	125316 33330	1	VALVE, THROTTLE	
23	B	1	PLUG, WELCH	
24	B	1	SPRING, COIL	
25	B	1	VALVE, NEEDLE	
26	B	1	ARM, VALVE	
27	B	1	SCREW	
28	A B	1	DIAPHRAGM, FUEL PUMP	
29	A B	1	GASKET, FUEL PUMP	
30	125324 33330	1	COVER, PUMP	
31	125310 13930	1	SCREW	
A	125303 33330	1	GASKET/DIAPHRAGM KIT	
B	125302 33330	1	REPAIR KIT	

KEY	PART NUMBER	QTY	DESCRIPTION	REMARKS
A	125303 33330	1	GASKET/DIAPHRAGM KIT	INCLUDES ITEMS BELOW
		1	DIAPHRAGM	
		1	GASKET, DIAPHRAGM	
		1	DIAPHRAGM, FUEL PUMP	
		1	GASKET, FUEL PUMP	
B	125302 33330	1	REPAIR KIT	INCLUDES ITEMS BELOW
	125303 33330	1	GASKET/DIAPHRAGM KIT	
		1	PIN, ARM	
		1	PLUG, WELCH	
		1	RING, RETAINING	
		1	STRAINER	
		2	SPRING, COIL	
		1	PLUG, WELCH	
		1	SPRING, COIL	
		1	VALVE, NEEDLE	
		1	ARM, VALVE	
		1	SCREW	