



OPTIONAL ATTACHMENTS & ACCESSORIES

Accessories

99944200201 GT Shoulder Harness Kit

Cutting Heads

215311 Maxi-Cut Head

21560040 ECHOMATIC Single Line Head

21560056 2-Line Rapid Loader Trimmer Head

PARTS CATALOG
GT-200i Trimmer

21.2cc

SERIAL NUMBERS

S/N: 05001001 - 05999999

ECHO, INCORPORATED

400 Oakwood Road Lake Zurich, Illinois 60047 USA

WWW.ECHO-USA.COM



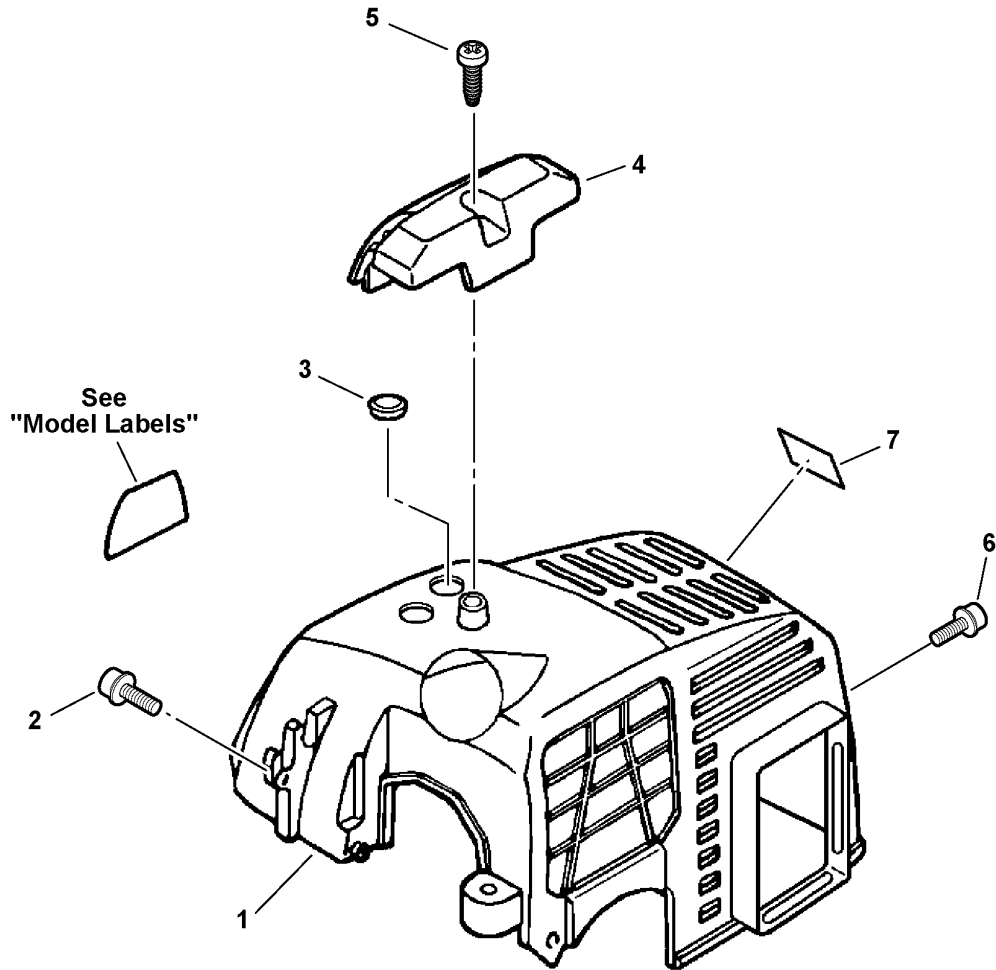
Table of Contents

Click Any Diagram Description Below To View That Diagram.

GT-200i S/N: 05001001 - 05999999

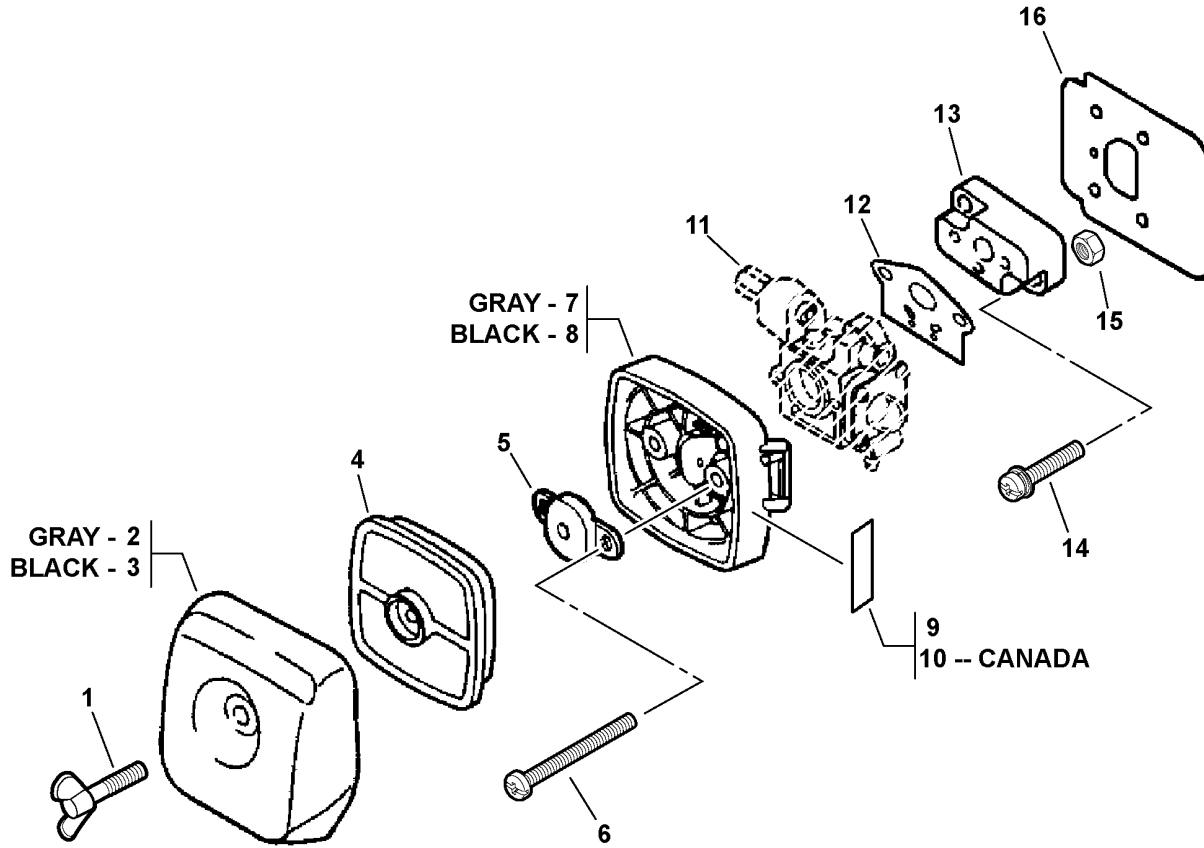
Cylinder Cover.....	4
Intake.....	6
Carburetor -- RB-K66B S/N: 05001001 - 05026559.....	8
Carburetor -- RB-K70 S/N: 05026560 - 05030474.....	10
Carburetor -- RB-K70A S/N: 05030475 - 05999999.....	12
Exhaust.....	14
Starter -- i-Start.....	16
Fan Case, Clutch, Ignition Switch.....	18
Fuel System.....	20
Ignition.....	22
Engine, Short Block -- SB1065.....	24
Rapid Loader Head.....	26
Plastic Shield.....	28
Gear Case.....	30
Main Pipe, Flexible Driveshaft.....	32
Handles, Throttle Cable.....	34
Model Labels.....	36
Gasket Kits.....	38
Part Number Index.....	40
Part Description Index.....	41

This Page Intentionally Left Blank



001 0004 000

ITEM	PART NUMBER	QTY	DESCRIPTION	REMARKS
1	A160000170	1	COVER, ENGINE	
2	90025304012	2	SCREW - 4X12 -- TAPPING	
3	V141000030	1	PLUG	
4	A162000040	1	GUARD, TOP	
5	90025305016	1	SCREW - 5X16 -- TAPPING	
6	9110704008	1	SCREW - 4X8	
7	X505002310	1	LABEL - CAUTION -- HOT	

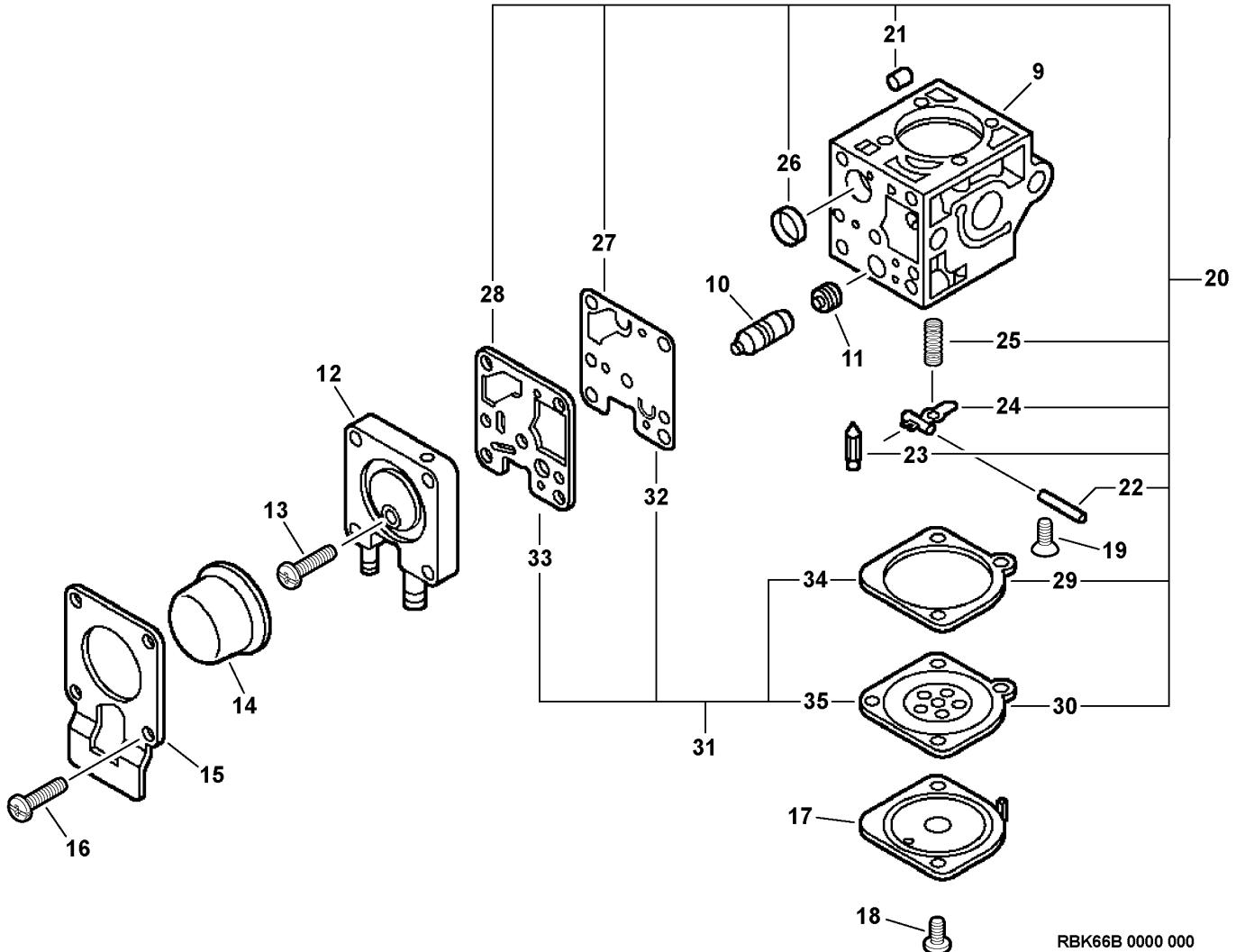
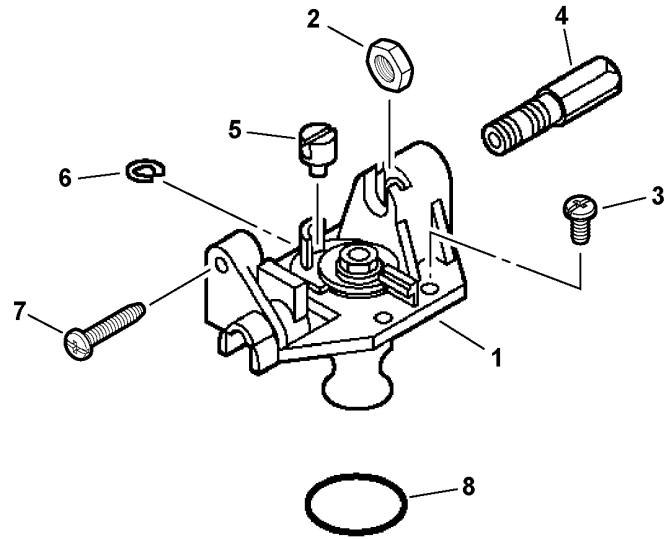


005 0007 000

ITEM	PART NUMBER	QTY	DESCRIPTION	REMARKS
1	21041752730	1	THUMBSCREW	
2	13031306563	1	COVER, AIR CLEANER - GRAY	
3	13031305863	1	COVER, AIR CLEANER - BLACK	
4	13031054130	1	FILTER, AIR - SINGLE LAYER ¹	
5	12901152730	1	PLATE, PREVENT	
6	90022005065	2	SCREW - 5X65	
7	P021000991	1	CASE, AIR CLEANER - GRAY	
8	P021004480	1	CASE, AIR CLEANER - BLACK	
9	89012152730	1	LABEL - CHOKE	
10	89012152730	1	LABEL - CHOKE	CANADA MODELS
11	-----	1	CARBURETOR	See Carburetor Diagram For Additional Information
12	13001013410	1	GASKET, INTAKE ²	
13	13001744330	1	INSULATOR, INTAKE	
14	90023805020	2	SCREW - 5X20	
15	90050000005	2	NUT	
16	V103000490	1	SHIELD, INTAKE ²	

Footnotes

- 1: Also Included In REPOWER TUNE-UP KIT
- 2: Also Included In GASKET KIT

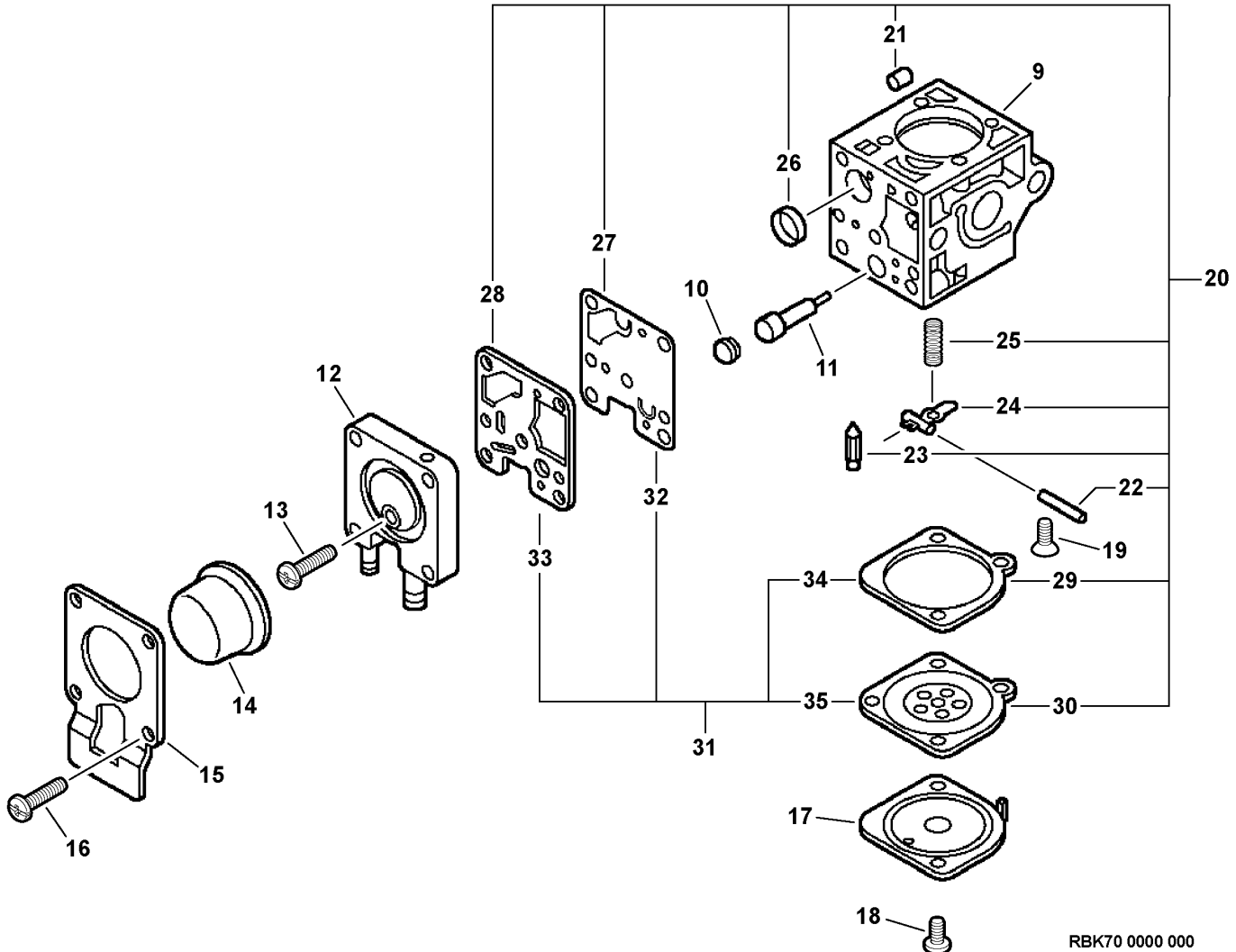
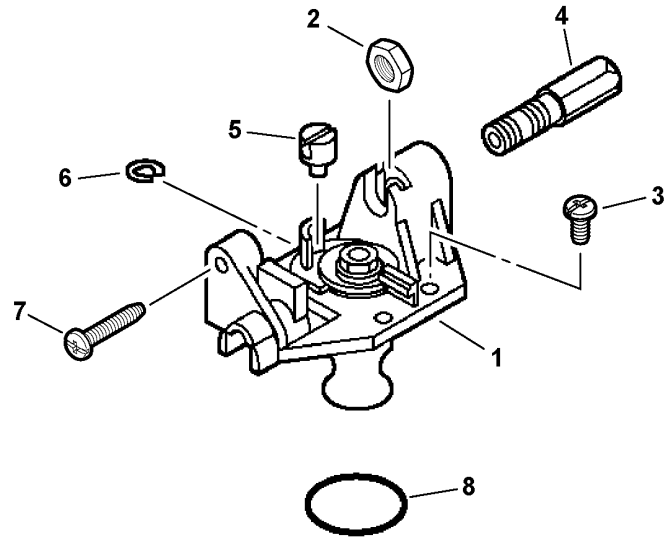


RBK66B 0000 000

ITEM	PART NUMBER	QTY	DESCRIPTION	REMARKS
	A021000382	1	CARBURETOR -- RB-K66B	
1	P005000690	1	ROTOR COVER ASY	
2	P005000120	1	NUT	
3	12534413931	3	SCREW	
4	P005000700	1	SCREW, CABLE ADJUST	
5	P005000180	1	SWIVEL	
6	P005000190	1	RING, RETAINING	
7	P005000100	1	SCREW, IDLE ADJUST	
8	P005000280	1	O-RING	
9	-----	1	BODY, CARBURETOR ¹	
10	P005000370	1	PLUG KIT	
11	P005000570	1	JET	
12	P005000930	1	BASE, PURGE	
13	P005000270	1	SCREW, PURGE BASE	
14	12538108660	1	BULB, PURGE	
15	P005000250	1	RETAINER, PURGE BULB	
16	12531061830	4	SCREW, PURGE BULB RETAINER	
17	12534252130	1	COVER, DIAPHRAGM	
18	12534452130	2	SCREW	
19	12533942030	1	SCREW, METERING LEVER PIN	
20	P005000950	1	REPAIR KIT	INCLUDES ITEMS 21-30
21	P005001000	1	GUIDE, ROLLER	
22	-----	1	PIN, METERING LEVER	
23	-----	1	VALVE, INLET NEEDLE	
24	-----	1	LEVER, METERING	
25	-----	1	SPRING, METERING LEVER	
26	-----	1	STRAINER	
27	-----	1	DIAPHRAGM, PUMP	
28	-----	1	GASKET, PUMP	
29	-----	1	GASKET, DIAPHRAGM	
30	-----	1	DIAPHRAGM, METERING	
31	P005000550	1	DIAPHRAGM/GASKET KIT	INCLUDES ITEMS 32-35
32	-----	1	DIAPHRAGM, PUMP	
33	-----	1	GASKET, PUMP	
34	-----	1	GASKET, DIAPHRAGM	
35	-----	1	DIAPHRAGM, METERING	

Footnotes

1: NOT AVAILABLE SEPARATELY

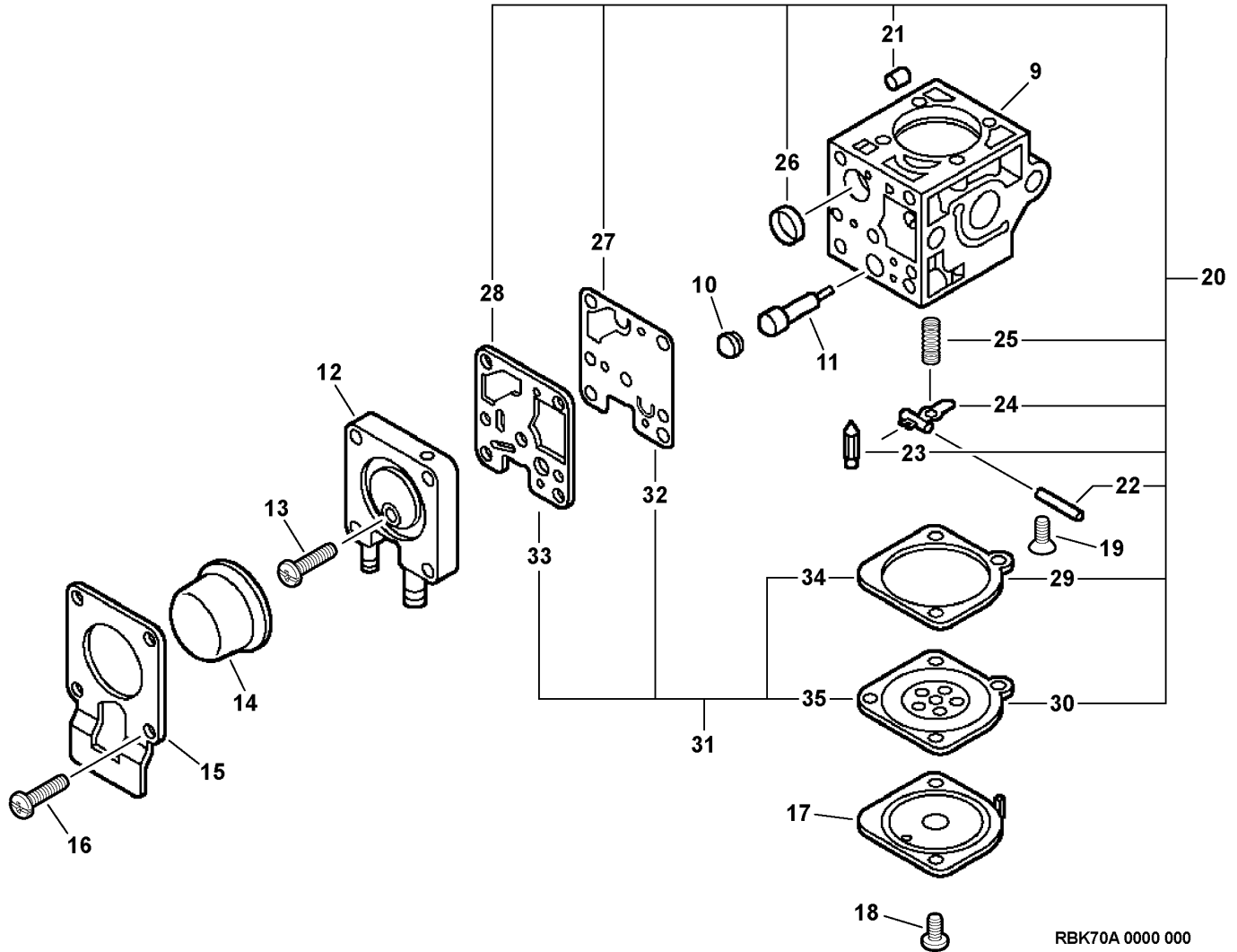
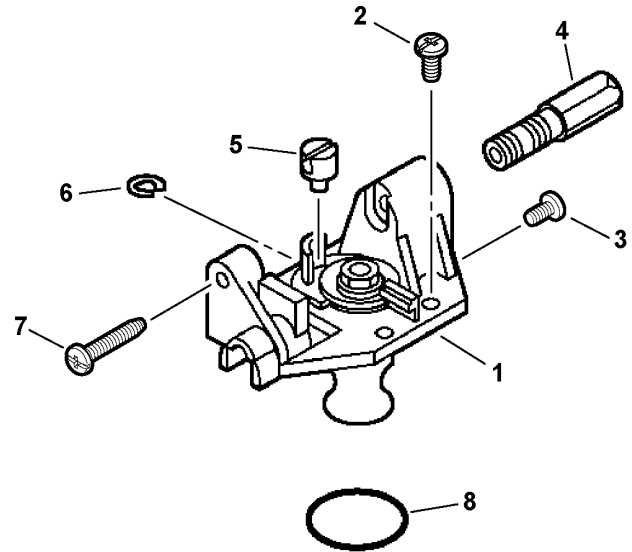


RBK70 0000 000

ITEM	PART NUMBER	QTY	DESCRIPTION	REMARKS
	A021000720	1	CARBURETOR -- RB-K70	
1	P005001230	1	ROTOR COVER ASY	
2	P005000120	1	NUT	
3	12534413931	3	SCREW	
4	P005000700	1	SCREW, CABLE ADJUST	
5	P005001240	1	SWIVEL	
6	P005000190	1	RING, RETAINING	
7	P005000100	1	SCREW, IDLE ADJUST	
8	P005000280	1	O-RING	
9	-----	1	BODY, CARBURETOR ¹	
10	P005001270	1	CAP, LIMITER	
11	P005001260	1	NEEDLE - HIGH SPEED	
12	P005000930	1	BASE, PURGE	
13	P005000270	1	SCREW, PURGE BASE	
14	12538108660	1	BULB, PURGE	
15	P005000250	1	RETAINER, PURGE BULB	
16	12531061830	4	SCREW, PURGE BULB RETAINER	
17	12534252130	1	COVER, DIAPHRAGM	
18	12534452130	2	SCREW	
19	12533942030	1	SCREW, METERING LEVER PIN	
20	P005000950	1	REPAIR KIT	INCLUDES ITEMS 21-30
21	P005001000	1	GUIDE, ROLLER	
22	-----	1	PIN, METERING LEVER	
23	-----	1	VALVE, INLET NEEDLE	
24	-----	1	LEVER, METERING	
25	-----	1	SPRING	
26	-----	1	STRAINER	
27	-----	1	DIAPHRAGM, PUMP	
28	-----	1	GASKET, PUMP	
29	-----	1	GASKET, DIAPHRAGM	
30	-----	1	DIAPHRAGM, METERING	
31	P005000550	1	DIAPHRAGM/GASKET KIT	INCLUDES ITEMS 32-35
32	-----	1	DIAPHRAGM, PUMP	
33	-----	1	GASKET, PUMP	
34	-----	1	GASKET, DIAPHRAGM	
35	-----	1	DIAPHRAGM, METERING	

Footnotes

1: NOT AVAILABLE SEPARATELY

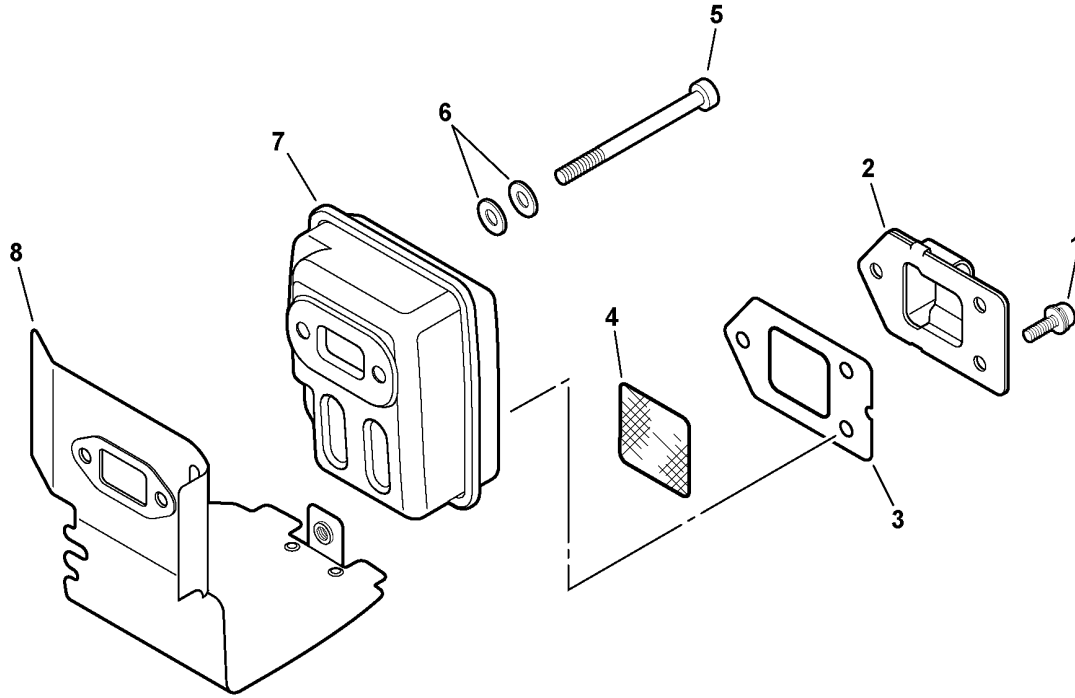


RBK70A 0000 000

ITEM	PART NUMBER	QTY	DESCRIPTION	REMARKS
	A021000721	1	CARBURETOR -- RB-K70A	
1	P005001620	1	ROTOR COVER ASY	
2	12534413931	3	SCREW	
3	12534452130	1	SCREW	
4	P005001330	1	SCREW, CABLE ADJUST	
5	P005001240	1	SWIVEL	
6	P005000190	1	RING, RETAINING	
7	P005000100	1	SCREW, IDLE ADJUST	
8	P005000280	1	O-RING	
9	-----	1	BODY, CARBURETOR ¹	
10	P005001270	1	CAP, LIMITER	
11	P005001260	1	NEEDLE - HIGH SPEED	
12	P005000930	1	BASE, PURGE	
13	P005000270	1	SCREW, PURGE BASE	
14	12538108660	1	BULB, PURGE	
15	P005000250	1	RETAINER, PURGE BULB	
16	12531061830	4	SCREW, PURGE BULB RETAINER	
17	12534252130	1	COVER, DIAPHRAGM	
18	12534452130	3	SCREW	
19	12533942030	1	SCREW, METERING LEVER PIN	
20	P005000950	1	REPAIR KIT	INCLUDES ITEMS 21-30
21	P005001000	1	GUIDE, ROLLER	
22	-----	1	PIN, METERING LEVER	
23	-----	1	VALVE, INLET NEEDLE	
24	-----	1	LEVER, METERING	
25	-----	1	SPRING, METERING LEVER	
26	-----	1	STRAINER	
27	-----	1	DIAPHRAGM, PUMP	
28	-----	1	GASKET, PUMP	
29	-----	1	GASKET, DIAPHRAGM	
30	-----	1	DIAPHRAGM, METERING	
31	P005000550	1	DIAPHRAGM/GASKET KIT	INCLUDES ITEMS 32-35
32	-----	1	DIAPHRAGM, PUMP	
33	-----	1	GASKET, PUMP	
34	-----	1	GASKET, DIAPHRAGM	
35	-----	1	DIAPHRAGM, METERING	

Footnotes

1: NOT AVAILABLE SEPARATELY

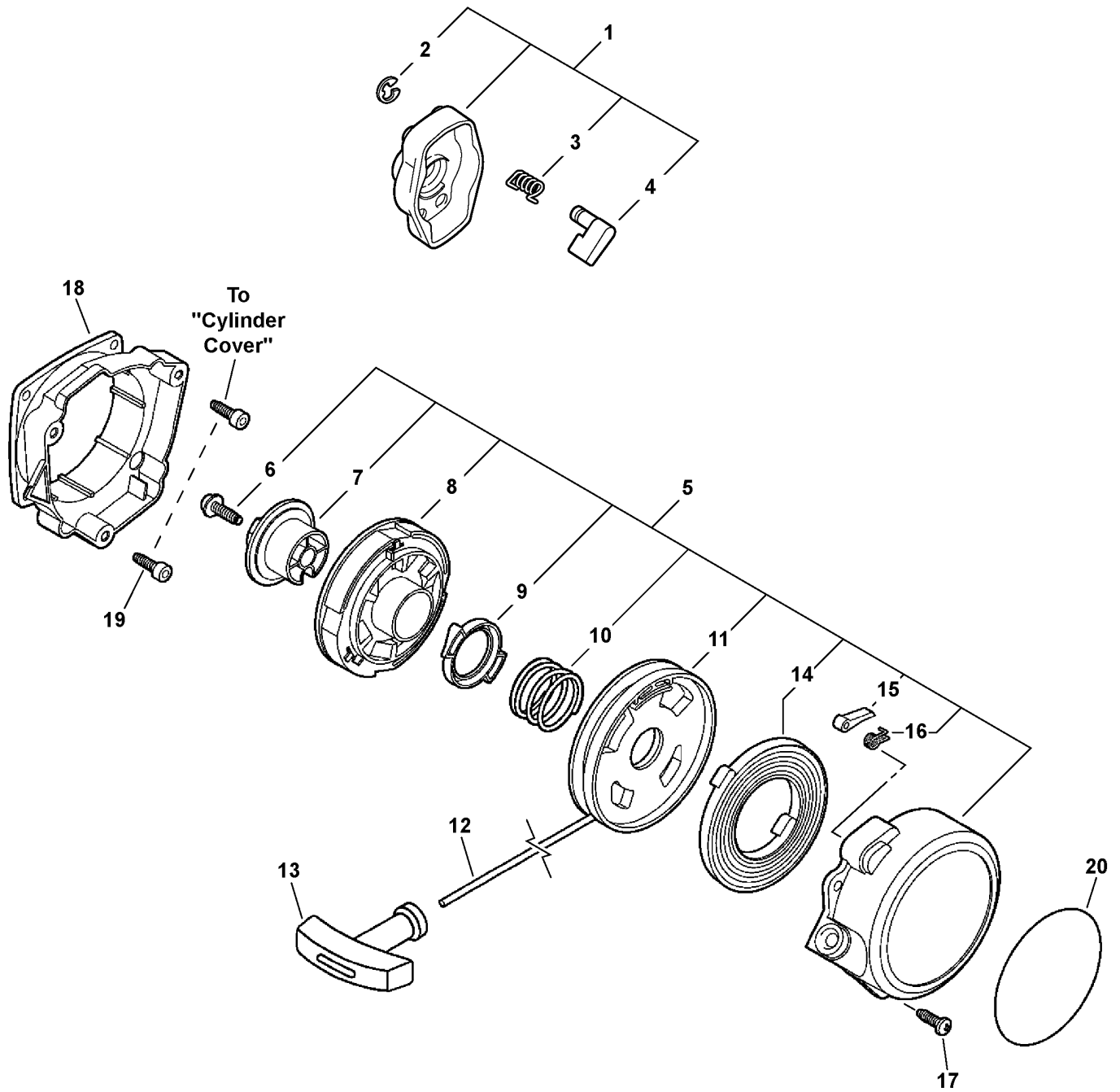


006 0010 000

ITEM	PART NUMBER	QTY	DESCRIPTION	REMARKS
1	90024204010	3	SCREW - 4X10	
2	A313000350	1	GUIDE, EXHAUST ¹	
3	14586642031	1	GASKET, EXHAUST	
4	14586240630	1	SCREEN, SPARK ARRESTER	
5	90010505055	2	SCREW - 5X55	
6	90060000005	2	WASHER	
7	14580642030	1	MUFFLER ASY	
8	V104000420	1	SHIELD, EXHAUST ¹	

Footnotes

¹: Also Included In GASKET KIT

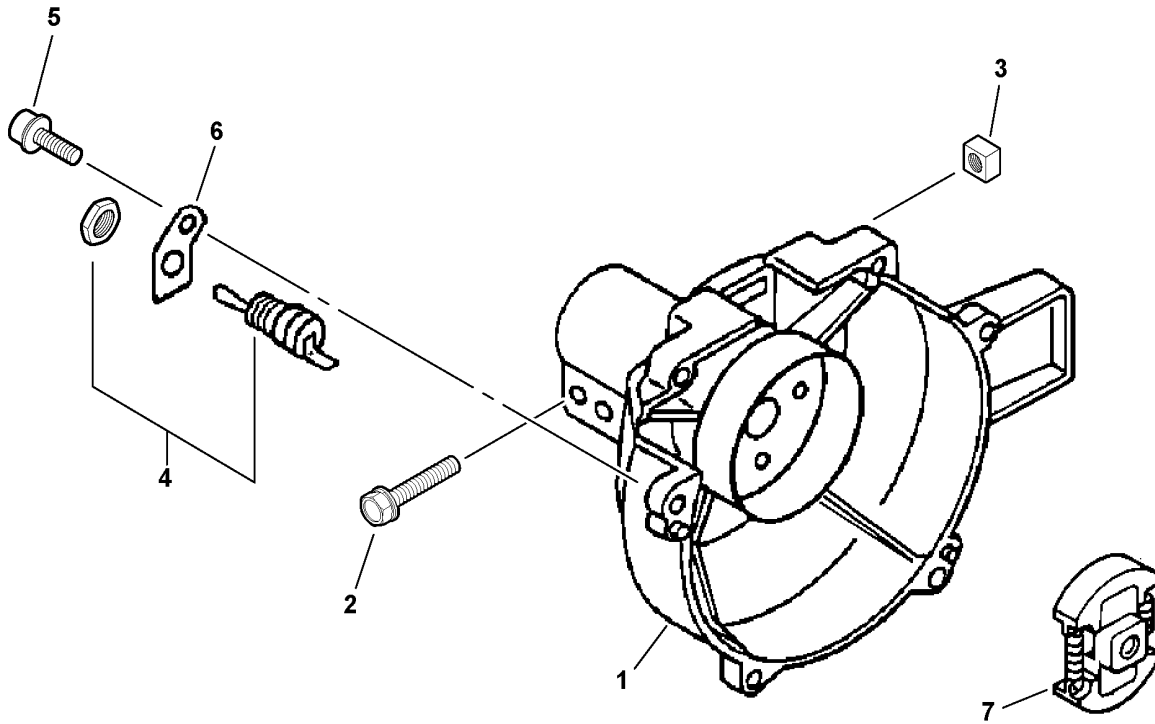


004 0007 000

ITEM	PART NUMBER	QTY	DESCRIPTION	REMARKS
1	A052000130	1	STARTER PAWL ASY	INCLUDES ITEMS 2-4
2	P022002100	2	RING, RETAINING - 4	
3	17723412220	2	SPRING, RETURN	
4	P022004740	2	PAWL, STARTER	
5	A051000360	1	STARTER ASY	INCLUDES ITEMS 6-16
6	P022004630	1	SCREW	
7	P022004640	1	PLATE, CAM	
8	P022004700	1	SPRING ASY	
9	P022004670	1	PAWL	
10	P022004660	1	SPRING, RETURN	
11	P022004690	1	REEL, ROPE	
12	P022004600	1	ROPE, STARTER - 3X800 ¹	REPOWER BULK OPTION: 99944440000
13	P022004990	1	GRIP, STARTER	
14	P022004680	1	SPRING, REWIND	
15	P022004620	2	PAWL, STARTER	
16	P022004610	2	SPRING, PAWL RETURN	
17	90025305020	3	SCREW - 5X20 -- TAPPING	
18	V376000361	1	SPACER	
19	90016304016	4	SCREW - 4X16	
20	X502000032	1	LABEL - ECHO -- i	

Footnotes

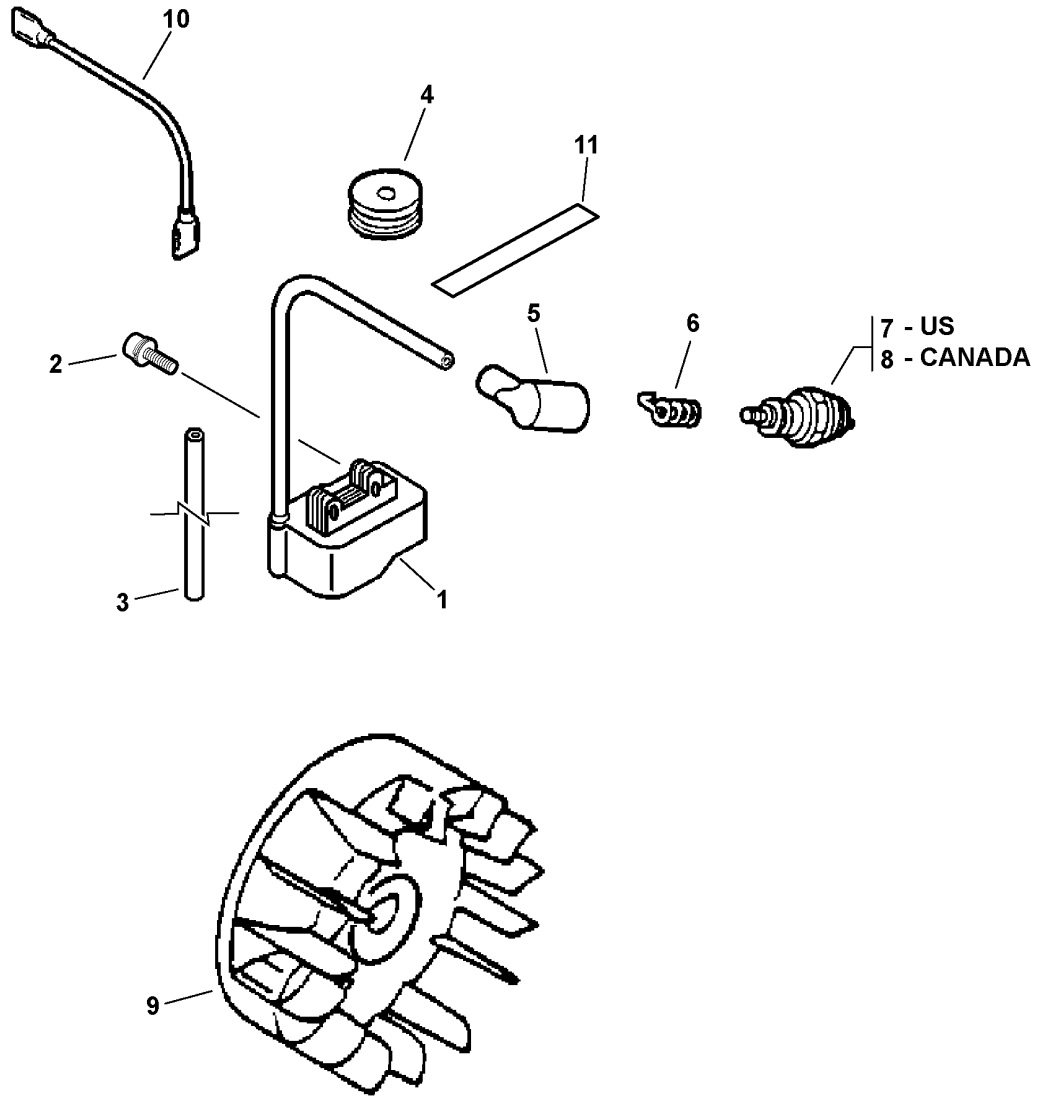
1: BULK OPTION: 99944440000



003 0002 000

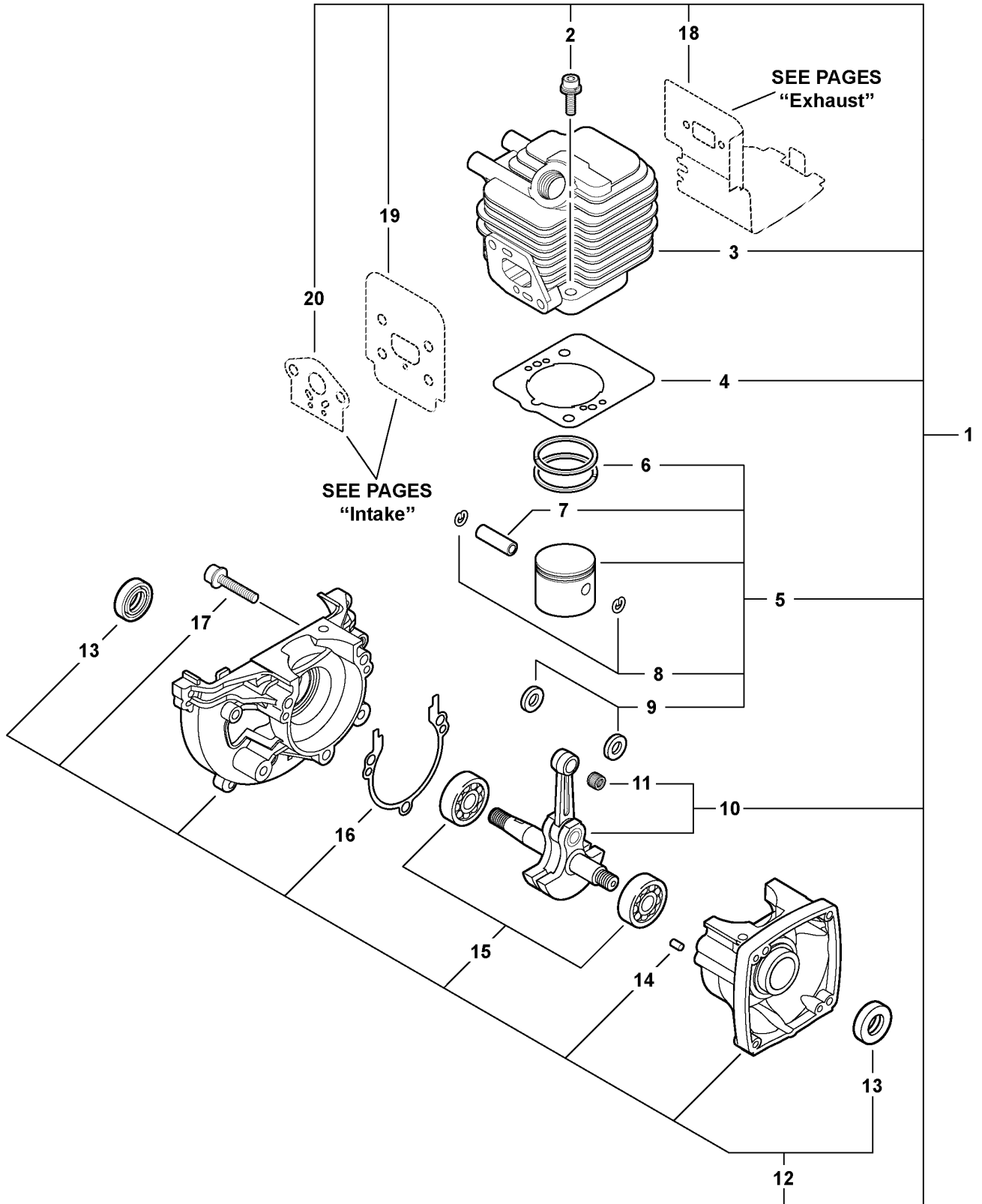
ITEM	PART NUMBER	QTY	DESCRIPTION	REMARKS
1	10150356630	1	FAN CASE ASY	
2	90014205028	2	BOLT - 5X28	
3	90056550005	2	NUT - 5 -- SQUARE	
4	16340003460	1	IGNITION SWITCH ASY	
5	90016304018	4	SCREW - 4X18	
6	16381044330	1	BRACKET, SWITCH	
7	17500056830	1	CLUTCH ASY	

ITEM	PART NUMBER	QTY	DESCRIPTION	REMARKS
1	A350000220	1	FUEL TANK ASY	INCLUDES ITEM 2
2	13104528230	2	COLLAR	
3	90060300005	2	WASHER - 5	
4	90016205016	2	SCREW - 5X16	
5	13100455530	1	CAP ASY - ORANGE	INCLUDES ITEMS 6-7
6	13105156030	1	CONNECTOR, CAP	
7	13101655830	1	GASKET	
8	V137000030	1	GROMMET	
9	13120507320	1	FILTER, FUEL	
10	13201309820	1	CLIP	
11	V471001190	1	PIPE, PRIMER - 3X5X180	REPOWER BULK OPTION: 90014
12	V471001200	1	PIPE - 3X5X70	REPOWER BULK OPTION: 90014
13	A356000030	1	VENT ASY	
14	13201256030	1	PIPE, RETURN - 3X6X80	REPOWER BULK OPTION: 90017



007 0007 000

ITEM	PART NUMBER	QTY	DESCRIPTION	REMARKS
1	A411000130	1	COIL, IGNITION	
2	90016204020	2	SCREW - 4X20	
3	15611054930	1	TUBE, INSULATOR	
4	15011244330	1	GROMMET	
5	15901201620	1	CAP, SPARK PLUG	
6	15901103432	1	TERMINAL, SPARK PLUG CAP	
7	15901019830	1	SPARK PLUG -- BPM-8Y	
8	A425000000	1	SPARK PLUG -- BPMR-8Y	CANADA MODELS
9	A409000160	1	FLYWHEEL	
10	V485000290	1	LEAD - GROUND	
11	X532000671	1	LABEL - SPARK PLUG -- BPM-8Y	

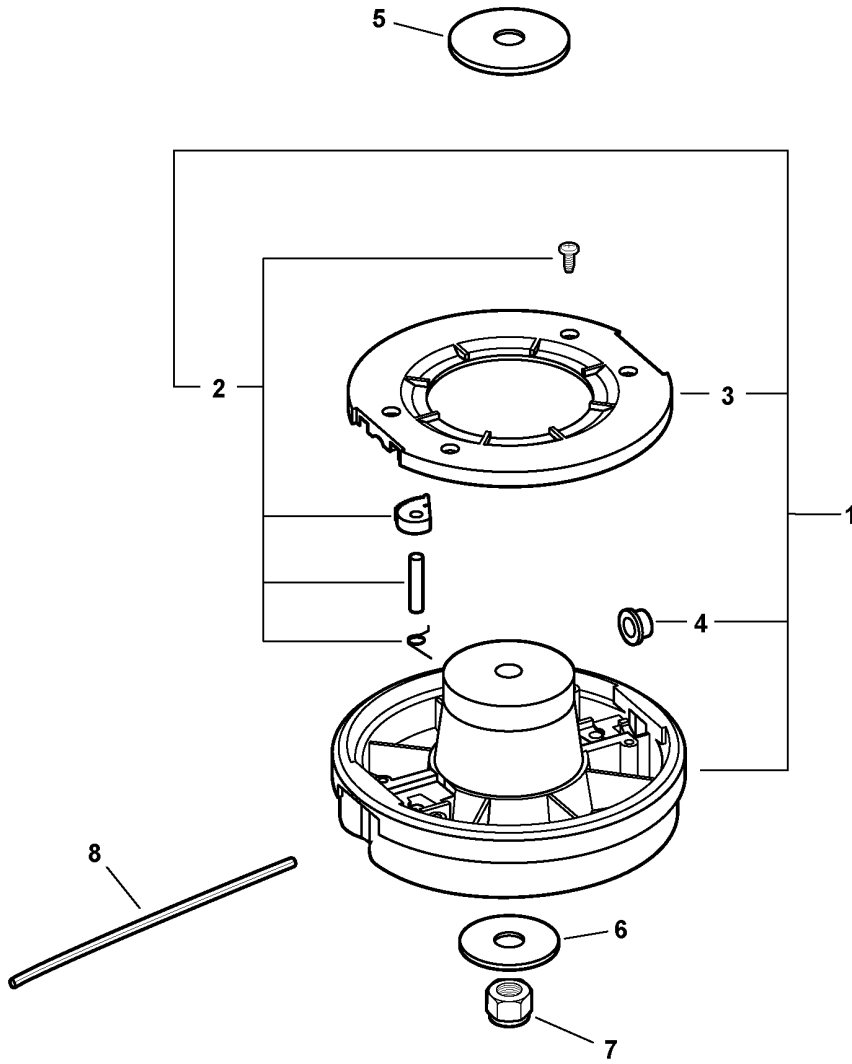


SB1065 0000 000

ITEM	PART NUMBER	QTY	DESCRIPTION	REMARKS
1	SB1065	1	SHORT BLOCK -- SB1065	INCLUDES ITEM 2-20
2	90016205022	2	SCREW - 5X22	
3	A130000430	1	CYLINDER	
4	V100000080	1	GASKET, CYLINDER ¹	
5	P021001101	1	PISTON KIT	INCLUDES ITEMS 6-9
6	A101000000	2	RING, PISTON	
7	10001311520	1	PIN, PISTON	
8	10001504630	2	RING, RETAINING	
9	10001411520	2	SPACER, PISTON	
10	A011000101	1	CRANKSHAFT ASY	INCLUDES ITEM 11
11	V553000010	1	BEARING, NEEDLE - 8	
12	10020452132	1	CRANKCASE KIT	INCLUDES ITEMS 13-17
13	10021242031	2	SEAL, OIL	
14	V622000020	2	PIN, DOWEL	
15	9403536201	2	BEARING, BALL - 6201	
16	10024242030	1	GASKET, CRANKCASE ¹	
17	90016205028	3	SCREW - 5X28	
18	-----	1	SHIELD, EXHAUST ¹	
19	-----	1	SHIELD, INTAKE ¹	
20	-----	1	GASKET, INTAKE ¹	

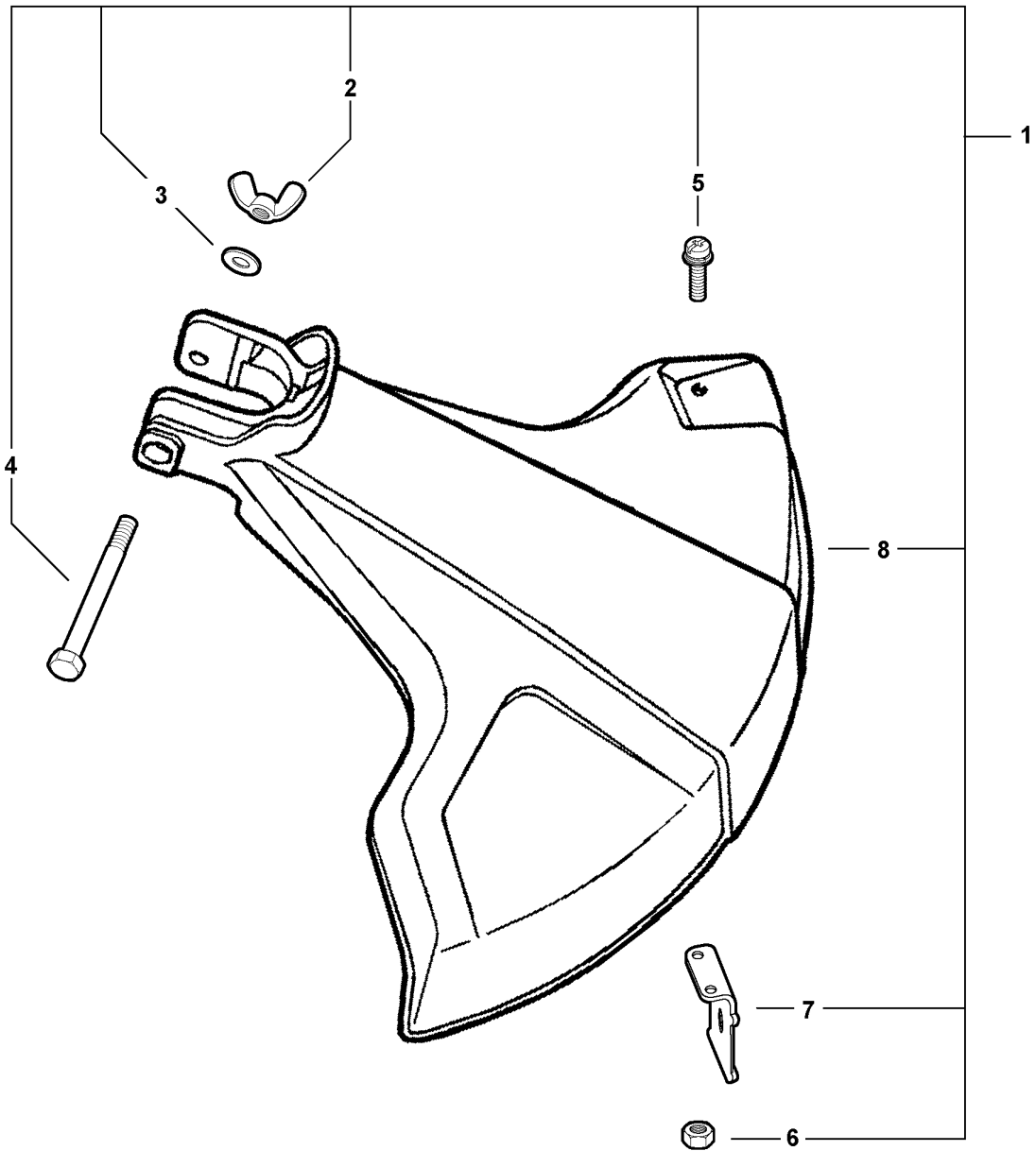
Footnotes

1: Also Included In GASKET KIT



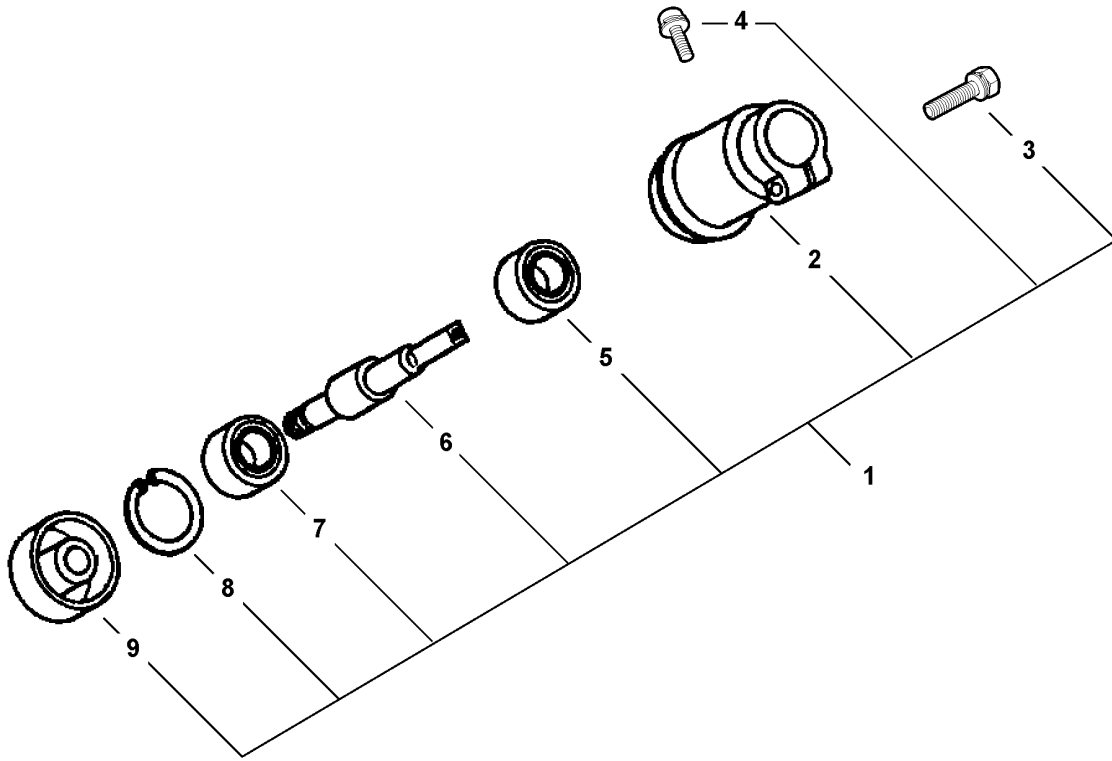
035 0001 000

ITEM	PART NUMBER	QTY	DESCRIPTION	REMARKS
1	X48000020	1	TWO LINE RAPID LOADER ATTACHMENT	INCLUDES ITEM 2-4
2	P022001091	1	REPAIR KIT	INCLUDES 3 OF EACH
3	P022001070	1	COVER, TOP	
4	P022001080	2	EYELET	INCLUDES 3 PER PACKAGE
5	V307000110	1	WASHER	
6	V307000080	1	WASHER - 10	
7	V266000030	1	LOCKNUT	
8	102212131	1	LINE, CUTTING - 0.80in	INCLUDES 20 PER PACKAGE



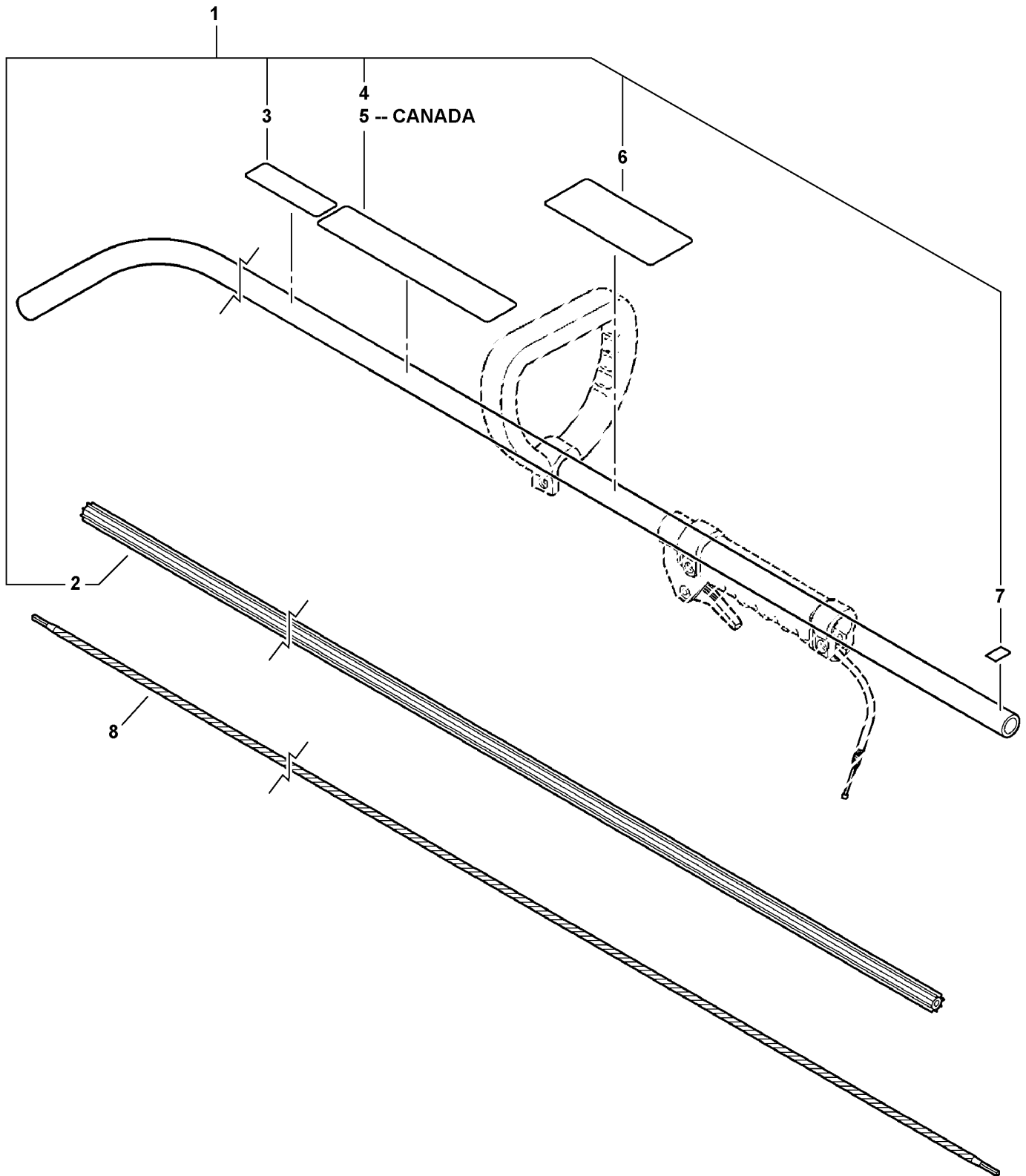
034 0002 000

ITEM	PART NUMBER	QTY	DESCRIPTION	REMARKS
1	69900452730	1	DEBRIS SHIELD KIT	INCLUDES ITEMS 2-8
2	90003300008	1	WINGNUT - 1/4-20	
3	90003500008	1	WASHER - 1/4"	
4	90001708064	1	BOLT - 1/4-20 X 2"	
5	90023805016	2	SCREW - 5X16	
6	90050000005	2	NUT	
7	69901644330	1	KNIFE, TRIMMER LINE	
8	69901044330	1	SHIELD, GRASS TRIMMING	



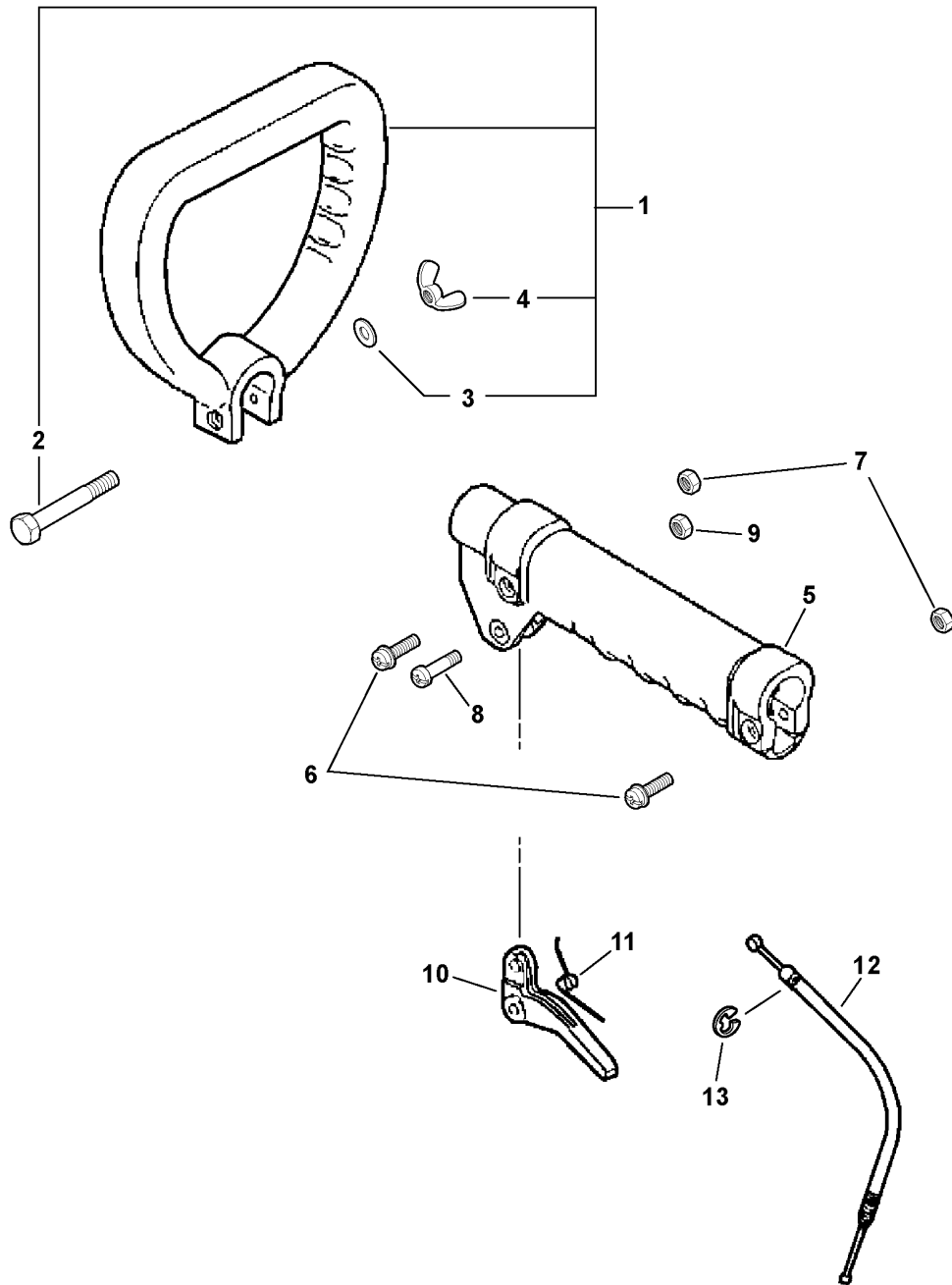
032 0005 000

ITEM	PART NUMBER	QTY	DESCRIPTION	REMARKS
1	61040452430	1	GEAR CASE ASY	INCLUDES ITEMS 2-9
2	61041052430	1	CASE, GEAR	
3	90015205025	1	BOLT - 5X25	
4	90024204010	1	SCREW - 4X10	
5	90081006200	1	BEARING, BALL - 6200	
6	61031052430	1	GEAR, SHAFT	
7	90081106200	1	BEARING, BALL - 6200	
8	90070200030	1	RING, RETAINING - 30	
9	61030552430	1	PLATE, ADAPTER - UPPER	



031 0003 000

ITEM	PART NUMBER	QTY	DESCRIPTION	REMARKS
1	61060944330	1	MAIN PIPE ASY	INCLUDES ITEM 2-6
2	61021744330	1	LINER - FLEXIBLE	
3	89022809560	1	LABEL - CAUTION -- SPANISH	
4	89031744530	1	LABEL - CAUTION	
5	89031748731	1	LABEL - CAUTION	CANADA MODELS
6	X505001930	1	LABEL - HANDLE LOCATION	
7	89015204930	1	LABEL - ALIGNMENT	
8	C506000030	1	DRIVESHAFT - FLEXIBLE	



030 0003 000

ITEM	PART NUMBER	QTY	DESCRIPTION	REMARKS
1	35160044330	1	FRONT HANDLE ASY	INCLUDES ITEMS 2-4
2	90001708048	1	BOLT - 1/4-20 X 1-1/2"	
3	90003500008	1	WASHER - 1/4"	
4	90003300008	1	WINGNUT - 1/4-20	
5	35121344330	1	GRIP, HANDLE	
6	90024205025	2	SCREW - 5X25	
7	90050000005	2	NUT	
8	17811005330	1	SCREW - 5X30	
9	90056000005	1	LOCKNUT - 5	
10	C450000070	1	TRIGGER, THROTTLE	
11	17804306930	1	SPRING, TRIGGER	
12	V430000671	1	CABLE, THROTTLE	
13	90070000005	1	RING, RETAINING - 5	



100 0004 000

ITEM	PART NUMBER	QTY	DESCRIPTION	REMARKS
1	X547000550	1	LABEL - MODEL -- GT-200	
2	X547000330	1	LABEL - MODEL -- GT-200R	
3	X543000300	1	LABEL - MODEL -- GT-200i	
4	X543000300	1	LABEL - MODEL -- GT-200i	
5	X503001280	1	LABEL - MODEL -- GT-201	
6	X543000080	1	LABEL - MODEL -- GT-201R	
7	X543000310	1	LABEL - MODEL -- GT-201i	
8	X543000310	1	LABEL - MODEL -- GT-201i	

Model	Serial Number	Use Gasket Kit
GT-201, 201R, 201EZR	02001001 - 02999999	P021001591
GT-200R, 200EZR, 200i, 201R, 201i	05001001 - 07999999	P021004270
GT-200R, 200i, 201R, 201i	08001001 - 10999999	P021010220

300 0002 000

<u>ITEM</u>	<u>PART NUMBER</u>	<u>QTY</u>	<u>DESCRIPTION</u>	<u>REMARKS</u>
1	P021001591	1	GASKET KIT	
2	P021004270	1	GASKET KIT	
3	P021010220	1	GASKET KIT	



Part Number Index

Click The Page Number After Any Part Number To View The Diagram Containing That Part.

Part Number	Page	Part Number	Page	Part Number	Page
-----	7, 9, 11, 13, 25	90023805016	29	P022004670	17
10001311520	25	90023805020	7	P022004680	17
10001411520	25	90024204010	15, 31	P022004690	17
10001504630	25	90024205025	35	P022004700	17
10020452132	25	90025304012	5	P022004740	17
10021242031	25	90025305016	5	P022004990	17
10024242030	25	90025305020	17	SB1065	25
10150356630	19	90050000005	7, 29, 35	V100000080	25
102212131	27	90056000005	35	V103000490	7
12531061830	9, 11, 13	90056550005	19	V104000420	15
12533942030	9, 11, 13	90060000005	15	V137000030	21
12534252130	9, 11, 13	90060300005	21	V141000030	5
12534413931	9, 11, 13	90070000005	35	V266000030	27
12534452130	9, 11, 13	90070200030	31	V307000080	27
12538108660	9, 11, 13	90081006200	31	V307000110	27
12901152730	7	90081106200	31	V376000361	17
13001013410	7	9110704008	5	V430000671	35
13001744330	7	9403536201	25	V471001190	21
13031054130	7	A011000101	25	V471001200	21
13031305863	7	A021000382	9	V485000290	23
13031306563	7	A021000720	11	V553000010	25
13100455530	21	A021000721	13	V622000020	25
13101655830	21	A051000360	17	X480000020	27
13104528230	21	A052000130	17	X502000032	17
13105156030	21	A101000000	25	X503001280	37
13120507320	21	A130000430	25	X505001930	33
13201256030	21	A160000170	5	X505002310	5
13201309820	21	A162000040	5	X532000671	23
14580642030	15	A313000350	15	X543000080	37
14586240630	15	A350000220	21	X543000300	37
14586642031	15	A356000030	21	X543000310	37
15011244330	23	A409000160	23	X547000330	37
15611054930	23	A411000130	23	X547000550	37
15901019830	23	A425000000	23		
15901103432	23	C450000070	35		
15901201620	23	C506000030	33		
16340003460	19	P005000100	9, 11, 13		
16381044330	19	P005000120	9, 11		
17500056830	19	P005000180	9		
17723412220	17	P005000190	9, 11, 13		
17804306930	35	P005000250	9, 11, 13		
17811005330	35	P005000270	9, 11, 13		
21041752730	7	P005000280	9, 11, 13		
35121344330	35	P005000370	9		
35160044330	35	P005000550	9, 11, 13		
61021744330	33	P005000570	9		
61030552430	31	P005000690	9		
61031052430	31	P005000700	9, 11		
61040452430	31	P005000930	9, 11, 13		
61041052430	31	P005000950	9, 11, 13		
61060944330	33	P005001000	9, 11, 13		
69900452730	29	P005001230	11		
69901044330	29	P005001240	11, 13		
69901644330	29	P005001260	11, 13		
89012152730	7	P005001270	11, 13		
89015204930	33	P005001330	13		
89022809560	33	P005001620	13		
89031744530	33	P021000991	7		
89031748731	33	P021001101	25		
90001708048	35	P021001591	39		
90001708064	29	P021004270	39		
90003300008	29, 35	P021004480	7		
90003500008	29, 35	P021010220	39		
90010505055	15	P022001070	27		
90014205028	19	P022001080	27		
90015205025	31	P022001091	27		
90016204020	23	P022002100	17		
90016205016	21	P022004600	17		
90016205022	25	P022004610	17		
90016205028	25	P022004620	17		
90016304016	17	P022004630	17		
90016304018	19	P022004640	17		
90022005065	7	P022004660	17		



Part Description Index

Click The Page Number After Any Part Description To View The Diagram Containing That Part.

B

BASE, PURGE.....9, 11, 13
 BEARING, BALL - 6200.....31
 BEARING, BALL - 6201.....25
 BEARING, NEEDLE - 8.....25
 BODY, CARBURETOR.....9, 11, 13
 BOLT - 1/4-20 X 1-1/2".....35
 BOLT - 1/4-20 X 2".....29
 BOLT - 5X25.....31
 BOLT - 5X28.....19
 BRACKET, SWITCH.....19
 BULB, PURGE.....9, 11, 13

C

CABLE, THROTTLE.....35
 CAP ASY - ORANGE.....21
 CAP, LIMITER.....11, 13
 CAP, SPARK PLUG.....23
 CARBURETOR.....7
 CARBURETOR -- RB-K66B.....9
 CARBURETOR -- RB-K70.....11
 CARBURETOR -- RB-K70A.....13
 CASE, AIR CLEANER - BLACK.....7
 CASE, AIR CLEANER - GRAY.....7
 CASE, GEAR.....31
 CLIP.....21
 CLUTCH ASY.....19
 COIL, IGNITION.....23
 COLLAR.....21
 CONNECTOR, CAP.....21
 COVER, AIR CLEANER - BLACK.....7
 COVER, AIR CLEANER - GRAY.....7
 COVER, DIAPHRAGM.....9, 11, 13
 COVER, ENGINE.....5
 COVER, TOP.....27
 CRANKCASE KIT.....25
 CRANKSHAFT ASY.....25
 CYLINDER.....25

D

DEBRIS SHIELD KIT.....29
 DIAPHRAGM, METERING.....9, 11, 13
 DIAPHRAGM, PUMP.....9, 11, 13
 DIAPHRAGM/GASKET KIT.....9, 11, 13
 DRIVESHAFT - FLEXIBLE.....33

E

EYELET.....27

F

FAN CASE ASY.....19
 FILTER, AIR - SINGLE LAYER.....7
 FILTER, FUEL.....21
 FLYWHEEL.....23
 FRONT HANDLE ASY.....35
 FUEL TANK ASY.....21

G

GASKET.....21
 GASKET KIT.....39
 GASKET, CRANKCASE.....25
 GASKET, CYLINDER.....25

GASKET, DIAPHRAGM.....9, 11, 13
 GASKET, EXHAUST.....15
 GASKET, INTAKE.....7, 25
 GASKET, PUMP.....9, 11, 13
 GEAR CASE ASY.....31
 GEAR, SHAFT.....31
 GRIP, HANDLE.....35
 GRIP, STARTER.....17
 GROMMET.....21, 23
 GUARD, TOP.....5
 GUIDE, EXHAUST.....15
 GUIDE, ROLLER.....9, 11, 13

I

IGNITION SWITCH ASY.....19
 INSULATOR, INTAKE.....7

J

JET.....9

K

KNIFE, TRIMMER LINE.....29

L

LABEL - ALIGNMENT.....33
 LABEL - CAUTION.....33
 LABEL - CAUTION -- HOT.....5
 LABEL - CAUTION -- SPANISH.....33
 LABEL - CHOKE.....7
 LABEL - ECHO -- i.....17
 LABEL - HANDLE LOCATION.....33
 LABEL - MODEL -- GT-200.....37
 LABEL - MODEL -- GT-200i.....37
 LABEL - MODEL -- GT-200R.....37
 LABEL - MODEL -- GT-201.....37
 LABEL - MODEL -- GT-201i.....37
 LABEL - MODEL -- GT-201R.....37
 LABEL - SPARK PLUG -- BPM-8Y.....23
 LEAD - GROUND.....23
 LEVER, METERING.....9, 11, 13
 LINE, CUTTING - 0.80in.....27
 LINER - FLEXIBLE.....33
 LOCKNUT.....27
 LOCKNUT - 5.....35

M

MAIN PIPE ASY.....33
 MUFFLER ASY.....15

N

NEEDLE - HIGH SPEED.....11, 13
 NUT.....7, 9, 11, 29, 35
 NUT - 5 -- SQUARE.....19

O

O-RING.....9, 11, 13

P

PAWL.....17
 PAWL, STARTER.....17
 PIN, DOWEL.....25
 PIN, METERING LEVER.....9, 11, 13

PIN, PISTON.....25
 PIPE - 3X5X70.....21
 PIPE, PRIMER - 3X5X180.....21
 PIPE, RETURN - 3X6X80.....21
 PISTON KIT.....25
 PLATE, ADAPTER - UPPER.....31
 PLATE, CAM.....17
 PLATE, PREVENT.....7
 PLUG.....5
 PLUG KIT.....9

R

REEL, ROPE.....17
 REPAIR KIT.....9, 11, 13, 27
 RETAINER, PURGE BULB.....9, 11, 13
 RING, PISTON.....25
 RING, RETAINING.....9, 11, 13, 25
 RING, RETAINING - 30.....31
 RING, RETAINING - 4.....17
 RING, RETAINING - 5.....35
 ROPE, STARTER - 3X800.....17
 ROTOR COVER ASY.....9, 11, 13

S

SCREEN, SPARK ARRESTER.....15
 SCREW.....9, 11, 13, 17
 SCREW - 4X10.....15, 31
 SCREW - 4X12 -- TAPPING.....5
 SCREW - 4X16.....17
 SCREW - 4X18.....19
 SCREW - 4X20.....23
 SCREW - 4X8.....5
 SCREW - 5X16.....21, 29
 SCREW - 5X16 -- TAPPING.....5
 SCREW - 5X20.....7
 SCREW - 5X20 -- TAPPING.....17
 SCREW - 5X22.....25
 SCREW - 5X25.....35
 SCREW - 5X28.....25
 SCREW - 5X30.....35
 SCREW - 5X55.....15
 SCREW - 5X65.....7
 SCREW, CABLE ADJUST.....9, 11, 13
 SCREW, IDLE ADJUST.....9, 11, 13
 SCREW, METERING LEVER PIN.....9, 11, 13
 SCREW, PURGE BASE.....9, 11, 13
 SCREW, PURGE BULB RETAINER.....9, 11, 13
 SEAL, OIL.....25
 SHIELD, EXHAUST.....15, 25
 SHIELD, GRASS TRIMMING.....29
 SHIELD, INTAKE.....7, 25
 SHORT BLOCK -- SB1065.....25
 SPACER.....17
 SPACER, PISTON.....25
 SPARK PLUG -- BPM-8Y.....23
 SPARK PLUG -- BPMR-8Y.....23
 SPRING.....11
 SPRING ASY.....17
 SPRING, METERING LEVER.....9, 13
 SPRING, PAWL RETURN.....17
 SPRING, RETURN.....17
 SPRING, REWIND.....17
 SPRING, TRIGGER.....35
 STARTER ASY.....17
 STARTER PAWL ASY.....17



Part Description Index (continued)

STRAINER.....9, 11, 13
SWIVEL.....9, 11, 13

T

TERMINAL, SPARK PLUG CAP.....23
THUMBSCREW.....7
TRIGGER, THROTTLE.....35
TUBE, INSULATOR.....23
TWO LINE RAPID LOADER ATTACHMENT.....
27

V

VALVE, INLET NEEDLE.....9, 11, 13
VENT ASY.....21

W

WASHER.....15, 27
WASHER - 1/4".....29, 35
WASHER - 10.....27
WASHER - 5.....21
WINGNUT - 1/4-20.....29, 35

NOTES



ECHO, INCORPORATED

400 Oakwood Road
Lake Zurich, IL 60047 USA

WWW.ECHO-USA.COM
