

DGK45F Generator

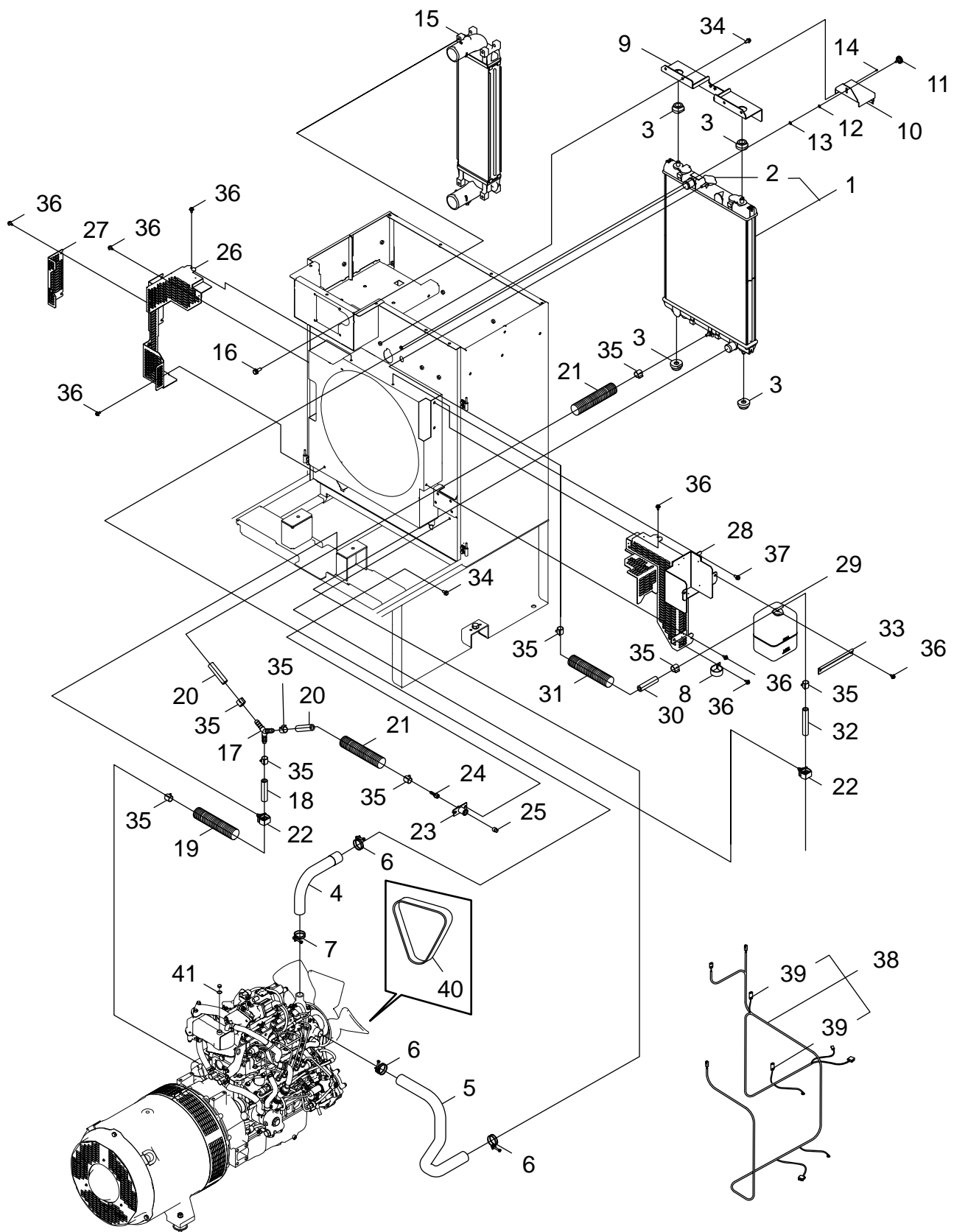


SERIAL NUMBERS

D15601000001 - D15601999999

RADIATOR ASSEMBLY.....	2	BASE, FRAME	32
RIGHT ENCLOSURE.....	4	LEFT ENCLOSURE	34
TOP ENCLOSURE	6	REAR ENCLOSURE FRAME INSULATION	36
ALTERNATOR.....	8	ENCLOSURE FRAME, RIGHT FRONT AND REAR DOOR INSULATION.....	38
MAIN CONTROL PANEL.....	10	ENCLOSURE FRAME, RIGHT FRONT AND REAR DOOR AIR DUCT INSULATION.....	40
MAIN BREAKER AND CONTROL BOX	12	ENCLOSURE FRAME, LEFT FRONT AND REAR DOOR INSULATION.....	42
POWER OUTPUT TERMINALS.....	14	ENCLOSURE FRAME, LEFT FRONT AND REAR DOOR AIR DUCT INSULATION.....	44
LABELS.....	16		
AIR AND MUFFLER ASSEMBLY	18		
AIR AND MUFFLER ASSEMBLY	20		
FUEL TANK, OIL CONTAINMENT.....	22		
FUEL LINES.....	24		
OIL LINES.....	26		
ENCLOSURE FRAME.....	28		
FRONT ENCLOSURE	30		

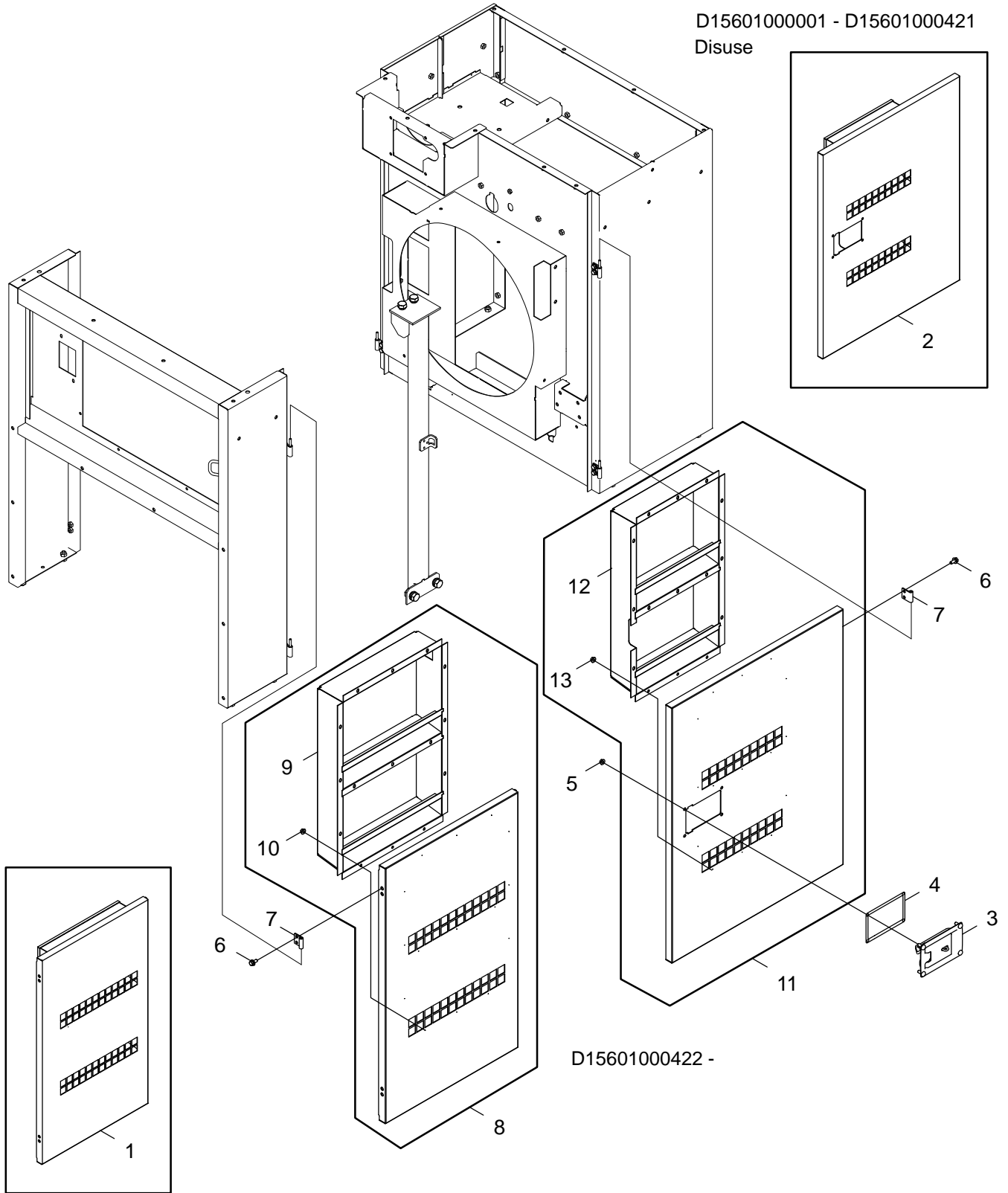
RADIATOR ASSEMBLY



RADIATOR ASSEMBLY

NO.	PART NUMBER	QTY.	DESCRIPTION	
1	G200000290	1	RADIATOR	
2	M608000060	1	+ CAP,RADIATOR	
3	V420005100	4	CUSHION	
4	G203000550	1	HOSE,RADIATOR	
5	G203000560	1	HOSE,RADIATOR	
6	V495001980	3	HOSE CLAMP	
7	V495003280	1	BAND	
8	V490000820	1	CLAMP,WIRE HARNESS	
9	C527001250	1	STAY	
10	M471000120	1	COVER	
11	V299000480	1	OPERATION PANEL ACCESS KNOB	
12	V583000230	1	RING,U	
13	V324000020	1	WASHER	
14	9156604012	4	SCREW,M4X12 W/SW BLACK	
15	J197000030	1	INTERCOOLER	
16	9102410030	4	BOLT,M10X30-SPW	
17	M601000170	1	JOINT	
18	K400001490	1	HOSE	
19	V475005600	1	TUBE	
20	K400001390	2	HOSE,7X13XL350	
21	V475005540	2	TUBE,15XL330	
22	V490000790	2	CLAMP	
23	C153000100	1	SOCKET,Rc3/8 - Rc3/8	
24	K432000050	1	NIPPLE,R3/8 - HOSE	
25	E328000130	1	DRAIN PLUG,R3/8	
26	A172003070	1	COVER,FAN	
27	A172003080	1	COVER,FAN	
28	A172003061	1	COVER,FAN	
29	G125000230	1	OVERFLOW TANK	
30	K400001510	1	HOSE	
31	V475006280	1	TUBE	
32	K400001400	1	HOSE	
33	C519004560	1	STAY	
34	V205001420	6	BOLT,M8X20-SPW	
35	V495001670	9	HOSE CLAMP	
36	V204001090	11	BOLT,M6X16 FT SW	
37	V205001170	2	BOLT,M8X20-SPW	
38	G031004980	1	HARNESS,WIRE	
39	G347000020	2	+ DIODE	
40	I8980953350	1	BELT,COOLING FAN	
41	I9095714100	1	PACKING	EGR COOLER

RIGHT ENCLOSURE



D1560100001 - D15601000421
Disuse

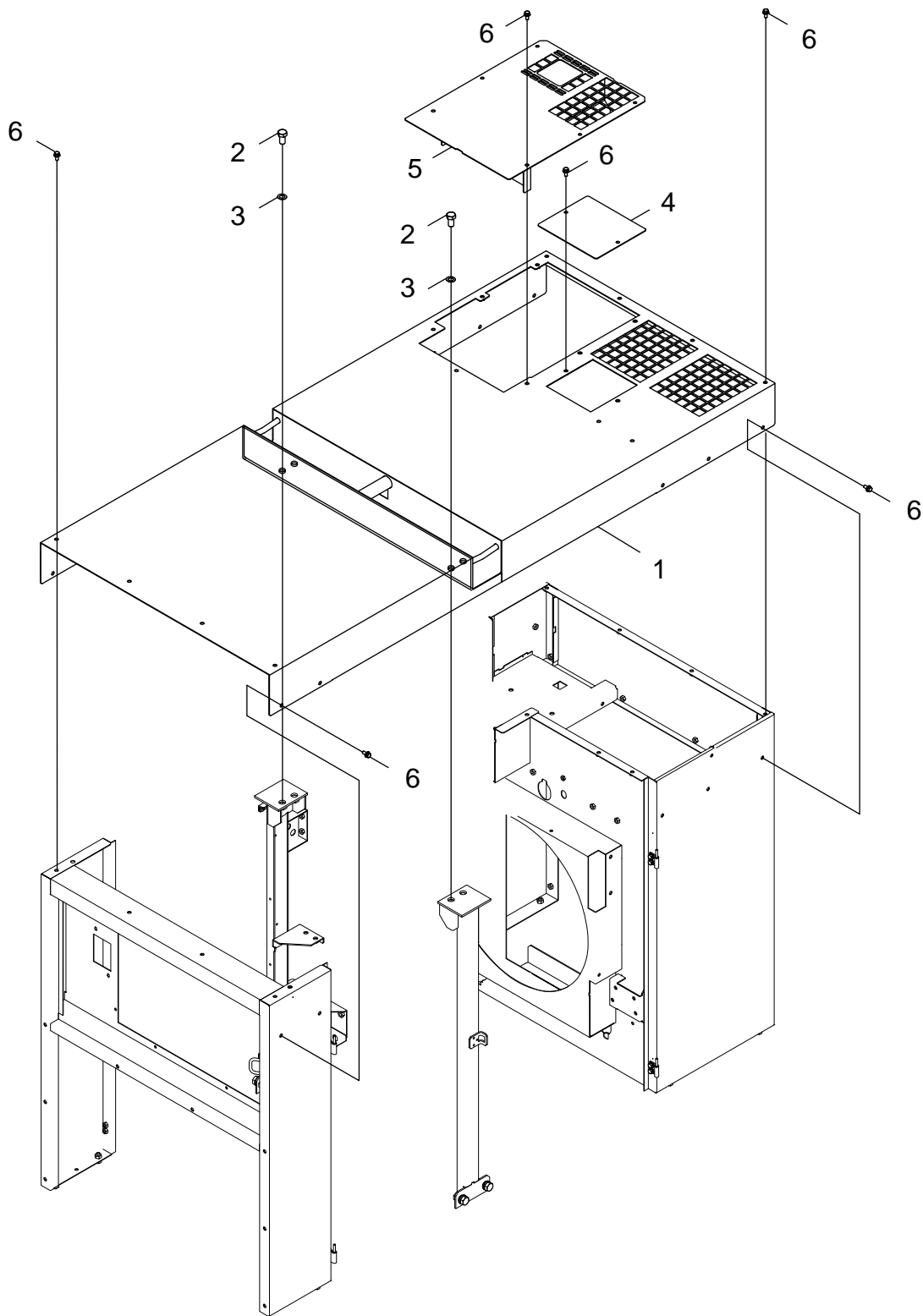
D15601000422 -

D1560100001 - D15601000421
Disuse

RIGHT ENCLOSURE

NO.	PART NUMBER	QTY.	DESCRIPTION	
1	M407000270	1	DOOR,RIGHT	D15601000001-D15601000421 DISUSE
2	M407000280	1	DOOR,RIGHT	D15601000001-D15601000421 DISUSE
3	C701000440	1	LOCK COVER,A-838-A-3	
4	V541000350	1	LOCK COVER GASKET	
5	V265000290	4	FLANGE NUT,M8 SERRATED	
6	V205001260	8	BOLT,M8X15	
7	J485000280	4	HINGE	
8	M407000980	1	DOOR,RIGHT	D15601000422-
9	G129000410	1	+ DUCT,AIR	
10	V264000220	15	+ FLANGE NUT,M6 SERRATED	
11	M407001000	1	DOOR,RIGHT	D15601000422-
12	G129000420	1	+ DUCT,AIR	
13	V264000220	12	+ FLANGE NUT,M6 SERRATED	

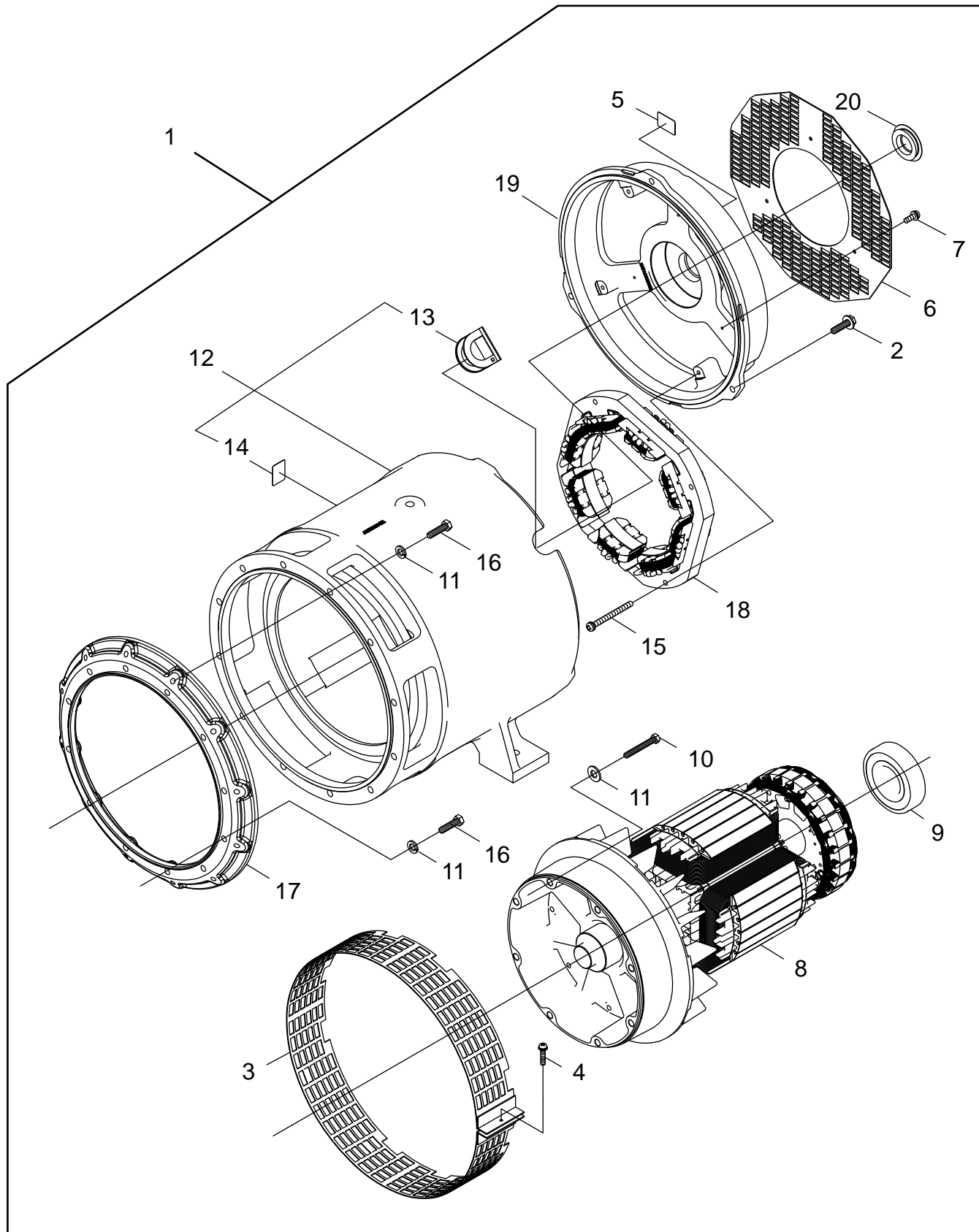
TOP ENCLOSURE



TOP ENCLOSURE

NO.	PART NUMBER	QTY.	DESCRIPTION	
1	J495000252	1	ENCLOSURE FRAME	
2	90010416030	4	BOLT,M16X30	
3	V109000210	4	GASKET,W16	
4	J480001590	1	LID,COVER	
5	M471000201	1	COVER	
6	V205001420	29	BOLT,M8X20-SPW	

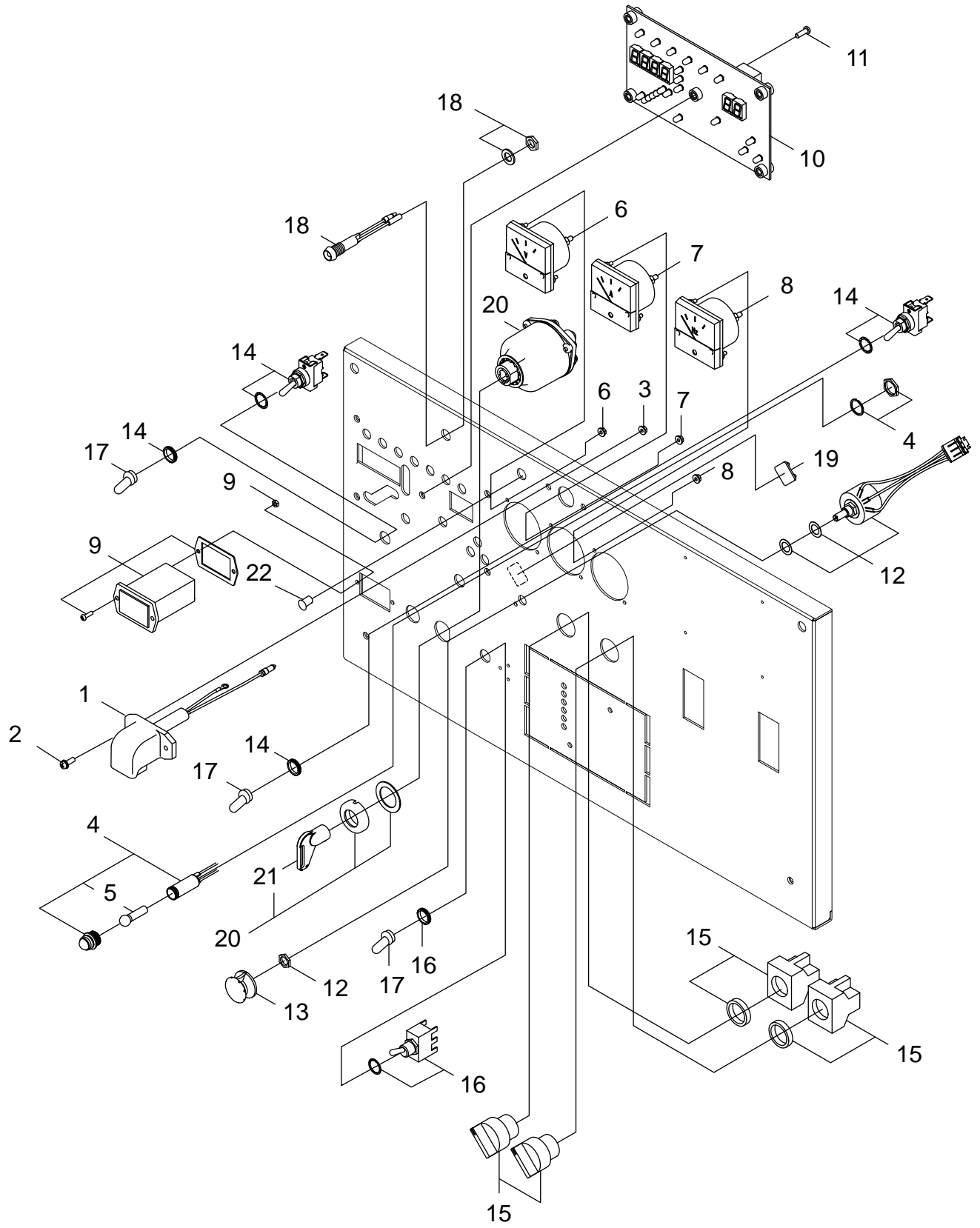
ALTERNATOR



ALTERNATOR

NO.	PART NUMBER	QTY.	DESCRIPTION	
1	G02000132	1	GENERATOR	
2	9102210035	3	+ BOLT,M10X35 SW	
3	A172002160	1	+ COVER,FAN	
4	9103104030	1	+ BOLT,M4X30 SW	
5	M703000020	1	+ LABEL THERMOMETER	
6	M470000980	1	+ COVER	
7	9103105012	3	+ BOLT,M5X12 SW	
8	M102000880	1	+ ROTOR	
9	V592000160	1	+ BALL BEARING	
10	V206000660	8	+ BOLT,10	
11	90060500010	32	+ WASHER,M10 SPRING	
12	A041000651	1	+ STATOR ASSEMBLY	
13	V144000610	2	++ GROMMET	
14	M703000020	1	++ LABEL THERMOMETER	
15	9102408040	4	+ BOLT,M8X40 SW	
16	9102610030	24	+ BOLT,M10X30 10.9	
17	V376002280	1	+ SPACER	
18	A041000664	1	+ STATOR ASSEMBLY,EXST45_9000083	
19	M305000611	1	+ HOUSING	D15601000126 - , SET #20 GROMMET
20	V145000810	1	+ GROMMET,CIRCULAR	

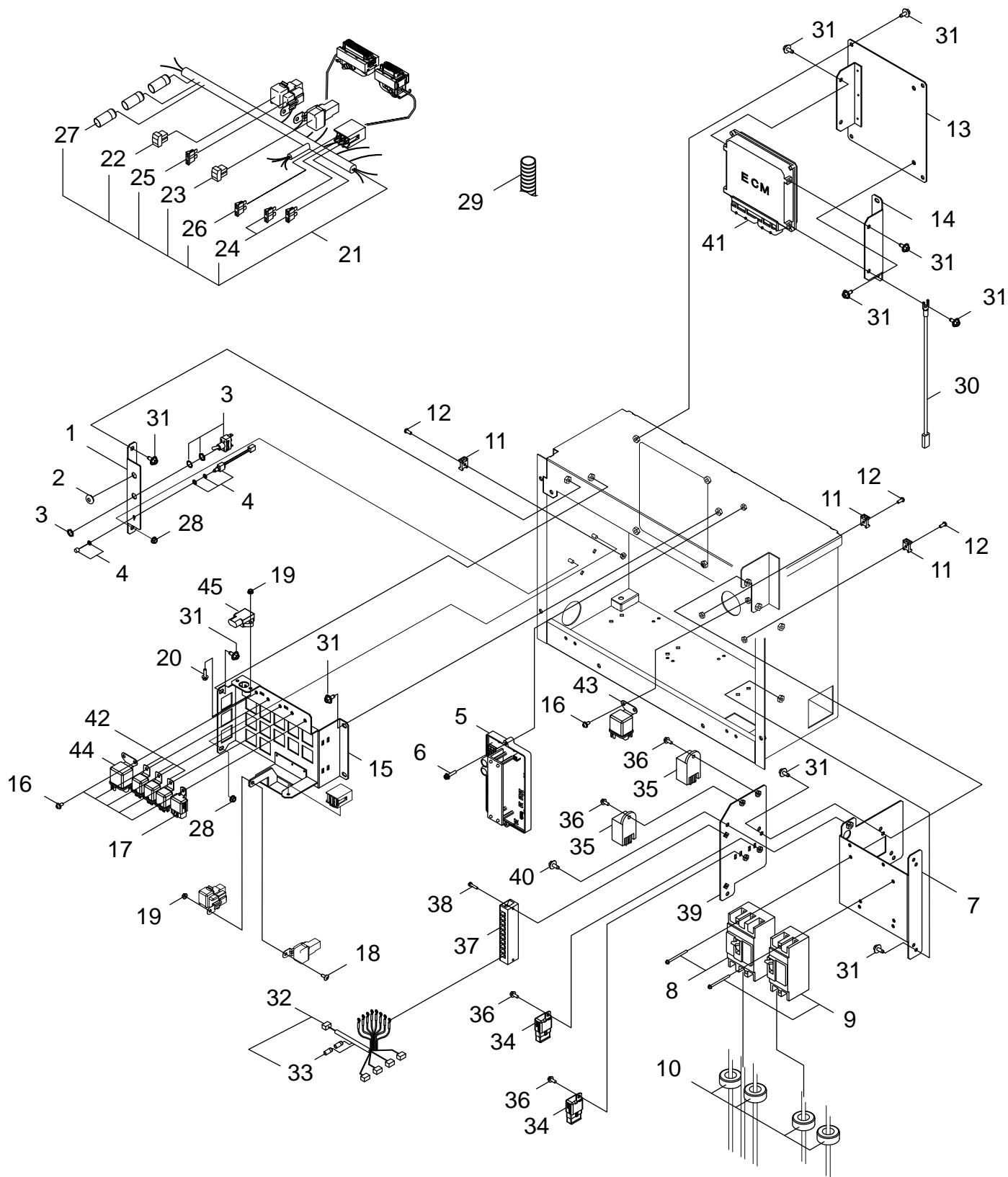
MAIN CONTROL PANEL



MAIN CONTROL PANEL

NO.	PART NUMBER	QTY.	DESCRIPTION
1	G327000400	1	LAMP
2	90023804016	2	SCREW,M4X16
3	V262000190	2	FLANGE NUT,M4 SERRATED
4	G327000520	1	LAMP,PILOT
5	G328000050	1	+ LAMP
6	M109000140	1	METER,0-600 VOLT
7	M109000440	1	METER
8	M109000410	1	METER,FREQUENCY
9	G319000190	1	METER,HOUR
10	G370002021	1	UNIT,CONTROL
11	9146104012	5	SCREW,M4X12
12	M112000010	1	VOLUME COMP
13	E145000060	1	DIAL,VOLUME
14	A440001970	2	SWITCH,MOMENTARY TOGGLE
15	G334001100	2	SWITCH,AR22PR-311B SELECTOR
16	A045000761	1	SWITCH,ON OFF
17	V494000910	3	CAP,TOGGLE SWITCH
18	G327000740	1	LAMP,BD-1001 DC12V
19	M416000040	1	ADHESIVE CABLE TIE MOUNT
20	I8944025000	1	KEY SWITCH ASSY
21	I8944024980	1	+ KEY,BLANK
22	V162000510	1	PLUG

MAIN BREAKER AND CONTROL BOX



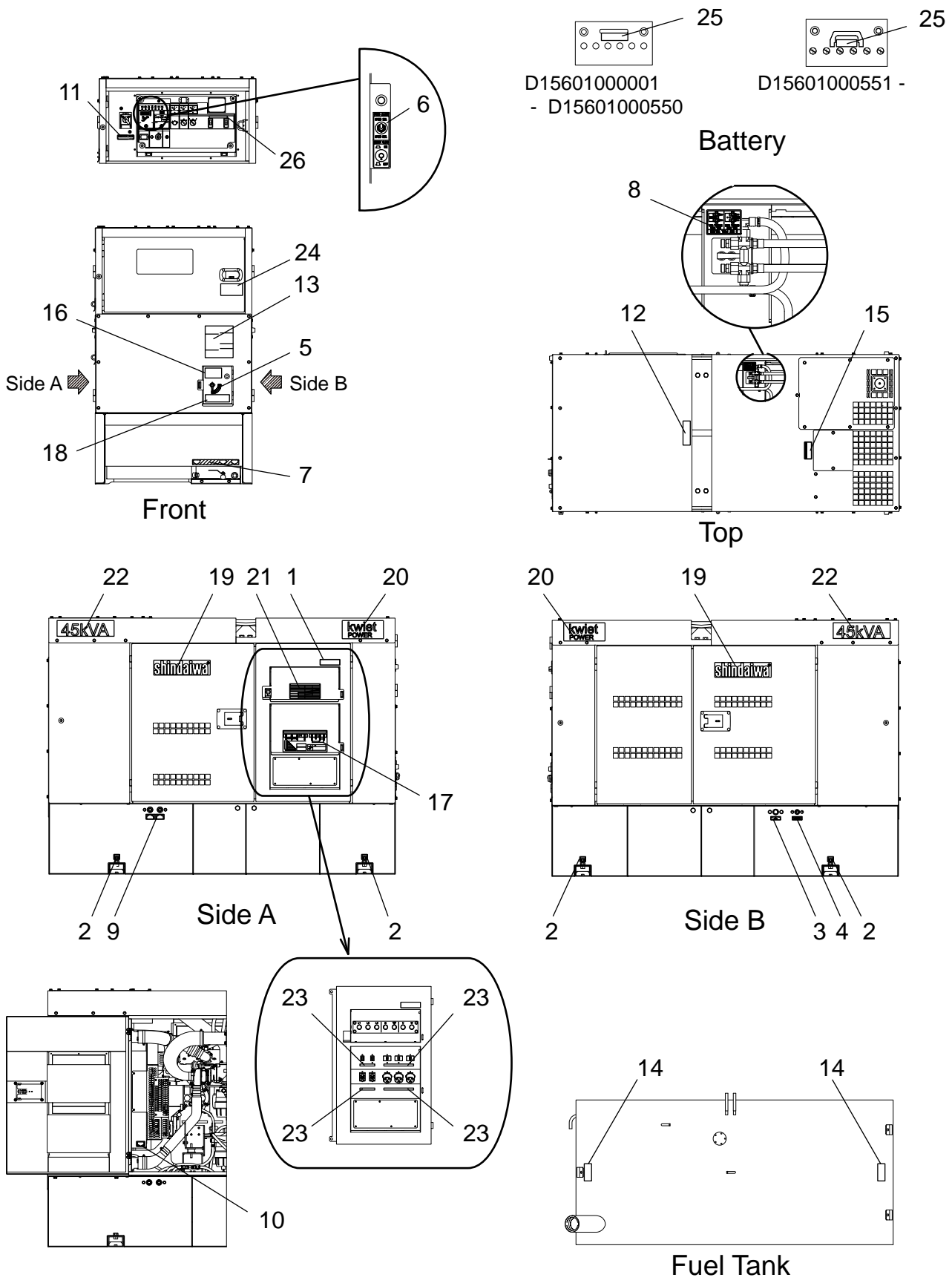
MAIN BREAKER AND CONTROL BOX

NO.	PART NUMBER	QTY.	DESCRIPTION
1	C527001330	1	BRACKET,SWITCH MOUNTING
2	V144000460	1	GROMMET
3	G334001740	1	SWITCH
4	G334001751	1	SWITCH
5	G370001762	1	UNIT,AVR CONTROL
6	9103605025	2	BOLT,M5X25 SW
7	C527001370	1	BRACKET,CIRCUIT BREAKER MOUNTING
8	M111001030	1	BREAKER
9	M111001040	1	BREAKER
10	M108000190	4	CURRENT TRANSFORMER
11	M416000010	3	TIE MOUNT
12	9134305012	3	SCREW,M5X12
13	C527001301	1	ECM MOUNTING PLATE
14	C527001310	1	ECM MOUNTING BRACKET
15	C527001290	1	ENGINE RELAY MOUNTING BRACKET
16	9156805012	8	SCREW,M5X12 W/SW
17	G343000490	1	RELAY
18	9146305012	1	SCREW,M5X12 TRUSS
19	V263000330	3	FLANGE NUT,M5 SERRATED
20	9103605020	2	BOLT,M5X20
21	G031004970	1	HARNES,WIRE
22	G350000250	1	+ FUSE,50A
23	G350000210	1	+ FUSE,60A
24	G350000230	2	+ FUSE,10A
25	G350000270	1	+ FUSE,30A
26	G350000220	1	+ FUSE,15A
27	G347000020	3	+ DIODE
28	V264000220	2	FLANGE NUT,M6 SERRATED
29	V475005950	1	TUBE,50XL200
30	M384000610	1	LEAD
31	V204001090	18	BOLT,M6X16 FT SW
32	G031005310	1	HARNES,WIRE
33	G347000020	2	+ DIODE
34	G343000490	2	RELAY
35	G370000471	2	12V 1A CONTROL RELAY
36	9103705014	4	BOLT,M5X14
37	M308000590	1	BLOCK,TERMINAL
38	9156404016	2	SCREW,4X16 SPW
39	C527001560	1	CONTROL UNIT AND RELAY MOUNTING PANEL
40	V204001090	2	BOLT,M6X16 FT SW
41	I8975062140	1	CONTROL UNIT,ENG
42	I5825500290	3	RELAY
43	I8970119490	1	RELAY,GLOW PLUG
44	I8942481610	1	RELAY
45	I8972177780	1	SENSOR,BAROMETRICPRE

POWER OUTPUT TERMINALS

NO.	PART NUMBER	QTY.	DESCRIPTION	
1	G031005000	1	HARNES, WIRE	
2	V475008780	1	TUBE	
3	M387000080	1	LEAD	
4	M387000090	1	LEAD	
5	C528000181	1	MOUNTING BRACKET, LIMITER SWITCH	
6	G334000730	1	LIMIT SWITCH	
7	9103104030	2	BOLT, M4X30 SW	
8	V262000190	12	FLANGE NUT, M4 SERRATED	
9	V264000220	2	FLANGE NUT, M6 SERRATED	
10	M307000380	1	PLATE, INST	D15601000001-D15601000041
11	90014708030	3	BOLT, M8X30	D15601000001-D15601000041
11	90014708030	5	BOLT, M8X30	D15601000042-
12	9102408040	1	BOLT, M8X40 SW	
13	V265000290	1	FLANGE NUT, M8 SERRATED	
14	V229000020	7	BOLT, STUD 16	
15	V209000170	7	BOLT, 16	
16	90060500012	7	WASHER, M12 SPRING	
17	V268000060	7	FLANGE NUT, M12 SERRATED	
18	9222712000	7	WASHER, M12	
19	9200512000	7	NUT, M12	
20	C137000070	3	CIRCUIT BREAKER, 50A	
21	C137000080	2	CIRCUIT BREAKER, 20A	
22	C154000170	3	PLUG SOCKET, TWIST LOCK 50A 125/250V	
23	C154000491	2	RECEPTACLE, GFCI 20A, 125V	
24	9156404012	10	SCREW, M4X12 SW	
25	M307000410	1	PLATE, INST	D15601000042-
26	M307000420	1	PLATE, INST	D15601000042-

LABELS



LABELS

NO.	PART NUMBER	QTY.	DESCRIPTION	
1	M704002250	1	LABEL,TERMINAL COVER INSTRUCTIONS INST.	
2	M707000380	4	LABEL,INST	
3	M707000790	1	LABEL,OIL DRAIN INST	
4	M707000800	1	LABEL,WATER DRAIN INST	
5	M707000830	1	LABEL,OPEN-CLOSE INST	
6	M707001000	1	LABEL,INST	
7	M707000930	1	LABEL,INST	
8	M707000940	1	LABEL,3-WAY FUEL VALVE INST	
9	M707000950	1	LABEL,FUEL RETURN INST	
10	M707000960	1	LABEL,INST	
11	X505004620	1	LABEL,CAUTION/SWITCH	
12	X505007550	1	LABEL,WARNING:INJURY CAUTION	
13	X505007571	1	LABEL,CAUTION	
14	X505007820	2	LABEL,CAUTION	
15	X505007840	1	LABEL,CAUTION:GM SPEC LLC	
16	X505008400	1	LABEL,EPA REGULATION C CAUTION	
17	X505008620	1	LABEL,CAUTION	
18	X505007650	1	LABEL,WARNING/FIRE CAUTION	
19	X504006320	2	LABEL,SHINDAIWA BRAND	
20	M705001070	2	LABEL,KWIET POWER FEATURE	
21	M705001050	1	LABEL,FEATURE	
22	X524005840	2	LABEL	
23	X524004350	1	LABEL,CIRCUIT BREAKER	
24	X505010400	1	LABEL,PROPOSITION65/OPERATING CAUTION	
25	X505010410	1	LABEL,PROPOSITION65/BATTERIES CAUTION	D15601000001-D15601000550
25	X564001320	1	LABEL,BATTERY CAUTION	D15601000551-
26	M709000060	1	LABEL,INST	

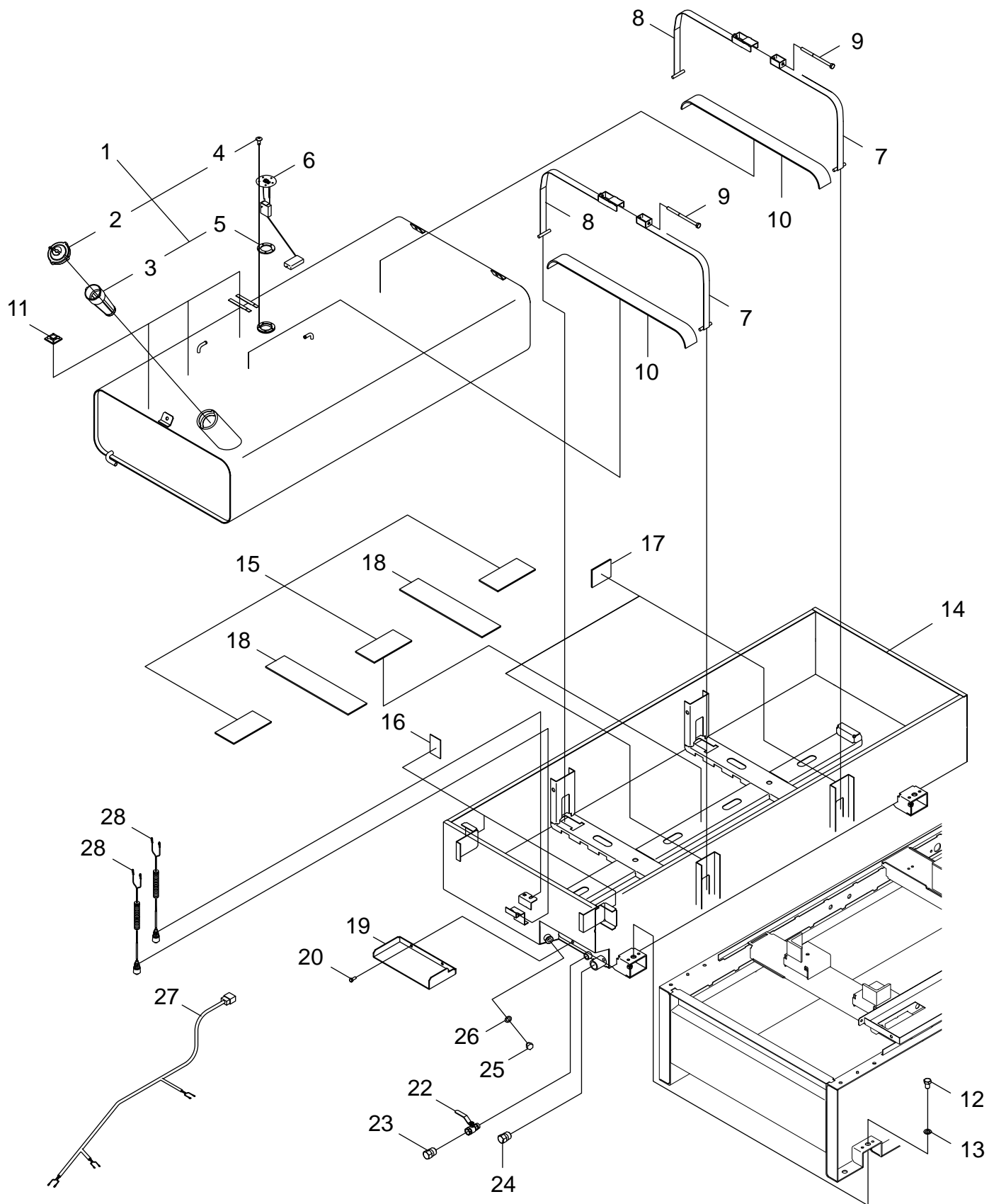
AIR AND MUFFLER ASSEMBLY

NO.	PART NUMBER	QTY.	DESCRIPTION	
1	G213000570	1	HOSE,AIR	
2	G213000580	1	HOSE,AIR	
3	V186000670	1	JOINT,PIPE	D15601000001-D15601000209
3	V186000990	1	JOINT,PIPE	D15601000210-
4	V477000020	1	TUBE	
5	V477000030	1	TUBE	
6	G213000500	1	HOSE,AIR	
7	G213000590	1	HOSE,AIR	
8	V186000680	1	JOINT,PIPE	D15601000001-D15601000209
8	V186000980	1	JOINT,PIPE	D15601000210-
9	G121000610	1	ENGINE MOUNT	
10	G121000620	1	ENGINE MOUNT	
11	9102710025	8	BOLT,M10X25 8T	
12	90060500010	8	WASHER,M10 SPRING	
13	C519002461	4	BRACKET,GENERATOR HOUSING MOUNTING	
14	M416000010	4	TIE MOUNT	
15	9134305012	4	SCREW,M5X12	
16	90014710020	2	BOLT,M10X20	
17	9102412025	1	BOLT,M12X25	
18	G231001080	1	PIPE,EXHAUST	D15601000001-D15601000209
18	G231001630	1	PIPE,EXHAUST	D15601000210-
19	V265000290	11	FLANGE NUT,M8 SERRATED	
20	C527001260	1	STAY	
22	V206000800	8	BOLT,M10X25-SPW	
23	C527001280	1	STAY	
24	V186000690	1	JOINT,PIPE	D15601000001-D15601000209
24	V186000970	1	JOINT,PIPE	D15601000210-
25	G213000600	1	HOSE,AIR	
26	G213000610	1	HOSE,AIR	
27	G213000620	1	HOSE,AIR	
28	K403000530	1	HOSE,13	D15601000001-D15601000550
28	K416000000	1	HOSE,15	D15601000551-
29	C526000220	1	HEATER	D15601000001-D15601000393
29	C526000270	1	HEATER,30HV-2SJ	D15601000394-D15601000562
29	C526000280	1	HEATER (PGL10-1SJ)	D15601000563
30	C417000090	1	INSULATOR,HEATER	
31	V477000010	1	TUBE	
32	V490000820	1	CLAMP,WIRE HARNESS	
33	V204001090	1	BOLT,M6X16 FT SW	
34	V495003040	1	BAND,D-44	
35	V495001700	4	HOSE CLAMP	
36	V495003130	5	BAND,SMS2298/2299	
37	V205001170	10	BOLT,M8X20-SPW	

AIR AND MUFFLER ASSEMBLY

NO.	PART NUMBER	QTY.	DESCRIPTION	
38	V495003140	3	BAND,SMS2298/2299	
39	V495001710	1	CLAMP,SMS2298/2299 HOSE	D15601000001-D15601000550
39	V495001710	2	CLAMP,SMS2298/2299 HOSE	D15601000551-
40	A027000170	1	CLEANER,ASM AIR	
41	M609000010	1	+ INDICATOR,RFX018171	
42	A226002000	1	+ ELEMENT,AIR FILTER	
43	V264000220	1	FLANGE NUT,M6 SERRATED	
44	C417000180	1	INSULATOR,HEATER	D15601000210-
45	I8982353891	1	CONVERTER	
46	I8980435280	4	BOLT,M8X28 FLANGE CONV BRKT	
47	I8971616070	4	NUT,M8 FLANGE CONV	
48	I8982284330	2	SUPPORT,BRKT	
49	I8982103230	2	BOLT,M8 U-BOLT CONV BRKT	
50	I8973731080	1	GASKET,EXH PIPE	
51	I8973679180	1	EGR PIPE GASKET	
52	I8121468300	1	SENSOR:INTAKEAIRTEMP	

FUEL TANK, OIL CONTAINMENT



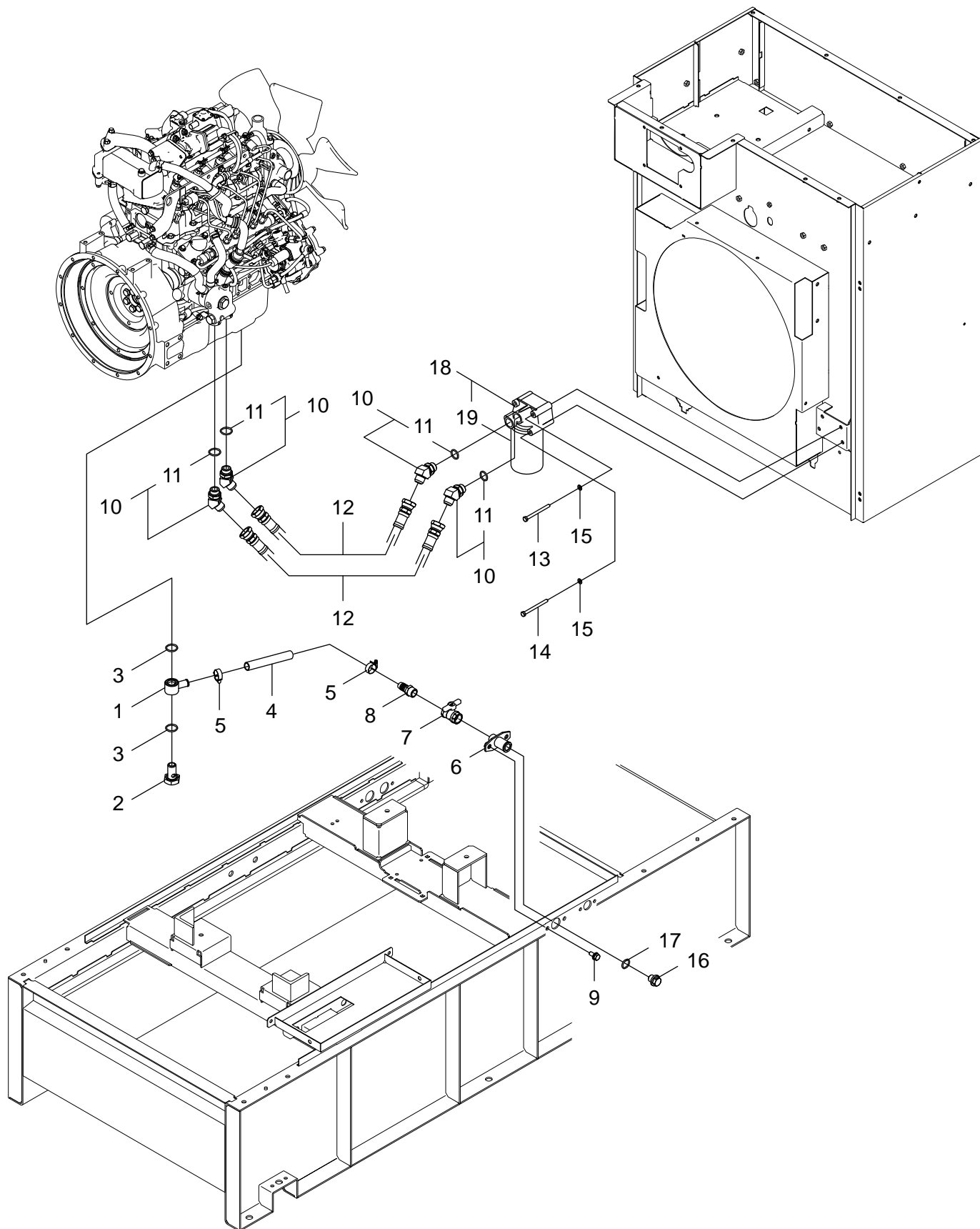
FUEL TANK, OIL CONTAINMENT

NO.	PART NUMBER	QTY.	DESCRIPTION	
1	G250001100	1	TANK,FUEL	
2	G255000010	1	+ TANK CAP	
3	A369000160	1	+ STRAINER	
4	9156405010	5	+ SCREW,5X10	
5	K221000030	1	+ GASKET,FUEL TANK GAUGE	
6	E325000040	1	FUEL GAUGE	D15601000001-D15601000532
6	E325000370	1	GAUGE,LEVEL	D15601000531-D15601000538
6	E325000460	1	GAUGE,LEVEL	D15601000539-
7	A392000410	2	BAND,FUEL TANK	
8	A392000420	2	BAND,FUEL TANK	
9	V206000610	2	BOLT,10	
10	V420003920	2	CUSHION	
11	M416000040	3	ADHESIVE CABLE TIE MOUNT	
12	V209000230	4	BOLT,B-16X25	
13	V311000260	4	WASHER,W-16 CIRCULAR	
14	J447001371	1	GUARD	
15	V420003060	3	+ PAD	
16	M700000010	2	+ PAD	
17	V420003050	2	+ PAD	
18	V420003930	2	+ CUSHION	
19	J447001160	1	GUARD	
20	V205001420	2	BOLT,M8X20-SPW	
22	E265000310	1	VALVE,BALL (WITH HANDLE)	
23	E328000330	1	PLUG,1/2" DRAIN	
24	E328000340	1	DRAIN PLUG	
25	E328000140	1	DRAIN PLUG	
26	V106000110	1	SEAL WASHER	
27	G031004991	1	HARNES,WIRE	
28	G334001360	2	SWITCH	

FUEL LINES

NO.	PART NUMBER	QTY.	DESCRIPTION
1	C527001270	1	STAY
2	V206000590	2	BOLT,M10X25-SPW
3	9102206035	2	BOLT,M6X35
4	9102410030	4	BOLT,M10X30-SPW
5	E265000121	1	VALVE
6	V187000290	2	NIPPLE,R3/8 - G3/8 HOSE
7	E237000270	2	ELBOW,R3/8 HOSE
8	V204001090	2	BOLT,M6X16 FT SW
9	C153000560	1	SOCKET,G1/2 - G1/2
10	V187000110	2	NIPPLE,G1/2 HOSE
11	E328000110	2	DRAIN PLUG
12	V205001420	2	BOLT,M8X20-SPW
13	K401000360	1	HOSE
14	V475005920	1	TUBE,19.5X23.8X700
15	K401000480	2	HOSE
16	V475006080	2	TUBE
17	K401000470	1	HOSE,9XL1050
18	V475005460	1	TUBE,19XL1000
19	K401000290	1	HOSE
20	V475005520	1	TUBE
21	K401000310	1	HOSE
22	V475005470	1	TUBE
23	K401000410	2	HOSE,9X350
24	V475005800	2	TUBE,19XL300
25	V495001660	18	HOSE CLAMP
26	K403000540	1	HOSE,13
27	V495003210	2	BAND
28	V475008890	1	TUBE
29	V345000050	2	WASHER
30	I8982369910	1	FILTER ASM,FUEL
31	I8982402790	1	+ PRE FUEL FILTER
32	I8980682752	1	PUMP ASM,FUEL FEED
33	I8981731650	1	+ REPAIR KIT,FUEL PUMP
34	I8980714010	1	++ FILTER,FUEL PUMP
35	I8980714040	1	++ GASKET KIT,FUEL PUMP
36	I8982369900	1	FILTER ASM,FUEL
37	I8982402800	1	+ FUEL FILTER
38	I8981263320	4	PIPE,FUEL
39	I1096751930	4	EYE BOLT,FUEL FILTER
40	I1096300850	8	GASKET
41	K401000950	1	HOSE,8.5
42	V475006020	1	TUBE

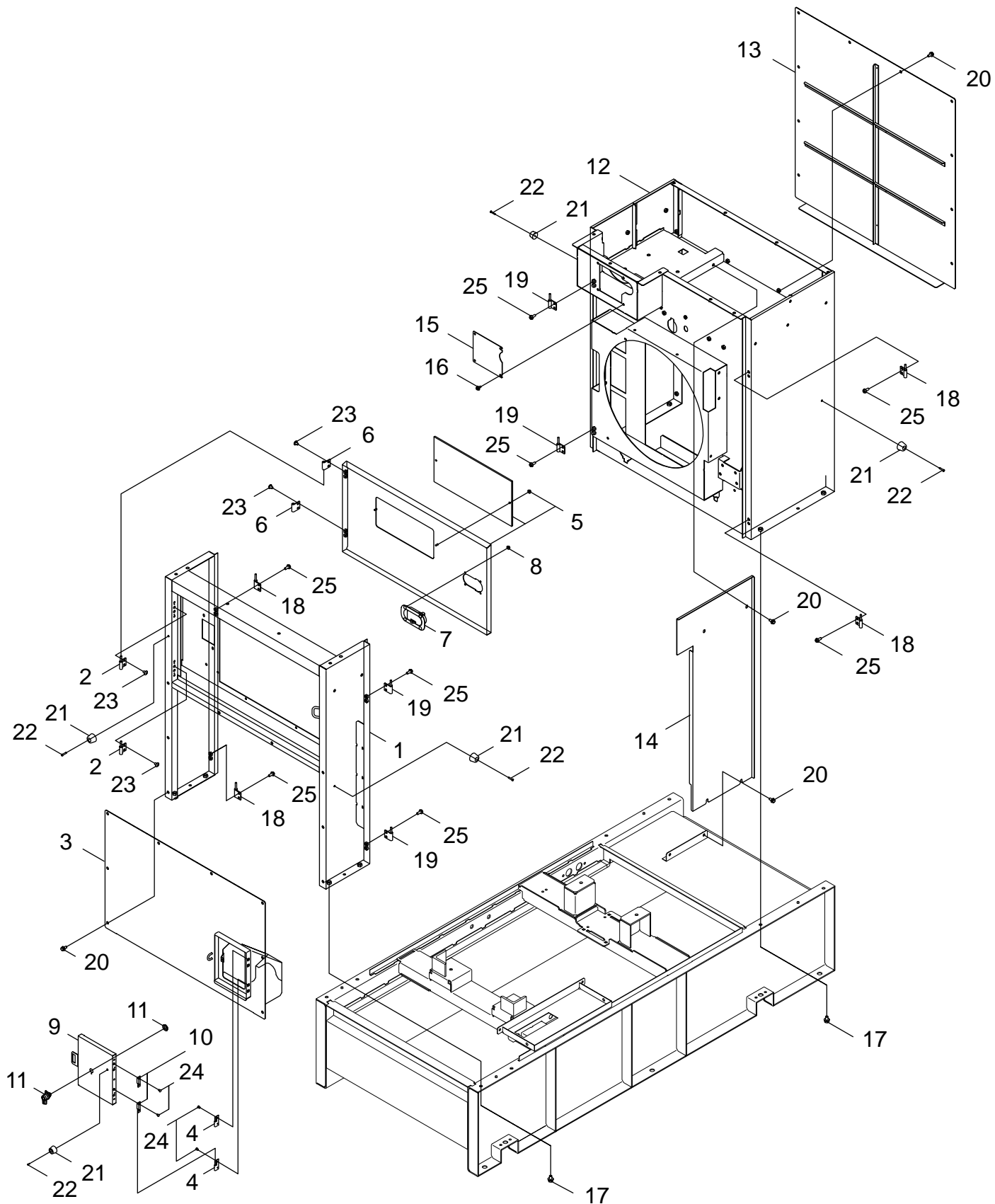
OIL LINES



OIL LINES

NO.	PART NUMBER	QTY.	DESCRIPTION
1	K313000050	1	FIXTURE,OIL DRAIN HOSE JOINT
2	V242000410	1	BOLT,OIL DRAIN EYE
3	V581000760	2	RING,E-3030S OIL DRAIN O
4	K405000460	1	HOSE,19X1B L400
5	V495001710	2	CLAMP,SMS2298/2299 HOSE
6	C153000180	1	SOCKET,M20 - R3/4 OIL DRAIN
7	E265000130	1	COCK,Rc3/4 - Rc3/4
8	V187000130	1	NIPPLE,R3/4 HOSE
9	V206000800	2	BOLT,M10X25-SPW
10	M601000350	4	JOINT
11	V581000770	4	+ RING,JIS B 2401 P24 O
12	K576000190	2	HOSE,15XL600,G3/4
13	90010008085	2	BOLT,M8X85
14	V205000630	2	BOLT
15	90060000008	4	WASHER,M8
16	E328000120	1	DRAIN PLUG
17	I1096230570	1	GASKET,OIL DRAIN PLUG
18	I8980756712	1	FILTER ASM,OIL
19	I8980756761	1	+ OIL FILTER

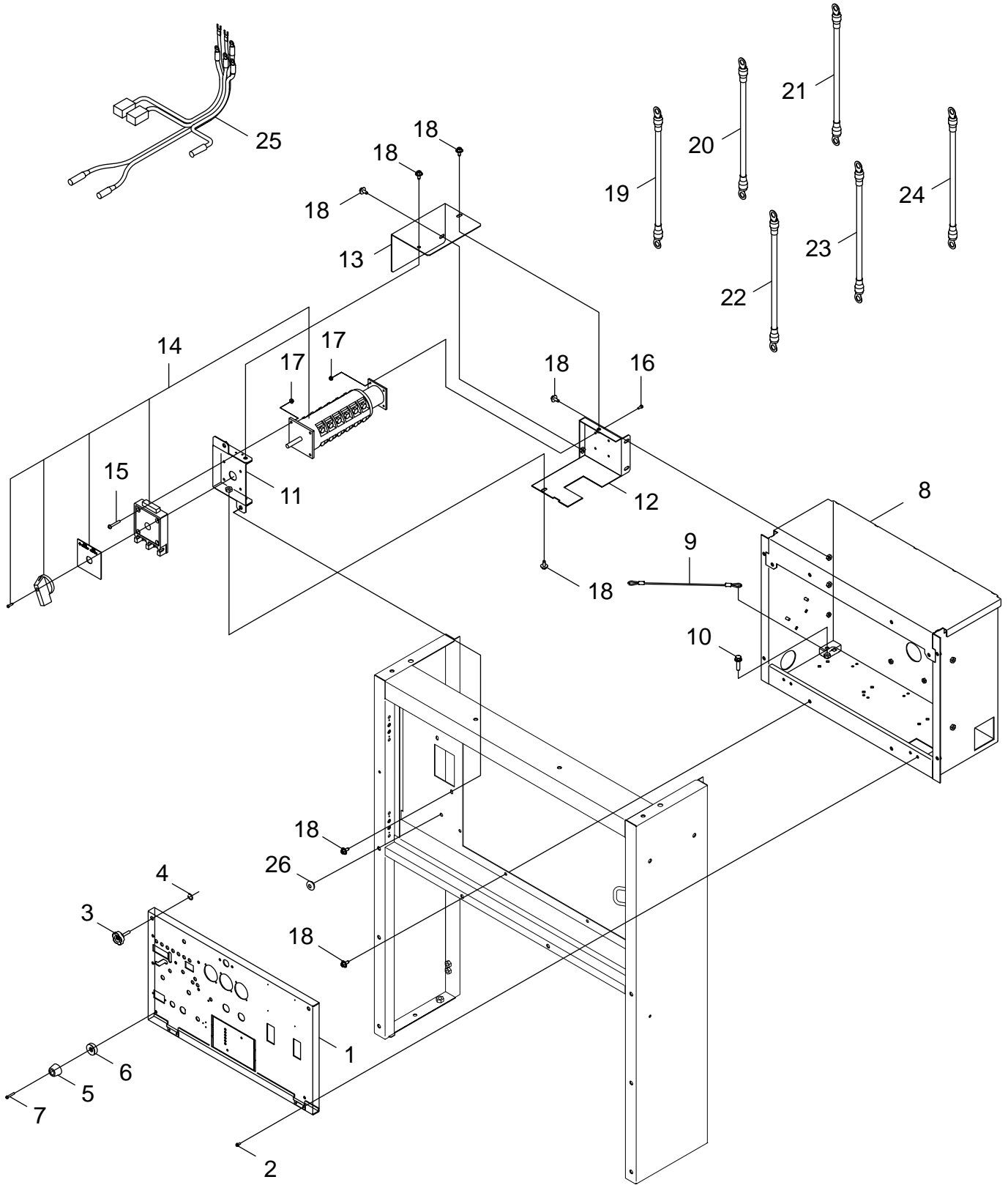
ENCLOSURE FRAME



ENCLOSURE FRAME

NO.	PART NUMBER	QTY.	DESCRIPTION
1	J495000231	1	ENCLOSURE FRAME
2	J485000250	2	HINGE
3	J500001130	1	PANEL
4	J485000310	2	HINGE
5	M040000531	1	FRONT DOOR,ASM
6	J485000280	2	HINGE
7	C701000420	1	LOCK COVER
8	V264000220	4	FLANGE NUT,M6 SERRATED
9	M471000190	1	FUEL FILL COVER
10	J485000330	2	HINGE
11	C701001110	1	HANDLE,C319A2
12	J495000241	1	ENCLOSURE FRAME
13	M415001060	1	PLATE,REAR
14	M418000150	1	PLATE,BAFFLE
15	J500001081	1	PANEL
16	V204001090	4	BOLT,M6X16 FT SW
17	V206000800	8	BOLT,M10X25-SPW
18	J485000260	4	HINGE
19	J485000250	4	HINGE
20	V205001420	22	BOLT,M8X20-SPW
21	V420003070	5	STAND,RUBBER
22	9138104020	5	SCREW,4X20 TAPPING
23	9131808020	8	SCREW TRUSS
24	9144704012	4	SCREW,4X12 TAPPING
25	V205001260	16	BOLT,M8X15

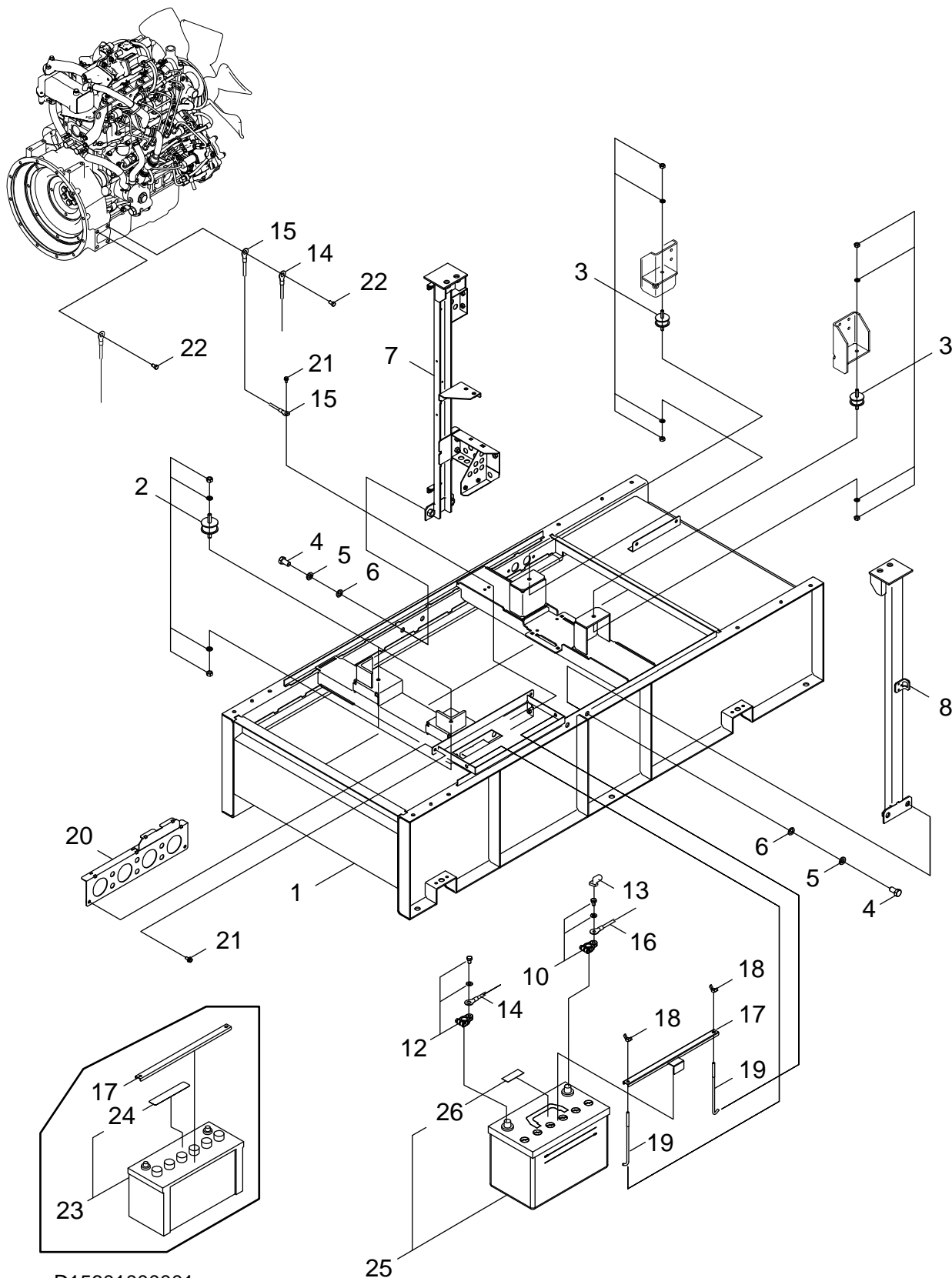
FRONT ENCLOSURE



FRONT ENCLOSURE

NO.	PART NUMBER	QTY.	DESCRIPTION	
1	C160001701	1	PANEL,OPERATION	
2	9156404010	4	SCREW,M4X10 W/SW	
3	M613000020	2	OPERATION PANEL ACCESS KNOB	
4	V583000230	2	RING,U	
5	V420003070	2	STAND,RUBBER	
6	V420003100	2	STAND,RUBBER	
7	9134104025	2	SCREW,M4X25 SW	
8	J430001351	1	CONTROL BOX	
9	C617000550	1	STOPPER,DOOR	
10	9102408035	1	BOLT,M8X35 W/SW	
11	A472000690	1	CASE,SWITCH	
12	A472000710	1	CASE,SWITCH	
13	A472000700	1	CASE,SWITCH	
14	M115000340	1	SWITCH,CAM	
15	9131204035	4	SCREW	
16	9156404012	4	SCREW,M4X12 SW	
17	V262000190	8	FLANGE NUT,M4 SERRATED	
18	V204001090	16	BOLT,M6X16 FT SW	
19	M387000100	1	LEAD	
20	M387000110	1	LEAD	
21	M387000120	1	LEAD	
22	M387000130	1	LEAD	
23	M387000140	1	LEAD	
24	M387000070	1	LEAD	
25	G031005110	1	HARNESS,WIRE	D15601000001-D15601000393
25	G032000400	1	HARNESS,WIRE	D15601000394-D15601000562
25	G031005110	1	HARNESS,WIRE	D15601000563
26	V144000460	1	GROMMET	

BASE, FRAME



D1560100001
- D15601000550

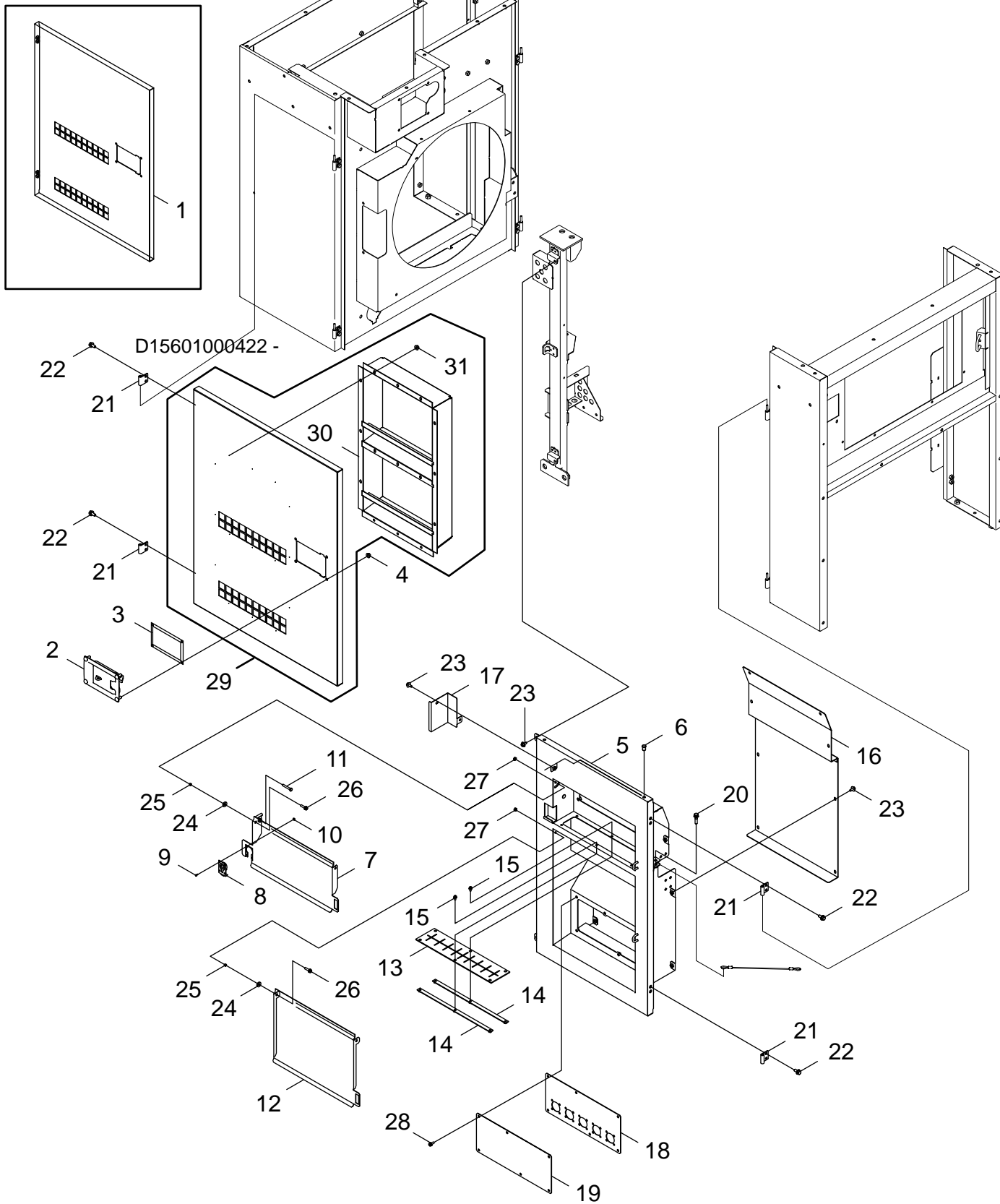
BASE, FRAME

NO.	PART NUMBER	QTY.	DESCRIPTION	
1	J404001130	1	FRAME	
2	V420003040	2	AV RUBBER	
3	V404000140	2	MOTOR MOUNT RUBBER ISOLATOR ASSY	
4	90010416030	4	BOLT,M16X30	
5	9223516000	4	WASHER,M16 SPRING	
6	9222216000	4	WASHER,M16	
7	J415000990	1	STAY,ENCLOSURE FRAME	
8	J415001000	1	STAY,ENCLOSURE FRAME	
10	V486000201	1	TERMINAL,LEAD	
12	V486000211	1	TERMINAL,LEAD	
13	G305000040	1	TERMINAL CAP (RED)	
14	M387000040	1	LEAD	D15601000001-D15601000515
14	M394000010	1	LEAD,60MM2 L700 B	D15601000516-
15	M387000050	1	LEAD	D15601000001-D15601000515
15	M394000020	1	LEAD,38MM2 L550 B	D15601000516-
16	M387000060	1	LEAD	
17	G303000341	1	HOLDER,BATTERY	D15601000001-D15601000550
17	G303000640	1	HOLDER,BATTERY	D15601000551-
18	9219008000	2	NUT,M8 WING	
19	V240000240	2	BOLT,HOOK	
20	C527001320	1	STAY	
21	V205001170	3	BOLT,M8X20-SPW	
22	9102412025	2	BOLT,M12X25	
23	V046000200	1	BATTERY,ASM	D15601000001-D15601000550
24	X505010410	1	+ LABEL,PROPOSITION65/BATTERIES CAUTION	D15601000001-D15601000550
25	V046000280	1	BATTERY,ASM	D15601000551-
26	X564001320	1	+ LABEL,BATTERY CAUTION	D15601000551-

LEFT ENCLOSURE

D15601000422 - D15601000421

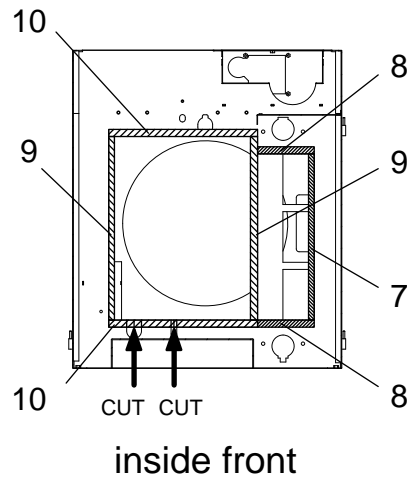
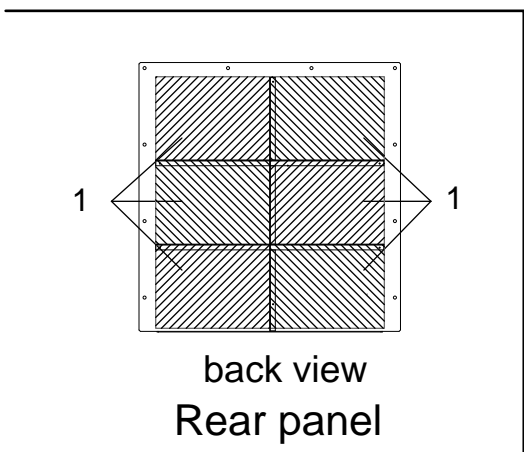
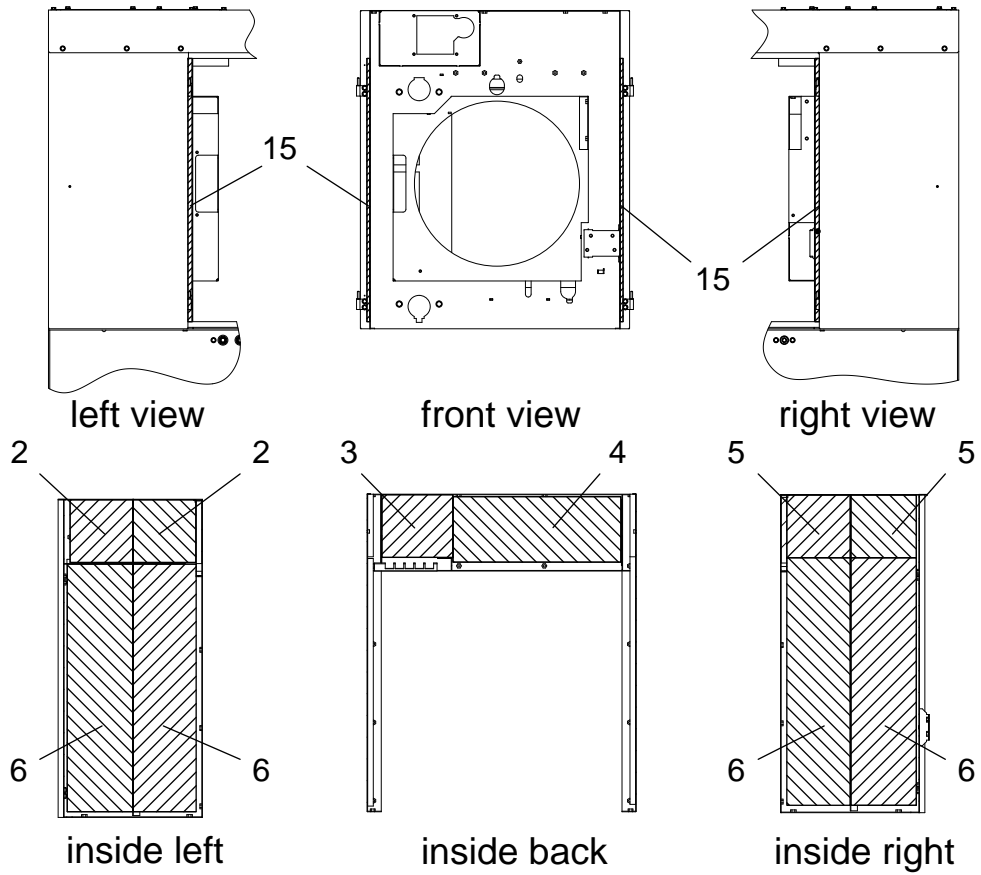
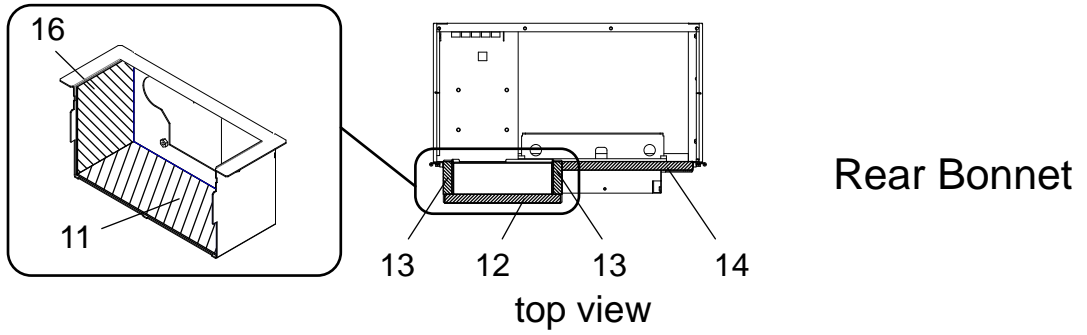
Disuse



LEFT ENCLOSURE

NO.	PART NUMBER	QTY.	DESCRIPTION	
1	M404001260	1	DOOR,LEFT	D15601000001-D15601000421 DISUSE
2	C701000440	1	LOCK COVER,A-838-A-3	
3	V541000350	1	LOCK COVER GASKET	
4	V265000290	4	FLANGE NUT,M8 SERRATED	
5	M409001190	1	DOOR,SIDE	D15601000001-D15601000041
5	M409001191	1	DOOR,SIDE	
6	V162000520	2	PLUG,CP-30-HP-3	
7	M471000240	1	COVER	
8	C390000050	1	LATCH	
9	90027303012	4	SCREW,3X12	
10	V261000010	4	FLANGE NUT,M3 SERRATED	
11	9100206040	1	BOLT,M6X40	
12	M471000220	1	COVER	
13	J447001170	1	GUARD	
14	C444000100	2	SUPPORT,GUARD	
15	9103405016	6	BOLT,M5X16	
16	M471000150	1	COVER	
17	M471000161	1	COVER	
18	J500001140	1	PANEL	D15601000001-D15601000381
19	J500001150	1	PANEL	
20	9102408035	1	BOLT,M8X35 W/SW	
21	J485000280	4	HINGE	
22	V205001260	8	BOLT,M8X15	
23	V204001090	13	BOLT,M6X16 FT SW	
24	V420003160	4	BUSHING,T4X8.2X18 RUBBER	
25	V353000530	4	COLLAR,6XL5	
26	9103606025	4	BOLT SW,M6X25	
27	V264000220	4	FLANGE NUT,M6 SERRATED	
28	V204001610	6	BOLT,M6X165-SPW	
29	M405000180	1	DOOR,LEFT	D15601000422-
30	G129000430	1	+ DUCT,AIR	
31	V264000220	15	+ FLANGE NUT,M6 SERRATED	

REAR ENCLOSURE FRAME INSULATION

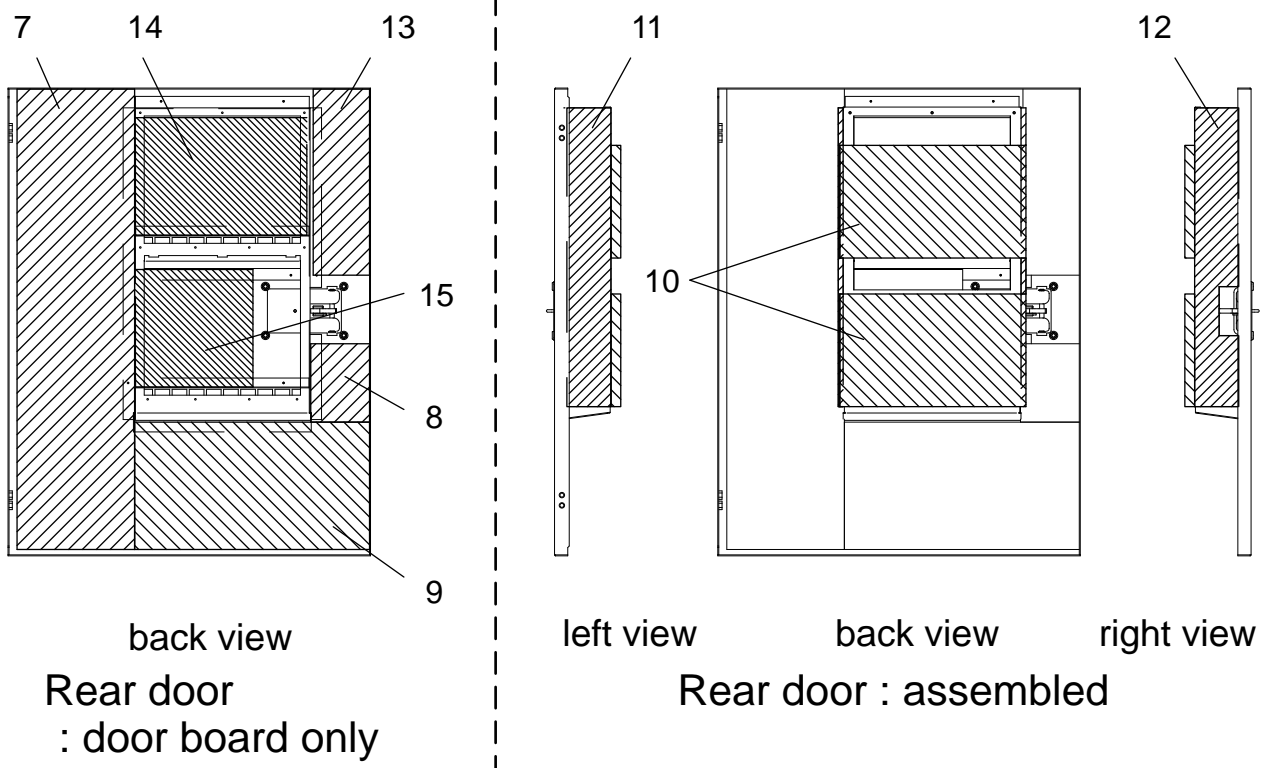
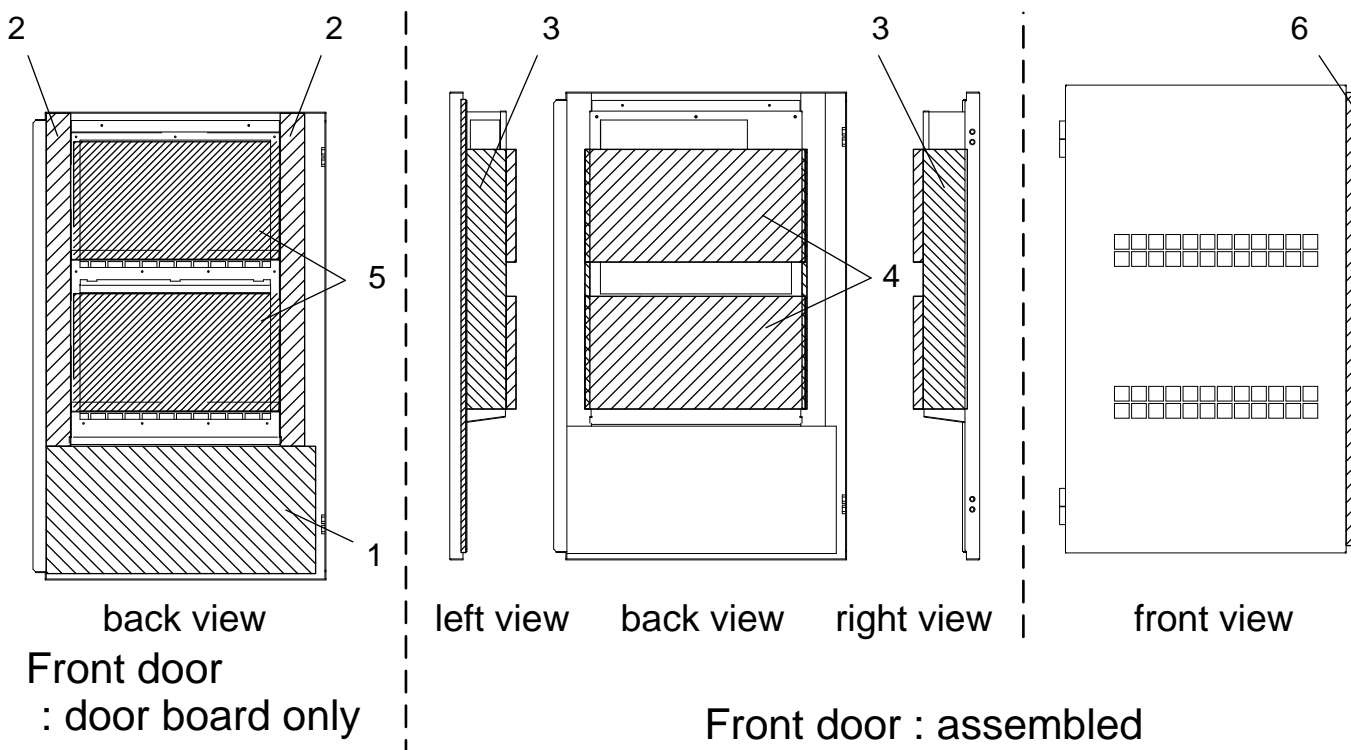


REAR ENCLOSURE FRAME INSULATION

NO.	PART NUMBER	QTY.	DESCRIPTION	
1	V413000130	1	INSULATION,T20X300X410 REAR PANEL	REAR PANEL
2	A322000210	2	INSULATOR,T20X220X220 REAR BASE FRAME MUFFLER	REAR BONNET
3	A322000220	1	INSULATOR,T20X220X250 REAR BASE FRAME MUFFLER	REAR BONNET
4	V413000080	1	INSULATION,T20X230X590 REAR BASE FRAME	REAR BONNET
5	V413000070	2	INSULATION,T20X220X230 REAR BASE FRAME	REAR BONNET
6	V415000010	4	INSULATION,T20X230X870 REAR BASE FRAME	REAR BONNET
7	V413000110	1	INSULATION,T20X20X585 REAR BASE FRAME	REAR BONNET
8	V413000120	2	INSULATION,T15X25X200 REAR BASE FRAME	REAR BONNET
9	V413000090	2	INSULATION, T20X25X645 REAR BASE FRAME	REAR BONNET
10	V413000100	2	INSULATION,T10X25X525 REAR BASE FRAME	REAR BONNET
11	A322000230	1	INSULATOR,T3X140X350 REAR BASE FRAME MUFFLER	REAR BONNET
12	V542000430	1	SEAL,T4X30X405 REAR BASE FRAME	REAR BONNET
13	V542000440	2	SEAL,T4X30X115 REAR BASE FRAME	REAR BONNET
14	V542000450	1	SEAL,T4X30X460 REAR BASE FRAME	REAR BONNET
15	V542000460	2	SEAL,T15X10X925 REAR BASE FRAME	REAR BONNET
16	A322000240	1	INSULATOR,T3X140X190 REAR BASE FRAME MUFFLER	REAR BONNET

ENCLOSURE FRAME, RIGHT FRONT AND REAR DOOR INSULATION

D1560100001 - D15601000421

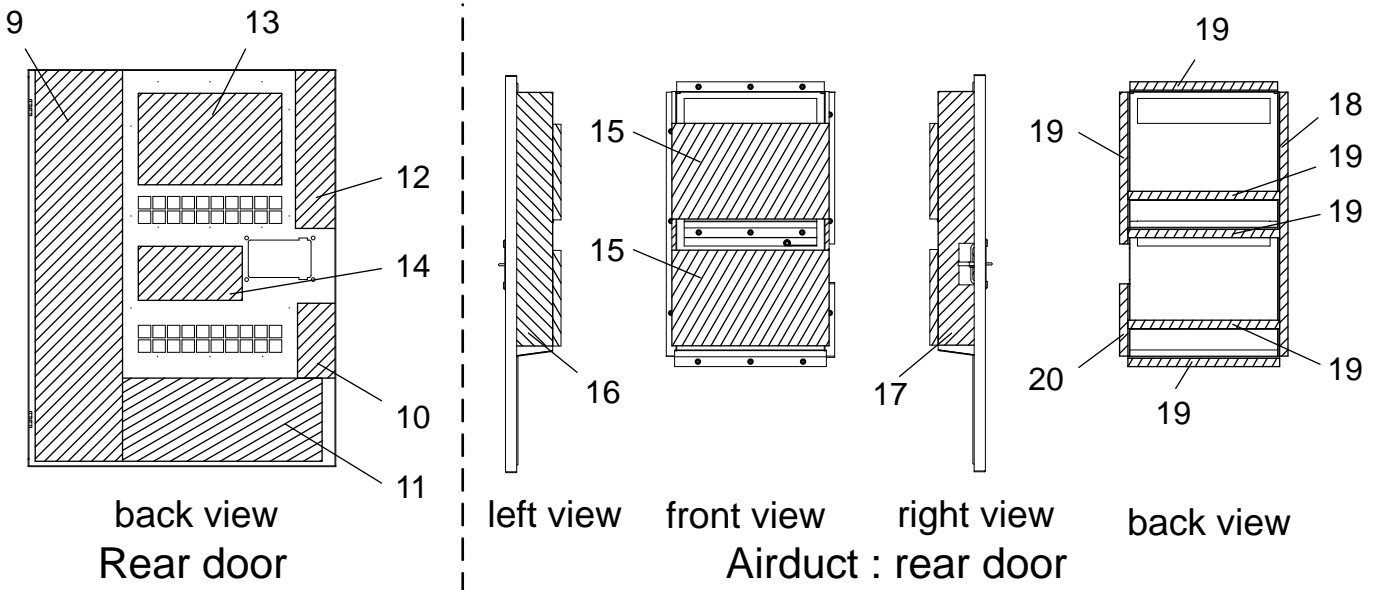
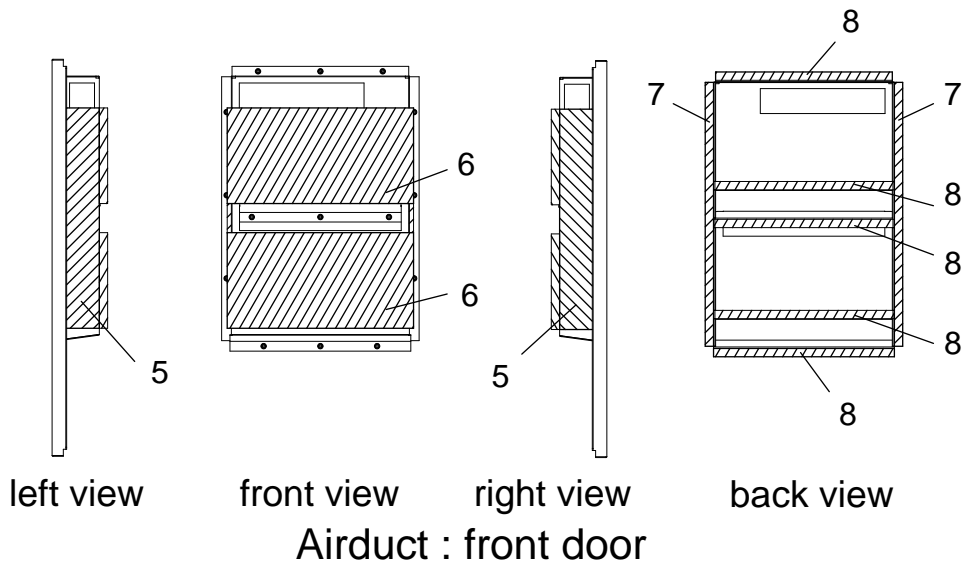
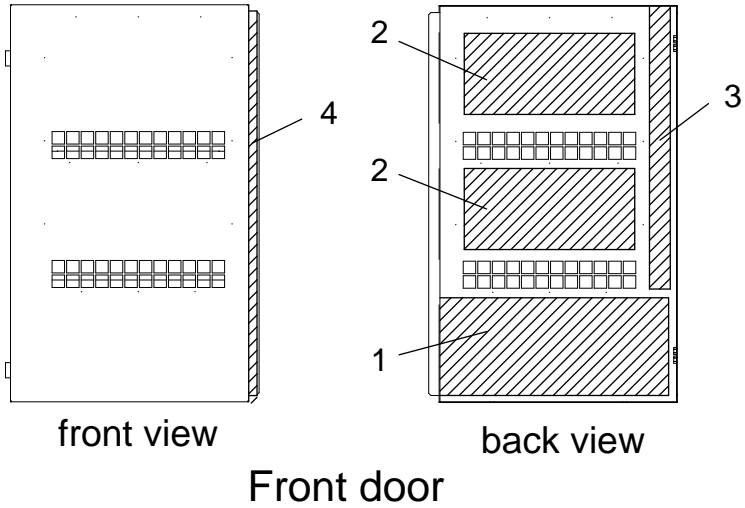


ENCLOSURE FRAME, RIGHT FRONT AND REAR DOOR INSULATION

NO.	PART NUMBER	QTY.	DESCRIPTION	
1	V413000140	1	INSULATION,T10X260X550 FRONT DOOR	FRONT DOOR
2	V413000150	2	INSULATION,T20X50X680 FRONT DOOR	FRONT DOOR
3	V413000160	2	INSULATION,T10X90X530 FRONT DOOR	FRONT DOOR
4	V413000170	2	INSULATION,T20X230X450 FRONT DOOR	FRONT DOOR
5	V413000180	2	INSULATION,T20X240X420 FRONT DOOR	FRONT DOOR
6	J414002360	1	SEAL,T10X20X925 BASE FRAME FRONT DOOR	FRONT DOOR
7	V413000190	1	INSULATION,T20X240X940 REAR DOOR	REAR DOOR
8	V413000200	1	INSULATION,T20X120X160 REAR DOOR	REAR DOOR
9	V413000220	1	INSULATION,T20X260X480 REAR DOOR	REAR DOOR
10	V413000210	2	INSULATION,T20X230X380 REAR DOOR	REAR DOOR
11	V413000230	1	INSULATION,T10X90X610 REAR DOOR	REAR DOOR
12	V413000240	1	INSULATION,T10X90X610 REAR DOOR	REAR DOOR
13	V415000020	1	INSULATION,T20X115X380 REAR DOOR	REAR DOOR
14	V413000250	1	INSULATION,T20X240X350 REAR DOOR	REAR DOOR
15	V413000260	1	INSULATION,T20X240X240 REAR DOOR	REAR DOOR

ENCLOSURE FRAME, RIGHT FRONT AND REAR DOOR AIR DUCT INSULATION

D15601000422 -

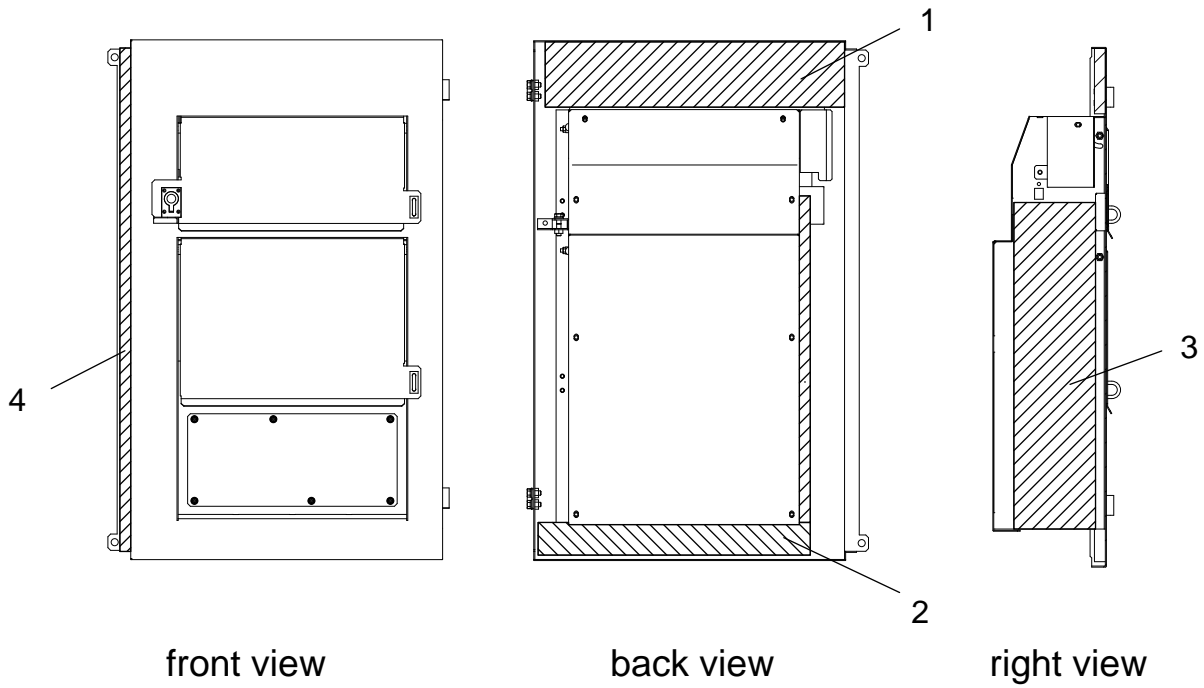


ENCLOSURE FRAME, RIGHT FRONT AND REAR DOOR AIR DUCT INSULATION

NO.	PART NUMBER	QTY.	DESCRIPTION	
1	V903000030	1	INSULATION,T10X235X550 FRONT DOOR	FRONT DOOR
2	V903000040	2	INSULATION,T20X195X410 FRONT DOOR	FRONT DOOR
3	V413000150	1	INSULATION,T20X50X680 FRONT DOOR	FRONT DOOR
4	J414002360	1	SEAL,T10X20X925 BASE FRAME FRONT DOOR	FRONT DOOR
5	V413000160	2	INSULATION,T10X90X530 FRONT DOOR	AIR DUCT:FRONT DOOR
6	V413000170	2	INSULATION,T20X230X450 FRONT DOOR	AIR DUCT:FRONT DOOR
7	V544000270	2	SEAL,T1.5X20X635 FRONT DOOR AIR DUCT	AIR DUCT:FRONT DOOR
8	V544000280	5	SEAL,T1.5X20X435 FRONT DOOR AIR DUCT	AIR DUCT:FRONT DOOR
9	V903000050	1	INSULATION,T20X210X940 REAR DOOR	REAR DOOR
10	V416000020	1	INSULATION,T20X90X180 REAR DOOR	REAR DOOR
11	V410000050	1	INSULATION,T20X200X480 REAR DOOR	REAR DOOR
12	V903000060	1	INSULATION,T20X95X380 REAR DOOR	REAR DOOR
13	V903000070	1	INSULATION,T20X220X345 REAR DOOR	REAR DOOR
14	V901000370	1	INSULATION,T20X130X250 REAR DOOR	REAR DOOR
15	V413000210	2	INSULATION,T20X230X380 REAR DOOR	AIR DUCT:REAR DOOR
16	V413000230	1	INSULATION,T10X90X610 REAR DOOR	AIR DUCT:REAR DOOR
17	V413000240	1	INSULATION,T10X90X610 REAR DOOR	AIR DUCT:REAR DOOR
18	V544000270	1	SEAL,T1.5X20X635 FRONT DOOR AIR DUCT	AIR DUCT:REAR DOOR
19	V544000290	6	SEAL,T1.5X20X365 REAR DOOR AIR DUCT	AIR DUCT:REAR DOOR
20	V543000270	1	SEAL,T1.5X20X180 REAR DOOR AIR DUCT	AIR DUCT:REAR DOOR

ENCLOSURE FRAME, LEFT FRONT AND REAR DOOR INSULATION

D15601000001 - D15601000421

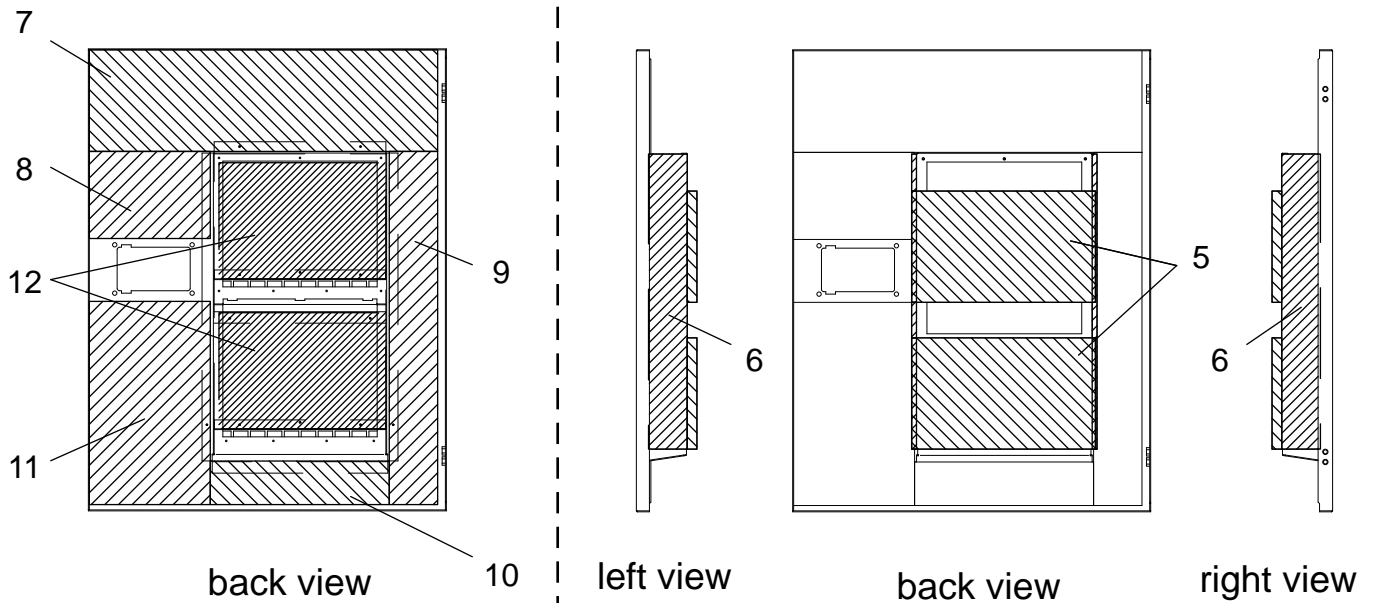


front view

back view

right view

Front door



back view

left view

back view

right view

Rear door: door board only

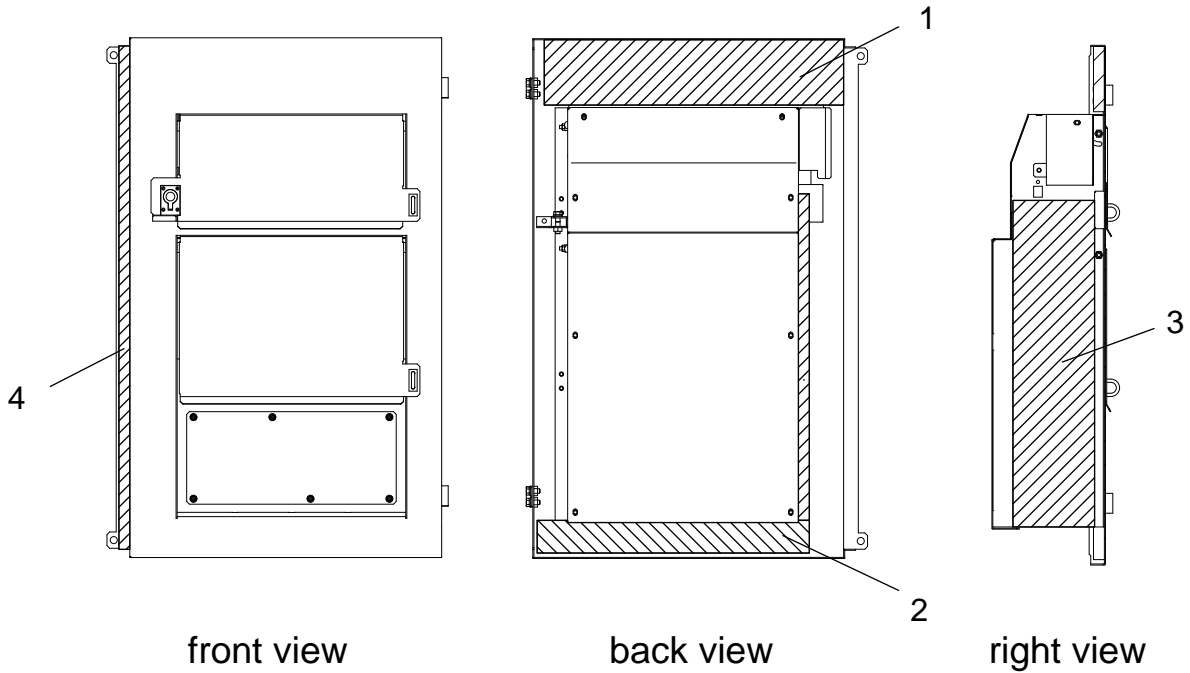
Rear door : assembled

ENCLOSURE FRAME, LEFT FRONT AND REAR DOOR INSULATION

NO.	PART NUMBER	QTY.	DESCRIPTION	
1	V413000330	1	INSULATION,T20X120X550 FRONT DOOR	FRONT DOOR
2	V413000340	1	INSULATION,T20X60X500 FRONT DOOR	FRONT DOOR
3	V413000350	1	INSULATION,T20X150X600 FRONT DOOR	FRONT DOOR
4	J414002360	1	SEAL,T10X20X925 BASE FRAME FRONT DOOR	FRONT DOOR
5	V413000210	2	INSULATION,T20X230X380 REAR DOOR	REAR DOOR
6	V413000320	2	INSULATION,T10X80X610 REAR DOOR	REAR DOOR
7	V413000270	1	INSULATION,T20X210X720 REAR DOOR	REAR DOOR
8	V413000280	1	INSULATION,T20X180X250 REAR DOOR	REAR DOOR
9	V413000290	1	INSULATION,T20X100X730 REAR DOOR	REAR DOOR
10	V413000310	1	INSULATION,T20X90X370 REAR DOOR	REAR DOOR
11	V413000300	1	INSULATION,T20X250X420 REAR DOOR	REAR DOOR
12	V413000250	2	INSULATION,T20X240X350 REAR DOOR	REAR DOOR

ENCLOSURE FRAME, LEFT FRONT AND REAR DOOR AIR DUCT INSULATION

D15601000422 -

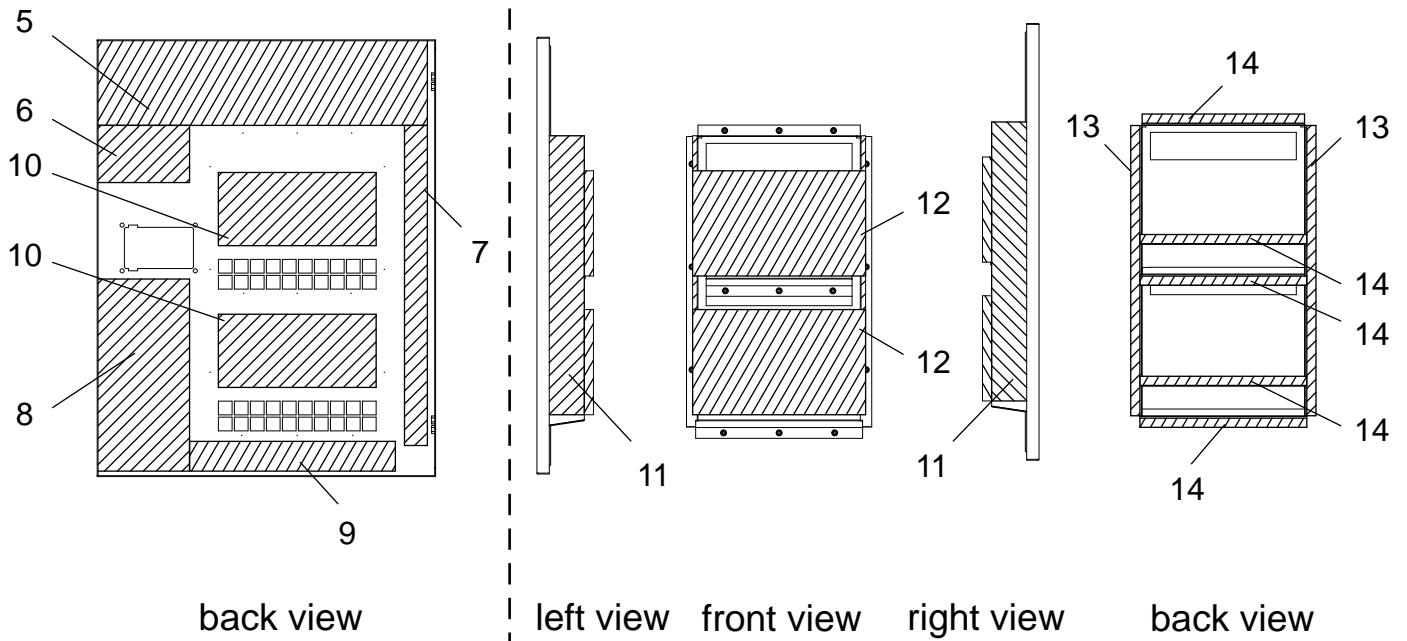


front view

back view

right view

Front door



back view

left view

front view

right view

back view

Rear door

Air duct : rear door

ENCLOSURE FRAME, LEFT FRONT AND REAR DOOR AIR DUCT INSULATION

NO.	PART NUMBER	QTY.	DESCRIPTION	
1	V413000330	1	INSULATION,T20X120X550 FRONT DOOR	FRONT DOOR
2	V413000340	1	INSULATION,T20X60X500 FRONT DOOR	FRONT DOOR
3	V413000350	1	INSULATION,T20X150X600 FRONT DOOR	FRONT DOOR
4	J414002360	1	SEAL,T10X20X925 BASE FRAME FRONT DOOR	FRONT DOOR
5	V903000080	1	INSULATION,T20X185X720 REAR DOOR	REAR DOOR
6	V418000230	1	INSULATION,T20X125X200 REAR DOOR	REAR DOOR
7	V413000520	1	INSULATION,T20X50X700 REAR DOOR	REAR DOOR
8	V410000060	1	INSULATION,T20X200X420 REAR DOOR	REAR DOOR
9	V413000380	1	INSULATION,T20X65X450 PANEL	REAR DOOR
10	V901000380	2	INSULATION,T20X160X345 REAR DOOR	REAR DOOR
11	V413000320	1	INSULATION,T10X80X610 REAR DOOR	AIR DUCT:REAR DOOR
12	V413000210	1	INSULATION,T20X230X380 REAR DOOR	AIR DUCT:REAR DOOR
13	V544000270	1	SEAL,T1.5X20X635 FRONT DOOR AIR DUCT	AIR DUCT:REAR DOOR
14	V544000290	1	SEAL,T1.5X20X365 REAR DOOR AIR DUCT	AIR DUCT:REAR DOOR