



Accessories for ECHO products can be found at:

Los accesorios para los productos ECHO se pueden encontrar en:

www.echo-usa.com/products/catalogs

OPTIONAL ACCESSORIES &

ATTACHMENTS:

Rain Gutter Kit 99944100026

Curved Tip Blower Tube E165000160

ACCESORIOS OPCIONALES

Juego de canaletas para limpiezas 99944100026

Tubo de Soplado de punta curva E165000160

PARTS CATALOG
LISTA DE PIEZAS

PB-580T
Backpack Blower
PB-580T Soplador de mochila



58.2 cc

SERIAL NUMBER
NÚMERO DE SERIE

P48414001001 - P48414999999

ECHO Incorporated

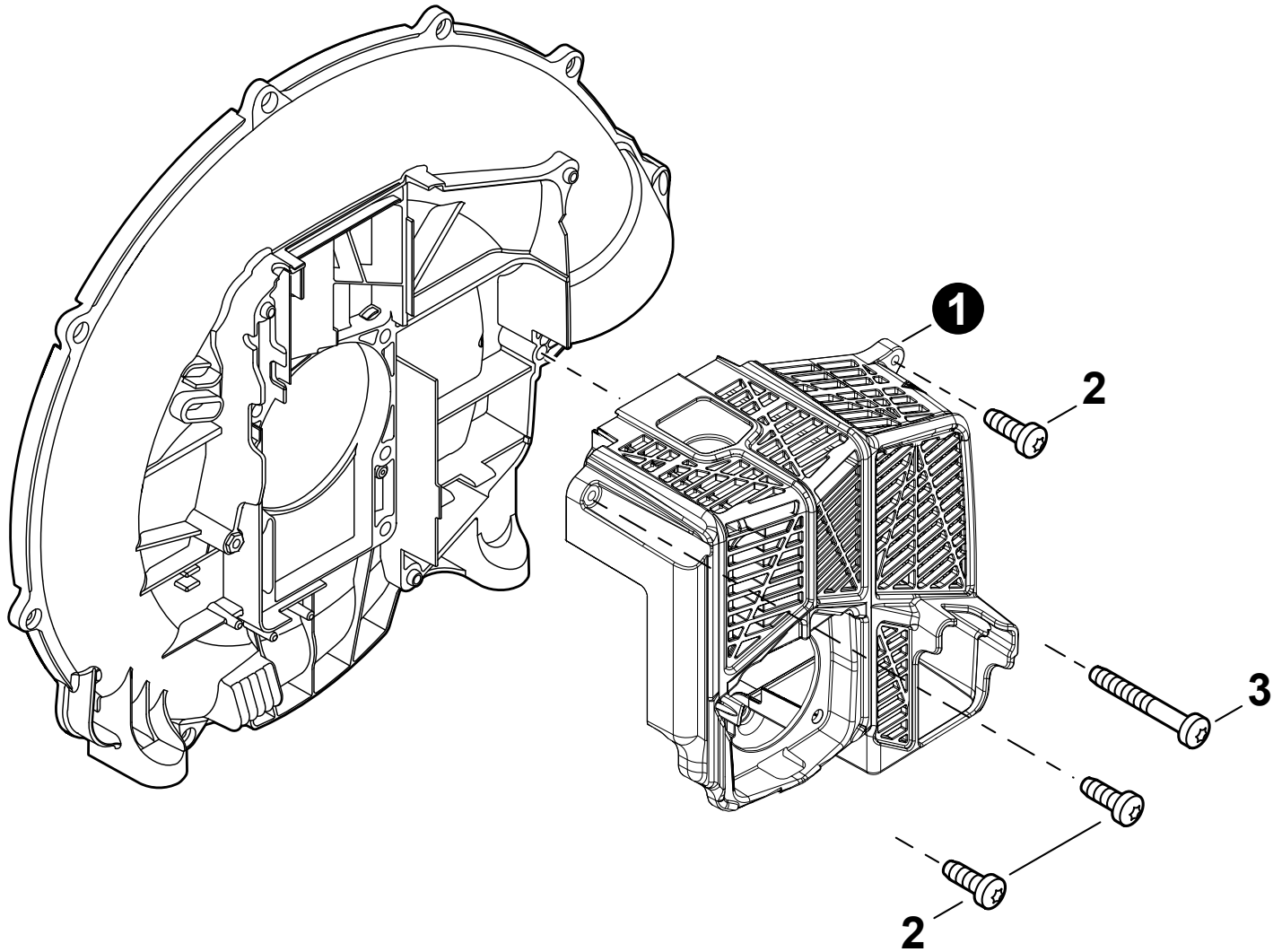
400 Oakwood Road, Lake Zurich, Illinois 60047

WWW.ECHO-USA.COM

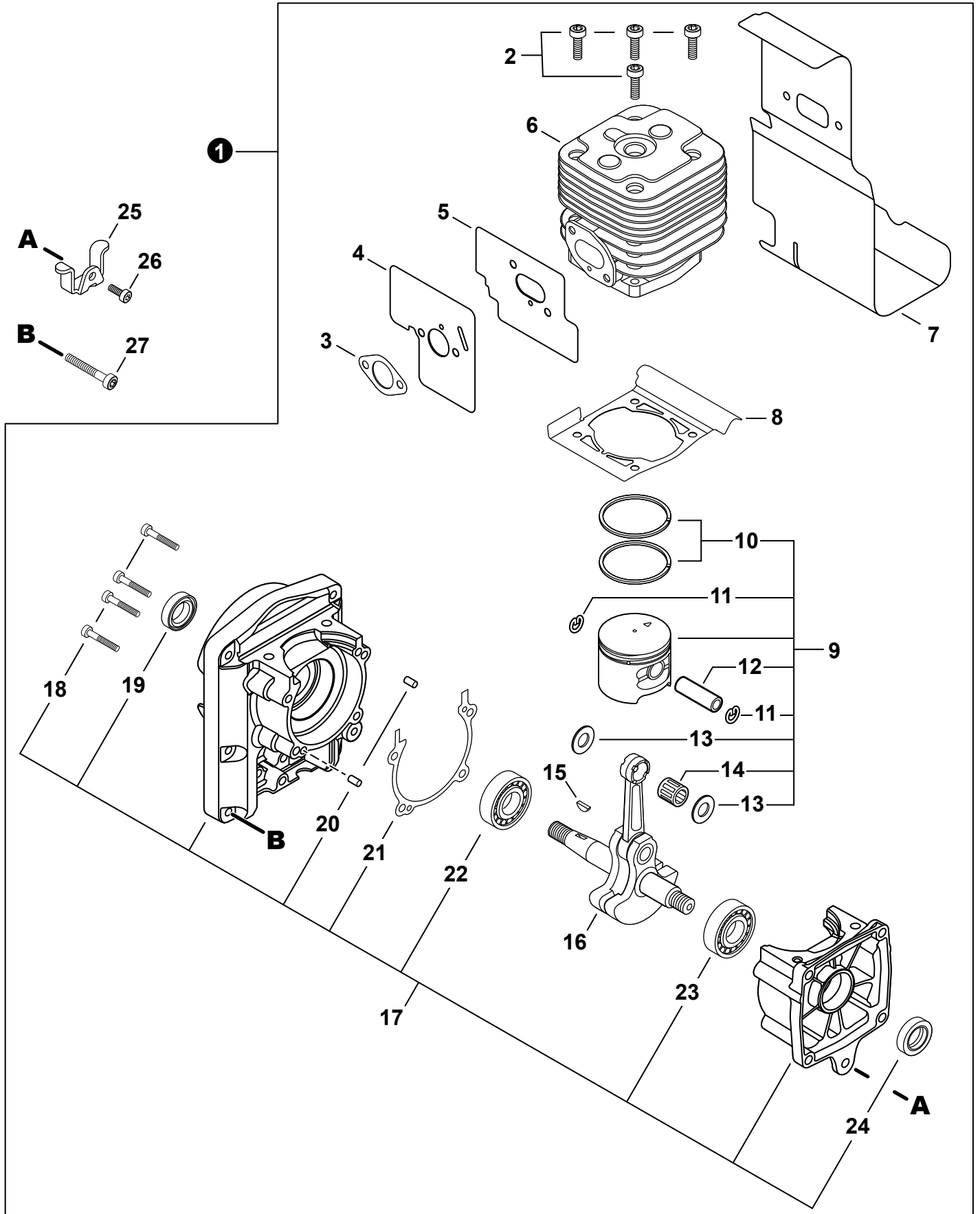
©2025 ECHO Incorporated. All Rights Reserved

P/N 99922205524
REVISED 05/23/25

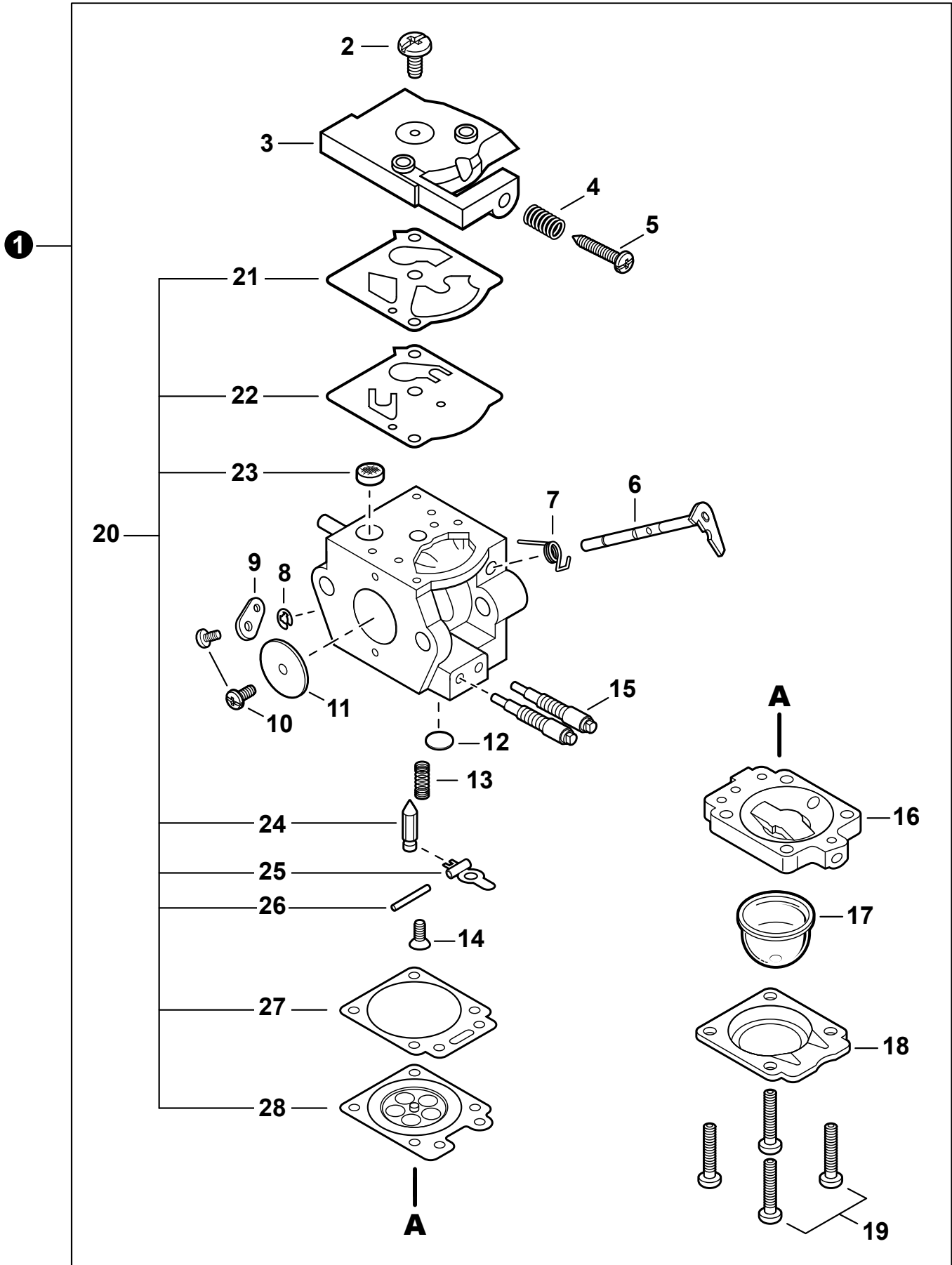
| | |
|--|-----------|
| Engine Cover | 3 |
| Cubierta de motor | |
| Engine | 4 |
| Motor | |
| Engine | 5 |
| Motor | |
| Carburetor | 6 |
| Carburador | |
| Carburetor | 7 |
| Carburador | |
| Intake | 8 |
| Admisión | |
| Exhaust | 9 |
| Escape | |
| Flywheel, Ignition | 10 |
| Volante, Encendido | |
| Recoil Starter | 11 |
| Arrancador Autorretráctil | |
| Fuel System | 12 |
| Sistema de combustible | |
| Harness, Backpack Frame, Debris Guard | 13 |
| Arnés , Armazón de mochila, Protector contra residuos | |
| Fan Case | 14 |
| Caja de ventilador | |
| Throttle Control - Tube Mount | 15 |
| Control de acelerador sujeto al tubo | |
| Blower Tubes | 16 |
| Tubos de soplador | |
| Labels | 17 |
| Etiquetas | |
| Maintenance Kits | 18 |
| Juegos de mantenimiento | |
| Bulk Pipe | 18 |
| Tubo al por mayor | |
| Bulk Starter Rope | 18 |
| Cuerda del arrancador al por mayor | |



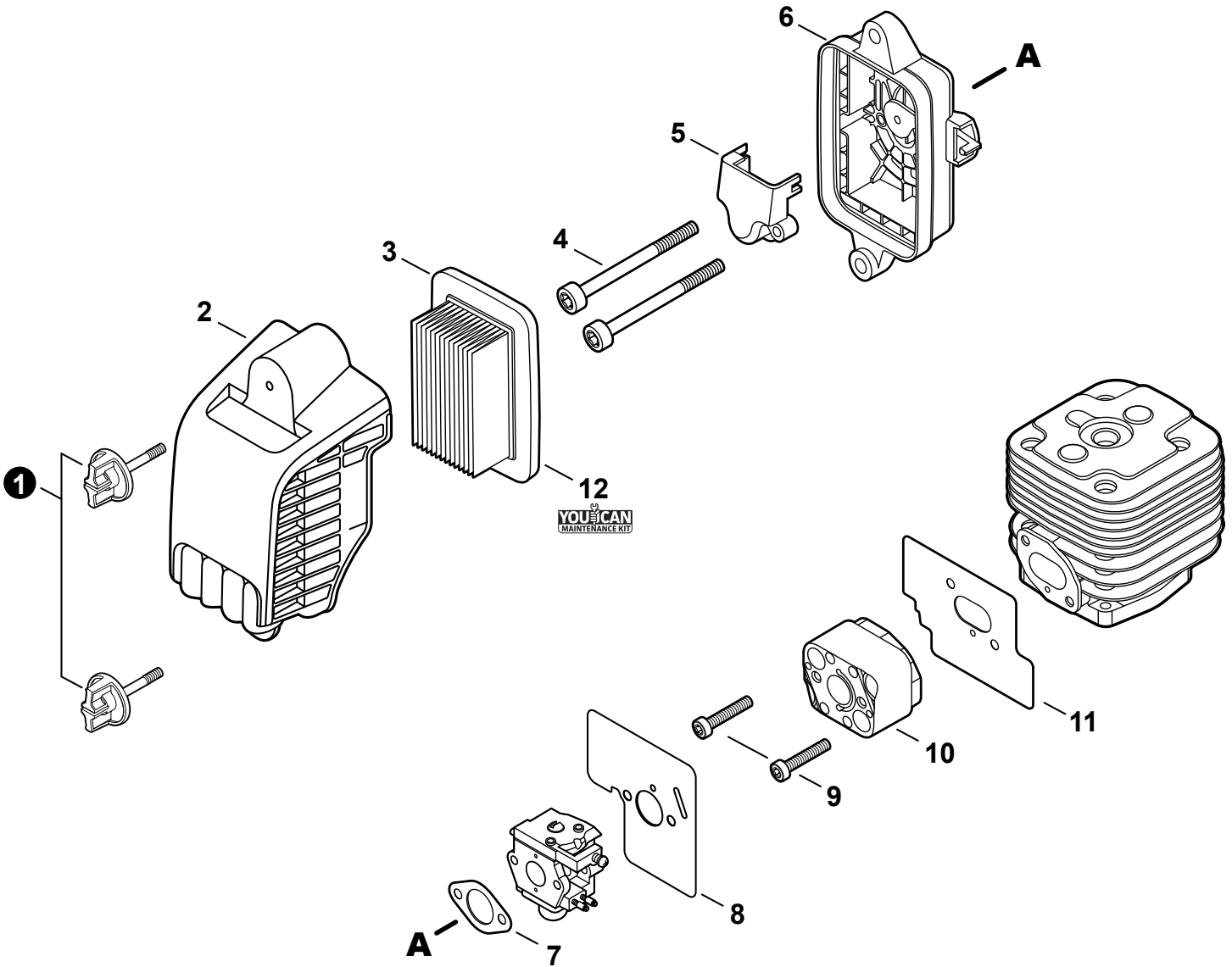
| NO. | PART NUMBER | QTY. | DESCRIPTION | DESCRIPCIÓN |
|-----|-------------|------|-----------------|-------------------|
| 1 | A190001481 | 1 | COVER, ENGINE | CUBIERTA DE MOTOR |
| 2 | V805000010 | 3 | BOLT, TORX 5x20 | PERNO TORX 5x20 |
| 3 | V805000040 | 1 | BOLT, TORX 5x55 | PERNO TORX 5x55 |



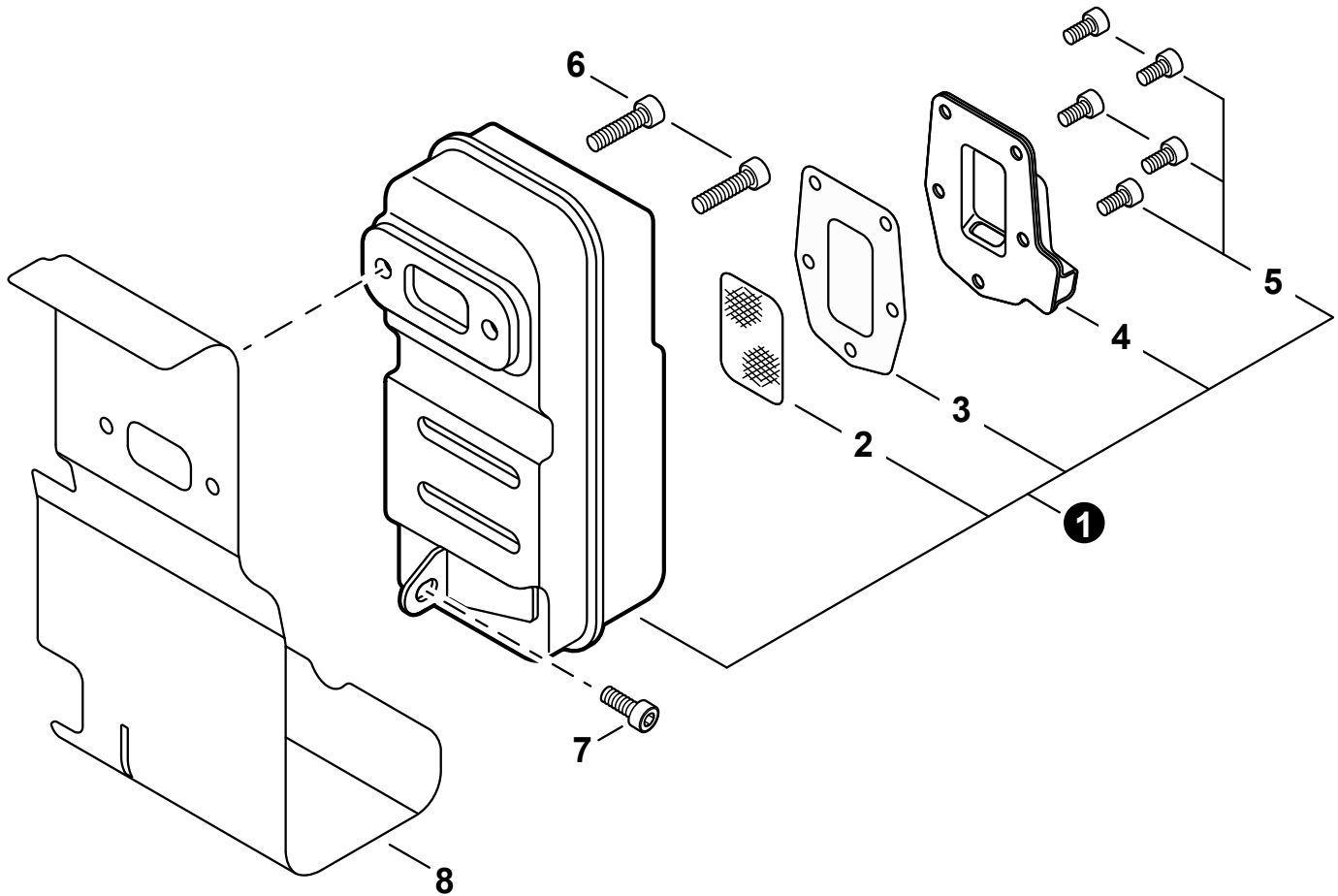
| NO. | PART NUMBER | QTY. | DESCRIPTION | DESCRIPCIÓN |
|-----|-------------|------|-------------------------|----------------------------------|
| 1 | SB1116 | 1 | SHORT BLOCK | BLOQUE CORTO |
| 2 | V805000210 | 4 | +BOLT, TORX 5x20 | +PERNO TORX 5x20 |
| 3 | V103001790 | 1 | +GASKET, INTAKE | +EMPAQUETADURA DE ADMISIÓN |
| 4 | V103001780 | 1 | +GASKET, INTAKE | +EMPAQUETADURA DE ADMISIÓN |
| 5 | V103001770 | 1 | +HEAT SHIELD, INTAKE | +PROTECTOR TÉRMICO DEL ADMISIÓN |
| 6 | A130002250 | 1 | +CYLINDER | +CILINDRO |
| 7 | V104002280 | 1 | +HEAT SHIELD, EXHAUST | +PROTECTOR TÉRMICO DEL ESCAPE |
| 8 | V100000811 | 1 | +GASKET, CYLINDER | +EMPAQUETADURA DE CILINDRO |
| 9 | P021048140 | 1 | +PISTON KIT | +JUEGO DE PISTÓN |
| 10 | 10001132330 | 2 | ++RING, PISTON | ++ANILLO DEL PISTÓN |
| 11 | V580000010 | 2 | ++RING, SNAP 10 | ++ANILLO RETENEDOR 10 |
| 12 | V608000000 | 1 | ++PIN, PISTON 10 | ++PASADOR DEL PISTÓN 10 |
| 13 | V3070000050 | 2 | ++WASHER, THRUST 10 | ++ARANDELA DE EMPUJE 10 |
| 14 | V555000010 | 1 | ++BEARING, NEEDLE 10 | ++COJINETE DE AGUJAS 10 |
| 15 | 90032303014 | 1 | +KEY, WOODRUFF 3x14 | +CHAVETA WOODRUFF 3x14 |
| 16 | A011001390 | 1 | +CRANKSHAFT | +CIGÜEÑAL |
| 17 | P021048151 | 1 | +CRANKCASE KIT | +JUEGO DE CÁRTER |
| 18 | V805000180 | 4 | ++BOLT, TORX 5x30 | ++PERNO TORX 5x30 |
| 19 | 10021300310 | 1 | ++SEAL, OIL | ++SELLO DE ACEITE |
| 20 | 90033040080 | 2 | ++PIN, LOCATING 4x8 | ++PASADOR DE POSICIONAMIENTO 4x8 |
| 21 | V102000270 | 1 | ++GASKET, CRANKCASE | ++EMPAQUETADURA DE CÁRTER |
| 22 | 9400036302 | 1 | ++BEARING, BALL 6302 C3 | ++COJINETE DE BOLAS 6302 C3 |
| 23 | 90081036202 | 1 | ++BEARING, BALL 6202 | ++COJINETE DE BOLAS 6202 |
| 24 | V508000100 | 1 | ++SEAL, OIL 15 | ++SELLO DE ACEITE 15 |
| 25 | V401000600 | 1 | CUSHION 5 | AMORTIGUADOR 5 |
| 26 | V805000140 | 1 | BOLT, TORX 5x12 | PERNO TORX 5x12 |
| 27 | V805000180 | 6 | BOLT, TORX 5x30 | PERNO TORX 5x30 |



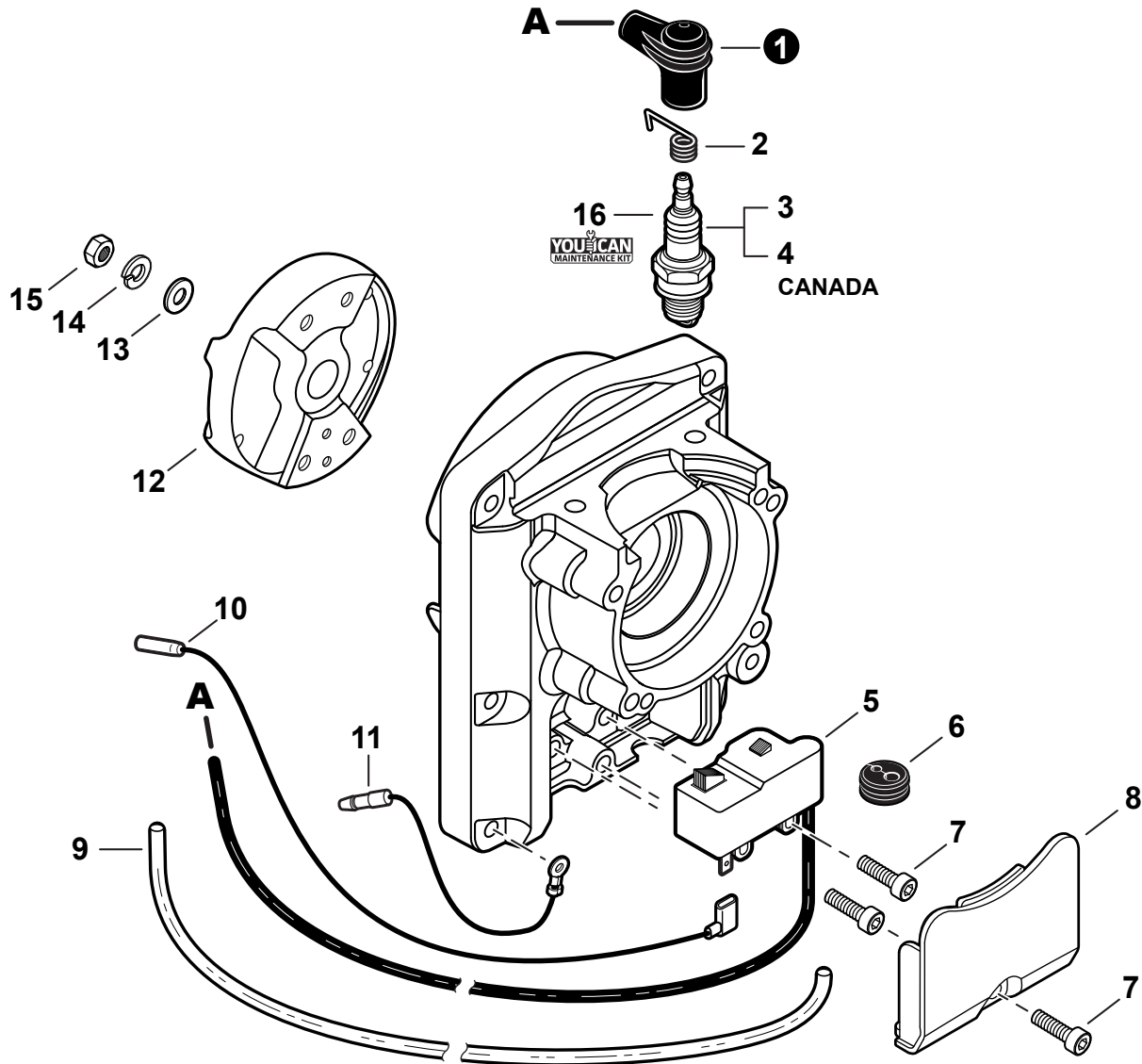
| NO. | PART NUMBER | QTY. | DESCRIPTION | DESCRIPCIÓN |
|-----|-------------|------|------------------------------|--|
| 1 | A021004331 | 1 | CARBURETOR WTA-35 | CARBURADOR WTA-35 |
| 2 | 12311003930 | 1 | +SCREW | +TORNILLO |
| 3 | P003005960 | 1 | +COVER, FUEL PUMP | +TAPA DE LA BOMBA DE COMBUSTIBLE |
| 4 | 12313304260 | 1 | +SPRING, IDLE ADJUST | +RESORTE PARA AJUSTAR EL RALENTÍ |
| 5 | P003001400 | 1 | +SCREW, IDLE ADJUST | +TORNILLO PARA AJUSTAR EL RALENTI |
| 6 | P003005530 | 1 | +SHAFT, THROTTLE | +EJE DEL ACELERADOR |
| 7 | P003003890 | 1 | +SPRING | +RESORTE |
| 8 | 12312715030 | 1 | +E-RING | +RETENEDOR TIPO "E" |
| 9 | P003003910 | 1 | +LEVER, THROTTLE | +PALANCA DE ACELERADOR |
| 10 | 12311438830 | 2 | +SCREW | +TORNILLO |
| 11 | 12311610530 | 1 | +VALVE, THROTTLE | +VÁLVULA DEL ACELERADOR |
| 12 | 12314610631 | 1 | +PLUG, WELCH | +TAPÓN WELCH |
| 13 | 12312203660 | 1 | +SPRING, METERING LEVER | +RESORTE PALANCA DE MEDICIÓN |
| 14 | P003005400 | 1 | +SCREW | +TORNILLO |
| 15 | P003005880 | 2 | +NEEDLE, MIXTURE | +AGUJA DE REGULACION |
| 16 | 12318046130 | 1 | +BODY ASSY, PURGE | +MONTAJE DE CUERPO DE PURGA |
| 17 | 12318140630 | 1 | +BULB, PURGE | +BULBO DE PURGA |
| 18 | 12314205560 | 1 | +RETAINER, PURGE BULB | +RETENEDOR DE BULBO DE PURGA |
| 19 | 12314402960 | 4 | +SCREW | +TORNILLO |
| 20 | P033000080 | 1 | +REPAIR KIT, CARBURETOR | +JUEGO DE REPARACIÓN DE CARBURADOR |
| 21 | | 1 | ++GASKET, FUEL PUMP | ++EMPAQUETADURA DE LA BOMBA DE COMBUSTIBLE |
| 22 | | 1 | ++DIAPHRAGM, PUMP | ++DIAFRAGMA DE LA BOMBA |
| 23 | | 1 | ++SCREEN, FUEL INLET | ++MALLA FILTRADORA |
| 24 | | 1 | ++VALVE, INLET NEEDLE | ++VÁLVULA REGULADORA |
| 25 | | 1 | ++LEVER, METERING | ++PALANCA DE MEDICIÓN |
| 26 | | 1 | ++PIN, METERING LEVER | ++PASADOR DE PALANCA DE MEDICIÓN |
| 27 | | 1 | ++GASKET, METERING DIAPHRAGM | ++EMPAQUETADURA DE DIAFRAGMA DE MEDICIÓN |
| 28 | | 1 | ++DIAPHRAGM, METERING | ++DIAFRAGMA DE MEDICIÓN |



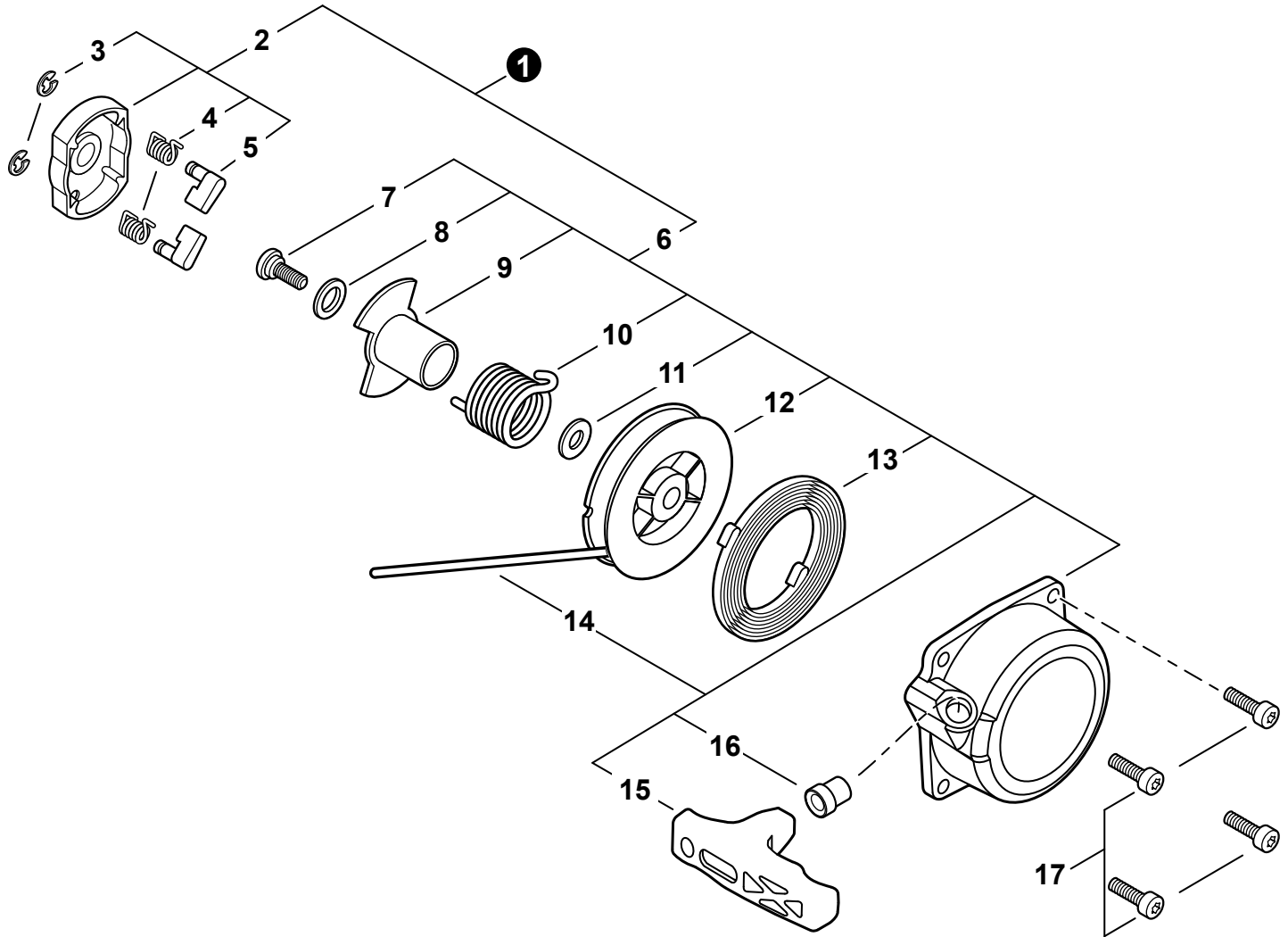
| NO. | PART NUMBER | QTY. | DESCRIPTION | DESCRIPCIÓN |
|-----|-------------|------|-----------------------|-----------------------------------|
| 1 | A235000380 | 2 | KNOB, FASTENER | PERILLA DE FIJACIÓN |
| 2 | A232001780 | 1 | COVER, AIR FILTER | CUBIERTA DEL FILTRO DE AIRE |
| 3 | A226000032 | 1 | FILTER, AIR | FILTRO DE AIRE |
| 4 | V805000430 | 2 | BOLT, TORX 5x60 | PERNO TORX 5x60 |
| 5 | A244000300 | 1 | PLATE, PREVENT | PLACA DE PREVENCIÓN |
| 6 | P021047960 | 1 | CASE, AIR FILTER | CAJA DEL FILTRO DE AIRE |
| 7 | V103001790 | 1 | GASKET, INTAKE | EMPAQUETADURA DE ADMISIÓN |
| 8 | V103001780 | 1 | GASKET, INTAKE | EMPAQUETADURA DE ADMISIÓN |
| 9 | V805000220 | 2 | BOLT, TORX 5x25 | PERNO TORX 5x25 |
| 10 | A200001180 | 1 | INSULATOR, INTAKE | AISLADOR DE ADMISIÓN |
| 11 | V103001770 | 1 | HEAT SHIELD, INTAKE | PROTECTOR TÉRMICO DEL ADMISIÓN |
| 12 | 90156Y | 1 | TUNE-UP KIT - YOUCAN™ | JUEGO DE PUESTA A PUNTO - YOUCAN™ |



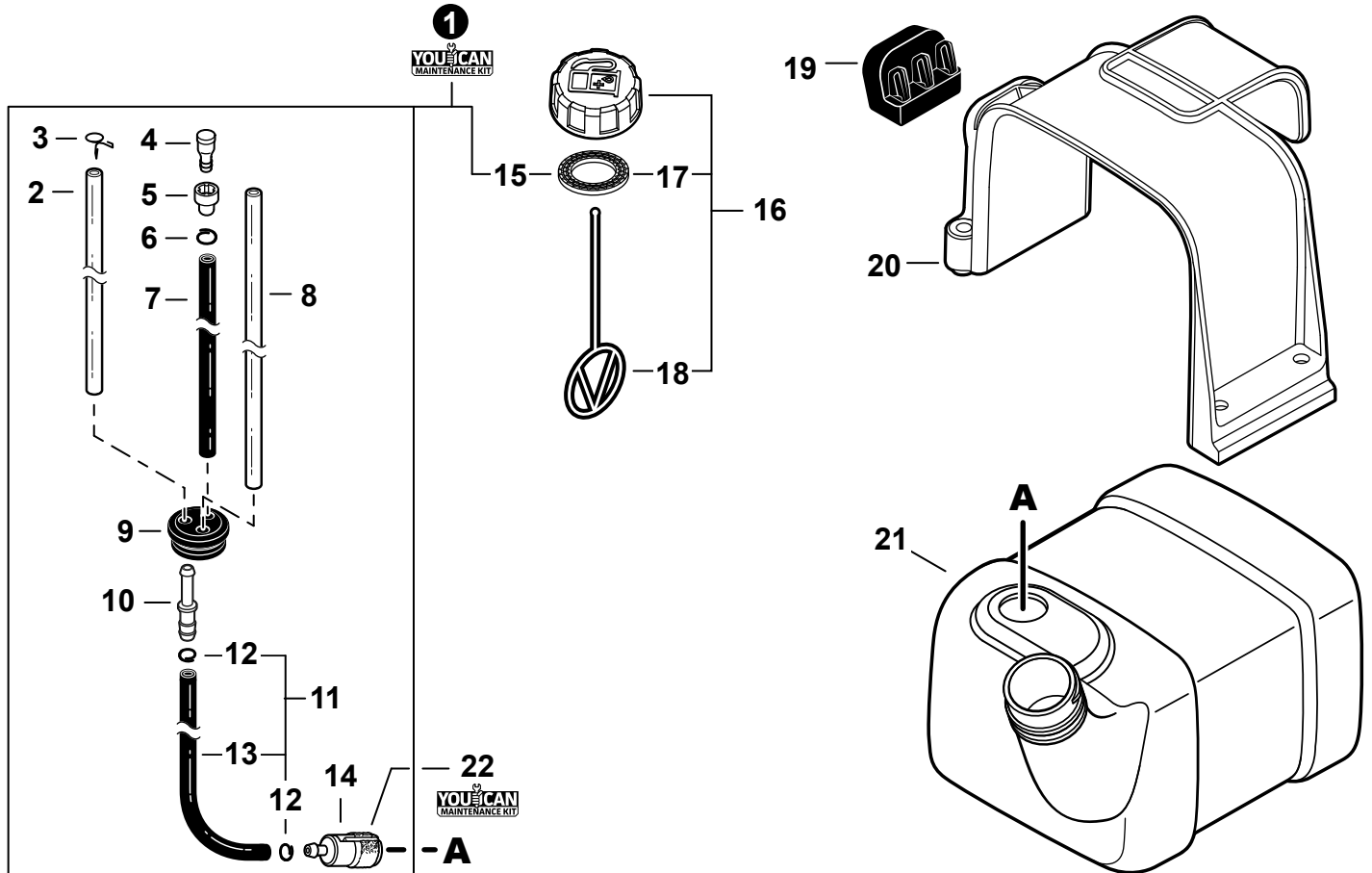
| NO. | PART NUMBER | QTY. | DESCRIPTION | DESCRIPCIÓN |
|-----|-------------|------|-------------------------|------------------------------|
| 1 | P100007180 | 1 | MUFFLER ASSY | MONTAJE DE SILENCIADOR |
| 2 | 14586206720 | 1 | +SCREEN, SPARK ARRESTER | +SUPRESOR DE CHISPAS |
| 3 | V104002220 | 1 | +GASKET, EXHAUST | +EMPAQUETADURA DE ESCAPE |
| 4 | A313001630 | 1 | +GUIDE, EXHAUST | +GUÍA DE ESCAPE |
| 5 | V804000040 | 5 | +BOLT, TORX 4x10 | +PERNO TORX 4x10 |
| 6 | 90010506020 | 2 | BOLT 6x20 | PERNO 6x20 |
| 7 | V805000250 | 1 | BOLT, TORX 5x16 | PERNO TORX 5x16 |
| 8 | V104002280 | 1 | HEAT SHIELD, EXHAUST | PROTECTOR TÉRMICO DEL ESCAPE |



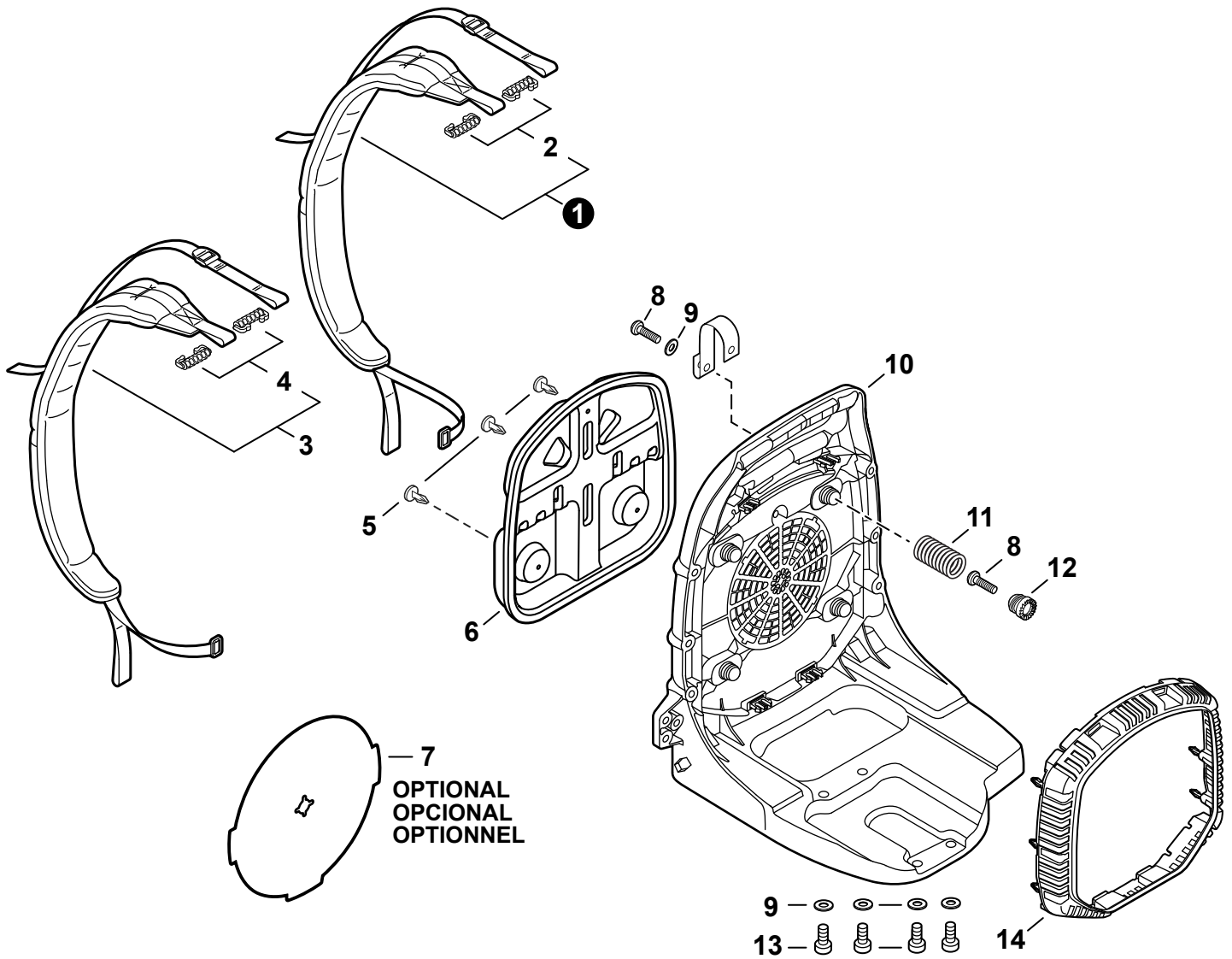
| NO. | PART NUMBER | QTY. | DESCRIPTION | DESCRIPCIÓN |
|-----|-------------|------|-----------------------|-----------------------------------|
| 1 | 15901203433 | 1 | CAP, SPARK PLUG | TAPA DE BUJÍA |
| 2 | 15901103432 | 1 | TERMINAL, SPARK PLUG | TERMINAL DE BUJÍA |
| 3 | 15901019830 | 1 | SPARK PLUG - BPM8Y | BUJÍA - BPM8Y |
| 4 | A425000000 | 1 | SPARK PLUG - BPMR8Y | BUJÍA - BPMR8Y |
| 5 | A411001621 | 1 | COIL, IGNITION | BOBINA DE ENCENDIDO |
| 6 | 15111204630 | 1 | GROMMET | OJAL |
| 7 | V805000250 | 3 | BOLT, TORX 5x16 | PERNO TORX 5x16 |
| 8 | A127000420 | 1 | COVER, DUST | CUBIERTA ANTIPOLVO |
| 9 | V475008320 | 1 | TUBE | TUBO |
| 10 | V485002780 | 1 | LEAD - IGNITION | CABLE DE ENCENDIDO |
| 11 | V485002770 | 1 | LEAD - GROUND | CABLE DE TIERRA |
| 12 | A409001270 | 1 | FLYWHEEL | VOLANTE |
| 13 | 90060200010 | 1 | WASHER M10 | ARANDELA M10 |
| 14 | 90060500010 | 1 | WASHER, SPRING 10 | ARANDELA DE PRESION 10 |
| 15 | 90050100010 | 1 | NUT 10 | TUERCA 10 |
| 16 | 90156Y | 1 | TUNE-UP KIT - YOUCAN™ | JUEGO DE PUESTA A PUNTO - YOUCAN™ |



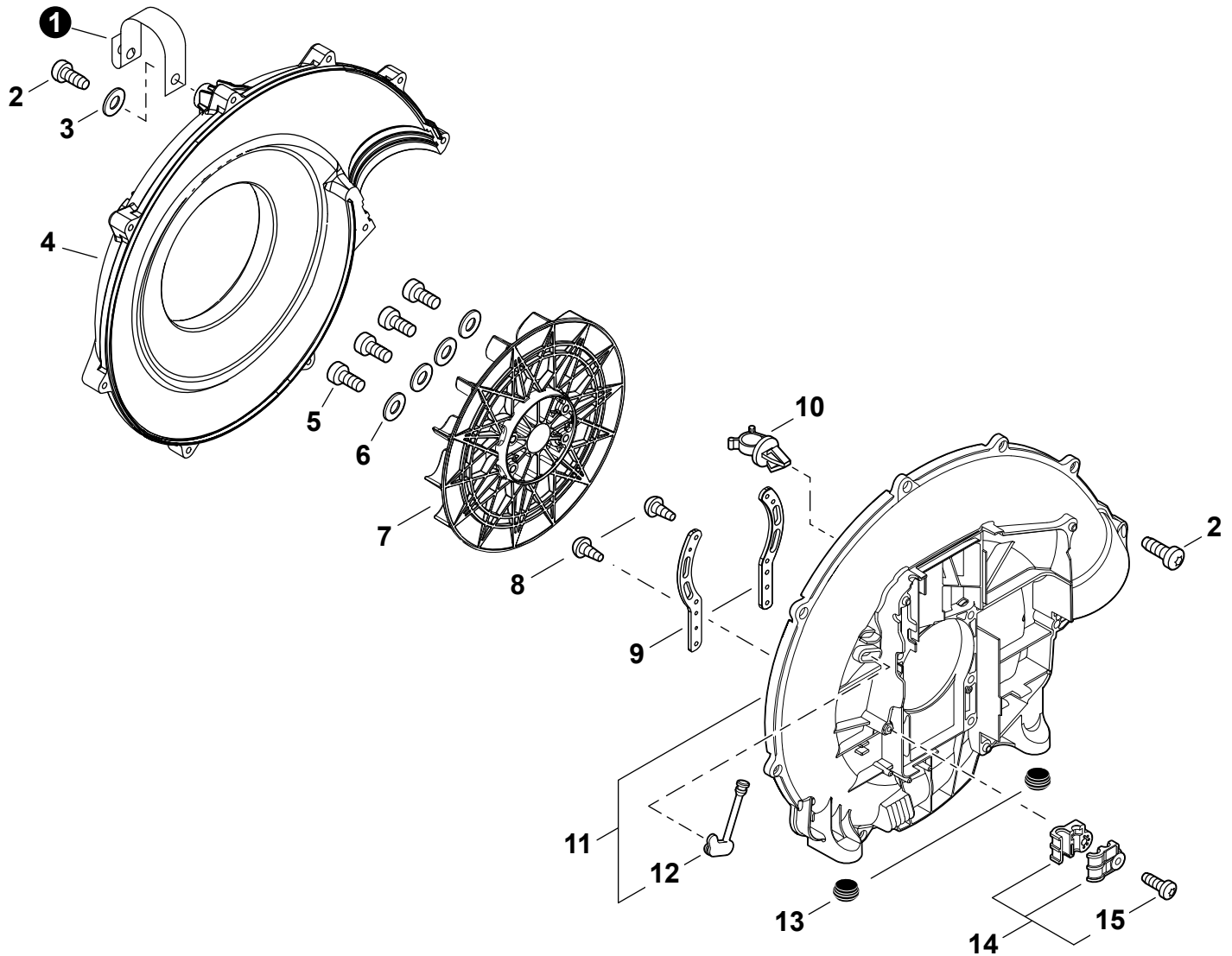
| NO. | PART NUMBER | QTY. | DESCRIPTION | DESCRIPCIÓN |
|-----|-------------|------|-----------------------|---------------------------------------|
| 1 | A050000340 | 1 | STARTER & PAWL SET | JEUGO DE ARRANCADOR Y TRINQUETE |
| 2 | A052000491 | 1 | +PAWL ASSY, STARTER | +MONTAJE DE TRINQUETE |
| 3 | P022002100 | 2 | ++E-RING 4 | ++RETENEDOR TIPO "E" 4 |
| 4 | 17723440630 | 2 | ++SPRING, RETURN | ++RESORTE DE RETORNO |
| 5 | P022036620 | 2 | ++PAWL, STARTER | ++TRINQUETE |
| 6 | A051002981 | 1 | +STARTER ASSY, RECOIL | +MONTAJE DE ARRANCADOR AUTORRETRÁCTIL |
| 7 | 17723661830 | 1 | ++SCREW | ++TORNILLO |
| 8 | | 1 | ++WASHER, THRUST | ++ARANDELA DE EMPUJE |
| 9 | P022010221 | 1 | ++PAWL CATCHER | ++RECEPTOR DE TRINQUETE |
| 10 | | 1 | ++SPRING | ++RESORTE |
| 11 | | 1 | ++WASHER | ++ARANDELA |
| 12 | | 1 | ++REEL, ROPE | ++CARRETE DE CUERDA |
| 13 | P022036640 | 1 | ++SPRING, SPIRAL | ++RESORTE ESPIRAL |
| 14 | | 1 | ++ROPE, STARTER | ++CUERDA DEL ARRANCADOR |
| 15 | | 1 | ++GRIP, STARTER | ++AGARRE DEL ARRANCADOR |
| 16 | 17722742030 | 1 | ++GUIDE, ROPE | ++GUÍA DE CUERDA |
| 17 | V805000160 | 4 | BOLT, TORX 5x20 | PERNO TORX 5x20 |



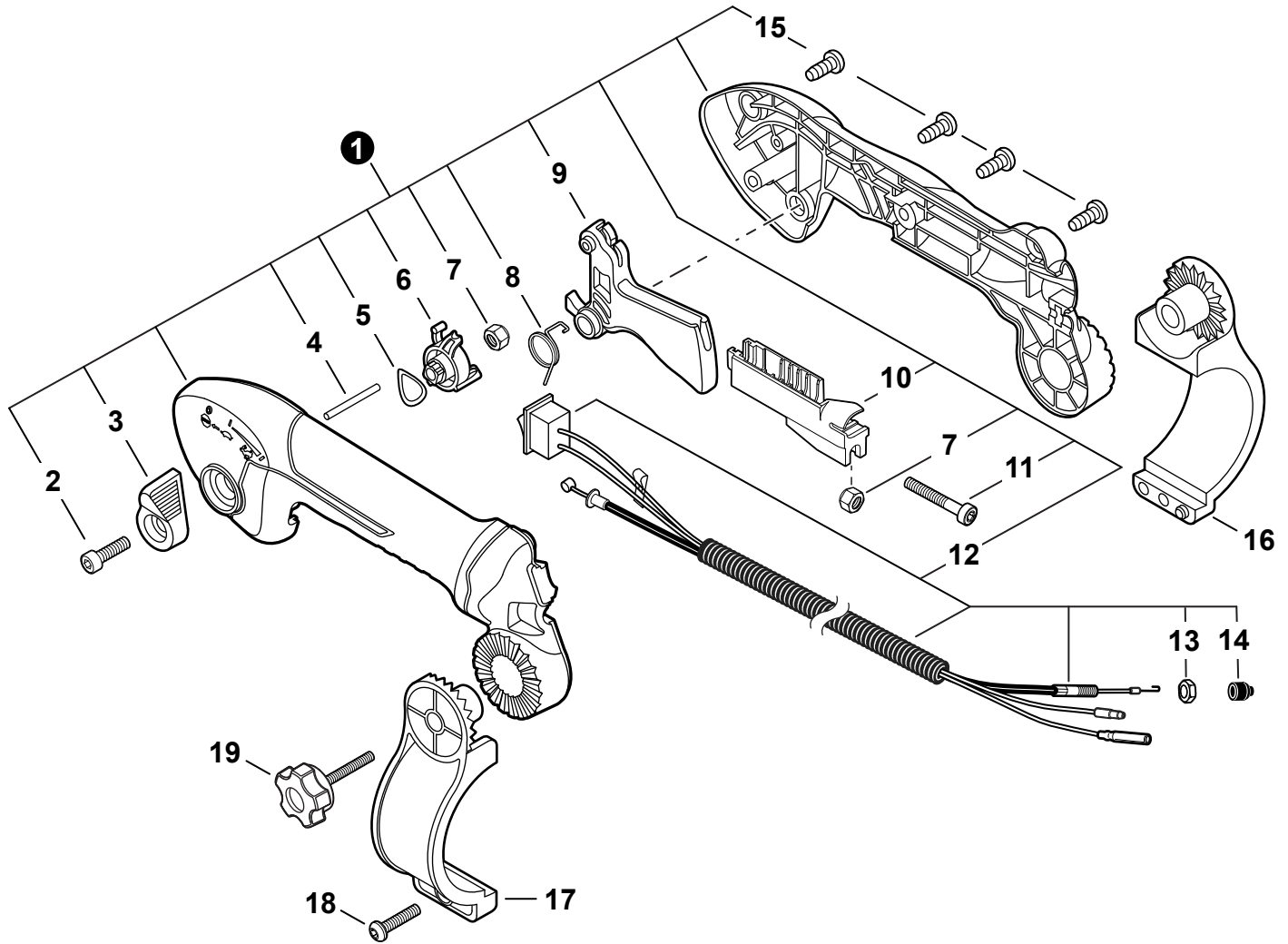
| NO. | PART NUMBER | QTY. | DESCRIPTION | DESCRIPCIÓN |
|-----|-------------|------|-----------------------------|---|
| 1 | 90158Y | 1 | FUEL SYSTEM KIT - YOUCAN | KIT DEL SISTEMA DE COMBUSTIBLE - YOUCAN |
| 2 | V471005720 | 1 | +PIPE, FUEL 3.5x6x205 CLEAR | +TUBO DE COMBUSTIBLE 3.5x6x205 TRANSPARENTE |
| 3 | V490000510 | 1 | +CLIP, SPRING 5.2 | +SUJETADOR DE RESORTE 5.2 |
| 4 | A356000031 | 1 | +VENT ASSY | +VÁLVULA DE RESPIRADERO |
| 5 | 13132840630 | 1 | +HOLDER, VENT | +SOPORTE DE RESPIRADERO |
| 6 | V490001230 | 1 | +CLIP 6.5 MM | +SUJETADOR 6.5 MM |
| 7 | V471004781 | 1 | +PIPE, FUEL 3x6x40 BLACK | +TUBO DE COMBUSTIBLE 3x6x40 NEGRO |
| 8 | V471004760 | 1 | +PIPE, FUEL 3x6x180 YELLOW | +TUBO DE COMBUSTIBLE 3x6x180 AMARILLO |
| 9 | 13211555931 | 1 | +GROMMET, FUEL | +OJAL DE COMBUSTIBLE |
| 10 | V186000520 | 1 | +CONNECTOR, PIPE 5x3.5 | +CONECTOR DE TUBO 5x3.5 |
| 11 | P021053940 | 1 | +KIT, FUEL PIPE, CLIPS | +TUBO DE COMBUSTIBLE Y KIT DE CLIP |
| 12 | V490001230 | 2 | ++CLIP 6.5 MM | ++SUJETADOR 6.5 MM |
| 13 | V471005820 | 1 | ++PIPE, FUEL 3x6x120 BLACK | ++TUBO DE COMBUSTIBLE 3x6x120 NEGRO |
| 14 | A369000440 | 1 | +FILTER, FUEL | +FILTRO DE COMBUSTIBLE |
| 15 | V107000210 | 1 | +GASKET, FUEL CAP | +EMPAQUETADURA DE TAPA DE COMBUSTIBLE |
| 16 | P100011640 | 1 | CAP ASSY, FUEL | MONTAJE DE TAPA DE COMBUSTIBLE |
| 17 | V107000210 | 1 | +GASKET, FUEL CAP | +EMPAQUETADURA DE TAPA DE COMBUSTIBLE |
| 18 | 13105156030 | 1 | +CONNECTOR, CAP L= 100 MM | +CONECTOR DE TAPA L= 100 MM |
| 19 | V420004620 | 1 | CUSHION | AMORTIGUADOR |
| 20 | A392000390 | 1 | RETAINER, FUEL TANK | RETENEDOR DE TANQUE DE COMBUSTIBLE |
| 21 | A350002531 | 1 | TANK, FUEL | TANQUE DE COMBUSTIBLE |
| 22 | 90156Y | 1 | TUNE-UP KIT - YOUCAN™ | JUEGO DE PUESTA A PUNTO - YOUCAN™ |



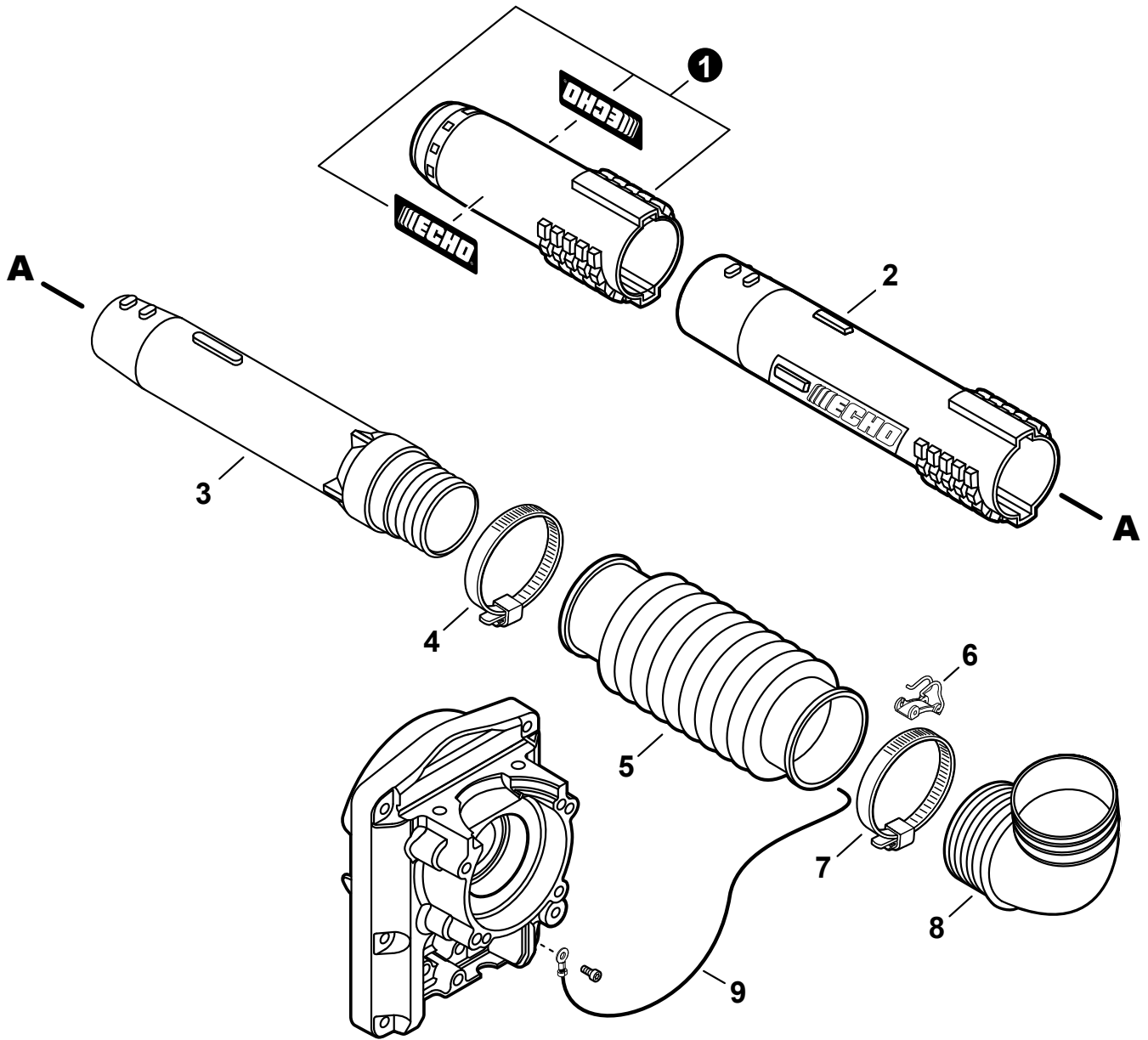
| NO. | PART NUMBER | QTY. | DESCRIPTION | DESCRIPCIÓN |
|-----|-------------|------|----------------------|----------------------------|
| 1 | P021048261 | 1 | HARNESS ASSY, RIGHT | MONTAJE DE ARNÉS DERECHA |
| 2 | V491000480 | 2 | +CLIP | +SUJETADOR |
| 3 | P021048251 | 1 | HARNESS ASSY, LEFT | MONTAJE DE ARNÉS IZQUIERDA |
| 4 | V491000480 | 2 | +CLIP | +SUJETADOR |
| 5 | V491000090 | 3 | CLIP | SUJETADOR |
| 6 | C630000190 | 1 | CUSHION, BACKPACK | AMORTIGUADOR DE MOCHILA |
| 7 | C635000000 | 1 | INSERT, COLD WEATHER | SEPARADOR PARA CLIMA FRIO |
| 8 | V805000010 | 5 | BOLT, TORX 5x20 | PERNO TORX 5x20 |
| 9 | 61301907350 | 5 | WASHER 5.5x16x2T | ARANDELA 5.5x16x2T |
| 10 | C620000480 | 1 | FRAME, BACKPACK | ARMAZÓN DE MOCHILA |
| 11 | V450000780 | 4 | SPRING, COMPRESSION | RESORTE DE COMPRESIÓN |
| 12 | V456000331 | 4 | HOLDER, SPRING | RETENEDOR DE RESORTE |
| 13 | V805000160 | 4 | BOLT, TORX 5x20 | PERNO TORX 5x20 |
| 14 | E104000250 | 1 | GUARD, DEBRIS | PROTECTOR CONTRA RESIDUOS |



| NO. | PART NUMBER | QTY. | DESCRIPTION | DESCRIPCIÓN |
|-----|-------------------|------|-------------------------|------------------------------------|
| 1 | C617000730 | 1 | STRAP, SAFETY 1.2x100 | CINTA DE SEGURIDAD 1.2x100 |
| 2 | V805000010 | 9 | BOLT, TORX 5x20 | PERNO TORX 5x20 |
| 3 | 61301907350 | 1 | WASHER 5.5x16x2T | ARANDELA 5.5x16x2T |
| 4 | E103001302 | 1 | COVER, FAN | CUBIERTA DE VENTILADOR |
| 5 | V805000180 | 4 | BOLT, TORX 5x30 | PERNO TORX 5x30 |
| 6 | 61301907350 | 4 | WASHER 5.5x16x2T | ARANDELA 5.5x16x2T |
| 7 | E100000270 | 1 | FAN, BLOWER | VENTILADOR DE LA SOPLADOR |
| 8 | 90024603012 | 2 | SCREW, TAPPING 3x12 | TORNILLO ROSCADO 3x12 |
| 9 | C632000250 | 2 | BRACKET, ENGINE | SOPORTE DEL MOTOR |
| 10 | V491000110 | 1 | CLIP, CABLE | SUJETADOR DE CABLE |
| 11 | P021048180 | 1 | CASE SET, FAN | JUEGO DE CAJA DE VENTILADOR |
| 12 | V144000670 | 1 | +GROMMET | +OJAL |
| 13 | V420000910 | 2 | CUSHION | AMORTIGUADOR |
| 14 | P021048170 | 1 | CABLE HOLDER SET | JUEGO DE SUJETADOR DE CABLE |
| 15 | V805000230 | 1 | +BOLT, TORX 5x25 | +PERNO TORX 5x25 |



| NO. | PART NUMBER | QTY. | DESCRIPTION | DESCRIPCIÓN |
|-----|-------------|------|-----------------------------------|---|
| 1 | P021052251 | 1 | THROTTLE CONTROL KIT - TUBE MOUNT | JUEGO DE CONTROL DE ACELERADOR SUJETO AL TUBO |
| 2 | V805000160 | 1 | +BOLT, TORX 5x20 | +PERNO TORX 5x20 |
| 3 | C453000560 | 1 | +LEVER, THROTTLE | +PALANCA DE ACELERADOR |
| 4 | V621000040 | 1 | +PIN 3x32 | +PASADOR 3x32 |
| 5 | 42975201850 | 1 | +WASHER, WAVE 12 | +ARANDELA DE PRESION 12 |
| 6 | C453000580 | 1 | +CONTROL, THROTTLE | +CONTROL DE ACELERADOR |
| 7 | 90056250005 | 2 | +NUT, LOCK M5 | +CONTRATUERCA M5 |
| 8 | V452001630 | 1 | +SPRING, TORSION | +RESORTE DE TORSIÓN |
| 9 | C450000921 | 1 | +TRIGGER, THROTTLE | +GATILLO DEL ACELERADOR |
| 10 | C482000101 | 1 | +CONNECTOR, CABLE | +CONECTOR DE CABLE |
| 11 | V805000050 | 1 | +BOLT, TORX 5x30 | +PERNO TORX 5x30 |
| 12 | V043001191 | 1 | +CABLE ASSY, CONTROL | +MONTAJE DE CABLE PARA CONTROL |
| 13 | 90050000006 | 1 | ++NUT, HEX M6 | ++TUERCA HEXAGONAL 6M |
| 14 | V494000080 | 1 | ++CAP, DUST | ++TAPA ANTIPOLVO |
| 15 | V805000000 | 4 | +BOLT, TORX 5x16 | +PERNO TORX 5x16 |
| 16 | C405000241 | 1 | BRACKET, HANDLE - RIGHT | SOPORTE, MANGO - DERECHO |
| 17 | C405000231 | 1 | BRACKET, HANDLE - LEFT | SOPORTE, MANGO - IZQUIERDA |
| 18 | V805000010 | 1 | BOLT, TORX 5x20 | PERNO TORX 5x20 |
| 19 | V299000630 | 1 | KNOB, SCREW | PERILLA TIPO TORNILLO |



| NO. | PART NUMBER | QTY. | DESCRIPTION | DESCRIPCIÓN |
|-----|-------------|------|--------------------------------|--------------------------------------|
| 1 | P021049080 | 1 | TUBE SET, BLOWER - NOZZLE | JUEGO DE TUBO DE SOPLADOR - BOQUILLA |
| 2 | E165000141 | 1 | TUBE, BLOWER - STRAIGHT | TUBO DE SOPLADOR - RECTO |
| 3 | E165000800 | 1 | TUBE, BLOWER - SWIVEL | TUBO DE SOPLADOR - GIRATORIO |
| 4 | V495000430 | 1 | CLAMP - BAND 58.7 MM / 82.5 MM | ABRAZADERA - BANDA 58.7 MM / 82.5 MM |
| 5 | E164000080 | 1 | TUBE, BLOWER - FLEXIBLE | TUBO DE SOPLADOR - FLEXIBLE |
| 6 | C487000420 | 1 | CLIP, CABLE | SUJETADOR DE CABLE |
| 7 | V495003870 | 1 | CLAMP - BAND 78 MM / 103 MM | ABRAZADERA - BANDA 78 MM / 103 MM |
| 8 | E160000131 | 1 | TUBE, BLOWER - ELBOW | TUBO DE SOPLADOR - CODO |
| 9 | V485002181 | 1 | WIRE, STATIC DISCHARGE | PROTECCION DE ELECTRICIDAD ESTÁTICA |



| NO. | PART NUMBER | QTY. | DESCRIPTION | DESCRIPCIÓN |
|-----|-------------|------|-----------------------------|-----------------------------------|
| 1 | X532005130 | 1 | LABEL - SPARK PLUG - BPM8Y | ETIQUETA DE BUJÍA BPM8Y |
| 2 | X532004970 | 1 | LABEL - SPARK PLUG - BPMR8Y | ETIQUETA DE BUJÍA BPMR8Y |
| 3 | X503013240 | 1 | LABEL - MODEL - PB-580T | ETIQUETA MODELO - PB-580T |
| 4 | 89011804262 | 2 | LABEL - ECHO | ETIQUETA ECHO |
| 5 | X505010790 | 1 | LABEL - CAUTION - ISO | ETIQUETA DE PRECAUCIÓN - ISO |
| 6 | X505007910 | 1 | LABEL - CAUTION - BLOWER | ETIQUETA DE PRECAUCIÓN - SOPLADOR |
| 7 | X502000410 | 1 | LABEL - STARTER - ECHO | ETIQUETA DE ARRANCADOR ECHO |

| NO. | PART NUMBER | QTY. | DESCRIPTION | DESCRIPCIÓN |
|-----|-------------|------|-----------------------------|---|
| 1 | 90156Y | 1 | TUNE-UP KIT - YOUCAN™ | JUEGO DE PUESTA A PUNTO - YOUCAN™ |
| 2 | A226000032 | 1 | +FILTER, AIR | +FILTRO DE AIRE |
| 3 | A369000440 | 1 | +FILTER, FUEL | +FILTRO DE COMBUSTIBLE |
| 4 | A425000000 | 1 | +SPARK PLUG - BPMR8Y | +BUJÍA - BPMR8Y |
| 5 | 90158Y | 1 | FUEL SYSTEM KIT - YOUCAN | KIT DEL SISTEMA DE COMBUSTIBLE - YOUCAN |
| 6 | V471005720 | 1 | +PIPE, FUEL 3.5x6x205 CLEAR | +TUBO DE COMBUSTIBLE 3.5x6x205 TRANSPARENTE |
| 7 | V490000510 | 1 | +CLIP, SPRING 5.2 | +SUJETADOR DE RESORTE 5.2 |
| 8 | A356000031 | 1 | +VENT ASSY | +VÁLVULA DE RESPIRADERO |
| 9 | 13132840630 | 1 | +HOLDER, VENT | +SOPORTE DE RESPIRADERO |
| 10 | V490001230 | 1 | +CLIP 6.5 MM | +SUJETADOR 6.5 MM |
| 11 | V471004781 | 1 | +PIPE, FUEL 3x6x40 BLACK | +TUBO DE COMBUSTIBLE 3x6x40 NEGRO |
| 12 | V471004760 | 1 | +PIPE, FUEL 3x6x180 YELLOW | +TUBO DE COMBUSTIBLE 3x6x180 AMARILLO |
| 13 | 13211555931 | 1 | +GROMMET, FUEL | +OJAL DE COMBUSTIBLE |
| 14 | V186000520 | 1 | +CONNECTOR, PIPE 5x3.5 | +CONECTOR DE TUBO 5x3.5 |
| 15 | P021053940 | 1 | +KIT, FUEL PIPE, CLIPS | +TUBO DE COMBUSTIBLE Y KIT DE CLIP |
| 16 | V490001230 | 2 | ++CLIP 6.5 MM | ++SUJETADOR 6.5 MM |
| 17 | V471005820 | 1 | ++PIPE, FUEL 3x6x120 BLACK | ++TUBO DE COMBUSTIBLE 3x6x120 NEGRO |
| 18 | A369000440 | 1 | +FILTER, FUEL | +FILTRO DE COMBUSTIBLE |
| 19 | V107000210 | 1 | +GASKET, FUEL CAP | +EMPAQUETADURA DE TAPA DE COMBUSTIBLE |
| 20 | 12318140630 | 1 | +BULB, PURGE | +BULBO DE PURGA |

Bulk Pipe

Tubo al por mayor

| NO. | PART NUMBER | QTY. | DESCRIPTION | DESCRIPCIÓN |
|-----|-------------|------|---|--|
| 1 | 90014 | 1 | BULK PIPE - 3x5 MM BLACK (4 PIECESx2 M) | TUBO AL POR MAYOR 3x5 MM NEGRO (4 PIEZASx2 M) |
| 2 | 90015 | 1 | BULK PIPE - 3x6 MM BLACK (4 PIECESx2 M) | TUBO AL POR MAYOR 3x6 MM NEGRO (4 PIEZASx2 M) |
| 3 | 90016 | 1 | BULK PIPE - 3x7 MM BLACK (4 PIECESx2 M) | TUBO AL POR MAYOR 3x7 MM NEGRO (4 PIEZASx2 M) |
| 4 | 90017 | 1 | BULK PIPE - 3x6 MM CLEAR (4 PIECESx2 M) | TUBO AL POR MAYOR 3x6 MM TRANSPARENTE (4 PIEZASx2 M) |
| 5 | 90018 | 1 | BULK PIPE - 2x4 MM CLEAR (4 PIECESx2 M) | TUBO AL POR MAYOR 2x4 MM TRANSPARENTE (4 PIEZASx2 M) |

Bulk Starter Rope

Cuerda del arrancador al por mayor

| NO. | PART NUMBER | QTY. | DESCRIPTION | DESCRIPCIÓN |
|-----|-------------|------|---------------------------------|--|
| 1 | 99944435000 | 1 | BULK STARTER ROPE - 2.3 MMx61 M | CUERDA DEL ARRANCADOR AL POR MAYOR 2.3 MMx61 M |
| 2 | 99944440000 | 1 | BULK STARTER ROPE - 3.0 MMx61 M | CUERDA DEL ARRANCADOR AL POR MAYOR 3.0 MMx61 M |
| 3 | 99944445000 | 1 | BULK STARTER ROPE - 3.5 MMx61 M | CUERDA DEL ARRANCADOR AL POR MAYOR 3.5 MMx61 M |
| 4 | 99944450000 | 1 | BULK STARTER ROPE - 4.0 MMx61 M | CUERDA DEL ARRANCADOR AL POR MAYOR 4.0 MMx61 M |
| 5 | 99944455000 | 1 | BULK STARTER ROPE - 4.4 MMx61 M | CUERDA DEL ARRANCADOR AL POR MAYOR 4.4 MMx61 M |
| 6 | 99944460000 | 1 | BULK STARTER ROPE - 4.8 MMx61 M | CUERDA DEL ARRANCADOR AL POR MAYOR 4.8 MMx61 M |