



OPTIONAL ATTACHMENTS & ACCESSORIES

Accessories

103942147	CS Carry Bag
89850308032	Bar & Chain Cover - 17"
89850308033	Bar & Chain Cover - 20"
99988800308	CS Lanyard Strap w_Ring
99988801205	CS Fixed Nose Case

Guide Bars

16D0PS3860	Guide Bar - 16" (.050" Ga) -- PowerMatch
20D0PS3870	Guide Bar - 20" (.050" Ga) -- PowerMatch
24D0PS3881	Guide Bar - 24" (.050" Ga) -- PowerMatch
27D0PS3893	Guide Bar - 27" (.050" Ga) -- PowerMatch

Sawing Chains

72V60G	Sawing Chain - 16" (.050" Ga) -- Vanguard
72V70G	Sawing Chain - 20" (.050" Ga) -- Vanguard
72V81G	Sawing Chain - 24" (.050" Ga) -- Vanguard
72V93G	Sawing Chain - 27" (.050" Ga) -- Vanguard

PARTS CATALOG

CS-670 Chain Saw

66.7cc

SERIAL NUMBERS

S/N C15103001001 - C15103999999

ECHO, INCORPORATED

400 Oakwood Road Lake Zurich, Illinois 60047 USA

WWW.ECHO-USA.COM



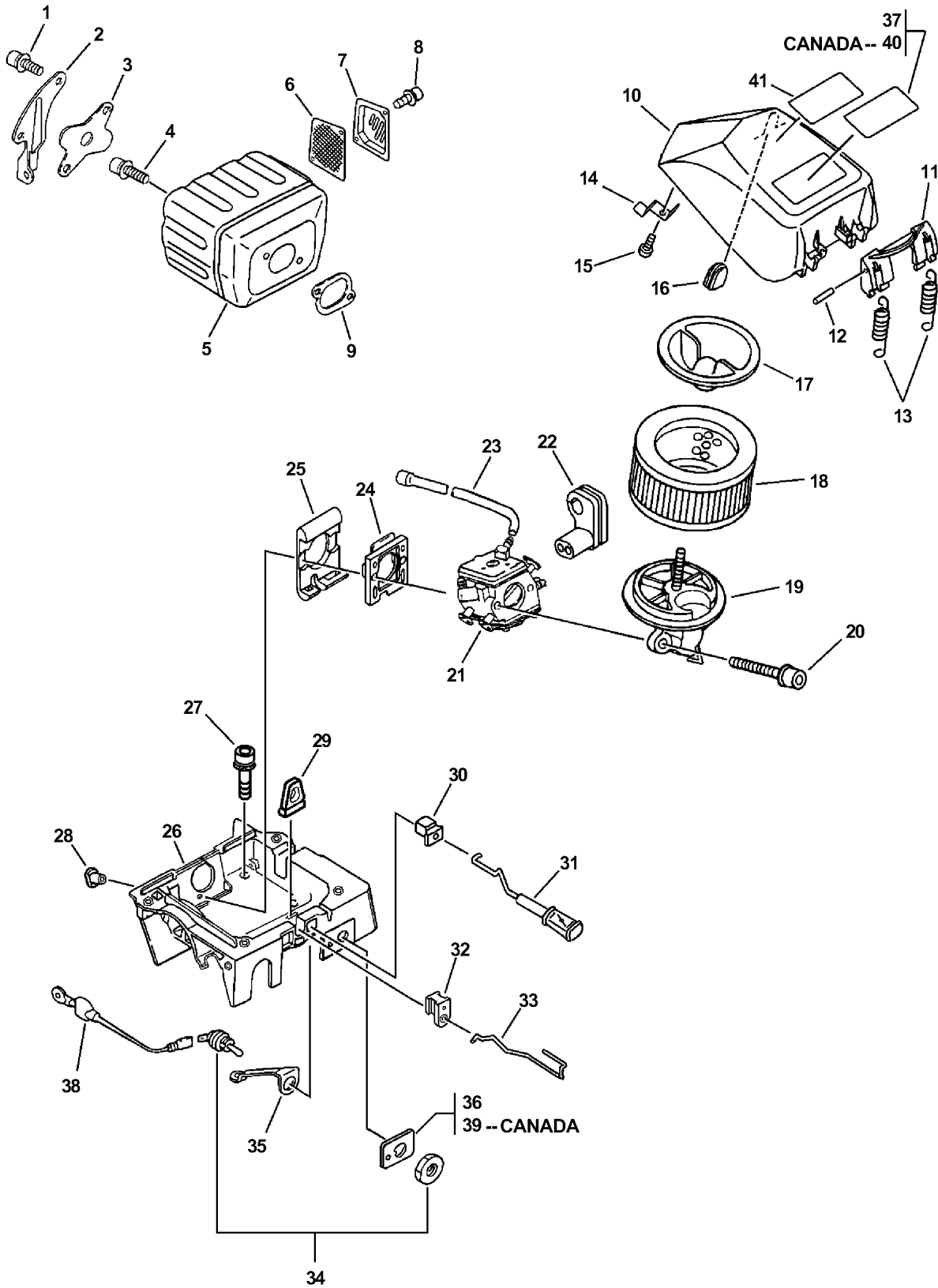
Table of Contents

Click Any Diagram Description Below To View That Diagram.

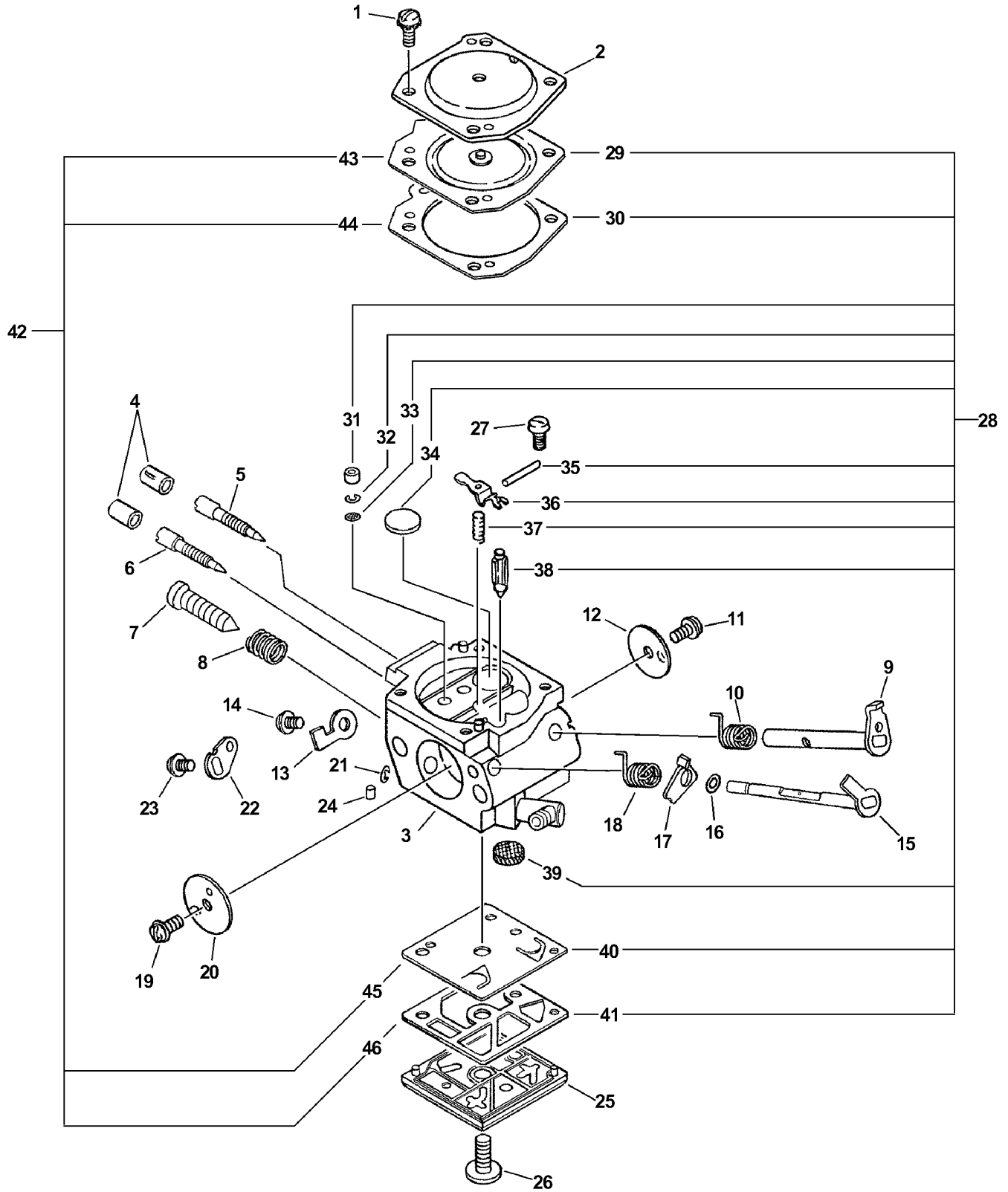
CS-670 S/N C15103001001 - C15103999999

Intake, Exhaust.....	4
Carburetor -- HD-203.....	6
Ignition, Starter, Flywheel.....	8
Chain Brake Assembly, Guide Bar, Chain.....	10
Clutch.....	12
Auto-Oiler.....	14
Handle, Trigger.....	16
Engine, Crankcase, Cylinder Cover.....	18
Part Number Index.....	20
Part Description Index.....	21

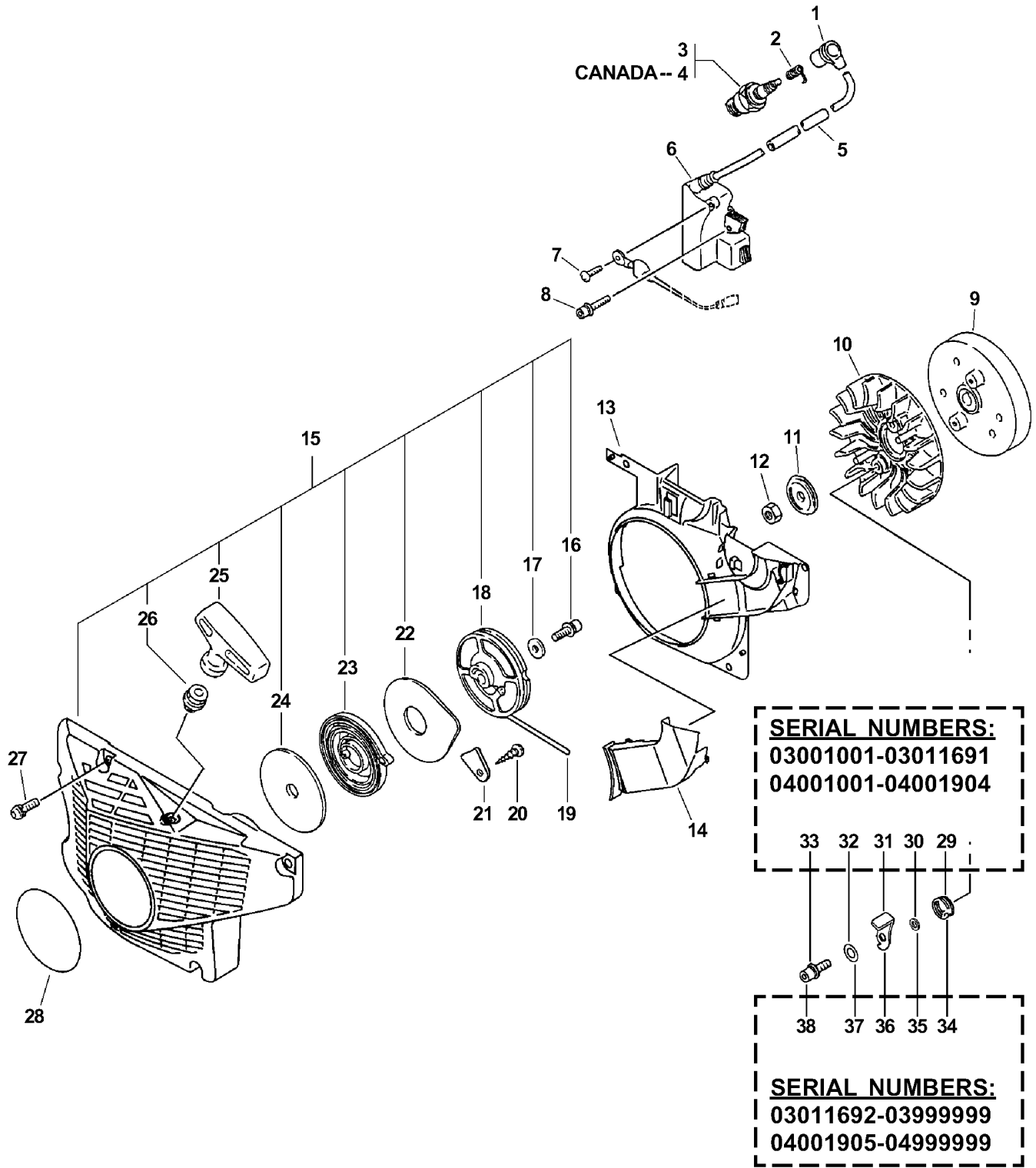
This Page Intentionally Left Blank



ITEM	PART NUMBER	QTY	DESCRIPTION	REMARKS
1	90016205014	2	SCREW 5X14	
2	14571132430	1	BRACKET, MUFFLER	
3	14581331730	1	COVER, MUFFLER	
4	90016205020	2	SCREW 5X20	
5	14561032430	1	MUFFLER	
6	14586232630	1	SCREEN, MUFFLER	
7	A313000280	1	GUIDE, EXHAUST	
8	90016204010	2	SCREW 4X10	
9	14551032431	1	GASKET, MUFFLER	
10	A232000070	1	LID, AIR CLEANER	
11	A235000050	1	LATCH, AIR CLEANER LID	
12	90033030120	4	PIN	
13	V451000190	2	SPRING, TENSION	
14	V453000040	2	SPRING, FLAT	
15	90025304010	2	SCREW 4X10	
16	13033832430	1	PLUG, COVER	
17	A238000030	1	HOLDER, ELEMENT	
18	A226000070	1	FILTER, AIR	
19	A204000020	1	ELBOW, CARBURETOR	
20	9110705050	2	BOLT, FLANGE	
21	A021000290	1	CARBURETOR -- HD-203	
22	V131000000	1	GROMMET, NEEDLE	
23	13011019830	1	PIPE, IMPULSE	
24	P021002800	1	INSULATOR, INTAKE	
25	V420000320	1	CUSHION	
26	P021014560	1	CASE, CARBURETOR	
27	90016205020	4	SCREW 5X20	
28	13002033330	1	NUT	
29	V420000540	1	CUSHION	
30	17881033331	1	GROMMET, CHOKE	
31	A241000030	1	ROD, CHOKE	
32	17811432630	1	HOLDER, THROTTLE LEVER	
33	C454000060	1	ROD, THROTTLE	
34	16340032430	1	SWITCH,IGNITION	
35	15663532430	1	LUG, GROUND	
36	89015719830	1	LABEL, SWITCH	
37	X503002470	1	LABEL - MODEL -- CS-670	
38	16202132430	1	LEAD	
39	89015731730	1	LABEL, SWITCH	
40	X503002460	1	LABEL - MODEL -- CS-670	
41	89032439630	1	LABEL, CAUTION	



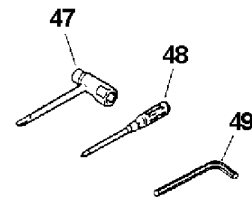
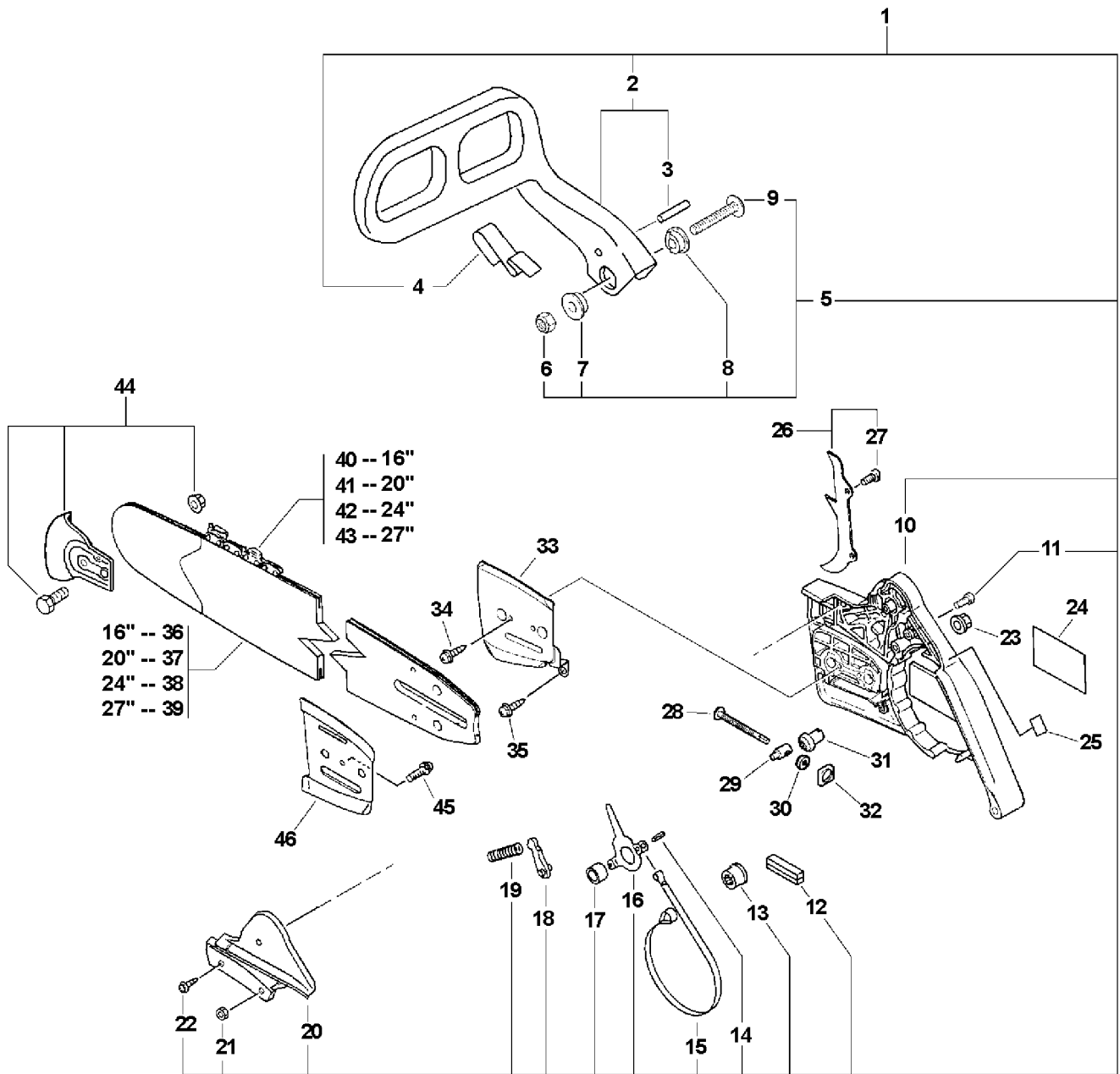
ITEM	PART NUMBER	QTY	DESCRIPTION	REMARKS
	A021000290	1	CARBURETOR -- HD-203	
1	12313002960	4	SCREW, METERING DIAPHRAGM COVER	
2	12314217330	1	COVER, METERING DIAPHRAGM	
3	-----	1	BODY, CARBURETOR -- NOT AVAILABLE SEPARATELY	
4	P003000010	2	CAP, MIXTURE LIMITER	
5	12311802261	1	NEEDLE - LOW SPEED	
6	12312032631	1	NEEDLE - HIGH SPEED	
7	12313419730	1	SCREW, IDLE ADJUST	
8	P003000540	1	SPRING, IDLE ADJUST	
9	P003000550	1	SHAFT, THROTTLE	
10	P003000560	1	SPRING, THROTTLE RETURN	
11	12311405260	1	SCREW	
12	12313216130	1	VALVE, THROTTLE	
13	12315630830	1	STOP, THROTTLE	
14	12311403930	1	SCREW, THROTTLE STOP	
15	P003000600	1	SHAFT, CHOKE	
16	12314926030	1	WASHER	
17	P003000620	1	LEVER, FAST IDLE	
18	P003000610	1	SPRING, CHOKE RETURN	
19	12311403930	1	SCREW, CHOKE VALVE	
20	12313232430	1	VALVE, CHOKE	
21	12312715030	1	CIRCLIP	
22	P003000590	1	LEVER, CHOKE	
23	12311403930	1	SCREW, CHOKE LEVER	
24	12317815030	1	PLUG, FRICTION	
25	12312419830	1	COVER, FUEL PUMP	
26	12311016130	1	SCREW, PUMP COVER	
27	-----	1	SCREW, METERING LEVER PIN	
28	P003000030	1	REPAIR KIT	INCLUDES ITEMS 29-41
29	-----	1	DIAPHRAGM, METERING	
30	-----	1	GASKET, METERING DIAPHRAGM	
31	-----	1	PLUG, CUP	
32	-----	1	RING, RETAINING	
33	-----	1	SCREEN	
34	-----	1	PLUG, WELCH	
35	-----	1	PIN, METERING LEVER	
36	-----	1	LEVER, METERING	
37	-----	1	SPRING, METERING LEVER	
38	-----	1	VALVE, INLET NEEDLE	
39	-----	1	SCREEN, INLET	
40	-----	1	DIAPHRAGM, FUEL PUMP	
41	-----	1	GASKET, FUEL PUMP	
42	P003000040	1	DIAPHRAGM/GASKET KIT	INCLUDES ITEMS 43-46
43	-----	1	DIAPHRAGM, METERING	
44	-----	1	GASKET, METERING DIAPHRAGM	
45	-----	1	DIAPHRAGM, FUEL PUMP	
46	-----	1	GASKET, FUEL PUMP	



ITEM	PART NUMBER	QTY	DESCRIPTION	REMARKS
1	A427000010	1	CAP, SPARK PLUG	
2	A426000010	1	TERMINAL, SPARK PLUG CAP	
3	15901716431	1	SPARK PLUG -- CJ-6Y	
4	15901010230	1	SPARK PLUG -- BPMR-7A	
5	15061132430	1	TUBE	
6	15660132631	1	COIL, IGNITION	
7	90024204008	1	SCREW	
8	90016204020	2	SCREW 4X20	
9	15680032631	1	FLYWHEEL	
10	10152132330	1	FAN, COOLING	
11	10014319830	1	WASHER	
12	90050000008	1	NUT 8	
13	A172000130	1	COVER, FAN	
14	A161000020	1	DUCT, AIR	
15	P021002811	1	STARTER ASY	INCLUDES ITEMS 16-26
16	90016205014	1	SCREW 5X14	
17	90060300005	1	WASHER 5	
18	17721532330	1	DRUM, STARTER	
19	17722607060	1	ROPE, STARTER - 4mmX900mm ¹	REPOWER BULK OPTION: 99944450000
20	90025304008	1	SCREW 4X8	
21	43314415130	1	RETAINER, BRAKE BAND	
22	17722107060	1	PLATE, STARTER	
23	17722002834	1	SPRING, REWIND	
24	17722102830	1	PLATE, STARTER	
25	17722830830	1	GRIP, STARTER	
26	17722707060	1	GUIDE, ROPE	
27	90016205020	4	SCREW 5X20	
28	89011817930	1	LABEL, ECHO	
29	17723419830	2	SPRING, RETURN ²	
30	17724719830	2	SPACER, RATCHET ²	
31	17721832630	2	PAWL, STARTER ²	
32	90060300005	2	WASHER 5 ²	
33	90016205014	2	SCREW 5X14 ²	
34	17723419832	2	SPRING, RETURN ³	
35	V353000191	2	SPACER, RATCHET ³	
36	17721832631	2	PAWL, STARTER ³	
37	90060300005	2	WASHER 5 ³	
38	90016205020	2	SCREW 5X20 ³	

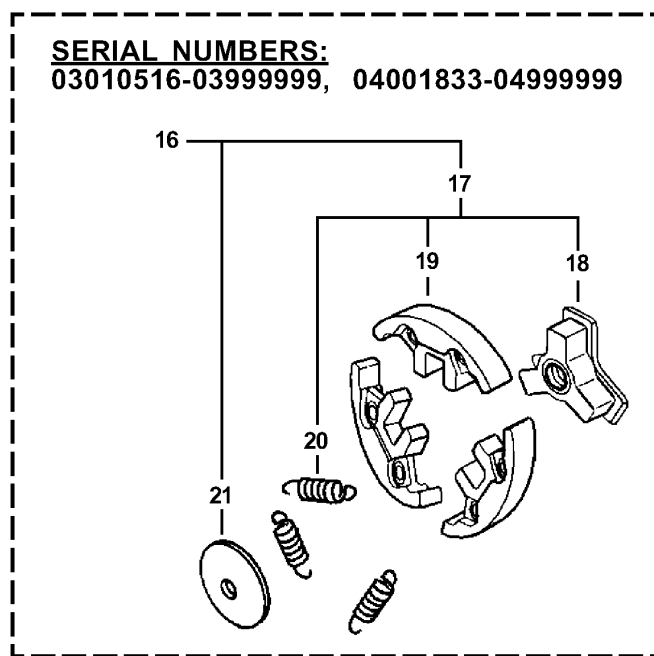
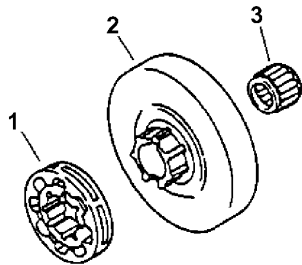
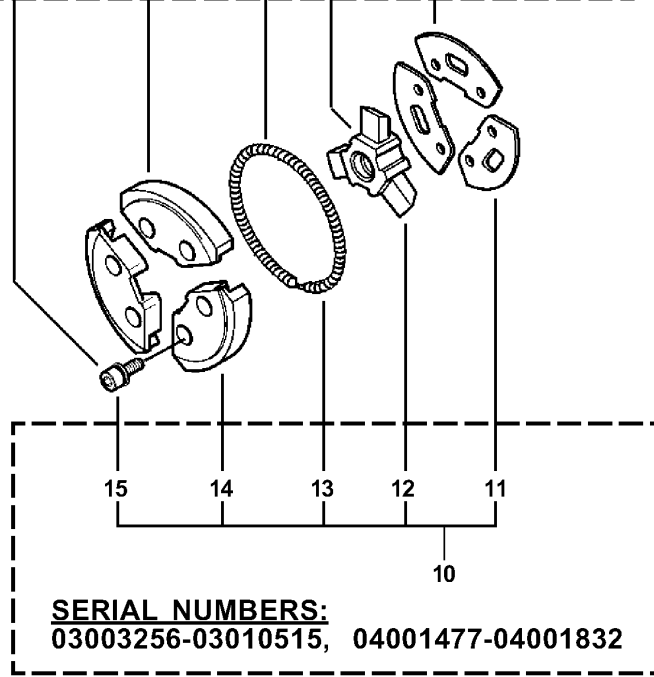
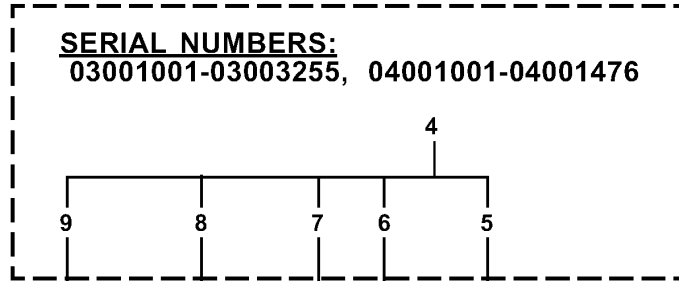
Footnotes

- 1: BULK OPTION: 99944450000
- 2: SERIAL NUMBERS: 03001001-03011691, 04001001-04001904
- 3: SERIAL NUMBERS: 03011692-03999999, 04001905-04999999



CS0002 00 000

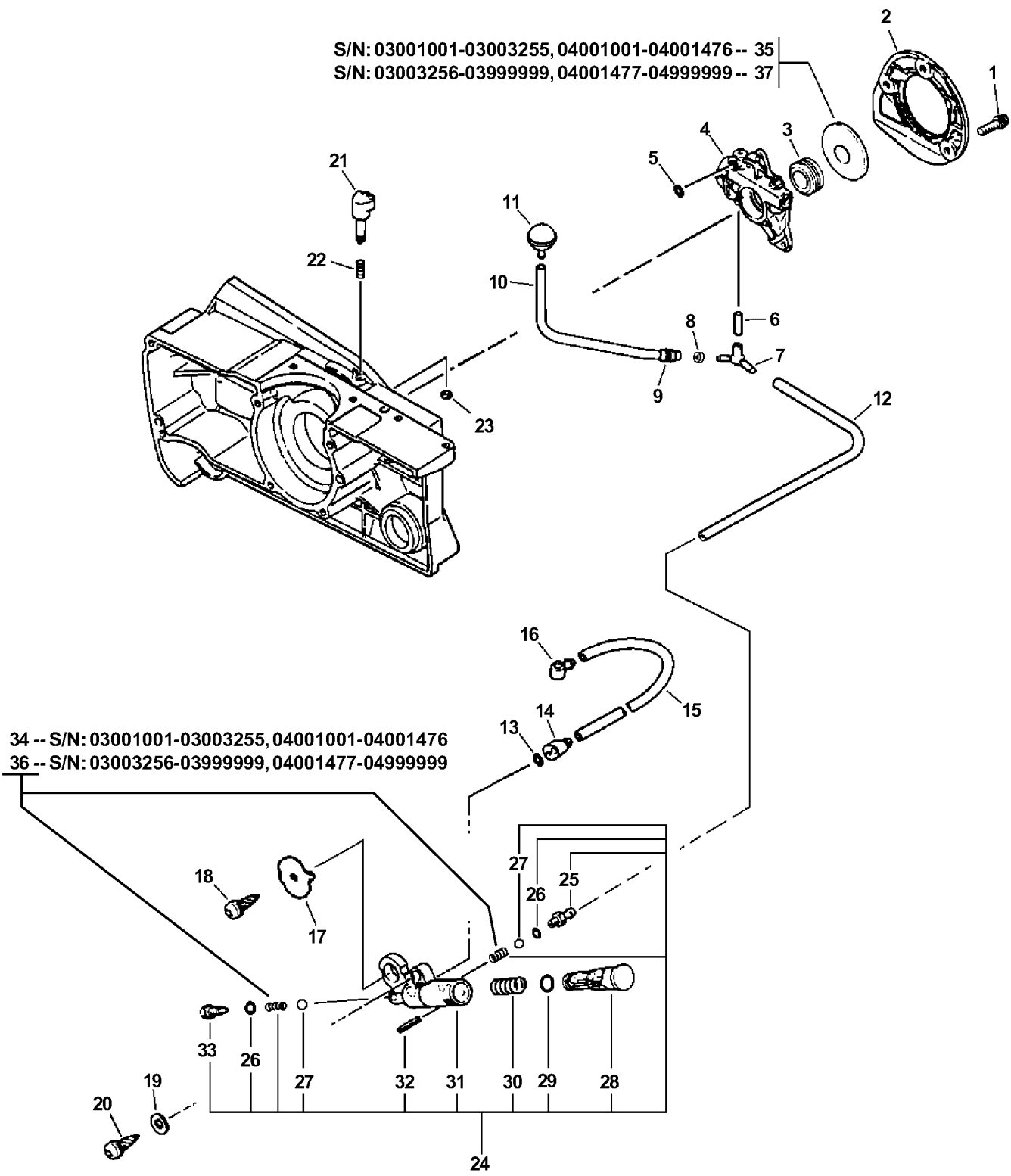
ITEM	PART NUMBER	QTY	DESCRIPTION	REMARKS
1	43320232637	1	CHAIN BRAKE ASY	INCLUDES ITEMS 2-22
2	43310533530	1	LEVER, BRAKE	INCLUDES ITEM 3
3	90033035260	1	PIN 3.5X26	
4	43311438131	1	SPRING	
5	43311337538	1	SCREW KIT	INCLUDES ITEMS 6-9
6	90056200005	1	LOCKNUT	
7	43316739130	1	SPACER	
8	43316739730	1	COLLAR 5	
9	90020905035	1	SCREW	
10	P021002291	1	GUARD, SPROCKET	
11	90022003018	1	SCREW 3X18	
12	43331232630	1	COVER, SEAL	
13	43314235430	1	ADJUSTER, BRAKE	
14	90033040088	1	ROLLER 4X8.8	
15	43312338130	1	BAND, BRAKE	
16	43320835431	1	LEVER, BRAKE BAND	
17	43311635430	1	SPACER 8	
18	43320935430	1	STOPPER, BRAKE	
19	43312238130	1	SPRING, BRAKE	
20	43331038230	1	COVER, BRAKE	
21	90050000003	1	NUT 3	
22	90025204012	2	SCREW 4X12	
23	43301912330	2	FLANGE NUT 8	
24	89011815130	1	LABEL, ECHO	
25	X524000680	1	LABEL	
26	P021002880	1	SPIKED BUMPER KIT	INCLUDES ITEM 27
27	90010505012	2	SCREW 5X12	
28	V203000040	1	BOLT 5	
29	C309000030	1	TENSIONER, CHAIN	
30	V651000010	1	GEAR, BEVEL	
31	V651000000	1	GEAR, BEVEL	
32	V355000270	1	COLLAR 8	
33	C305000040	1	PLATE, GUIDE - OUTER	
34	90024103006	2	SCREW 3X6	
35	90025304010	1	SCREW 4X10	
36	16D0PS3860	1	GUIDE BAR - 16" -- PowerMatch	GAUGE: .050"
37	20D0PS3870	1	GUIDE BAR - 20" -- PowerMatch	GAUGE: .050"
38	24D0PS3881	1	GUIDE BAR - 24" -- PowerMatch	GAUGE: .050"
39	27D0PS3893	1	GUIDE BAR - 27" -- PowerMatch	GAUGE: .050"
40	72V60G	1	SAWING CHAIN - 16" -- Vanguard	GAUGE: .050" / PITCH: .375"
41	72V70G	1	SAWING CHAIN - 20" -- Vanguard	GAUGE: .050" / PITCH: .375"
42	72V81G	1	SAWING CHAIN - 24" -- Vanguard	GAUGE: .050" / PITCH: .375"
43	72V93G	1	SAWING CHAIN - 27" -- Vanguard	GAUGE: .050" / PITCH: .375"
44	2893201	1	KICK GUARD KIT	
45	90024104008	1	SCREW 4X8	
46	43301330830	1	PLATE, GUIDE - INNER	
47	89541006960	1	WRENCH W/SCREWDRIVER	
48	89581203930	1	SCREWDRIVER	
49	89561000130	1	L-WRENCH - 4mm	



ITEM	PART NUMBER	QTY	DESCRIPTION	REMARKS
1	682100	1	SPROCKET, RIM	
2	17510532430	1	DRUM, CLUTCH	
3	17501232430	1	BEARING, NEEDLE	
4	A056000040	1	CLUTCH ASY ¹	INCLUDES ITEMS 5-9
5	A551000030	3	PLATE, CLUTCH ¹	
6	A552000030	1	HUB, CLUTCH ¹	
7	V451000260	1	SPRING, CLUTCH ¹	
8	P021002890	1	CLUTCH SHOE SET ¹	
9	90010504006	6	SCREW 4X6 ¹	
10	A056000041	1	CLUTCH ASY ²	INCLUDES ITEMS 11-15
11	A551000030	3	PLATE, CLUTCH ²	
12	A552000031	1	HUB, CLUTCH ²	
13	V451000260	1	SPRING, CLUTCH ²	
14	P021002890	1	CLUTCH SHOE SET ²	
15	90010504006	6	SCREW 4X6 ²	
16	P021008200	1	CLUTCH ASY ³	INCLUDES ITEMS 17-21
17	A056000050	1	CLUTCH SHOE ASY ³	INCLUDES ITEMS 18-20
18	A552000040	1	HUB, CLUTCH ³	
19	P021007790	1	CLUTCH SHOE SET ³	
20	V451000430	3	SPRING, CLUTCH ³	
21	A551000051	1	PLATE, CLUTCH ³	

Footnotes

- 1: SERIAL NUMBERS: 03001001-03003255, 04001001-04001476
 2: SERIAL NUMBERS: 03003256-03010515, 04001477-04001832
 3: SERIAL NUMBERS: 03010516-03999999, 04001833-04999999

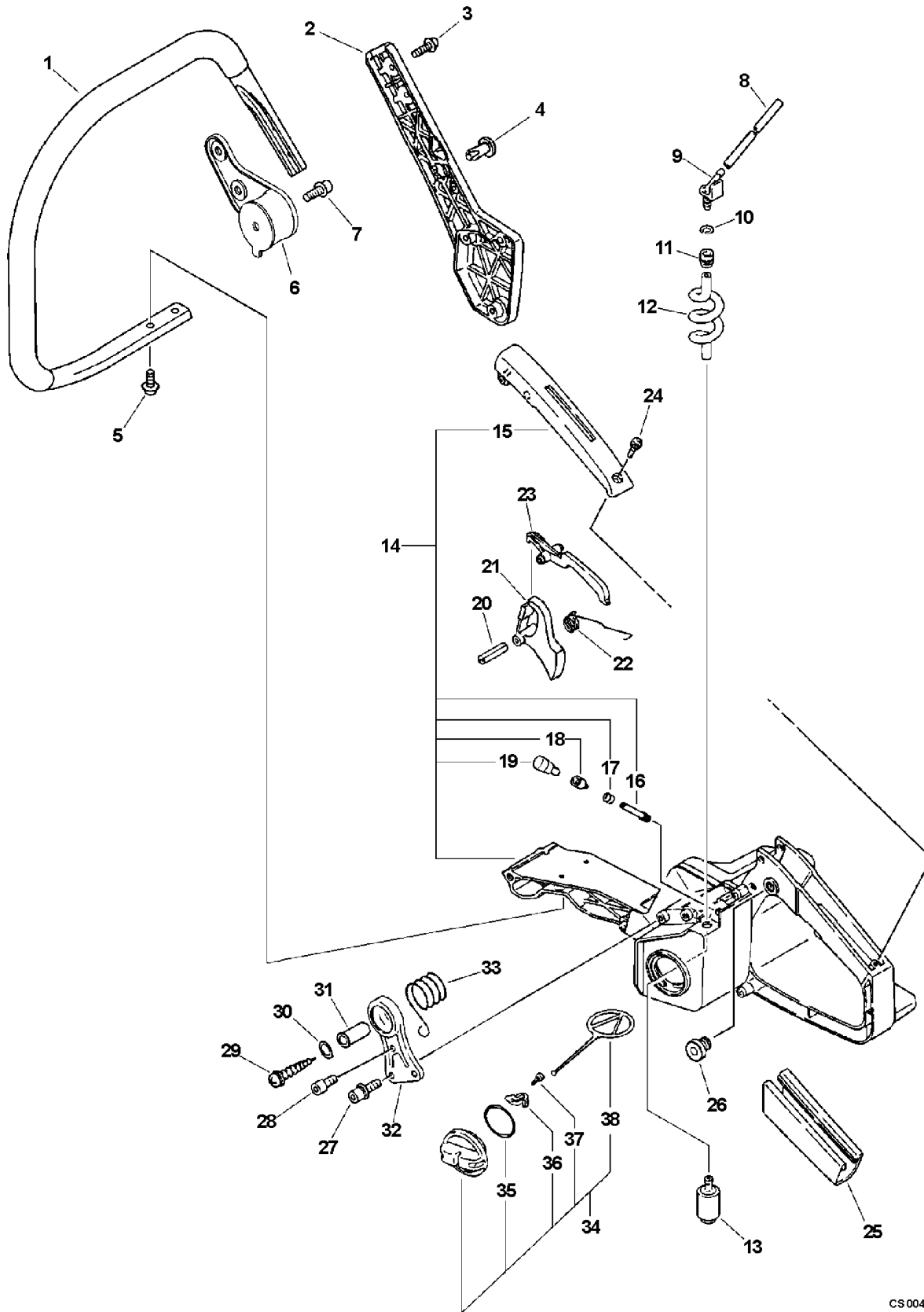


ITEM	PART NUMBER	QTY	DESCRIPTION	REMARKS
1	90016204012	3	SCREW 4X12	
2	43760537630	1	COVER, OIL PUMP	
3	43700419931	1	GEAR, WORM	
4	43700237530	1	AUTO-OILER ASY	
5	90072000003	1	O-RING 3	
6	43721132430	1	PIPE, OIL	
7	43721232430	1	CONNECTOR, PIPE	
8	13201326630	1	CLIP	
9	13211512330	1	GROMMET	
10	43721038330	1	PIPE, OIL	
11	43620514730	1	FILTER, OIL	
12	43721015130	1	PIPE, OIL - 3X6X200mm	REPOWER BULK OPTION: 90015
13	90072000003	1	O-RING 3	
14	43721232630	1	CONNECTOR, PIPE	
15	43721632630	1	PIPE, OIL - 3X6X125	REPOWER BULK OPTION: 90017
16	43723232630	1	CONNECTOR, PIPE	
17	43741319830	1	BRACKET, OIL PUMP	
18	90025204010	1	SCREW 4X10	
19	90060300005	1	WASHER 5	
20	90025205020	1	SCREW 5X20	
21	43703937630	1	KNOB	
22	43701519830	1	SPRING	
23	90070000003	1	E-RING 3	
24	43710038832	1	OIL PUMP ASY	INCLUDES ITEMS 25-37
25	43711819830	1	NIPPLE	
26	43712203430	2	O-RING	
27	43701200330	2	VALVE, BALL	
28	43711238731	1	PISTON, OIL PUMP	
29	90072000007	1	O-RING 7	
30	43711119830	1	SPRING	
31	43711019831	1	BODY, OIL PUMP	
32	90034520016	1	SPRING PIN 2X16	
33	43712110130	1	ADAPTER, OIL PUMP	
34	43701300330	2	SPRING, VALVE ¹	
35	V309000010	1	WASHER 12 ¹	
36	V450000290	2	SPRING, VALVE ²	
37	43706630130	1	WASHER 12 ²	

Footnotes

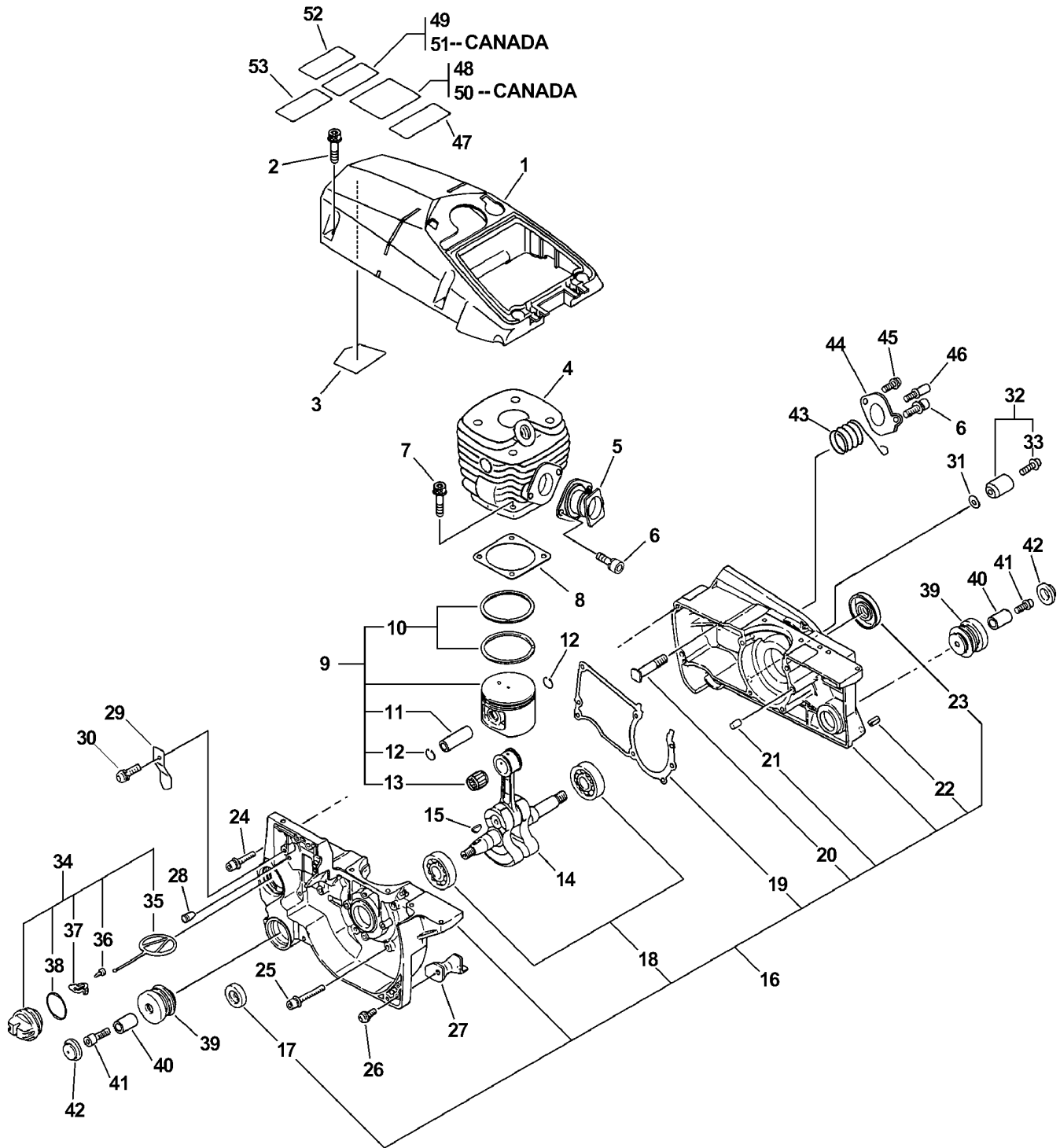
1: SERIAL NUMBERS: 03001001-03003255, 04001001-04001476

2: SERIAL NUMBERS: 03003256-03999999, 04001477-04999999



CS 004300000

ITEM	PART NUMBER	QTY	DESCRIPTION	REMARKS
1	C400000100	1	HANDLE, FRONT	
2	35161638230	1	BRACKET, HANDLE	
3	90023805020	5	SCREW 5X20	
4	V649000010	1	RIVET	
5	90016205014	2	SCREW 5X14	
6	V401000050	1	CUSHION 5	
7	90016205014	1	SCREW 5X14	
8	13201056030	1	PIPE, FUEL - 3X6X110mm	REPOWER BULK OPTION: 90015
9	13201119830	1	CONNECTOR, PIPE	
10	13201326630	1	CLIP	
11	13211501461	1	GROMMET, FUEL	
12	13201030830	1	PIPE, FUEL - SRIRAL	
13	13120519830	1	FILTER, FUEL	
14	35110338131	1	REAR HANDLE ASY	INCLUDES ITEMS 15-19
15	35115535430	1	COVER, HANDLE	
16	13131232430	1	PIPE, VENT	
17	13011100530	1	CLIP	
18	13132840630	1	COVER, VENT	
19	A356000030	1	VENT ASY	
20	90034250025	1	PIN, SPRING - 5X25	
21	C450000040	1	TRIGGER, THROTTLE	
22	17804319830	1	SPRING, THROTTLE RETURN	
23	17809037930	1	LOCKOUT, THROTTLE CONTROL	
24	90023804014	1	SCREW 4X14	
25	35111119830	1	GRIP, HANDLE	
26	V162000040	1	PLUG	
27	90016205014	2	SCREW 5X14	
28	90010505008	1	SCREW 5X8	
29	90010505035	1	SCREW 5X35	
30	90063000005	1	WASHER 6	
31	V353000120	1	COLLAR 5	
32	V419000010	1	BRACKET, CUSHION	
33	V450000150	1	SPRING, COMPRESSION	
34	13100437631	1	CAP ASY	INCLUDES ITEMS 35-38
35	90072020029	1	O-RING 29	
36	13105019830	1	RETAINER, LINK	
37	90024603008	1	SCREW 3X8	
38	A365000050	1	CONNECTOR, CAP	



ITEM	PART NUMBER	QTY	DESCRIPTION	REMARKS
1	A160000210	1	COVER, ENGINE	
2	90016205020	5	SCREW 5X20	
3	V341000010	1	DEFLECTOR, HEAT	
4	A130000170	1	CYLINDER	
5	A202000010	1	BELLOWS, INTAKE	
6	90016205014	3	SCREW 5X14	
7	90016205025	4	SCREW 5X25	
8	10101032431	1	GASKET, CYLINDER	
9	P021002790	1	PISTON KIT	INCLUDES ITEMS 10-13
10	10001132430	2	RING, PISTON	
11	V610000000	1	PIN, PISTON	
12	V580000000	2	RING, END	
13	10001232430	1	BEARING, NEEDLE	
14	A011000130	1	CRANKSHAFT ASY	
15	10014230830	1	KEY, WOODRUFF	
16	10020438133	1	CRANKCASE KIT	INCLUDES ITEMS 17-23
17	10021219830	1	SEAL, OIL	
18	90081036202	2	BEARING, BALL	
19	10024232430	1	GASKET, CRANKCASE	
20	43301119830	2	STUD, GUIDE BAR	
21	10021502830	2	PIN, DOWEL	
22	90034550010	1	PIN, SPRING - 5X10	
23	10021232430	1	OIL SEAL	
24	90016205020	2	SCREW 5X20	
25	90016205035	4	SCREW 5X35	
26	90023805014	1	SCREW 5X14	
27	V401000060	1	CUSHION 5	
28	43611413930	1	VALVE, CHECK	
29	V150000570	1	PLATE, EYE	
30	90024204008	1	SCREW	
31	90060000005	1	WASHER 5	
32	43300019831	1	CHAIN CATCHER KIT	INCLUDES ITEM 33
33	90022005018	1	SCREW 5X18	
34	43600139231	1	CAP ASY	INCLUDES ITEMS 35-38
35	A365000050	1	CONNECTOR, CAP	
36	90024603008	1	SCREW 3X8	
37	13105019830	1	LINK, RETAINER	
38	90072502025	1	O-RING	
39	V420000530	2	CUSHION	
40	V353000110	2	COLLAR 5	
41	90010505025	2	SCREW 5X25	
42	10091819830	2	CAP, CUSHION	
43	V450000150	1	SPRING, COMPRESSION	
44	V150000750	1	PLATE, EYE	
45	90016204008	1	SCREW 4X8	
46	V203000050	1	BOLT 5	
47	89019131731	1	LABEL, KICK BACK WARNING	
48	X524000720	1	LABEL, BAR & CHAIN	
49	89019130131	1	LABEL - KICK BACK	
50	X524000710	1	LABEL, BAR & CHAIN	
51	X505000460	1	LABEL - KICK BACK (FRENCH)	
52	89017639431	1	LABEL - NOISE (ENGLISH/FRENCH)	
53	X505000450	1	LABEL, KICK BACK - ENGLISH	



Part Number Index

Click The Page Number After Any Part Number To View The Diagram Containing That Part.

Part Number	Page	Part Number	Page	Part Number	Page	Part Number	Page
-----	7	17811432630	5	90010505012	11	C400000100	17
10001132430	19	17881033331	5	90010505025	19	C450000040	17
10001232430	19	20D0PS3870	11	90010505035	17	C454000060	5
10014230830	19	24D0PS3881	11	90016204008	19	P003000010	7
10014319830	9	27D0PS3893	11	90016204010	5	P003000030	7
10020438133	19	2893201	11	90016204012	15	P003000040	7
10021219830	19	35110338131	17	90016204020	9	P003000540	7
10021232430	19	351111119830	17	90016205014	5, 9, 17, 19	P003000550	7
10021502830	19	35115535430	17	90016205020	5, 9, 19	P003000560	7
10024232430	19	35161638230	17	90016205025	19	P003000590	7
10091819830	19	43300019831	19	90016205035	19	P003000600	7
10101032431	19	43301119830	19	90020905035	11	P003000610	7
10152132330	9	43301330830	11	90022003018	11	P003000620	7
12311016130	7	43301912330	11	90022005018	19	PO21002291	11
12311403930	7	43310533530	11	90023804014	17	PO21002790	19
12311405260	7	43311337538	11	90023805014	19	PO21002800	5
12311802261	7	43311438131	11	90023805020	17	PO21002811	9
12312032631	7	43311635430	11	90024103006	11	PO21002880	11
12312419830	7	43312238130	11	90024104008	11	PO21002890	13
12312715030	7	43312338130	11	90024204008	9, 19	PO21007790	13
12313002960	7	43314235430	11	90024603008	17, 19	P021008200	13
12313216130	7	43314415130	9	90025204010	15	PO21014560	5
12313232430	7	43316739130	11	90025204012	11	V131000000	5
12313419730	7	43316739730	11	90025205020	15	V150000570	19
12314217330	7	43320232637	11	90025304008	9	V150000750	19
12314926030	7	43320835431	11	90025304010	5, 11	V162000040	17
12315630830	7	43320935430	11	90033030120	5	V203000040	11
12317815030	7	43331038230	11	90033035260	11	V203000050	19
13002033330	5	43331232630	11	90033040088	11	V309000010	15
13011019830	5	43600139231	19	90034250025	17	V341000010	19
13011100530	17	43611413930	19	90034520016	15	V353000110	19
13033832430	5	43620514730	15	90034550010	19	V353000120	17
13100437631	17	43700237530	15	90050000003	11	V353000191	9
13105019830	17, 19	43700419931	15	90050000008	9	V355000270	11
13120519830	17	43701200330	15	90056200005	11	V401000050	17
13131232430	17	43701300330	15	90060000005	19	V401000060	19
13132840630	17	43701519830	15	90060300005	9, 15	V419000010	17
13201030830	17	43703937630	15	90063000005	17	V420000320	5
13201056030	17	43706630130	15	90070000003	15	V420000530	19
13201119830	17	43710038832	15	90072000003	15	V420000540	5
13201326630	15, 17	43711019831	15	90072000007	15	V450000150	17, 19
13211501461	17	43711119830	15	90072020029	17	V450000290	15
13211512330	15	43711238731	15	90072502025	19	V451000190	5
14551032431	5	43711819830	15	90081036202	19	V451000260	13
14561032430	5	43712110130	15	9110705050	5	V451000430	13
14571132430	5	43712203430	15	A011000130	19	V453000040	5
14581331730	5	43721015130	15	A021000290	5, 7	V580000000	19
14586232630	5	43721038330	15	A056000040	13	V610000000	19
15061132430	9	43721132430	15	A056000041	13	V649000010	17
15660132631	9	43721232430	15	A056000050	13	V651000000	11
15663532430	5	43721232630	15	A130000170	19	V651000010	11
15680032631	9	43721632630	15	A160000210	19	X503002460	5
15901010230	9	43723232630	15	A161000020	9	X503002470	5
15901716431	9	43741319830	15	A172000130	9	X505000450	19
16202132430	5	43760537630	15	A202000010	19	X505000460	19
16340032430	5	682100	13	A204000020	5	X524000680	11
16D0PS3860	11	72V60G	11	A226000070	5	X524000710	19
17501232430	13	72V70G	11	A232000070	5	X524000720	19
17510532430	13	72V81G	11	A235000050	5		
17721532330	9	72V93G	11	A238000030	5		
17721832630	9	89011815130	11	A241000030	5		
17721832631	9	89011817930	9	A313000280	5		
17722002834	9	89015719830	5	A356000030	17		
17722102830	9	89015731730	5	A365000050	17, 19		
17722107060	9	89017639431	19	A426000010	9		
17722607060	9	89019130131	19	A427000010	9		
17722707060	9	89019131731	19	A551000030	13		
17722830830	9	89032439630	5	A551000051	13		
17723419830	9	89541006960	11	A552000030	13		
17723419832	9	89561000130	11	A552000031	13		
17724719830	9	89581203930	11	A552000040	13		
17804319830	17	90010504006	13	C305000040	11		
17809037930	17	90010505008	17	C309000030	11		



Part Description Index

Click The Page Number After Any Part Description To View The Diagram Containing That Part.

A

ADAPTER, OIL PUMP.....15
 ADJUSTER, BRAKE.....11
 AUTO-OILER ASY.....15

B

BAND, BRAKE.....11
 BEARING, BALL.....19
 BEARING, NEEDLE.....13, 19
 BELLOWS, INTAKE.....19
 BODY, CARBURETOR -- NOT AVAILABLE SEPARATELY.....7
 BODY, OIL PUMP.....15
 BOLT 5.....11, 19
 BOLT, FLANGE.....5
 BRACKET, CUSHION.....17
 BRACKET, HANDLE.....17
 BRACKET, MUFFLER.....5
 BRACKET, OIL PUMP.....15

C

CAP ASY.....17, 19
 CAP, CUSHION.....19
 CAP, MIXTURE LIMITER.....7
 CAP, SPARK PLUG.....9
 CARBURETOR -- HD-203.....5, 7
 CASE, CARBURETOR.....5
 CHAIN BRAKE ASY.....11
 CHAIN CATCHER KIT.....19
 CIRCLIP.....7
 CLIP.....15, 17
 CLUTCH ASY.....13
 CLUTCH SHOE ASY.....13
 CLUTCH SHOE SET.....13
 COIL, IGNITION.....9
 COLLAR 5.....11, 17, 19
 COLLAR 8.....11
 CONNECTOR, CAP.....17, 19
 CONNECTOR, PIPE.....15, 17
 COVER, BRAKE.....11
 COVER, ENGINE.....19
 COVER, FAN.....9
 COVER, FUEL PUMP.....7
 COVER, HANDLE.....17
 COVER, METERING DIAPHRAGM.....7
 COVER, MUFFLER.....5
 COVER, OIL PUMP.....15
 COVER, SEAL.....11
 COVER, VENT.....17
 CRANKCASE KIT.....19
 CRANKSHAFT ASY.....19
 CUSHION.....5, 19
 CUSHION 5.....17, 19
 CYLINDER.....19

D

DEFLECTOR, HEAT.....19
 DIAPHRAGM, FUEL PUMP.....7
 DIAPHRAGM, METERING.....7
 DIAPHRAGM/GASKET KIT.....7
 DRUM, CLUTCH.....13
 DRUM, STARTER.....9
 DUCT, AIR.....9

E

ELBOW, CARBURETOR.....5
 E-RING 3.....15

F

FAN, COOLING.....9
 FILTER, AIR.....5
 FILTER, FUEL.....17
 FILTER, OIL.....15
 FLANGE NUT 8.....11
 FLYWHEEL.....9

G

GASKET, CRANKCASE.....19
 GASKET, CYLINDER.....19
 GASKET, FUEL PUMP.....7
 GASKET, METERING DIAPHRAGM.....7
 GASKET, MUFFLER.....5
 GEAR, BEVEL.....11
 GEAR, WORM.....15
 GRIP, HANDLE.....17
 GRIP, STARTER.....9
 GROMMET.....15
 GROMMET, CHOKE.....5
 GROMMET, FUEL.....17
 GROMMET, NEEDLE.....5
 GUARD, SPROCKET.....11
 GUIDE BAR - 16" -- PowerMatch.....11
 GUIDE BAR - 20" -- PowerMatch.....11
 GUIDE BAR - 24" -- PowerMatch.....11
 GUIDE BAR - 27" -- PowerMatch.....11
 GUIDE, EXHAUST.....5
 GUIDE, ROPE.....9

H

HANDLE, FRONT.....17
 HOLDER, ELEMENT.....5
 HOLDER, THROTTLE LEVER.....5
 HUB, CLUTCH.....13

I

INSULATOR, INTAKE.....5

K

KEY, WOODRUFF.....19
 KICK GUARD KIT.....11
 KNOB.....15

L

LABEL.....11
 LABEL - KICK BACK.....19
 LABEL - KICK BACK (FRENCH).....19
 LABEL - MODEL -- CS-670.....5
 LABEL - NOISE (ENGLISH/FRENCH).....19
 LABEL, BAR & CHAIN.....19
 LABEL, CAUTION.....5
 LABEL, ECHO.....9, 11
 LABEL, KICK BACK - ENGLISH.....19
 LABEL, KICK BACK WARNING.....19
 LABEL, SWITCH.....5
 LATCH, AIR CLEANER LID.....5
 LEAD.....5

LEVER, BRAKE.....11
 LEVER, BRAKE BAND.....11
 LEVER, CHOKE.....7
 LEVER, FAST IDLE.....7
 LEVER, METERING.....7
 LID, AIR CLEANER.....5
 LINK, RETAINER.....19
 LOCKNUT.....11
 LOCKOUT, THROTTLE CONTROL.....17
 LUG, GROUND.....5
 L-WRENCH - 4mm.....11

M

MUFFLER.....5

N

NEEDLE - HIGH SPEED.....7
 NEEDLE - LOW SPEED.....7
 NIPPLE.....15
 NUT.....5
 NUT 3.....11
 NUT 8.....9

O

OIL PUMP ASY.....15
 OIL SEAL.....19
 O-RING.....15, 19
 O-RING 29.....17
 O-RING 3.....15
 O-RING 7.....15

P

PAWL, STARTER.....9
 PIN.....5
 PIN 3.5X26.....11
 PIN, DOWEL.....19
 PIN, METERING LEVER.....7
 PIN, PISTON.....19
 PIN, SPRING - 5X10.....19
 PIN, SPRING - 5X25.....17
 PIPE, FUEL - 3X6X110mm.....17
 PIPE, FUEL - SRIRAL.....17
 PIPE, IMPULSE.....5
 PIPE, OIL.....15
 PIPE, OIL - 3X6X125.....15
 PIPE, OIL - 3X6X200mm.....15
 PIPE, VENT.....17
 PISTON KIT.....19
 PISTON, OIL PUMP.....15
 PLATE, CLUTCH.....13
 PLATE, EYE.....19
 PLATE, GUIDE - INNER.....11
 PLATE, GUIDE - OUTER.....11
 PLATE, STARTER.....9
 PLUG.....17
 PLUG, COVER.....5
 PLUG, CUP.....7
 PLUG, WELCH.....7
 PLUG, FRICTION.....7

R

REAR HANDLE ASY.....17
 REPAIR KIT.....7
 RETAINER, BRAKE BAND.....9



Part Description Index (continued)

RETAINER, LINK.....17
 RING, END.....19
 RING, PISTON.....19
 RING, RETAINING.....7
 RIVET.....17
 ROD, CHOKE.....5
 ROD, THROTTLE.....5
 ROLLER 4X8.8.....11
 ROPE, STARTER - 4mmX900mm.....9

S

SAWING CHAIN - 16" -- Vanguard.....11
 SAWING CHAIN - 20" -- Vanguard.....11
 SAWING CHAIN - 24" -- Vanguard.....11
 SAWING CHAIN - 27" -- Vanguard.....11
 SCREEN.....7
 SCREEN, INLET.....7
 SCREEN, MUFFLER.....5
 SCREW.....7, 9, 11, 19
 SCREW 3X18.....11
 SCREW 3X6.....11
 SCREW 3X8.....17, 19
 SCREW 4X10.....5, 11, 15
 SCREW 4X12.....11, 15
 SCREW 4X14.....17
 SCREW 4X20.....9
 SCREW 4X6.....13
 SCREW 4X8.....9, 11, 19
 SCREW 5X12.....11
 SCREW 5X14.....5, 9, 17, 19
 SCREW 5X18.....19
 SCREW 5X20.....5, 9, 15, 17, 19
 SCREW 5X25.....19
 SCREW 5X35.....17, 19
 SCREW 5X8.....17
 SCREW KIT.....11
 SCREW, CHOKE LEVER.....7
 SCREW, CHOKE VALVE.....7
 SCREW, IDLE ADJUST.....7
 SCREW, METERING DIAPHRAGM COVER.....7
 SCREW, METERING LEVER PIN.....7
 SCREW, PUMP COVER.....7
 SCREW, THROTTLE STOP.....7
 SCREWDRIVER.....11
 SEAL, OIL.....19
 SHAFT, CHOKE.....7
 SHAFT, THROTTLE.....7
 SPACER.....11
 SPACER 8.....11
 SPACER, RATCHET.....9
 SPARK PLUG -- BPMR-7A.....9
 SPARK PLUG -- CJ-6Y.....9
 SPIKED BUMPER KIT.....11
 SPRING.....11, 15
 SPRING PIN 2X16.....15
 SPRING, BRAKE.....11
 SPRING, CHOKE RETURN.....7
 SPRING, CLUTCH.....13
 SPRING, COMPRESSION.....17, 19
 SPRING, FLAT.....5
 SPRING, IDLE ADJUST.....7
 SPRING, METERING LEVER.....7
 SPRING, RETURN.....9
 SPRING, REWIND.....9
 SPRING, TENSION.....5
 SPRING, THROTTLE RETURN.....7, 17
 SPRING, VALVE.....15
 SPROCKET, RIM.....13

STARTER ASY.....9
 STOP,THROTTLE.....7
 STOPPER, BRAKE.....11
 STUD, GUIDE BAR.....19
 SWITCH,IGNITION.....5

T

TENSIONER, CHAIN.....11
 TERMINAL, SPARK PLUG CAP.....9
 TRIGGER, THROTTLE.....17
 TUBE.....9

V

VALVE, BALL.....15
 VALVE, CHECK.....19
 VALVE, CHOKE.....7
 VALVE, INLET NEEDLE.....7
 VALVE, THROTTLE.....7
 VENT ASY.....17

W

WASHER.....7, 9
 WASHER 12.....15
 WASHER 5.....9, 15, 19
 WASHER 6.....17
 WRENCH W/SCREWDRIVER.....11

NOTES



ECHO, INCORPORATED

400 Oakwood Road
Lake Zurich, IL 60047 USA

WWW.ECHO-USA.COM
